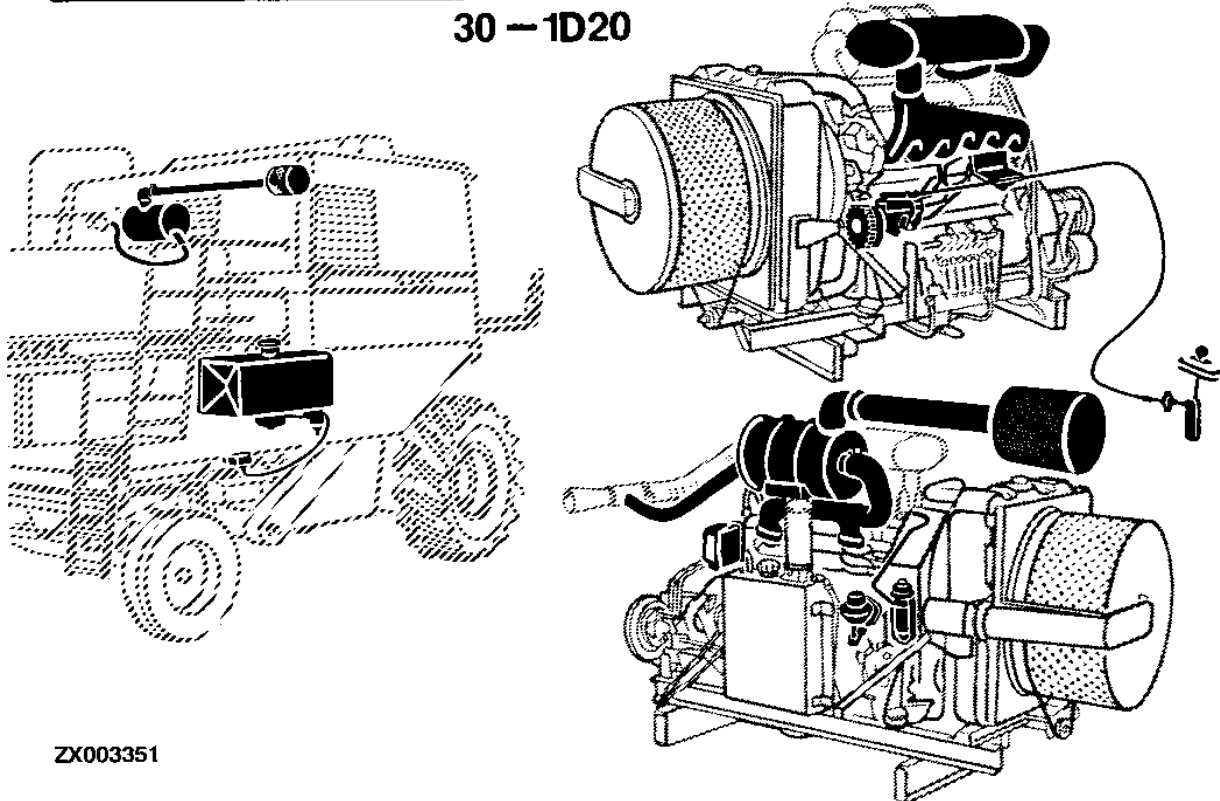
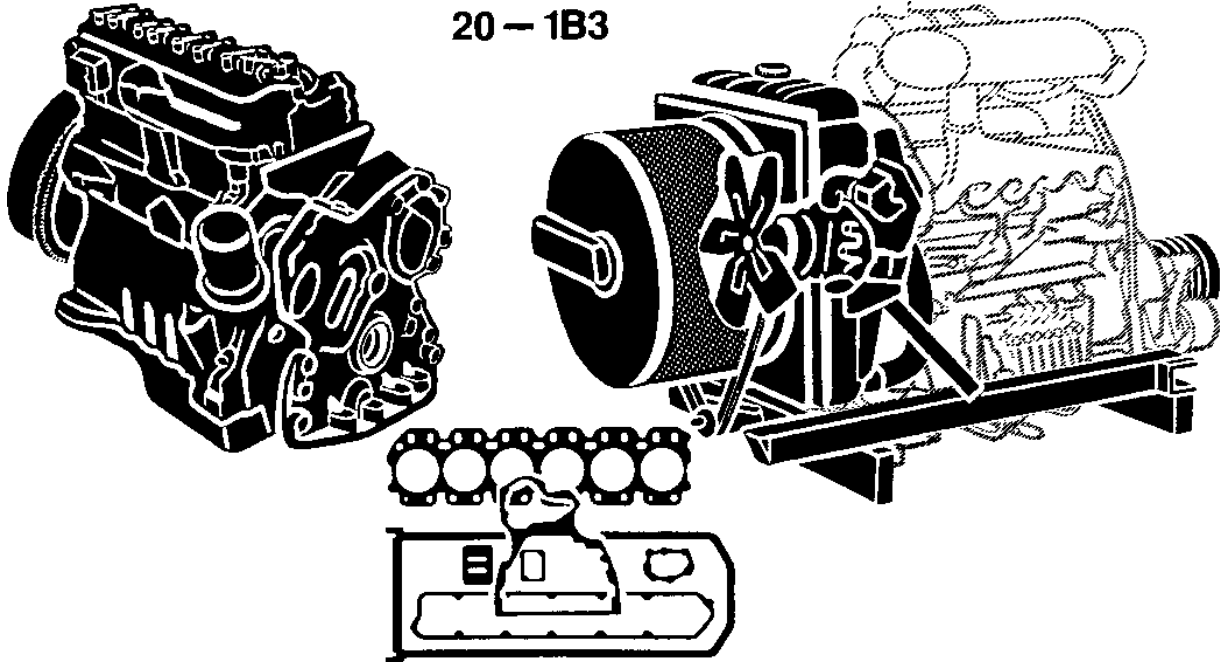


1A2

4435 AND 4435 HYDRO COMBINES

PRIMARY PICTORIAL INDEX

ZX003351 -UN-01JAN94



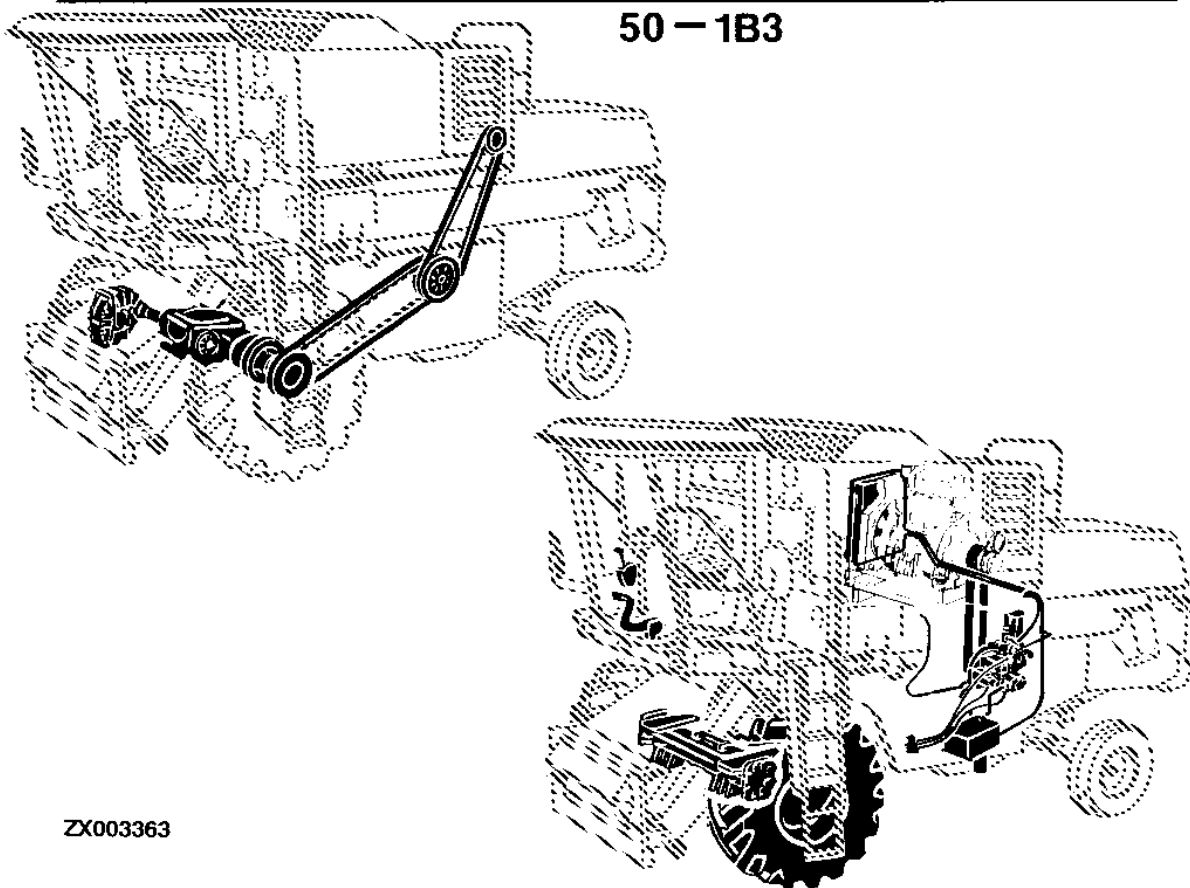
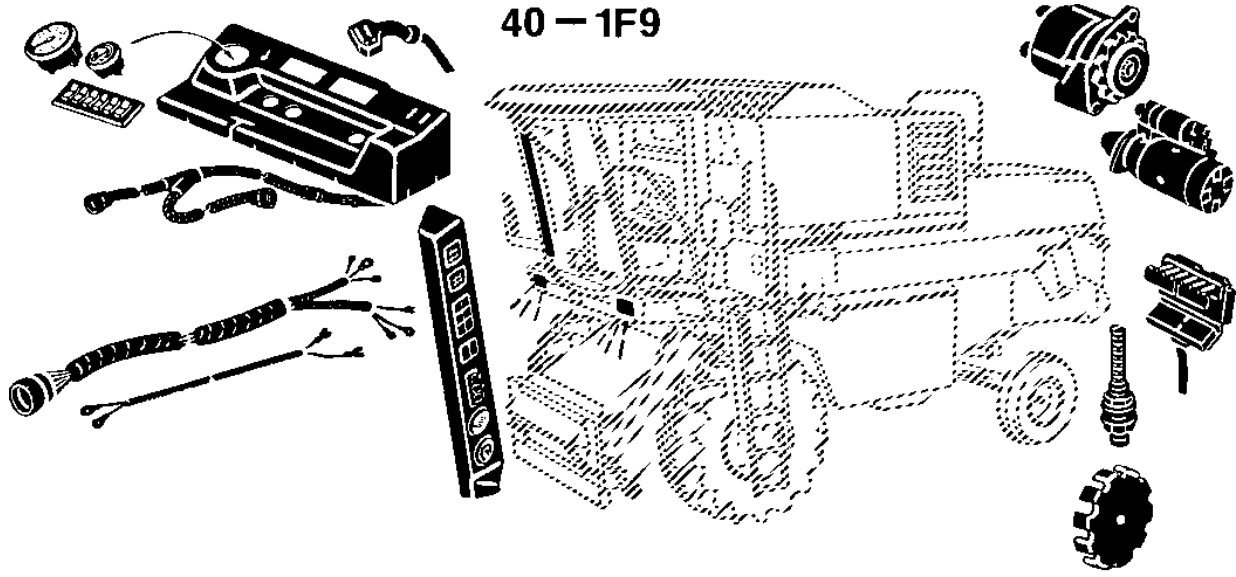
ZX003351

1A3

4435 AND 4435 HYDRO COMBINES

PRIMARY PICTORIAL INDEX

ZX003363 -UN-01JAN94



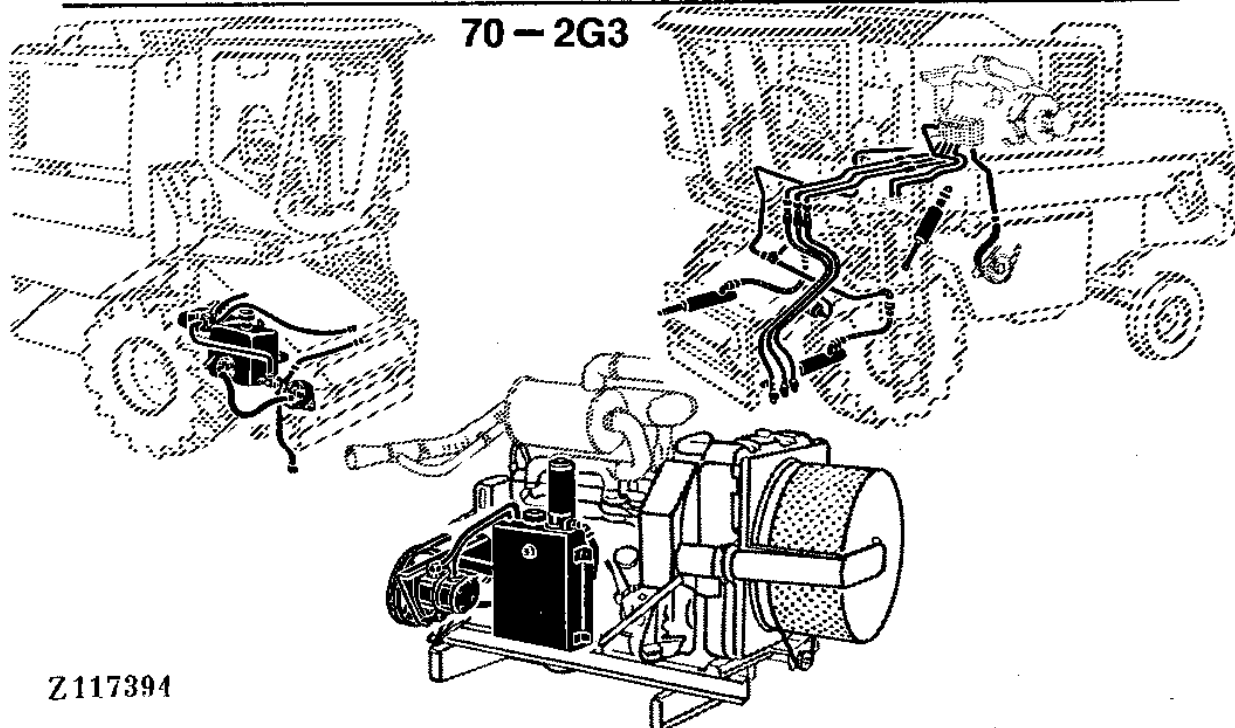
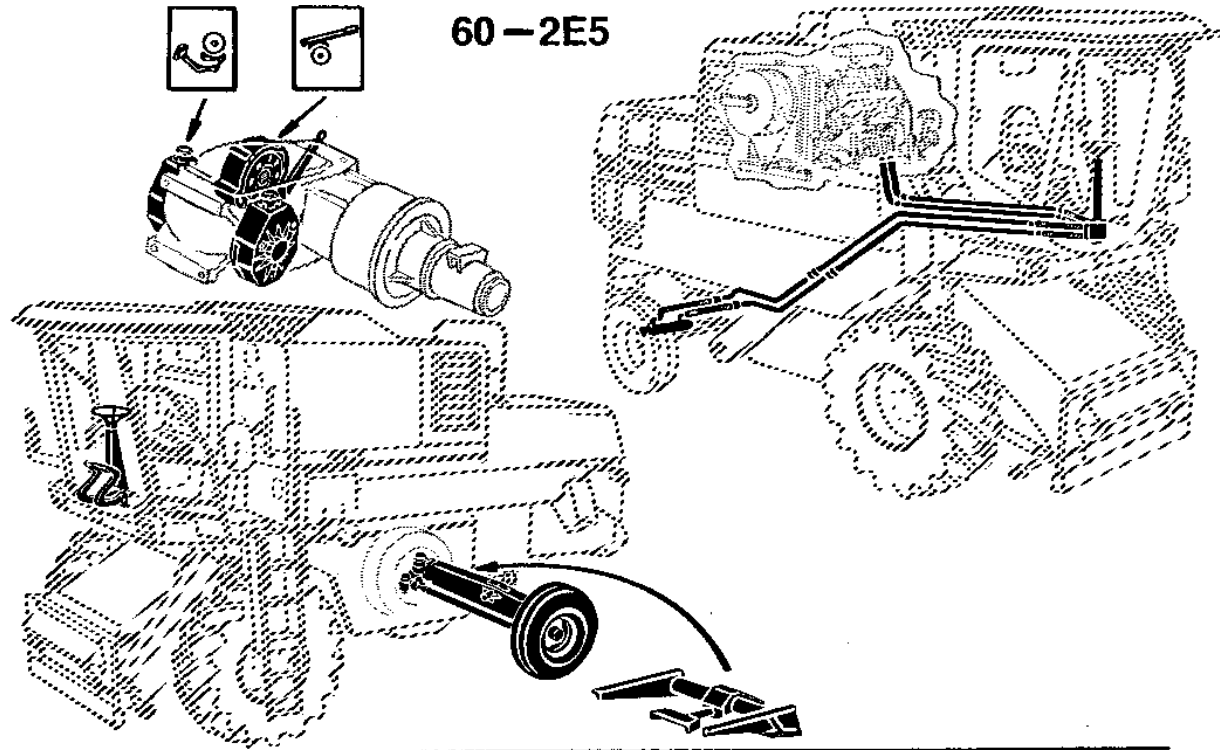
ZX003363

1A4

4435 AND 4435 HYDRO COMBINES

PRIMARY PICTORIAL INDEX

Z117394 -UN-01JAN94



Z117394

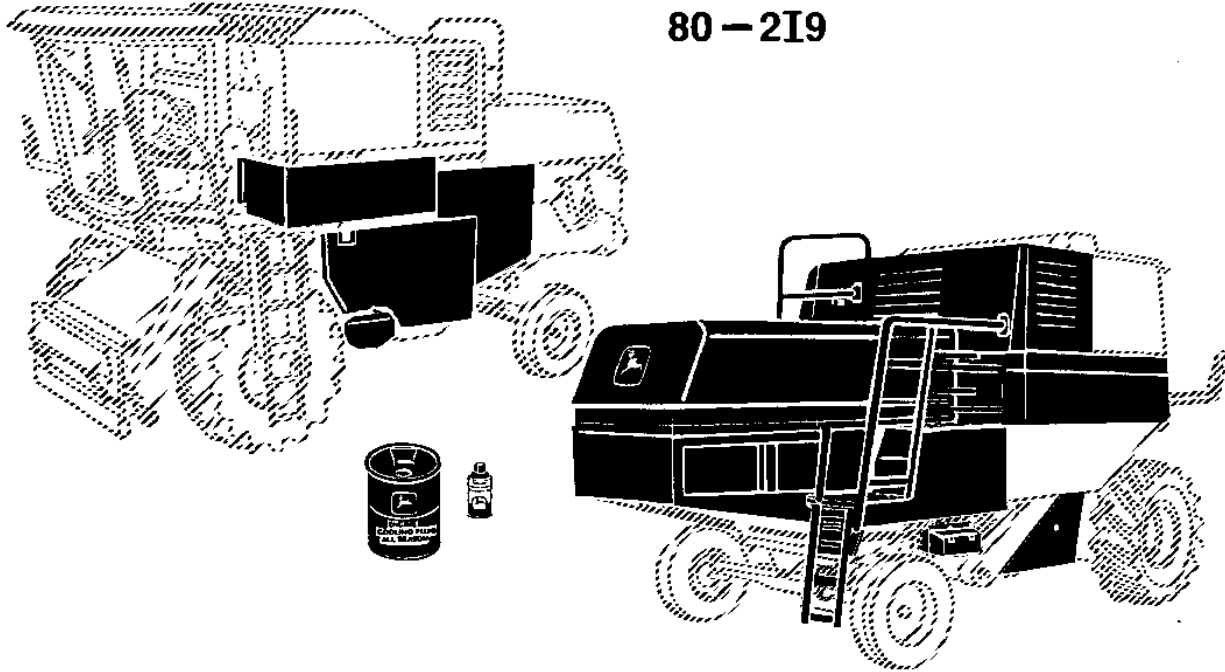
1A5

4435 AND 4435 HYDRO COMBINES

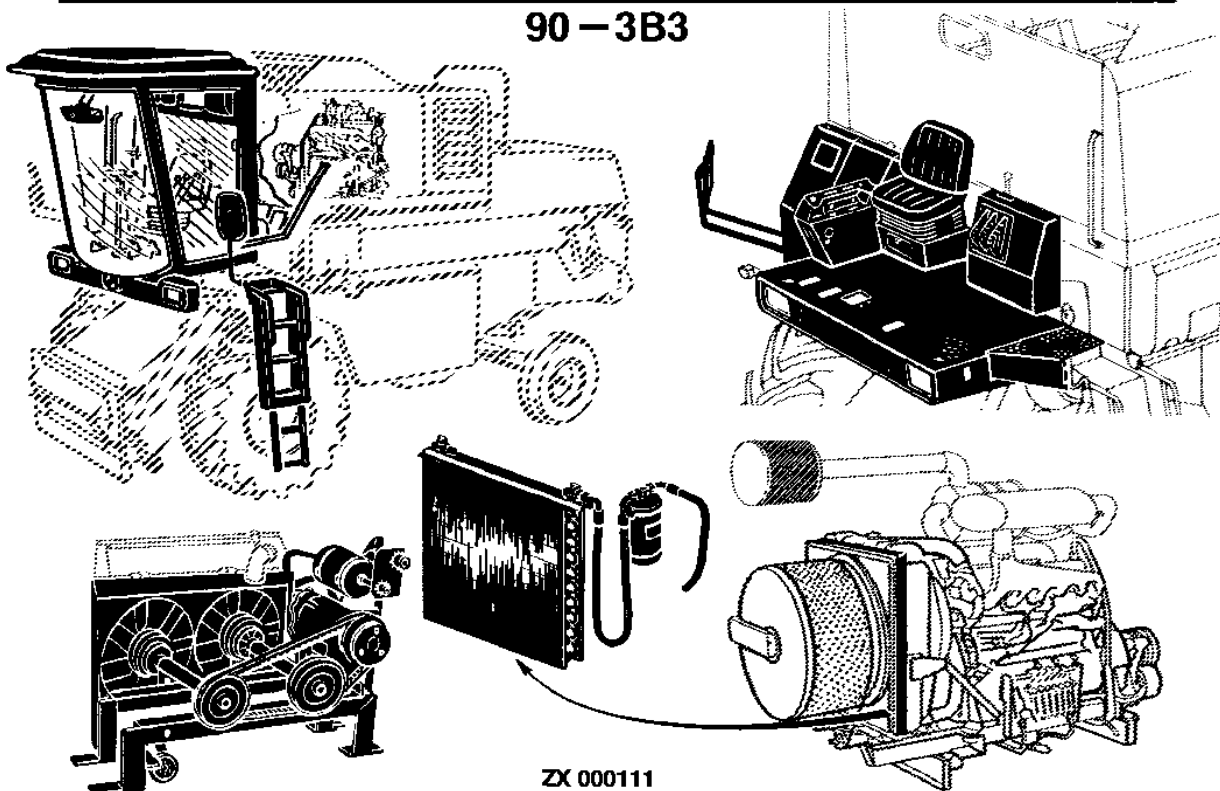
PRIMARY PICTORIAL INDEX

ZX000111 -UN-02AUG96

80-219



90-3B3



ZX 000111

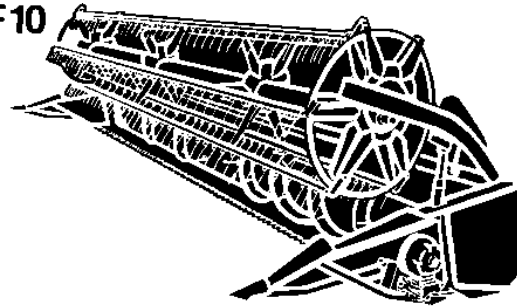
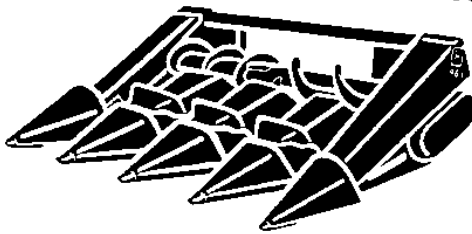
1A6

4435 AND 4435 HYDRO COMBINES

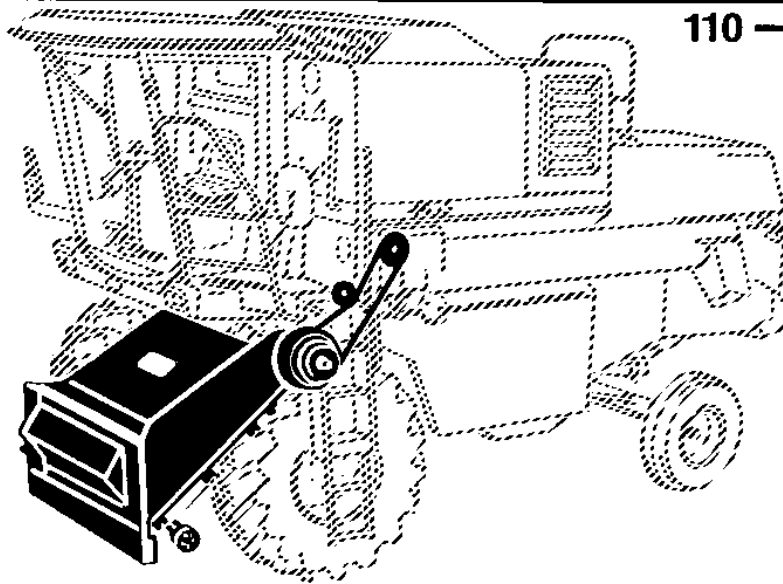
PRIMARY PICTORIAL INDEX

ZX003364 -UN-01JAN94

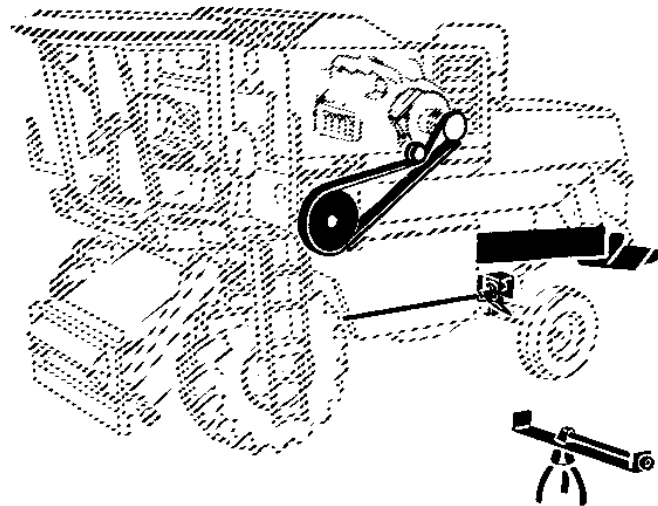
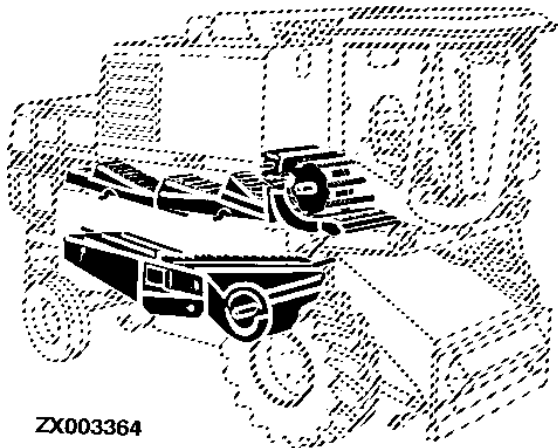
100 - 3F10



110 - 3F12



120 - 4B3



ZX003364

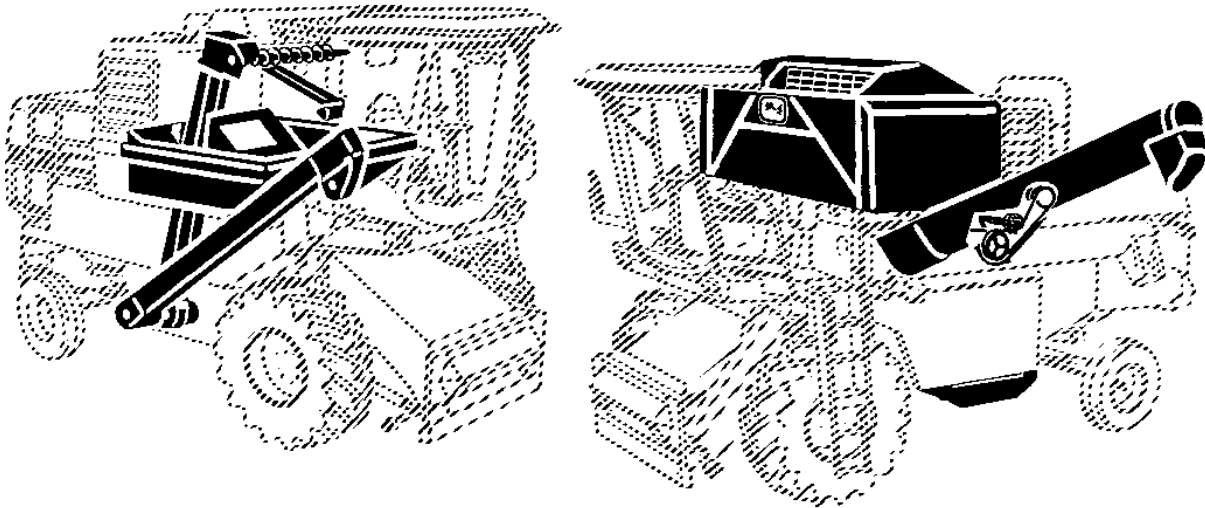
1A7

4435 AND 4435 HYDRO COMBINES

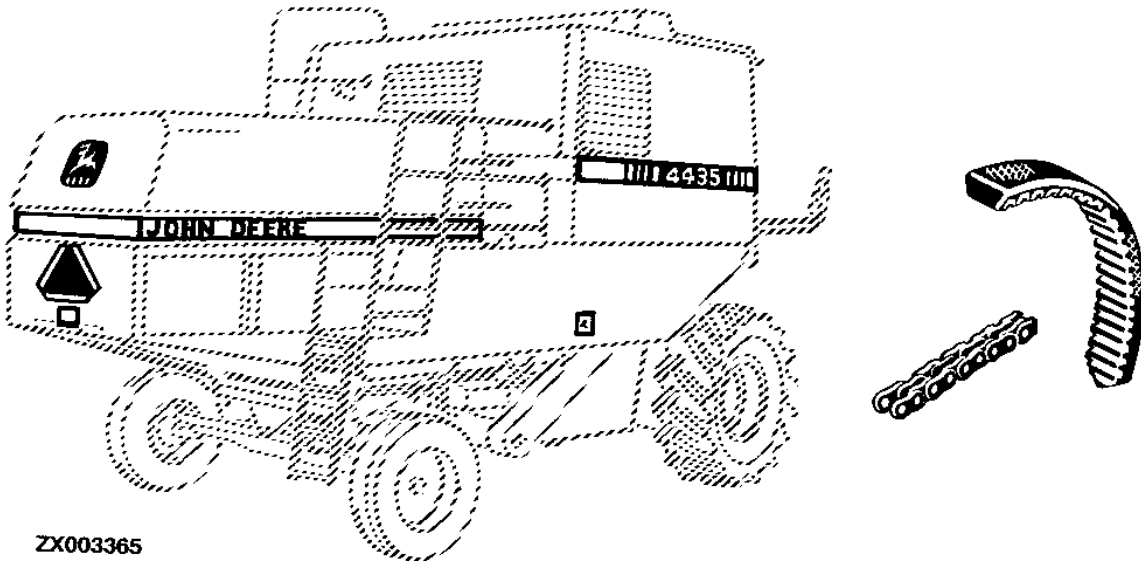
PRIMARY PICTORIAL INDEX

ZX003365 -UN-02FEB94

130 - 4F21



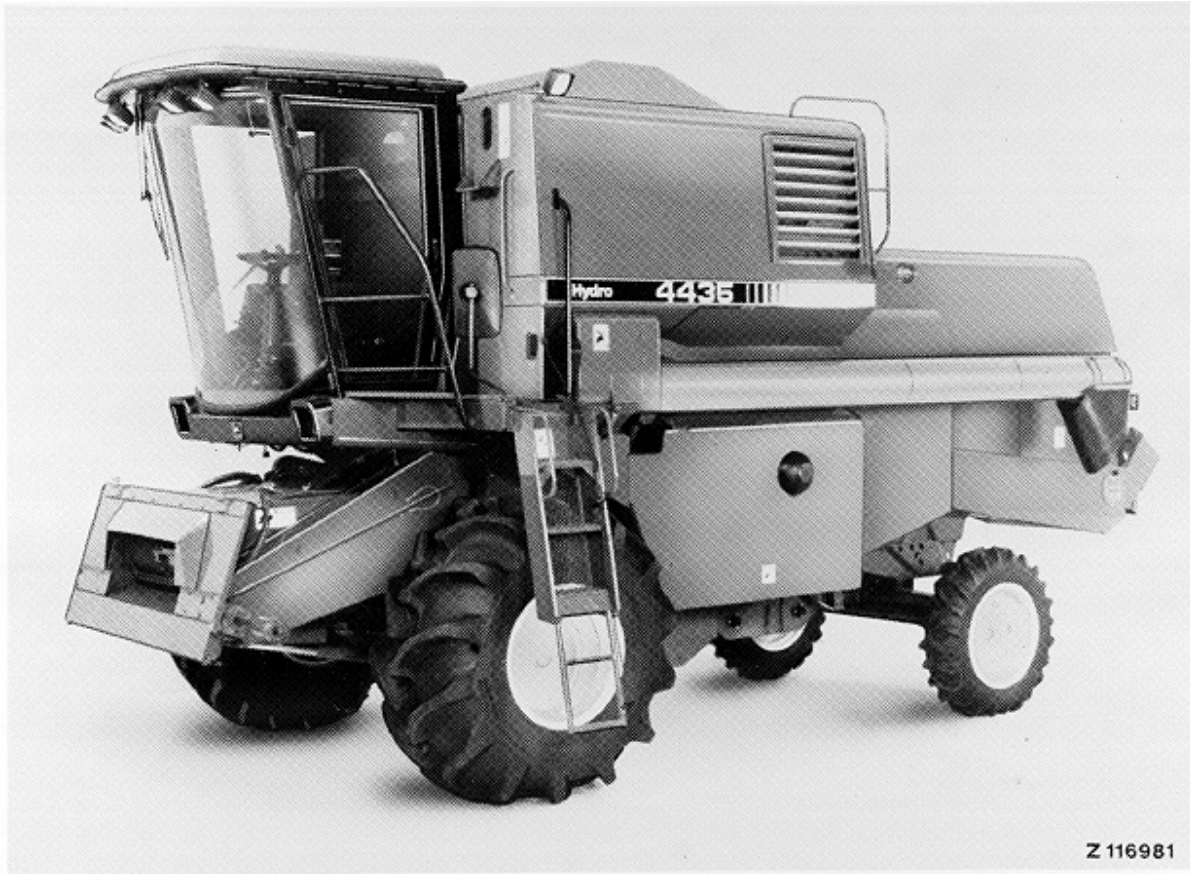
150 - 4I17



1A8

4435 AND 4435 HYDRO COMBINES

Z116981 -UN-01JAN94



JOHN DEERE 4435 HYDRO COMBINE

(SPECIFICATIONS AND DESIGN SUBJECT TO CHANGE WITHOUT NOTICE)

1A9

4435 AND 4435 HYDRO COMBINES

NOTE

FOR 900 SERIES PLATFORM PARTS INFORMATION, REFER TO JOHN DEERE 900 SERIES PLATFORM PARTS CATALOG - PC-2104.

FOR 40 SERIES CORN HEAD PARTS INFORMATION, REFER TO JOHN DEERE 40 SERIES CORN HEAD PARTS CATALOG - PC-1223.

FOR 50A SERIES ROW-CROP HEAD PARTS INFORMATION, REFER TO JOHN DEERE 50A SERIES ROW-CROP HEAD PARTS CATALOG - PC-1747.

FOR 912 THREE-ROLLER BELT PICKUP PARTS INFORMATION, REFER TO JOHN DEERE THREE-ROLLER BELT PICKUP PARTS CATALOG - PC-2210.

IMPORTANT

THIS PARTS CATALOG CONTAINS PARTS INFORMATION FOR THE 4435 AND 4435 HYDRO COMBINES. VINTAGE IS DETERMINED BY THE COMBINE SERIAL NUMBER OR THE PRODUCT IDENTIFICATION NUMBER (PIN). IT IS IMPORTANT THAT THE CORRECT NUMBERS BE USED WHEN ORDERING PARTS.

1A10

4435 AND 4435 HYDRO COMBINES

SERIAL NUMBER AND PRODUCT IDENTIFICATION NUMBER (PIN) PLATES

USE ALL NUMBERS, LETTERS AND SPACES SHOWN ON THE SERIAL NUMBER PLATE OR THE PRODUCT IDENTIFICATION NUMBER PLATE IN WARRANTY CORRESPONDENCE.

PRODUCT IDENTIFICATION NUMBER PLATE

THE PRODUCT IDENTIFICATION NUMBER PLATE (PIN) IS LOCATED ON THE RIGHT-HAND SIDE OF THE OPERATOR'S PLATFORM. AN EXAMPLE OF THIS PIN PLATE IS:

Z04435X051530

Z0 - MANUFACTURING UNIT (ZWEIBRUECKEN WORKS)
4435 - MODEL IDENTIFIER
X - CONFIGURATION CODE/MODEL IDENTIFIER SUFFIX
051530 - SEQUENTIAL NUMBER USED IN SERIAL NO. COLUMN

1A11

4435 AND 4435 HYDRO COMBINES

ENGINE SERIAL NUMBER

THE ENGINE SERIAL NUMBER PLATE IS LOCATED ON THE RIGHT-HAND SIDE OF THE ENGINE BLOCK, NEAR THE MECHANICAL FUEL TRANSFER PUMP.

AN EXAMPLE OF THE ONE-LINE, SIXTEEN-DIGIT NUMBER ON THIS SERIAL NUMBER PLATE IS:

6359DZ004805773CD

6 - NUMBER OF CYLINDERS
359 - CUBIC INCH DISPLACEMENT
D - FUEL TYPE OF ENGINE (DIESEL)
Z - MANUFACTURING UNIT OF MACHINE (ZWEIBRUECKEN WORKS)
004 - ENGINE VERSION
805773 - ENGINE SERIAL NUMBER
CD - MANUFACTURING UNIT OF ENGINE (SARAN WORKS)

AN EXAMPLE OF THE TWO-LINE NUMBER ON THIS SERIAL NUMBER PLATE IS:

CD6359D805773
6359DZ004

(FIRST LINE)

CD - MANUFACTURING UNIT (SARAN WORKS)
6 - NUMBER OF CYLINDERS
359 - CUBIC INCH DISPLACEMENT
D - CONFIGURATION CODE/MODEL IDENTIFIER SUFFIX
805773 - SEQUENTIAL NUMBER USED IN SERIAL NO. COLUMN

(SECOND LINE)

6 - NUMBER OF CYLINDERS
359 - CUBIC INCH DISPLACEMENT
D - FUEL TYPE OF ENGINE (DIESEL)
Z - MANUFACTURING UNIT OF MACHINE (ZWEIBRUECKEN WORKS)
004 - ENGINE VERSION

PARTS LISTING INFORMATION

SERIAL NUMBER OR PRODUCT IDENTIFICATION NUMBER (PIN) INFORMATION SHOWS ON WHICH MACHINES A PART MAY BE USED. FOR EXAMPLE:

- THE PART CAN BE USED ON ALL MACHINES.
- 000000 THE PART CAN BE USED ON ALL MACHINES UP TO AND INCLUDING THE SERIAL NUMBER LISTED.
- 000000- THE PART CAN BE USED ON ALL MACHINES BEGINNING WITH THE SERIAL NUMBER LISTED.
- 000000-000000 THE PART CAN BE USED ON ALL MACHINES BETWEEN AND INCLUDING THE SERIAL NUMBERS LISTED.

WHEN XXXXXX'S ARE LISTED IN PLACE OF A SERIAL NUMBER, A SERIAL NUMBER CHANGE WAS MADE, BUT THE EXACT SERIAL NUMBER WAS NOT AVAILABLE WHEN THE CATALOG WAS PRINTED.

1A12

4435 AND 4435 HYDRO COMBINES

DIRECTION ARROW

ARROWS ARE USED WITH ILLUSTRATIONS TO INDICATE THE FRONT OF THE UNIT. "RIGHT-HAND" AND "LEFT-HAND" SIDES ARE DETERMINED BY FACING IN THE DIRECTION OF MACHINE FORWARD TRAVEL.

BOX-ENCLOSED ILLUSTRATIONS

A KEY NUMBER, SHOWN IN THE PARTS LIST, IS ASSIGNED TO A BOX ENCLOSING ALL PARTS SOLD AS A SERVICE ASSEMBLY. A BOX NOT KEYED INCLUDES NON-CURRENT PARTS.

KITS

KIT INFORMATION WILL BE FOUND IMMEDIATELY FOLLOWING THE STORY IN WHICH IT IS USED. THE ILLUSTRATION IS REPEATED WITH ONLY THE KIT PARTS CALLED OUT AND WITH ALL OTHER PARTS SHOWN IN PHANTOM FOR RELATIONSHIP.

JDM REMANUFACTURED COMPONENTS

THE SERVICE PARTS LISTED IN THIS CATALOG ARE INTENDED FOR THE REPAIR OF ORIGINAL EQUIPMENT COMPONENTS. ALTHOUGH MOST SERVICE PARTS MAY BE USED TO REPAIR REMANUFACTURED COMPONENTS, THE REMANUFACTURED DESIGN MAY CHANGE PARTS SUFFICIENTLY SO THAT SERVICE PARTS ARE INADEQUATE OR NOT USABLE.

BOLT AND CAP SCREW STRENGTH IDENTIFICATION

BOLTS AND CAP SCREWS REQUIRED TO HAVE HIGH-STRENGTH QUALITIES EQUIVALENT TO SAE GRADE 8 ARE IDENTIFIED THROUGHOUT THIS CATALOG BY THE DESCRIPTION HS SAE 8. ALL STANDARD BOLTS AND CAP SCREWS ARE SAE GRADE 5 OR LOWER.

SI UNITS OF MEASURE

METRIC DIMENSIONS ARE GIVEN, WHERE APPLICABLE, THROUGHOUT THIS PARTS CATALOG.

TRADEMARKS

THROUGHOUT THIS PARTS CATALOG, YOU WILL FIND THE FOLLOWING DEERE & COMPANY TRADEMARKS:

DIAL-A-MATIC™
HARVESTRAK™
POSI-TORQ™

TORQ-GARD SUPREME®
QUIK-TATCH™

CHANGE INDICATOR LINE (MICROFICHE CATALOGS ONLY)

CHANGES AFFECTING THE ORDERING OF PARTS ARE IDENTIFIED BY VERTICAL LINES MARKED IN THE LEFT-HAND MARGIN OF REVISED PARTS LISTING IMAGES. A LINE IS ALSO AT THE LEFT-HAND EDGE OF THE SAME PART NUMBER IN THE NUMERICAL INDEX TO SHOW THE LOCATION OF REVISED INFORMATION.

1A13

4435 AND 4435 HYDRO COMBINES

SECTIONAL INDEX

	SECTION
PRIMARY PICTORIAL INDEX AND GENERAL INFORMATION	10
BASIC ENGINE	20
FUEL AND AIR	30
ELECTRICAL	40
POWER TRAIN	50
STEERING AND BRAKES	60
HYDRAULICS	70
SEPARATOR SHELL	80
OPERATOR'S STATION	90
HEADERS - REFER TO INDIVIDUAL HEADER PARTS CATALOGS	100
FEEDER HOUSE	110
SEPARATOR	120
GRAIN TANK AND UNLOADING AUGER	130
DECALS, BELTS AND CHAINS	150
NUMERICAL INDEX	180

1A14

4435 AND 4435 HYDRO COMBINES

ALPHABETICAL INDEX

GRID		PAGE	GRID		PAGE
A					
2H3	ACCUMULATOR, HYDRAULIC LINES	70-24	3D20	CAB ROOF AIR FILTER	90-64
3G25	ADAPTER PLATES, PLATFORM	110-36	1I23	CAB ROOF WIRING.....	40-82
4I5	ADJUSTING DEVICE FOR UNLOADING AUGER	130-56	3D7	CAB SOUNDPROOFING	90-50
4F3	ADJUSTING DEVICE, STRAW CHOPPER.....	120-93C	3D10	CAB SOUNDPROOFING (RIGHT-HAND).....	90-53
3C11	ADJUSTMENT INDICATOR, CONCAVE.....	90-30	3D9	CAB STORAGE RACK.....	90-52
1E16	AIR CLEANER AND AIR INTAKE TUBES	30-22	3D1	CAB WINDOWS AND MOLDINGS	90-44
3E21	AIR CONDITIONING CLEANING UNIT TUBE	90-88	1J9	CABLE CLIPS,CONNECTORS AND PLUGS	40-92
3E13	AIR CONDITIONING HOSES AND COUPLERS	90-80	1I9	CABLE-HARVEST PERFORMANCE MONITOR.....	40-70
3F5	AIR CONDITIONING SUCTION FAN DRIVE	90-98	1H11	CABLE-STRAW CHOPPER WITH LOW SPEED CONTROL	40-48
3D20	AIR FILTER, CAB ROOF	90-64	2C3	CABLE, CONTROL, HYDROSTATIC DRIVE	50-22
1D22	AIR INTAKE MANIFOLD(6359D).....	30-2	1I9	CABLE, INFO PANEL	40-70
1D23	AIR INTAKE MANIFOLD(6359T)	30-3	1B21	CAMSHAFT.....	20-16
1E16	AIR INTAKE TUBES, AIR CLEANER	30-22	1G7	CENTRAL ELECTRICAL HOUSING	40-18
3D19	AIR OUTLET PANEL	90-62	4H12	CENTRAL LUBRICATING POINT	130-38
1F20	ALTERNATOR	40-7	4C18	CHAFFER	120-38
1F19	ALTERNATOR ATTACHING PARTS.....	40-6	4C20	CHAFFER EXTENSION	120-40
1J3	ANTENNA	40-86	4C16	CHAFFER FRAME	120-36
1F19	ATTACHING PARTS, ALTERNATOR	40-6	3G5	CHAIN, FEEDER CONVEYOR	110-16
3C23	ATTACHING PARTS, CAB	90-42	4G15	CHAIN, TAILINGS ELEVATOR	130-16
4H8	AUGER, LEVELING, GRAIN TANK.....	130-34	4J6	CHAINS, LEFT-HAND SIDE.....	150-15
4H12	AUGER, UNLOADING	130-38	4J1	CHAINS, RIGHT-HAND SIDE	150-10
4G17	AUGER, UPPER TAILINGS.....	130-18	4J3	CHAINS, RIGHT-HAND SIDE	150-12
1C13	AUXILIARY PULLEY.....	20-30	4J5	CHAINS, RIGHT-HAND SIDE	150-14
2E15	AXLE SUPPORT AND V-SUPPORT FOR REAR AXLE	60-10	2C7	CHARGE PUMP MOUNTING, HYDROSTATIC DRIVE	50-26
2E9	AXLE, REAR.....	60-4	4F23	CLEAN GRAIN AUGERS, HOUSING	130-2
B					
1G20	BASIC WIRING HARNESS	40-32	4G1	CLEAN GRAIN AUGERS, LOWER TAILINGS	130-4
1G22	BASIC WIRING HARNESS	40-34	4G9	CLEAN GRAIN ELEVATOR DRIVE.....	130-10
1G24	BASIC WIRING HARNESS	40-36	4G11	CLEAN GRAIN ELEVATOR HEAD	130-12
1J7	BASIC WIRING HARNESS	40-90	4G3	CLEAN GRAIN ELEVATOR HOUSING.....	130-6
1H5	BASIC WIRING HARNESS, THERMOSTAT SWITCH	40-42	4G5	CLEAN GRAIN ELEVATOR MOUNTING PARTS.....	130-7A
1F15	BATTERY AND CABLES	40-2	4G7	CLEAN GRAIN ELEVATOR, CONVEYOR CHAIN	130-8
2J11	BATTERY MOUNTINGS	80-24	2J21	CLEANING FAN GUARDS FOR CORN EQUIPMENT.....	80-34
4E5	BEARING, STRAW WALKER	120-74	2J19	CLEANING FAN GUARDS, STANDARD	80-32
1C2	BEARINGS/CRANKSHAFT.....	20-21	4D18	CLEANING FAN-ADJUSTING ROD	120-64
1C3	BEARINGS/CRANKSHAFT.....	20-22	4C24	CLEANING SHOE SUSPENSION	120-44
4C2	BEATER	120-22	3E21	CLEANING UNIT TUBE, AIR CONDITIONING.....	90-88
4C12	BEATER DRIVE	120-32	1B24	CLOSING (WITHOUT OIL FILLER NECK)	20-18
4C4	BEATER, VARIABLE DRIVE WITH CENTER OIL SUPPLY.....	120-24	2D11	CLUTCH	50-54
2H17	BEATER, VARIABLE DRIVE WITH CENTER OIL SUPPLY, HYDRAULIC LINE	70-38	3E4	CLUTCH AND SERVICE VALVES, COMPRESSOR	90-71
1C20	BELT (WATER PUMP).....	20-38	2D9	CLUTCH HOUSING, DRIVE SHEAVE	50-52
2C9	BELT, HYDROSTATIC DRIVE UNIT	50-28	2D5	CLUTCH MASTER CYLINDER	50-48
4D11	BLADES, FAN SHAFT	120-56	2D6	CLUTCH OIL LINES.....	50-49
1B8	BLOCK,CYLINDER	20-4	1G18	CLUTCH PEDAL, ELECTRICAL SWITCH.....	40-30
1B9	BLOCK,CYLINDER.....	20-5	2D7	CLUTCH SLAVE CYLINDER, ELECTRICAL TRANSMISSION BRAKE	50-50
3F18	BOTTOM SHEET, FEEDER HOUSE	110-6	1E13	COLD WEATHER STARTING AID	30-18
2F1	BRAKE CYLINDER.....	60-22	2K15	COMBINE MAINTENANCE PRODUCTS.....	80-52
2E22	BRAKE LINES (LOWER)	60-18	1G3	COMPRESSOR CABLES	40-16
2E24	BRAKE LINES (UPPER)	60-20	1G5	COMPRESSOR CABLES.....	40-17A
2E18	BRAKE PEDALS.....	60-14	3E4	COMPRESSOR CLUTCH AND SERVICE VALVES.....	90-71
2E20	BRAKE VALVE	60-16	3E3	COMPRESSOR HARDWARE KIT	90-70
1G11	BRAKE, TRANSMISSION.....	40-22	3E11	COMPRESSOR HOSES	90-78
C					
3C23	CAB ATTACHING PARTS	90-42	3F1	COMPRESSOR HOSES	90-94
3D22	CAB FAN	90-66	3E17	COMPRESSOR MOUNTING	90-84
3D3	CAB MOUNTING AND CYLINDERS	90-46	3E7	COMPRESSOR MOUNTING PARTS	90-74
3D13	CAB ROOF.....	90-56	3E5	COMPRESSOR PARTS	90-72
			4B16	CONCAVE.....	120-10
			4B18	CONCAVE - SUSPENSION	120-12
			3C11	CONCAVE ADJUSTMENT INDICATOR	90-30
			3C9	CONCAVE AND BRAKE LEVERS	90-28
			3E15	CONDENSER	90-82
			3E19	CONDENSER AND MOUNTING	90-86
			3E25	CONDENSER FAN, FRONT	90-92
			3E23	CONDENSER FAN, REAR	90-90
			1C7	CONNECTING ROD(6359D)	20-24
			1C9	CONNECTING ROD(6359T)	20-26

1A15

4435 AND 4435 HYDRO COMBINES

ALPHABETICAL INDEX - CONTINUED

<i>GRID</i>		<i>PAGE</i>	<i>GRID</i>		<i>PAGE</i>
2C3	CONTROL CABLE, HYDROSTATIC DRIVE	50-22	4F15	DEFLECTOR, STRAW SPREADER	120-104
1H15	CONTROL LEVER	40-52	1I15	DIAL-A-MATIC ELECTRICAL PARTS	40-74
3C7	CONTROL LEVER - CUTTING PLATFORM/ HYDRAULIC REVERSER	90-26	1I17	DIAL-A-MATIC MECHANICAL PARTS	40-76
3C20	CONTROL LEVER, CYLINDER SPEED	90-39	2D19	DIFFERENTIAL	50-62
2G22	CONTROL VALVE FITTINGS, ELECTRO-MAGNETIC	70-18	1B12	DIPSTICK FASTENING	20-8
2G18	CONTROL VALVE FITTINGS, MAIN	70-14	1B10	DIPSTICK,OIL	20-6
2G16	CONTROL VALVE POPPETS, MAIN	70-12	1B11	DIPSTICK,OIL	20-7
2G24	CONTROL VALVE, ELECTRO MAGNETIC	70-20	2F2	DISK BRAKES FOOT BRAKES	60-24
2G20	CONTROL VALVE, ELECTRO-MAGNETIC	70-16	2F4	DISK BRAKES HANDBRAKE	60-26
2B14	CONTROL VALVE, HYDROST. DR. DISPLACEMENT	50-8	2B14	DISPLACEMENT CONTROL VALVE, HYDROST. DR.	50-8
2G14	CONTROL VALVE, MAIN	70-10	1I19	DISTRIBUTION BOX, SOLENOIDS	40-78
4G7	CONVEYOR CHAIN, CLEAN GRAIN ELEVATOR	130-8	1G1	DISTRIBUTOR BOX-ENGINE AREA	40-14
2J21	CORN EQUIPMENT, CLEANING FAN GUARDS	80-34	4E15	DIPSTICK HOUSING, STRAW CHOPPER	120-84
4E9	COUNTERKNIVES, STRAW CHOPPER	120-78	1J4	DOME LIGHT	40-87
1D11	COUNTERSHAFT FOR ROTARY RADIATOR SCREEN	20-54	3D5	DOOR HANDLE, CAB	90-48
4F7	COUNTERSHAFT, STRAW CHOPPER	120-96	4H7	DOOR, ACCESS, GRAIN TANK	130-32
2I7	COUPLER, CUTTING PLATFORM	70-54	1D13	DRAINING ENGINE OIL, ENGINE BREATHER	20-56
3C22	COVER PLATE, OPERATOR'S PLATFORM	90-41	4I20	DRIVE BELTS, LEFT-HAND SIDE	150-4
1B16	COVER,ROCKER ARM	20-12	4I22	DRIVE BELTS, LEFT-HAND SIDE	150-6
1C1	COVER,TIMING GEAR	20-20	4I23	DRIVE BELTS, LEFT-HAND SIDE	150-7
3D15	COVERS, CAB	90-58	4I24	DRIVE BELTS, LEFT-HAND SIDE	150-8
4H10	COVERS, INNER UNLOADING AUGER	130-36	4I25	DRIVE BELTS, LEFT-HAND SIDE	150-9
1C12	CRANKSHAFT PULLEY	20-29	4I18	DRIVE BELTS, RIGHT-HAND SIDE	150-2
1C2	CRANKSHAFT/BEARINGS	20-21	4G19	DRIVE IDLER, TAILINGS AUGER	130-20
1C3	CRANKSHAFT/BEARINGS	20-22	4F5	DRIVE IDLERS, STRAW CHOPPER	120-94
1C4	CRANKSHAFT/BEARINGS KIT	20-22A	4D15	DRIVE PARTS - SEPARATOR AND FAN	120-60
4D24	CURTAIN	120-68	4E13	DRIVE PULLEY, STRAW CHOPPER	120-82
1H21	CUTTING PLATFORM HEIGHT INDICATOR	40-58	2D9	DRIVE SHEAVE, CLUTCH HOUSING	50-52
2H19	CUTTING PLATFORM PRESSURE INDICATOR HOSE	70-40	4F15	DRIVE SHIELD, STRAW SPREADER	120-104
2I7	CUTTING PLATFORM, COUPLER	70-54	2E1	DRIVE WHEEL AXLE AND EXTENSION	50-68
2I5	CUTTING PLATFORMS 200 SERIES U.S., MODIFICATION PARTS	70-52	2E3	DRIVE WHEELS	50-70
4B9	CYLINDER ACCESS DOOR	120-2	4C12	DRIVE, BEATER	120-32
1B8	CYLINDER BLOCK	20-4	4D13	DRIVE, FAN VARIATOR	120-58
1B9	CYLINDER BLOCK	20-5	4D5	DRIVE, LOWER CHAFFER BOARD	120-50
2B12	CYLINDER BLOCK KIT, HYDROSTATIC PUMP	50-6	2G12	DRIVE, MAIN HYDRAULIC PUMP	70-8
1B17	CYLINDER HEAD	20-13	4I9	DRIVE, OUTER UNLOADING AUGER	130-60
1C6	CYLINDER LINER/PISTON KIT (6359D)	20-23	4I11	DRIVE, OUTER UNLOADING AUGER	130-62
1C11	CYLINDER LINER/PISTON KIT (6359T)	20-28	4I7	DRIVE, OUTER UNLOADING AUGER, GEAR CASE	130-58
3C20	CYLINDER SPEED CONTROL LEVER	90-39	4D7	DRIVE, SLIP CLUTCH STRAW WALKER	120-52
2F1	CYLINDER, BRAKE	60-22	4D5	DRIVE, STRAW WALKER	120-50
2F20	CYLINDER, STEERING	60-42	3F7	DRIVE, SUCTION FAN	90-100
3D3	CYLINDERS, CAB	90-46	4G21	DRIVE, TAILINGS ELEVATOR	130-22
			4H18	DRIVE, UNLOADING, GRAIN TANK	130-44
			4H20	DRIVE, UNLOADING, GRAIN TANK	130-46
			4H24	DRIVES, PADDLE, INNER UNLOADING AUGER	130-50
D					
4K5	DASHBOARD PANEL DECALS	150-38	E		
4J20	DECALS	150-29	1E1	ELBOW, EXHAUST (6359T)	30-5A
4K5	DECALS, DASHBOARD PANEL	150-38	1G12	ELECTRIC CONNECTIONS, TRANSMISSION WIRING HARNESS	40-24
4J19	DECALS, ENGINE SECTION	150-28	2G24	ELECTRIC ORIFICE FOR ELECTRO-MAGNETIC CONTROL VALVE	70-20
4J15	DECALS, LEFT HAND	150-24	1F23	ELECTRICAL CONNECTIONS ENGINE	40-10
4J9	DECALS, LEFT-HAND	150-18	1H13	ELECTRICAL FAN ADJUSTMENT	40-50
4J13	DECALS, LEFT-HAND	150-22	1E22	ELECTRICAL FUEL TRANSFER PUMP	30-28
4J21	DECALS, LEFT-HAND	150-30	1I15	ELECTRICAL PARTS, DIAL-A-MATIC	40-74
4K1	DECALS, OPERATOR'S PLATFORM	150-34	1H13	ELECTRICAL PARTS, STRAW CHOPPER	40-50
4K3	DECALS, OPERATOR'S PLATFORM	150-36	1G18	ELECTRICAL SWITCH- CLUTCH PEDAL	40-30
4J17	DECALS, REAR	150-26	2D7	ELECTRICAL TRANSMISSION BRAKE, CLUTCH SLAVE CYLINDER	50-50
4J7	DECALS, RIGHT HAND	150-16	2G20	ELECTRO-MAGNETIC CONTROL VALVE	70-16
4J11	DECALS, RIGHT-HAND	150-20	2G24	ELECTRO-MAGNETIC CONTROL VALVE	70-20
4J23	DECALS, RIGHT-HAND	150-32	2G22	ELECTRO-MAGNETIC CONTROL VALVE FITTINGS	70-18
4E17	DEFLECTOR, STRAW CHOPPER	120-86	1G11	ELECTRO-MAGNETIC-TRANSMISSION-BRAKE	40-22
4E21	DEFLECTOR, STRAW CHOPPER	120-90	1H1	ELECTROMAGNETIC CLUTCH-HEADER DRIVE	40-38
4E23	DEFLECTOR, STRAW CHOPPER	120-92			
4F1	DEFLECTOR, STRAW CHOPPER	120-93A			
4F3	DEFLECTOR, STRAW CHOPPER	120-93C			

1A16

4435 AND 4435 HYDRO COMBINES

ALPHABETICAL INDEX - CONTINUED

GRID		PAGE	GRID		PAGE
4G9	ELEVATOR DRIVE, CLEAN GRAIN	130-10	2H25	FLOW CONTROL VALVE, HYDROSTATIC REEL DRIVE	70-46
4G11	ELEVATOR HEAD, CLEAN GRAIN	130-12	1C17	FLYWHEEL	20-34
4G3	ELEVATOR HOUSING, CLEAN GRAIN	130-6	1C16	FLYWHEEL HOUSING	20-33
4G5	ELEVATOR MOUNTING PARTS, CLEAN GRAIN	130-7A	2F2	FOOT BRAKES, DISK BRAKES	60-24
4G7	ELEVATOR, CLEAN GRAIN, CONVEYOR CHAIN	130-8	4C16	FRAME, CHAFFER	120-36
4G13	ELEVATOR, TAILINGS	130-14	2I14	FRONT AXLE SUPPORT	80-4
4G21	ELEVATOR, TAILINGS, DRIVE	130-22	3E25	FRONT CONDENSER FAN	90-92
1D4	ENGINE - MOUNTING PARTS	20-47	2B10	FRONT COVER, HYDROSTATIC PUMP	50-4
1D13	ENGINE BREATHER AND DRAINING ENGINE OIL	20-56	1B13	FRONT PLATE (6359D)	20-9
2J9	ENGINE COMPARTMENT FLOOR SHEETS	80-22	1B14	FRONT PLATE(6359T)	20-10
1D10	ENGINE COMPARTMENT SEALING PADS	20-53	2J23	FRONT SEPARATOR SHIELDS, LEFT-HAND	80-36
2K11	ENGINE COMPARTMENT SHEETS	80-48	3F18	FRONT SHIELD, FEEDER HOUSE	110-6
1D3	ENGINE COOLANT HEATER	20-46	1E4	FUEL FILTER AND LINES	30-8
1D1	ENGINE GASKET SET	20-44	1E5	FUEL FILTER AND LINES	30-9
4J19	ENGINE SECTION DECALS	150-28	1E10	FUEL INJECTION LINES	30-14
1D15	ENGINE SUPPORT	20-58	1E11	FUEL INJECTION NOZZLE (4435)	30-15
1F21	ENGINE WIRING HARNESS	40-8	1E12	FUEL INJECTION NOZZLE (4435HY)	30-16
1F23	ENGINE, ELECTRICAL CONNECTIONS	40-10	1E8	FUEL INJECTION PUMP(6359D)	30-12
1F25	ETHER COLD WEATHER STARTING AID CABLE	40-12	1E9	FUEL INJECTION PUMP(6359T)	30-13
3D24	EVAPORATOR	90-67A	1E4	FUEL LINES AND FILTER	30-8
3D23	EVAPORATOR / HEATER CORE	90-67	1E5	FUEL LINES AND FILTER	30-9
1E18	EXHAUST EJECTOR AND PIPE	30-24	1E23	FUEL PRE-FILTER	30-30
1E1	EXHAUST ELBOW (6359T)	30-5A	1F3	FUEL PRE-FILTER, GASKET-SET	30-34
1D25	EXHAUST MANIFOLD (6359T)	30-5	1F1	FUEL PRE-FILTER, REPAIR-SET	30-32
1D24	EXHAUST MANIFOLD(6359D)	30-4	2B21	FUEL PRE-FILTER, REPAIR-SET	50-16
2E1	EXTENSION, DRIVE WHEEL AXLE	50-68	1E20	FUEL TANK	30-26
F					
1H13	FAN ADJUSTMENT, ELECTRIC	40-50	1E7	FUEL TRANSFER PUMP (SOFABEX)(3701)	30-11
4D15	FAN DRIVE PARTS	120-60	1E6	FUEL TRANSFER PUMP "SOFABEX"	30-10
2J19	FAN GUARDS, CLEANING, STANDARD	80-32	1E22	FUEL TRANSFER PUMP, ELECTRICAL	30-28
4D9	FAN HOUSING	120-54	1G9	FUSES AND STRIP TERMINAL	40-20
4D11	FAN SHAFT AND BLADES	120-56	G		
4D13	FAN VARIATOR DRIVE, UPPER	120-58	1D1	GASKET SET	20-44
1C21	FAN, ENGINE	20-39	1D1	GASKET SET ENGINE	20-44
1B12	FASTENING,DIPSTICK	20-8	2H22	GASKET SET FOR REEL DRIVE HYDRAULIC PUMP	70-43
3G5	FEEDER CONVEYOR CHAIN	110-16	1F3	GASKET-SET, FUEL PRE-FILTER	30-34
3G21	FEEDER CONVEYOR DRIVE	110-32	4I7	GEAR CASE, OUTER UNLOADING AUGER DRIVE	130-58
3G3	FEEDER CONVEYOR DRUM	110-14	2D13	GEAR SHIFTING PARTS	50-56
3F15	FEEDER CONVEYOR HOUSING	110-2	1C1	GEAR, TMING COVER	20-20
3F17	FEEDER CONVEYOR RETURN SHIELDS	110-4	1B22	GEARS, IDLE	20-17
3F18	FEEDER HOUSE FRONT SHIELD AND BOTTOM SHEET	110-6	1B23	GEARS, IDLE	20-17A
3G23	FEEDER HOUSE GUARDS	110-34	4C14	GRAIN PAN	120-34
3G13	FEEDER HOUSE LOWER BEARINGS AND SPROCKETS, LEFT-HAND	110-24	4D1	GRAIN PAN SHAFT AND SUSPENSION	120-46
2I20	FEEDER HOUSE SUPPORT	80-9A	4G23	GRAIN TANK	130-24
3F22	FEEDER HOUSE UPPER SHAFT AND SPROCKETS	110-10	4H7	GRAIN TANK ACCESS DOOR	130-32
3F24	FEEDER HOUSE UPPER SHEAVE AND SPROCKETS	110-11A	1I1	GRAIN TANK FILL INDICATOR	40-62
3G1	FEEDER HOUSE UPPER SHEAVE AND SPROCKETS	110-12	4H14	GRAIN TANK INNER UNLOADING AUGER	130-40
1I11	FIELD LIGHTS	40-72	4H8	GRAIN TANK LEVELING AUGER	130-34
1I1	FILL INDICATOR, GRAIN TANK	40-62	4H16	GRAIN TANK PADDLE	130-42
1B10	FILTER, OIL	20-6	4H5	GRAIN TANK SAMPLE	130-30
1B11	FILTER, OIL	20-7	4H1	GRAIN TANK SHEETS	130-26
2D23	FINAL DRIVE GEARS	50-66	4H18	GRAIN TANK UNLOADING DRIVE	130-44
2D21	FINAL DRIVE HOUSINGS	50-64	4H20	GRAIN TANK UNLOADING DRIVE SHAFT AND BEARINGS	130-46
4B20	FINGER GRATE	120-14	4H3	GRAIN TANK WINDOWS AND HANDRAIL	130-28
2G22	FITTINGS, CONTROL VALVE	70-18	2H9	GROUND DRIVE HYDRAULIC LINES	70-30
2C13	FITTINGS, HYDROSTATIC DRIVE	50-32	4E6	GUARDS LEFT-HAND	120-75
2G18	FITTINGS, MAIN CONTROL VALVE	70-14	3G23	GUARDS, FEEDER HOUSE	110-34
3D11	FLOOR MATS	90-54	H		
2J9	FLOOR SHEETS, ENGINE COMPARTMENT	80-22	4H3	HANDRAIL, GRAIN TANK	130-28
2I1	FLOW CONTROL VALVE REPAIR KIT, HYDROSTATIC REEL DRIVE	70-47	3B12	HANDRAILS, OPERATOR'S PLATFORM	90-6

1A17

4435 AND 4435 HYDRO COMBINES

ALPHABETICAL INDEX - CONTINUED

GRID		PAGE	GRID		PAGE
3E3	HARDWARE KIT, COMPRESSOR	90-70	2C1	HYDROSTATIC MOTOR VALVE	50-20
1I9	HARVEST PERFORMANCE MONITOR, CABLE	40-70	2B20	HYDROSTATIC PUMP SERVO	50-14
1I3	HARVESTRAK SENSORS	40-64	2H25	HYDROSTATIC REEL DRIVE FLOW CONTROL VALVE	70-46
1I5	HARVESTRAK WIRING HARNESSSES	40-66	2I1	HYDROSTATIC REEL DRIVE FLOW CONTROL VALVE REPAIR KIT	70-47
1B17	HEAD,CYLINDER	20-13	2I2	HYDROSTATIC REEL DRIVE MOTOR	70-48
3F20	HEADER ATTACHING PIN	110-8	2I3	HYDROSTATIC REEL DRIVE, HYDRAULIC LINES AND HOSES	70-50
3G7	HEADER DRIVE CHAIN	110-18	2I5	HYDROSTATIC REEL DRIVE, MODIFICATION PARTS FOR CUTTING PLATFORM	70-52
3G15	HEADER DRIVE SHAFT	110-26	2H3	HYDRUALIC LINES AND ACCUMULATOR	70-24
1H1	HEADER DRIVE, ELECTROMAGNETIC CLUTCH	40-38			
1I21	HEADER HEIGHT RESUME	40-80		I	
2J15	HEADER LIFT CYLINDER SAFETY STOP	80-28	1B22	IDLE GEARS	20-17
2H8	HEADER LIFT HYDRAULIC CYLINDER	70-29	1B23	IDLE GEARS	20-17A
3F10	HEADERS	100-A02	4C6	IDLER ARM, SEPARATOR DRIVE	120-26
1G16	HEADLIGHTS	40-28	4C8	IDLER, SEPARATOR DRIVE	120-28
3D17	HEADLINER	90-60	2F10	INDIVIDUAL PARTS FOR STEERING PUMP	60-32
3D24	HEATER CORE	90-67A	2F14	INDIVIDUAL PARTS FOR STEERING PUMP	60-36
3E1	HEATER VALVE AND HOSES	90-68	1I9	INFO PANEL, CABLE	40-70
1D3	HEATER, ENGINE COOLANT	20-46	1I7	INFORMATION PANEL	40-68
1H21	HEIGHT INDICATOR, CUTTING PLATFORM	40-58	3D15	INNER ROOF AND COVERS	90-58
1G16	HORN	40-28	4H24	INNER UNLOADING AUGER AND PADDLE DRIVES	130-50
3E13	HOSES AND COUPLERS, AIR CONDITIONING	90-80	4H10	INNER UNLOADING AUGER COVERS	130-36
2C11	HOSES, HYDROSTATIC DRIVE	50-30	4H14	INNER UNLOADING AUGER, GRAIN TANK	130-40
1G7	HOUSING, CENTRAL ELECTRICAL	40-18	1H18	INSTRUMENT PANEL	40-55
2B8	HOUSING, HYDROSTATIC PUMP	50-2	1H19	INSTRUMENT PANEL	40-56
4F23	HOUSING, LOWER TAILINGS AND CLEAN GRAIN AUGERS	130-2	1H17	INSTRUMENT PANEL, WIRING HARNESS	40-54
4I1	HOUSING, OUTER UNLOADING AUGER	130-52	1E15	INTAKE TUBES, PRECLEANER	30-21
4E7	HOUSING, STRAW CHOPPER	120-76	1D22	INTAKE,AIR MANIFOLD(6359D)	30-2
4E15	HOUSING, STRAW CHOPPER DISTRIBUTOR	120-84	1D23	INTAKE,AIR MANIFOLD(6359T)	30-3
1C25	HOUSING, THERMOSTAT	20-43		K	
4G17	HOUSING, UPPER TAILINGS	130-18	1C5	KIT, UNDERSIZE CRANKSHAFT/BEARINGS	20-22B
1C16	HOUSING,FLYWHEEL	20-33	1C4	KIT,CRANKSHAFT/BEARINGS	20-22A
1J11	HOUSINGS FOR ELECTRICAL PLUG CONNECTORS	40-94	1C6	KIT,CYLINDER LINER/PISTON (6359D)	20-23
2C5	HYDRAULIC BELT TENSIONING	50-24	1C11	KIT,CYLINDER LINER/PISTON (6359T)	20-28
2D3	HYDRAULIC CLUTCH OPERATING PARTS	50-46	4E11	KNIVES, STRAW CHOPPER	120-80
4I13	HYDRAULIC CYLINDER MOUNTING, SWING, UNLOADING AUGER	130-64		L	
2H8	HYDRAULIC CYLINDER, HEADER LIFT	70-29	2J7	LADDER, REAR SERVICE PLATFORM	80-20
2H11	HYDRAULIC HOSE, REEL LIFT	70-32	3C5	LEFT-HAND LEVERS	90-24
2H17	HYDRAULIC LINE, VARIABLE DRIVE WITH CENTER OIL SUPPLY FOR BEATER	70-38	2J13	LEFT-HAND REAR SEPARATOR SHIELD	80-26
2I3	HYDRAULIC LINES AND HOSES, HYDROSTATIC REEL DRIVE	70-50	2K3	LEFT-HAND SHIELD BRACKET	80-40
2H9	HYDRAULIC LINES, GROUND DRIVE	70-30	2K5	LEFT-HAND SHIELD BRACKET	80-42
2G8	HYDRAULIC LINES, HYDRAULIC PUMP	70-4	4F1	LEVER ADJUSTMENT,STRAW CHOPPER DEFLECTOR..	120-93A
2G8	HYDRAULIC LINES, MAIN HYDR. RESERVOIR	70-4	3C9	LEVERS, CONCAVE AND BRAKE	90-28
2H13	HYDRAULIC LINES, REEL ADJUSTMENT	70-34	3C5	LEVERS, LEFT-HAND	90-24
2H1	HYDRAULIC LINES, REVERSE DRIVE	70-22	1J4	LIGHT, DOME	40-87
2H15	HYDRAULIC LINES, UNLOADING AUGER	70-36	1I11	LIGHTS, FIELD	40-72
2H21	HYDRAULIC PUMP, REEL DRIVE	70-42	1C7	LINER(6359D)	20-24
2H22	HYDRAULIC PUMP,GASKET SET, REEL DRIVE	70-43	1C9	LINER(6359T)	20-26
2H23	HYDRAULIC RESERVOIR, REEL DRIVE FITTINGS	70-44	1E10	LINES,FUEL INJECTION	30-14
3G9	HYDRAULIC REVERSER DRIVE	110-20	1H7	LOW SHAFT SPEED CONTROL SENDING UNIT, WIRING HARNESS	40-44
3G11	HYDRAULIC REVERSER SHIFTER	110-22	1H9	LOW SHAFT SPEED CONTROL SENDING UNIT	40-46
3C7	HYDRAULIC REVERSER, CONTROL LEVER - CUTTING PLATFORM	90-26	1H11	LOW SPEED CONTROL, CABLE	40-48
2H7	HYDRAULIC SWING UNLOADING AUGER CYLINDER ...	70-28	4D5	LOWER CHAFFER BOARD DRIVE	120-50
2B14	HYDROST. DR. DISPLACEMENT CONTROL VALVE	50-8	2J17	LOWER DRIVE GUARDS, LEFT-HAND	80-30
2B18	HYDROSTATIC DRIVE CHARGE PUMP	50-12	4D17	LOWER FAN VARIABLE SHEAVES	120-62
2C7	HYDROSTATIC DRIVE CHARGE PUMP MOUNTING	50-26			
2C3	HYDROSTATIC DRIVE CONTROL CABLE	50-22			
2C15	HYDROSTATIC DRIVE LOWER OIL HOSES	50-34			
2B23	HYDROSTATIC DRIVE MOTOR KIT	50-18			
2C13	HYDROSTATIC DRIVE OIL COOLER, FITTINGS	50-32			
2C17	HYDROSTATIC DRIVE OIL RESERVOIR	50-36			
2B7	HYDROSTATIC DRIVE PUMP	50-1			
2B16	HYDROSTATIC DRIVE PUMP COVER	50-10			

1A18

4435 AND 4435 HYDRO COMBINES

ALPHABETICAL INDEX - CONTINUED

GRID	PAGE	GRID	PAGE			
3G17	LOWER REEL DRIVE	110-28	4K3	OPERATOR'S PLATFORM DECALS	150-36	
3G19	LOWER REEL DRIVE GUARDS	110-30	3B12	OPERATOR'S PLATFORM HANDRAILS	90-6	
4G1	LOWER TAILINGS AND CLEAN GRAIN AUGERS	130-4	3B10	OPERATOR'S PLATFORM LADDER	90-4	
4F23	LOWER TAILINGS AND CLEAN GRAIN AUGERS HOUSING	130-2	3B14	OPERATOR'S PLATFORM PARTS.....	90-8	
4G1	LOWER TAILINGS, CLEAN GRAIN AUGERS	130-4	3C21	OPERATOR'S PLATFORM SOUNDPROOFING.....	90-40	
4F23	LOWER TAILINGS, HOUSING	130-2	1G14	OPERATOR'S PLATFORM WIRING HARNESS.....	40-26	
4H12	LUBRICATING POINT, CENTRAL.....	130-38	3C16	OPERATOR'S PLATFORM, OPERATING CABLES.....	90-34	
4C10	LUBRICATING POINT, SEPARATOR DRIVE IDLER.....	120-30	3B8	OPERATOR'S PLATFORM	90-2	
M				3B16	OPERATOR'S SEAT	90-11
1B25	MAGNETIC PICK UP	20-19	4I3	OUTER UNLOADING AUGER.....	130-54	
2G14	MAIN CONTROL VALVE	70-10	4I9	OUTER UNLOADING AUGER DRIVE	130-60	
2G18	MAIN CONTROL VALVE FITTINGS	70-14	4I11	OUTER UNLOADING AUGER DRIVE	130-62	
2G16	MAIN CONTROL VALVE POPPETS	70-12	4I7	OUTER UNLOADING AUGER DRIVE GEAR CASE	130-58	
2G10	MAIN HYDRAULIC PUMP	70-6	4I1	OUTER UNLOADING AUGER HOUSING.....	130-52	
2G12	MAIN HYDRAULIC PUMP DRIVE AND MOUNTING	70-8	P			
2G6	MAIN HYDRAULIC RESERVOIR.....	70-2	4H24	PADDLE DRIVES, INNER UNLOADING AUGER.....	130-50	
1D25	MANIFOLD, EXHAUST (6359T)	30-5	4H16	PADDLE, GRAIN TANK	130-42	
1D24	MANIFOLD, EXHAUST(6359D)	30-4	3D19	PANEL, AIR OUTLET.....	90-62	
1C25	MANIFOLD, WATER.....	20-43	3E5	PARTS, COMPRESSOR	90-72	
2D5	MASTER CYLINDER, CLUTCH.....	50-48	2E18	PEDALS, BRAKE	60-14	
1I17	MECHANICAL PARTS, DIAL-A-MATIC	40-76	1B25	PICK UP,MAGNETIC	20-19	
2I5	MODIFICATION PARTS FOR 200 SERIES U.S. CUTTING PLATFORMS.....	70-52	1C7	PISTON(6359D)	20-24	
3D1	MOLDINGS, CAB	90-44	1C9	PISTON(6359T).....	20-26	
2B23	MOTOR KIT, HYDROSTATIC DRIVE	50-18	1C6	PISTON/CYLINDER LINER,KIT (6359D).....	20-23	
1D17	MOTOR PULLEY	20-60	1C11	PISTON/CYLINDER LINER,KIT (6359T)	20-28	
2I2	MOTOR, HYDROSTATIC REEL DRIVE	70-48	1B13	PLATE,FRONT (6359D)	20-9	
1F17	MOTOR, STARTING.....	40-4	1B14	PLATE,FRONT(6359T)	20-10	
4G5	MOUNTING PARTS, CLEAN GRAIN ELEVATOR	130-7A	3G25	PLATFORM ADAPTER PLATES	110-36	
1D4	MOUNTING PARTS, ENGINE	20-47	2K13	PLUGGED CYLINDER TOOL	80-50	
1J1	MOUNTING PARTS, RADIO AND SPEAKERS	40-84	2G16	POPPETS, MAIN CONTROL VALVE	70-12	
2J11	MOUNTINGS, BATTERY	80-24	4B22	POSI TORQ VARIABLE CYLINDER SHEAVES	120-16	
1E18	MUFFLER, EXHAUST EJECTOR AND PIPE	30-24	2C21	POSI-TORQ COUNTERSHAFT AND ARM (UPPER UNIT)	50-40	
1H15	MULTI-FUNCTIONAL RELAY	40-52	2D1	POSI-TORQ SHEAVES (LOWER UNIT).....	50-44	
N				2C23	POSI-TORQ SHEAVES (UPPER UNIT)	50-42
1E11	NOZZLE,FUEL INJECTION (4435)	30-15	2C19	POSI-TORQ SUPPORTS (UPPER UNIT).....	50-38	
1E12	NOZZLE,FUEL INJECTION (4435HY).....	30-16	1E23	PRE-FILTER, FUEL	30-30	
O				1E15	PRECLEANER AND AIR INTAKE TUBES	30-21
1C22	OIL COOLER	20-40	2H19	PRESSURE INDICATOR HOSE, CUTTING PLATFORM	70-40	
2C13	OIL COOLER, HYDROSTATIC DRIVE	50-32	1A2	PRIMARY PICTORIAL INDEX	10-1	
1B10	OIL DIPSTICK.....	20-6	1A3	PRIMARY PICTORIAL INDEX	10-2	
1B11	OIL DIPSTICK.....	20-7	1A4	PRIMARY PICTORIAL INDEX	10-3	
1B10	OIL FILTER.....	20-6	1A5	PRIMARY PICTORIAL INDEX	10-4	
1B11	OIL FILTER.....	20-7	1A6	PRIMARY PICTORIAL INDEX	10-5	
2C15	OIL HOSES, LOWER, HYDROSTATIC DRIVE.....	50-34	1A7	PRIMARY PICTORIAL INDEX	10-6	
2D6	OIL LINES, CLUTCH	50-49	1D17	PULLEY, MOTOR.....	20-60	
2C11	OIL LINES, UPPER, HYDROSTATIC DRIVE	50-30	1C13	PULLEY,AUXILIARY	20-30	
1E2	OIL LINES,TURBOCHARGER	30-6	1C12	PULLEY,CRANKSHAFT	20-29	
1C15	OIL PAN	20-32	2B16	PUMP COVER, HYDROSTATIC DRIVE	50-10	
1C14	OIL PUMP.....	20-31	1E7	PUMP, FUEL TRANSFER (SOFABEX)(3701)	30-11	
2C17	OIL RESERVOIR, HYDROSTATIC DRIVE	50-36	1E6	PUMP, FUEL TRANSFER "SOFABEX".....	30-10	
3C16	OPERATING CABLES ON OPERATOR'S PLATFORM	90-34	2B7	PUMP, HYDROSTATIC DRIVE	50-1	
3C12	OPERATING CONTROLS, RIGHT-HAND.....	90-32	2B18	PUMP, HYDROSTATIC DRIVE CHARGE.....	50-12	
3C14	OPERATING CONTROLS, RIGHT-HAND.....	90-33A	1C14	PUMP, OIL	20-31	
2D3	OPERATING PARTS, HYDRAULIC CLUTCH.....	50-46	1C18	PUMP, WATER.....	20-36	
3C22	OPERATOR'S PLATFORM COVER PLATE	90-41	1E8	PUMP,FUEL INJECTION(6359D)	30-12	
4K1	OPERATOR'S PLATFORM DECALS	150-34	1E9	PUMP,FUEL INJECTION(6359T).....	30-13	
R				1B20	PUSH RODS.....	20-15A
1D5	RADIATOR	20-48				

1A19

4435 AND 4435 HYDRO COMBINES

ALPHABETICAL INDEX - CONTINUED

<i>GRID</i>		<i>PAGE</i>	<i>GRID</i>		<i>PAGE</i>
1D7	RADIATOR SCREEN, ROTARY	20-50	1F10	SECTIONAL PICTORIAL INDEX	40-A02
1J1	RADIO AND SPEAKERS MOUNTING PARTS	40-84	1F11	SECTIONAL PICTORIAL INDEX	40-A03
4B13	RASP BAR CYLINDER	120-6	1F12	SECTIONAL PICTORIAL INDEX	40-A04
4B15	RASP BAR CYLINDER SHAFT	120-9	1F13	SECTIONAL PICTORIAL INDEX	40-A05
2E9	REAR AXLE	60-4	1F14	SECTIONAL PICTORIAL INDEX	40-A06
2E7	REAR AXLE FRAME AND SUPPORT	60-2	2B3	SECTIONAL PICTORIAL INDEX	50-A01
2E11	REAR AXLE SPINDLES	60-6	2B4	SECTIONAL PICTORIAL INDEX	50-A02
2E15	REAR AXLE, AXLE SUPPORT AND V-SUPPORT	60-10	2B5	SECTIONAL PICTORIAL INDEX	50-A03
3E23	REAR CONDENSER FAN	90-90	2B6	SECTIONAL PICTORIAL INDEX	50-A04
4J17	REAR DECALS	150-26	2E5	SECTIONAL PICTORIAL INDEX	60-A02
2I22	REAR HOOD	80-10	2E6	SECTIONAL PICTORIAL INDEX	60-A03
2J3	REAR HOOD LOWER SHEETS	80-16	2G3	SECTIONAL PICTORIAL INDEX	70-A02
2J1	REAR HOOD RAILING	80-14	2G4	SECTIONAL PICTORIAL INDEX	70-A03
2I24	REAR HOOD, REINFORCEMENTS	80-12	2G5	SECTIONAL PICTORIAL INDEX	70-A04
2J7	REAR SERVICE PLATFORM LADDER	80-20	2I9	SECTIONAL PICTORIAL INDEX	80-A02
3B23	REAR VIEW MIRROR	90-18	2I10	SECTIONAL PICTORIAL INDEX	80-A03
2E17	REAR WHEELS	60-12	2I11	SECTIONAL PICTORIAL INDEX	80-A04
3E9	RECEIVER - DRYER AND HOSES	90-76	3B3	SECTIONAL PICTORIAL INDEX	90-A02
3F3	RECEIVER - DRYER AND HOSES	90-96	3B4	SECTIONAL PICTORIAL INDEX	90-A03
4B24	REDUCTION TRANSMISSION, VARIABLE CYLINDER SHEAVES	120-18	3B5	SECTIONAL PICTORIAL INDEX	90-A04
2H13	REEL ADJUSTMENT, HYDRAULIC LINES	70-34	3B6	SECTIONAL PICTORIAL INDEX	90-A05
2H23	REEL DRIVE FITTINGS AND HYDRAULIC RESERVOIR	70-44	3B7	SECTIONAL PICTORIAL INDEX	90-A06
2H21	REEL DRIVE HYDRAULIC PUMP	70-42	3F12	SECTIONAL PICTORIAL INDEX	110-A01
2H22	REEL DRIVE HYDRAULIC PUMP, GASKET SET	70-43	3F13	SECTIONAL PICTORIAL INDEX	110-A02
2H11	REEL LIFT HYDRAULIC HOSE	70-32	3F14	SECTIONAL PICTORIAL INDEX	110-A03
2I24	REINFORCEMENTS, REAR HOOD	80-12	4B3	SECTIONAL PICTORIAL INDEX	120-A02
1G10	RELAY PLUG SOCKET	40-21	4B4	SECTIONAL PICTORIAL INDEX	120-A03
1F1	REPAIR-SET, FUEL PRE-FILTER	30-32	4B5	SECTIONAL PICTORIAL INDEX	120-A04
2B21	REPAIR-SET, FUEL PRE-FILTER	50-16	4B6	SECTIONAL PICTORIAL INDEX	120-A05
2C17	RESERVOIR, OIL, HYDROSTATIC DRIVE	50-36	4B7	SECTIONAL PICTORIAL INDEX	120-A06
1B18	RETAINERS(6359D)	20-14	4B8	SECTIONAL PICTORIAL INDEX	120-A07
1B19	RETAINERS(6359T)	20-15	4F21	SECTIONAL PICTORIAL INDEX	130-A02
4E19	RETAINERS, STRAW CHOPPER	120-88	4F22	SECTIONAL PICTORIAL INDEX	130-A03
4C22	RETURN PAN WITH SIEVES	120-42	4I17	SECTIONAL PICTORIAL INDEX	150-A01
3F17	RETURN SHIELDS, FEEDER CONVEYOR	110-4	1H9	SENDING UNIT, LOW SHAFT SPEED CONTROL	40-46
2H1	REVERSE DRIVE HYDRAULIC LINES	70-22	1I3	SENSORS, HARVESTRAK	40-64
2H5	REVERSE DRIVE HYDRAULIC MOTOR	70-26	4C8	SEPARATOR DRIVE IDLER	120-28
1H6	REVERSER SWITCH	40-43	4C6	SEPARATOR DRIVE IDLER ARM	120-26
1B20	ROCKER ARM	20-15A	4C10	SEPARATOR DRIVE IDLER, LUBRICATING POINT	120-30
1B16	ROCKER ARM COVER	20-12	4D15	SEPARATOR DRIVE PARTS	120-60
1B20	ROCKER ARM SHAFT	20-15A	2K7	SEPARATOR MIDDLE SHIELD, RIGHT-HAND	80-44
1D7	ROTARY RADIATOR SCREEN	20-50	2J13	SEPARATOR SHIELD, LEFT-HAND REAR	80-26
1D11	ROTARY RADIATOR SCREEN, COUNTERSHAFT	20-54	2K9	SEPARATOR SHIELD, RIGHT-HAND LOWER	80-46
1D9	ROTARY RADIATOR SCREEN, SUCTION NOZZLE	20-52	2J23	SEPARATOR SHIELDS	80-36
4E11	ROTOR, STRAW CHOPPER	120-80	2K1	SEPARATOR SHIELDS - UPPER, LEFT-HAND	80-38
			2J5	SERVICE PLATFORM, REAR, RIGHT-HAND	80-18
			2B8	SERVO, HYDROSTATIC PUMP	50-2
			2B20	SERVO, HYDROSTATIC PUMP	50-14
			1D1	SET, GASKET	20-44
			1C24	SHACKLES	20-42
			2B12	SHAFT, HYDROSTATIC PUMP	50-6
			4B15	SHAFT, RASP BAR CYLINDER	120-9
			2C9	SHEAVES, HYDROSTATIC DRIVE UNIT	50-28
			4H1	SHEETS, GRAIN TANK	130-26
			2J23	SHIELDS, SEPARATOR	80-36
			3C1	SHIFT CONSOLE AND COVERS, RIGHT-HAND	90-20
			3C3	SHIFT CONSOLE, LEFT-HAND	90-22
			4D3	SHOE CRANK AND PITMAN	120-48
			4C24	SHOE SUSPENSION, CLEANING	120-44
			1B6	SHORT BLOCK ASSEMBLY	20-2
			2I18	SIDE SHEETS, LEFT-HAND	80-8
			2I16	SIDE SHEETS, RIGHT-HAND	80-6
			4C22	SIEVES, RETURN PAN	120-42
			4D7	SLIP CLUTCH - STRAW WALKER DRIVE	120-52
			1I19	SOLENOIDS, DISTRIBUTOR BOX	40-78
			3D7	SOUNDPROOFING, CAB	90-50
			3C21	SOUNDPROOFING, OPERATOR'S PLATFORM	90-40
	S				
4F17	SAFETY RAIL, STRAW SPREADER	120-106			
1G19	SAFETY STARTING SWITCH	40-31			
1H15	SAFETY-SWITCH, CONTROL LEVER	40-52			
2F12	SEAL KIT, STEERING PUMP	60-34			
1D10	SEALING PADS, ENGINE COMPARTMENT	20-53			
3B16	SEAT	90-11			
3B21	SEAT ADJUSTMENT	90-16			
3B17	SEAT CUSHIONS	90-12			
3B19	SEAT MOUNTING	90-14			
3B15	SEAT SUPPORT	90-10			
1B3	SECTIONAL PICTORIAL INDEX	20-A01			
1B4	SECTIONAL PICTORIAL INDEX	20-A02			
1B5	SECTIONAL PICTORIAL INDEX	20-A03			
1D20	SECTIONAL PICTORIAL INDEX	30-A02			
1D21	SECTIONAL PICTORIAL INDEX	30-A03			
1F9	SECTIONAL PICTORIAL INDEX	40-A01			

1A21

4435 AND 4435 HYDRO COMBINES

ALPHABETICAL INDEX - CONTINUED

<i>GRID</i>		<i>PAGE</i>	<i>GRID</i>	<i>PAGE</i>
1H23	WARNING SYSTEM, STRAW WALKER.....	40-60		
1C25	WATER MANIFOLD	20-43		
1C18	WATER PUMP	20-36		
2E3	WHEELS, DRIVE	50-70		
4H3	WINDOWS, GRAIN TANK	130-28		
1J5	WINDSHIELD WIPERS (UPPER)	40-88		
1J5	WIPERS (UPPER), WINDSHIELD	40-88		
3E16	WIRE TRAY, AIR CONDITIONING HOSES	90-83		
3E16	WIRE TRAY, HEATER HOSES	90-83		
1H17	WIRING HARNESS - INSTRUMENT PANEL	40-54		
1G20	WIRING HARNESS, BASIC	40-32		
1G22	WIRING HARNESS, BASIC	40-34		
1G24	WIRING HARNESS, BASIC	40-36		
1J7	WIRING HARNESS, BASIC	40-90		
1F21	WIRING HARNESS, ENGINE	40-8		
1I13	WIRING HARNESS, GRAIN TANK	40-73A		
1H7	WIRING HARNESS, LOW SHAFT SPEED CONTROL SENDING UNIT	40-44		
1G14	WIRING HARNESS, OPERATOR'S PLATFORM	40-26		
1G12	WIRING HARNESS, TRANSMISSION	40-24		
1I5	WIRING HARNESES, HARVESTRAK.....	40-66		
1I23	WIRING, CAB ROOF	40-82		

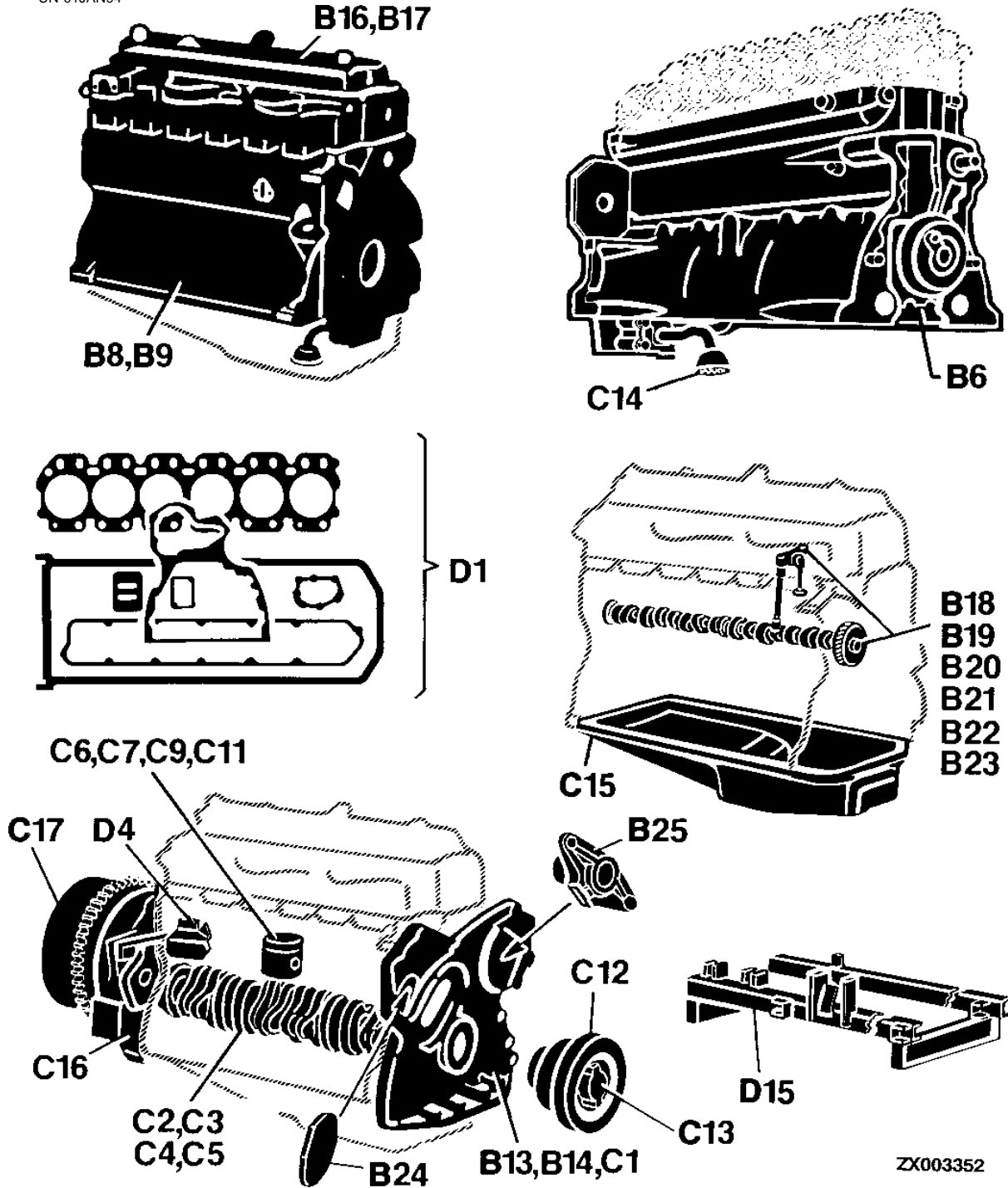
1B3

ENGINE

SECTIONAL PICTORIAL INDEX

XX
 XX
 XX
 XX
 XX
 XX
 XX
 XX
 XX
 XX

ZX003352 -UN-01JAN94



ZX003352

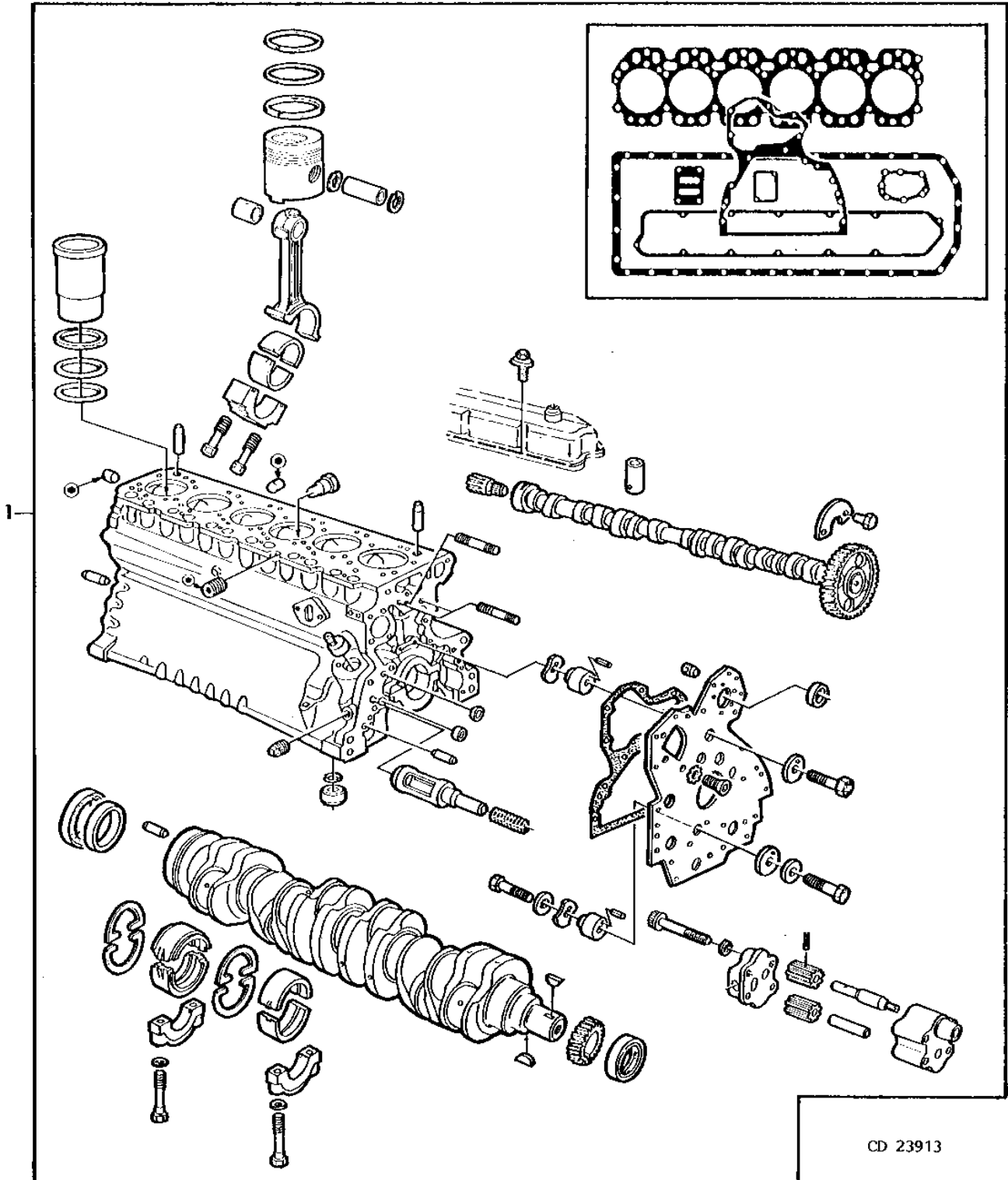
1B6

ENGINE

CD23913

-UN-01JAN94

SHORT BLOCK ASSEMBLY



1B7

ENGINE

SHORT BLOCK ASSEMBLY - CONTINUED

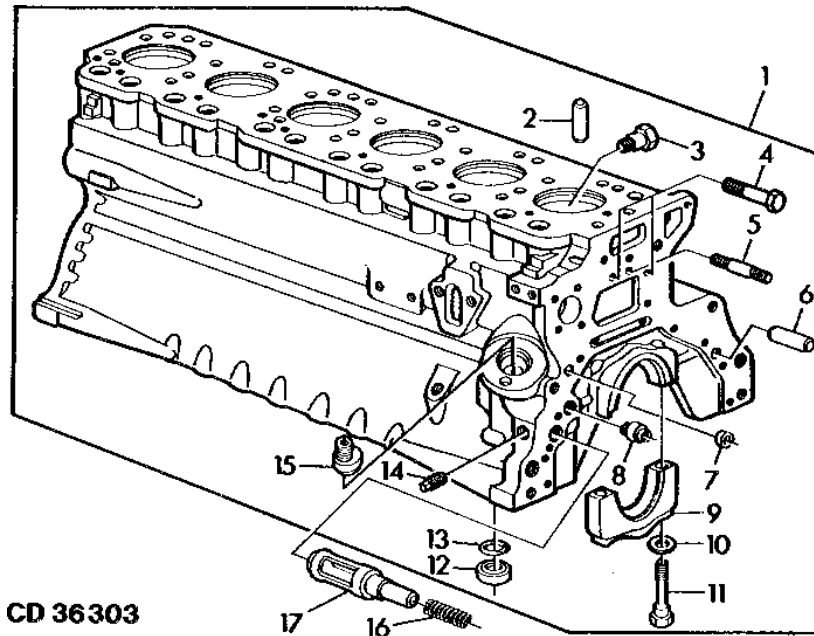
KEY	PART NO.	PART NAME	QTY	ENGINE SERIAL NO.	4	REMARKS
					4	
					4 3	
					4 5	
					3 H	
					5 Y	
1	RE25591	SHORT BLOCK ASSEMBLY	1		X	(MARKED R80725)
	RE25570	SHORT BLOCK ASSEMBLY	1		X	(MARKED R80725)

1B8

ENGINE

CD36303 -UN-01JAN94

CYLINDER BLOCK (FRONT AND R.H. VIEW)



CD 36303

KEY	PART NO.	PART NAME	QTY	ENGINE SERIAL NO.	REMARKS
				4	
				4	
				4 3	
				4 5	
				3 H	
				5 Y	
1	RE25591	CYLINDER BLOCK	1		X X (MARKED R80725)
2	A120R	DOWEL PIN	2		X X LOW
	A120R	DOWEL PIN	2		X X UP
3	R54802	ORIFICE	6		X X
4	19H1726	CAP SCREW	2	831969-	X 3/8" X 2-1/4"
	19H1726	CAP SCREW	2		X 3/8" X 2-1/4"
5	R82674	STUD	1		X X 3/8"-24UNF X 1.969"
6	A4879R	DOWEL PIN	2		X X
7	T18891	CAP	1		X X
8	R26493	BUSHING	1		X X
9	R65215	BEARING CAP	6		X X
10	T20168	WASHER	12		X X
11	T23474	CAP SCREW	12		X X
12	R75893	FITTING	1		X X
13	R75892	O-RING	1		X X
14	15H255	PIPE PLUG	1		X X 3/8"
15	T23435	THREADED NIPPLE	1		X X
16	R46625	SPRING	1		X X
17	R73139	VALVE	1		X X

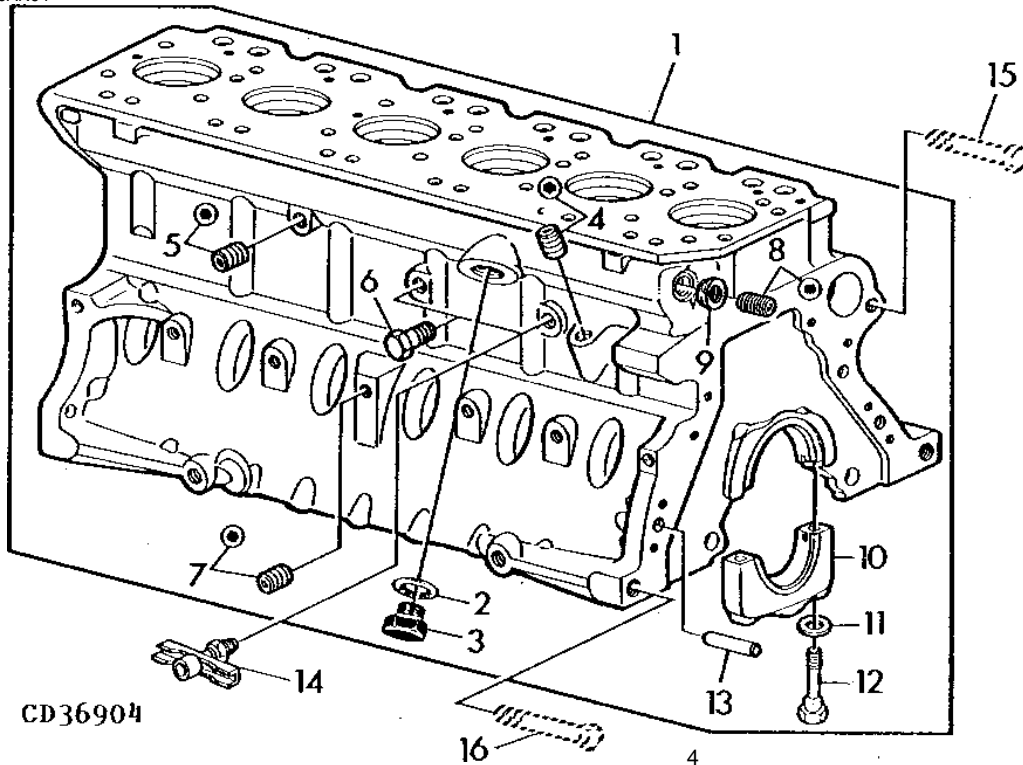
1B9

ENGINE

CD36904

-UN-01JAN94

CYLINDER BLOCK (REAR AND L.H. VIEW)



CD36904

4
4
4 3
4 5
3 H
5 Y

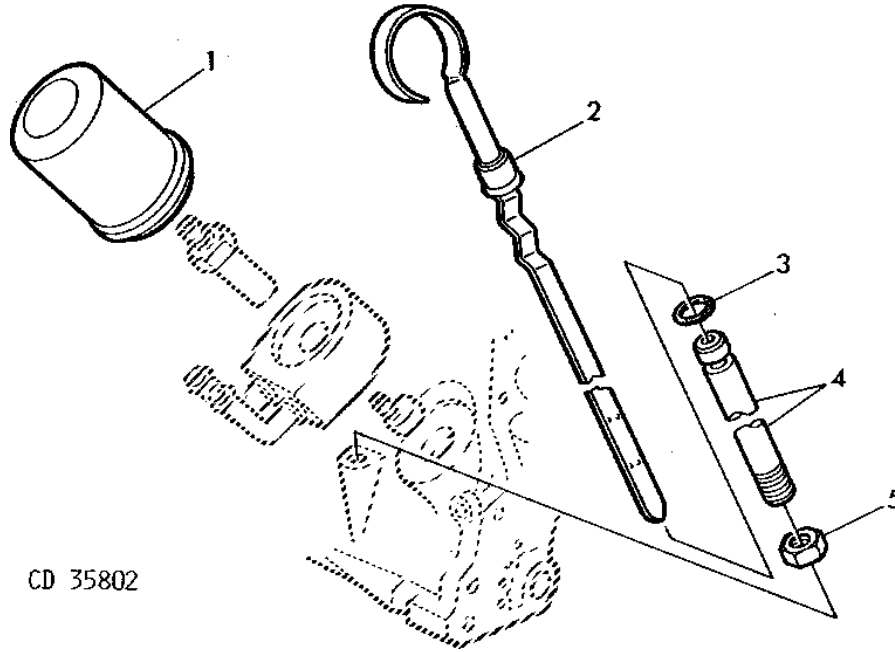
KEY	PART NO.	PART NAME	QTY	SERIAL NO.	REMARKS
1	RE25591	CYLINDER BLOCK	1		X X (MARKED R80725)
2	U13639	O-RING	1		X X
3	R92159	DRAIN PLUG	1		X X
4	15H624	PIPE PLUG	AR		X X 1/2"
5	15H275	PIPE PLUG	1		X X 1/4"
6	R55233	PIPE PLUG	2		X X 1/4"
7	15H558	PIPE PLUG	AR		X X 1/8"
8	15H665	PIPE PLUG	1	-851316	X 3/4"
	15H562	PIPE PLUG	1	851317-	X 1"
	15H562	PIPE PLUG	1		X 1"
9	15H616	PIPE BUSHING	1	-851316	X O.D. X I.D. = 1" X 3/4"
	15H616	PIPE BUSHING	1		X O.D. X I.D. = 1" X 3/4"
	L62675	ADAPTER	AR		X X O.D. X I.D. = 1" X 3/4"
10	R79089	CAP	1		X X
11	T20168	WASHER	2		X X
12	T23474	CAP SCREW	2		X X
13	R48685	DOWEL PIN	2		X X
14	AT13740	DRAIN VALVE	AR		X X
15	CAP SCREW	2		X X 5/8"-11UNC, UPPER
16	CAP SCREW	2		X X 5/8"-11UNC, LOWER

1B10

ENGINE

CD35802 -UN-01JAN94

OIL FILTER & DIPSTICK



CD 35802

4
4
4 3
4 5
3 H
5 Y

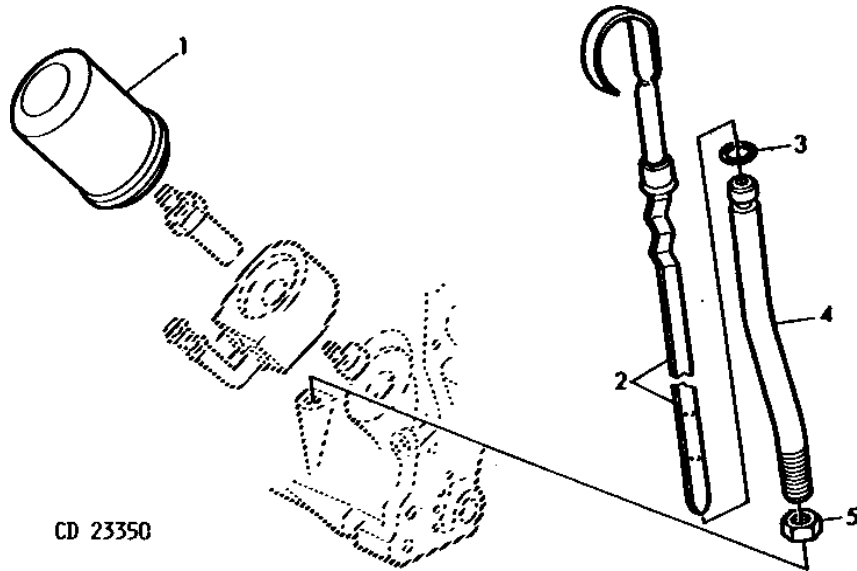
KEY	PART NO.	PART NAME	QTY	SERIAL NO.	REMARKS
1	T19044	OIL FILTER	1	X	
2	RE24826	DIPSTICK	1	X	LENGTH= 490MM (19.44")
3	R10093	O-RING	1	X	
4	R49824	DIPSTICK TUBE	1	X	LENGTH= 290MM (11.41")
5	14H826	NUT	1	X	1/2"

1B11

ENGINE

CD23350 -UN-01JAN94

OIL FILTER & DIPSTICK



4
4
4 3
4 5
3 H
5 Y

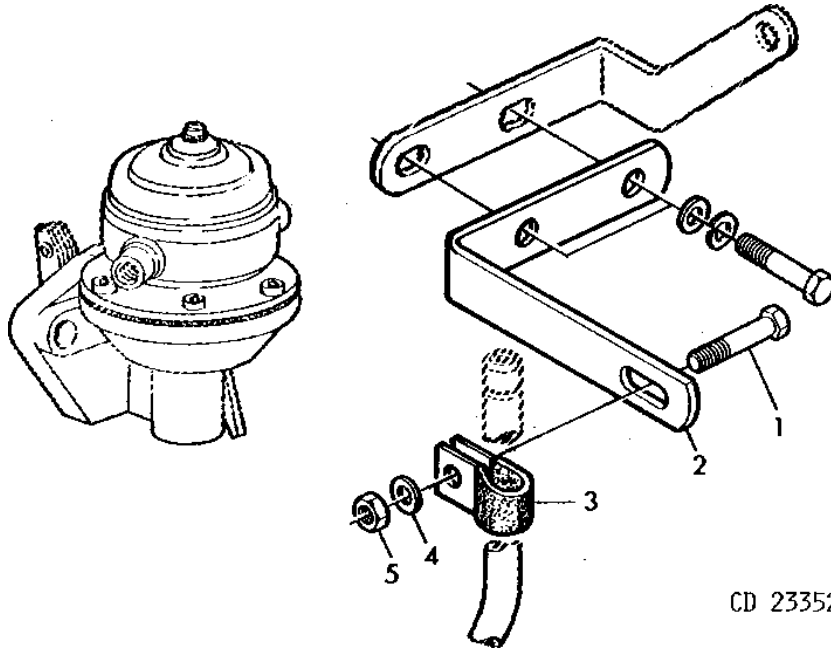
KEY	PART NO.	PART NAME	QTY	ENGINE SERIAL NO.	REMARKS
1	T19044	OIL FILTER	1	X	
2	AT23141	DIPSTICK	1	X	LGTH=494MM (19.45")
3	R10093	O-RING	1	X	
4	R82868	GUIDE	1	X	LGTH=303MM (11.92")
	R100828	GUIDE	1	X	LGTH=360MM (14.17")
5	14H826	NUT	1	X	1/2"

1B12

ENGINE

CD23352 -UN-01JAN94

OIL DIPSTICK FASTENING



CD 23352

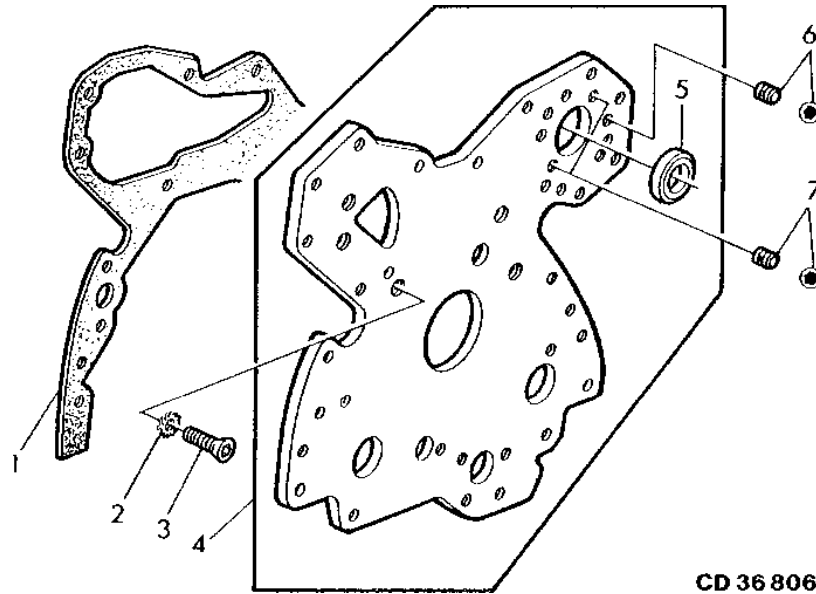
KEY	PART NO.	PART NAME	QTY	ENGINE SERIAL NO.	REMARKS
1	19H1813	CAP SCREW	1	4	X 5/16" X 5/8"
2	R91887	BRACKET	1	4	X
3	R34557	CLAMP	1	4 3	X
4	24H1136	WASHER	1	4 5	X 11/32" X 11/16" X 0.065"
5	14H785	NUT	1	3 H	X 5/16"
				5 Y	

1B13

ENGINE

CD36806 -UN-01JAN94

FRONT PLATE



CD 36 806

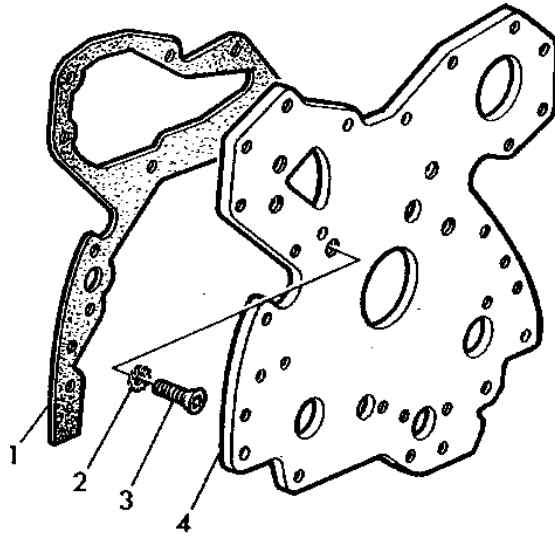
KEY	PART NO.	PART NAME	QTY	ENGINE SERIAL NO.	REMARKS
				4	
				4	
				4 3	
				4 5	
				3 H	
				5 Y	
1	R90648	GASKET	1	X	
2	12H324	WASHER	5	X	3/8"
3	T20166	SCREW	5	X	
4	RE16149	PLATE	1	X	(ALSO ORDER (8) AT21191 AND (2) AT22919)
5	R79854	WASHER	AR	X	
6	AT21191	SET SCREW	8	X	5/16" X 0.380"
7	AT22919	SET SCREW	2	X	3/8" X 0.380"

1B14

ENGINE

CD26021 -UN-01JAN94

FRONT PLATE



CD 26021

KEY	PART NO.	PART NAME	QTY	SERIAL NO.	REMARKS
1	R90648	GASKET	1		X
2	12H324	WASHER	5		X 3/8"
3	T20166	SCREW	5		X 3/8" X 5/8"
4	R56057	PLATE	1		X

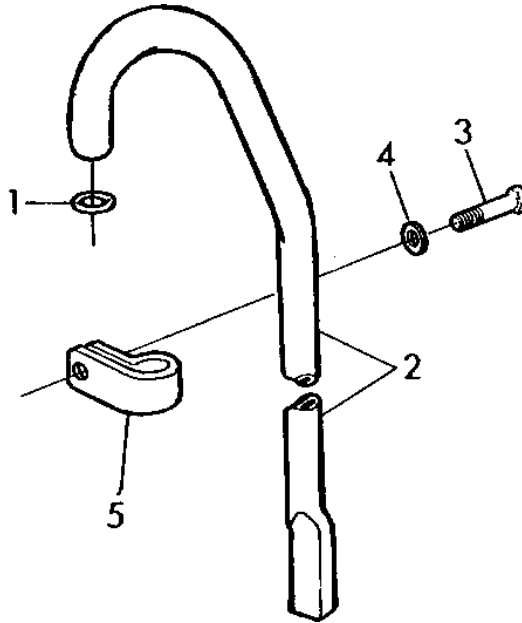
4
4
4 3
4 5
3 H
5 Y

1B15

ENGINE

CD36500 -UN-01JAN94

VENT TUBE



CD 36500

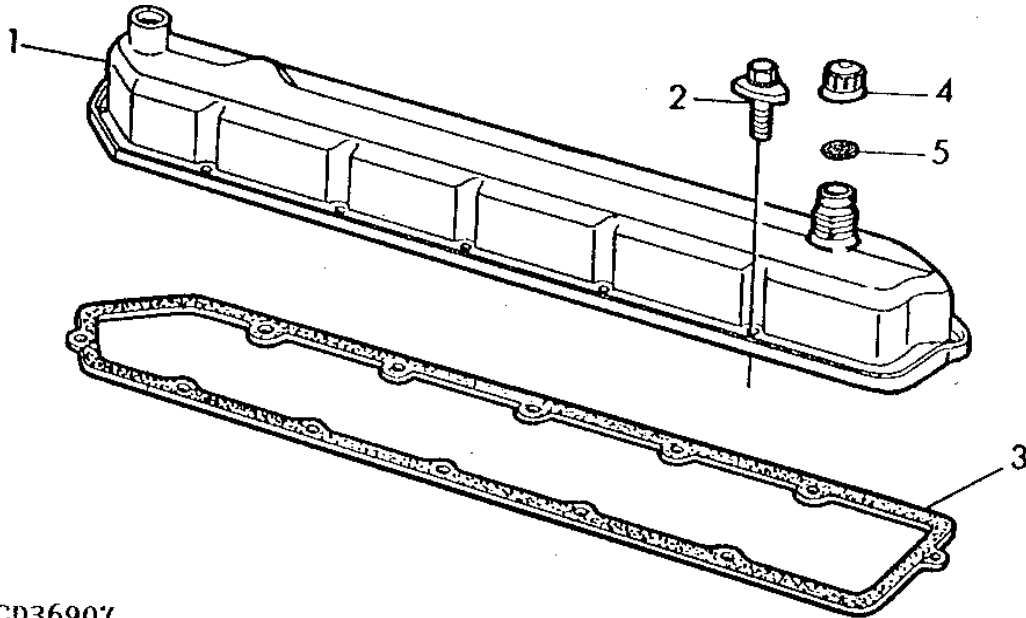
KEY	PART NO.	PART NAME	QTY	ENGINE SERIAL NO.	REMARKS
				4	
				4	
				4 3	
				4 5	
				3 H	
				5 Y	
1	R56463	O-RING	1	X X	
2	T20074	TUBE	1	X X	
3	19H1813	CAP SCREW	1	X X	5/16" X 5/8"
4	24H1685	WASHER	1	X X	11/32" X 47/64" X 0.083"
5	R40791	CLAMP	1	X X	

1B16

ENGINE

CD36907 -UN-01JAN94

ROCKER ARM COVER



CD36907

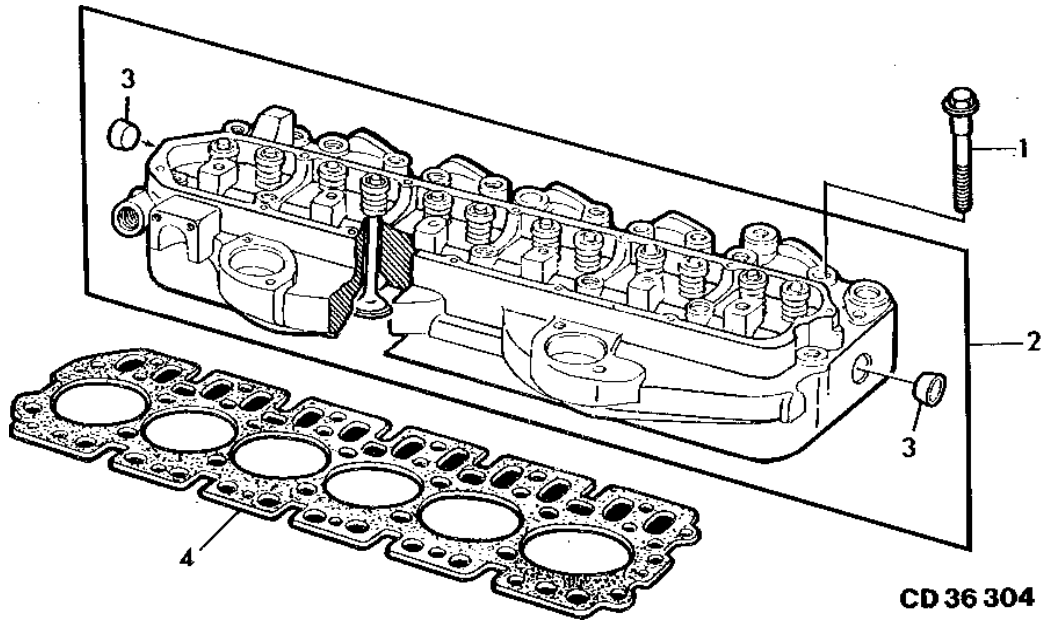
KEY	PART NO.	PART NAME	QTY	ENGINE SERIAL NO.	REMARKS
				4	
				4	
				4 3	
				4 5	
				3 H	
				5 Y	
1	AR84958	VALVE COVER	1		X
	RE26871	VALVE COVER	1		X
2	AR100124	SCREW, WITH WASHER	12		X X
3	AR102260	KIT	1		X X
4	T20294	CAP	1		X X
5	T20328	GASKET	1		X X

1B17

ENGINE

CD36304 -UN-01JAN94

CYLINDER HEAD



CD 36 304

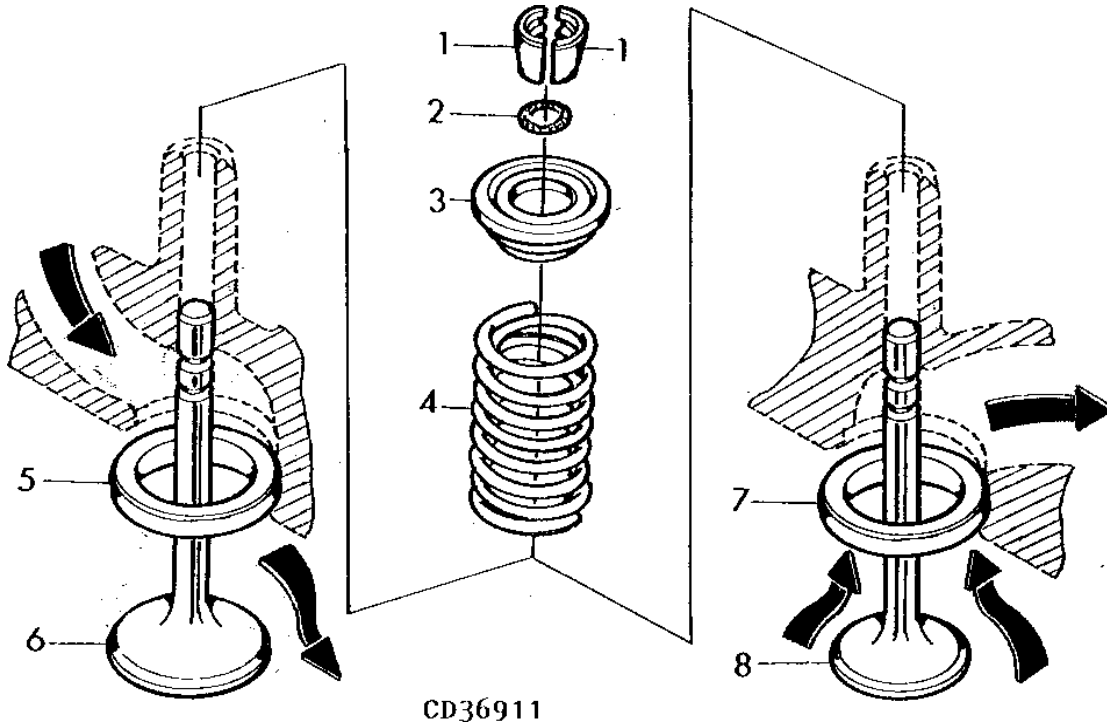
KEY	PART NO.	PART NAME	QTY	ENGINE SERIAL NO.	REMARKS
				4	
				4	
				4 3	
				4 5	
				3 H	
				5 Y	
1	R85363	CAP SCREW	26	X X	12.7MMX112MM (0.5"X4.41")
2	AR76241	CYLINDER HEAD	1	X	(MARKED R62143)
	AR73978	CYLINDER HEAD	1	X	(MARKED R62143)
3	CD16284	CAP	1	X X	O.D.32.4MM (1.274")
4	R92426	GASKET	1	X X	

1B18

ENGINE

CD36911 -UN-01JAN94

VALVES/VALVES SEATS/SPRINGS/RETAINERS



CD36911

4
4
4 3
4 5
3 H
5 Y

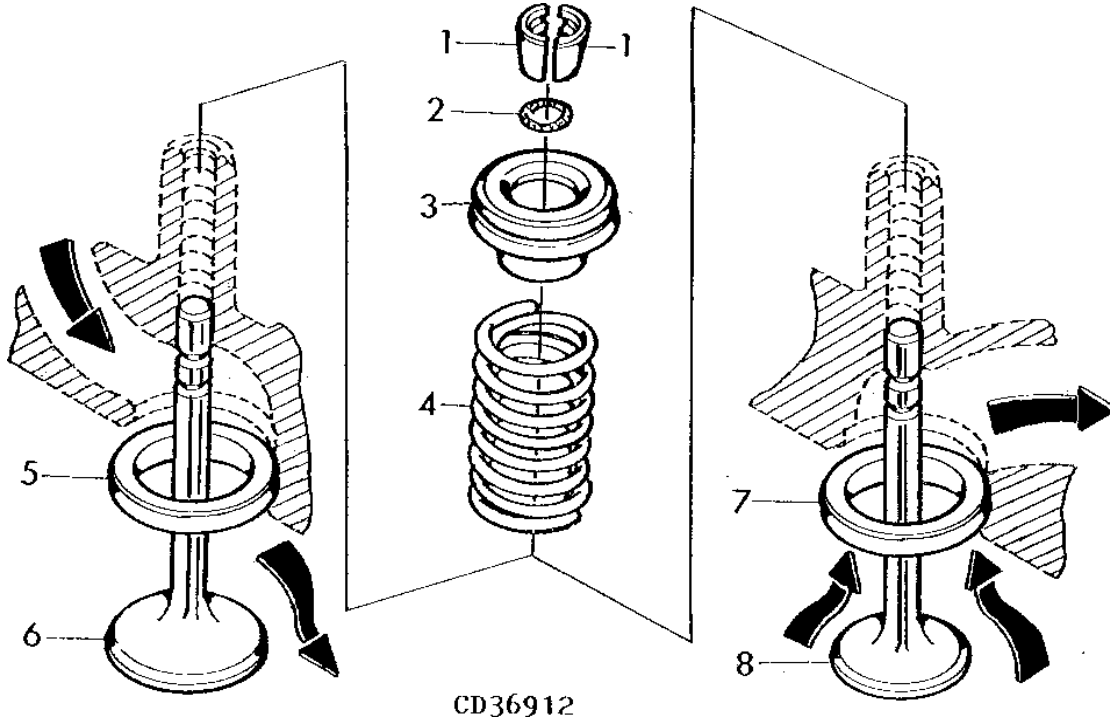
KEY	PART NO.	PART NAME	QTY	ENGINE SERIAL NO.	REMARKS
1	T20077	RETAINER	24		X
2	R87627	O-RING	AR	-811234	X (ALSO ORDER R41412) THIS APPLICATION
	R87627	O-RING	AR	811235-	X
3	R41412	CAP	12		X (SUB FOR T20176)
4	R26125	SPRING	12		X
5	R97779	VALVE SEAT INSERT	AR		X (SUB FOR CD14725) INTAKE
6	R79623	INTAKE VALVE	6		X O.D.= STANDARD
	R79628	INTAKE VALVE	AR		X O.D.=+0.076MM (0.003")
	R79629	INTAKE VALVE	AR		X O.D.=+0.381MM (0.015")
	R79630	INTAKE VALVE	AR		X O.D.=+0.762MM (0.030")
7	R97778	VALVE SEAT INSERT	6		X (SUB FOR CD13979) EXHAUST
8	R79624	EXHAUST VALVE	6		X O.D.= STANDARD
	R79625	EXHAUST VALVE	AR		X O.D.=+0.076MM (0.003")
	R79626	EXHAUST VALVE	AR		X O.D.=+0.381MM (0.015")
	R79627	EXHAUST VALVE	AR		X O.D.=+0.762MM (0.030")

1B19

ENGINE

CD36912 -UN-01JAN94

VALVES/VALVES SEATS/SPRINGS/RETAINERS



CD36912

4
4
4 3
4 5
3 H
5 Y

KEY	PART NO.	PART NAME	QTY	ENGINE SERIAL NO.	REMARKS
1	T20077	RETAINER	24		X
2	R87627	O-RING	AR		X
3	RE11410	ROTATOR	12		X
4	R26125	SPRING	12		X
5	R97779	VALVE SEAT INSERT	6		X INTAKE
6	R89219	INTAKE VALVE	6		X O.D.= STANDARD
	R89220	INTAKE VALVE	AR		X O.D.= + 0.076MM (0.003")
	R89221	INTAKE VALVE	AR		X O.D.= +0.381MM (0.015")
	R89222	INTAKE VALVE	AR		X O.D.= +0.762MM (0.030")
7	R97778	VALVE SEAT INSERT	6		X EXHAUST
8	R79624	EXHAUST VALVE	6		X O.D.= STANDARD
	R79625	EXHAUST VALVE	AR		X O.D.=+0.076MM (0.003")
	R79626	EXHAUST VALVE	AR		X O.D.=+0.381MM (0.015")
	R79627	EXHAUST VALVE	AR		X O.D.=+0.762MM (0.030")

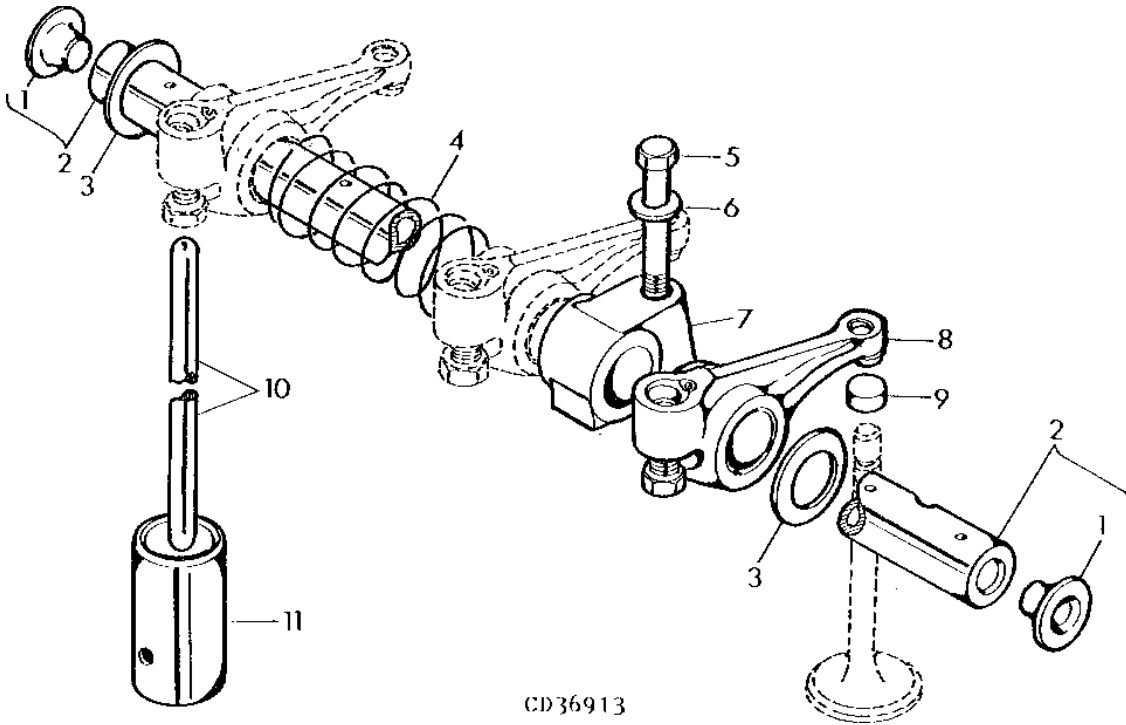
1B20

ENGINE

CD36913

-UN-01JAN94

ROCKER ARMS/SHAFT/TAPPETS/PUSH RODS



CD36913

KEY	PART NO.	PART NAME	QTY	ENGINE SERIAL NO.		REMARKS
				3 H	5 Y	
				4		
				4		
				4	3	
				4	5	
				3	H	
				5	Y	
1	R54565	PLUG	2		X X	
2	DD12121	ROCKER ARM SHAFT	1		X X	
3	T20316	WASHER	2		X X	
4	T20314	SPRING	5		X X	
5	19H1733	CAP SCREW	5		X X	3/8" X 2-1/2"
6	R42729	WASHER	6		X X	
7	T20315	SUPPORT	6		X X	
8	RE19031	ROCKER ARM	12		X X	
9	T20129	CAP	12		X X	
10	T20310	PIN	12		X X	
11	T20073	TAPPET	12		X X	

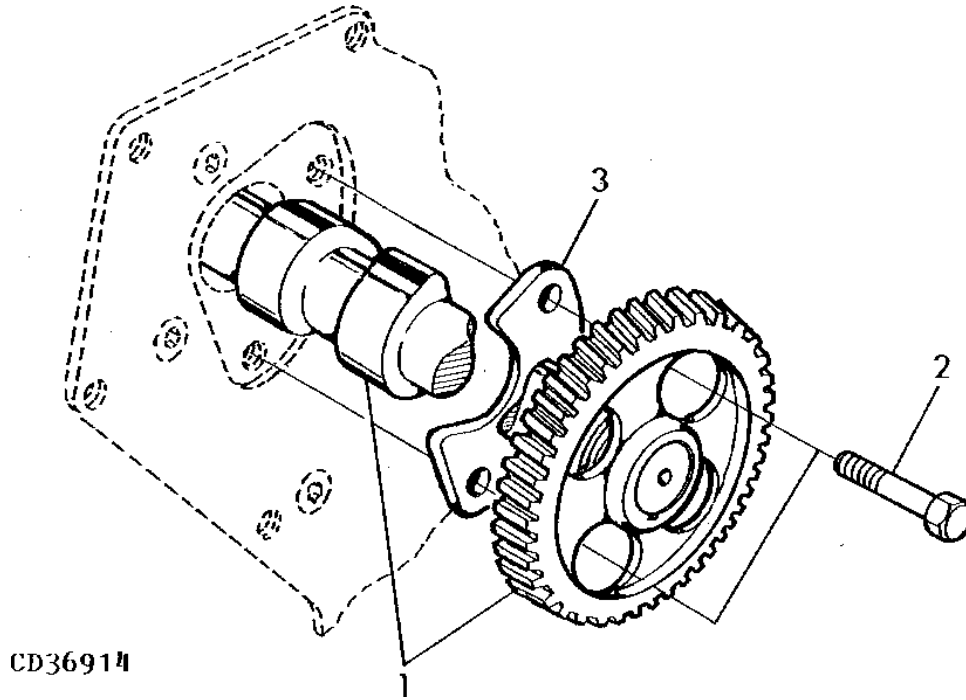
MEMORANDA

1B21

ENGINE

CD36914 -UN-01JAN94

CAMSHAFT



CD36914

4
4
4 3
4 5
3 H
5 Y

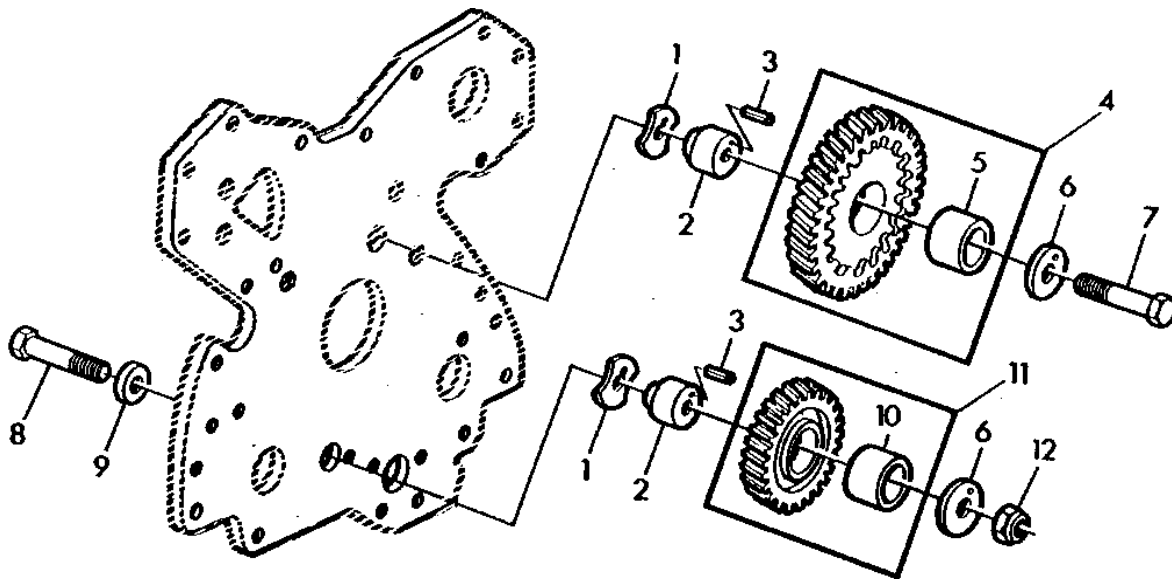
KEY	PART NO.	PART NAME	QTY	ENGINE SERIAL NO.	REMARKS
1	RE14977	CAMSHAFT	1	X X	(MARKED R79345)
2	19H1733	CAP SCREW	2	X X	3/8" X 2-1/2"
3	T20072	PLATE	1	X X	

1B22

ENGINE

CD35672 -UN-01JAN94

IDLE GEARS (-868856)



CD 35672

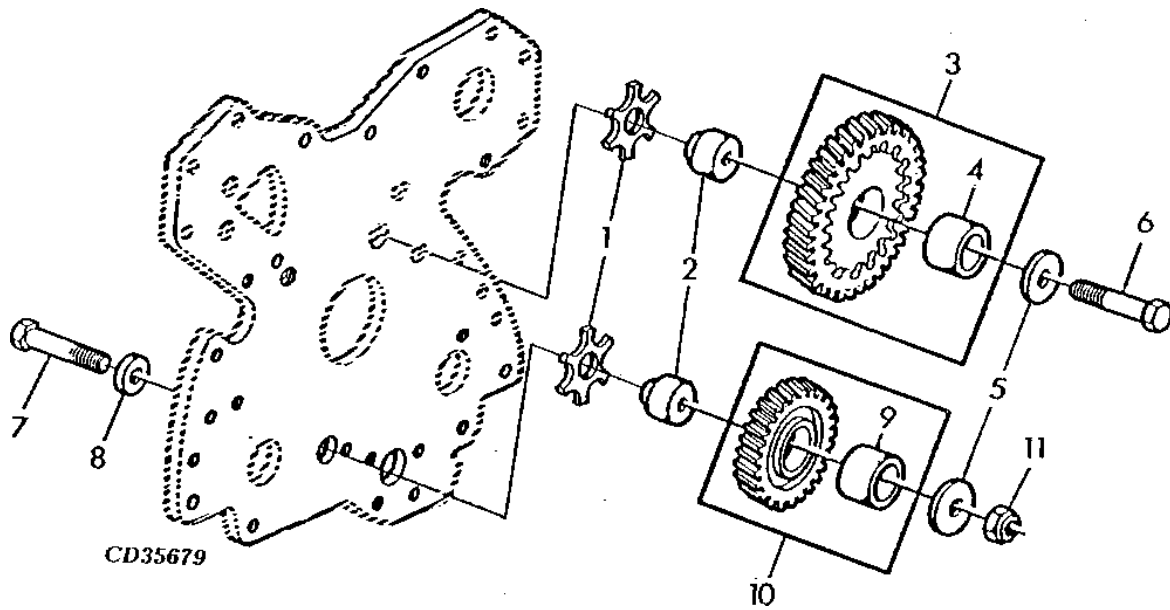
KEY	PART NO.	PART NAME	QTY	ENGINE SERIAL NO.	REMARKS
					4
					4
					4 3
					4 5
					3 H
					5 Y
1	T26324	THRUST WASHER	2		X X (ORDER R101224, R101225 AND R101227)
2	R89824	SHAFT	2		X X (ORDER R101224, R101225 AND R101227)
3	34H283	SPRING PIN	1		X X 3/16" X 1-1/8", UP
	34H286	SPRING PIN	1	-789198	X X 3/16" X 1-1/2", LOW
	34H283	SPRING PIN	1	789199-	X X 3/16" X 1-1/8", LOW
4	AR91660	GEAR	1		X X Z=55, UP
5	T20034	BUSHING	1		X X
6	T26326	THRUST WASHER	2		X X (ORDER R101224, R101225 AND R101227)
7	T26327	SCREW	1		X X 1/2" X 2-1/4", UP
8	19H3011	CAP SCREW	1		X X 1/2" X 2-1/8", LOW
9	R76126	WASHER	1	-789198	X X LOW, (ORDER R100105 AND 34H283)
	R100105	WASHER	1	789199-	X X
10	T26321	BUSHING	1		X X LOW
11	AT24252	GEAR	1		X X Z=45, LOW
12	14H865	NUT	1		X X 1/2", LOW

1B23

ENGINE

CD35679 -UN-01JAN94

IDLE GEARS (868857-)



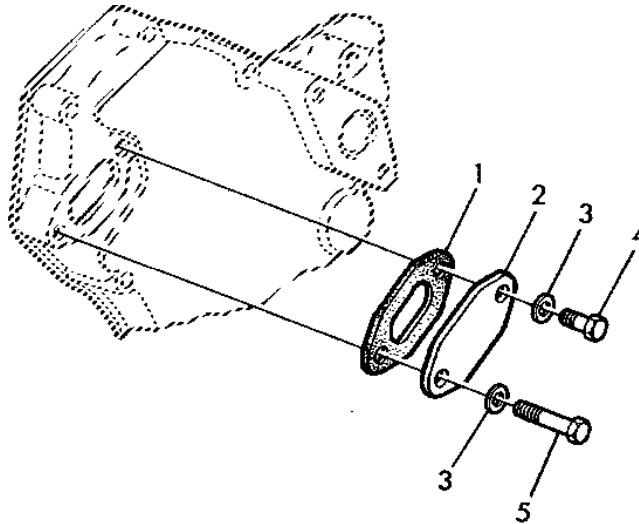
KEY	PART NO.	PART NAME	QTY	ENGINE SERIAL NO.	REMARKS
				4	
				4	
				4 3	
				4 5	
				3 H	
				5 Y	
1	R101225	THRUST WASHER	2	X X	
2	R101224	PIN	2	X X	
3	AR91660	GEAR	1	X X	Z=55, UP
4	T20034	BUSHING	1	X X	
5	R101227	THRUST WASHER	2	X X	
6	T26327	SCREW	1	X X	UP
7	19H3011	CAP SCREW	1	X X	1/2" X 2-1/8"
8	R100105	WASHER	1	X X	
9	T26321	BUSHING	1	X X	LOW
10	AT24252	GEAR	1	X X	Z=45, LOW
11	14H865	NUT	1	X X	1/2", LOW

1B24

ENGINE

CD23133 -UN-01JAN94

CLOSING (WITHOUT FILLER NECK)



CD 23133

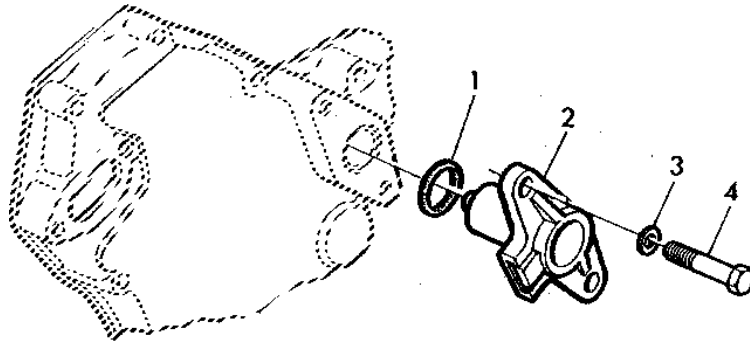
KEY	PART NO.	PART NAME	QTY	ENGINE SERIAL NO.	REMARKS
				4	
				4	
				4 3	
				4 5	
				3 H	
				5 Y	
1	R97352	GASKET	1	X X	
2	T23260	COVER	1	X X	
3	24H1304	WASHER	2	X X	13/32" X 23/32" X 0.120"
4	19H2284	CAP SCREW	1	X X	3/8" X 7/8"
5	19H1726	CAP SCREW	1	X X	3/8" X 2-1/4"

1B25

ENGINE

CD23134 -UN-01JAN94

MAGNETIC PICK UP



CD 23134

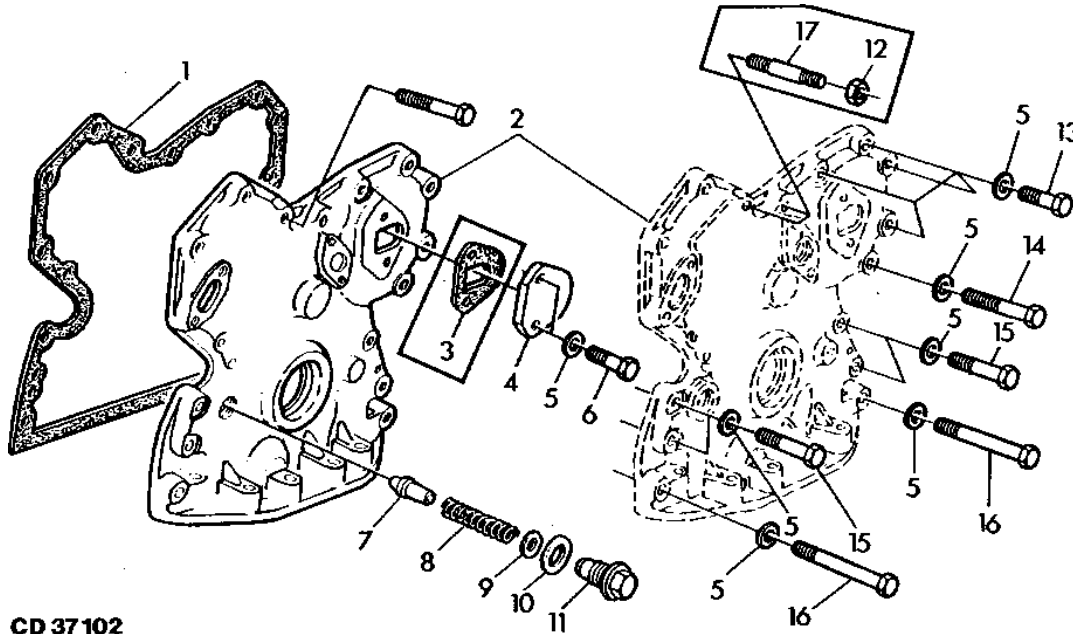
KEY	PART NO.	PART NAME	QTY	ENGINE SERIAL NO.	REMARKS
				4	
				4	
				4 3	
				4 5	
				3 H	
				5 Y	
1	R47154	O-RING	1	X X	
2	RE23375	SENDER	1	X X	
3	24H1286	WASHER	2	X X	9/32" X 1/2" X 1/16"
4	19H2036	CAP SCREW	2	X X	1/4" X 7/8"

1C1

ENGINE

CD37102 -UN-01JAN94

TIMING GEAR COVER



CD 37102

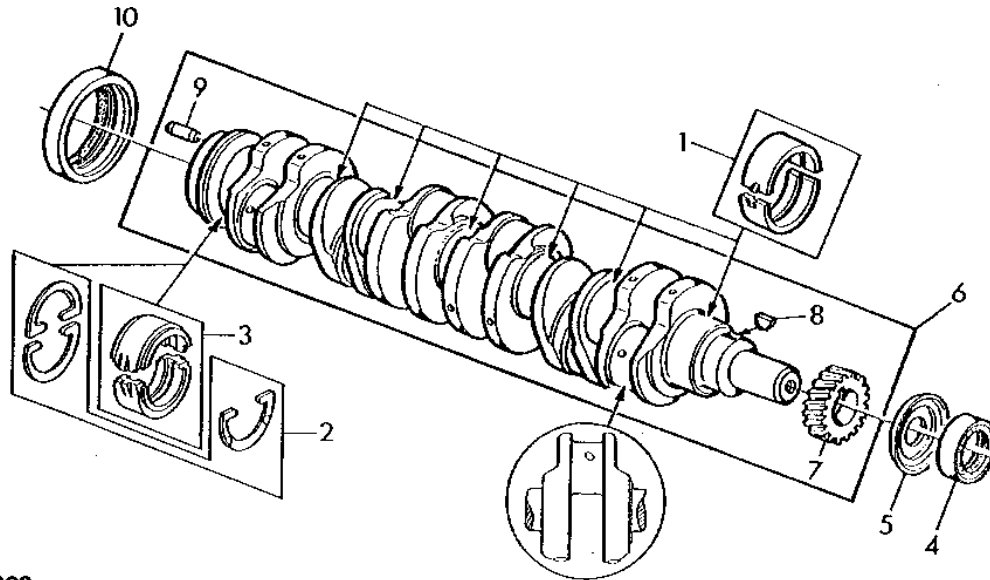
KEY	PART NO.	PART NAME	QTY	ENGINE SERIAL NO.	REMARKS
				4	
				4	
				4 3	
				4 5	
				3 H	
				5 Y	
1	R97454	GASKET	1	X X	
2	RE30685	COVER	1	X X	
3	R69260	GASKET	1	-801723 X	(ORDER DD14928)
4	T20362	COVER	1	X X	
5	24H1304	WASHER	13	X X	13/32" X 23/32" X 0.120"
6	19H2284	CAP SCREW	2	X X	3/8" X 7/8"
7	R83169	VALVE	1	X X	
8	T27658	SPRING	1	X X	
9	24H1290	WASHER	AR	X X	21/64" X 3/4" X 0.035"
10	A4827R	WASHER	1	X X	
11	R91692	FITTING PLUG	1	X X	
12	14H774	NUT	1	-831968 X	3/8"-24UNF
13	19H2545	CAP SCREW	4	X X	3/8" X 1-3/8"
14	19H3181	CAP SCREW	1	X X	3/8" X 2"
15	19H2549	CAP SCREW	4	X X	3/8" X 1-7/8"
16	19H1733	CAP SCREW	2	X X	3/8" X 2-1/2"
17	R84984	STUD	2	-831968 X	3/8"-16UNC X 3/8"-24UNF
..	DD14928	LIQUID GASKET	1	801724- X X	KIT

1C2

ENGINE

CD38302 -UN-01JAN94

CRANKSHAFT/BEARINGS ENGINE SERIAL NO.(-927838)



CD38302

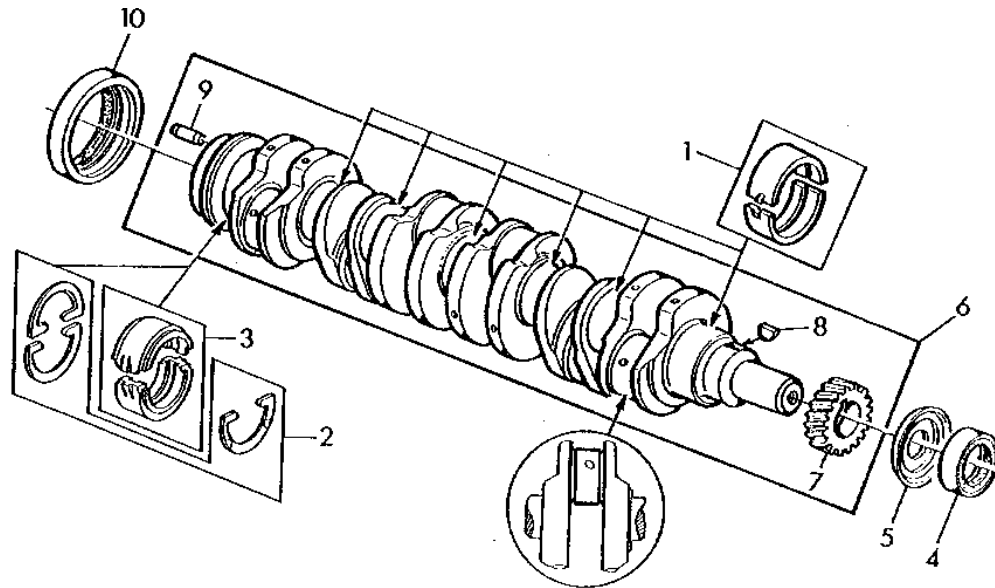
KEY	PART NO.	PART NAME	QTY	ENGINE SERIAL NO.	REMARKS
				4	
				4	
				4 3	
				4 5	
				3 H	
				5 Y	
1	RE27352	KIT	1	X X	I.D.=STANDARD, (KIT (2) R83380 OR (2) R100808)
	RE27353	KIT	AR	X X	I.D.= -0.254MM (0.010") (KIT (2) R87750)
	RE27360	KIT	AR	X X	I.D.= -0.508MM (0.020") (KIT (2) R87756)
	RE27368	KIT	AR	X X	I.D.= -0.762MM (0.030") (KIT (2) R87759)
2	RE13571	KIT	1	X X	TK =STANDARD, (KIT (3) R78598)
	AR95932	KIT	AR	X X	TK = +0.17MM (0.007") (KIT (3) R64851)
3	RE27350	KIT	1	X X	I.D.=STANDARD, (KIT (2) R83381 OR (2) R100809)
	RE27351	KIT	AR	X X	I.D.= -0.254MM (0.010") (KIT (2) R87749)
	RE27359	KIT	AR	X X	I.D.= -0.508MM (0.020") (KIT (2) R87755)
	RE27366	KIT	AR	X X	I.D.= -0.762MM (0.030") (KIT (2) R87758)
4	AR67942	SEAL	1	X X	
5	T20046	OIL SLINGER	1	X X	
6	AT22562	CRANKSHAFT	1	X X	(MARKED T23266) (ORDER RE48330)
7	T20094	GEAR	1	X X	Z = 24
8	26H72	SHAFT KEY	1	X X	1/8" X 5/8"
9	R48685	DOWEL PIN	1	X X	(SUB FOR A120R)
10	RE44574	SEAL	1	X X	

1C3

ENGINE

CD38303 -UN-01JAN94

CRANKSHAFT/BEARINGS ENGINE SERIAL NO.(927839-)



CD38303

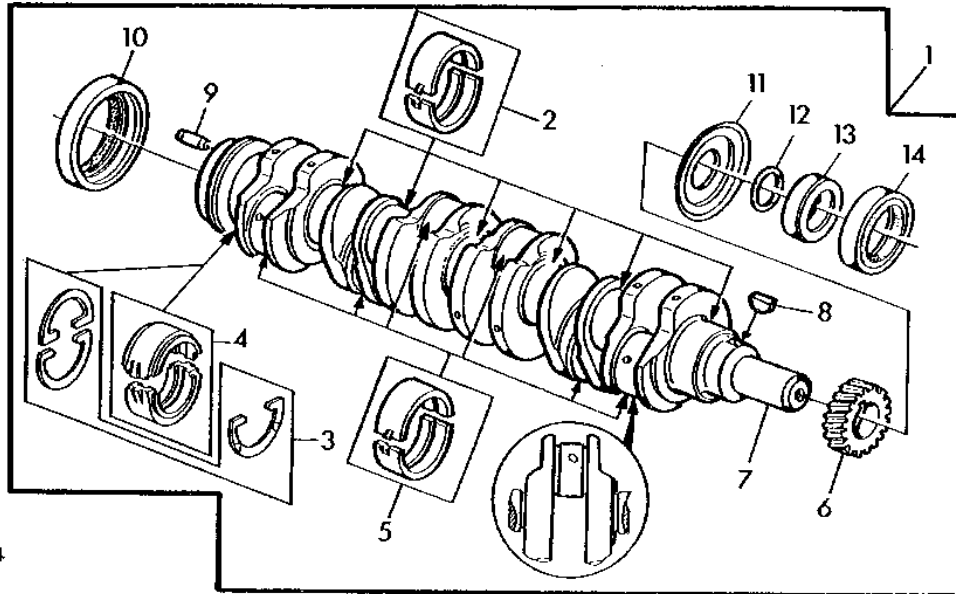
KEY	PART NO.	PART NAME	QTY	ENGINE SERIAL NO.	REMARKS
				4	
				4	
				4 3	
				4 5	
				3 H	
				5 Y	
1	RE27352	KIT	1	X X	I.D.=STANDARD, (KIT (2) R83380 OR (2) R100808)
	RE27353	KIT	AR	X X	I.D.= -0.254MM (0.010") (KIT (2) R87750)
2	RE13571	KIT	1	X X	TK =STANDARD, (KIT (3) R78598)
	AR95932	KIT	AR	X X	TK = +0.17MM (0.007") (KIT (3) R64851)
3	RE27350	KIT	1	X X	I.D.=STANDARD, (KIT (2) R83381 OR (2) R100809)
	RE27351	KIT	AR	X X	I.D.= -0.254MM (0.010") (KIT (2) R87749)
4	AR67942	SEAL	1	X X	FRONT
5	T20046	OIL SLINGER	1	X X	
6	KIT	1	X X	(MARKED R108658 OR R108679) (ORDER RE48330)
7	T20094	GEAR	1	X X	Z = 24
8	26H72	SHAFT KEY	1	X X	1/8" X 5/8"
9	R48685	DOWEL PIN	1	X X	(SUB FOR A120R)
10	RE44574	SEAL	1	X X	

1C4

ENGINE

CD38304 -UN-01JAN94

CRANKSHAFT/BEARINGS - CONVERSION PARTS



CD 38304

KEY	PART NO.	PART NAME	QTY	ENGINE SERIAL NO.	REMARKS
				4	
				4	
				4 3	
				4 5	
				3 H	
				5 Y	
1	RE48330	CRANKSHAFT	1	X X	KIT
2	RE27352	KIT	6	X X	I.D. = STANDARD, (KIT (2) R83380 OR (2) R100808)
3	RE13571	KIT	1	X X	TK = STANDARD, (KIT (3) R78598)
4	RE27350	KIT	1	X X	I.D. = STANDARD, (KIT (2) R83381 OR (2) R100809)
5	RE27348	KIT	6	X X	I.D. = STANDARD, (KIT (2) R83379)
6	T20094	GEAR	1	X X	Z = 24
7	KIT	1	X X	(MARKED R108658 OR R108679) (ORDER RE48330)
8	26H72	SHAFT KEY	1	X X	1/8" X 5/8"
9	R48685	DOWEL PIN	1	X X	(SUB FOR A120R)
10	RE44574	SEAL	1	X X	
11	T20046	OIL SLINGER	1	X X	
12	H35244	RING	1	X X	
13	R81989	SLEEVE	1	X X	
14	AR67942	SEAL	1	X X	

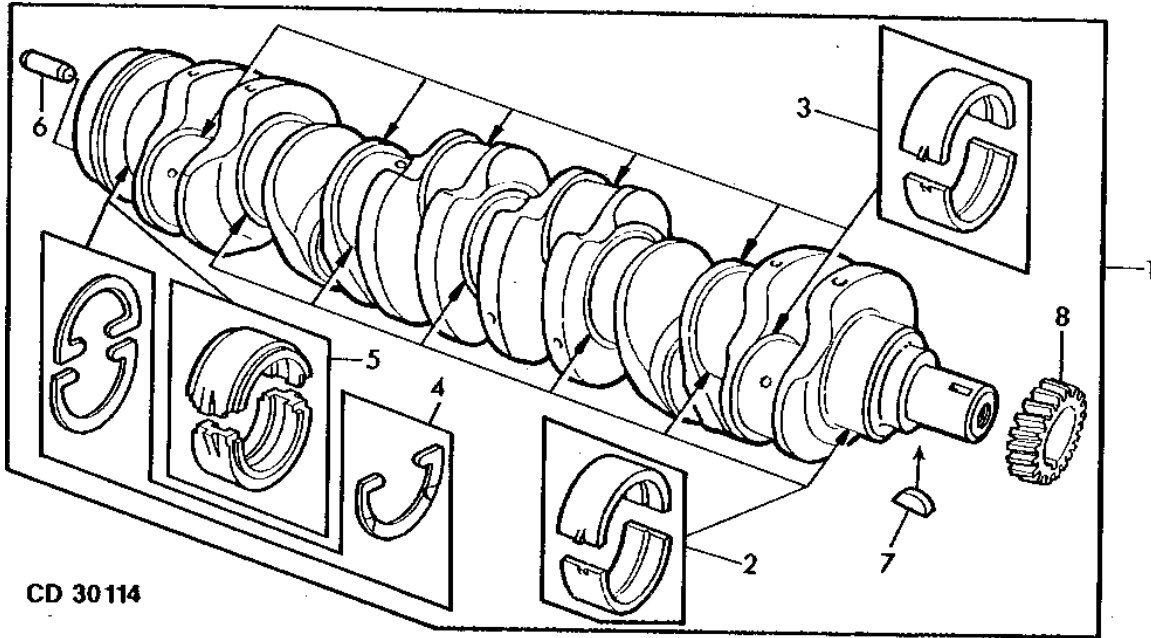
1C5

ENGINE

CD30114

-UN-01JAN94

UNDERSIZE CRANKSHAFT / BEARINGS KIT



KEY	PART NO.	PART NAME	QTY	ENGINE SERIAL NO.	REMARKS
				4	
				4	
				4 3	
				4 5	
				3 H	
				5 Y	
1	RE26205	KIT	AR	X X	(A) KIT, (MARKED "R")
2	RE27353	KIT	6	X X	I.D.= -0.254MM (0.010") (KIT (2) R87750)
3	RE27349	KIT	6	X X	I.D.= -0.254MM (0.010") (KIT (2) R87748)
4	RE13571	KIT	1	X X	REAR, TK = STANDARD, (KIT (3) R78598)
5	RE27351	KIT	1	X X	REAR, I.D. = -0.254MM (0.010"), (KIT (2) R87749)
6	R48685	DOWEL PIN	1	X X	(SUB FOR A120R)
7	26H72	SHAFT KEY	1	X X	1/8" X 5/8"
8	T20094	GEAR	1	X X	Z=24

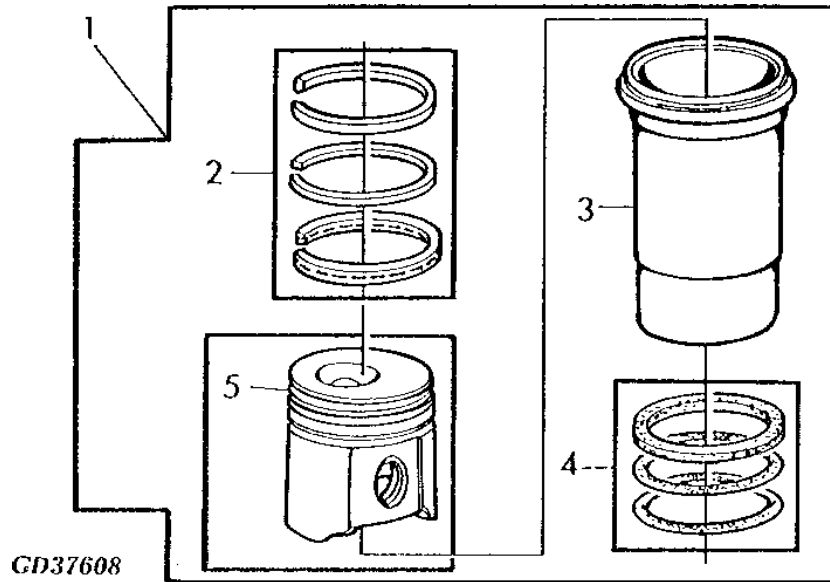
(A) IF AVAILABLE

1C6

ENGINE

CD37608 -UN-01JAN94

CYLINDER LINER AND PISTON KIT



KEY	PART NO.	PART NAME	QTY	ENGINE SERIAL NO.	REMARKS
1	RE30250	KIT	AR		
2	RE15674	PISTON RING KIT	1		
3	R90059	CYLINDER LINER	1		
4	AR65507	O-RING KIT	1		
5	PISTON	AR		

				4	
				4	
				4 3	
				4 5	
				3 H	
				5 Y	

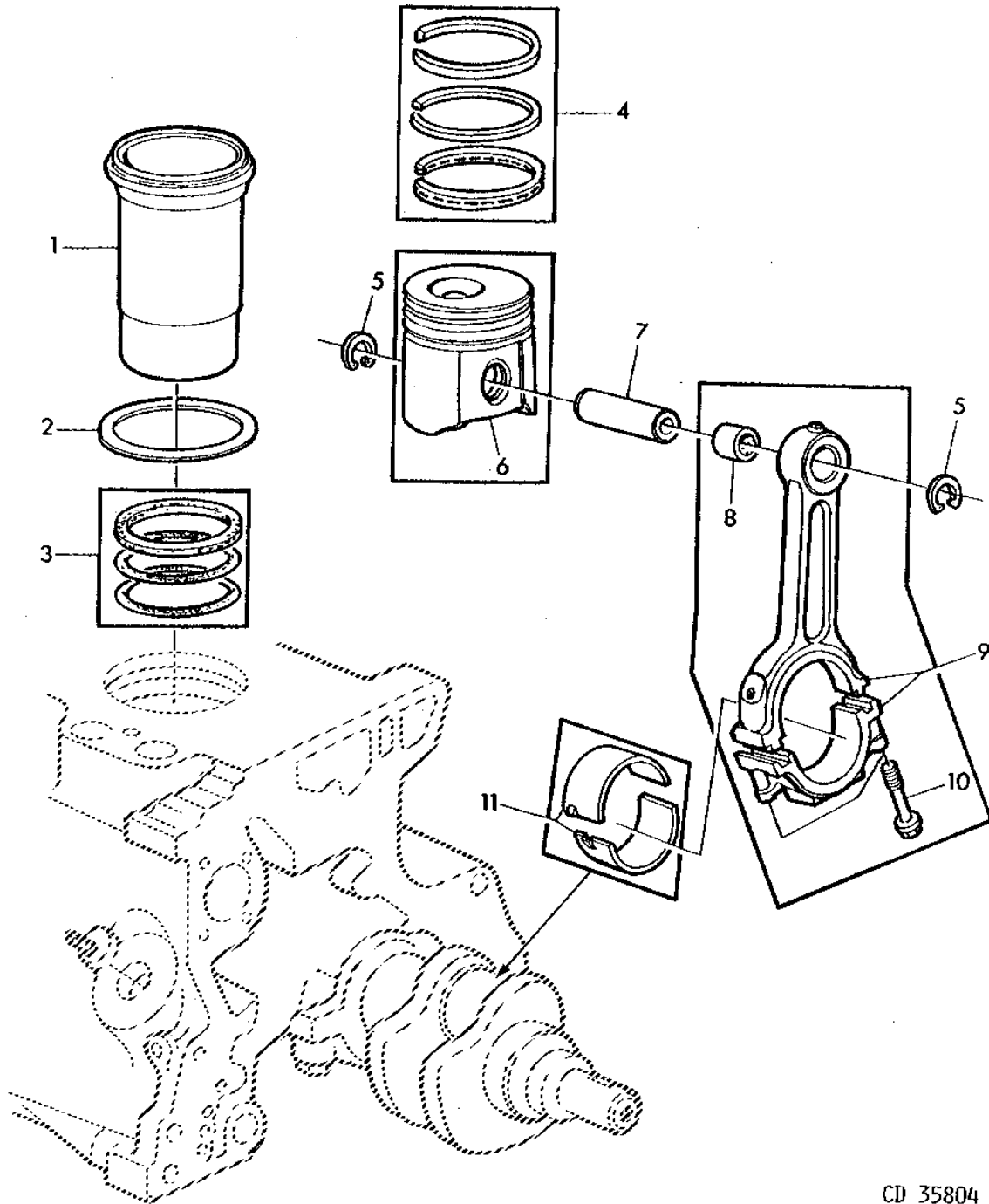
1C7

ENGINE

CD35804

-UN-01JAN94

PISTON/CONNECTING ROD/LINER



CD 35804

1C8

ENGINE

PISTON/CONNECTING ROD/LINER - CONTINUED

KEY	PART NO.	PART NAME	QTY	ENGINE SERIAL NO.	4	REMARKS
					4	
					4 3	
					4 5	
					3 H	
					5 Y	
1	R90059	CYLINDER LINER	6		X	
2	CD15466	SHIM	AR		X	0.050MM (0.002")
	R65833	SHIM	AR		X	0.10MM (0.004")
3	AR65507	O-RING KIT	6		X	PACKG(3)
4	RE15674	PISTON RING KIT	6		X	PACKG(3)
5	M41029	SNAP RING	12		X	PACKG(6)
6	PISTON	AR		X	TYPE "B", MARKED RE19282, NSEP, ORDER RE30250
7	R51731	PISTON PIN	6		X	O.D.=35MM (1.37")
8	R55647	BUSHING	1		X	
9	RE21076	CONNECTING ROD	6		X	(MARKED R80034) (SUB FOR RE16495) (MARKED R80034)
10	R80033	SCREW	2		X	
11	RE27348	KIT	6		X	I.D.=STANDARD, (KIT (2) R83379) (USE WITH AT22562 OR RE48330)
	RE27349	KIT	AR		X	I.D.=-0.254MM (0.010") (KIT (2) R87748) (USE WITH AT22562 OR RE48330)
	RE27358	KIT	AR	-927838	X	I.D.=-0.508MM (0.020") (KIT (2) R87754) (USE WITH AT22562 OR RE26205)
	RE27364	BEARING KIT	AR	-927838	X	I.D.=-0.762MM (0.030") (KIT (2) R87757) (USE WITH AT22562 OR RE26205)

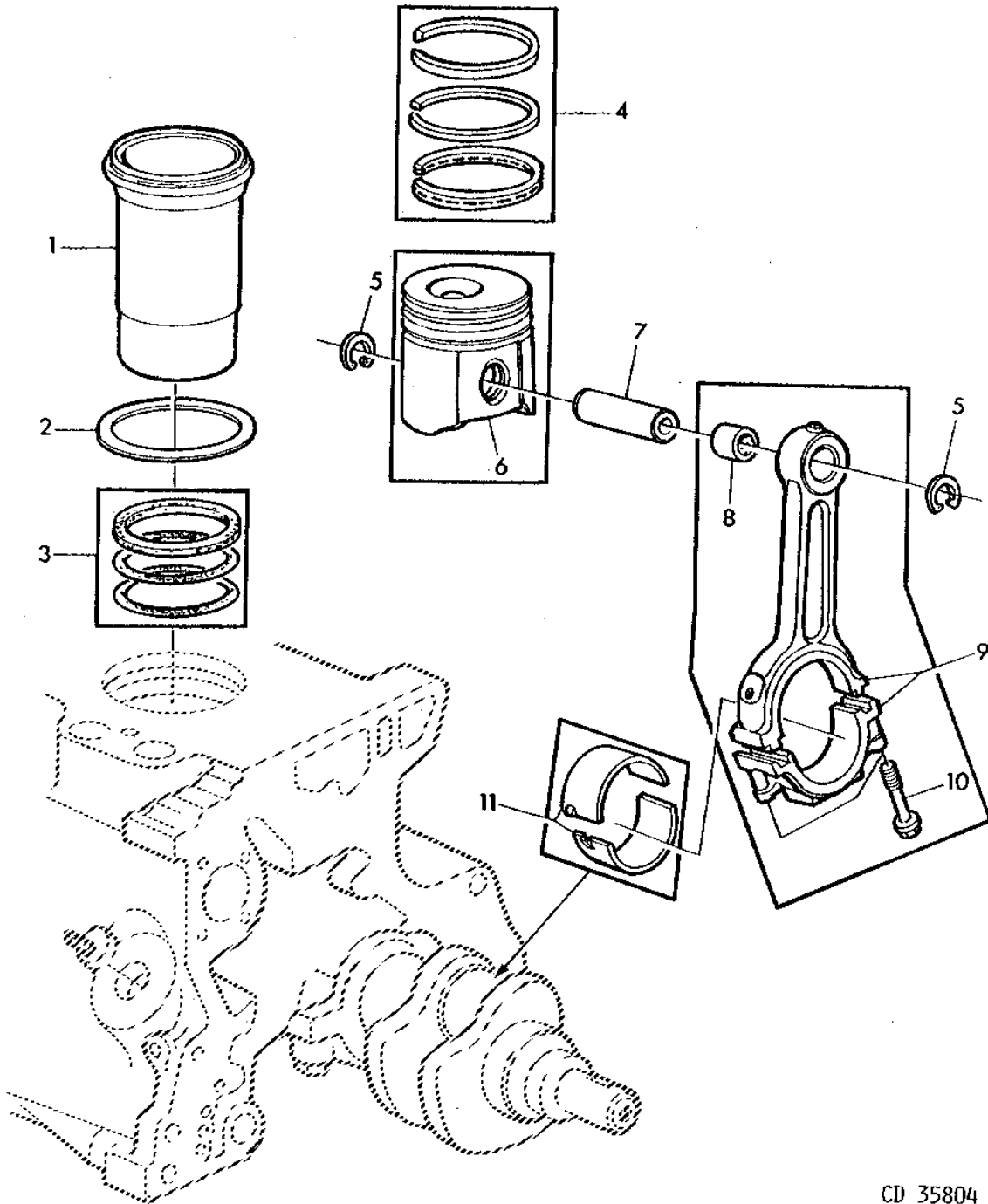
1C9

ENGINE

CD35804

-UN-01JAN94

PISTON/CONNECTING ROD/LINER



CD 35804

1C10

ENGINE

PISTON/CONNECTING ROD/LINER - CONTINUED

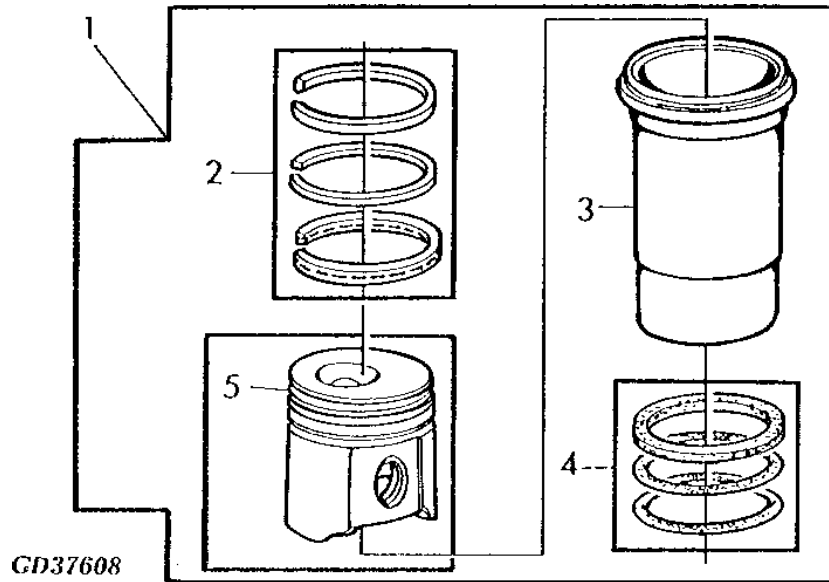
KEY	PART NO.	PART NAME	QTY	ENGINE SERIAL NO.	4	REMARKS
					4	
					4 3	
					4 5	
					3 H	
					5 Y	
1	R90059	CYLINDER LINER	6		X	
2	CD15466	SHIM	AR		X	0.050MM (0.002")
	R65833	SHIM	AR		X	0.10MM (0.004")
3	AR65507	O-RING KIT	6		X	PACKG(3)
4	RE15674	PISTON RING KIT	6		X	PACKG(3)
5	R54114	SNAP RING	12		X	PACKG(6)
6	PISTON	AR		X	TYPE "B", MARKED RE19278, NSEP, ORDER RE33115
7	R56188	PISTON PIN	6		X	O.D.=41MM (1.62")
8	R57451	BUSHING	1		X	
9	RE42733	CONNECTING ROD	6		X	(MARKED R80032) (SUB FOR RE16494) (MARKED R80032)
10	R80033	SCREW	2		X	
11	RE27348	KIT	6		X	I.D.=STANDARD, (KIT (2) R83379) (USE WITH AT22562 OR RE48330)
	RE27349	KIT	AR		X	I.D.=-0.254MM (0.010") (KIT (2) R87748) (USE WITH AT22562 OR RE48330)
	RE27358	KIT	AR	-927838	X	I.D.=-0.508MM (0.020") (KIT (2) R87754) (USE WITH AT22562 OR RE26205)
	RE27364	BEARING KIT	AR	-927838	X	I.D.=-0.762MM (0.030") (KIT (2) R87757) (USE WITH AT22562 OR RE26205)

1C11

ENGINE

CD37608 -UN-01JAN94

CYLINDER LINER AND PISTON KIT



KEY	PART NO.	PART NAME	QTY	ENGINE SERIAL NO.	REMARKS
1	RE33115	KIT	AR		X TYPE "B"
2	RE15674	PISTON RING KIT	1		X PACKG(3)
3	R90059	CYLINDER LINER	1		X
4	AR65507	O-RING KIT	1		X PACKG(3)
5	PISTON	AR		X TYPE "B", MARKED RE19278, NSEP, ORDER RE33115

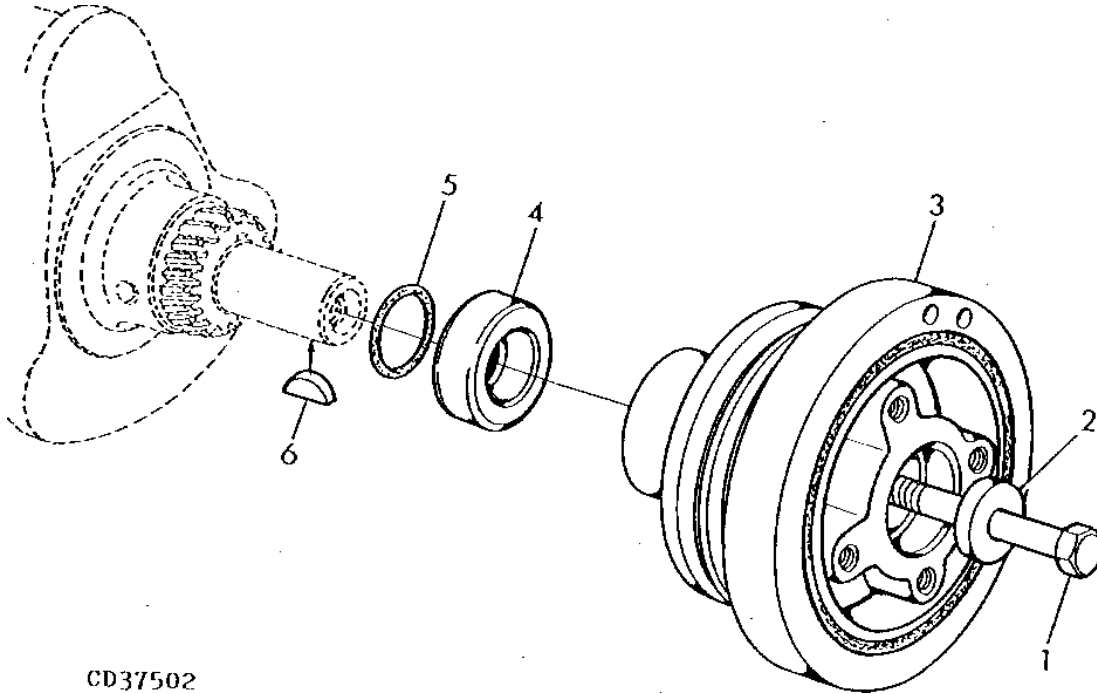
4
4
4 3
4 5
3 H
5 Y

1C12

ENGINE

CD37502 -UN-01JAN94

CRANKSHAFT PULLEY



CD37502

4
4
4 3
4 5
3 H
5 Y

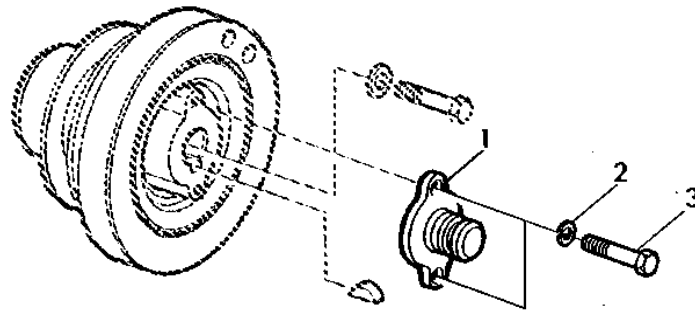
KEY	PART NO.	PART NAME	QTY	ENGINE SERIAL NO.	REMARKS
1	19H2473	CAP SCREW	1	X X	1/2" X 1-3/4"
2	R109086	SPACER	1	X X	TK=10MM (0.393") (SUB FOR CD16045) TK=12MM (0.472")
3	AR74368	PULLEY, WITH DAMPENER	1	X X	
4	R81989	SLEEVE	1	X X	
5	H35244	RING	1	X X	
6	26H27	SHAFT KEY	1	X X	5/16" X 1-1/8"

1C13

ENGINE

CD25914 -UN-01JAN94

AUXILIARY PULLEY



CD 25 914

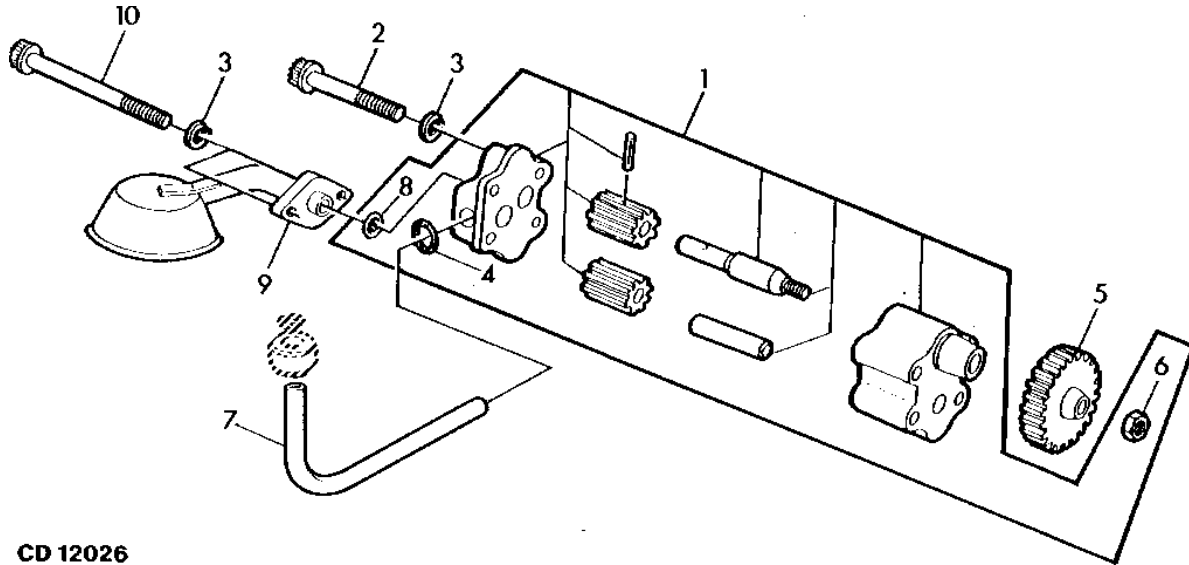
KEY	PART NO.	PART NAME	QTY	ENGINE SERIAL NO.	REMARKS
				4	
				4	
				4 3	
				4 5	
				3 H	
				5 Y	
1	R61351	PULLEY	1	X X	
2	12H304	LOCK WASHER	2	X X	3/8"
3	19H2552	CAP SCREW	2	X X	3/8" X 1-1/8"

1C14

ENGINE

CD12026 -UN-01JAN94

OIL PUMP



CD 12026

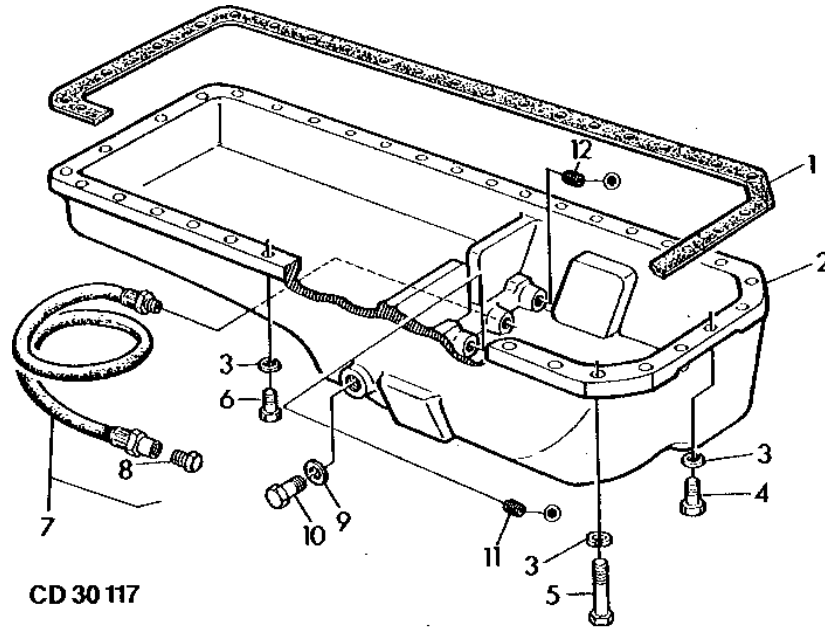
KEY	PART NO.	PART NAME	QTY	ENGINE SERIAL NO.	REMARKS
				4	
				4	
				4 3	
				4 5	
				3 H	
				5 Y	
1	RE35685	OIL PUMP	1	X X	
2	R57059	CAP SCREW	2	X X	
3	12H304	LOCK WASHER	4	X X	3/8"
4	R74354	O-RING	1	X X	
5	T20298	GEAR	1	X X	Z=33
6	14H826	NUT	1	X X	1/2"
7	T20050	OIL TUBE	1	X X	
8	R61871	O-RING	1	X X	
9	AR59621	OIL PUMP INTAKE	1	X X	
10	R74552	CAP SCREW	2	X X	

1C15

ENGINE

CD30117 -UN-01JAN94

OIL PAN



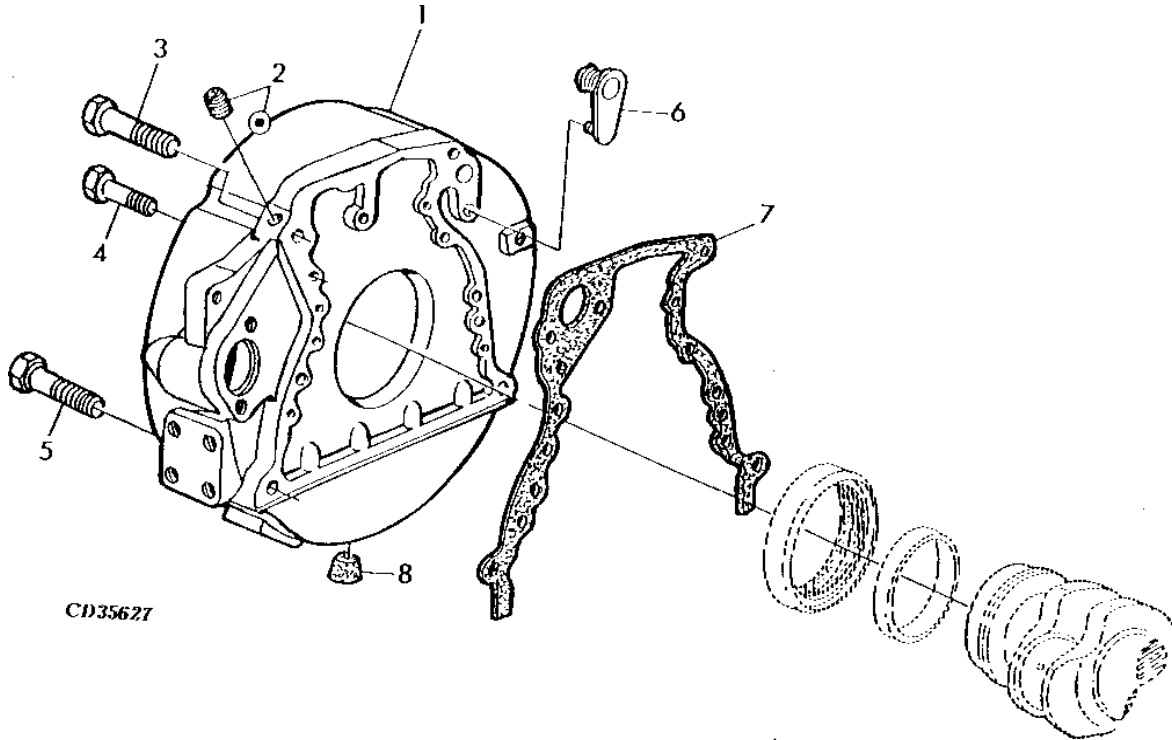
KEY	PART NO.	PART NAME	QTY	ENGINE SERIAL NO.	REMARKS
				4	
				4	
				4 3	
				4 5	
				3 H	
				5 Y	
1	R97344	GASKET	1	X X	(SUB FOR T20205)
2	OIL PAN	1	X X	(MARKED R87631) (ORDER R80541, T13213, T20098, 15H624 AND 15H665)
	R80541	OIL PAN	AR	X X	(REPLACEMENT)
3	24H1304	WASHER	36	X X	13/32" X 23/32" X 0.120"
4	19H988	CAP SCREW	2	X X	3/8" X 1-1/4"
5	19H1800	CAP SCREW	4	X X	3/8" X 1-1/2"
6	19H2552	CAP SCREW	30	X X	3/8" X 1-1/8"
7	AZ23073	HOSE	1	X X	LENGTH= 465MM(18.3") INCLUDES KEY 8
8	R71116	PIPE PLUG	1	X X	
9	T13213	WASHER	1	X X	
10	T20098	DRAIN PLUG	1	X X	
11	15H624	PIPE PLUG	1	X X	1/2"
12	15H665	PIPE PLUG	1	X X	3/4"

1C16

ENGINE

CD35627 -UN-12APR96

FLYWHEEL HOUSING



CD35627

4
4
4 3
4 5
3 H
5 Y

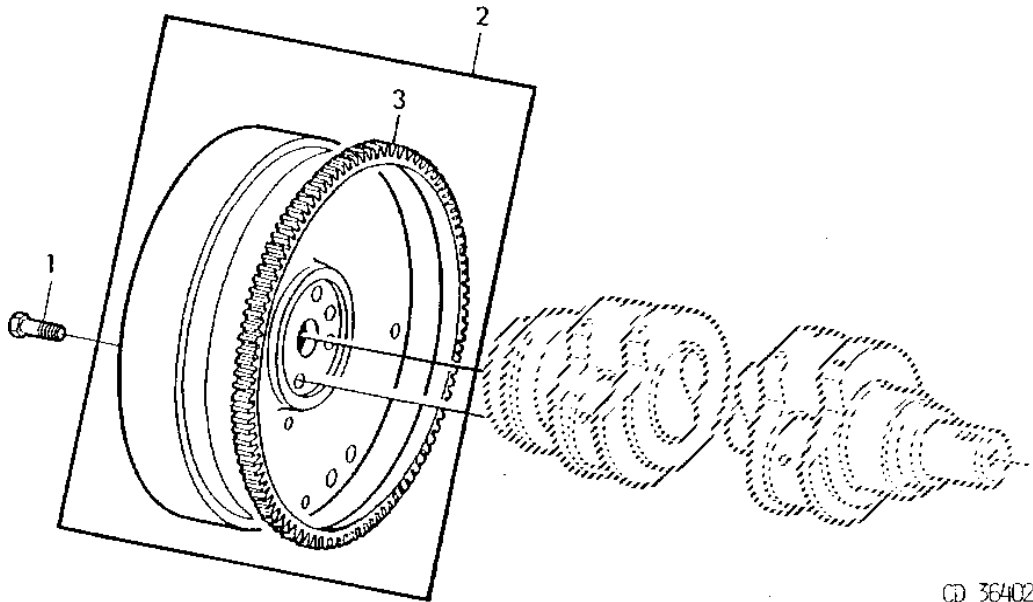
KEY	PART NO.	PART NAME	QTY	ENGINE SERIAL NO.	REMARKS
1	R64100	HOUSING	1	X X	
2	R21630	PIPE PLUG	1	X X	1/8"
3	19H1439	CAP SCREW	2	X X	5/8" X 3"
4	19H2545	CAP SCREW	8	X X	3/8" X 1-3/8"
5	19H1923	CAP SCREW	2	X X	5/8" X 5-1/2"
6	R83555	PLUG	1	X X	
7	R97351	GASKET	1	X X	

1C17

ENGINE

CD36402 -UN-01JAN94

FLYWHEEL



CD 36402

KEY	PART NO.	PART NAME	QTY	ENGINE SERIAL NO.	REMARKS
				4	
				4	
				4 3	
				4 5	
				3 H	
				5 Y	
1	19H2993	CAP SCREW	4	X X	1/2" X 1-1/2"
2	RE31667	FLYWHEEL	1	X X	(MARKED T20319)
3	T20088	GEAR	1	X X	(142 TEETH)

MEMORANDA

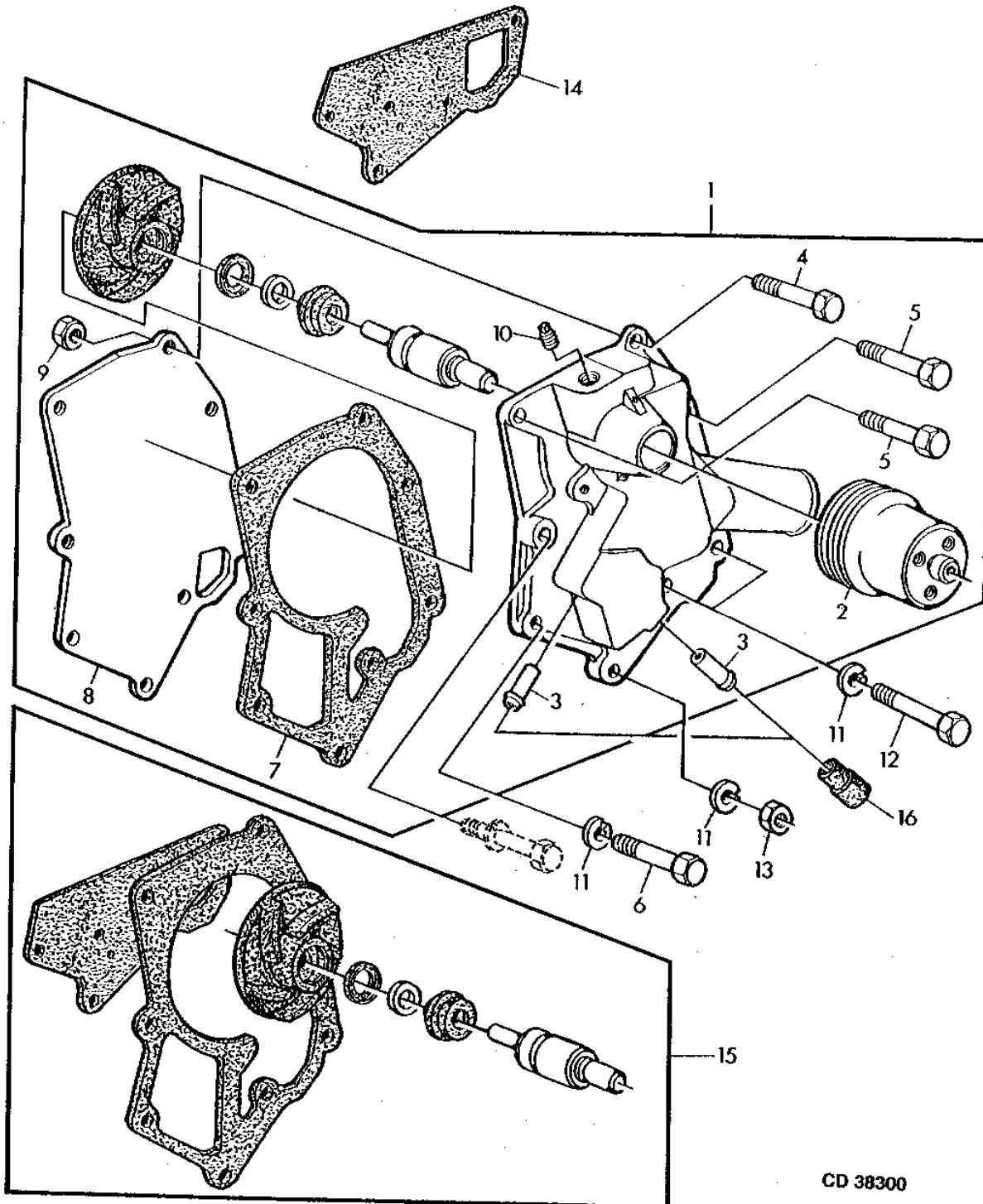
1C18

ENGINE

CD38300

-UN-01JAN94

WATER PUMP



CD 38300

1C19

ENGINE

WATER PUMP - CONTINUED

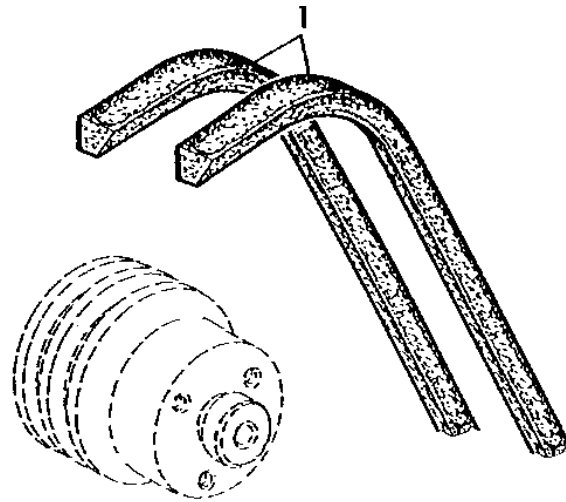
KEY	PART NO.	PART NAME	QTY	ENGINE SERIAL NO.			REMARKS
					4	5	
					4		
					4		
					4	3	
					4	5	
					3	H	
					5	Y	
1	AR97712	WATER PUMP	1		X	X	(MARKED R73606)
2	R51963	PULLEY	1		X	X	
3	R48993	TUBE	2		X	X	O.D.=16MM (0.62")
4	19H1726	CAP SCREW	1		X	X	3/8" X 2-1/4"
5	19H2545	CAP SCREW	2		X	X	3/8" X 1-3/8"
6	19H1801	CAP SCREW	1		X	X	3/8" X 2"
7	T25485	GASKET	1		X	X	
8	R102902	COVER	1		X	X	TK=6MM (0.236") SUB FOR T25484 TK=7MM (0.275")
9	14H812	NUT	1		X	X	3/8"
10	15H584	PIPE PLUG	1		X	X	1/2"
11	12H304	LOCK WASHER	4		X	X	3/8"
12	19H1912	CAP SCREW	2		X	X	3/8" X 3-1/2"
13	14H774	NUT	1		X	X	3/8"-24UNF
14	T20243	GASKET	1		X	X	
15	RE13976	KIT	AR		X	X	
16	R99260	HOSE	AR		X	X	O.D.=19MM X 16MM (0.74" X 0.62")

1C20

ENGINE

CD37220 -UN-01JAN94

BELT



CD37220

4
4
4 3
4 5
3 H
5 Y

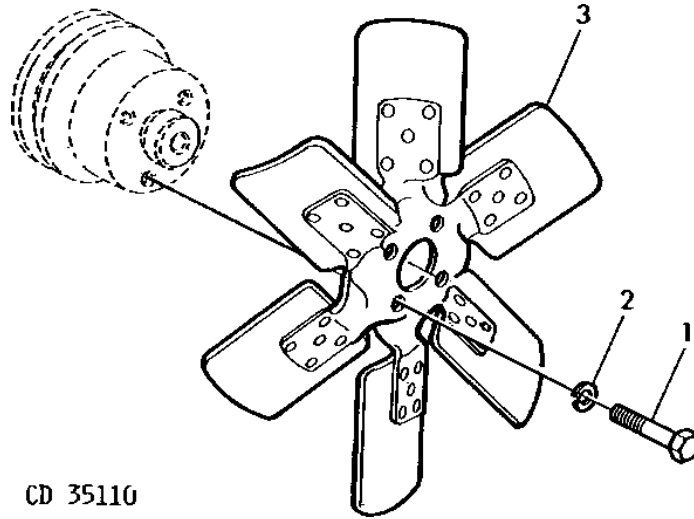
KEY	PART NO.	PART NAME	QTY	ENGINE SERIAL NO.	REMARKS
1	AR72036	BELT SET	1	X X	LGTH=1498MM (58.97")

1C21

ENGINE

CD35110 -UN-01JAN94

FAN



CD 35110

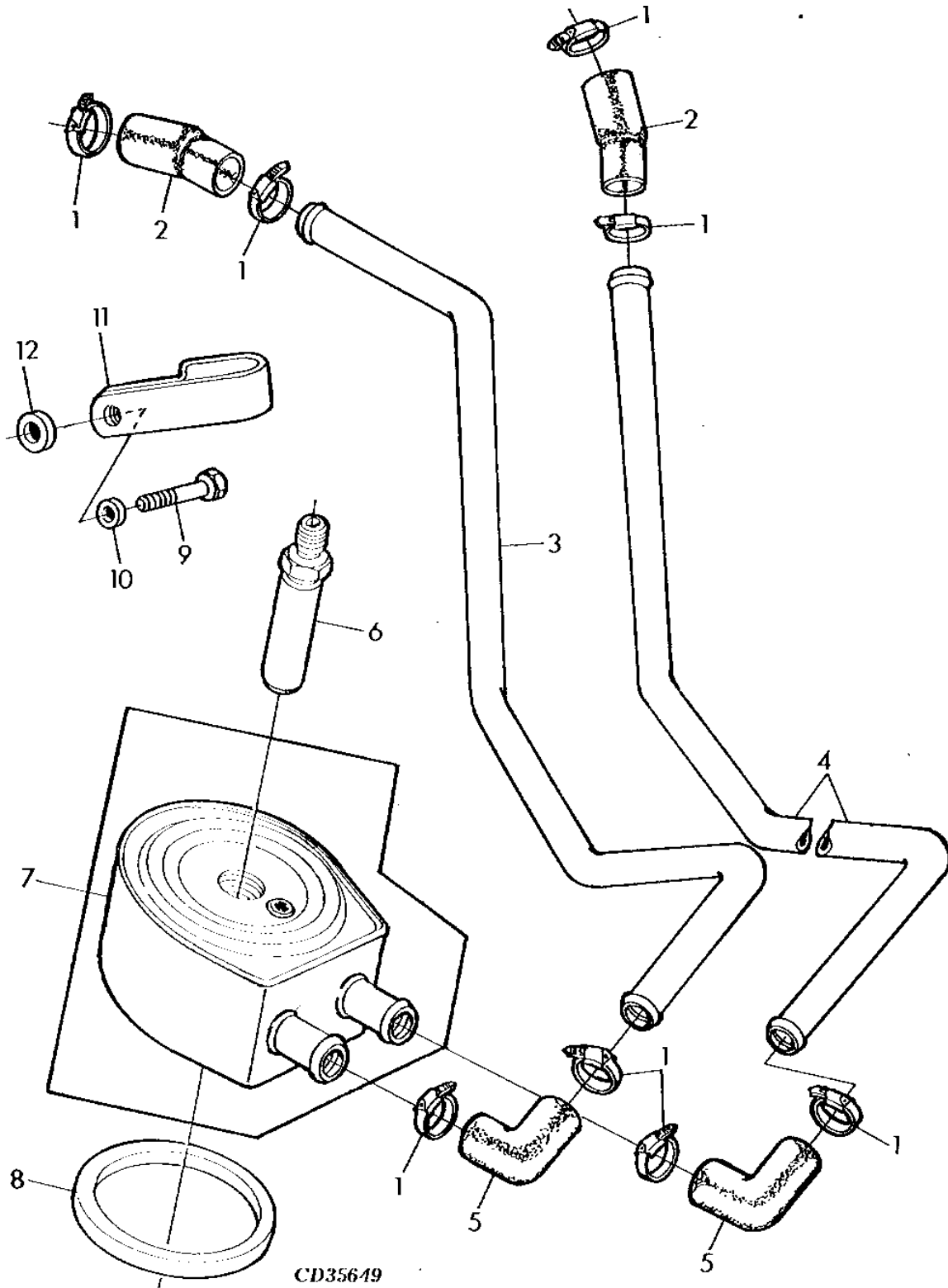
KEY	PART NO.	PART NAME	QTY	ENGINE SERIAL NO.	REMARKS
1	19H2127	CAP SCREW	4	4	
2	12H303	LOCK WASHER	4	4 3	
3	AT58891	FAN	1	4 5	
				3 H	
				5 Y	

1C22

ENGINE

CD35649 -UN-01JAN94

ENGINE OIL COOLER
8 PLATES/INCREASED COOLING CAPACITY



1C23

ENGINE

**ENGINE OIL COOLER - CONTINUED
8 PLATES/INCREASED COOLING CAPACITY**

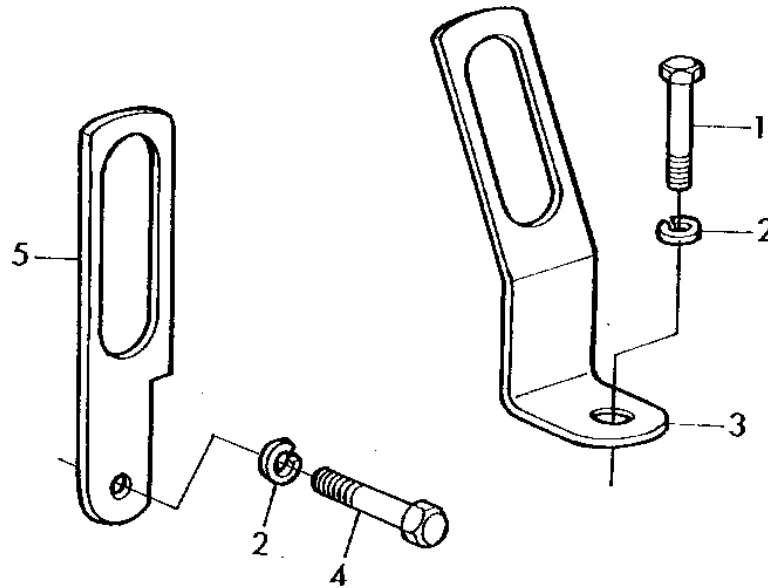
KEY	PART NO.	PART NAME	QTY	ENGINE SERIAL NO.	4		REMARKS
					3	5	
					4		
					4		
					3		
					4		
					5		
					3	H	
					5	Y	
1	AR21837	CLAMP	8		X	X	
2	R99253	HOSE	2		X	X	I.D.16MMX16MM (0.62"X0.62")
3	R99255	LINE	1		X	X	I.D.16MM (0.62")
4	R99259	LINE	1		X	X	I.D.16MM (0.62")
5	R99254	HOSE	2		X	X	
6	T31306	THREADED NIPPLE	1		X	X	
7	RE38078	OIL COOLER	1		X	X	BEHR
8	R70956	WASHER	1		X	X	
9	19H1726	CAP SCREW	1		X	X	3/8" X 2-1/4"
10	24H1304	WASHER	1		X	X	13/32" X 23/32" X 0.120"
11	R53524	CLAMP	1		X	X	
12	R99257	WASHER	1		X	X	

1C24

ENGINE

CD35674 -UN-01JAN94

SHACKLES



CD35674

KEY	PART NO.	PART NAME	QTY	ENGINE SERIAL NO.	REMARKS
				4	
				4	
				4 3	
				4 5	
				3 H	
				5 Y	
1	19H1732	CAP SCREW	1	X X	3/8" X 1-1/4", (FRONT)
2	12H301	LOCK WASHER	2	X X	1/2"
3	R100074	SHACKLE	1	X X	(FRONT)
4	19H1895	CAP SCREW	1	X X	1/2" X 3/4", (REAR)
5	R100075	SHACKLE	1	X X	(REAR)

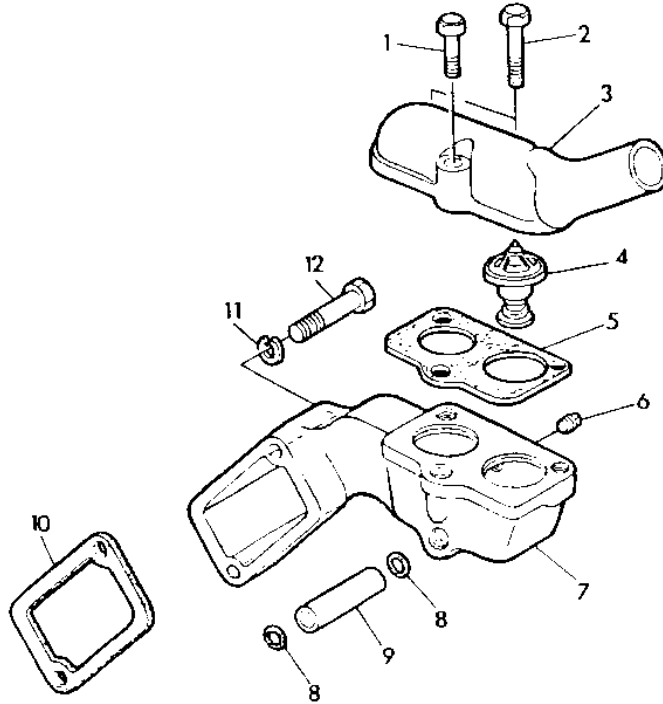
1C25

ENGINE

R33956

-UN-01JAN94

WATER MANIFOLD AND THERMOSTAT



R33956

4
4
4 3
4 5
3 H
5 Y

KEY	PART NO.	PART NAME	QTY	SERIAL NO.	REMARKS
1	19H1801	CAP SCREW	1	X X	3/8" X 2"
2	19H1732	CAP SCREW	2	X X	3/8" X 1-1/4"
3	R55968	CASE	1	X X	
4	AR48675	THERMOSTAT	2	X X	82°C (180°F)
5	R54638	GASKET	1	X X	
6	15H584	PIPE PLUG	1	X X	1/2"
7	R54637	HOUSING	1	X X	
8	R56461	O-RING	2	X X	
9	R61355	TUBE	1	X X	
10	R54641	GASKET	1	X X	
11	12H304	LOCK WASHER	2	X X	3/8"
12	19H1912	CAP SCREW	2	X X	3/8" X 3-1/2"

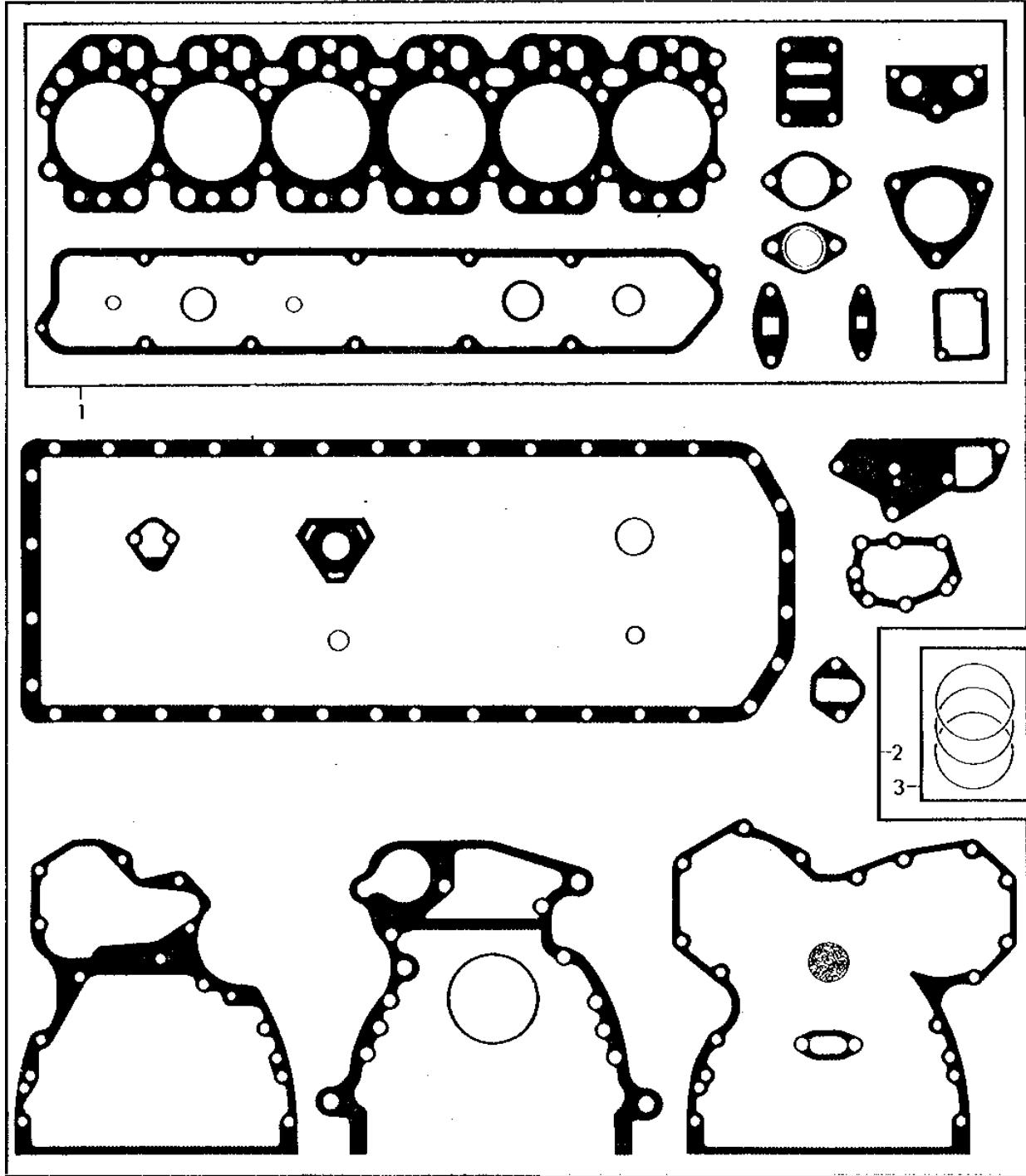
1D1

ENGINE

CD20516

-UN-01JAN94

ENGINE GASKET SET



CD 20516

1D2

ENGINE

ENGINE GASKET SET - CONTINUED

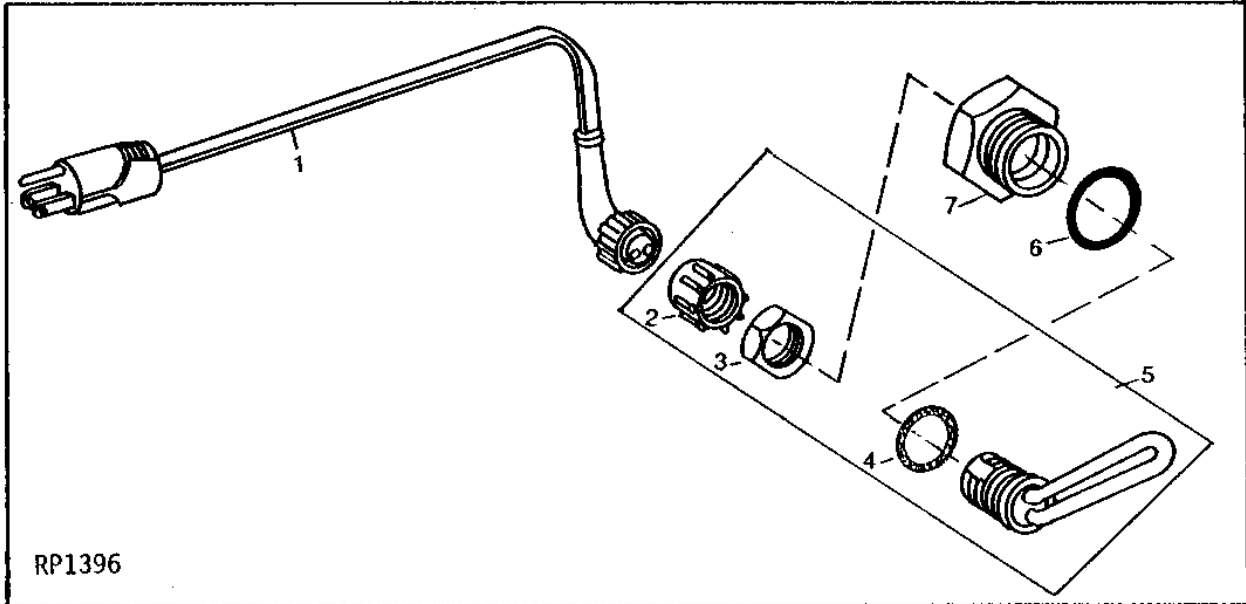
KEY	PART NO.	PART NAME	QTY	ENGINE SERIAL NO.	4	REMARKS
					4	
					4 3	
					4 5	
					3 H	
					5 Y	
1	RE38852	GASKET KIT	AR		X X	
2	RE38860	GASKET KIT	AR		X	
	RE38858	GASKET KIT	AR		X	
3	AR65507	O-RING KIT	6		X X	

1D3

ENGINE

RP1396 -UN-01JAN94

ENGINE COOLANT HEATER



RP1396

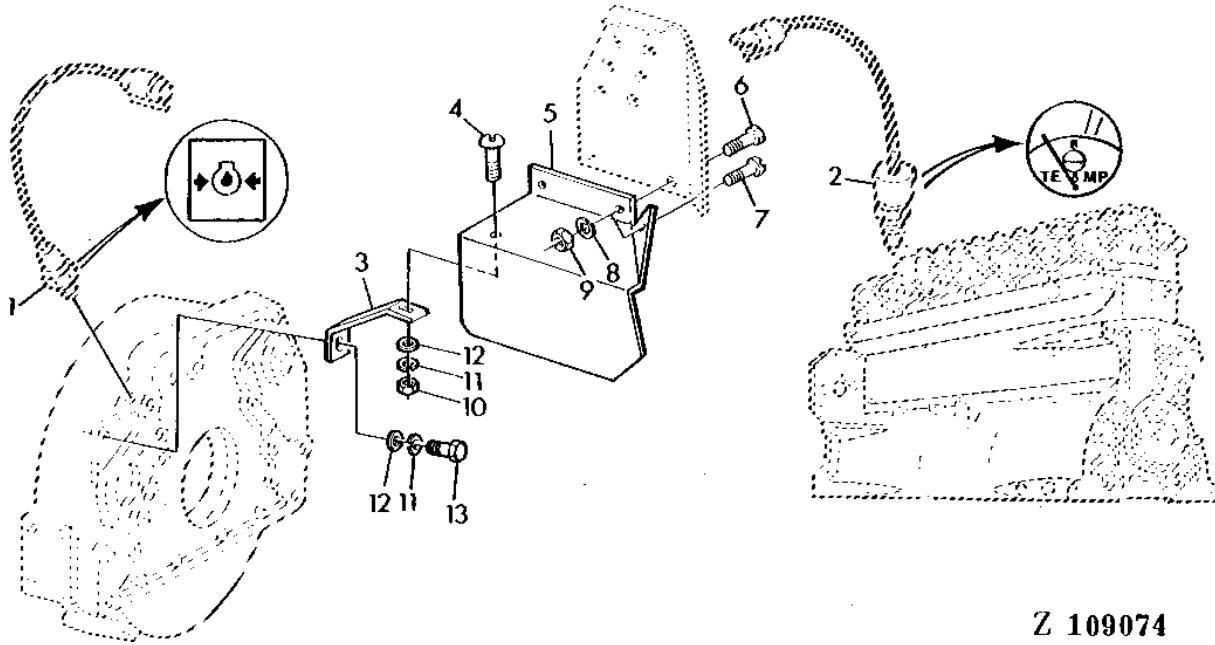
KEY	PART NO.	PART NAME	QTY	TRACTOR SERIAL NO.	REMARKS
				4	
				4	
				4 3	
				4 5	
				3 H	
				5 Y	
1	AR50411	WIRING LEAD	1	X X	
2	R54510	CAP	1	X X	
3	R54511	NUT	1	X X	
4	R47693	GASKET	1	X X	
5	AR62399	COOLANT HEATER	1	X X	
6	U13639	O-RING	1	X X	
7	R54123	ADAPTER	1	X X	
8	AR62492	COOLANT HEATER	1	X X	

1D4

ENGINE

Z109074 -UN-01JAN94

ENGINE - MOUNTING PARTS



Z 109074

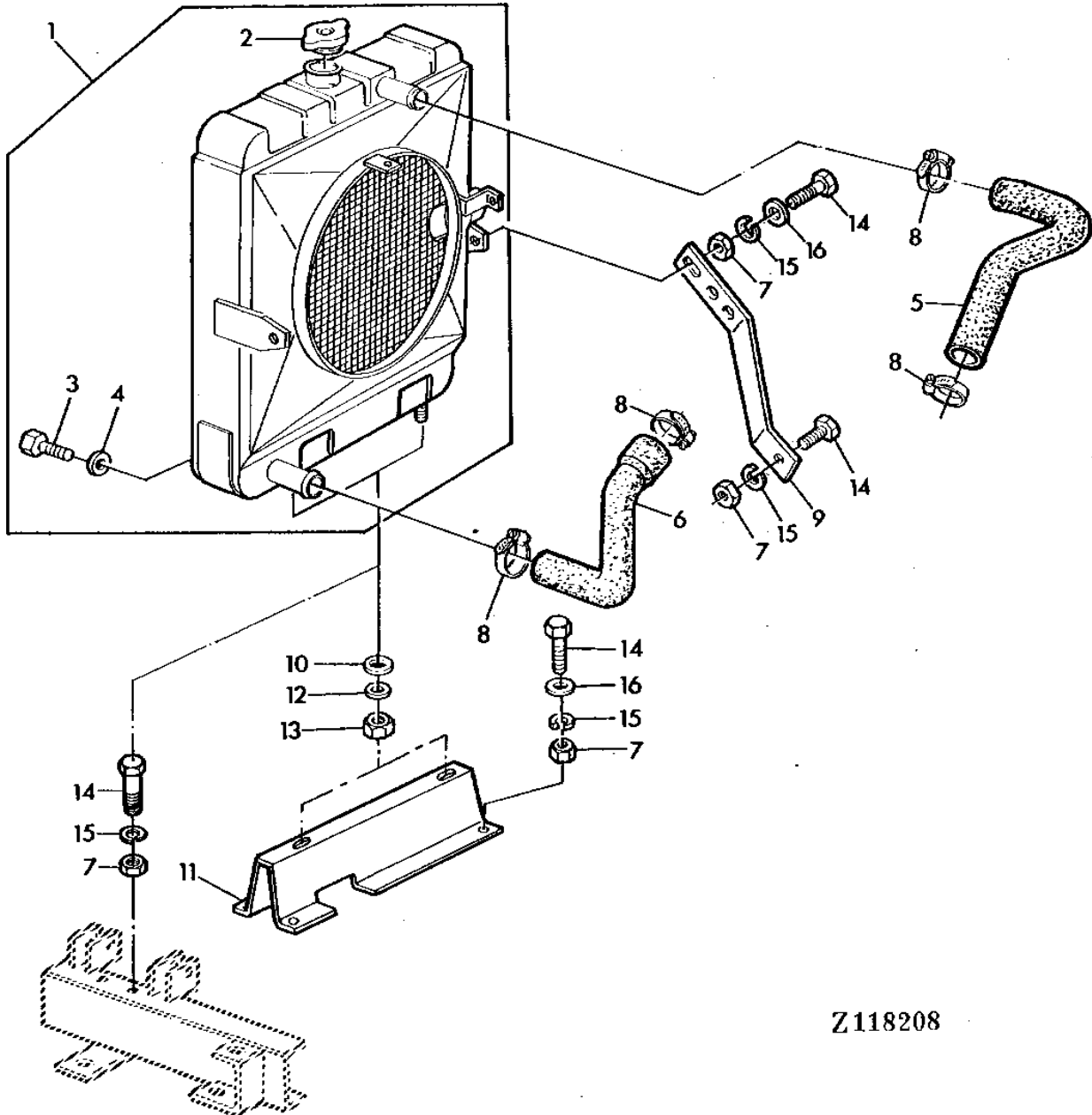
KEY	PART NO.	PART NAME	QTY	SERIAL NO.	REMARKS
				4	
				4	
				4 3	
				4 5	
				3 H	
				5 Y	
1	SENDER	1	X X	SEE SECTION 040
2	SENDER	1	X X	SEE SECTION 040
3	Z39929	HOLDER	1	X X	
4	21M7162	SCREW	AR	X X	M10 X 20
5	Z39931	GUARD	1	X X	
6	19M6614	CAP SCREW	AR	X X	M6 X 12
7	21M7087	SCREW	AR	X X	M6 X 12
8	12M7012	LOCK WASHER	AR	X X	6.100 MM
9	14M7027	NUT	AR	X X	M6
10	14M7140	NUT	AR	X X	M10
11	12M7013	LOCK WASHER	AR	X X	10.200 MM
12	24M7040	WASHER	AR	X X	11 X 20 X 2 MM
13	19H1936	CAP SCREW	1	X X	3/8" X 3/4"

1D5

ENGINE

Z118208 -UN-01JAN94

RADIATOR



Z118208

1D6

ENGINE

RADIATOR - CONTINUED

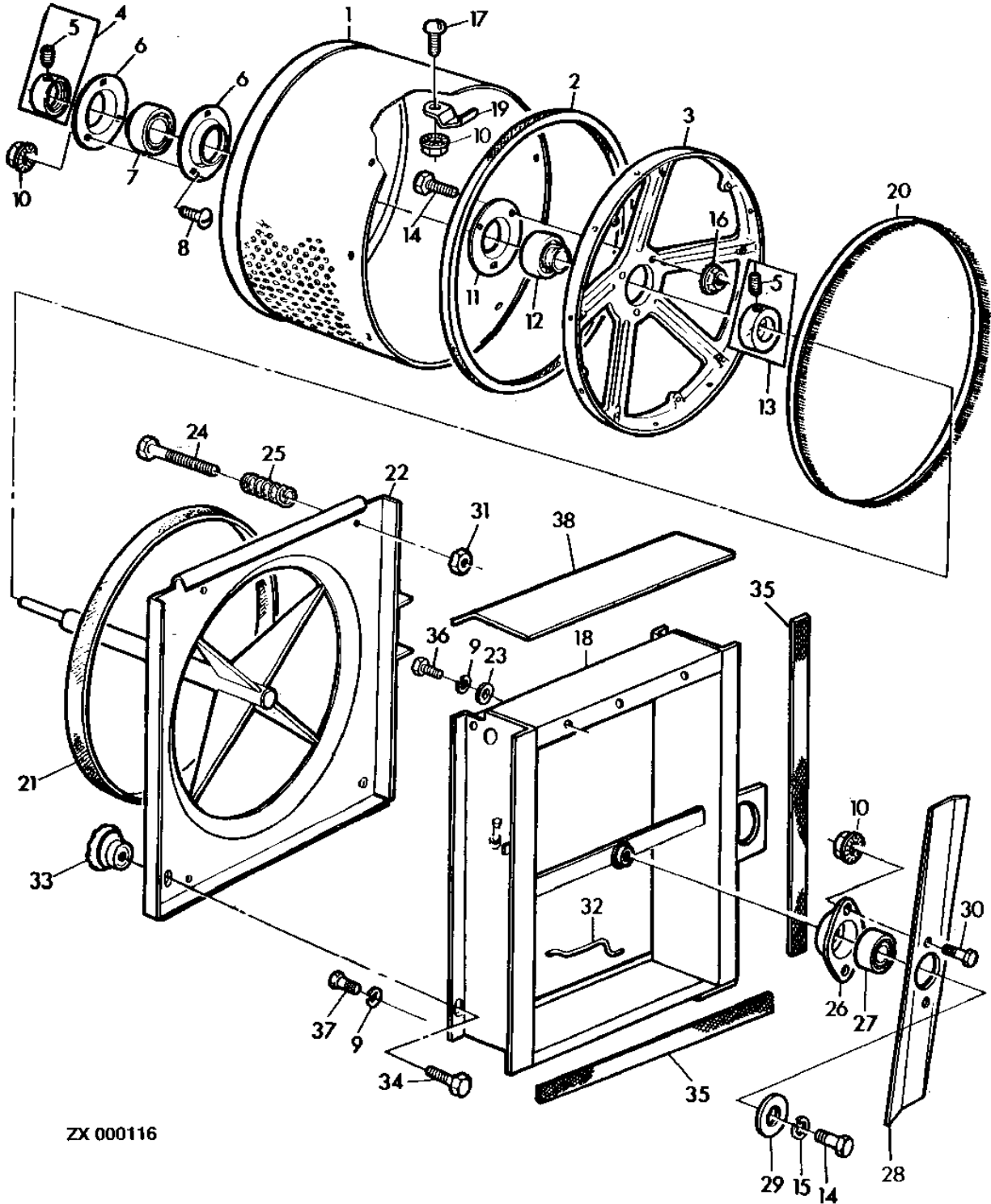
KEY	PART NO.	PART NAME	QTY	SERIAL NO.	4 4 4 3 4 5 3 H 5 Y	REMARKS
1	AZ37363	RADIATOR	1		X	
	AZ42299	RADIATOR	1		X	
2	Z29121	FILLER CAP	1		X X	
3	15M7020	DRAIN PLUG	AR		X X	M14 X 1,5
4	51M4269	RING	AR		X X	14 X 18MM
5	Z46773	HOSE	1		X	UP
	Z53276	HOSE	1		X	
6	Z46774	HOSE	1		X	LOW
	Z53277	HOSE	1		X	
7	14M7029	NUT	AR		X X	M8
8	Z22032	CLAMP	4		X X	
9	Z46762	BRACE	2		X X	
10	Z31385	STRAP	AR		X	
11	Z46763	SUPPORT	1		X	
12	24M7038	WASHER	2		X	13.500 X 24 X 2.500 MM
13	14M7169	LOCK NUT	2		X	M14
14	19M7163	CAP SCREW	8		X X	M8 X 25
15	12M7008	LOCK WASHER	AR		X X	8.100 MM
16	24M7036	WASHER	AR		X X	9 X 16 X 1.600 MM

1D7

ENGINE

ZX000116 -UN-11JUL96

ROTARY RADIATOR SCREEN



ZX 000116

1D8

ENGINE

ROTARY RADIATOR SCREEN - CONTINUED

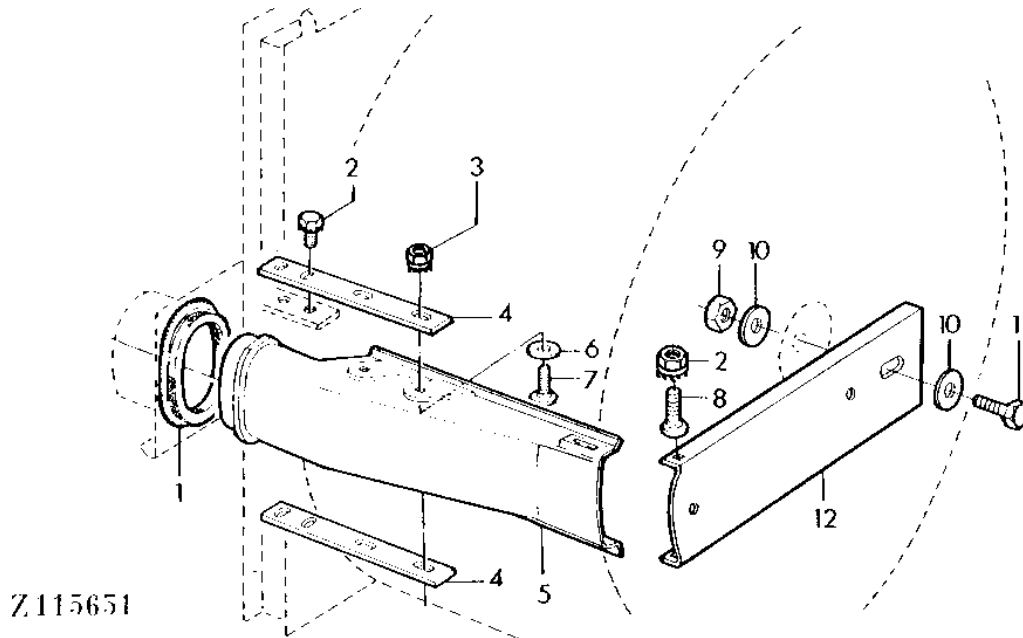
KEY	PART NO.	PART NAME	QTY	SERIAL NO.	4 4 4 3 4 5 3 H 5 Y	REMARKS
1	AZ19965	SCREEN	1		X X	
2	Z32165	GASKET	1		X X	
3	Z10872	SPIDER	1		X X	
4	AZ20029	ECCENTRIC LOCKING COLLAR	1		X X	
5	22M7079	SET SCREW	AR		X X	M6 X 6
6	Z31371	QUILL	2		X X	
7	AZ19963	BALL BEARING	1		X X	
8	03M7092	BOLT	AR		X X	M6 X 16
9	12M7012	LOCK WASHER	AR		X X	6.100 MM
10	Z41039	LOCK NUT	AR		X X	
11	Z33117	QUILL	1		X X	
12	JD39108	BALL BEARING	1		X X	
13	AZ13117	ECCENTRIC LOCKING COLLAR	1		X X	
14	19M7139	CAP SCREW	AR		X X	M8 X 20
15	12M7008	LOCK WASHER	AR		X	8.100 MM
16	14M7416	FLANGE NUT	AR		X X	M8
17	21M7031	SCREW	AR		X X	M6 X 15
18	AZ37360	FRAME	1		X	
19	Z35159	CLAMP	12		X X	SEE SECTION 050
20	AZ21454	BRUSH	1		X X	
21	Z39668	GASKET	1		X X	
22	AZ37362	FRAME	1		X	
	AZ42308	SHEET	1		X	
23	Z26250	WASHER	4		X X	
24	19M7164	CAP SCREW	AR		X X	M8 X 50
25	Z33018	COMPRESSION SPRING	2		X X	
26	Z33854	PRESSED FLANGED HOUSING	1		X	
27	JD29980	BALL BEARING	1		X	
28	Z37194	FAN BLADE	1		X	
29	24M7024	WASHER	AR		X	9 X 28 X 3 MM
30	19M7286	CAP SCREW	AR		X	M6 X 25
31	14M7166	LOCK NUT	AR		X X	M8
32	Z33073	SUPPORT	1		X	
33	AZ22047	GRIP	2		X X	
34	19M7163	CAP SCREW	AR		X X	M8 X 25
35	Z37171	WEATHERSTRIP	8		X	
36	19M6614	CAP SCREW	AR		X X	M6 X 12
37	19M7159	CAP SCREW	1		X X	M6 X 15
38	Z46754	ANGLE	1		X X	

1D9

ENGINE

Z115651 -UN-01JAN94

SUCTION NOZZLE FOR ROTARY RADIATOR SCREEN



Z115651

4
4
4 3
4 5
3 H
5 Y

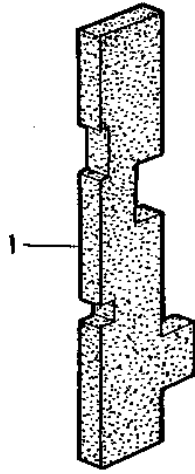
KEY	PART NO.	PART NAME	QTY	SERIAL NO.	REMARKS
1	Z33071	GASKET	1		X X
2	Z38459	CAP SCREW	AR		X X
3	Z41039	NUT	AR		X X
4	Z33070	RETAINER	2		X X
5	Z32924	NOZZLE	1		X X
6	24M7025	WASHER	AR		X X 6.600 X 22 X 2 MM
7	03M7068	BOLT	AR		X X M6 X 20
8	03M7092	BOLT	AR		X X M6 X 16
9	14M7029	NUT	1		X X M8
10	24M7036	WASHER	AR		X X 9 X 16 X 1.600 MM
11	19M7301	CAP SCREW	AR		X X M8 X 40
12	Z33076	SHEET	1		X X

1D10

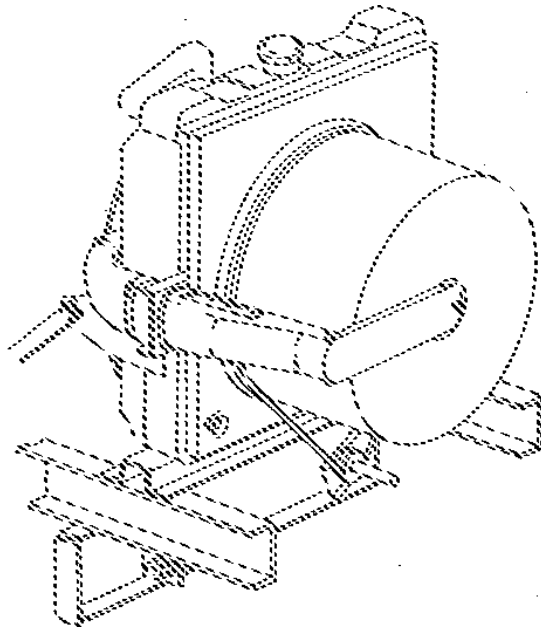
ENGINE

Z118209 -UN-01JAN94

ENGINE COMPARTMENT SEALING PADS



Z118209



4
4
4 3
4 5
3 H
5 Y

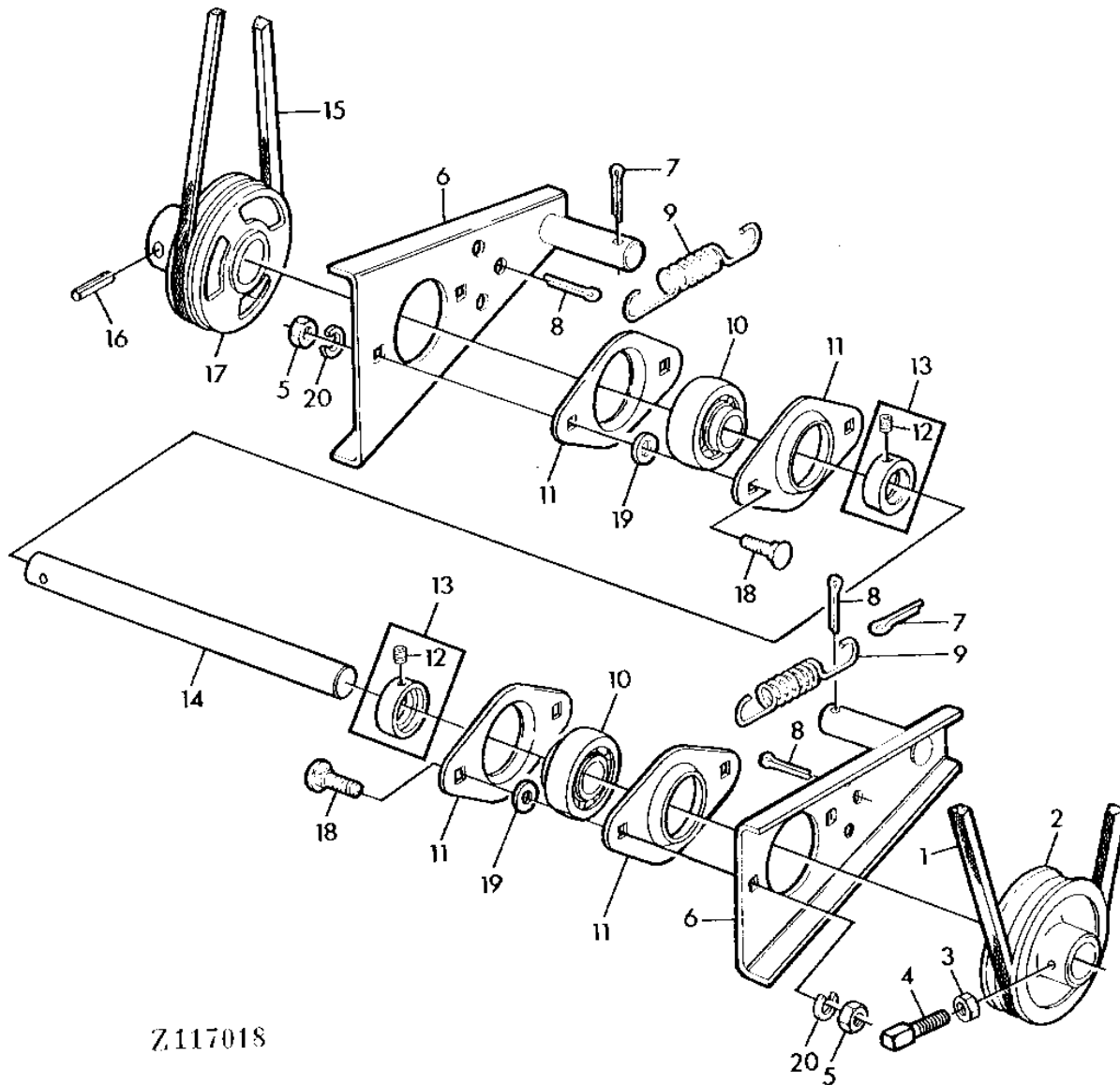
KEY	PART NO.	PART NAME	QTY	SERIAL NO.	REMARKS
1	Z46760	BARRIER	1	X X	

1D11

ENGINE

Z117018 -UN-01JAN94

COUNTERSHAFT FOR ROTARY RADIATOR SCREEN



Z117018

1D12

ENGINE

COUNTERSHAFT FOR ROTARY RADIATOR SCREEN - CONTINUED

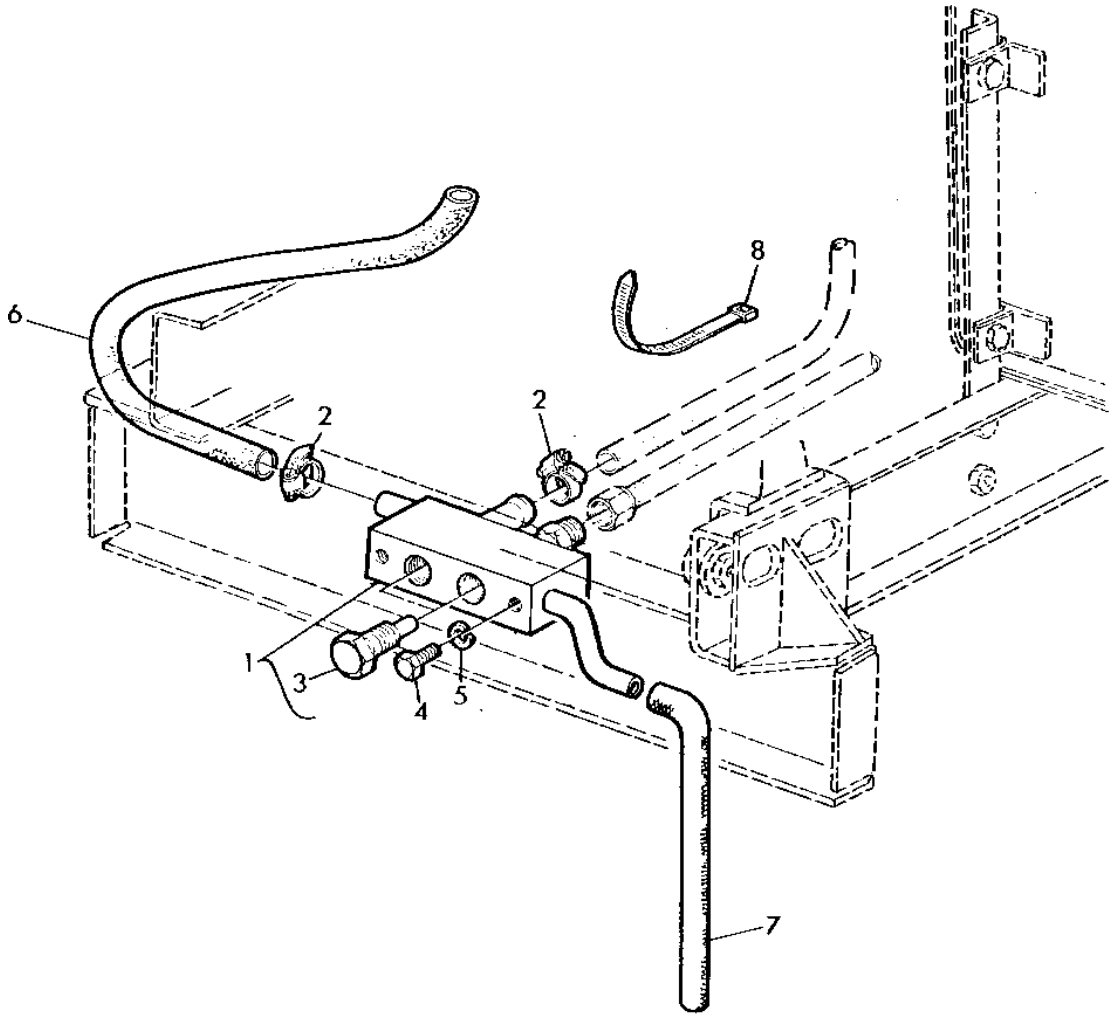
KEY	PART NO.	PART NAME	QTY	SERIAL NO.	4 4 4 3 4 5 3 H 5 Y	REMARKS
1	Z46764	BELT	1		X	
	Z34786	BELT	1		X	
2	Z10864	PULLEY	1		X X	
3	14M7203	NUT	1		X X	M8
4	22M7000	SET SCREW	1		X X	M8 X 16
5	14M7027	NUT	AR		X X	M6
6	AZ23070	SUPPORT	2		X X	
7	11M7013	COTTER PIN	2		X X	3.200 X 18 MM
8	11M7035	COTTER PIN	2		X X	6.300 X 22 MM
9	Z21232	EXTENSION SPRING	2		X X	
10	AZ19970	BALL BEARING	2		X X	
11	Z31372	PRESSED FLANGED HOUSING	4		X X	
12	22M7079	SET SCREW	2		X X	M6 X 6
13	AZ20030	ECCENTRIC LOCKING COLLAR	2		X X	
14	Z34685	SHAFT	1		X	
	Z38144	SHAFT	1		X	
15	Z32190	BELT	1		X X	
16	34M7033	SPRING PIN	1		X X	5 X 30MM
17	Z10818	PULLEY	1		X X	
18	03M7092	BOLT	AR		X X	M6 X 16
19	24M7054	WASHER	AR		X X	6.400 X 12 X 1.600 MM
20	12M7012	LOCK WASHER	AR		X X	6.100 MM

1D13

ENGINE

Z111419 -UN-01JAN94

ENGINE BREATHER AND DRAINING ENGINE OIL



Z111419

1D14

ENGINE

ENGINE BREATHER AND DRAINING ENGINE OIL - CONTINUED

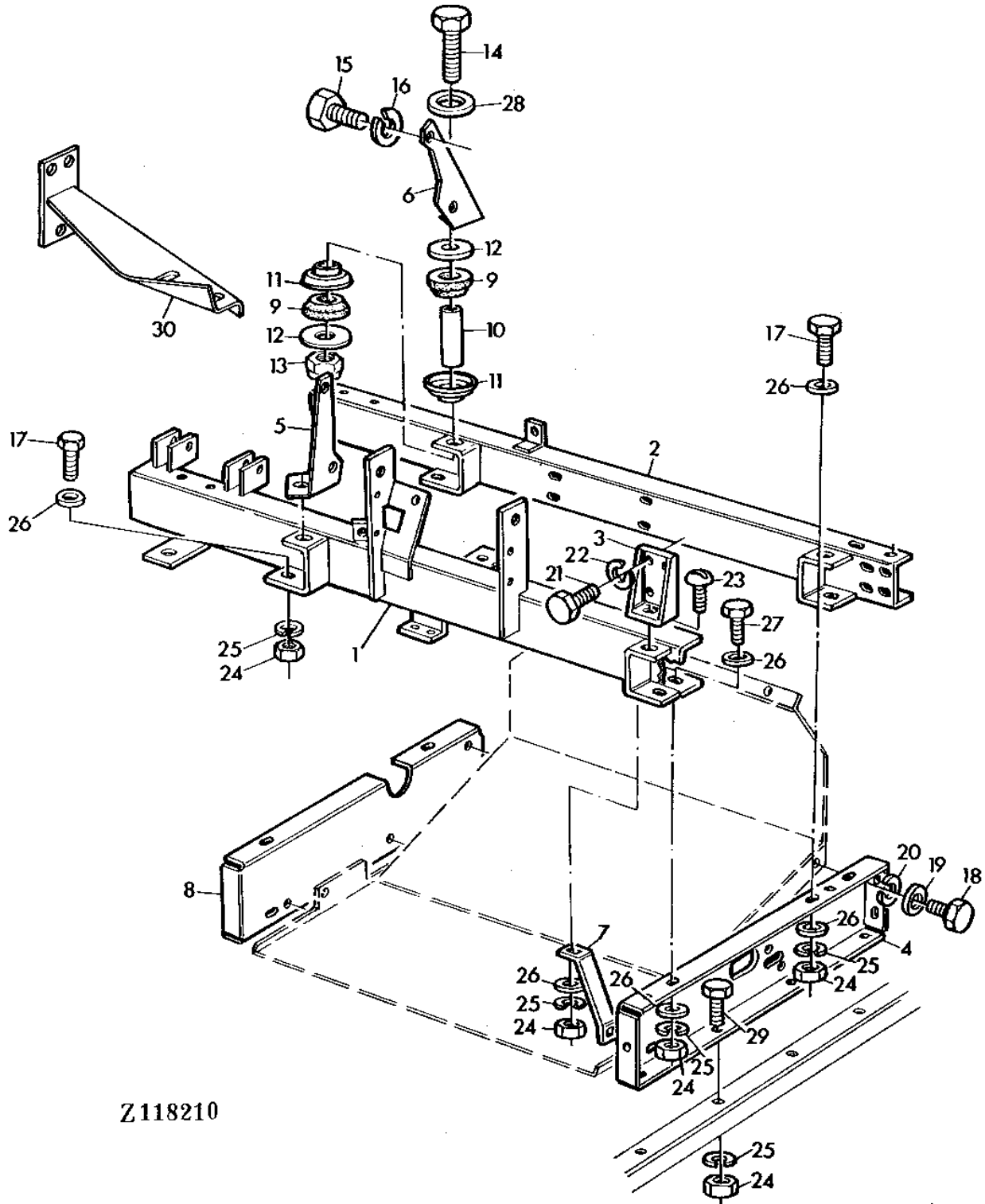
KEY	PART NO.	PART NAME	QTY	SERIAL NO.	4 4 4 3 4 5 3 H 5 Y	REMARKS
1	AZ37888	CASE	1		X X	INCL.KEY (2) 3
2	Z26822	CLAMP	3		X X	
3	Z34211	PLUG	2		X X	
4	19M7376	CAP SCREW	AR		X X	M8 X 22
5	12M7008	LOCK WASHER	AR		X X	8.100 MM
6	Z34209	HOSE	1		X X	
7	Z35141	HOSE	1		X X	
8	R44302	TIE BAND	AR		X X	

1D15

ENGINE

Z118210 -UN-01JAN94

ENGINE SUPPORT



Z118210

1D16

ENGINE

ENGINE SUPPORT - CONTINUED

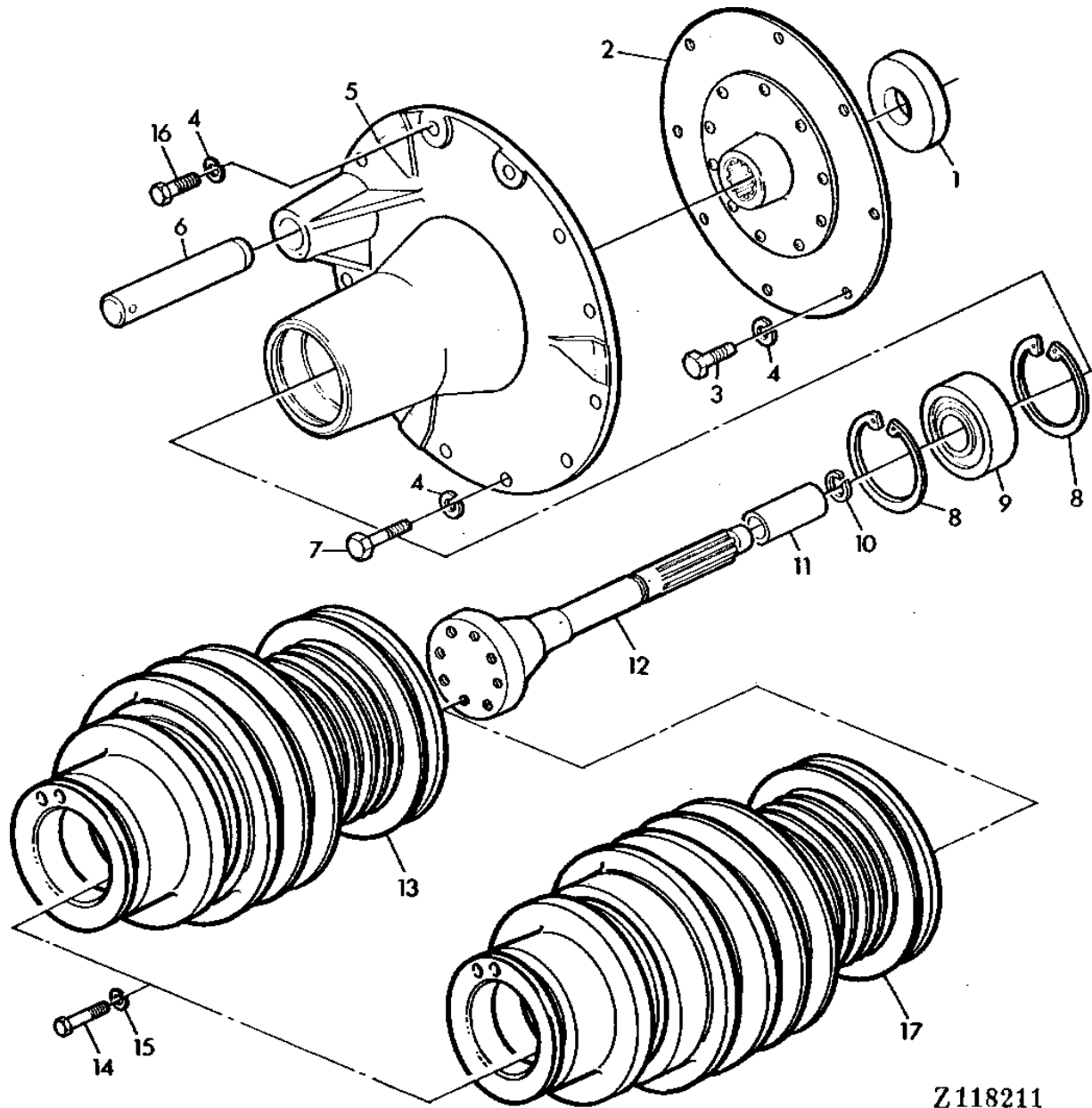
KEY	PART NO.	PART NAME	QTY	SERIAL NO.	4 4 4 3 4 5 3 H 5 Y	REMARKS
1	AZ37003	SUPPORT	1		X X	
2	AZ37358	SUPPORT	1		X X	
3	AZ31944	SUPPORT	2		X X	
4	Z47540	BRACKET	1		X X	L.H.
5	Z34167	SUPPORT	1		X X	
6	Z34168	SUPPORT	1		X X	
7	Z34179	HOLDER	2		X X	
8	AZ35689	BRACKET	1		X X	R.H.
9	H80197	BUSHING	8		X X	
10	H34482	SPACER	4		X X	
11	H78856	RETAINER	8		X X	
12	P50456	WASHER	AR		X X	
13	14M7170	LOCK NUT	4		X X	M16
14	19M7504	CAP SCREW	4		X X	M16 X 85
15	19H1833	CAP SCREW	4		X X	5/8" X 1-1/4"
16	12H294	LOCK WASHER	4		X X	5/8"
17	19M7168	CAP SCREW	5		X X	M10 X 30
18	19M7375	CAP SCREW	AR		X X	M6 X 18
19	24M7088	WASHER	AR		X X	6.600 X 12 X 1.600 MM
20	12M7012	LOCK WASHER	AR		X X	6.100 MM
21	19H1815	CAP SCREW	8		X X	1/2" X 1-1/4"
22	12H301	LOCK WASHER	8		X X	1/2"
23	03M7085	BOLT	AR		X X	M10 X 30
24	14M7140	NUT	AR		X X	M10
25	12M7013	LOCK WASHER	AR		X X	10.200 MM
26	L19008	WASHER	2		X X	
27	19M7169	CAP SCREW	AR		X X	M10 X 35
28	24M7048	WASHER	2		X X	15.500 X 28 X 2.500 MM
29	19M7167	CAP SCREW	AR		X X	M10 X 25
30	AZ42006	RETAINER	1		X X	

1D17

ENGINE

Z118211 -UN-01JAN94

MOTOR PULLEY



Z118211

1D18

ENGINE

MOTOR PULLEY - CONTINUED

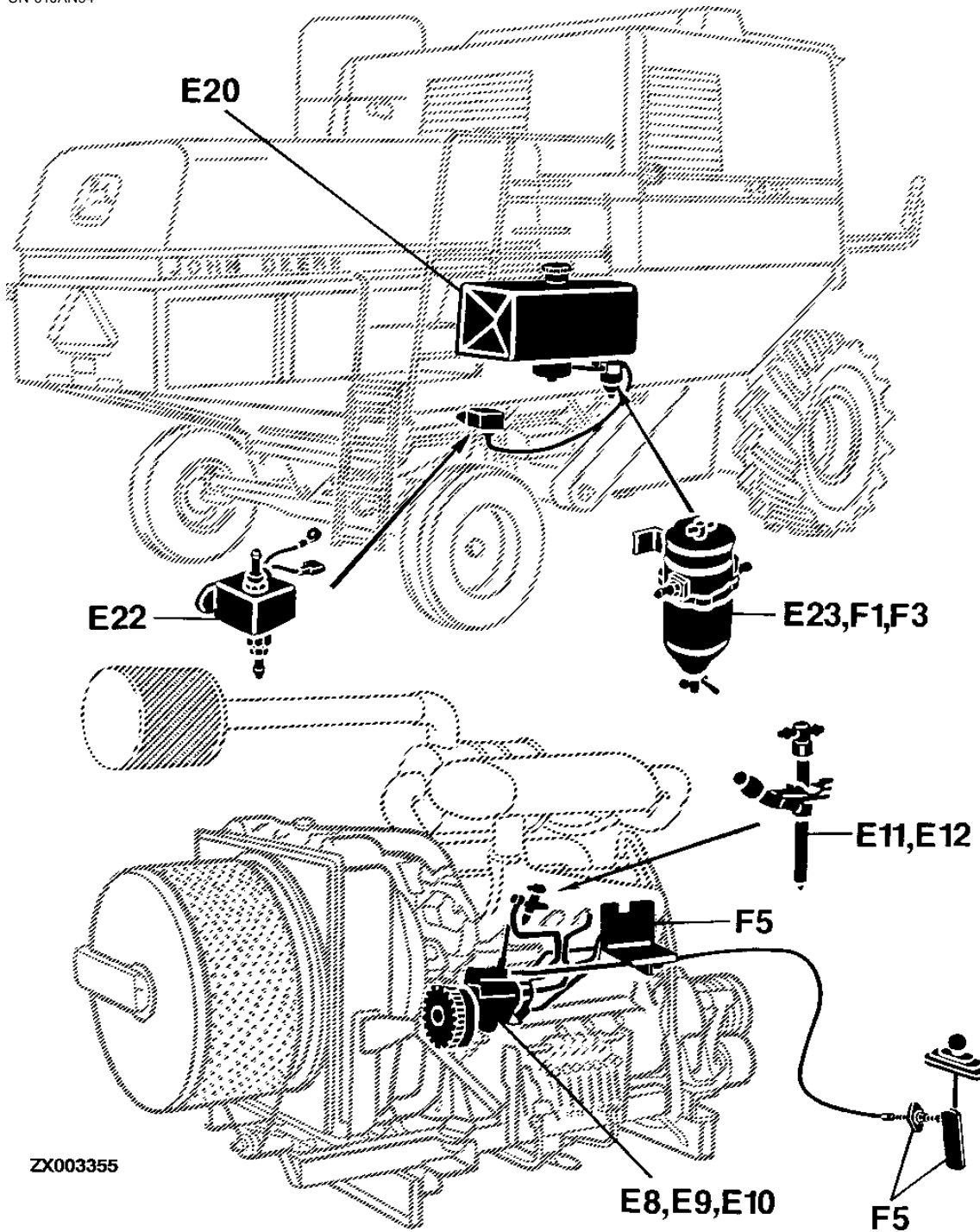
KEY	PART NO.	PART NAME	QTY	SERIAL NO.	4 4 4 3 4 5 3 H 5 Y	REMARKS
1	Z21392	DISK	1		X X	
2	AZ31487	DRIVER	1		X	(SUB AZ42393)
	AZ42393	DRIVE DISK	1		X X	
3	19H1936	CAP SCREW	8		X X	3/8" X 3/4"
4	12H304	LOCK WASHER	AR		X X	3/8"
5	Z10904	HOUSING	1		X X	
6	Z33851	PIN	1		X X	
7	19H1731	CAP SCREW	11		X X	3/8" X 1"
8	40M1873	SNAP RING	2		X X	90 X 3MM
9	AP19769	BALL BEARING	1		X X	
10	40M7073	SNAP RING	1		X X	40 X 2,5MM
11	Z38618	SPACER	1		X X	
12	Z11407	KNUCKLE	1		X X	
13	Z11804	PULLEY	1		X	
14	19M7073	CAP SCREW	8		X X	M12 X 50
15	12M7014	LOCK WASHER	8		X X	12.200 MM
16	19H1732	CAP SCREW	1		X X	3/8" X 1-1/4"
17	Z12278	PULLEY	1		X	

1D20

SECTIONAL PICTORIAL INDEX

XX
XX
XX
XX
XX

ZX003355 -UN-01JAN94

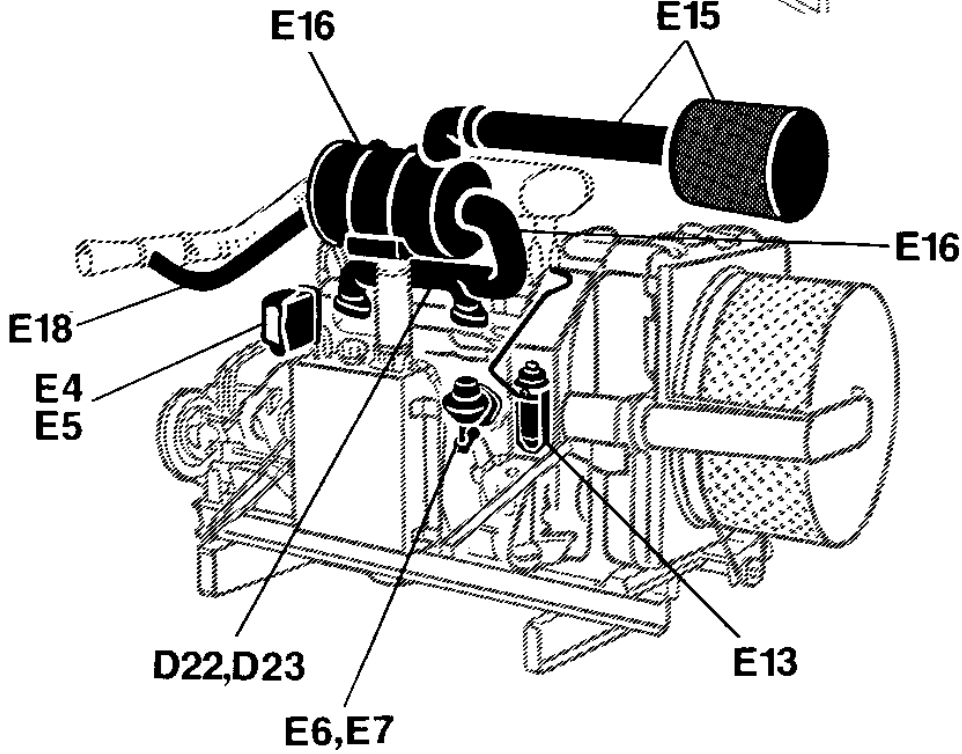
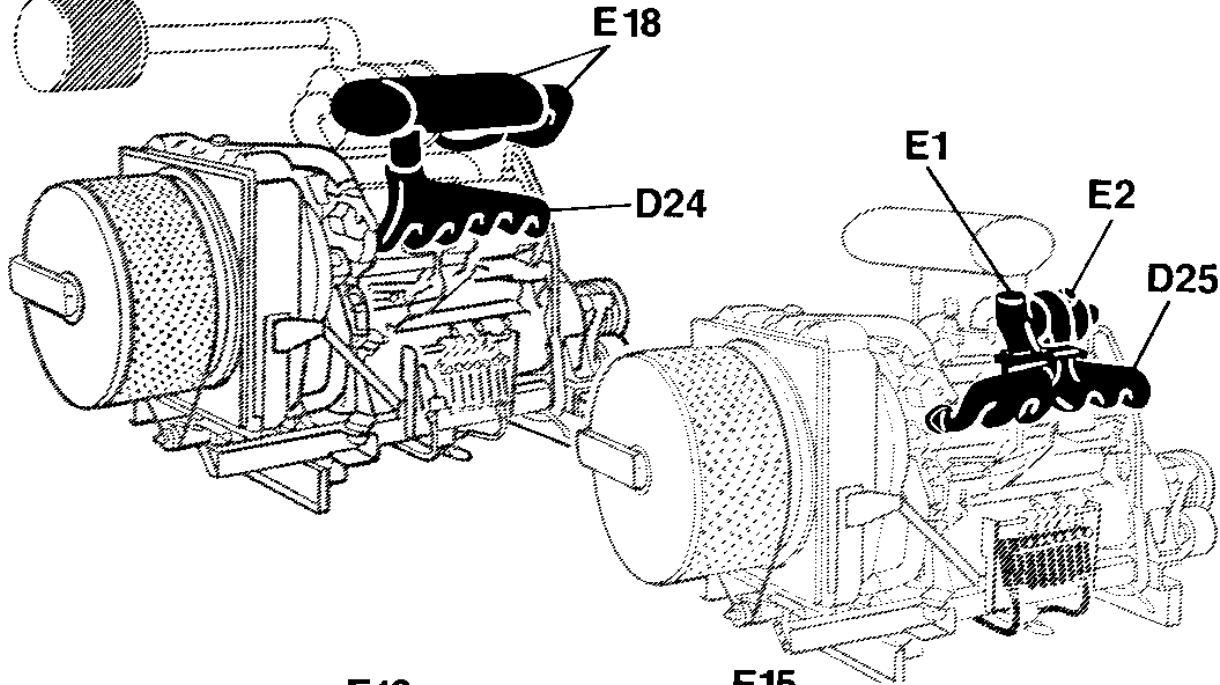


1D21

SECTIONAL PICTORIAL INDEX

XX
XX
XX
XX
XX
XX
XX

ZX003356 -UN-01JAN94



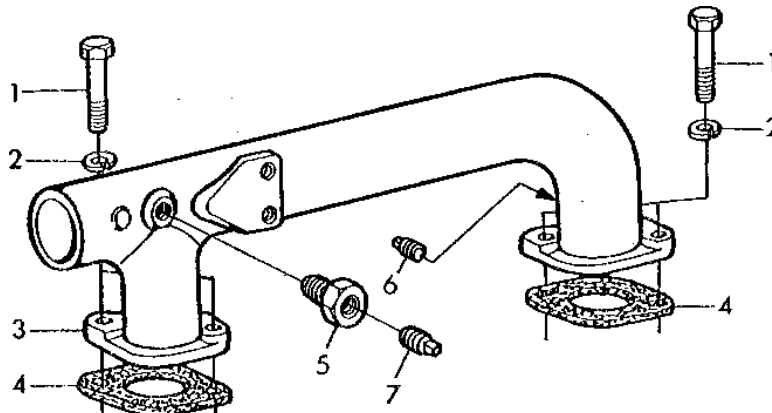
ZX003356

1D22

FUEL AND AIR INTAKE SYSTEM

CD38401 -UN-01JAN94

AIR INTAKE MANIFOLD



CD 38401

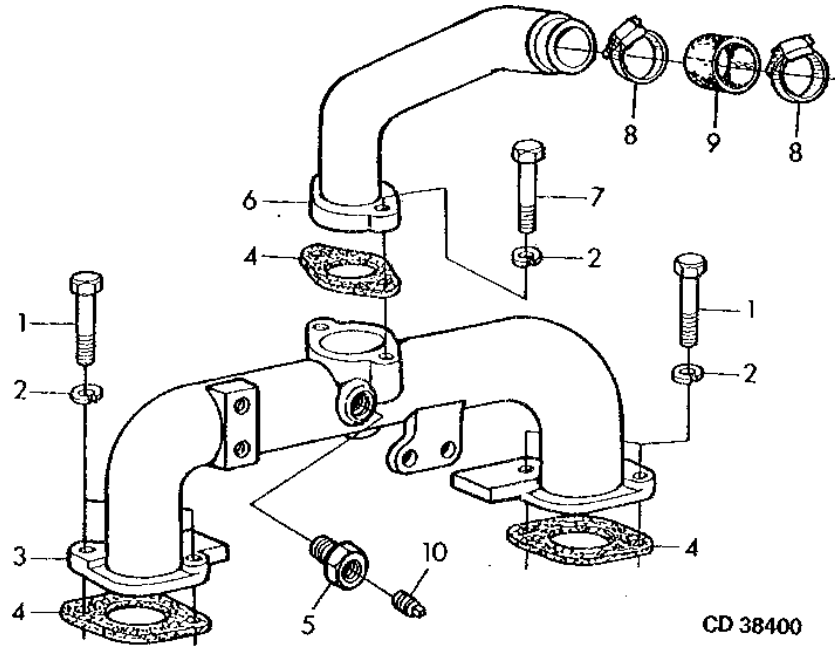
KEY	PART NO.	PART NAME	QTY	ENGINE SERIAL NO.	REMARKS
				4	
				4	
				4 3	
				4 5	
				3 H	
				5 Y	
1	19H1732	CAP SCREW	4	X	3/8" X 1-1/4"
2	12H304	LOCK WASHER	4	X	3/8"
3	T29676	INTAKE MANIFOLD	1	X	
4	R81275	GASKET	2	X	
5	T27986	FITTING	1	X	7/8" X 3/8"
6	15H558	PIPE PLUG	1	X	1/8"
7	15H255	PIPE PLUG	1	X	3/8"

1D23

FUEL AND AIR INTAKE SYSTEM

CD38400 -UN-01JAN94

AIR INTAKE MANIFOLD



CD 38400

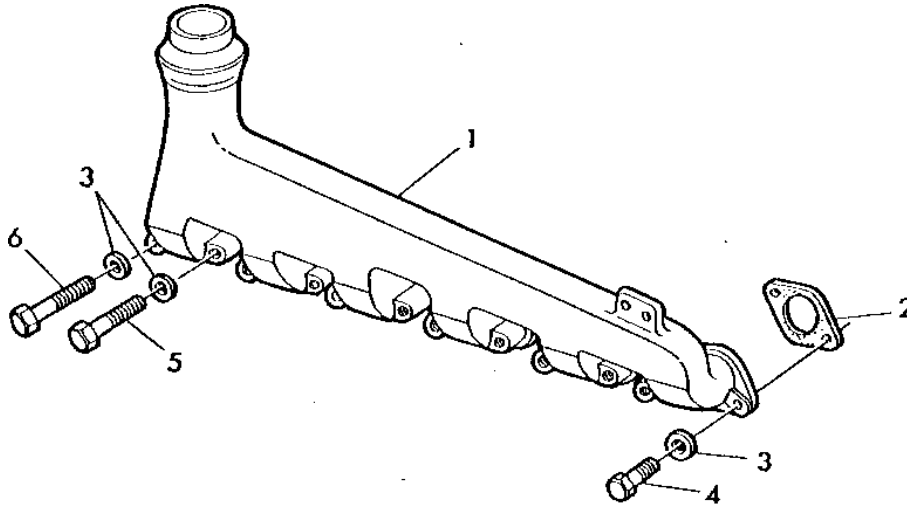
KEY	PART NO.	PART NAME	QTY	ENGINE SERIAL NO.	REMARKS
				4	
				4	
				4 3	
				4 5	
				3 H	
				5 Y	
1	19H1732	CAP SCREW	3	X	3/8" X 1-1/4"
2	12H304	LOCK WASHER	6	X	3/8"
3	R90262	INTAKE MANIFOLD	1	X	
4	R81275	GASKET	3	X	
5	T27986	FITTING	AR	X	7/8" X 3/8"
6	T30819	ELBOW FITTING	1	X	
7	19H2676	CAP SCREW	2	X	3/8" X 1"
8	AR65294	CLAMP	2	X	
9	R56551	HOSE	1	X	
10	15H255	PIPE PLUG	AR	X	3/8"

1D24

FUEL AND AIR INTAKE SYSTEM

CD30113 -UN-01JAN94

EXHAUST MANIFOLD



CD 30 113

4
4
4 3
4 5
3 H
5 Y

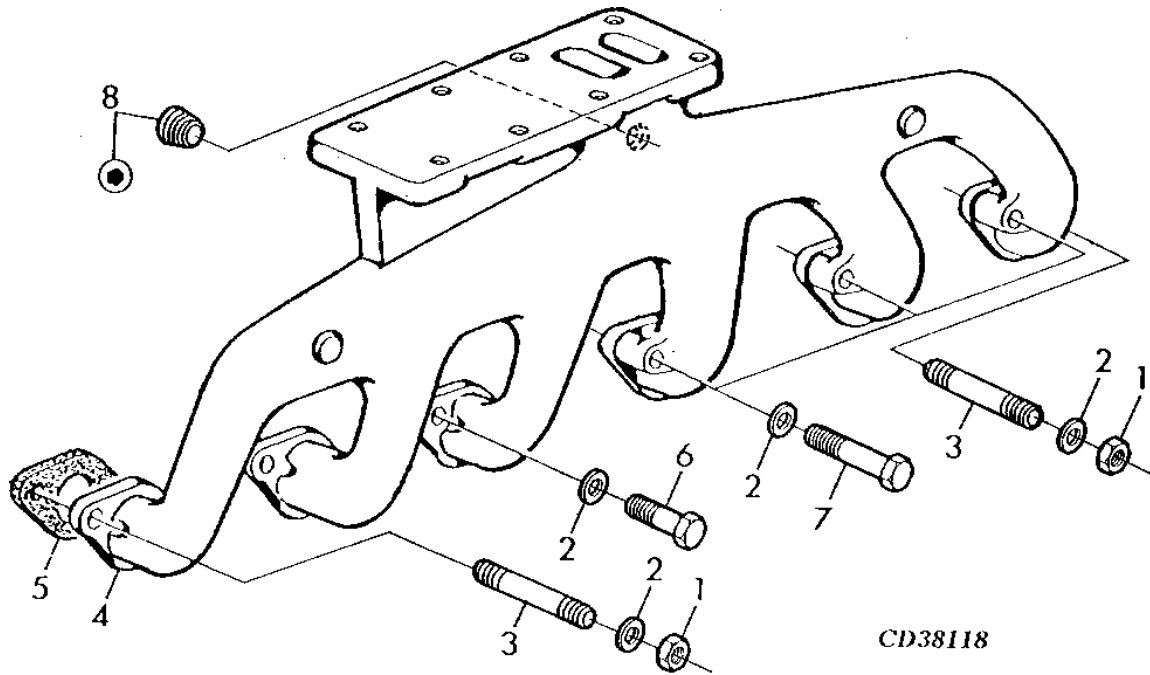
KEY	PART NO.	PART NAME	QTY	ENGINE SERIAL NO.	REMARKS
1	R65850	EXHAUST MANIFOLD	1	X	
2	R90658	GASKET	6	X	
3	24H1303	WASHER	12	X	13/32" X 11/16" X 0.065"
4	19H988	CAP SCREW	1	X	3/8" X 1-1/4"
5	19H268	CAP SCREW	5	X	3/8" X 2-1/2"
6	19H1912	CAP SCREW	6	X	3/8" X 3-1/2"

1D25

FUEL AND AIR INTAKE SYSTEM

CD38118 -UN-01JAN94

EXHAUST MANIFOLD



CD38118

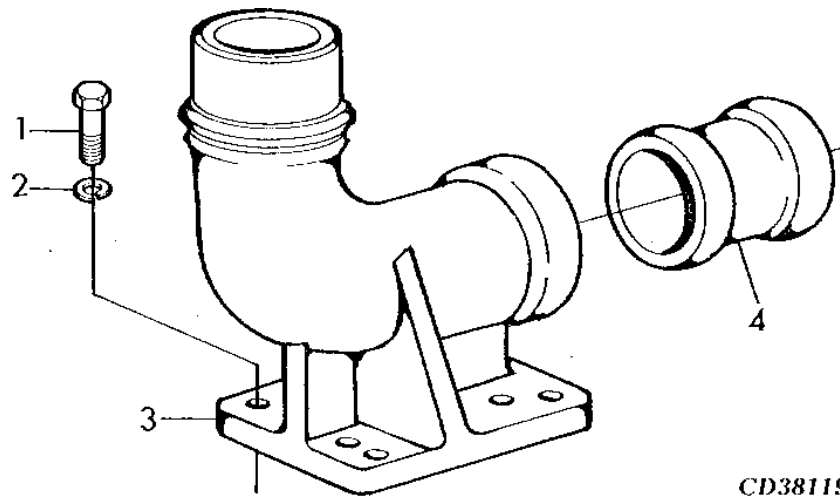
KEY	PART NO.	PART NAME	QTY	ENGINE SERIAL NO.	REMARKS
				4	
				4	
				4 3	
				4 5	
				3 H	
				5 Y	
1	14H812	NUT	2	X	3/8"
2	24M7106	WASHER	12	X	10 X 18 X 2.500 MM
3	R106861	STUD	2	X	LGTH = 48.5MM (1.90")
4	EXHAUST MANIFOLD	1	X	(MARKED T30818) (ORDER CE15515 AND 15M7044)
	CE15515	EXHAUST MANIFOLD	AR	X	
5	R90658	GASKET	6	X	
6	19H1732	CAP SCREW	7	X	3/8" X 1-1/4"
7	19H1912	CAP SCREW	3	X	3/8" X 3-1/2"
8	15M7044	DRAIN PLUG	1	X	12 X 1.25 MM, FOR CE15515

1E1

FUEL AND AIR INTAKE SYSTEM

EXHAUST ELBOW

CD38119 -UN-01JAN94



CD38119

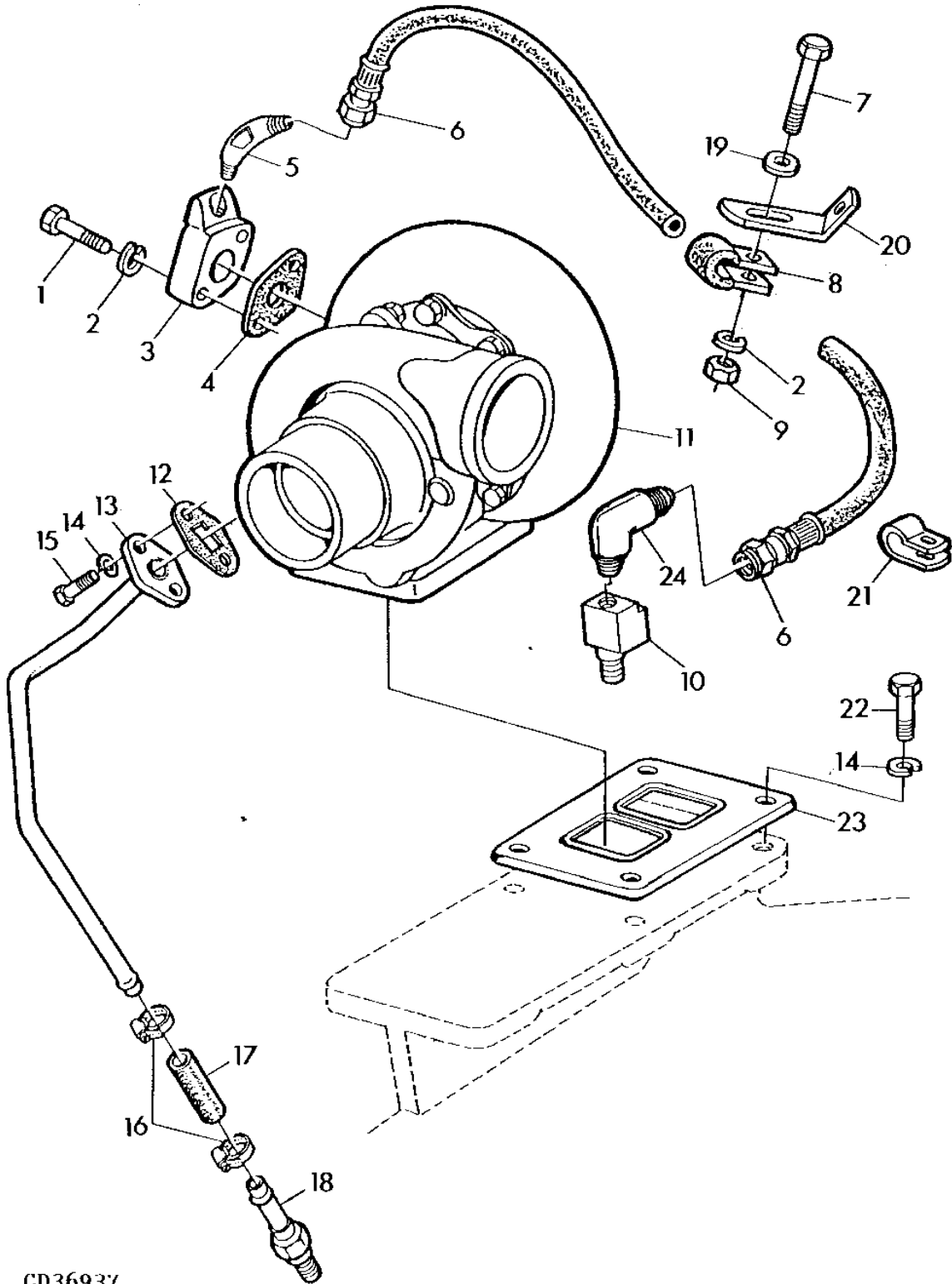
KEY	PART NO.	PART NAME	QTY	ENGINE SERIAL NO.	REMARKS
1	19H2552	CAP SCREW	4	4	X 3/8" X 1-1/8"
2	12H304	LOCK WASHER	4	4	X 3/8"
3	R66719	ELBOW FITTING	1	3	X
4	R51736	ADAPTER	1	5	X

1E2

FUEL AND AIR INTAKE SYSTEM

TURBOCHARGER AND OIL LINES

CD36937 -UN-01JAN94



CD36937

1E3

FUEL AND AIR INTAKE SYSTEM

TURBOCHARGER AND OIL LINES - CONTINUED

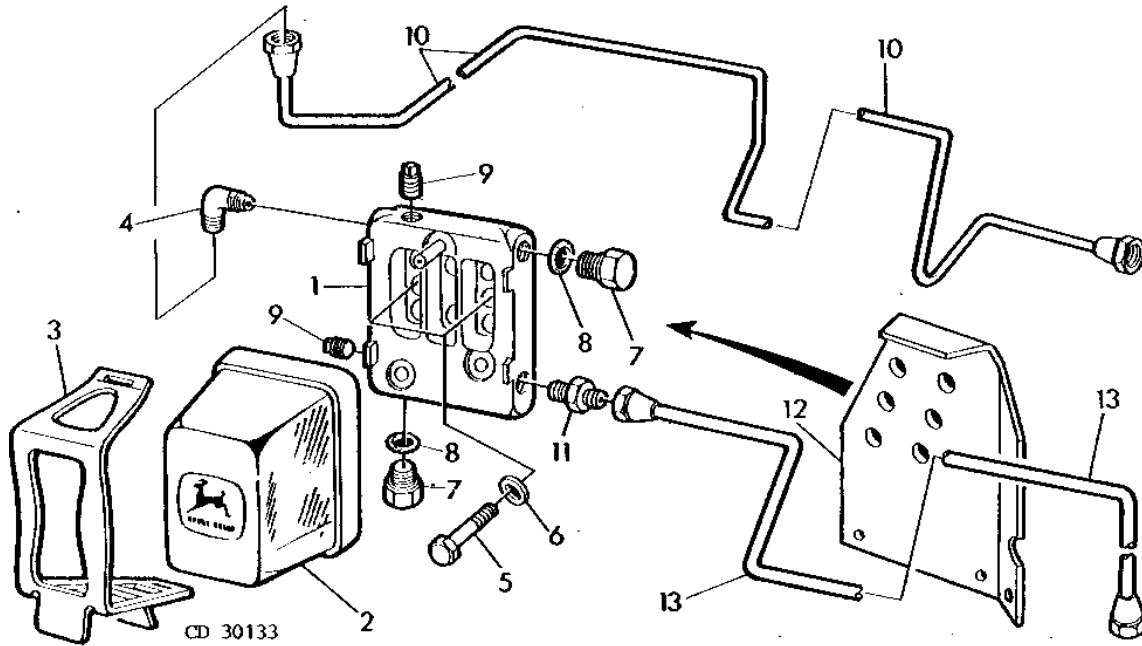
KEY	PART NO.	PART NAME	QTY	ENGINE SERIAL NO.		
					4	REMARKS
					4	
					4	
					4 3	
					4 5	
					3 H	
					5 Y	
1	19H1901	CAP SCREW	2		X	5/16" X 2"
2	12H303	LOCK WASHER	3		X	5/16"
3	T30199	ADAPTER	1		X	
4	R97348	GASKET	1		X	
5	T24945	ELBOW FITTING	1		X	
6	RE23181	HYDRAULIC HOSE	1		X	
7	19H1813	CAP SCREW	1		X	5/16" X 5/8"
8	R46414	CLAMP	1		X	
9	14H785	NUT	1		X	5/16"
10	T19158	TEE FITTING	1		X	
11	TURBOCHARGER	1		X	MODEL TA3401, (ORDER RE32204)
	RE32204	KIT	AR		X	MODEL TA3401
12	R97349	GASKET	1		X	
13	RE22289	OIL LINE	1		X	
14	12H304	LOCK WASHER	2		X	3/8"
15	19H2284	CAP SCREW	2		X	3/8" X 7/8"
16	AT18904	CLAMP	2		X	
17	HOSE	1		X	LGTH=203MM (7.99") (MAKE FROM R104536)
18	R82859	FITTING	1		X	
19	24H1136	WASHER	1		X	11/32" X 11/16" X 0.065"
20	T24393	STRAP	1		X	
21	CLAMP	NA		X	
22	19H2552	CAP SCREW	4		X	3/8" X 1-1/8"
23	R89879	GASKET	1		X	
24	R82131	ELBOW FITTING	1		X	
..	R104536	HOSE	AR		X	I.D. X LGTH = 19MM X 2000MM (0.74" X 78.74") MARKED UN4666

1E4

FUEL AND AIR INTAKE SYSTEM

FUEL FILTER AND LINES (FOR FUEL PUMP WITH THREADED FITTINGS)

CD30133 -UN-01JAN94



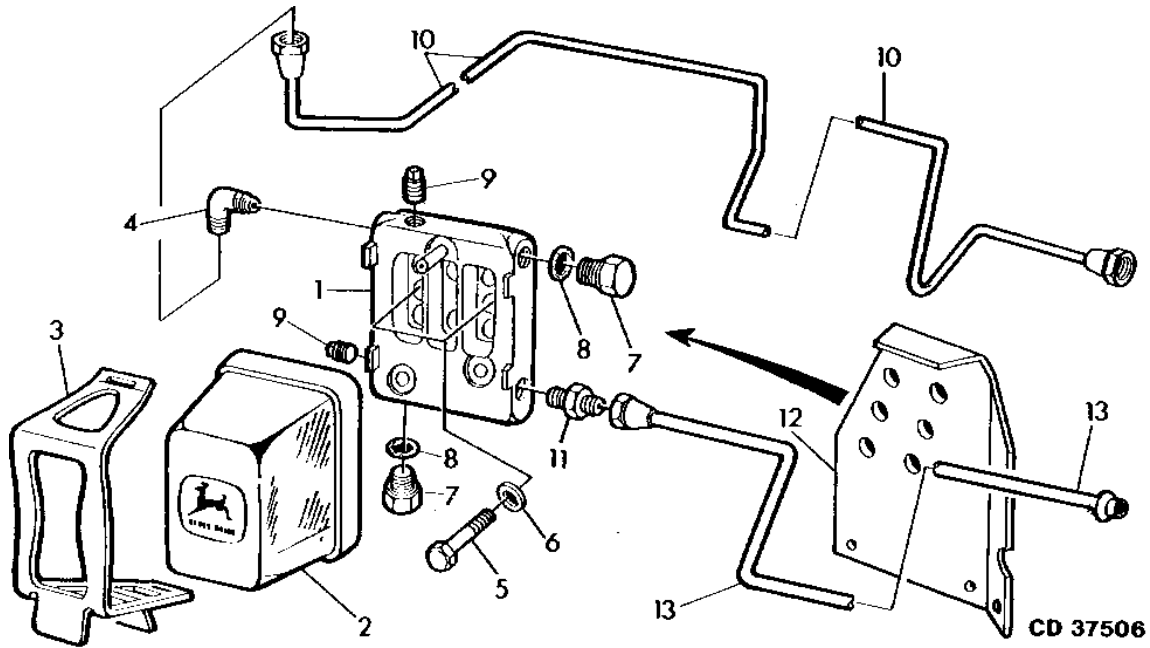
KEY	PART NO.	PART NAME	QTY	ENGINE SERIAL NO.		REMARKS
1	HOUSING	1	-845102	X	(MARKED RE28534) (ORDER RE28535 AND 15H558)
	RE28535	HOUSING	1	845103-	X	
2	AR50041	FUEL FILTER	1		X	
3	R66821	CLAMP	1		X	
4	R82131	ELBOW FITTING	1		X	
5	19H1731	CAP SCREW	2		X	3/8" X 1"
6	24H1303	WASHER	2		X	13/32" X 11/16" X 0.065"
7	R48071	DRAIN PLUG	2		X	
8	R26287	O-RING	2		X	
9	15H558	PIPE PLUG	1	-845102	X	1/8", LOWER
	15H558	PIPE PLUG	2	845103-	X	1/8"
10	RE26983	FUEL LINE	1		X	
11	R27346	FITTING	1		X	
12	CD16159	BRACKET	1		X	
13	AR84732	FUEL LINE	1		X	(USE WITH RE37482)

1E5

FUEL AND AIR INTAKE SYSTEM

CD37506 -UN-01JAN94

FUEL FILTER AND LINES (FOR FUEL PUMP WITH HOSE CONNECTION)



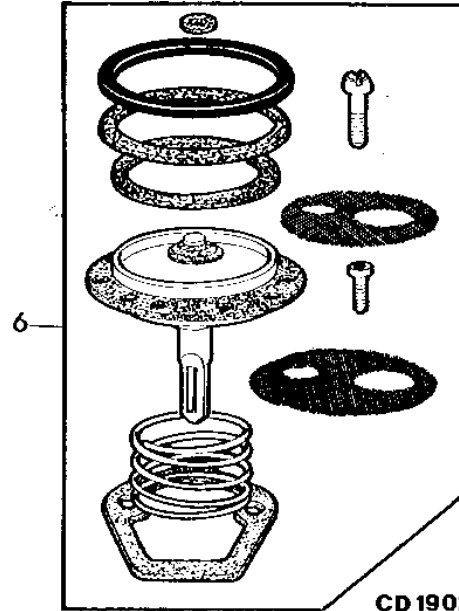
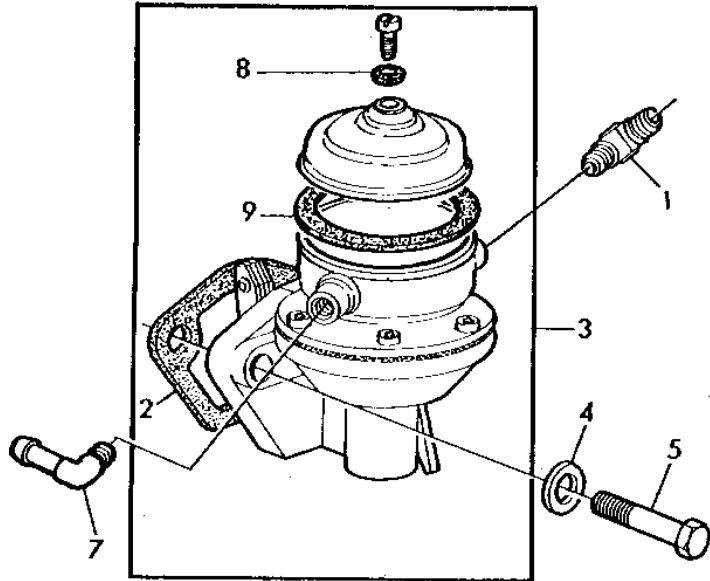
KEY	PART NO.	PART NAME	QTY	ENGINE SERIAL NO.		REMARKS
				4	5	
				4	4	
				4	3	
				4	5	
				3	H	
				5	Y	
1	RE28535	HOUSING	1	X	X	
2	AR50041	FUEL FILTER	1	X	X	
3	R66821	CLAMP	1	X	X	
4	R82131	ELBOW FITTING	1	X	X	
5	19H1731	CAP SCREW	2	X	X	3/8" X 1"
6	24H1303	WASHER	2	X	X	13/32" X 11/16" X 0.065"
7	R48071	DRAIN PLUG	2	X	X	
8	R26287	O-RING	2	X	X	
9	15H558	PIPE PLUG	2	X	X	1/8"
10	RE26983	FUEL LINE	1	X	X	
11	R27346	FITTING	1	X	X	
12	CD16159	BRACKET	1	X	X	
13	RE38015	FUEL LINE	1	X	X	(USE WITH RE38009)

1E6

FUEL AND AIR INTAKE SYSTEM

CD19024 -UN-01JAN94

FUEL TRANSFER PUMP "SOFABEX"



CD 19024

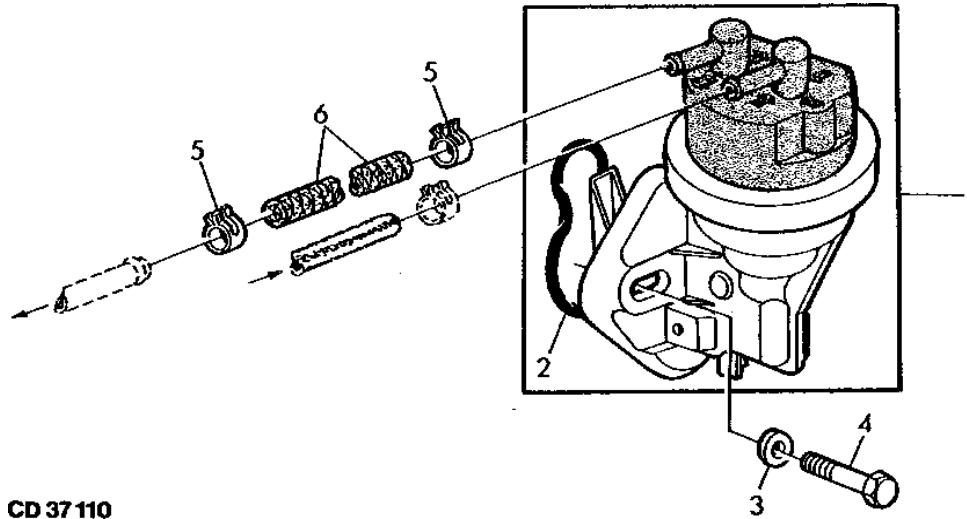
KEY	PART NO.	PART NAME	QTY	ENGINE SERIAL NO.	REMARKS
				4	
				4	
				4 3	
				4 5	
				3 H	
				5 Y	
1	R82131	ELBOW FITTING	2	X X	
2	R97350	GASKET	1	X X	
3	RE37482	FUEL PUMP	1	X X	(ORDER RE27667)
4	T27860	WASHER	2	X X	
5	19H1849	CAP SCREW	2	X X	5/16" X 1-1/4"
6	RE37463	KIT	AR	X X	
7	R61356	ELBOW FITTING	1	X X	
8	R64506	WASHER	1	X X	

1E7

FUEL AND AIR INTAKE SYSTEM

CD37110 -UN-01JAN94

FUEL TRANSFER PUMP "SOFABEX" (COMPOSITE MATERIAL COVER)



CD 37110

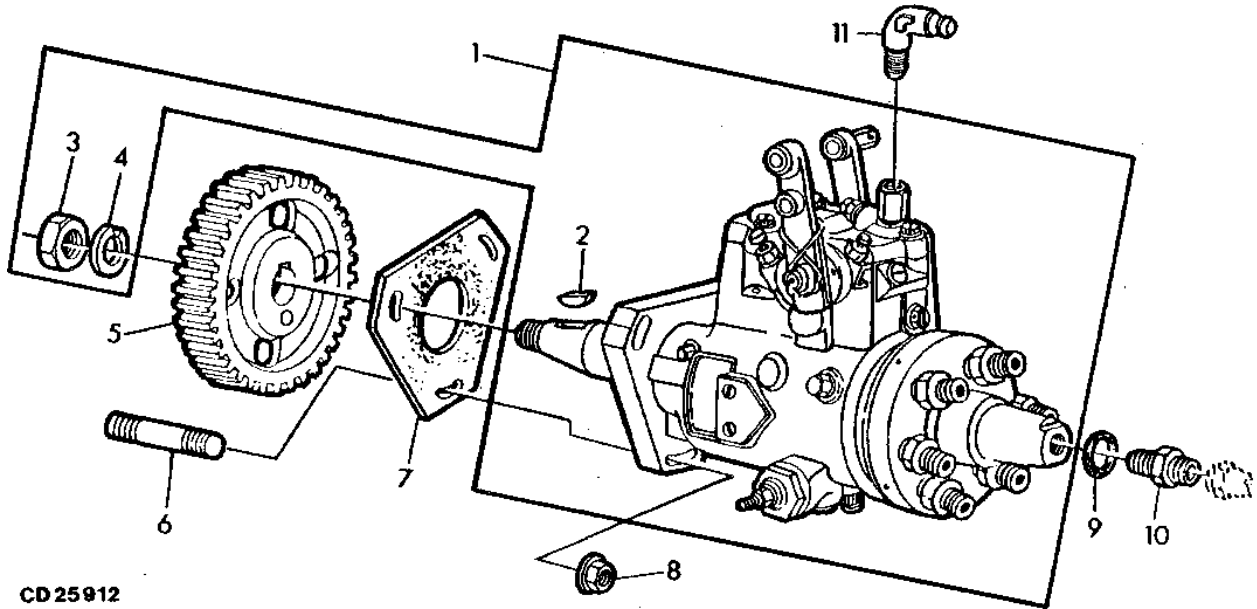
KEY	PART NO.	PART NAME	QTY	ENGINE SERIAL NO.	REMARKS
				4	
				4	
				4 3	
				4 5	
				3 H	
				5 Y	
1	RE38009	FUEL PUMP	1	X X	
2	T16318	O-RING	1	X X	
3	24H1243	WASHER	2	X X	11/32" X 5/8" X 1/16"
4	19H2127	CAP SCREW	2	X X	5/16" X 7/8"
5	R34766	CLAMP	2	X X	
6	HOSE	1	X X	(MAKE FROM L60913)
..	L60913	HOSE	AR	X X	LGTH=5050MM (198.81")

1E8

FUEL AND AIR INTAKE SYSTEM

CD25912 -UN-01JAN94

FUEL INJECTION PUMP



CD25912

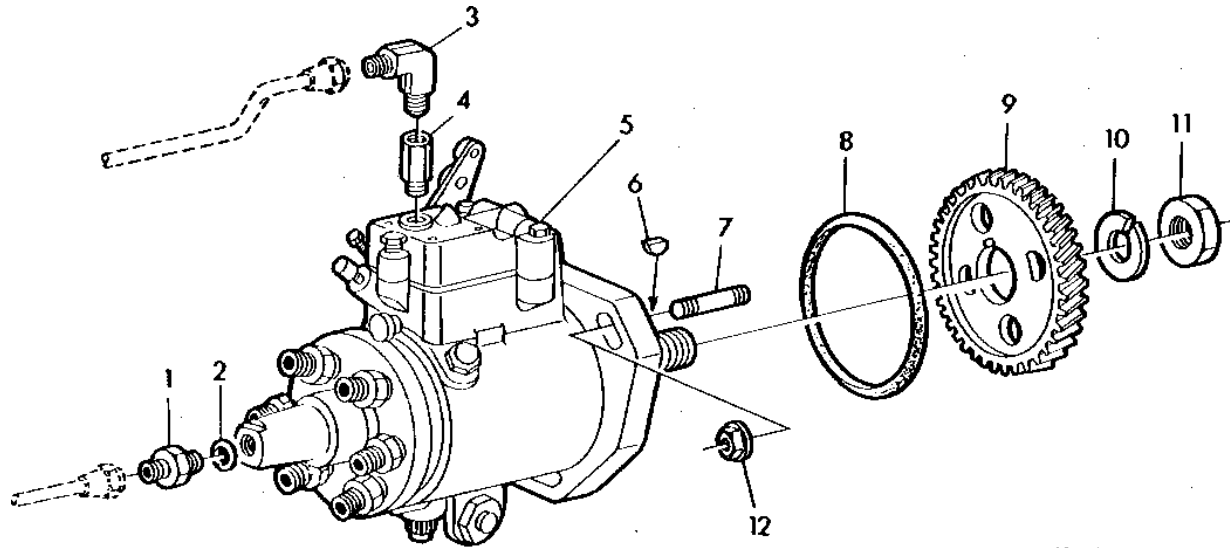
KEY	PART NO.	PART NAME	QTY	ENGINE SERIAL NO.	REMARKS
				4	
				4	
				4 3	
				4 5	
				3 H	
				5 Y	
1	RE12323	FUEL INJECTION PUMP	1	X	DB2635MD4152,SEE YOUR AUTHORIZED PUMP REPAIR STATION FOR INTERNAL PARTS
2	SHAFT KEY	1	X	
3	NUT	1	X	
4	R48600	LOCK WASHER	1	X	
5	R76964	PINION	1	X	Z = 48
6	T23442	STUD	3	X	
7	R77126	GASKET	1	X	
8	A22698	NUT	3	X	(SUB FOR 24H1243, 12H303 AND 14H785, THIS APPLICATION)
9	R26286	O-RING	1	X	
10	R27272	FITTING	1	X	
11	T13201	ELBOW FITTING	1	X	

1E9

FUEL AND AIR INTAKE SYSTEM

CD23137 -UN-01JAN94

FUEL INJECTION PUMP



CD 23137

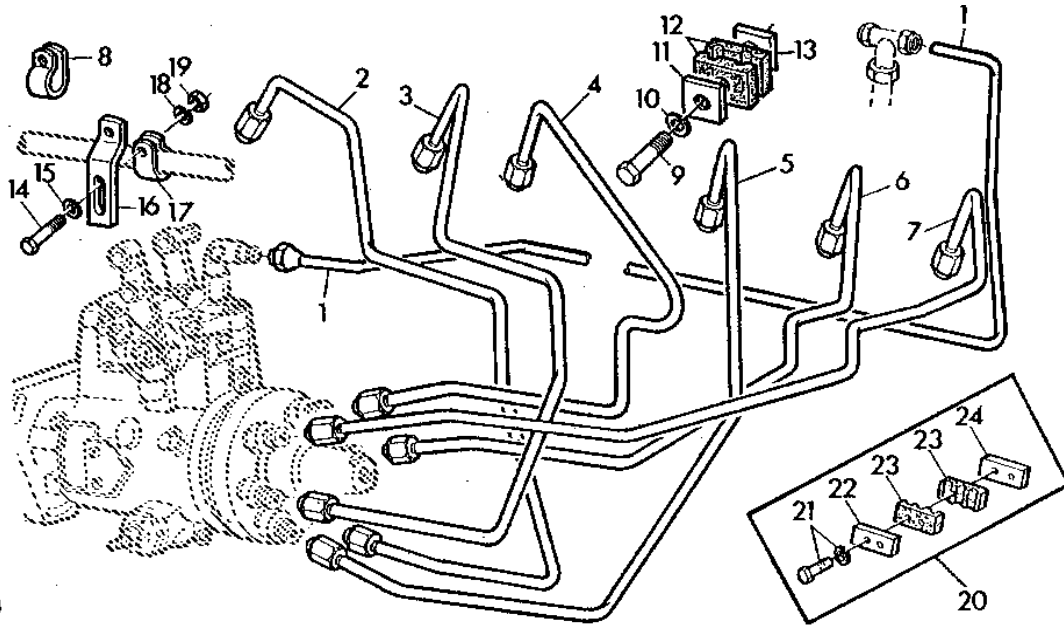
KEY	PART NO.	PART NAME	QTY	ENGINE SERIAL NO.	REMARKS
				4	
				4	
				4 3	
				4 5	
				3 H	
				5 Y	
1	R27272	FITTING	1	X	
2	R26286	O-RING	1	X	
3	T13201	ELBOW FITTING	1	X	
4	R36535	CHECK VALVE	1	X	
5	RE22391	FUEL INJECTION PUMP	1	X	DM4627-4519 SEE YOUR AUTHORIZED PUMP REPAIR STATION FOR INTERNAL PARTS
6	R56424	SHAFT KEY	1	X	
7	T23442	STUD	3	X	
8	R54229	SEAL	1	X	
9	R56056	GEAR	1	X	Z = 48
10	R56423	WASHER	1	X	
11	R56422	NUT	1	X	
12	A22698	NUT	3	X	5/16"

1E10

FUEL AND AIR INTAKE SYSTEM

CD25913 -UN-01JAN94

FUEL LINES



CD 25913

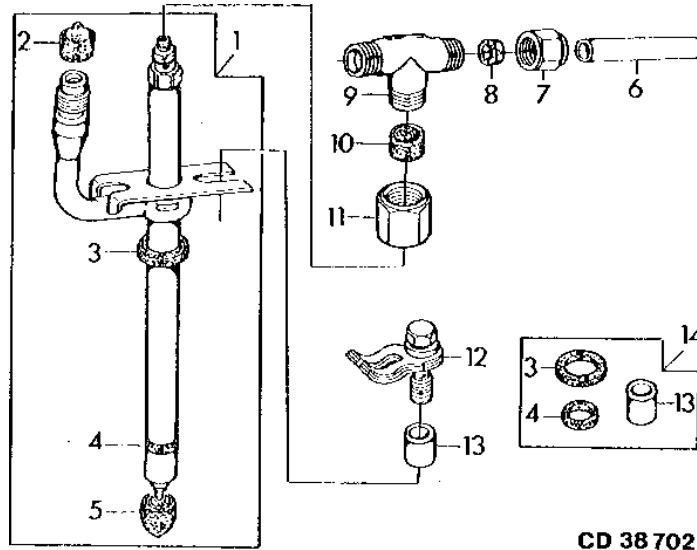
KEY	PART NO.	PART NAME	QTY	ENGINE SERIAL NO.	REMARKS
				4	
				4	
				4 3	
				4 5	
				3 H	
				5 Y	
1	AR89484	TUBE	1	X X	(SUB FOR AR104555)
2	RE20789	FUEL LINE	1	X X	NO 1
3	RE20790	FUEL LINE	1	X X	NO 2
4	AR78293	FUEL LINE	1	X X	NO 3
5	AR78294	FUEL LINE	1	X X	NO 4
6	AR78295	FUEL LINE	1	X X	NO 5
7	AR78296	FUEL LINE	1	X X	NO 6
8	T29969	CLAMP	1	X X	
9	19M7502	CAP SCREW	1	X X	M5 X 25
10	12H246	LOCK WASHER	1	X X	NO 10
11	R59305	STRAP	1	X X	
12	R58186	CLAMP	1	X X	
13	R82061	STRAP	1	X X	
14	19H1900	CAP SCREW	1	X X	5/16" X 3/4"
15	24H1136	WASHER	1	X X	11/32" X 11/16" X 0.065"
16	R48569	BRACKET	1	X X	
17	T13914	CLAMP	1	X X	
18	12H303	LOCK WASHER	1	X X	5/16"
19	14H785	NUT	1	X X	5/16"
20	CLAMP	2	X X	(ORDER AR76704, R59298, R59297 AND R61145)
21	AR76704	SCREW	2	X X	
22	R59298	STRAP	1	X X	
23	R59297	HALF CLAMP	2	X X	
24	R61145	STRAP	1	X X	

1E11

FUEL AND AIR INTAKE SYSTEM

FUEL INJECTION NOZZLE

CD38702 -UN-01JAN94



CD 38 702

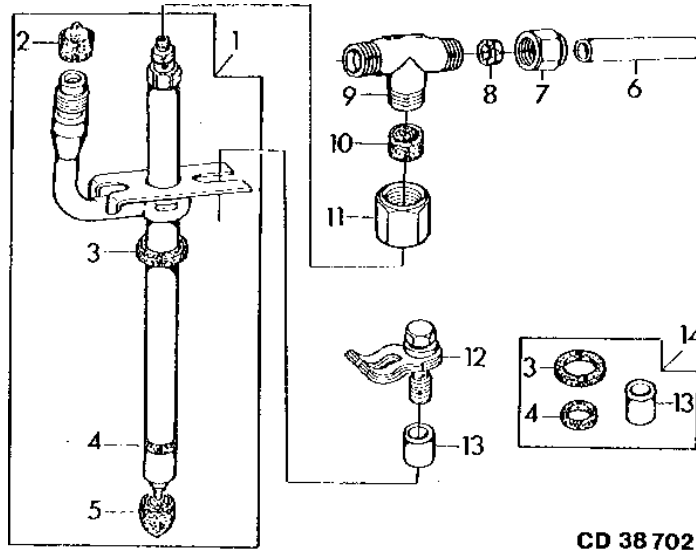
KEY	PART NO.	PART NAME	QTY	SERIAL NO.	REMARKS
				4	
				4	
				4 3	
				4 5	
				3 H	
				5 Y	
1	AR89564	INJECTION NOZZLE	6	X	MARKED 27333, (SUB FOR AR89563)
2	T31174	PLUG	AR	X	
3	SEALING WASHER	1	X	TK=3MM (0.118"), NSEP, ORDER RE13887
4	PACKING	1	X	NSEP, ORDER RE13887
5	T24472	PLUG	AR	X	
6	R66090	TUBE	5	X	
7	R51937	TUBE NUT	12	X	
8	R51936	PACKING	12	X	
9	R79606	TEE FITTING	6	X	
10	R79605	WASHER	6	X	
11	R79604	TUBE NUT	6	X	
12	R34760	CLAMP	6	X	
13	SPACER	6	X	TK=12.5MM (0.492"), NSEP, ORDER RE13887
14	RE13887	O-RING KIT	AR	X	

1E12

FUEL AND AIR INTAKE SYSTEM

FUEL INJECTION NOZZLE

CD38702 -UN-01JAN94



CD 38 702

KEY	PART NO.	PART NAME	QTY	SERIAL NO.	REMARKS
				4	
				4	
				4 3	
				4 5	
				3 H	
				5 Y	
1	RE37503	INJECTION NOZZLE	6		X MARKED 26992, (SUB FOR RE31757)
2	T31174	PLUG	AR		X
3	SEALING WASHER	1		X TK=1.9MM (0.074"), NSEP, ORDER RE32011
4	PACKING	1		X NSEP, ORDER RE32011
5	T24472	PLUG	AR		X
6	R66090	TUBE	5		X
7	R51937	TUBE NUT	12		X
8	R51936	PACKING	12		X
9	R79606	TEE FITTING	6		X
10	R79605	WASHER	6		X
11	R79604	TUBE NUT	6		X
12	R34760	CLAMP	6		X
13	SPACER	6		X TK=11.5MM (0.452"), NSEP, ORDER RE32011
14	RE32011	O-RING KIT	AR		X

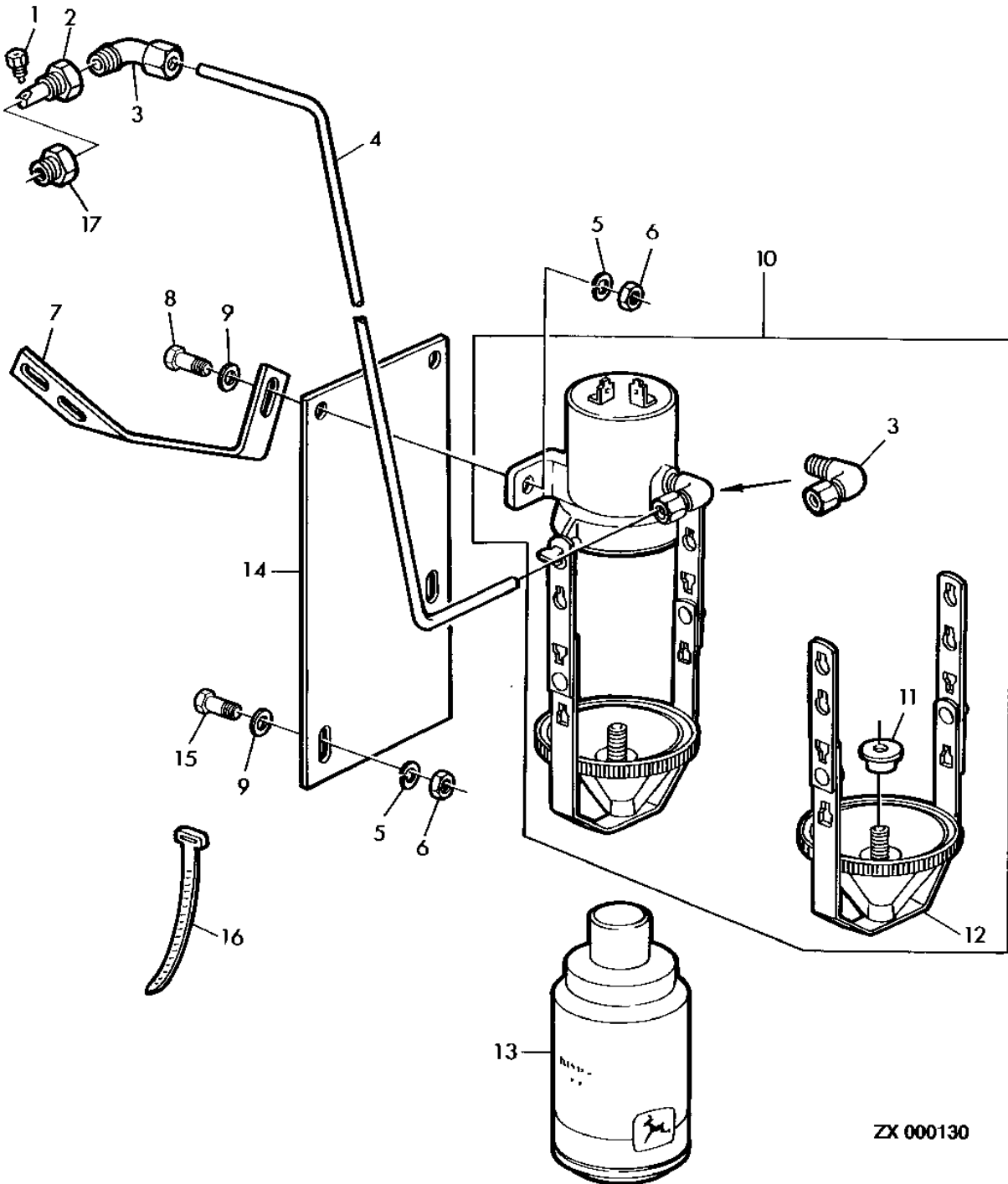
MEMORANDA

1E13

FUEL AND AIR INTAKE SYSTEM

ZX000130 -UN-11JUL96

COLD WEATHER STARTING AID



ZX 000130

1E14

FUEL AND AIR INTAKE SYSTEM

COLD WEATHER STARTING AID - CONTINUED

KEY	PART NO.	PART NAME	QTY	SERIAL NO.	4 4 4 3 4 5 3 H 5 Y	REMARKS
1	R28583	NOZZLE	1		X X	
2	R47160	NOZZLE HOLDER	1		X X	
3	AT25266	ELBOW FITTING	2		X X	
4	Z39717	TUBE	1		X X	
5	12M7008	LOCK WASHER	4		X X	8.100 MM
6	14M7029	NUT	4		X X	M8
7	Z46758	BRACE	1		X X	
8	19M7377	CAP SCREW	1		X X	M8 X 28
9	24M7036	WASHER	4		X X	9 X 16 X 1.600 MM
10	AT39623	SOLENOID	1		X X	
11	T46726	GASKET	1		X X	
12	AT57288	BAIL	1		X X	
13	RE33636	STARTING FLUID	1		X X	
14	Z44917	RETAINER	1		X X	
15	19M7376	CAP SCREW	3		X X	M8 X 22
16	R44302	TIE BAND	AR		X X	
17	T27986	FITTING	1		X X	

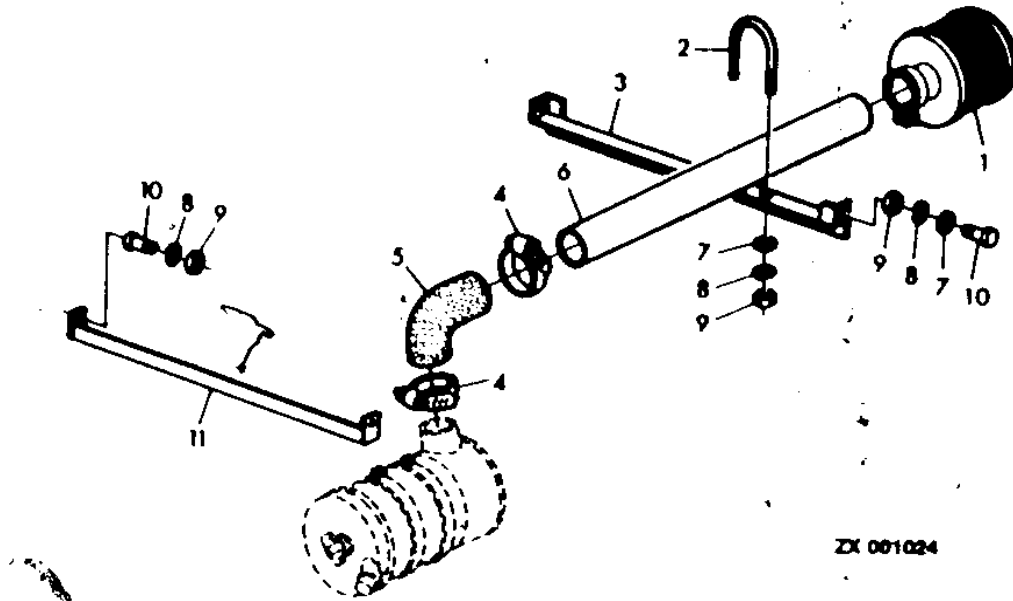
MEMORANDA

1E15

FUEL AND AIR INTAKE SYSTEM

ZX001024 -UN-02JAN94

PRECLEANER AND AIR INTAKE TUBES



ZX 001024

4
4
4 3
4 5
3 H
5 Y

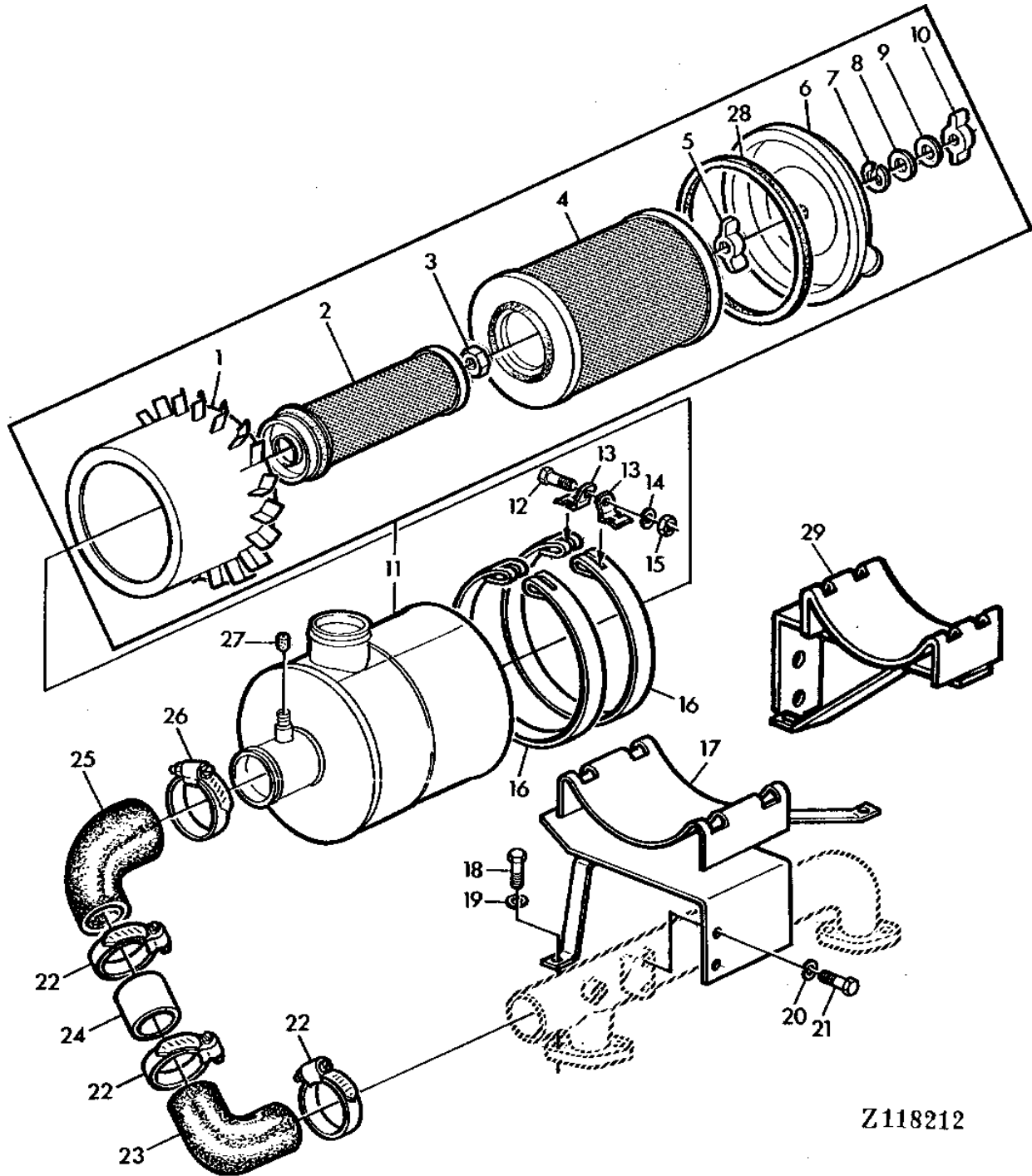
KEY	PART NO.	PART NAME	QTY	SERIAL NO.	REMARKS
1	AZ26332	PRESCREENER	1	X X	
2	Z44805	BAIL	1	X X	
3	AZ36749	RETAINER	1	X X	
4	Z29925	CLAMP	2	X X	
5	Z41056	HOSE	1	X X	
6	Z44801	PIPE	1	X	(SUB Z46138)
	Z46138	TUBE	1	X X	
7	24M7055	WASHER	6	X X	8.400 X 16 X 1.600 MM
8	12M7008	LOCK WASHER	6	X X	8.100 MM
9	14M7029	NUT	6	X X	M8
10	19M7139	CAP SCREW	4	X X	M8 X 20
11	Z46131	RETAINER	1	X X	

1E16

FUEL AND AIR INTAKE SYSTEM

Z118212 -UN-01JAN94

AIR CLEANER AND AIR INTAKE TUBES



Z118212

1E17

FUEL AND AIR INTAKE SYSTEM

AIR CLEANER AND AIR INTAKE TUBES - CONTINUED

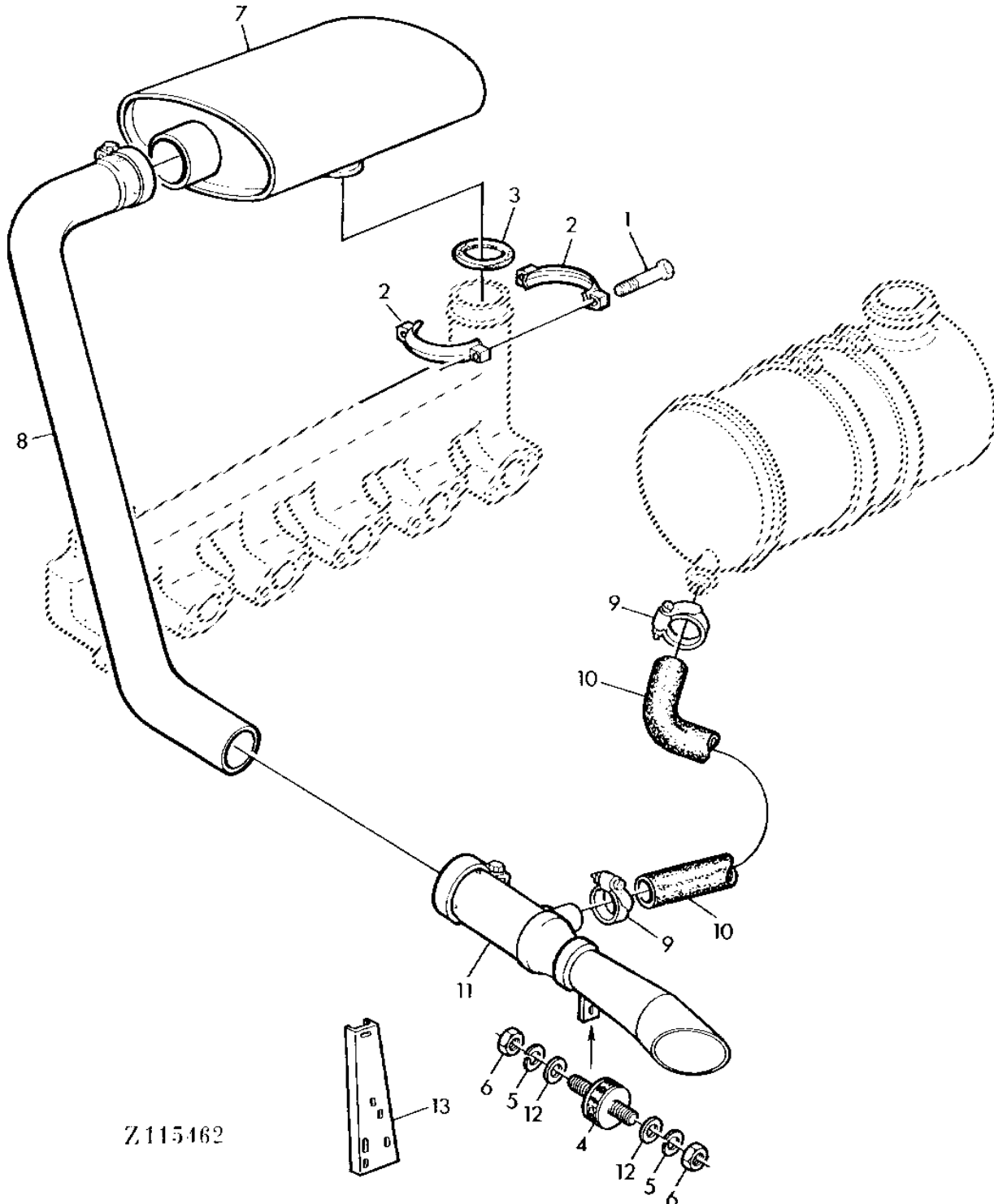
KEY	PART NO.	PART NAME	QTY	SERIAL NO.	REMARKS
					4
					4
					4 3
					4 5
					3 H
					5 Y
1	Z44497	LOUVER	1		X X
2	AZ30758	AIR CLEANER	1		X X
3	14M7158	NUT	1		X X M16
4	AZ30757	AIR CLEANER	1		X X
5	AZ20599	WING NUT	1		X X
6	AZ30820	COVER	1		X X
7	Z37823	SNAP RING	1		X X
8	Z37824	WASHER	1		X X
9	Z37825	WASHER	1		X X
10	Z37826	WING NUT	1		X X
11	AZ30764	AIR CLEANER	1		X X INCL. KEY 27
12	19M7547	CAP SCREW	2		X X M6 X 55
13	P50487	CLIP	2		X X
14	12M7012	LOCK WASHER	2		X X 6.100 MM
15	14M7025	WING NUT	2		X X M10
16	Z29989	ADJUSTING STRAP	2		X X
17	AZ35302	RETAINER	1		X
18	19H1800	CAP SCREW	2		X X 3/8" X 1-1/2"
19	12H304	LOCK WASHER	2		X X 3/8"
20	12H303	LOCK WASHER	2		X X 5/16"
21	19H2020	CAP SCREW	2		X X 5/16" X 1/2"
22	Z30340	CLAMP	3		X X
23	Z32741	HOSE	1		X X
24	Z44804	SPACER	1		X
	Z46137	TUBE	1		X
25	Z32740	HOSE	1		X X
26	Z29925	CLAMP	1		X X
27	Z36939	FELT	1		X X
28	Z53089	GASKET	1		X X
29	AZ36750	RETAINER	1		X

1E18

FUEL AND AIR INTAKE SYSTEM

Z115462 -UN-01JAN94

MUFFLER, EXHAUST EJECTOR AND PIPE



Z115462

1E19

FUEL AND AIR INTAKE SYSTEM

MUFFLER, EXHAUST EJECTOR AND PIPE - CONTINUED

KEY	PART NO.	PART NAME	QTY	SERIAL NO.	4 4 4 3 4 5 3 H 5 Y	REMARKS
1	19H1849	CAP SCREW	2		X X	5/16" X 1-1/4"
2	AT32239	HALF CLAMP	2		X X	
3	R31142	SEALING WASHER	1		X X	
4	AZ22733	ABSORBER	1		X X	
5	12M7008	LOCK WASHER	4		X X	8.100 MM
6	14M7029	NUT	4		X X	M8
7	AZ26097	MUFFLER	1		X X	
8	AZ42005	EXHAUST PIPE	1		X	
	AZ42005	EXHAUST PIPE	1	-056129	X	
	AZ30768	EXHAUST PIPE	1	056130-	X	
9	Z21160	CLAMP	2		X X	
10	Z44802	HOSE	1		X X	(SUB Z46136)
	Z46136	HOSE	1		X X	
11	AZ36773	EXHAUST PIPE	1		X X	
12	24M7055	WASHER	2		X X	8.400 X 16 X 1.600 MM
13	Z48030	SUPPORT	1		X X	

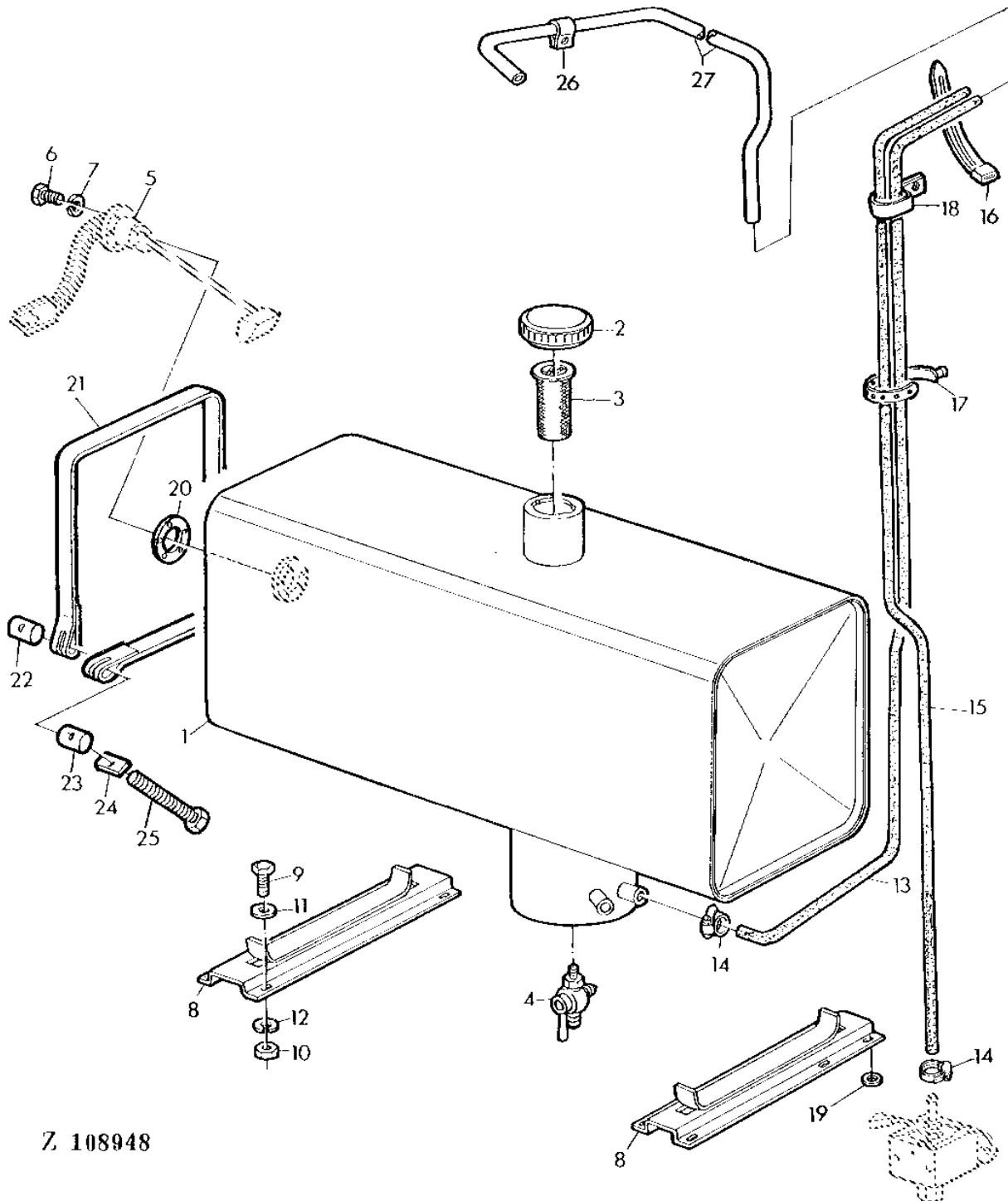
1E20

FUEL AND AIR INTAKE SYSTEM

Z108948

-UN-01JAN94

FUEL TANK



Z 108948

1E21

FUEL AND AIR INTAKE SYSTEM

FUEL TANK - CONTINUED

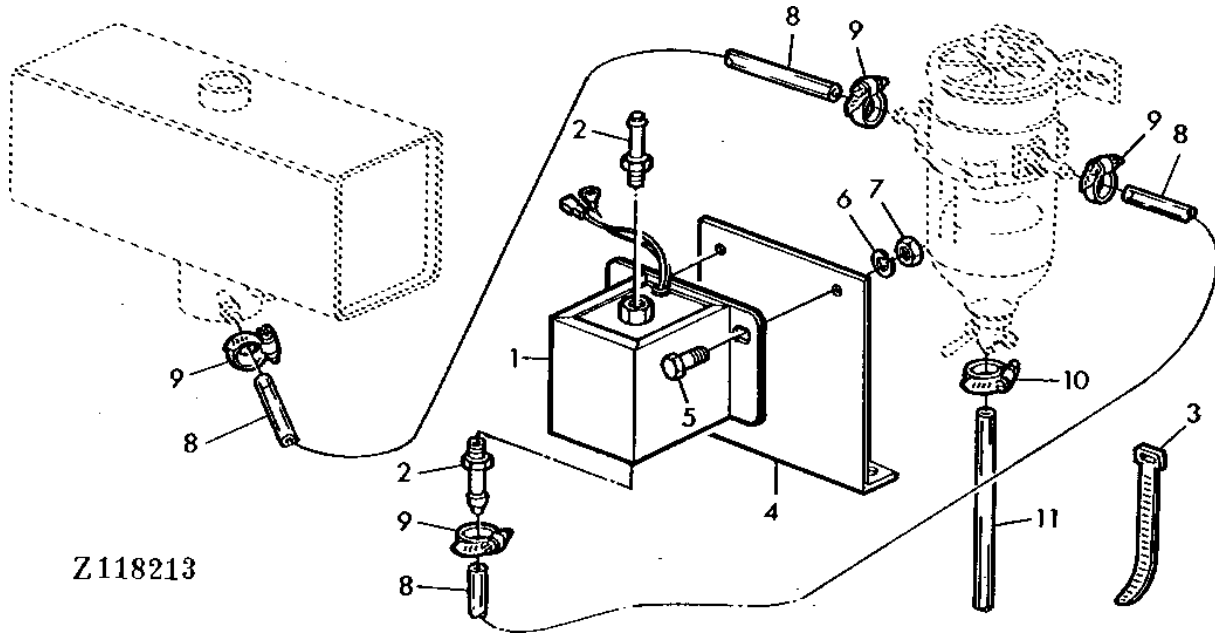
KEY	PART NO.	PART NAME	QTY	SERIAL NO.	4 4 4 3 4 5 3 H 5 Y	REMARKS
1	AZ25904	FUEL TANK	1		X X	INCL. KEY 2
2	99M7013	FILLER CAP	1		X X	
3	AZ32294	STRAINER	1		X X	
4	AZ23843	SHUT-OFF VALVE	1		X X	
5	FLOAT	1		X X	SEE SECTION 040
6	19M7640	CAP SCREW	AR		X X	M5 X 12
7	12M7011	LOCK WASHER	AR		X X	5.100 MM
8	AZ24546	HOLDER	2		X X	
9	19M7288	CAP SCREW	AR		X X	M8 X 30
10	14M7029	NUT	AR		X X	M8
11	24M7036	WASHER	AR		X X	9 X 16 X 1.600 MM
12	12M7008	LOCK WASHER	AR		X X	8.100 MM
13	Z37619	HOSE	1		X X	(SUB FOR Z36819)
14	Z22560	CLAMP	2		X X	
15	Z36930	HOSE	1		X X	(SUB FOR Z36834)
16	Z31799	CLAMP	1		X X	
17	Z31020	CLAMP	1		X X	
18	Z21993	CLAMP	2		X X	
19	24M7024	WASHER	AR		X X	9 X 28 X 3 MM
20	L29265	GASKET	1		X X	
21	Z35592	BAND	2		X X	
22	Z21661	PIN	2		X X	
23	Z21660	PIN	2		X X	
24	Z21659	WASHER	2		X X	
25	19M7385	CAP SCREW	2		X X	M10 X 70
26	Z22561	CLAMP	1		X X	
27	AZ21032	FUEL LINE	AR		X X	

1E22

FUEL AND AIR INTAKE SYSTEM

Z118213 -UN-01JAN94

ELECTRICAL FUEL TRANSFER PUMP



Z 118213

KEY	PART NO.	PART NAME	QTY	SERIAL NO.	REMARKS
				4	
				4	
				4 3	
				4 5	
				3 H	
				5 Y	
1	AH130127	PUMP	1	X X	
2	Z36815	SPACER	2	X X	
3	Z31799	CLAMP	1	X X	
4	Z44276	RETAINER	1	X X	
5	19M7159	CAP SCREW	AR	X X	M6 X 15
6	12M7012	LOCK WASHER	AR	X X	6.100 MM
7	14M7027	NUT	AR	X X	M6
8	Z44278	HOSE	2	X X	
9	Z22560	CLAMP	4	X X	
10	Z40671	CLAMP	1	X X	
11	Z44493	HOSE	1	X X	

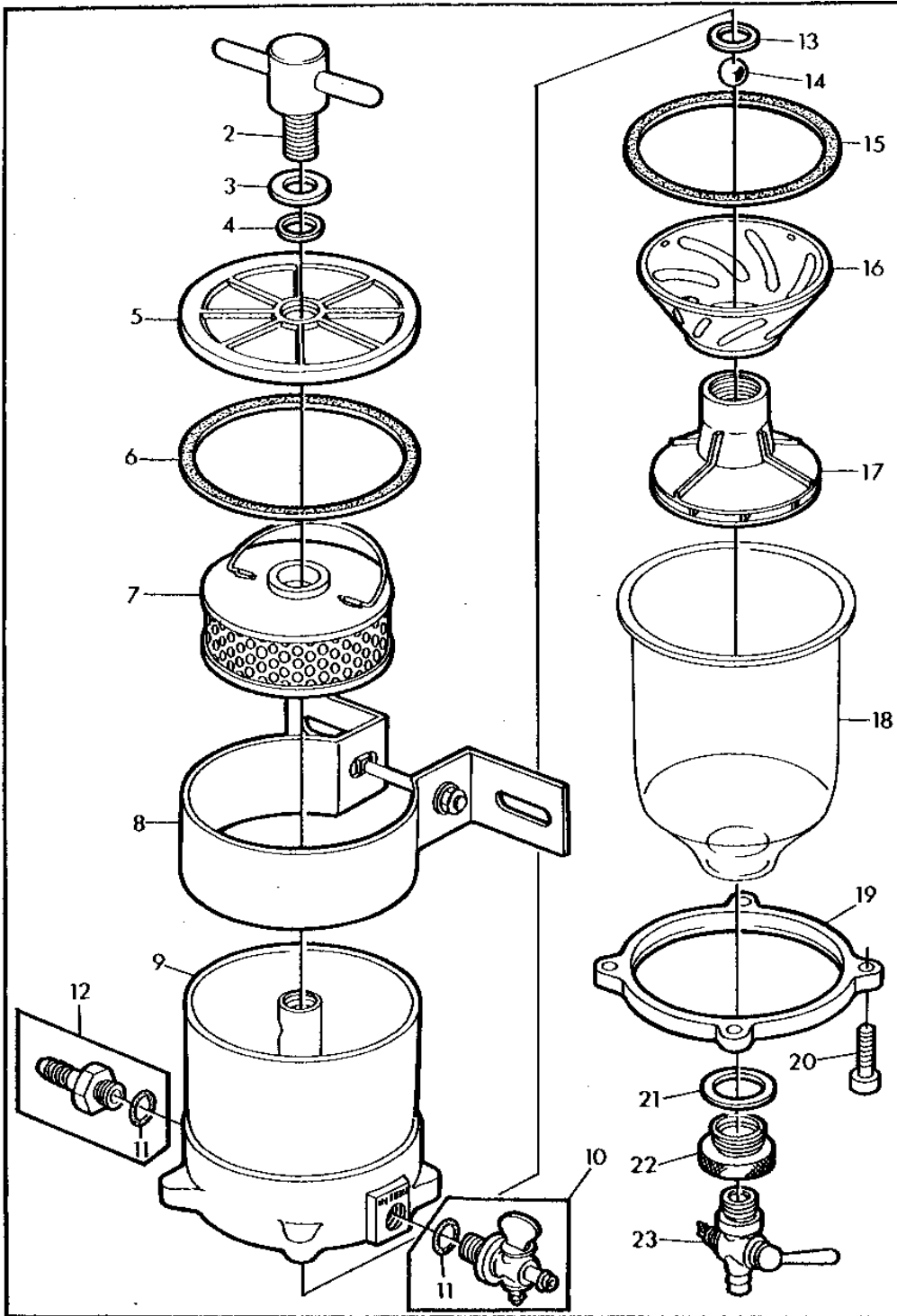
MEMORANDA

1E23

FUEL AND AIR INTAKE SYSTEM

Z107723 -UN-01JAN94

FUEL PRE-FILTER



Z 107723

1E24

FUEL AND AIR INTAKE SYSTEM

FUEL PRE-FILTER - CONTINUED

KEY	PART NO.	PART NAME	QTY	SERIAL NO.	4 4 4 3 4 5 3 H 5 Y	REMARKS
1	AZ34513	FUEL FILTER	1		X X	(INCLUDE AZ34556 AND AZ35443)
2	BOLT	1		X X	NOT SUPPLIED SEPARATELY
3	WASHER	1		X X	KIT AZ34556
4	GASKET	1		X X	KIT AZ34556
5	COVER	1		X X	KIT AZ35443
6	GASKET	1		X X	KIT AZ34556
7	AZ34554	FILTER ELEMENT	1		X X	
8	AZ35442	CLAMP	1		X X	KIT
9	HOUSING	1		X X	KIT AZ35443
10	AZ34512	SHUT-OFF VALVE	1		X X	
11	H65169	O-RING	2		X X	
12	Z44275	HOSE FITTING	1		X X	
13	GASKET	1		X X	KIT AZ35443
14	BALL	1		X X	KIT AZ35443
15	GASKET	1		X X	KIT AZ34556
16	INSERT	1		X X	KIT AZ35443
17	INSERT	1		X X	KIT AZ35443
18	Z44888	BOWL	1		X X	
19	RETAINER	1		X X	KIT AZ35443
20	BOLT	1		X X	NOT SUPPLIED SEPARATELY
21	GASKET	1		X X	KIT AZ34556
22	Z44889	SCREW	1		X X	
23	AZ34555	DRAIN VALVE	1		X X	

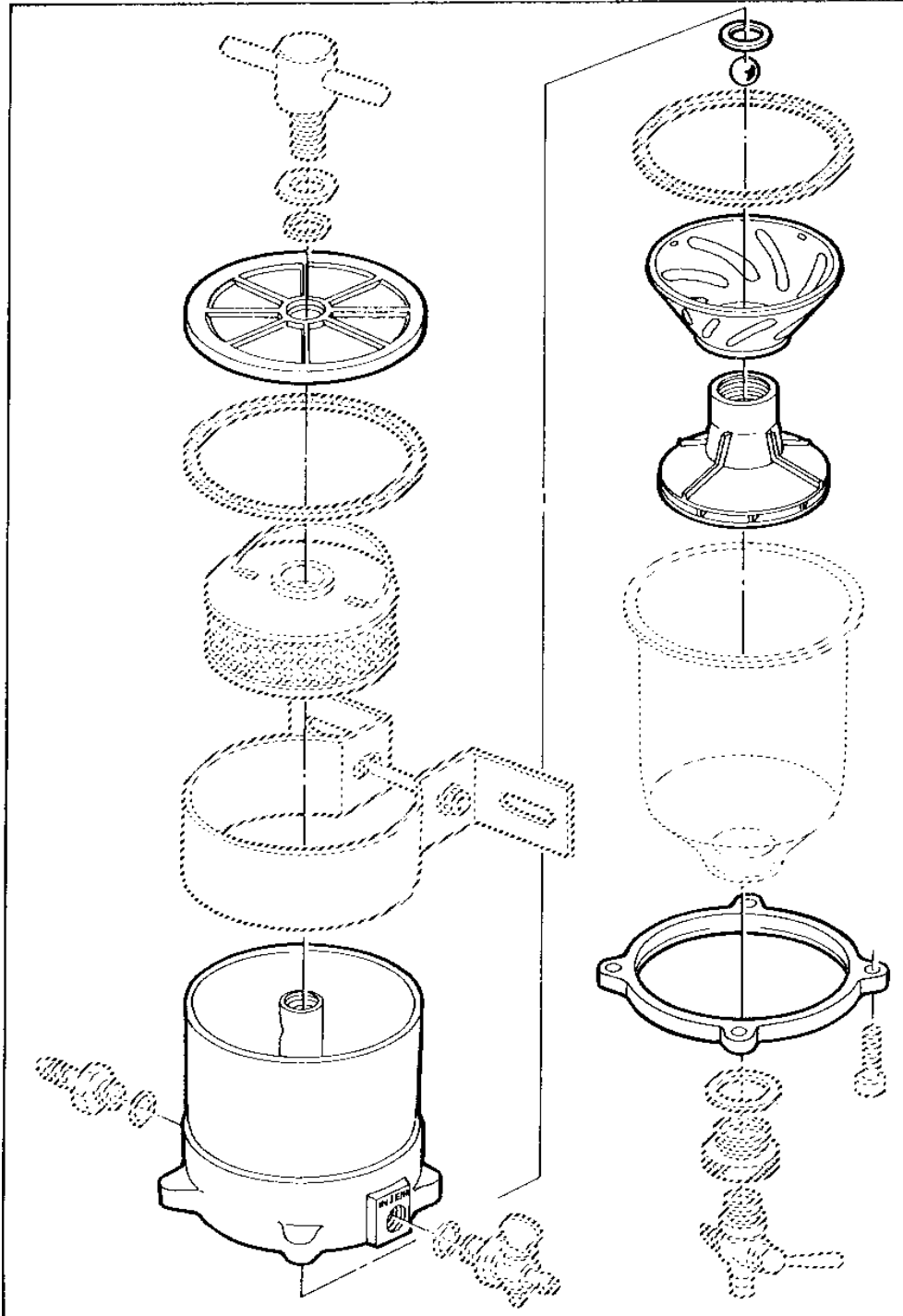
1F1

FUEL AND AIR INTAKE SYSTEM

Z115464

-UN-01JAN94

REPAIR-SET FOR FUEL PRE-FILTER



Z115464

1F2

FUEL AND AIR INTAKE SYSTEM

REPAIR-SET FOR FUEL PRE-FILTER - CONTINUED

KEY	PART NO.	PART NAME	QTY	SERIAL NO.	REMARKS
1	AZ35443	KIT	1	X X	

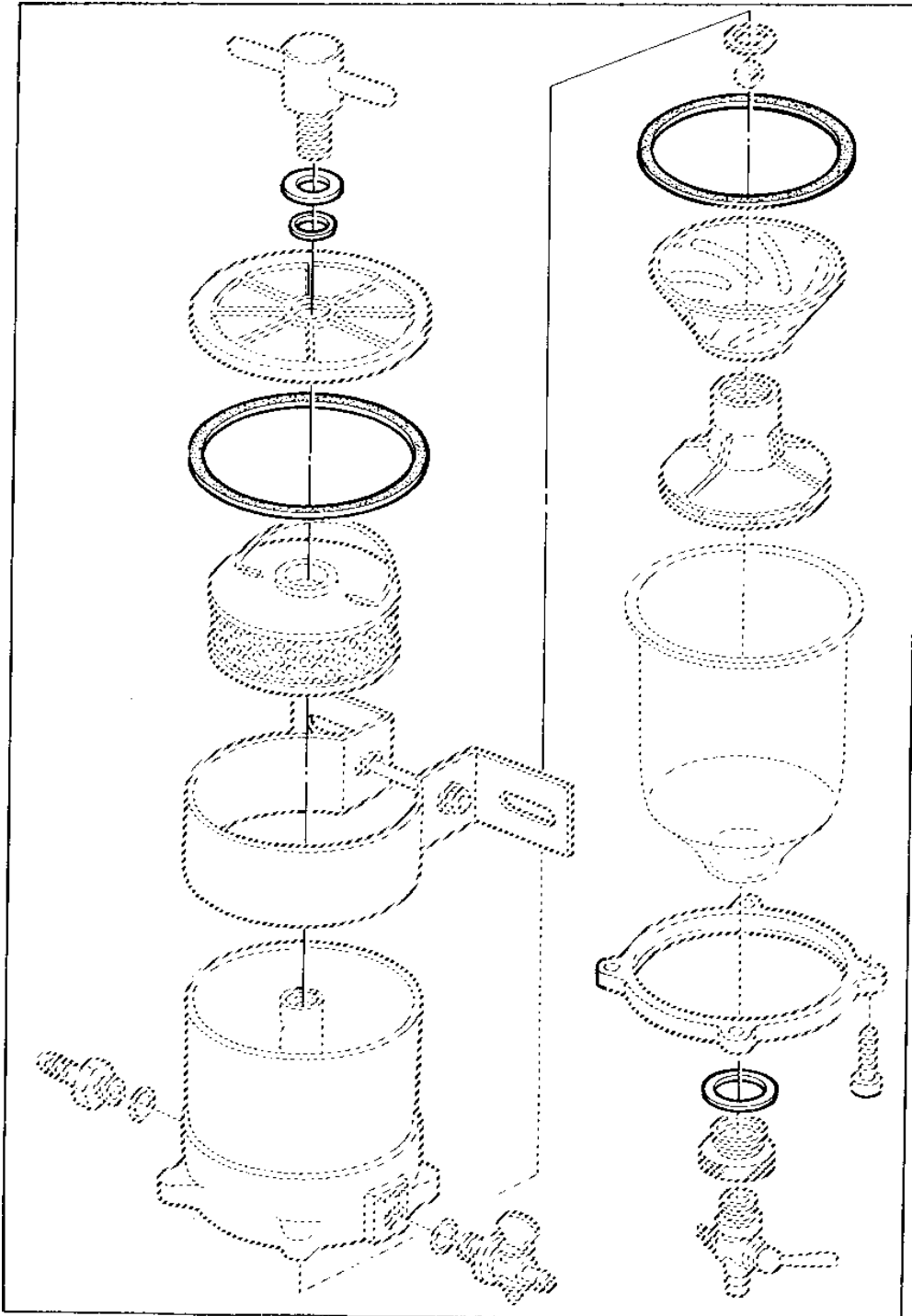
4
4
4 3
4 5
3 H
5 Y

1F3

FUEL AND AIR INTAKE SYSTEM

Z115463 -UN-01JAN94

GASKET-SET FOR FUEL PRE-FILTER



Z115463

1F4

FUEL AND AIR INTAKE SYSTEM

GASKET-SET FOR FUEL PRE-FILTER - CONTINUED

KEY	PART NO.	PART NAME	QTY	SERIAL NO.	REMARKS
1	AZ34556	GASKET KIT	1	X X	

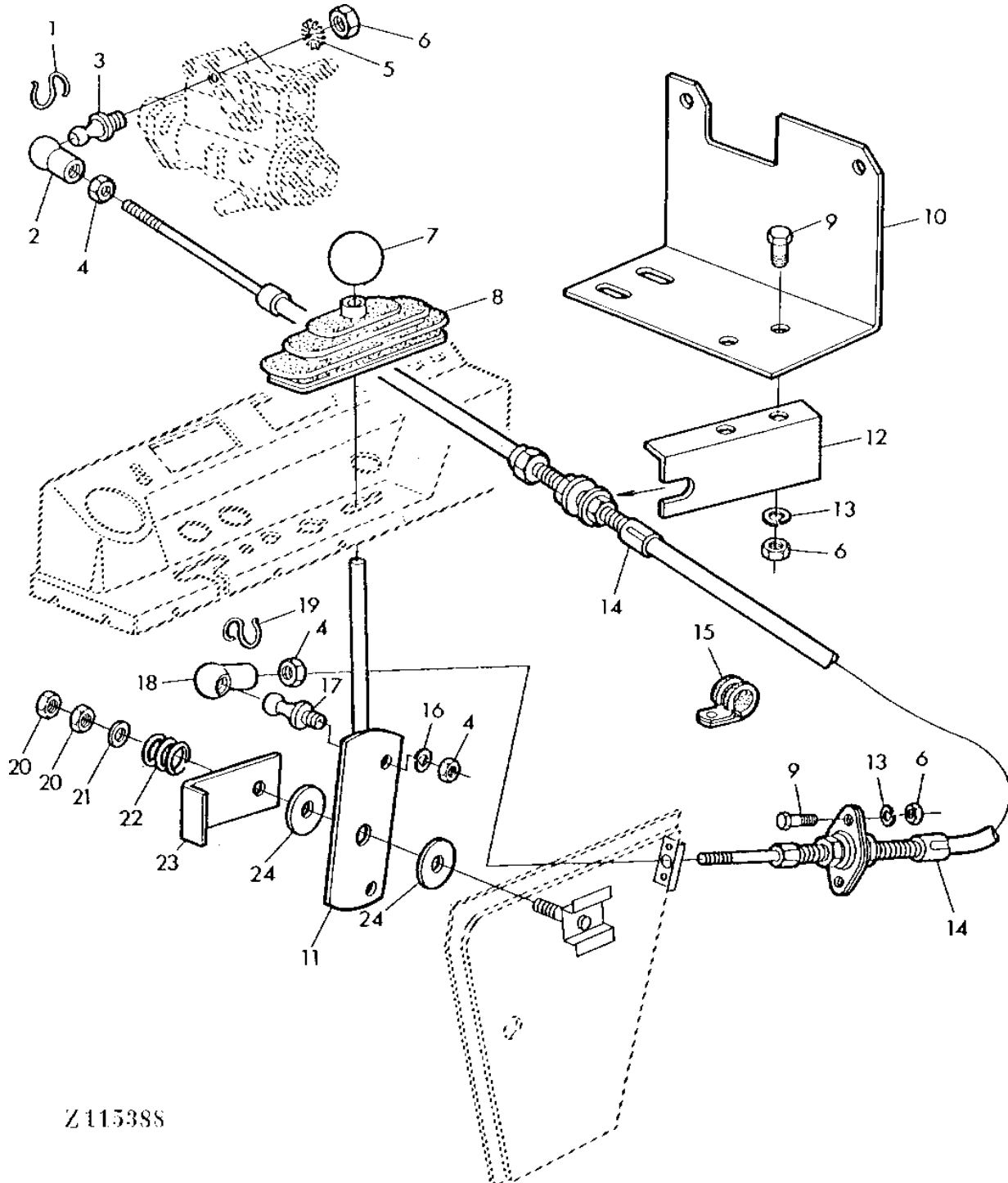
4
4
4 3
4 5
3 H
5 Y

1F5

FUEL AND AIR INTAKE SYSTEM

Z115388 -UN-01JAN94

THROTTLE LINKAGE



Z115388

1F6

FUEL AND AIR INTAKE SYSTEM

THROTTLE LINKAGE - CONTINUED

KEY	PART NO.	PART NAME	QTY	SERIAL NO.	4 4 4 3 4 5 3 H 5 Y	REMARKS
1	56M7005	BALL JOINT RETAINER	1		X X	S10
2	AZ23653	BALL JOINT SOCKET	1		X X	
3	55M4430	BALL STUD	1		X X	A10
4	14M7028	NUT	3		X X	M5
5	12M7062	LOCK WASHER	1		X X	6.400 MM
6	14M7027	NUT	5		X X	M6
7	AZ35052	KNOB	1		X X	
8	Z44660	BOOT	1		X X	
9	19M7375	CAP SCREW	4		X X	M6 X 18
10	Z34801	HOLDER	1		X X	
11	AZ35054	LEVER	1		X X	
12	Z34800	HOLDER	1		X X	
13	12M7012	LOCK WASHER	4		X X	6.100 MM
14	AZ35056	PUSH PULL CABLE	1		X X	
15	Z34587	CLAMP	2		X X	
16	12M7011	LOCK WASHER	1		X X	5.100 MM
17	55M7003	BALL STUD	1		X X	A8
18	56M5259	BALL JOINT SOCKET	1		X X	B8
19	56M5258	BALL JOINT RETAINER	1		X X	S8
20	14M7154	NUT	2		X X	M12
21	24M7047	WASHER	1		X X	13 X 24 X 2.500 MM
22	M4141T	SPRING	1		X X	
23	Z46350	RETAINER	1		X X	
24	H78110	WASHER	2		X X	

MEMORANDA

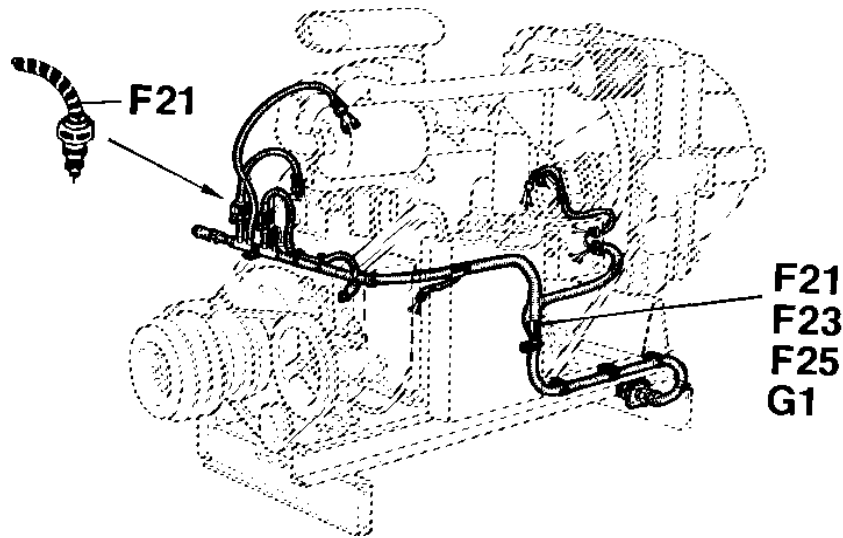
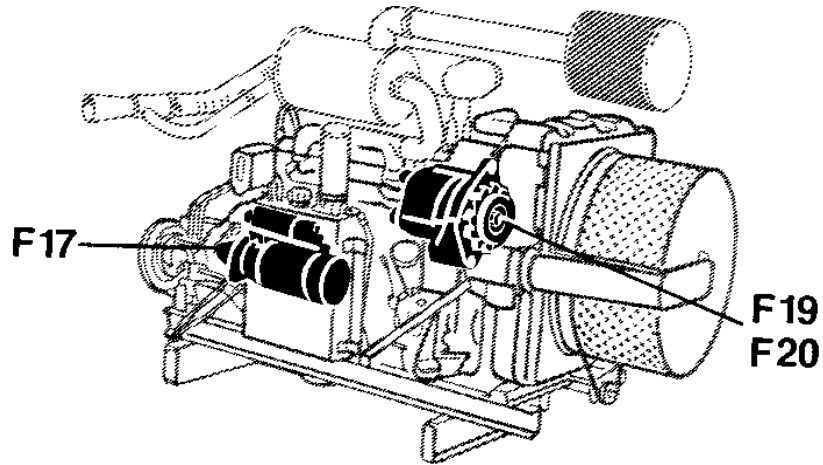
1F9

ELECTRICAL SYSTEM

SECTIONAL PICTORIAL INDEX

XX
XX
XX
XX
XX

ZX003357 -UN-01JAN94



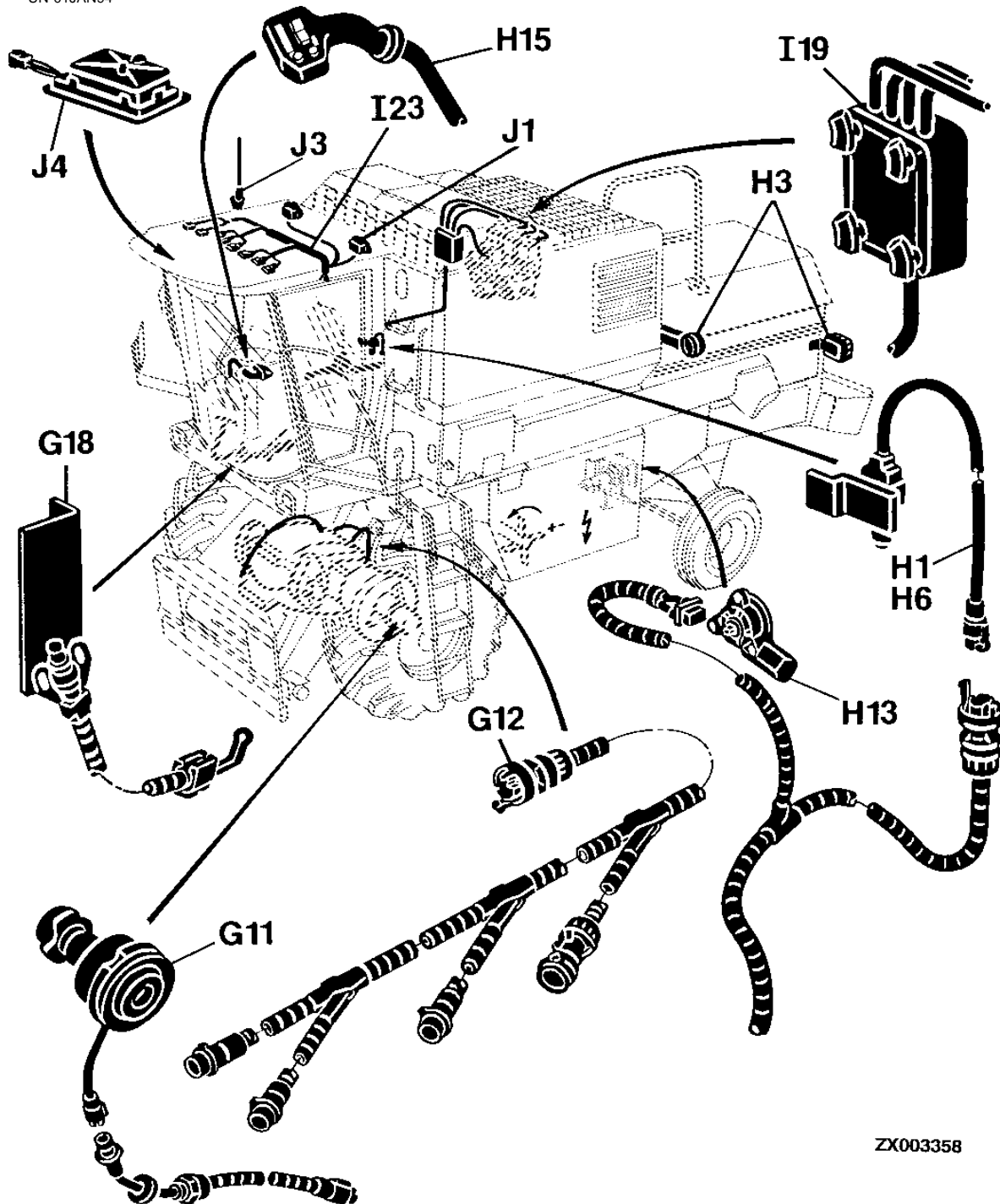
ZX003357

1F10

SECTIONAL PICTORIAL INDEX

XX
 XXX
 XXX
 XXX
 XXX

ZX003358 -UN-01JAN94



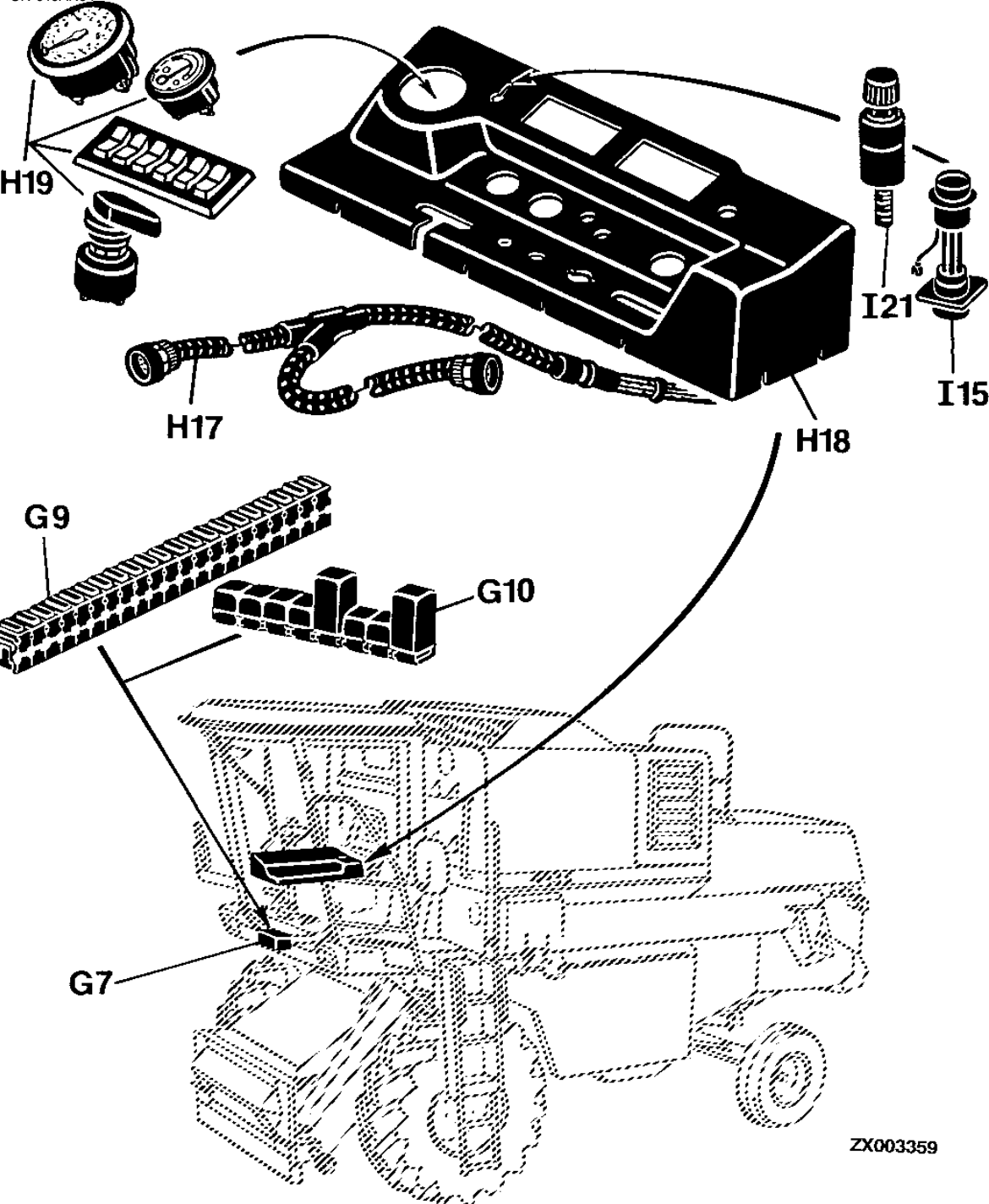
ZX003358

1F11

SECTIONAL PICTORIAL INDEX

XX
XX
XX
XX

ZX003359 -UN-01JAN94



ZX003359

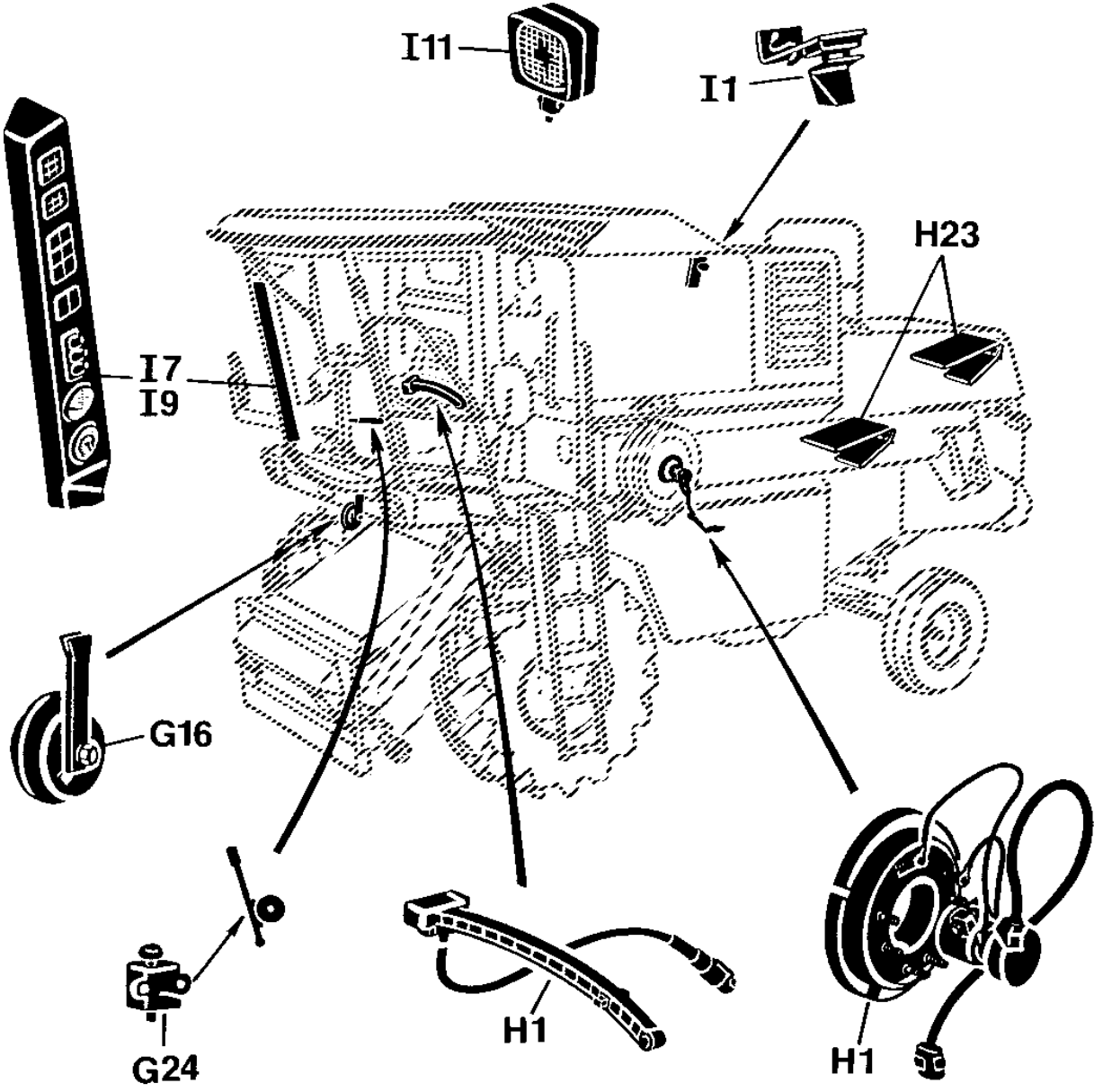
1F13

ELECTRICAL SYSTEM

SECTIONAL PICTORIAL INDEX

XX
XX
XX
XX
XX

ZX003361 -UN-01JAN94



ZX003361

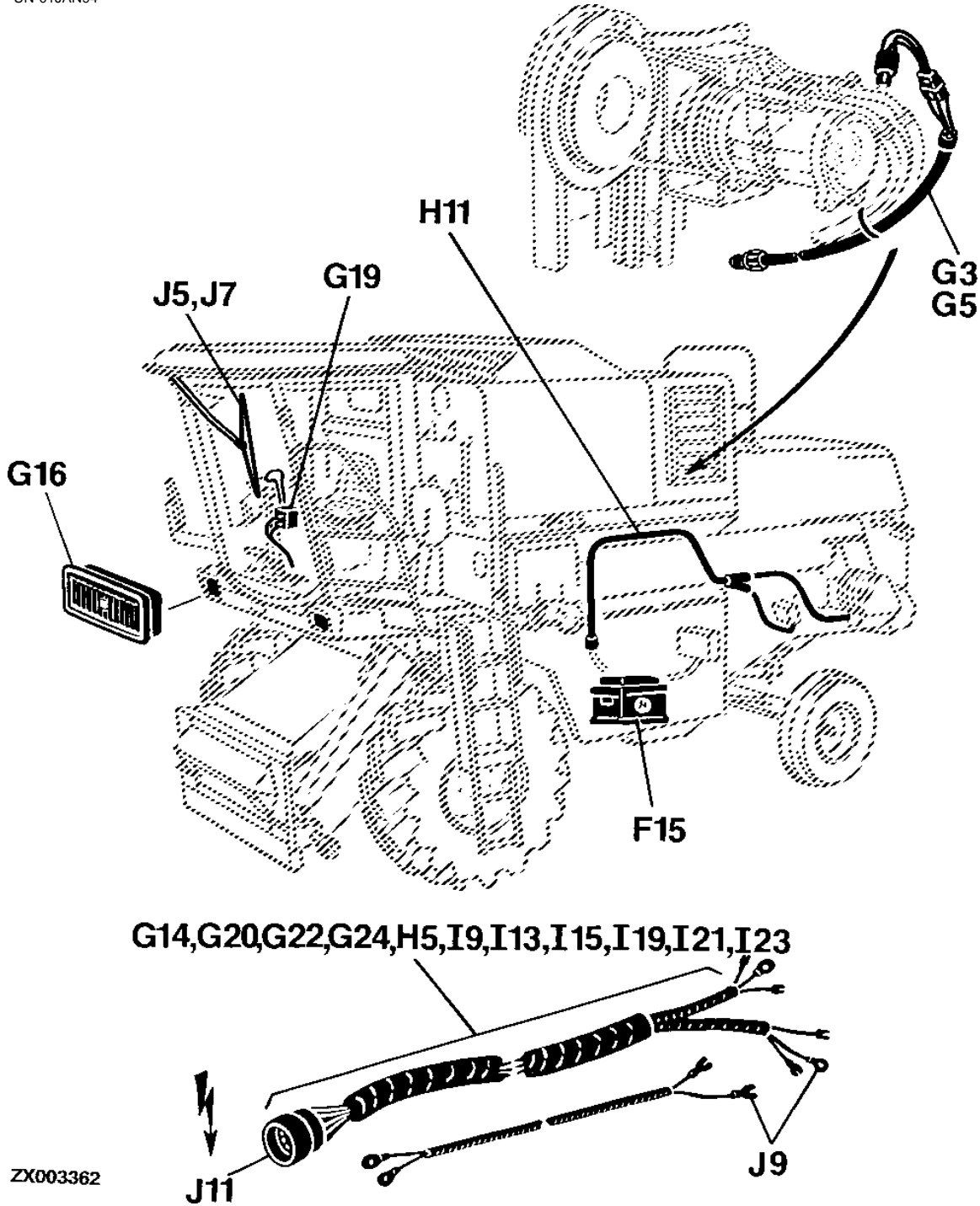
1F14

ELECTRICAL SYSTEM

SECTIONAL PICTORIAL INDEX

XX
XX
XX
XX
XX

ZX003362 -UN-01JAN94



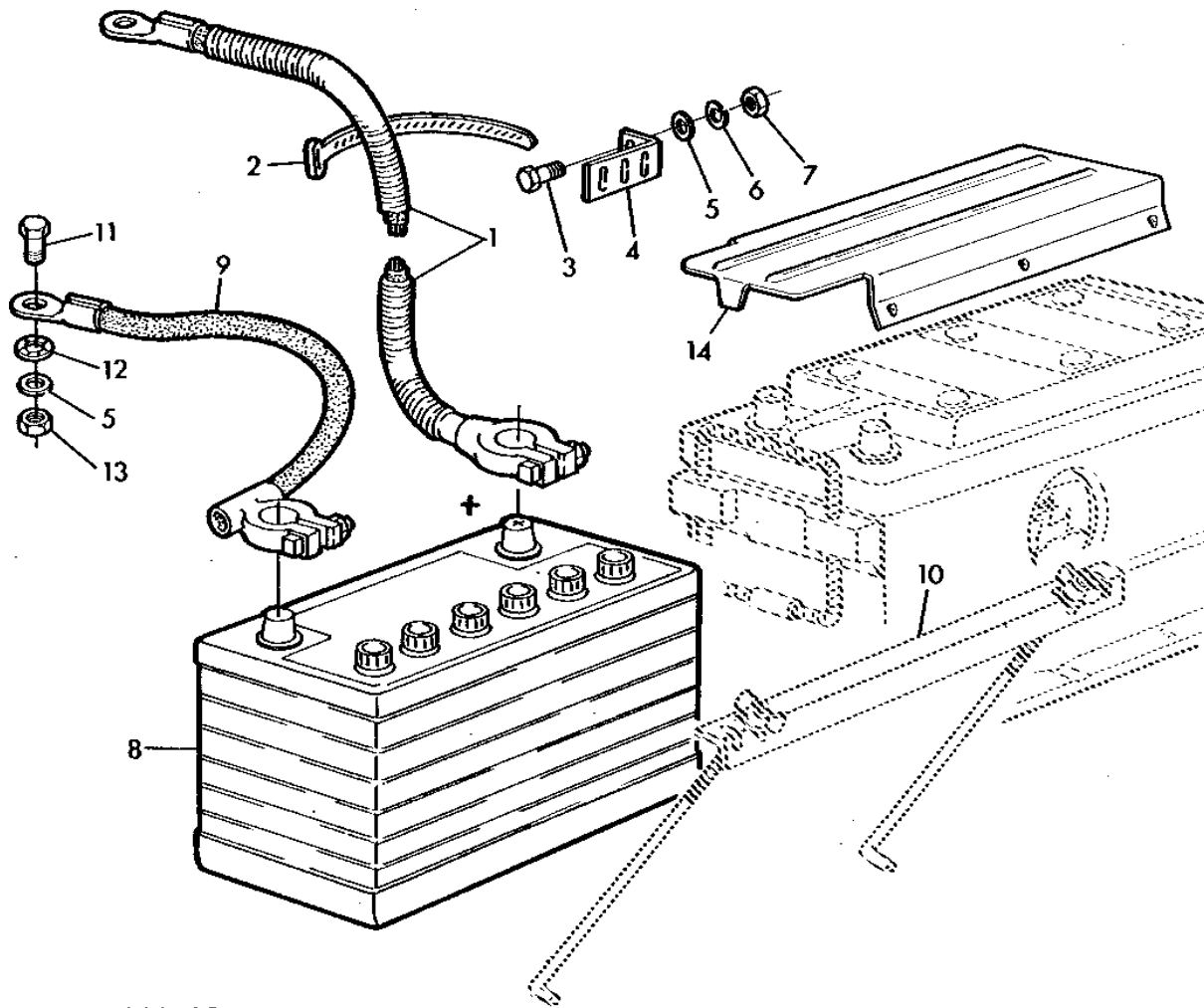
MEMORANDA

1F15

ELECTRICAL SYSTEM

Z111408 -UN-01JAN94

BATTERY AND CABLES



Z111408

1F16

ELECTRICAL SYSTEM

BATTERY AND CABLES - CONTINUED

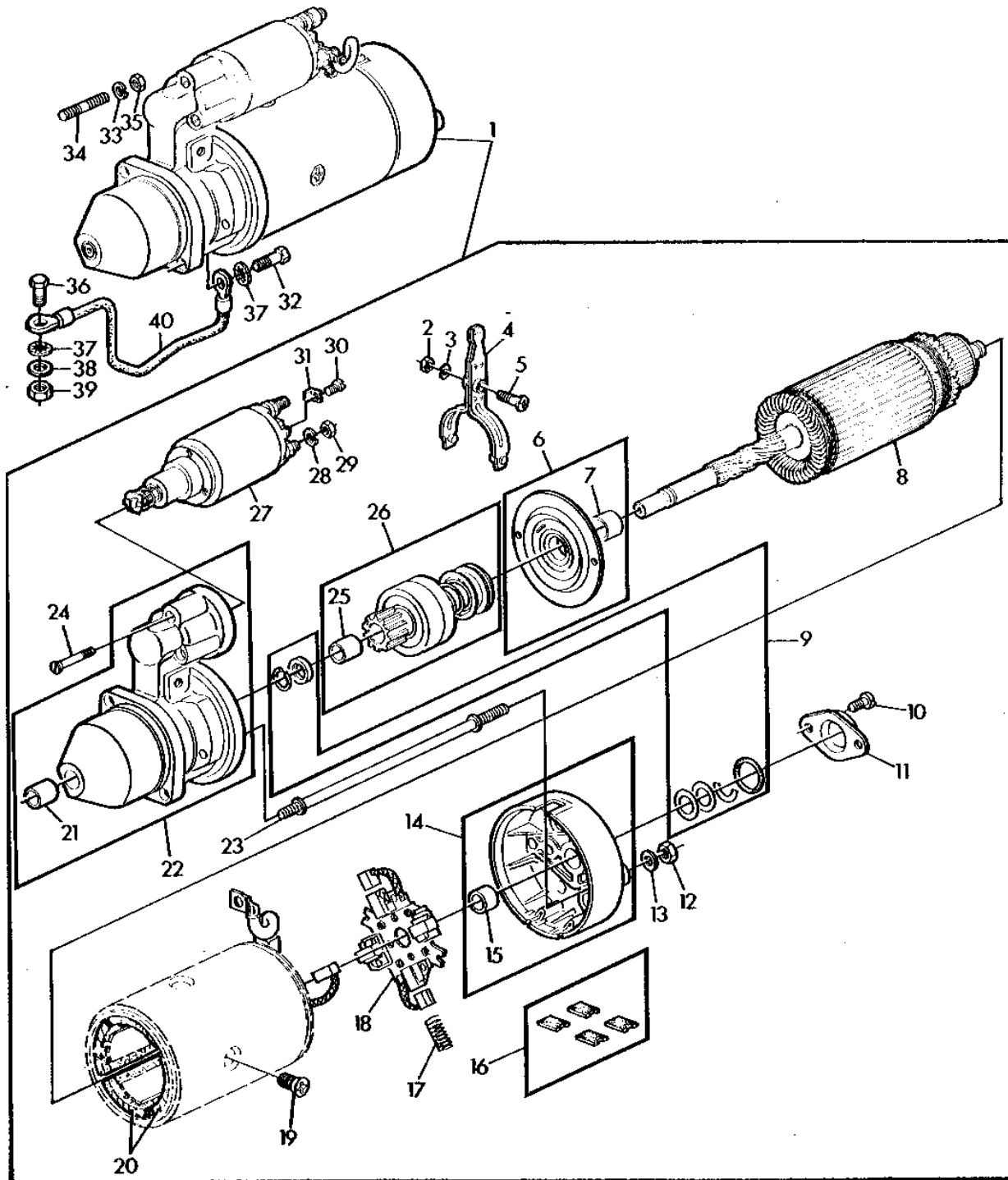
KEY	PART NO.	PART NAME	QTY	SERIAL NO.	4 4 4 3 4 5 3 H 5 Y	REMARKS
1	AZ35560	POWER CORD	1		X X	
2	R44302	TIE BAND	3		X X	
3	19M7139	CAP SCREW	3		X X	M8 X 20
4	Z42773	LOOM	3		X X	
5	24M7036	WASHER	4		X X	9 X 16 X 1.600 MM
6	12M7008	LOCK WASHER	3		X X	8.100 MM
7	14M7029	NUT	3		X X	M8
8	AL66622	BATTERY	1		X X	12V 88AH
9	AZ37147	GROUND CABLE	1		X X	
10	ANGLE	1		X X	SEE SECTION 080
11	19M7163	CAP SCREW	1		X X	M8 X 25
12	12M7113	LOCK WASHER	1		X X	10.500 MM
13	14M7014	NUT	1		X X	M8
14	Z41858	COVER	1		X X	

1F17

ELECTRICAL SYSTEM

Z109006 -UN-01JAN94

STARTING MOTOR



Z 109006

1F18

ELECTRICAL SYSTEM

STARTING MOTOR - CONTINUED

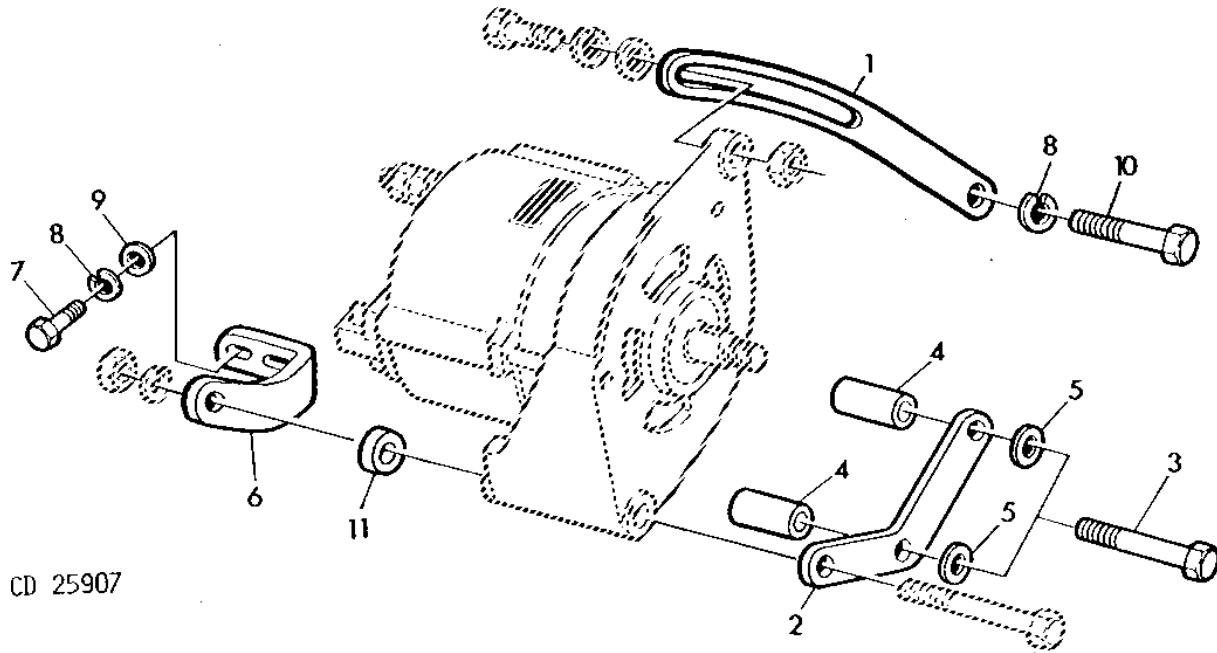
KEY	PART NO.	PART NAME	QTY	SERIAL NO.	4 4 4 3 4 5 3 H 5 Y	REMARKS
1	AL62690	STARTER	1		X X	R.BOSCH-0 001 362 312
2	14M7151	NUT	1		X X	M8
3	12M7008	LOCK WASHER	1		X X	8.100 MM
4	AL25273	LEVER	1		X X	
5	L41582	SCREW	1		X X	
6	AL25267	QUILL	1		X X	
7	L30862	BUSHING	1		X X	
8	AL55042	ARMATURE	1		X X	
9	AL41522	KIT	1		X X	
10	21M7271	SCREW	2		X X	M5 X 16
11	L42043	CAP	1		X X	
12	14M7272	NUT	2		X X	M6
13	24M7054	WASHER	2		X X	6.400 X 12 X 1.600 MM
14	AL41520	COMMUTATOR HOUSING	1		X X	
15	L41081	BUSHING	1		X X	
16	AL55047	CARBON BRUSH CONDUCTOR	1		X X	
17	L55066	COMPRESSION SPRING	4		X X	
18	AL55044	CARBON BRUSH HOLDER	1		X X	
19	L29157	SCREW	4		X X	
20	AL55043	FIELD WINDING COIL	1		X X	
21	L19651	BUSHING	1		X X	
22	AL41525	HOUSING	1		X X	
23	L55064	STUD	2		X X	
24	L30860	SCREW	3		X X	
25	Z24800	BUSHING	1		X X	
26	AL63095	BENDIX DRIVE	1		X X	
27	AL55046	SOLENOID	1		X X	
28	12M7013	LOCK WASHER	2		X X	10.200 MM
29	14M7152	NUT	2		X X	M10
30	21M1211	SCREW	1		X X	M4 X 6
31	L29156	CLAMP	1		X X	
32	19H1731	CAP SCREW	1		X X	3/8" X 1"
33	12H304	LOCK WASHER	1		X X	3/8"
34	M3636T	STUD	1		X X	
35	14H812	NUT	1		X X	3/8"
36	19M7163	CAP SCREW	1		X X	M8 X 25
37	12M7113	LOCK WASHER	2		X X	10.500 MM
38	24M7036	WASHER	1		X X	9 X 16 X 1.600 MM
39	14M7014	NUT	1		X X	M8
40	AZ25669	CABLE	1		X X	

1F19

ELECTRICAL SYSTEM

CD25907 -UN-01JAN94

ALTERNATOR ATTACHING PARTS



CD 25907

4
4
4 3
4 5
3 H
5 Y

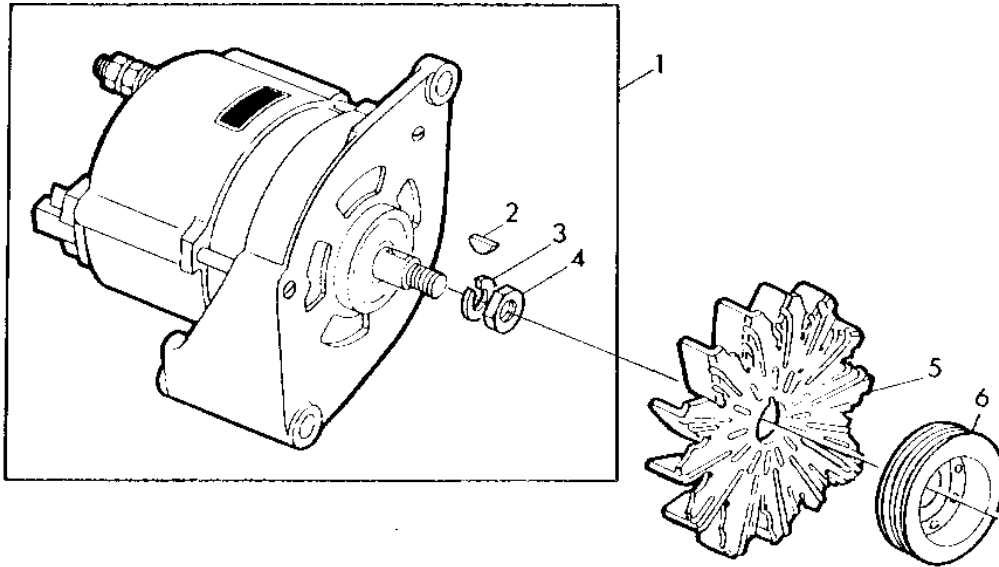
KEY	PART NO.	PART NAME	QTY	SERIAL NO.	REMARKS
1	T32853	STRAP	1	X X	
2	R68751	BRACKET	1	X X	
3	19H2128	CAP SCREW	2	X X	3/8" X 3"
4	R64449	BUSHING	2	X X	
5	24H1304	WASHER	2	X X	13/32" X 23/32" X 0.120"
6	R68752	BRACKET	1	X X	
7	19H2284	CAP SCREW	2	X X	3/8" X 7/8"
8	12H304	LOCK WASHER	3	X X	3/8"
9	24H1305	WASHER	2	X X	13/32" X 13/16" X 0.065"
10	19H1726	CAP SCREW	1	X X	3/8" X 2-1/4"
11	CD14689	SPACER	1	X X	

1F20

ELECTRICAL SYSTEM

Z115789 -UN-01JAN94

ALTERNATOR - (95AMP)



Z115789

4
4
4 3
4 5
3 H
5 Y

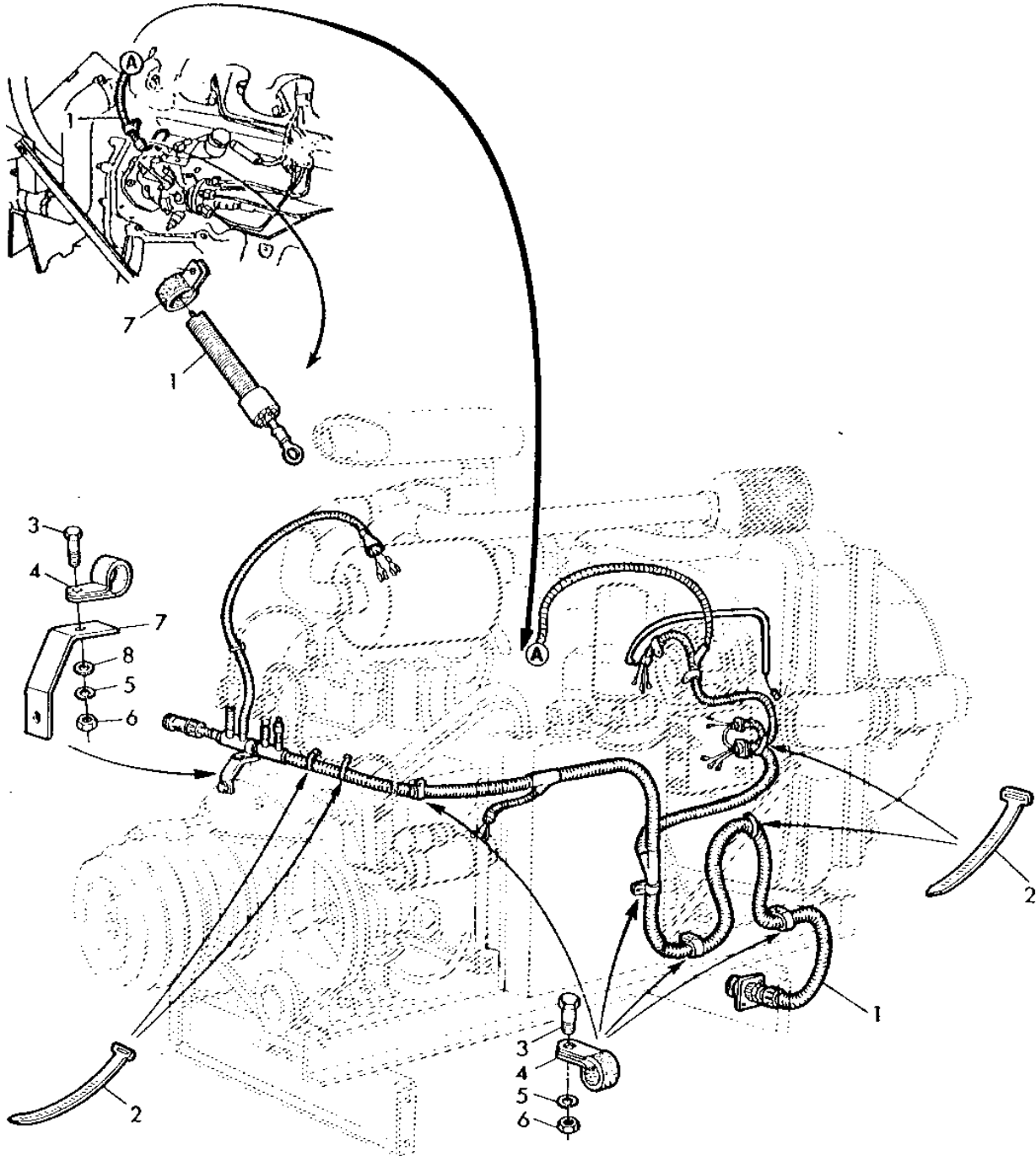
KEY	PART NO.	PART NAME	QTY	SERIAL NO.	REMARKS
1	AZ38462	ALTERNATOR	1	X X	R.BOSCH 14V 95A, A 120 402 566
2	26M4223	SHAFT KEY	1	X X	4 X 5 X 13MM
3	12M7009	LOCK WASHER	1	X X	14MM
4	14M7156	NUT	1	X X	M14
5	L33993	FAN	1	X X	
6	Z10966	PULLEY	1	X X	

1F21

ELECTRICAL SYSTEM

Z115790 -UN-01JAN94

ENGINE WIRING HARNESS



Z115790

1F22

ELECTRICAL SYSTEM

ENGINE WIRING HARNESS-CONTINUED

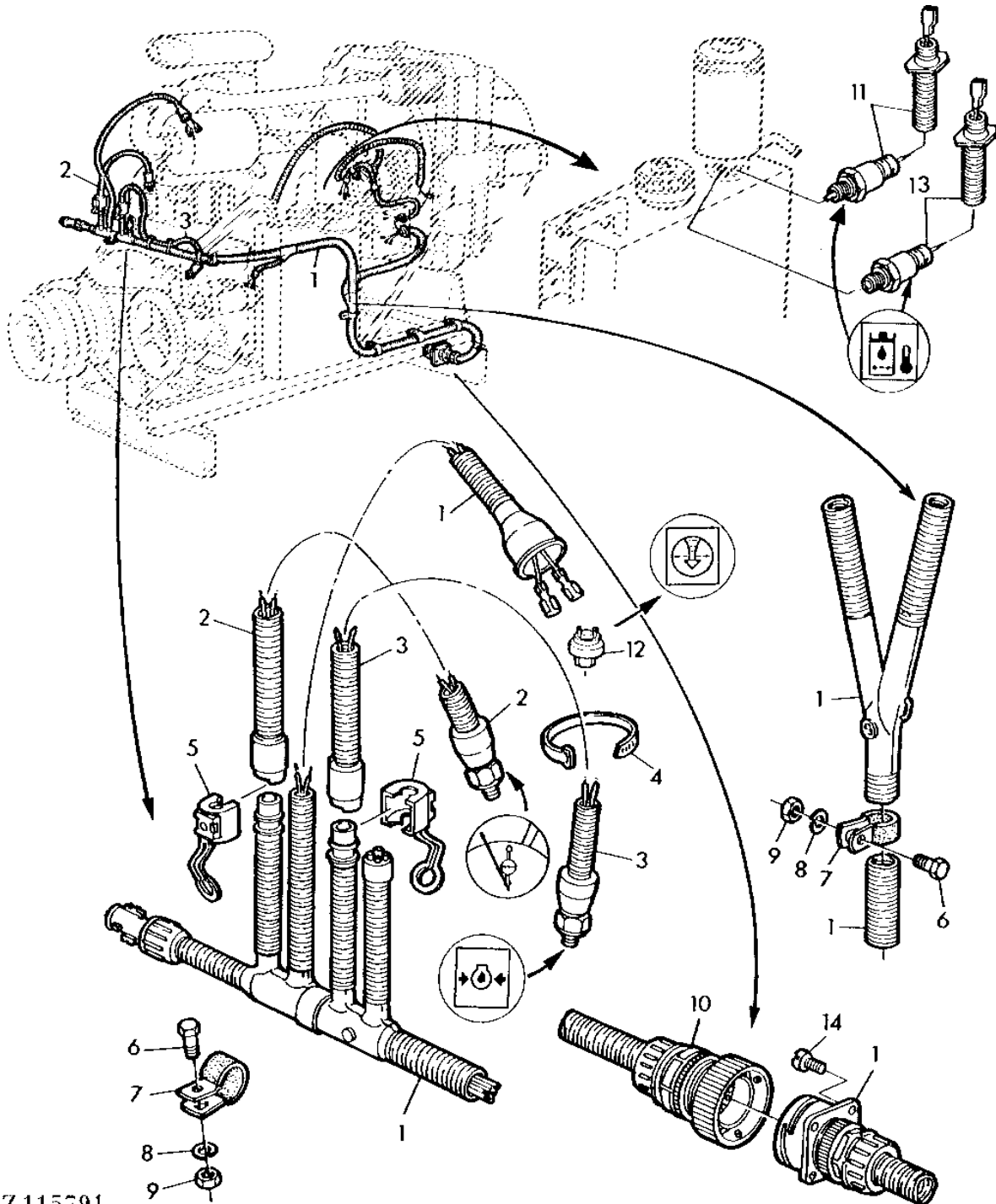
KEY	PART NO.	PART NAME	QTY	SERIAL NO.	4 4 4 3 4 5 3 H 5 Y	REMARKS
1	AZ41329	WIRING HARNESS	1	-052790	X	
	AZ41922	WIRING HARNESS	1	052791-	X X	
2	R44302	TIE BAND	5		X X	
3	19M7139	CAP SCREW	5		X X	M8 X 20
4	R72659	CLAMP	5		X X	
5	12M7008	LOCK WASHER	5		X X	8.100 MM
6	14M7029	NUT	5		X X	M8
7	Z44425	RETAINER	1		X X	
8	24M7039	WASHER	1		X X	9 X 28 X 3 MM

1F23

ELECTRICAL SYSTEM

Z115791 -UN-01JAN94

ELECTRICAL CONNECTIONS ENGINE



Z115791

1F24

ELECTRICAL SYSTEM

ELECTRICAL CONNECTIONS ENGINE - CONTINUED

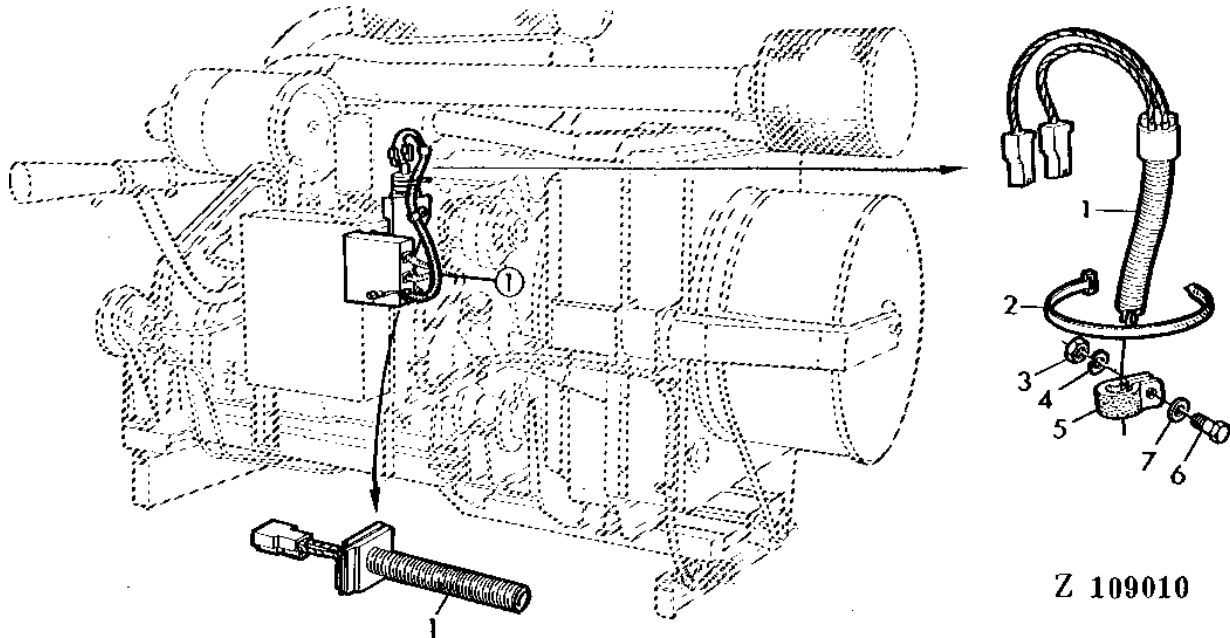
KEY	PART NO.	PART NAME	QTY	SERIAL NO.	4 4 4 3 4 5 3 H 5 Y	REMARKS
1	AZ41329	WIRING HARNESS	1	-052790	X	
	AZ41922	WIRING HARNESS	1	052791-	X X	
2	AZ35441	SENDER	1		X X	(SUB AZ44350)
	AZ44350	SENDER	1		X X	
3	AZ34627	SENDER	1		X X	
4	R44302	TIE BAND	3		X X	
5	Z44598	RETAINER	2		X X	
6	19M7139	CAP SCREW	2		X X	M8 X 20
7	R72659	CLAMP	2		X X	
8	12M7008	LOCK WASHER	2		X X	8.100 MM
9	14M7029	NUT	2		X X	M8
10	AZ41212	WIRING HARNESS	1		X	
	AZ42854	WIRING HARNESS	1		X	(SUB AZ44321)
	AZ44321	WIRING HARNESS	1		X	
11	AZ40325	TEMPERATURE GAUGE	1		X X	(SUB AZ45279)
	AZ45279	TEMPERATURE GAUGE	1		X X	
12	AL32975	TOUCH SWITCH	1		X X	
13	AZ34930	SENDER	1		X X	
14	37M7119	SCREW	4		X X	4,8 X 13MM

1F25

ELECTRICAL SYSTEM

Z109010 -UN-01JAN94

ETHER COLD WEATHER STARTING AID CABLE



Z 109010

4
4
4 3
4 5
3 H
5 Y

KEY	PART NO.	PART NAME	QTY	SERIAL NO.	REMARKS
1	AZ34934	POWER CORD	1		X X
2	R44302	TIE BAND	4		X X
3	14M7027	NUT	1		X X M6
4	12M7012	LOCK WASHER	1		X X 6.100 MM
5	R46415 H75541	CLAMP	1		X (SUB H75541)
6	19M7077	CAP SCREW	1		X X M6 X 20
7	Z26250	WASHER	1		X X

MEMORANDA

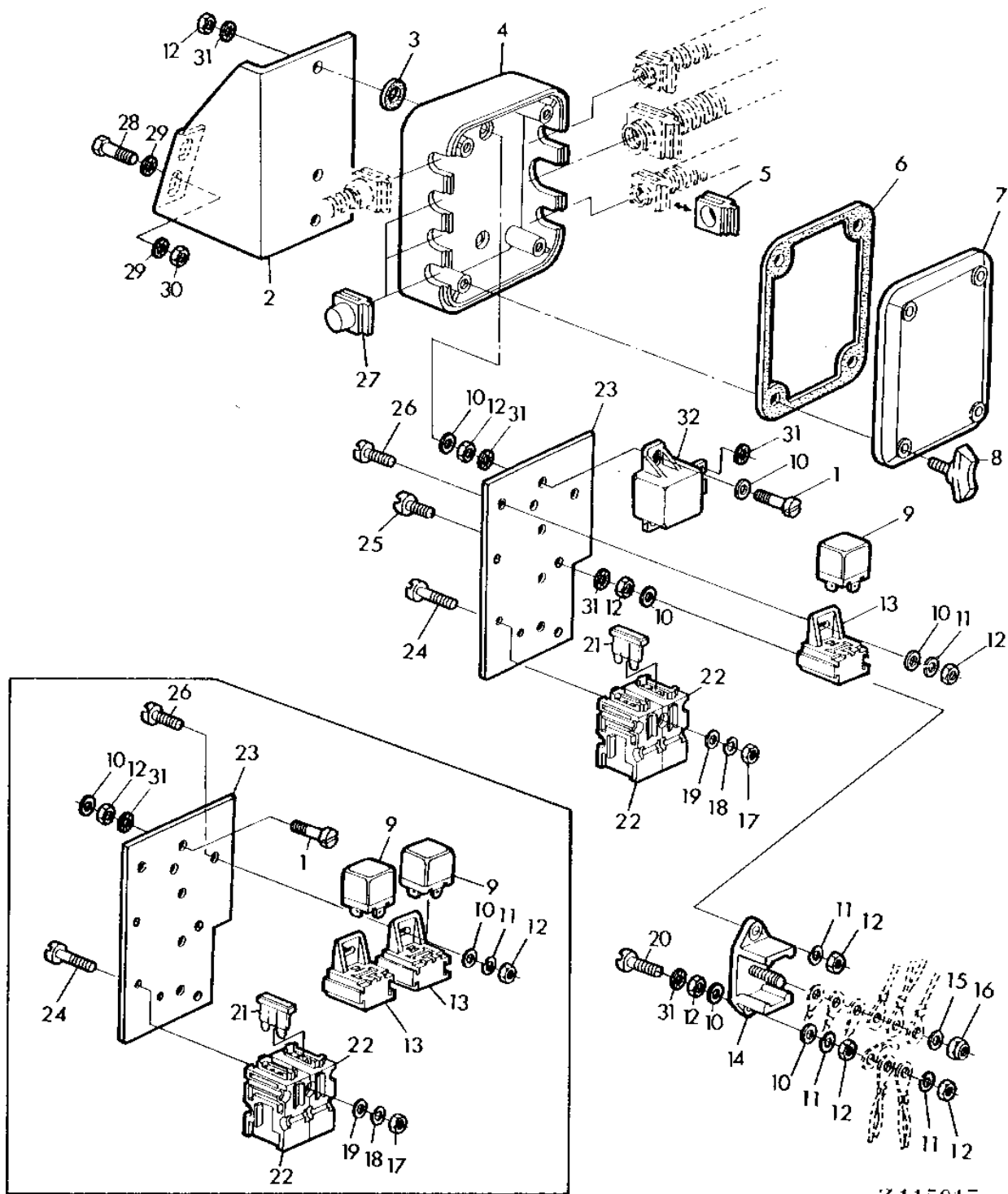
1G1

ELECTRICAL SYSTEM

Z115817

-UN-01JAN94

DISSTRIBUTOR BOX-ENGINE AREA



Z115817

1G2

ELECTRICAL SYSTEM

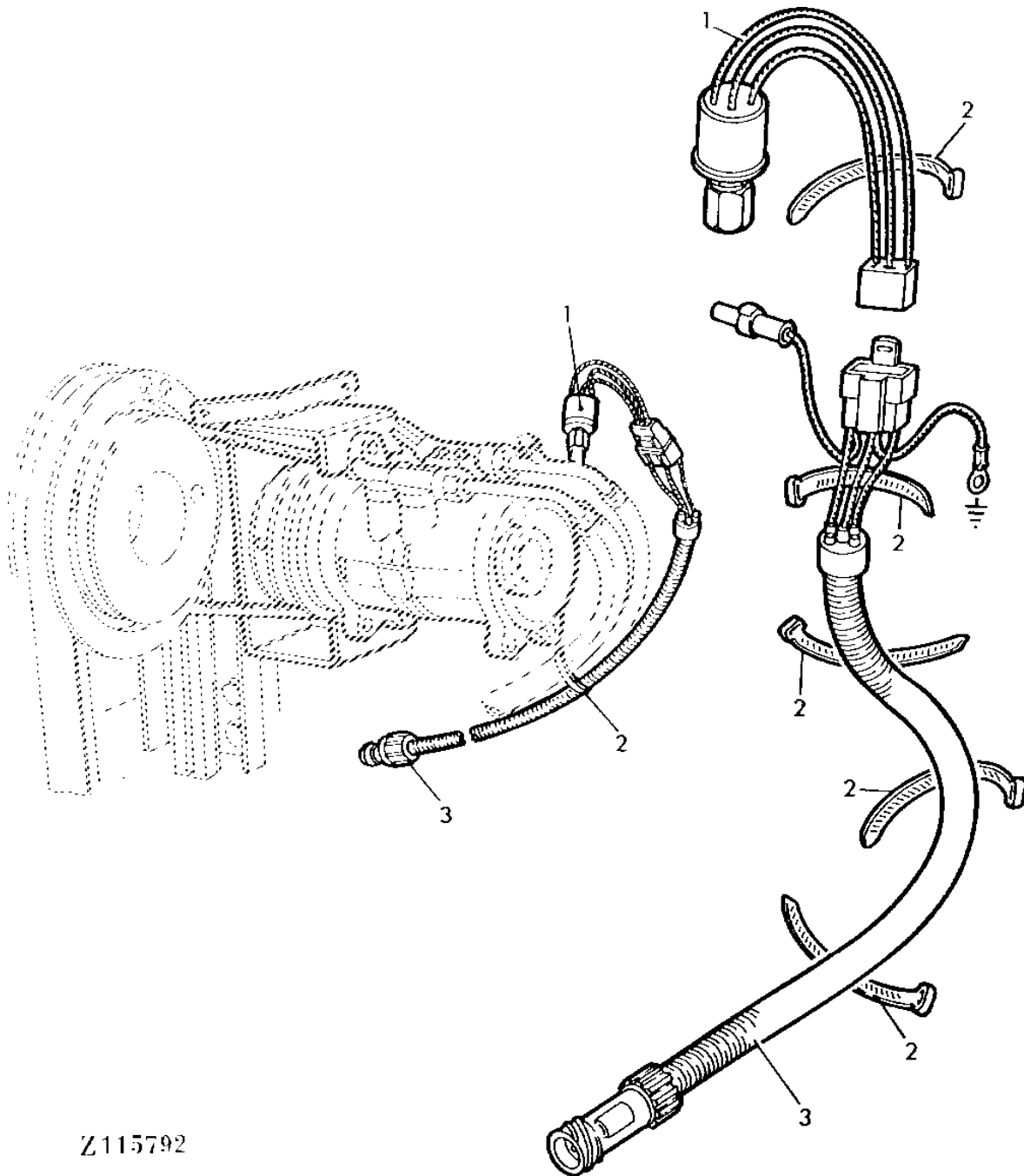
DISTRIBUTOR BOX-ENGINE AREA - CONTINUED

KEY	PART NO.	PART NAME	QTY	SERIAL NO.	4 4 4 3 4 5 3 H 5 Y	REMARKS
1	21M7142	SCREW	2		X X	M5 X 25
2	Z44421	RETAINER	1		X X	
3	Z44062	WASHER	2		X X	
4	Z44527	JUNCTION BLOCK	1		X X	
5	Z44056	GROMMET	1		X X	
6	Z44525	GASKET	1		X X	
7	Z44526	COVER	1		X X	
8	21M7344	SCREW	4		X X	M6 X 25
9	AL58366	RELAY	2	-052790	X X	(SUB AL77324)
	AL77324	RELAY	2	-052790	X X	
	AL58366	RELAY	1	052791-	X X	(SUB AL77324)
	AL77324	RELAY	1	052791-	X X	
10	24M7262	WASHER	6		X X	5.300 X 10 X 1 MM
11	12M7011	LOCK WASHER	4		X X	5.100 MM
12	14M7028	NUT	10		X X	M5
13	AZ26995	HOLDER	2	-052790	X X	
	AZ26995	HOLDER	1	052791-	X X	
14	Z44524	CLAMP	1		X X	
15	24M7055	WASHER	1		X X	8.400 X 16 X 1.600 MM
16	14M7166	LOCK NUT	1		X X	M8
17	14M7030	NUT	1		X X	M3
18	12M7048	LOCK WASHER	1		X X	3.100 MM
19	24M7029	SHIM	1		X X	0.500 MM
20	21M7124	SCREW	1		X X	M5 X 35
21	99M7064	FUSE	1		X X	7,5A
22	Z44339	RECEPTACLE CONNECTOR BODY	2		X X	
23	Z53568	PLATE	1		X X	
24	21M7202	SCREW	1		X X	M3 X 35
25	21M7141	SCREW	1		X X	M5 X 20
26	21M7140	SCREW	2		X X	M5 X 10
27	Z44059	GROMMET	3		X X	
28	19M7139	CAP SCREW	2		X X	M8 X 20
29	Z46976	LOCK WASHER	4		X X	
30	14M7029	NUT	2		X X	M8
31	12M7112	LOCK WASHER	6		X X	5.300 MM
32	AZ41420	RELAY	1	052791-	X X	

1G3

Z115792 -UN-01JAN94

COMPRESSOR CABLES



Z115792

1G4

ELECTRICAL SYSTEM

COMPRESSOR CABLES - CONTINUED

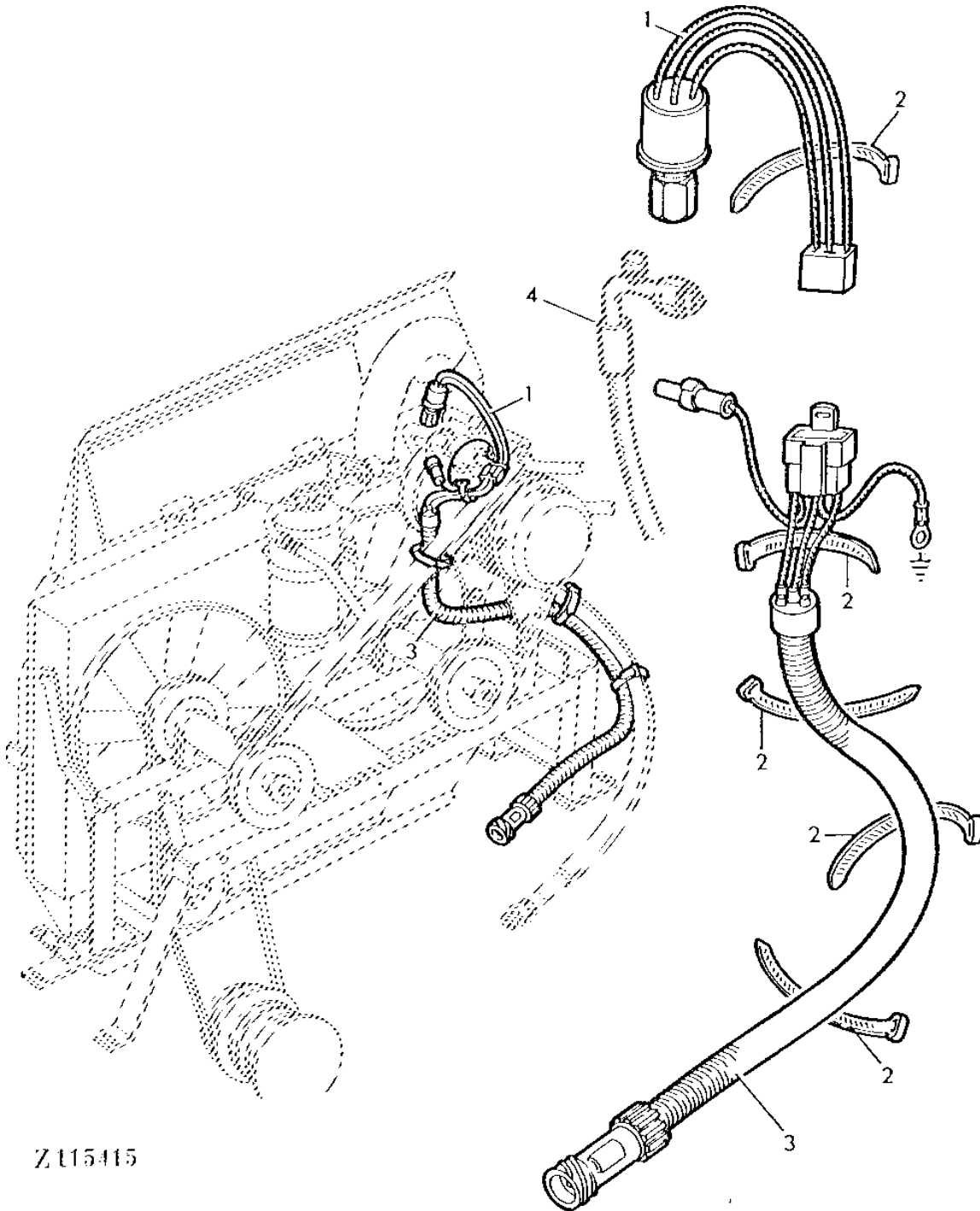
KEY	PART NO.	PART NAME	QTY	SERIAL NO.	4 4 4 3 4 5 3 H 5 Y	REMARKS
1	AT63265	SWITCH	1		X	
2	R44302	TIE BAND	AR		X	
3	AZ37820	POWER CORD	1		X	2260MM (88.98")LONG

1G5

ELECTRICAL SYSTEM

Z115415 -UN-01JAN94

COMPRESSOR CABLES



Z115415

1G6

ELECTRICAL SYSTEM

COMPRESSOR CABLES - CONTINUED

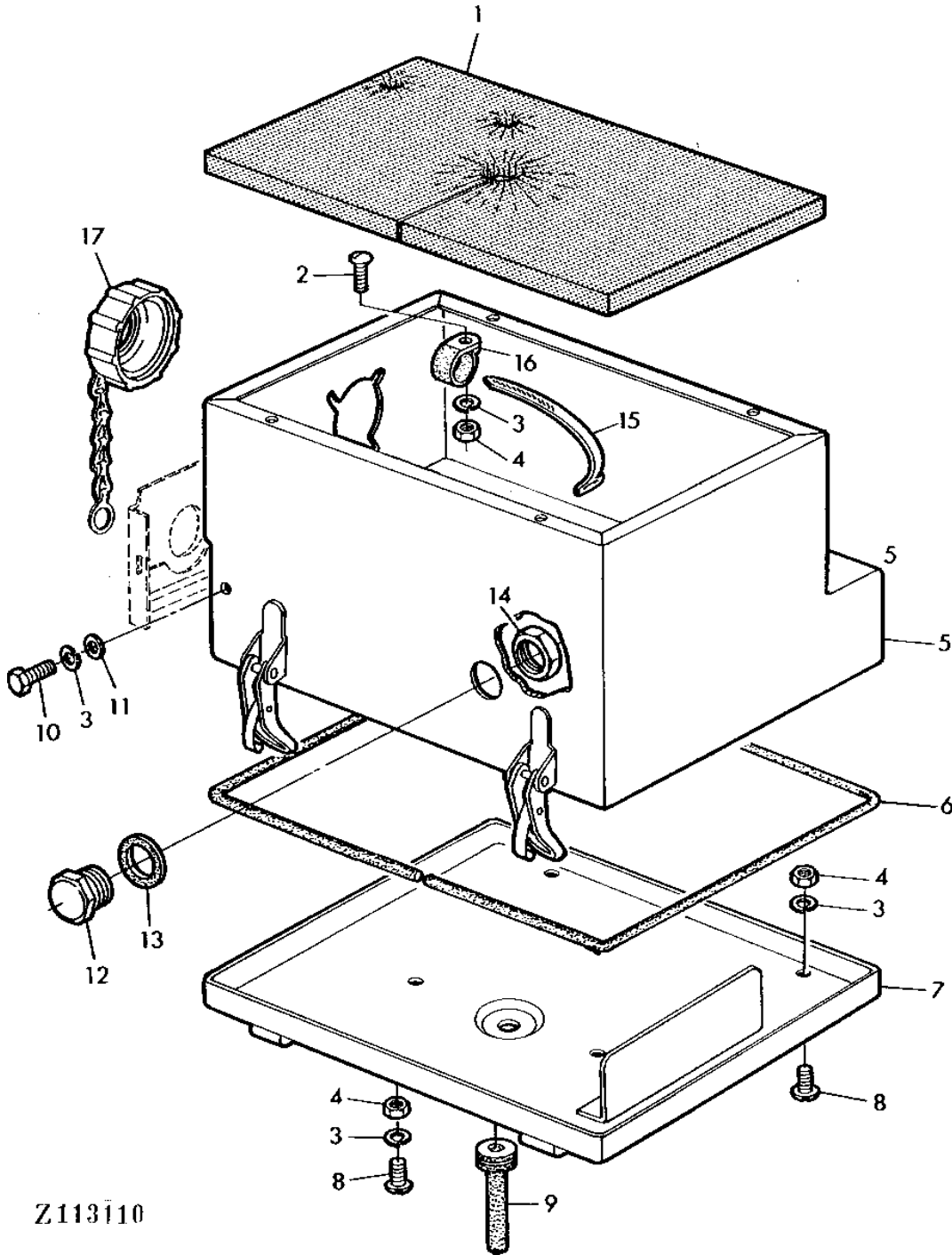
KEY	PART NO.	PART NAME	QTY	SERIAL NO.	4 4 4 3 4 5 3 H 5 Y	REMARKS
1	AT63265	SWITCH	1		X	
2	R44302	TIE BAND	AR		X	
3	AZ35851	POWER CORD	1		X	
4	HOSE	1		X	SEE SECTION 090

1G7

ELECTRICAL SYSTEM

Z113110 -UN-01JAN94

CENTRAL ELECTRICAL HOUSING



Z113110

1G8

ELECTRICAL SYSTEM

CENTRAL ELECTRICAL HOUSING - CONTINUED

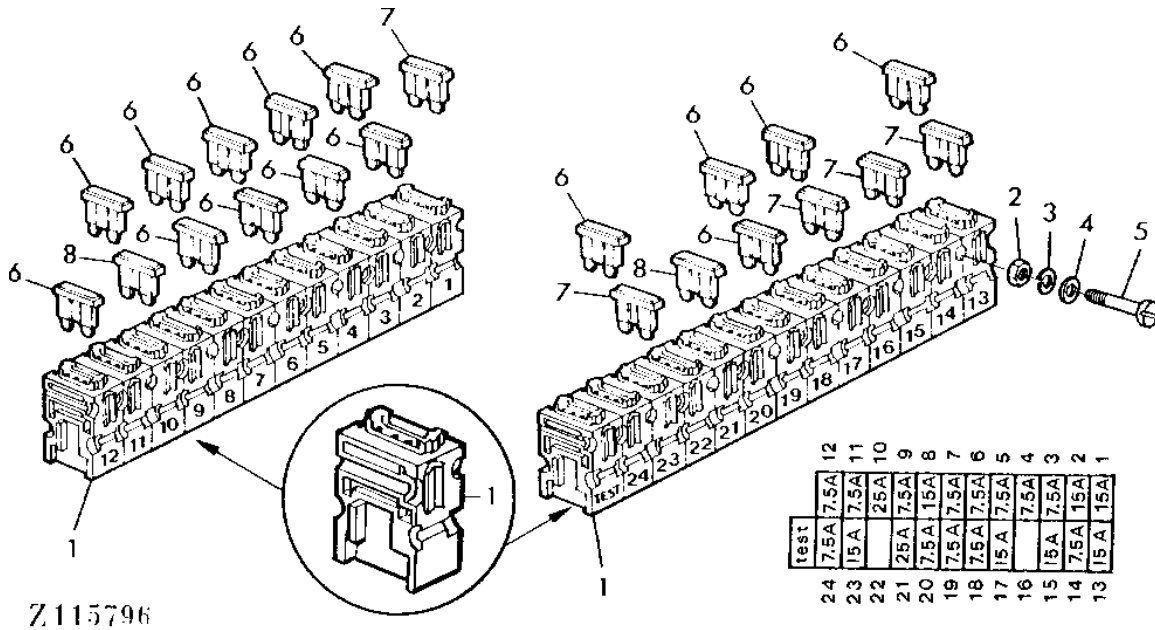
KEY	PART NO.	PART NAME	QTY	SERIAL NO.	4 4 4 3 4 5 3 H 5 Y	REMARKS
1	Z51676	SHIELD	1		X X	
2	21M7127	SCREW	4		X X	M6 X 18
3	12M7012	LOCK WASHER	10		X X	6.100 MM
4	14M7027	NUT	8		X X	M6
5	AZ37794	CASE	1		X X	
6	Z47507	GASKET	1		X X	
7	AZ37793	BOTTOM	1		X X	
8	21M7083	SCREW	4		X X	M6 X 10
9	Z44450	GROMMET	1		X X	
10	19M7159	CAP SCREW	2		X X	M6 X 15
11	Z26250	WASHER	2		X X	
12	Z44583	PLUG	1		X X	
13	Z44580	SEALING WASHER	1		X X	
14	Z44581	NUT	1		X X	
15	R44302	TIE BAND	2		X X	
16	AH80916	CLIP	2		X X	
17	AZ35029	TERMINAL NIPPLE	1		X X	

1G9

ELECTRICAL SYSTEM

Z115796 -UN-01JAN94

FUSES AND STRIP TERMINAL



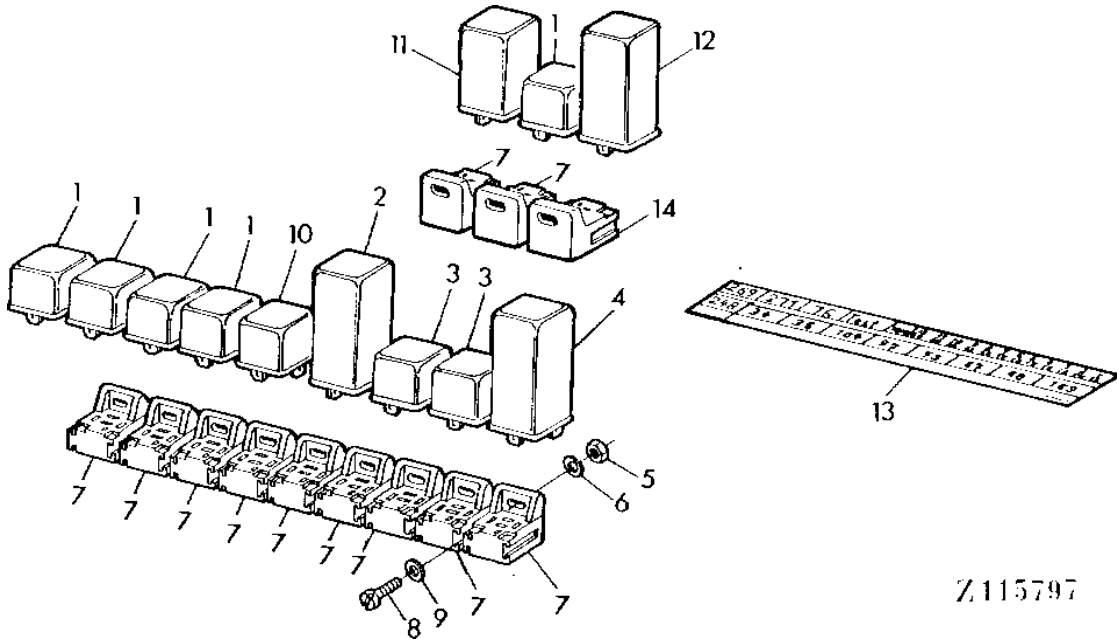
KEY	PART NO.	PART NAME	QTY	SERIAL NO.	REMARKS
				4	
				4	
				4 3	
				4 5	
				3 H	
				5 Y	
1	Z44339	RECEPTACLE CONNECTOR BODY	25	X X	
2	14M7030	NUT	2	X X	M3
3	12M7048	LOCK WASHER	2	X X	3.100 MM
4	24M7029	SHIM	2	X X	0.500 MM
5	21M7389	SCREW	2	X X	M3 X 60
6	99M7064	FUSE	13	X X	7.5A
7	99M7065	FUSE	7	X X	15A
8	99M7069	FUSE	2	X X	25A

1G10

ELECTRICAL SYSTEM

Z115797 -UN-01JAN94

RELAY PLUG SOCKET



Z115797

4
4
4 3
4 5
3 H
5 Y

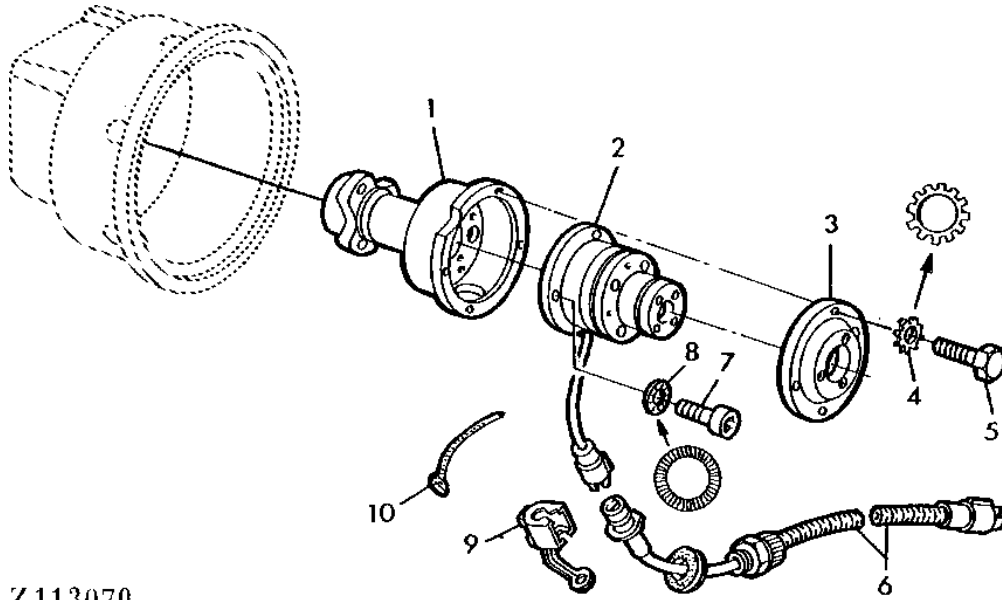
KEY	PART NO.	PART NAME	QTY	SERIAL NO.	REMARKS
1	AL58366	RELAY	5	X X	(SUB AL77324)
	AL77324	RELAY	5	X X	
2	AZ41346	RELAY	1	X X	
3	AZ32741	DIODE	2	X X	
4	AZ33202	RELAY	1	X X	
5	14M7028	NUT	6	X X	M5
6	12M7011	LOCK WASHER	6	X X	5.100 MM
7	AZ26995	HOLDER	11	X X	
8	21M7034	SCREW	6	X X	M5 X 12
9	24M7027	WASHER	6	X X	5.300 X 10 X 1 MM
10	AZ36333	RELAY	1	X X	
11	AZ39140	RELAY	1	X X	
12	AZ41206	FLASHER	1	X X	
13	Z52320	SERIAL NUMBER PLATE	1	X X	
14	57M7182	RECEPTACLE CONNECTOR BODY	1	X X	

1G11

ELECTRICAL SYSTEM

Z113070 -UN-01JAN94

ELECTRO-MAGNETIC-TRANSMISSION BRAKE



Z113070

KEY	PART NO.	PART NAME	QTY	SERIAL NO.	REMARKS
				4	
				4	
				4 3	
				4 5	
				3 H	
				5 Y	
1	Z11836	QUILL	1	X	
2	AZ39147	BRAKE	1	X	
3	Z11838	FLANGE	1	X	
4	12M7032	LOCK WASHER	4	X	8.400 MM
5	19M7284	CAP SCREW	4	X	M8 X 18
6	AZ39118	WIRING HARNESS	1	X	
7	19M7603	SCREW	3	X	M6 X 20
8	12M7062	LOCK WASHER	3	X	6.400 MM
9	Z44598	RETAINER	1	X	
10	R44302	TIE BAND	AR	X	

MEMORANDA

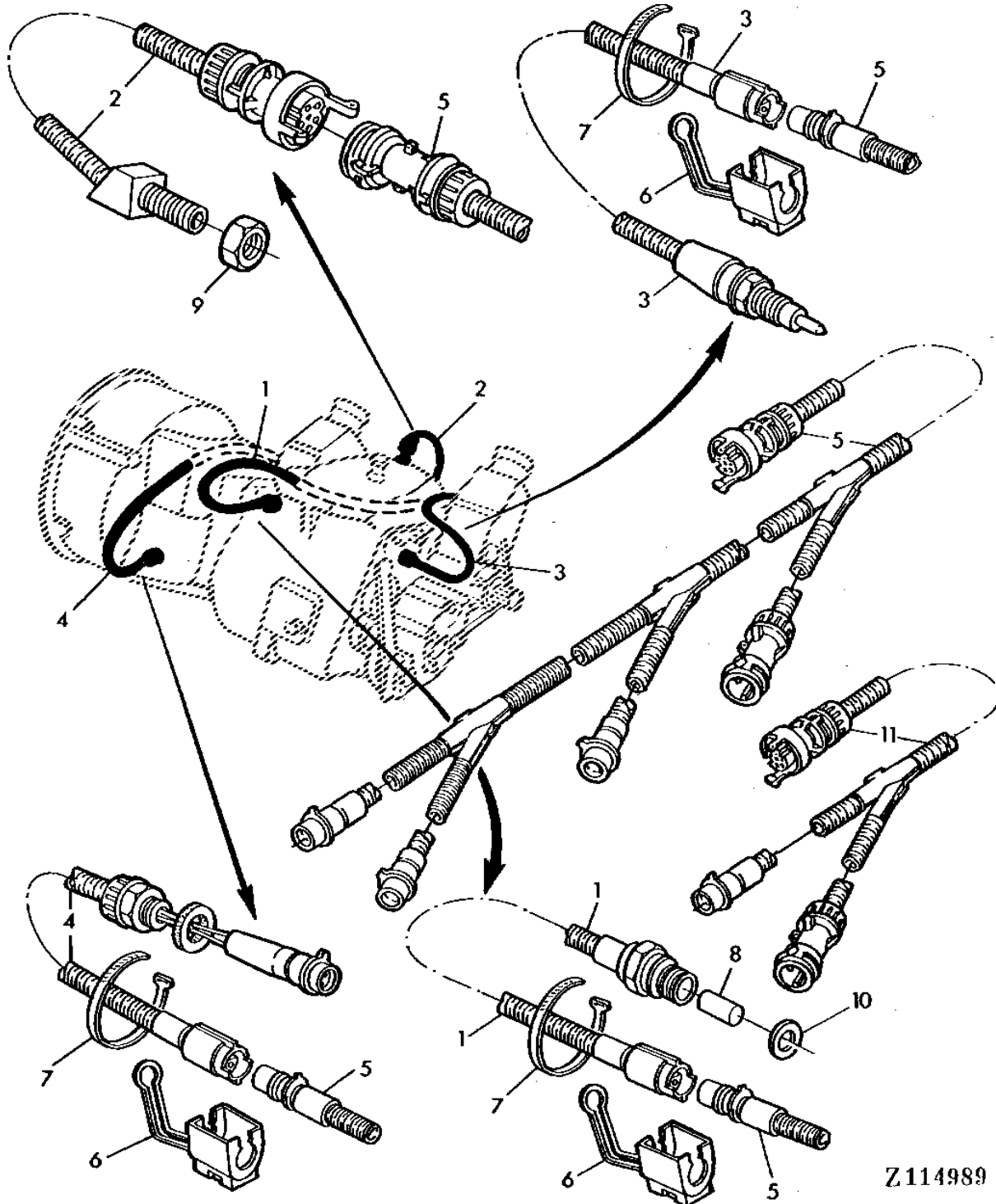
1G12

ELECTRICAL SYSTEM

Z114989

-UN-01JAN94

ELECTRIC CONNECTIONS, TRANSMISSION WIRING HARNESS



Z114989

1G13

ELECTRICAL SYSTEM

ELECTRIC CONNECTIONS, TRANSMISSION WIRING HARNESS - CONTINUED

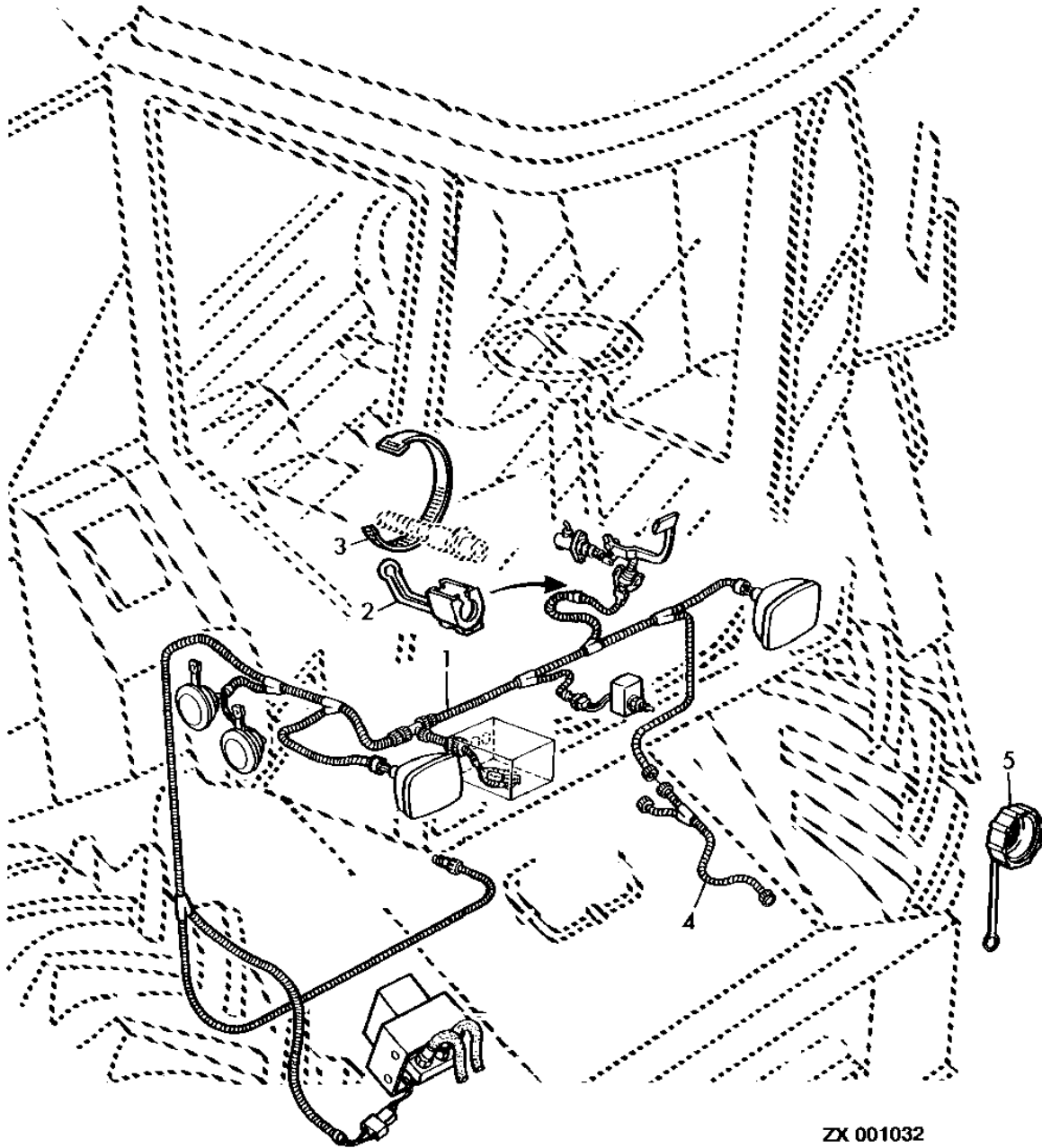
KEY	PART NO.	PART NAME	QTY	SERIAL NO.	4 4 4 3 4 5 3 H 5 Y	REMARKS
1	AZ34972	SWITCH	1		X X	
2	AZ36335	SENDER	1		X X	
3	AZ39148	SWITCH	1		X	
4	AZ39118	WIRING HARNESS	1		X	
5	AZ39058	WIRING HARNESS	1		X X	
6	Z44598	RETAINER	AR		X X	
7	R44302	TIE BAND	AR		X X	
8	Z45145	PIN	1		X X	
9	T12892	NUT	1		X X	3/4"
10	24M7158	SHIM	1		X X	0.500 MM
11	AZ43275	WIRING HARNESS	1		X	

1G14

ELECTRICAL SYSTEM

ZX001032 -UN-11JUL96

OPERATOR'S PLATFORM WIRING HARNESS



ZX 001032

1G15

ELECTRICAL SYSTEM

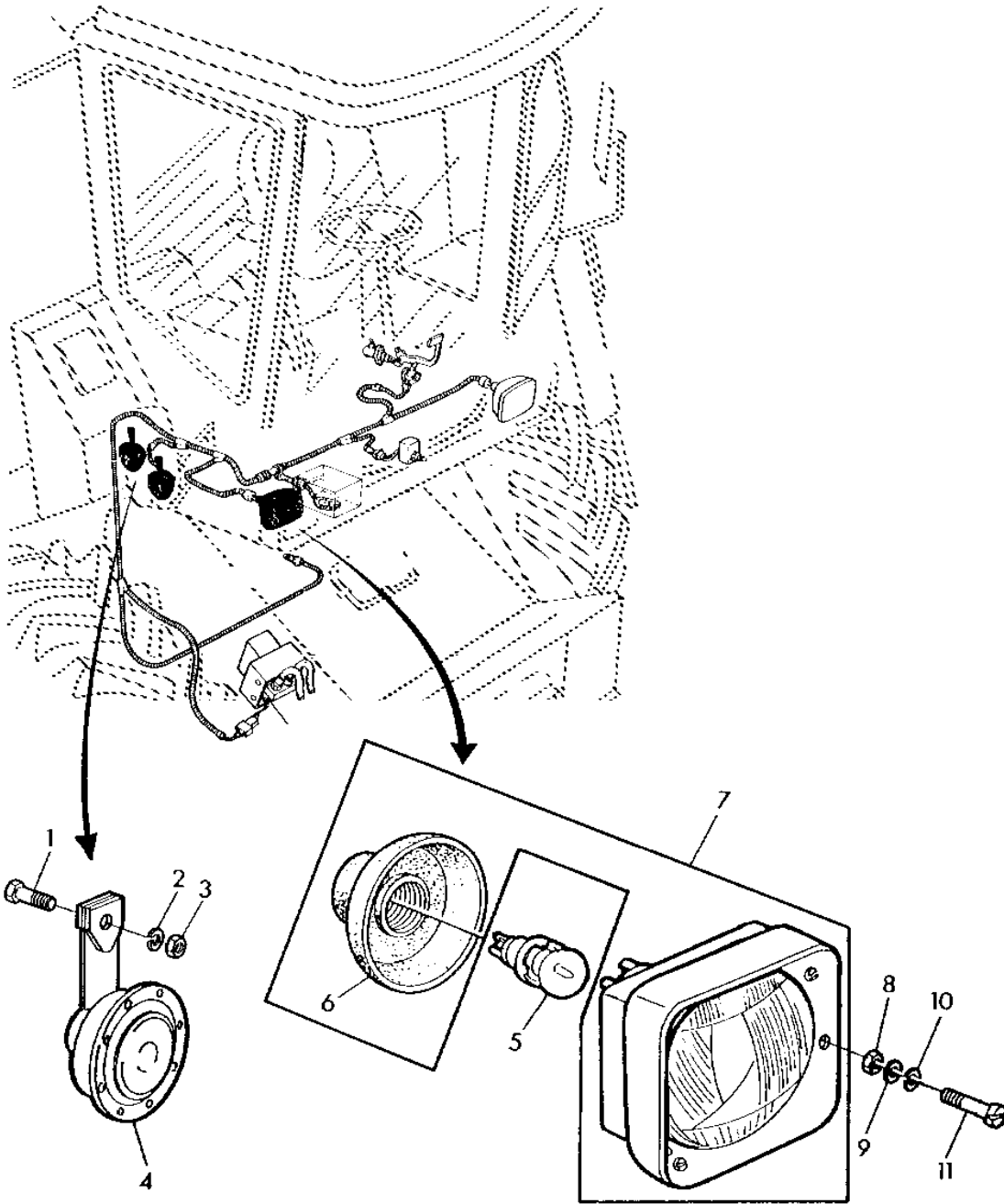
OPERATOR'S PLATFORM WIRING HARNESS - CONTINUED

KEY	PART NO.	PART NAME	QTY	SERIAL NO.	4 4 4 3 4 5 3 H 5 Y	REMARKS
1	AZ41209	WIRING HARNESS	1		X X	(SUB AZ44315)
	AZ44315	WIRING HARNESS	1		X X	
2	Z44598	RETAINER	1		X X	
3	R44302	TIE BAND	AR		X X	
4	AZ44326	WIRING HARNESS	1		X X	
5	AZ44327	CLAMP	1		X X	O.D. = 23,6 MM (0.93")
	AZ44328	CLAMP	1		X X	O.D. = 32,9 MM (1.30")

1G16

Z115800 -UN-01JAN94

HORN AND HEADLIGHTS



Z115800

1G17

ELECTRICAL SYSTEM

HORN AND HEADLIGHTS - CONTINUED

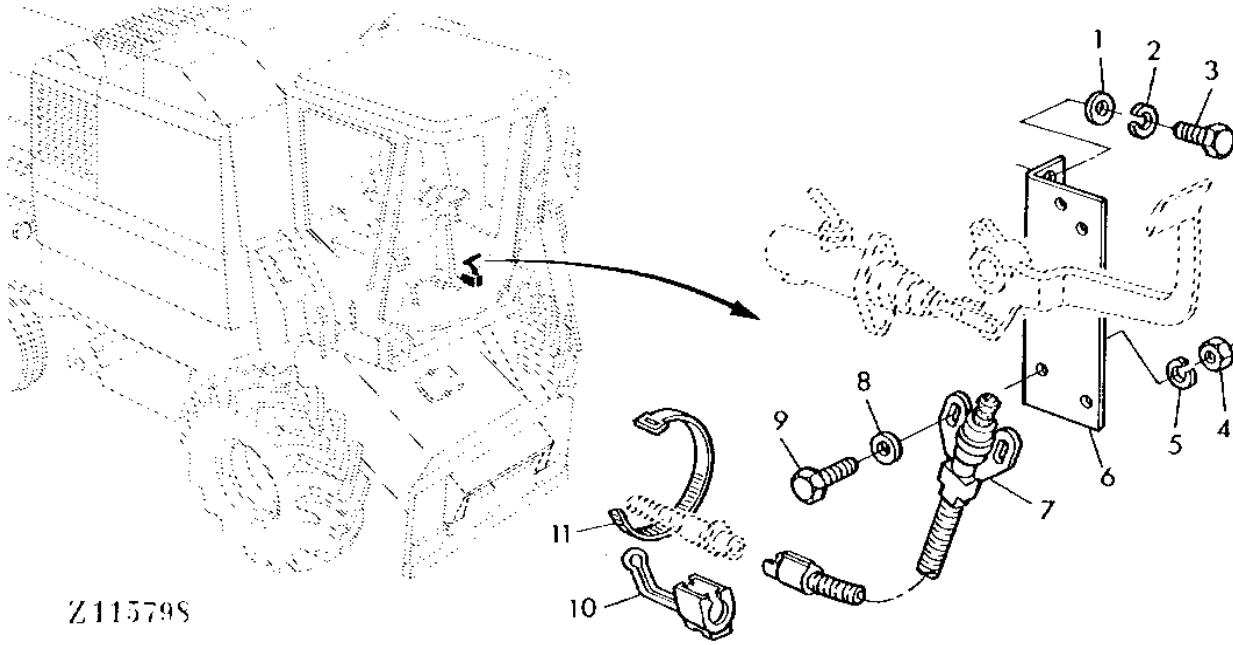
KEY	PART NO.	PART NAME	QTY	SERIAL NO.	4 4 4 3 4 5 3 H 5 Y	REMARKS
1	19M7139	CAP SCREW	1		X X	M8 X 20
2	12M7008	LOCK WASHER	1		X X	8.100 MM
3	14M7029	NUT	1		X X	M8
4	AZ38323	HORN	2		X X	
5	57M6844	BULB	2		X X	
6	Z48281	SHIELD	2		X X	
7	AZ39022	HEADLIGHT	2		X X	
8	14M7139	NUT	4		X X	M4
9	24M7117	WASHER	4		X X	4.300 X 9 X 0.800 MM
10	12M7031	LOCK WASHER	4		X X	4.100 MM
11	21M7229	SCREW	4		X X	M4 X 30

1G18

ELECTRICAL SYSTEM

Z115798 -UN-01JAN94

ELECTRICAL SWITCH - CLUTCH PEDAL



Z115798

4
4
4 3
4 5
3 H
5 Y

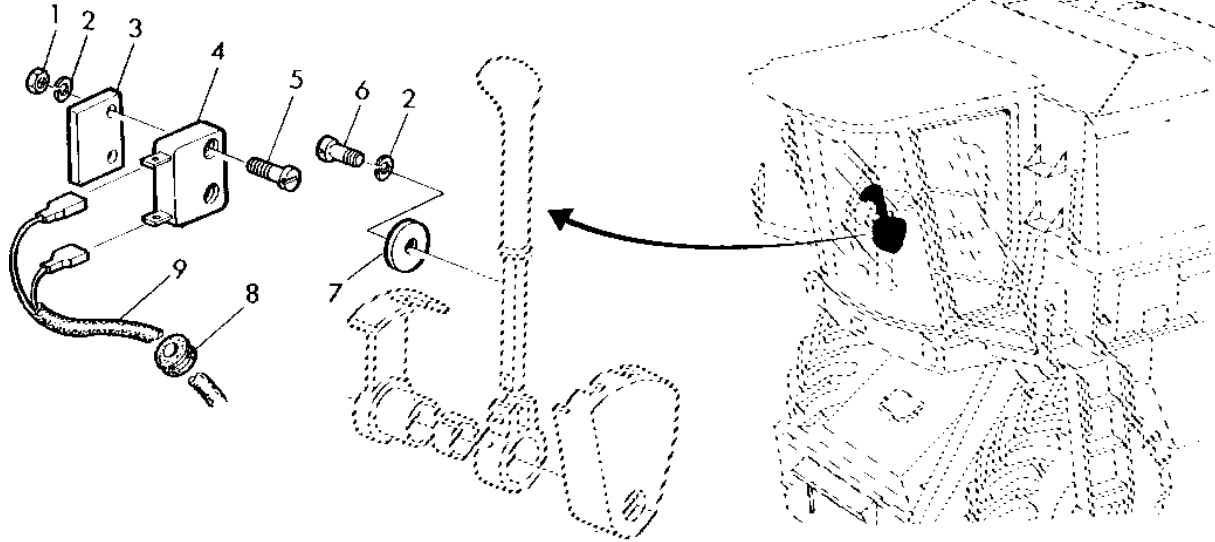
KEY	PART NO.	PART NAME	QTY	SERIAL NO.	REMARKS
1	24M7179	WASHER	AR	X	8.400 X 24 X 2 MM
2	12M7008	LOCK WASHER	AR	X	8.100 MM
3	19M7284	CAP SCREW	AR	X	M8 X 18
4	14M7139	NUT	AR	X	M4
5	12M7031	LOCK WASHER	AR	X	4.100 MM
6	Z51200	HOLDER	1	X	
7	AZ40086	SWITCH	1	X	
8	24M7117	WASHER	AR	X	4.300 X 9 X 0.800 MM
9	21M7197	SCREW	AR	X	M4 X 20
10	Z44598	RETAINER	1	X	
11	R44302	TIE BAND	1	X	

1G19

ELECTRICAL SYSTEM

Z115825 -UN-01JAN94

SAFETY STARTING SWITCH



Z115825

4
4
4 3
4 5
3 H
5 Y

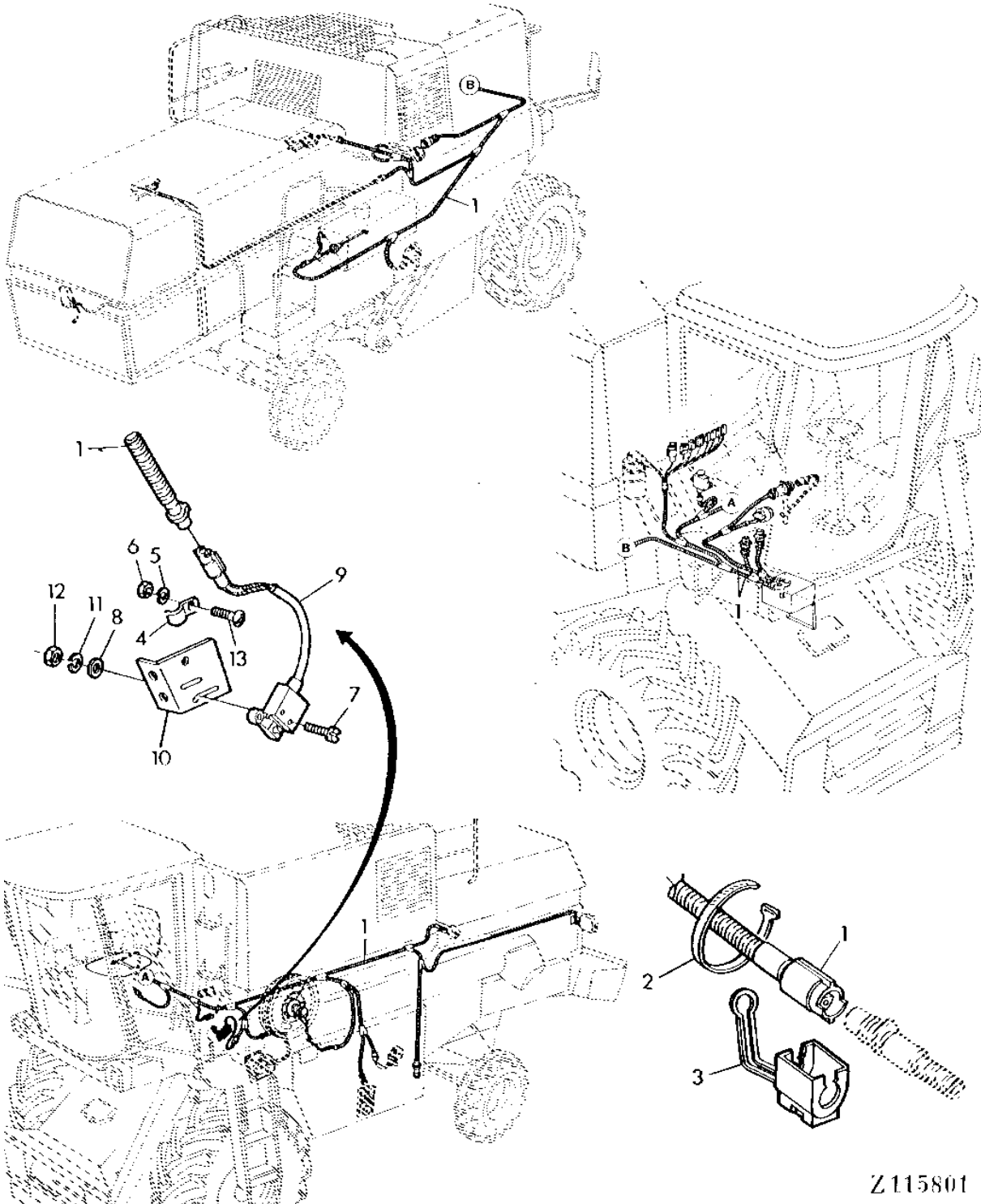
KEY	PART NO.	PART NAME	QTY	SERIAL NO.	REMARKS
1	14M7139	NUT	2	X X	M4
2	12M7031	LOCK WASHER	3	X X	4.100 MM
3	Z53068	STRAP	1	X X	
4	AZ41927	SOLENOID	1	X X	
5	21M7135	SCREW	2	X X	M4 X 25
6	21M7033	SCREW	1	X X	M4 X 16
7	L55078	MAGNET	1	X X	
8	Z21238	GROMMET	1	X X	
9	AZ41210	WIRING HARNESS	1	X	(SUB AZ42853)
	AZ42853	WIRING HARNESS	1	X X	

1G20

ELECTRICAL SYSTEM

Z115801 -UN-01JAN94

BASIC WIRING HARNESS



Z115801

1G21

ELECTRICAL SYSTEM

BASIC WIRING HARNESS - CONTINUED

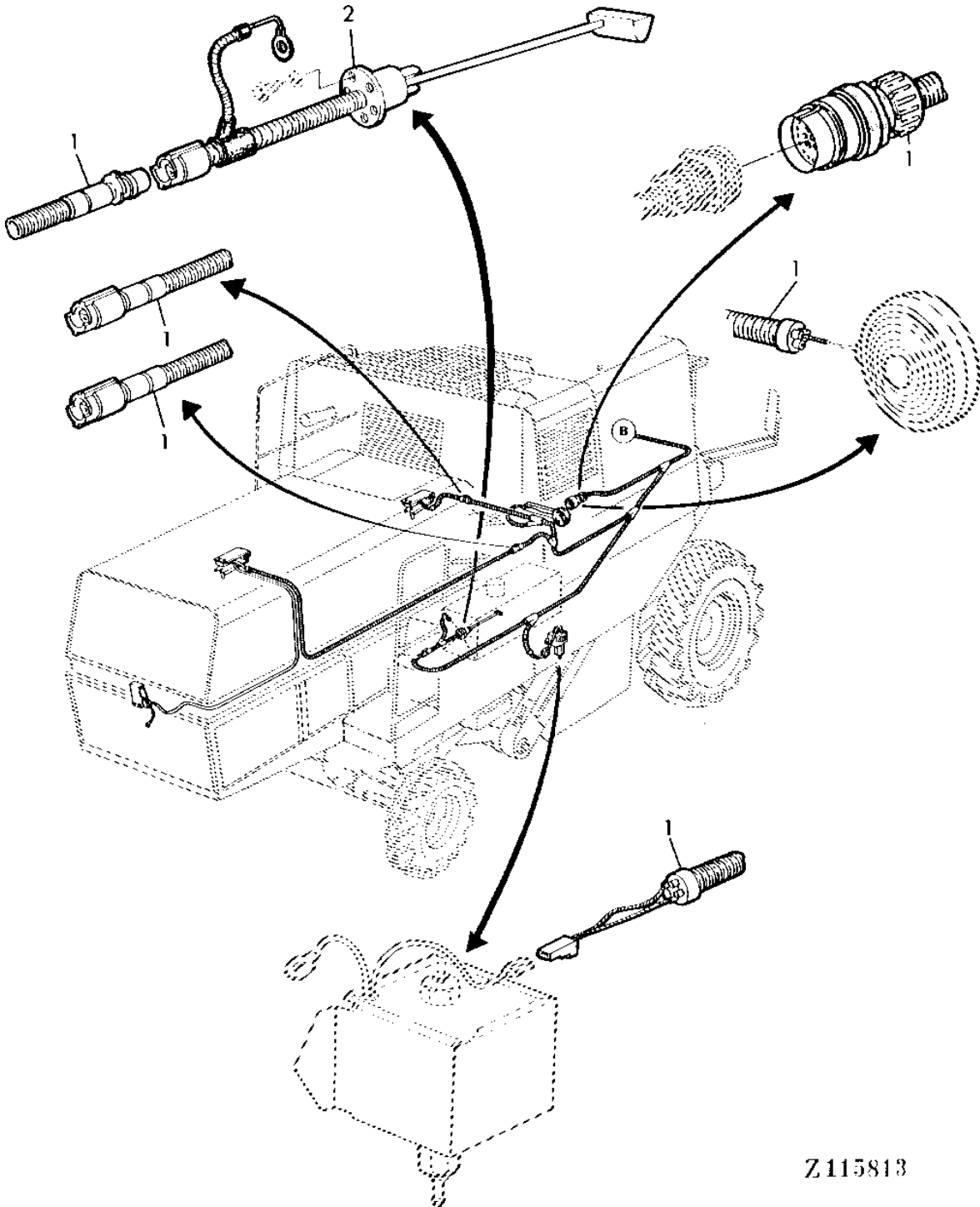
KEY	PART NO.	PART NAME	QTY	SERIAL NO.	REMARKS
					4
					4
					4 3
					4 5
					3 H
					5 Y
1	AZ41212	WIRING HARNESS	1		X
	AZ42854	WIRING HARNESS	1		X (SUB AZ44321)
	AZ44321	WIRING HARNESS	1		X
2	R44302	TIE BAND	AR		X X
3	Z44598	RETAINER	AR		X X
4	Z22588	CLAMP	1		X X
5	12M7012	LOCK WASHER	1		X X 6.100 MM
6	14M7027	NUT	1		X X M6
7	21M1251	SCREW	2		X X M4 X 20
8	24M7117	WASHER	2		X X 4.300 X 9 X 0.800 MM
9	AZ37324	SWITCH	1		X X
10	Z46731	RETAINER	1		X X
11	12M7031	LOCK WASHER	2		X X 4.100 MM
12	14M7139	NUT	2		X X M4
13	21M7127	SCREW	1		X X M6 X 18

1G22

ELECTRICAL SYSTEM

Z115813 -UN-01JAN94

BASIC WIRING HARNESS



Z115813

1G23

ELECTRICAL SYSTEM

BASIC WIRING HARNESS - CONTINUED

KEY	PART NO.	PART NAME	QTY	SERIAL NO.	4 4 4 3 4 5 3 H 5 Y	REMARKS
1	AZ41212	WIRING HARNESS	1		X	
	AZ42854	WIRING HARNESS	1		X	(SUB AZ44321)
	AZ44321	WIRING HARNESS	1		X	
2	AZ40021	WIRING HARNESS	1		X X	

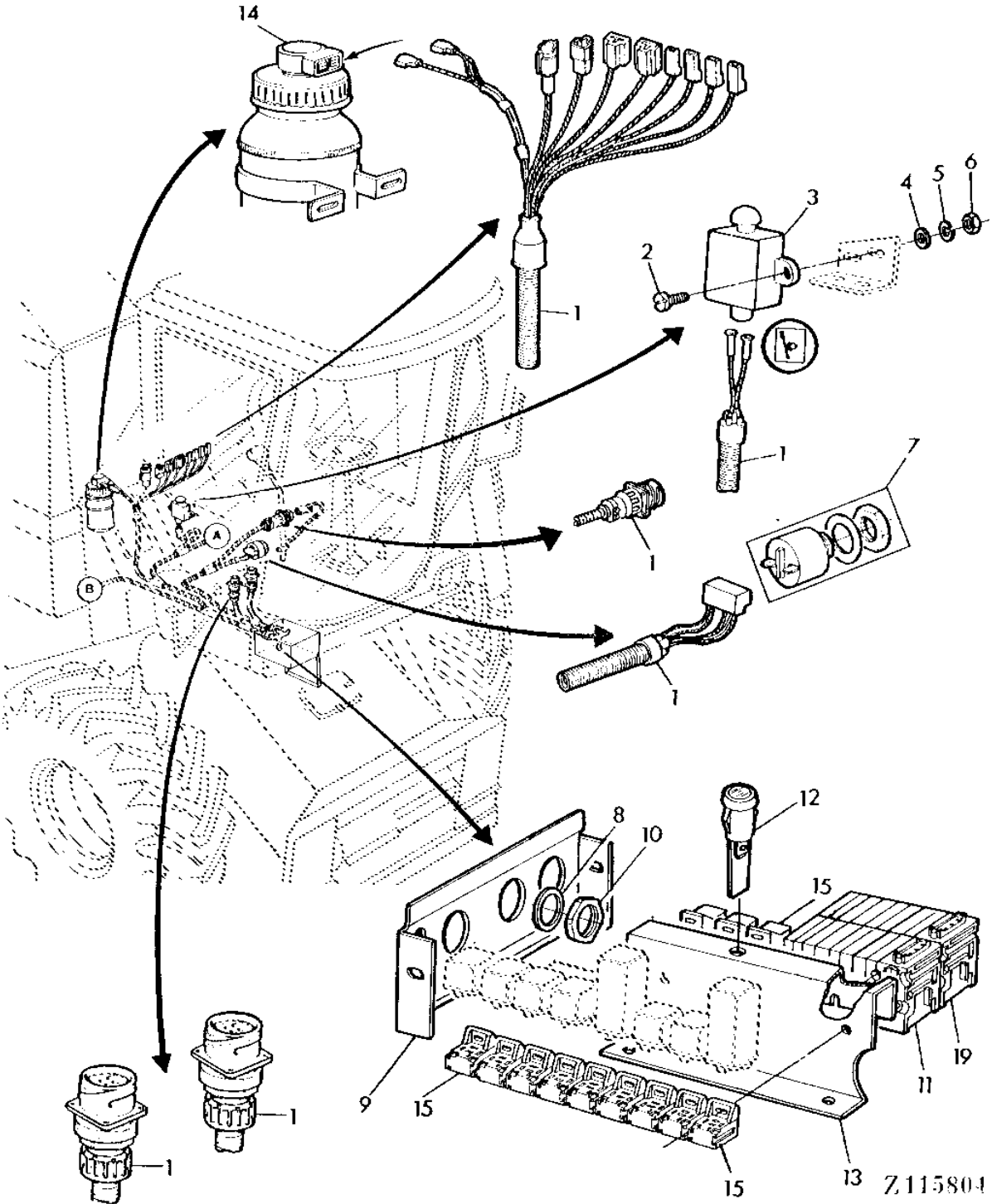
1G24

ELECTRICAL SYSTEM

Z115804

-UN-01JAN94

BASIC WIRING HARNESS



Z115804

1G25

ELECTRICAL SYSTEM

BASIC WIRING HARNESS - CONTINUED

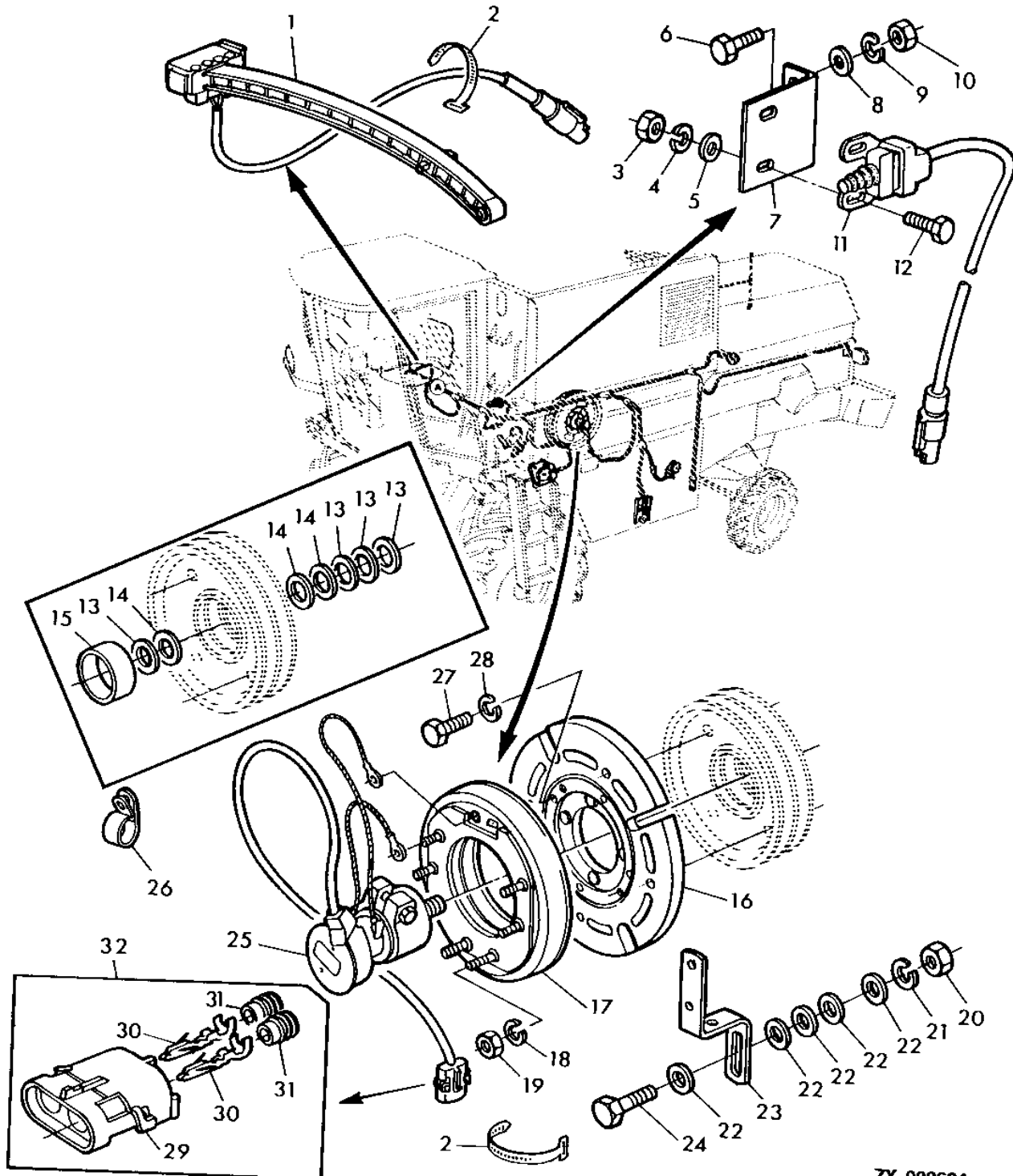
KEY	PART NO.	PART NAME	QTY	SERIAL NO.	4 4 4 3 4 5 3 H 5 Y	REMARKS
1	AZ41212	WIRING HARNESS	1		X	INCL.KEYS 8-10,13
	AZ42854	WIRING HARNESS	1		X	(SUB AZ44321)
	AZ44321	WIRING HARNESS	1		X	
2	21M7135	SCREW	2		X X	M4 X 25
3	AL11174	SWITCH	1		X X	
4	24M7117	WASHER	2		X X	4.300 X 9 X 0.800 MM
5	12M7031	LOCK WASHER	2		X X	4.100 MM
6	14M7139	NUT	2		X X	M4
7	AZ35876	SENDER	1		X X	
8	WASHER	1		X X	NOT SUPPLIED SEPARATELY
9	RETAINER	1		X X	NOT SUPPLIED SEPARATELY
10	NUT	1		X X	NOT SUPPLIED SEPARATELY
11	Z44339	RECEPTACLE CONNECTOR BODY	25		X X	
12	AZ39043	LAMP	1		X X	
13	Z42860	BRACKET	1		X X	
14	AZ22695	OIL CUP	1		X X	
15	AZ26995	HOLDER	9		X X	

1H1

ZX002684

-UN-01JAN94

ELECTROMAGNETIC CLUTCH-HEADER DRIVE



ZX 002684

1H2

ELECTRICAL SYSTEM

ELECTROMAGNETIC CLUTCH-HEADER DRIVE - CONTINUED

KEY	PART NO.	PART NAME	QTY	SERIAL NO.	4 4 4 3 4 5 3 H 5 Y	REMARKS
1	AZ42036	CABLE	1		X X	
2	R44302	TIE BAND	AR		X X	
3	14M7139	NUT	2		X X	M4
4	12M7031	LOCK WASHER	2		X X	4.100 MM
5	24M7117	WASHER	2		X X	4.300 X 9 X 0.800 MM
6	19M7159	CAP SCREW	2		X X	M6 X 15
7	Z52583	ANGLE	1		X X	
8	24M7088	WASHER	2		X X	6.600 X 12 X 1.600 MM
9	12M7012	LOCK WASHER	2		X X	6.100 MM
10	14M7027	NUT	2		X X	M6
11	AZ40087	SWITCH	1		X X	
12	19M8078	CAP SCREW	2		X X	M4 X 16
13	24M4813	WASHER	AR		X X	50 X 62 X 1 MM
14	24M5640	WASHER	AR		X X	50 X 62 X 1.400 MM
15	Z53037	BUSHING	1		X X	NO LONGER REQUIRED
16	AH96244	ARMATURE	1		X X	
17	AH90781	FIELD WINDING COIL	1		X X	
18	12H304	LOCK WASHER	6		X X	3/8"
19	14H812	NUT	6		X X	3/8"
20	14M7140	NUT	1		X X	M10
21	12M7013	LOCK WASHER	1		X X	10.200 MM
22	24M7178	WASHER	5		X X	10.500 X 30 X 2.500 MM
23	Z53034	RETAINER	1		X X	
24	19M7169	CAP SCREW	1		X X	M10 X 35
25	AH107036	BRUSH	1		X X	
26	AR21837	CLAMP	1		X X	
27	19M7268	CAP SCREW	4		X X	M12 X 25
28	12M7014	LOCK WASHER	4		X X	12.200 MM
29	R78053	CONNECTOR	1		X X	
30	Z44690	ELECTRICAL PLUG	2		X X	
31	Z44689	TERMINAL NIPPLE	2		X X	
32	RE12330	CONNECTOR	1		X X	

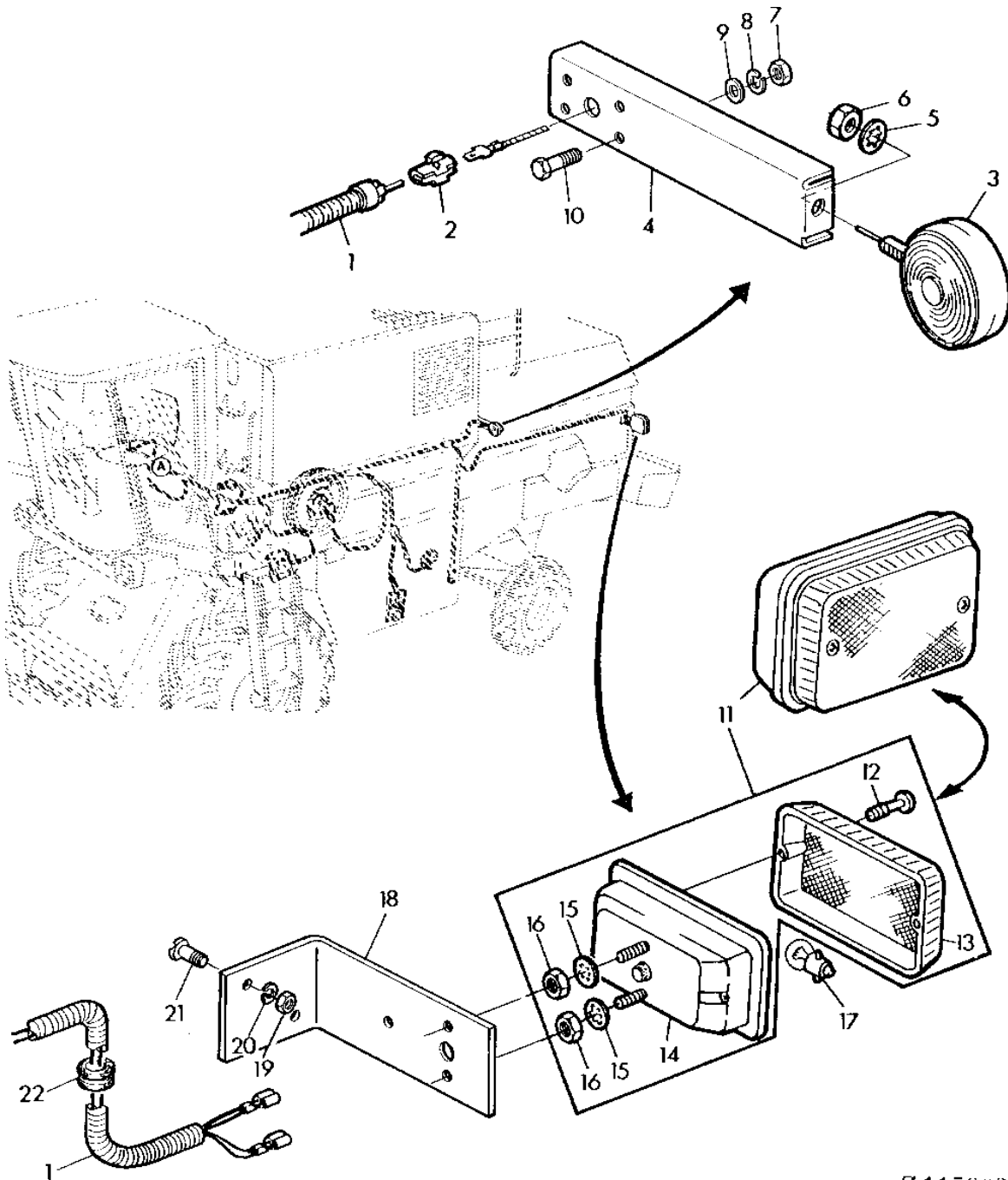
1H3

ELECTRICAL SYSTEM

Z115802

-UN-01JAN94

WARNING LIGHTS AND TAIL LIGHTS



Z115802

1H4

ELECTRICAL SYSTEM

WARNING LIGHTS AND TAIL LIGHTS - CONTINUED

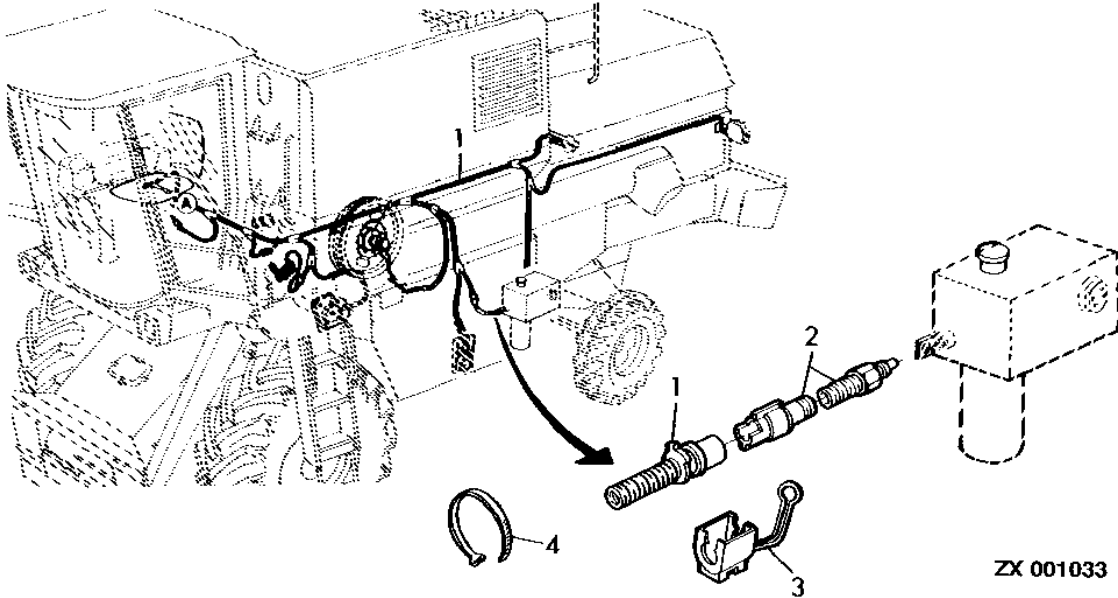
KEY	PART NO.	PART NAME	QTY	SERIAL NO.	4 4 4 3 4 5 3 H 5 Y	REMARKS
1	AZ41212	WIRING HARNESS	1		X	
	AZ42854	WIRING HARNESS	1		X	(SUB AZ44321)
	AZ44321	WIRING HARNESS	1		X	
2	57M7095	CONNECTOR	2		X X	
3	AT23467	LAMP	2		X X	
4	Z53069	RETAINER	2		X X	
5	12H301	LOCK WASHER	1		X X	1/2"
6	14H865	NUT	1		X X	1/2"
7	14M7027	NUT	2		X X	M6
8	12M7012	LOCK WASHER	2		X X	6.100 MM
9	Z26250	WASHER	2		X X	
10	19M7159	CAP SCREW	2		X X	M6 X 15
11	AZ35474	LAMP	1		X X	
12	BOLT	2		X X	NOT SUPPLIED SEPARATELY
13	Z44915	LENS	1		X X	
14	SOCKET	1		X X	NOT SUPPLIED SEPARATELY
15	LOCK WASHER	2		X X	NOT SUPPLIED SEPARATELY
16	NUT	2		X X	NOT SUPPLIED SEPARATELY
17	57M6498	BULB	1		X X	12V 5W
18	Z52328	ANGLE	1		X X	
19	14M7029	NUT	2		X X	M8
20	12M7008	LOCK WASHER	2		X X	8.100 MM
21	21M7081	SCREW	2		X X	M8 X 15
22	Z42240	GROMMET	1		X X	

1H5

ELECTRICAL SYSTEM

ZX001033 -UN-11JUL96

BASIC WIRING HARNESS WITH THERMOSTAT SWITCH FOR HYDROSTATIC DRIVE



ZX 001033

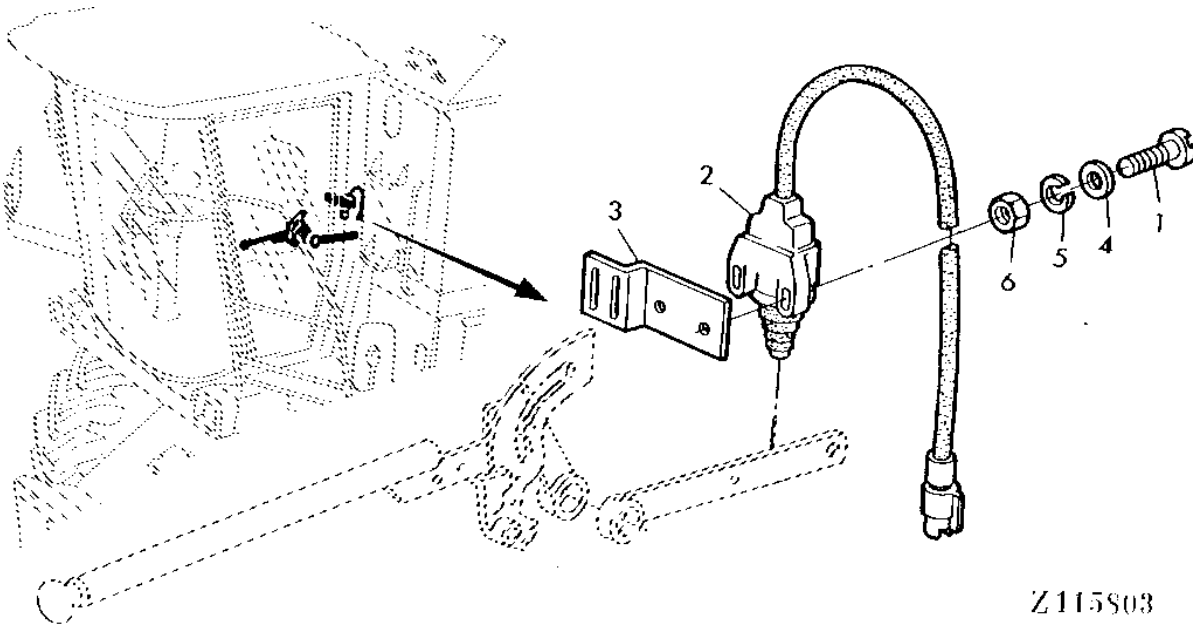
KEY	PART NO.	PART NAME	QTY	SERIAL NO.	REMARKS
				4	
				4	
				4 3	
				4 5	
				3 H	
				5 Y	
1	AZ42854	WIRING HARNESS	1		X
2	AZ35010	SENDER	1		X
3	Z44598	RETAINER	1		X
4	R44302	TIE BAND	AR		X

1H6

ELECTRICAL SYSTEM

Z115803 -UN-01JAN94

REVERSER SWITCH



Z115803

4
4
4 3
4 5
3 H
5 Y

KEY	PART NO.	PART NAME	QTY	SERIAL NO.	REMARKS
1	21M7197	SCREW	2	X X	M4 X 20
2	AZ40087	SWITCH	1	X X	
3	RETAINER	1	X X	SEE SECTION 090
4	24M7146	WASHER	2	X X	4.300 X 12 X 1 MM
5	12M7031	LOCK WASHER	2	X X	4.100 MM
6	14M7139	NUT	2	X X	M4

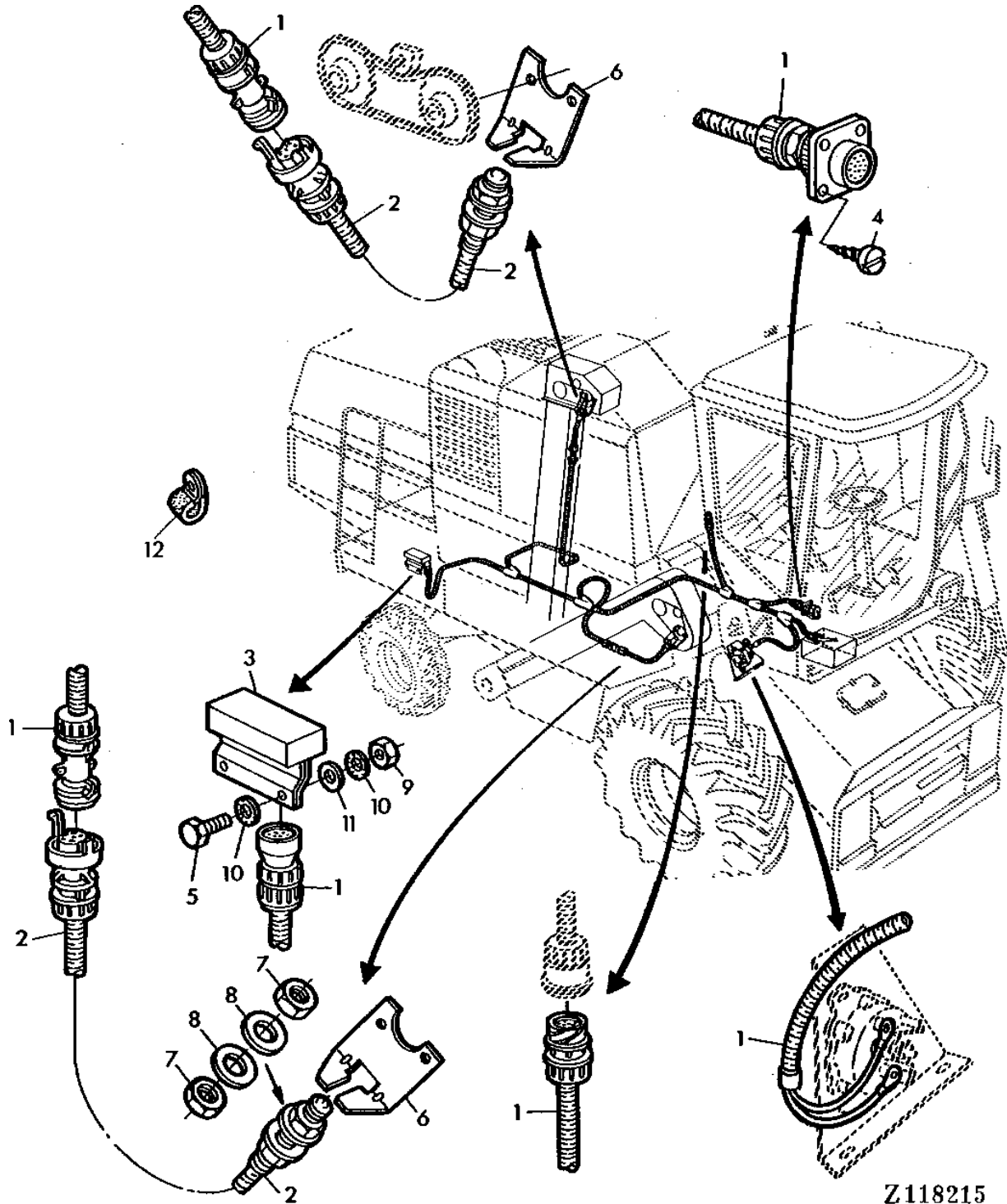
1H7

ELECTRICAL SYSTEM

Z118215

-UN-01JAN94

WIRING HARNESS, LOW SHAFT SPEED CONTROL SENDING UNIT



Z118215

1H8

ELECTRICAL SYSTEM

WIRING HARNESS, LOW SHAFT SPEED CONTROL SENDING UNIT - CONTINUED

KEY	PART NO.	PART NAME	QTY	SERIAL NO.	4 4 4 3 4 5 3 H 5 Y	REMARKS
1	AZ41213	WIRING HARNESS	1		X X	
2	AZ40803	SENDER	2		X X	MARKED YELLOW
3	AH109793	PRINTED CIRCUIT	1		X X	
4	37M7119	SCREW	4		X X	4,8 X 13MM
5	19M6614	CAP SCREW	AR		X X	M6 X 12
6	Z46349	RETAINER	2		X X	
7	14M7456	NUT	AR		X X	M18 X 1
8	24M7318	WASHER	AR		X X	19 X 34 X 3 MM
9	14M7027	NUT	AR		X X	M6
10	12M3999	LOCK WASHER	AR		X X	6.400 MM
11	Z26250	WASHER	AR		X X	
12	H75541	CLAMP	AR		X X	

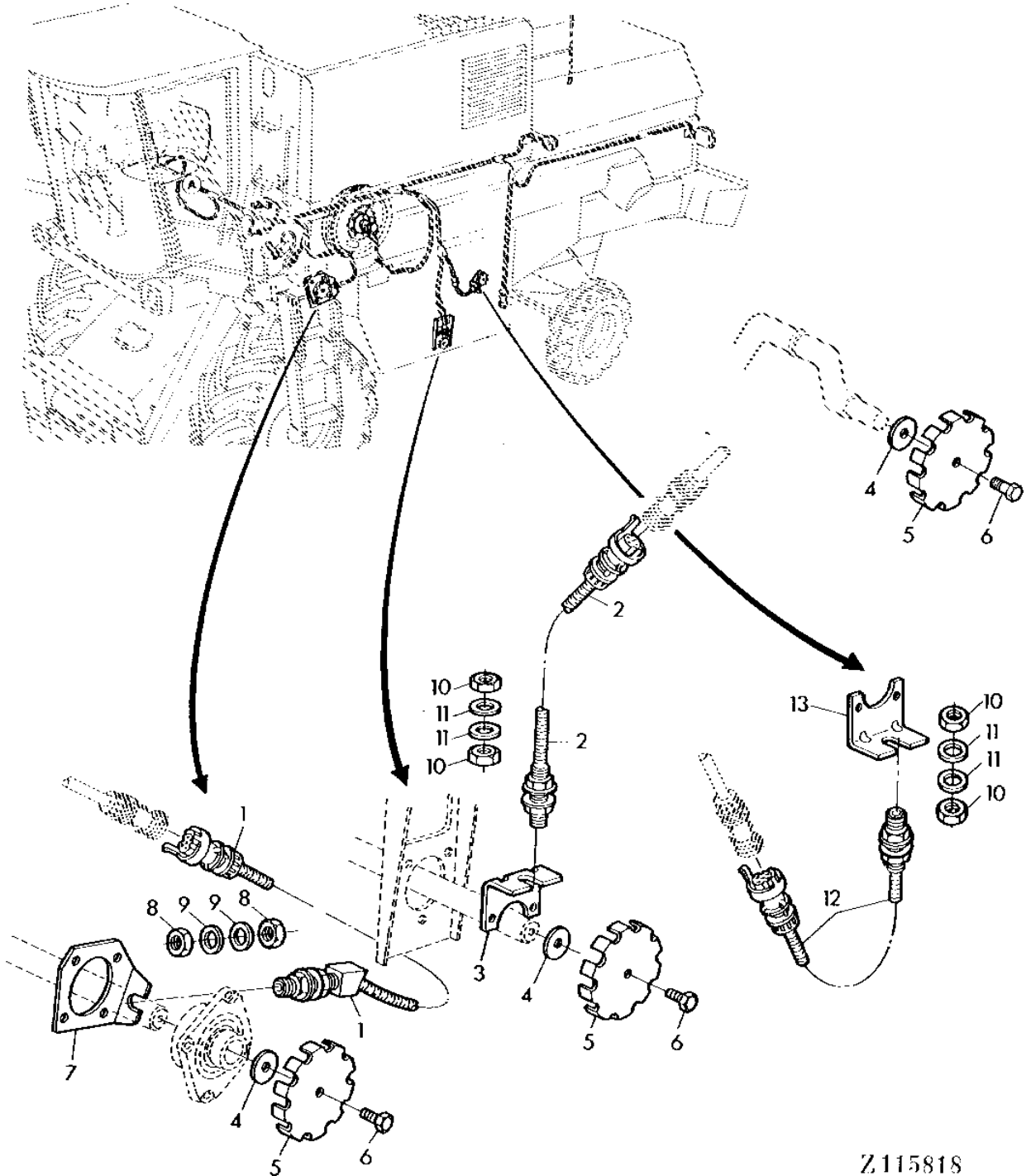
1H9

ELECTRICAL SYSTEM

Z115818

-UN-01JAN94

LOW SHAFT SPEED CONTROL SENSING UNIT



Z115818

1H10

ELECTRICAL SYSTEM

LOW SHAFT SPEED CONTROL SENDING UNIT - CONTINUED

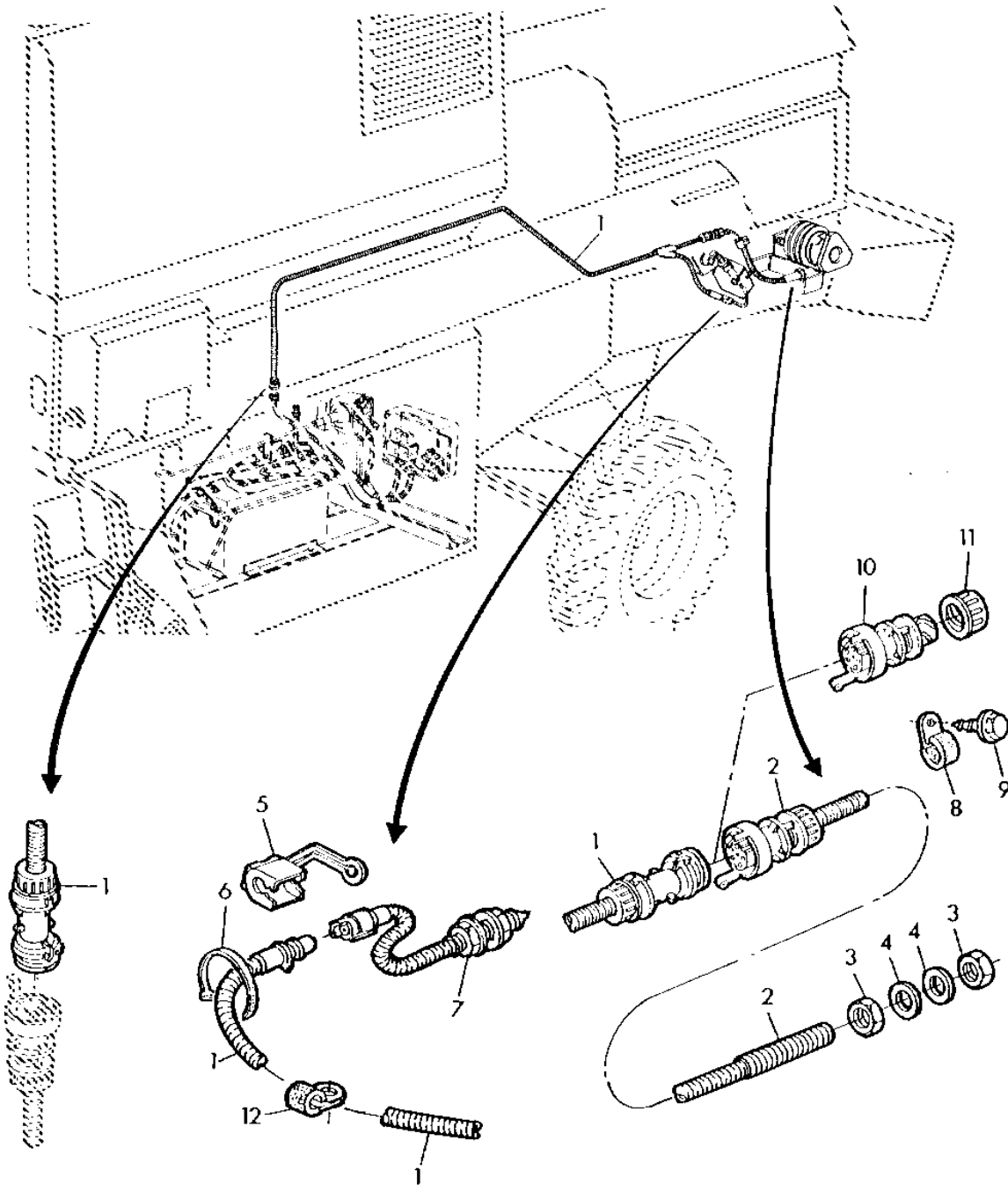
KEY	PART NO.	PART NAME	QTY	SERIAL NO.	4 4 4 3 4 5 3 H 5 Y	REMARKS
1	AZ36335	SENDER	1		X X	
2	AZ40804	SENDER	1		X X	MARKED GREEN
3	Z52042	HOLDER	1		X X	
4	24M7012	WASHER	AR		X X	6.400 X 24 X 1.200 MM
5	Z46123	SENDER	2		X X	
6	19M6614	CAP SCREW	2		X X	M6 X 12
7	Z46122	RETAINER	1		X X	
8	T12892	NUT	AR		X X	
9	24M7099	WASHER	AR		X X	21 X 34 X 2.500 MM
10	14M7456	NUT	AR		X X	M18 X 1
11	24M7318	WASHER	AR		X X	19 X 34 X 3 MM
12	AZ40803	SENDER	1		X X	MARKED YELLOW
13	Z51984	HOLDER	1		X X	

1H11

ELECTRICAL SYSTEM

Z115806 -UN-01JAN94

CABLE-STRAW CHOPPER WITH LOW SPEED CONTROL



Z115806

1H12

ELECTRICAL SYSTEM

CABLE-STRAW CHOPPER WITH LOW SPEED CONTROL - CONTINUED

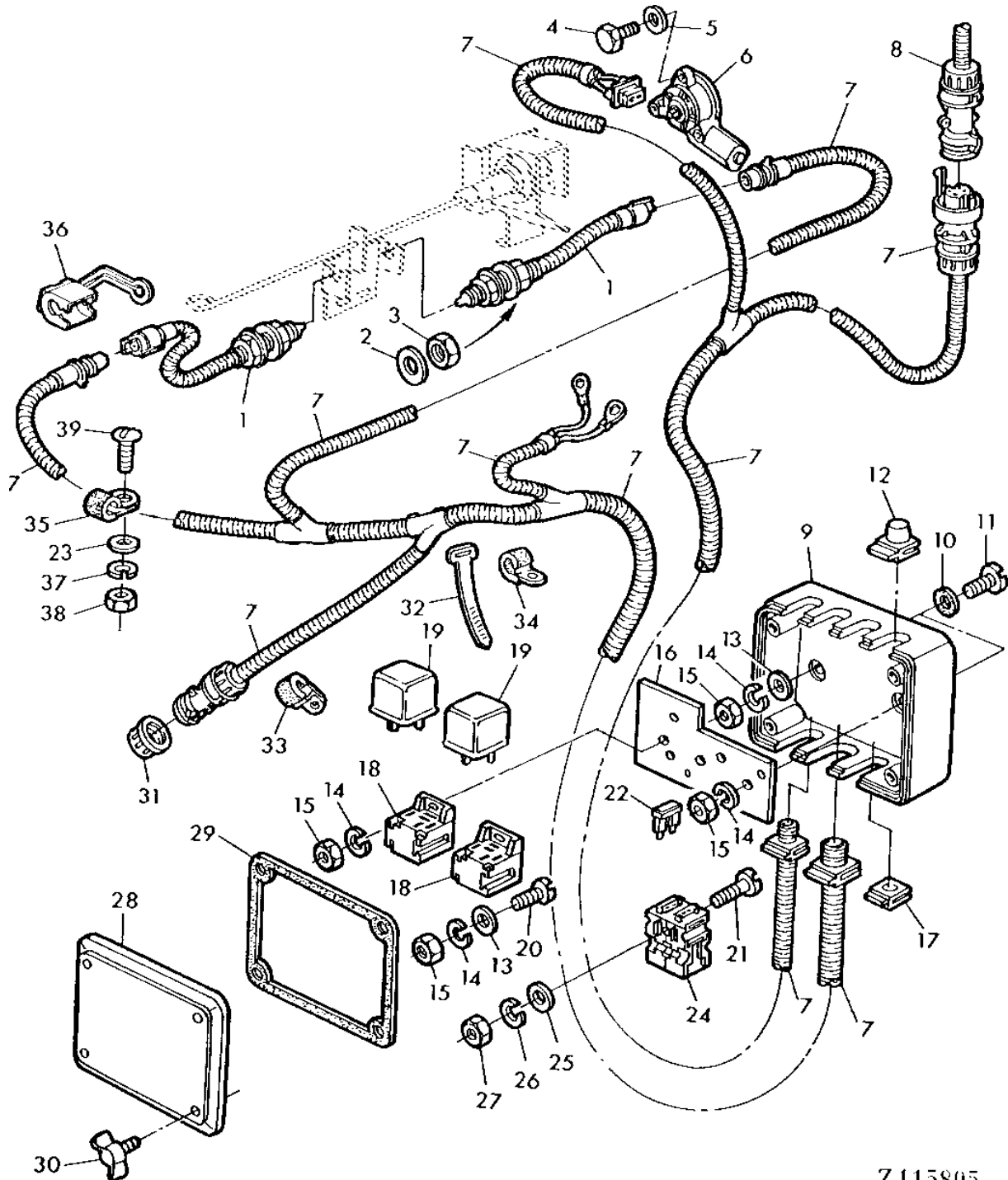
KEY	PART NO.	PART NAME	QTY	SERIAL NO.	4 4 4 3 4 5 3 H 5 Y	REMARKS
1	AZ38099	WIRING HARNESS	1		X X	
2	AZ40802	SENDER	1		X X	MARKED RED
3	14M7456	NUT	2		X X	M18 X 1
4	24M7318	WASHER	2		X X	19 X 34 X 3 MM
5	Z44598	RETAINER	1		X X	
6	R44302	TIE BAND	AR		X X	
7	AZ36449	SWITCH	1		X X	
8	R46415	CLAMP	AR		X	(SUB H75541)
	H75541	CLAMP	AR		X X	
9	Z41631	SCREW	1		X X	4,5 X 13MM
10	Z46114	CONNECTOR BODY,(PIN&SOCKET	1		X X	WITHOUT SPEED MONITOR
11	Z44349	NUT	1		X X	WITHOUT SPEED MONITOR
12	Z21993	CLAMP	1		X X	

1H13

ELECTRICAL SYSTEM

Z115805 -UN-01JAN94

ELECTRIC FAN ADJUSTER/STRAW CHOPPER ELECTRICAL PARTS



Z115805

1H14

ELECTRICAL SYSTEM

ELECTRICAL FAN ADJUSTER/STRAW CHOPPER ELECTRICAL PARTS - CONTINUED

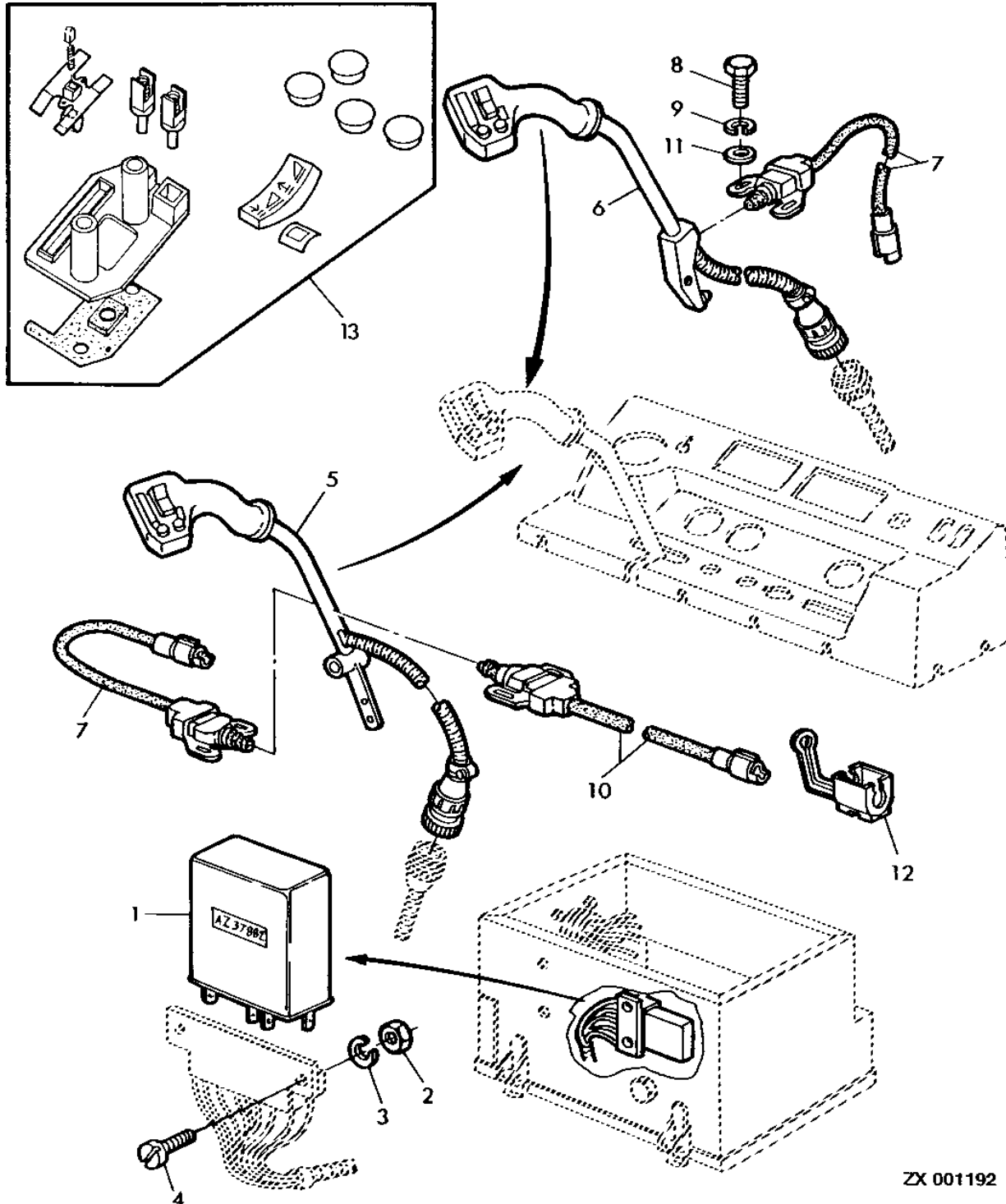
KEY	PART NO.	PART NAME	QTY	SERIAL NO.	4 4 4 3 4 5 3 H 5 Y	REMARKS
1	AZ36449	SWITCH	2		X X	
2	24M1590	WASHER	4		X X	19 X 34 X 3 MM
3	14M7456	NUT	4		X X	M18 X1
4	Z38459	CAP SCREW	3		X X	
5	24M7100	WASHER	3		X X	6.600 X 22 X 2 MM
6	AZ37287	MOTOR	1		X X	
7	AZ41208	WIRING HARNESS	1		X X	
8	AZ41212	WIRING HARNESS	1		X	
	AZ42854	WIRING HARNESS	1		X	(SUB AZ44321)
	AZ44321	WIRING HARNESS	1		X	
9	Z44527	JUNCTION BLOCK	1		X X	
10	Z44062	WASHER	2		X X	
11	21M7141	SCREW	2		X X	M5 X 20
12	Z44059	GROMMET	4		X X	
13	24M7262	WASHER	AR		X X	5.300 X 10 X 1 MM
14	12M7011	LOCK WASHER	AR		X X	5.100 MM
15	14M7028	NUT	AR		X X	M5
16	Z44523	PLATE	1		X X	
17	Z44056	GROMMET	1		X X	
18	AZ26995	HOLDER	3		X X	
19	AL58366	RELAY	2		X X	(SUB AL77324)
	AL77324	RELAY	2		X X	
20	21M7140	SCREW	1		X X	M5 X10
21	21M7202	SCREW	1		X X	M3 X 35
22	99M7069	FUSE	1		X X	25 AMP
23	Z26250	WASHER	AR		X X	
24	Z44339	RECEPTACLE CONNECTOR BODY	2		X X	
25	24M7029	SHIM	1		X X	0.500 MM
26	12M7048	LOCK WASHER	1		X X	3.100 MM
27	14M7030	NUT	1		X X	M3
28	Z44526	COVER	1		X X	
29	Z44525	GASKET	1		X X	
30	21M7344	SCREW	4		X X	M6 X 25
31	AZ37087	CAP	1		X X	WITHOUT CHOPPER
32	R44302	TIE BAND	AR		X X	
33	H77358	CLIP	AR		X X	
34	R46415	CLAMP	AR		X	(SUB H75541)
	H75541	CLAMP	AR		X X	
35	T70659	CLAMP	AR		X X	
36	Z44598	RETAINER	2		X X	
37	12M7012	LOCK WASHER	AR		X X	6.100 MM
38	14M7027	NUT	AR		X X	M6
39	21M7127	SCREW	AR		X X	M6 X 18

1H15

ELECTRICAL SYSTEM

ZX001192 -UN-01JAN94

MULTI-FUNCTIONAL RELAY, CONTROL LEVER AND SAFETY-SWITCH



ZX 001192

1H16

ELECTRICAL SYSTEM

MULTI-FUNCTIONAL RELAY, CONTROL LEVER AND SAFETY SWITCH - CONTINUED

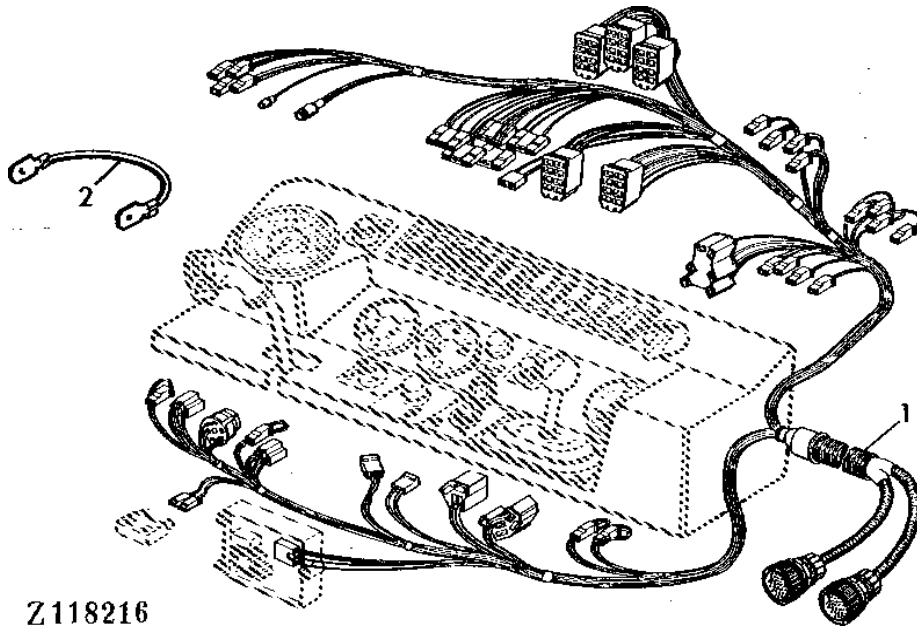
KEY	PART NO.	PART NAME	QTY	SERIAL NO.	4 4 4 3 4 5 3 H 5 Y	REMARKS
1	AZ37882	SWITCH	1		X X	
2	14M7028	NUT	AR		X X	M5
3	12M7011	LOCK WASHER	AR		X X	5.100 MM
4	21M7140	SCREW	AR		X X	M5 X10
5	AZ37480	GRIP	1		X	(SUB AZ45457)
	AZ45457	GRIP	1		X	
6	AZ37481	GRIP	1		X	(SUB AZ45456)
	AZ45456	GRIP	1		X	
7	AZ40087	SWITCH	1		X X	
8	19M8078	CAP SCREW	AR		X X	M4 X 16
9	12M7031	LOCK WASHER	AR		X X	4.100 MM
10	AZ40086	SWITCH	1		X	
11	24M7117	WASHER	AR		X X	4.300 X 9 X 0.800 MM
12	Z44598	RETAINER	AR		X X	
13	AZ45466	KIT	1		X X	

1H17

ELECTRICAL SYSTEM

Z118216 -UN-01JAN94

WIRING HARNESS - INSTRUMENT PANEL



Z118216

4
4
4 3
4 5
3 H
5 Y

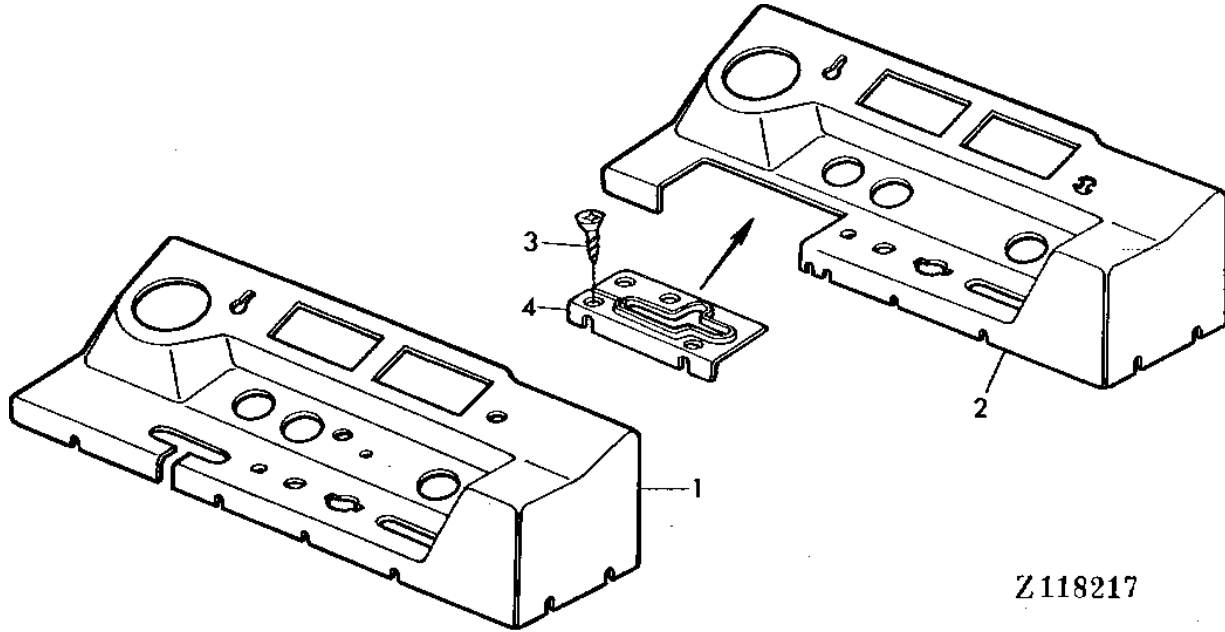
KEY	PART NO.	PART NAME	QTY	SERIAL NO.	REMARKS
1	AZ41210	WIRING HARNESS	1	X	(SUB AZ42853)
	AZ42853	WIRING HARNESS	1	X X	
2	AZ30453	WIRING LEAD	1	X X	

1H18

ELECTRICAL SYSTEM

Z118217 -UN-01JAN94

INSTRUMENT PANEL



Z118217

4
4
4 3
4 5
3 H
5 Y

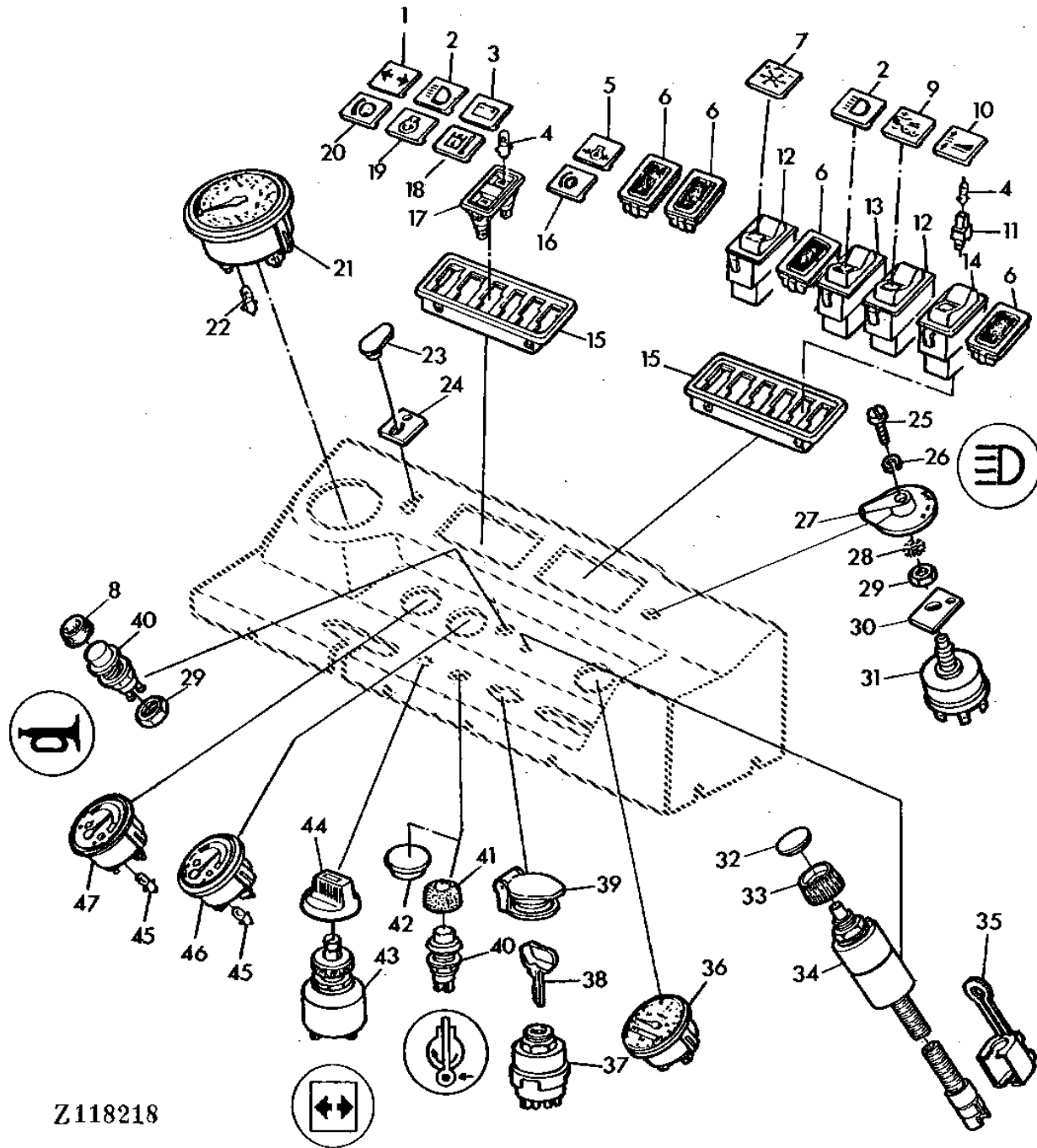
KEY	PART NO.	PART NAME	QTY	SERIAL NO.	REMARKS
1	Z52373	INSTRUMENT PANEL	1	X	
2	Z54371	INSTRUMENT PANEL	1	X	
3	37M7192	SCREW	AR	X	4,8 X 13 MM
4	Z51201	STOP	1	X	

1H19

ELECTRICAL SYSTEM

Z118218 -UN-01JAN94

INSTRUMENT PANEL



Z118218

1H20

ELECTRICAL SYSTEM

INSTRUMENT PANEL - CONTINUED

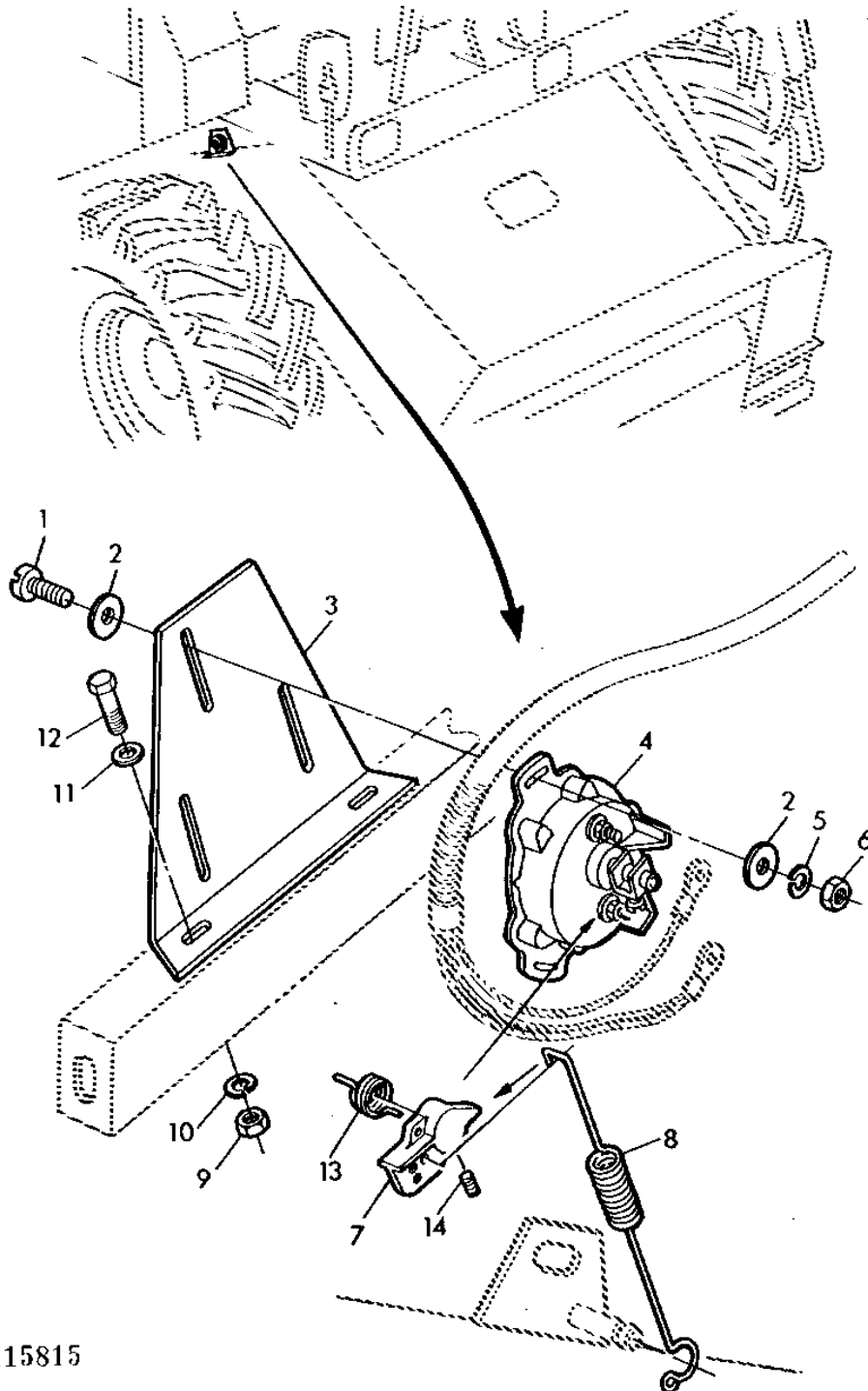
KEY	PART NO.	PART NAME	QTY	SERIAL NO.	4 4 4 3 4 5 3 H 5 Y	REMARKS
1	Z48181	PUSH BUTTON	1		X X	
2	Z48183	PUSH BUTTON	2		X X	
3	Z48184	PUSH BUTTON	4		X X	
4	57M7102	BULB	AR		X X	W5/1,2 - 12V 1,2W
5	Z48185	PUSH BUTTON	1		X X	
6	Z45954	COVER	4		X X	
7	Z45957	PUSH BUTTON	1		X X	
8	T55501	CAP	1		X X	
9	Z48175	PUSH BUTTON	1		X X	
10	Z45956	PUSH BUTTON	1		X X	
11	AZ36339	SOCKET	4		X X	
12	AZ36344	TOGGLE SWITCH	2		X X	
13	AZ41205	TOGGLE SWITCH	1		X X	
14	AZ36340	TOGGLE SWITCH	1		X X	
15	Z45961	FRAME	2		X X	
16	Z48190	PUSH BUTTON	1		X X	
17	AZ37476	INDICATOR LIGHT	4		X X	
18	Z48188	PUSH BUTTON	1		X X	
19	Z48187	PUSH BUTTON	1		X X	
20	Z48186	PUSH BUTTON	1		X X	
21	AZ42034	TACHOMETER	1		X X	
22	57M6277	BULB	1		X X	H 12V 2W
23	Z44529	PLUG	1		X X	AR
24	Z53063	STRAP	1		X X	
25	21H996	SCREW	1		X X	0.164" X 3/8"
26	12H315	LOCK WASHER	1		X X	0.164"
27	AR54445	KNOB	1		X X	
28	12H292	LOCK WASHER	1		X X	1/2"
29	A4655R	NUT	2		X X	
30	Z52403	PLATE	1		X X	
31	AR48724	LIGHT SWITCH	1		X X	
32	Z45952	COVER	1		X X	
33	AZ36331	KNOB	1		X X	
34	AZ36332	RHEOSTAT	1		X X	
35	Z44598	RETAINER	1		X X	
36	AZ32937	HOUR METER	1		X X	
37	AZ34954	SWITCH	1		X X	
38	Z44576	KEY	1		X X	
39	AZ34956	TERMINAL NIPPLE	1		X X	
40	R39554	SWITCH	2		X X	
41	T55585	CAP	1		X X	
42	Z39174	PLUG	1		X X	AR
43	AZ36356	SWITCH	1		X X	
44	Z53066	KNOB	1		X X	
45	57M6343	BULB	AR		X X	J 12V 2W
46	AL24294	GAUGE	1		X X	
47	AL24526	TEMPERATURE GAUGE	1		X X	

1H21

ELECTRICAL SYSTEM

Z115815 -UN-01JAN94

CUTTING PLATFORM HEIGHT INDICATOR



Z115815

1H22

ELECTRICAL SYSTEM

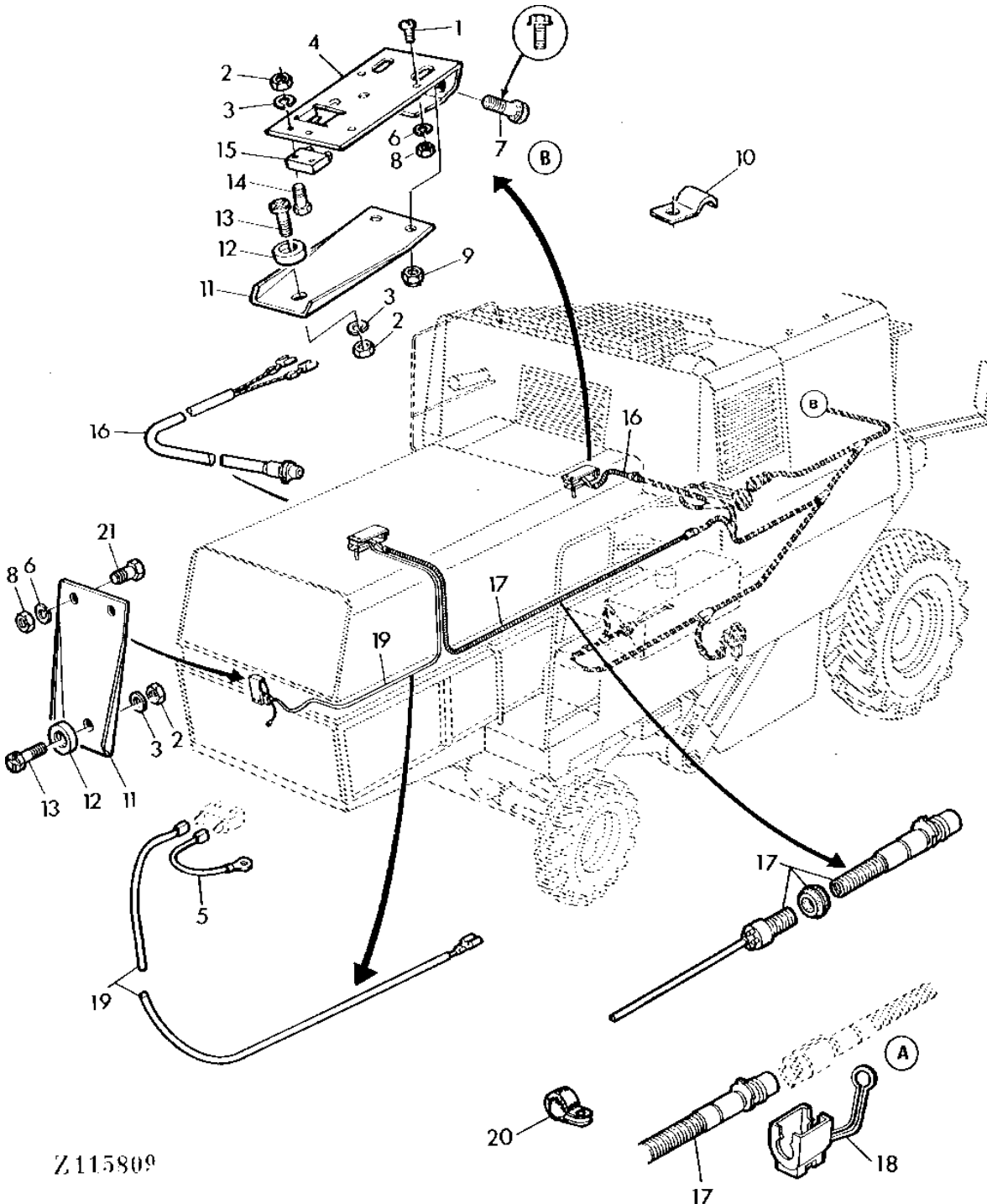
CUTTING PLATFORM HEIGHT INDICATOR - CONTINUED

KEY	PART NO.	PART NAME	QTY	SERIAL NO.	4 4 4 3 4 5 3 H 5 Y	REMARKS
1	21M7033	SCREW	3		X X	M4 X 16
2	24M7117	WASHER	3		X X	4.300 X 9 X 0.800 MM
3	Z44572	RETAINER	1		X X	
4	AZ35028	SENDER	1		X X	
5	12M7031	LOCK WASHER	3		X X	4.100 MM
6	14M7139	NUT	3		X X	M4
7	Z51008	LEVER	1		X X	
8	Z44575	EXTENSION SPRING	1		X X	
9	14M7027	NUT	2		X X	M6
10	12M7012	LOCK WASHER	2		X X	6.100 MM
11	Z26250	WASHER	2		X X	
12	19M3118	CAP SCREW	2		X X	M6 X 20
13	Z51007	TORSION SPRING	1		X	(SUB Z53315)
	Z53315	TORSION SPRING	1		X X	
14	22M7079	SET SCREW	1		X X	M6 X 6

1H23

Z115809 -UN-01JAN94

STRAW WALKER WARNING SYSTEM



Z115809

1H24

ELECTRICAL SYSTEM

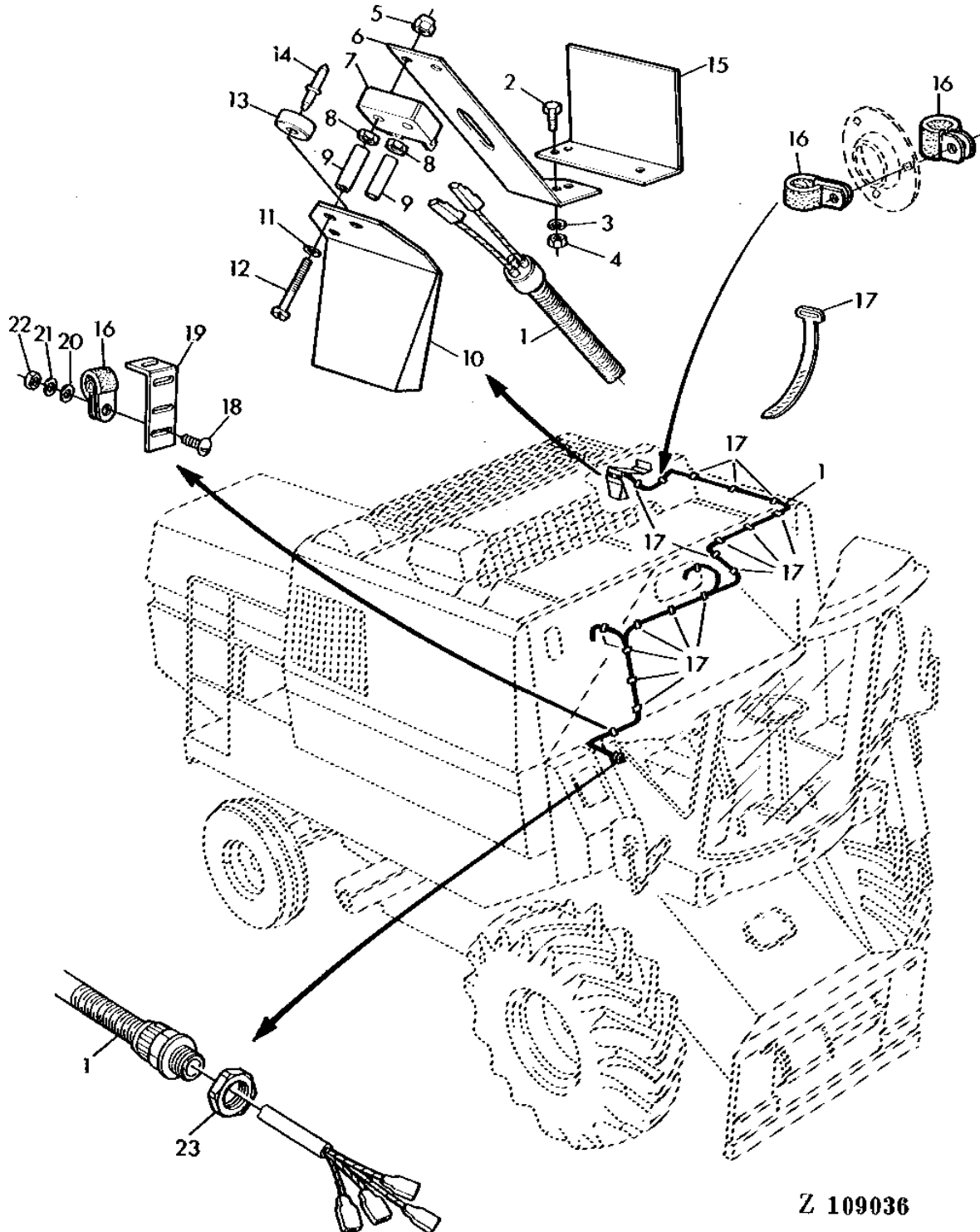
STRAW WALKER WARNING SYSTEM - CONTINUED

KEY	PART NO.	PART NAME	QTY	SERIAL NO.	4 4 4 3 4 5 3 H 5 Y	REMARKS
1	21M7031	SCREW	AR		X X	M6 X 15
2	14M7139	NUT	AR		X X	M4
3	12M7031	LOCK WASHER	AR		X X	4.100 MM
4	Z52074	RETAINER	AR		X X	
5	AZ34421	POWER CORD	1		X X	
6	12M7012	LOCK WASHER	AR		X X	6.100 MM
7	Z38459	CAP SCREW	AR		X X	
8	14M7027	NUT	AR		X X	M6
9	14M7165	LOCK NUT	AR		X X	M6
10	Z22588	CLAMP	3		X X	
11	Z53065	SPRING	1		X X	
12	L55078	MAGNET	AR		X X	
13	21M7137	SCREW	AR		X X	M4 X 10
14	19M8078	CAP SCREW	AR		X X	M4 X 16
15	AZ34292	SOLENOID	AR		X X	
16	AZ34924	POWER CORD	1		X X	
17	AZ34926	POWER CORD	1		X X	
18	Z44598	RETAINER	1		X X	
19	AZ34412	POWER CORD	1		X X	(A), INCLUDES Z40757
20	R46414	CLAMP	AR		X X	
21	19M6614	CAP SCREW	AR		X X	M6 X 12

(A) ONLY FOR COMBINES WITH CHOPPER

Z109036 -UN-01JAN94

GRAIN TANK FILL INDICATOR



Z 109036

112

ELECTRICAL SYSTEM

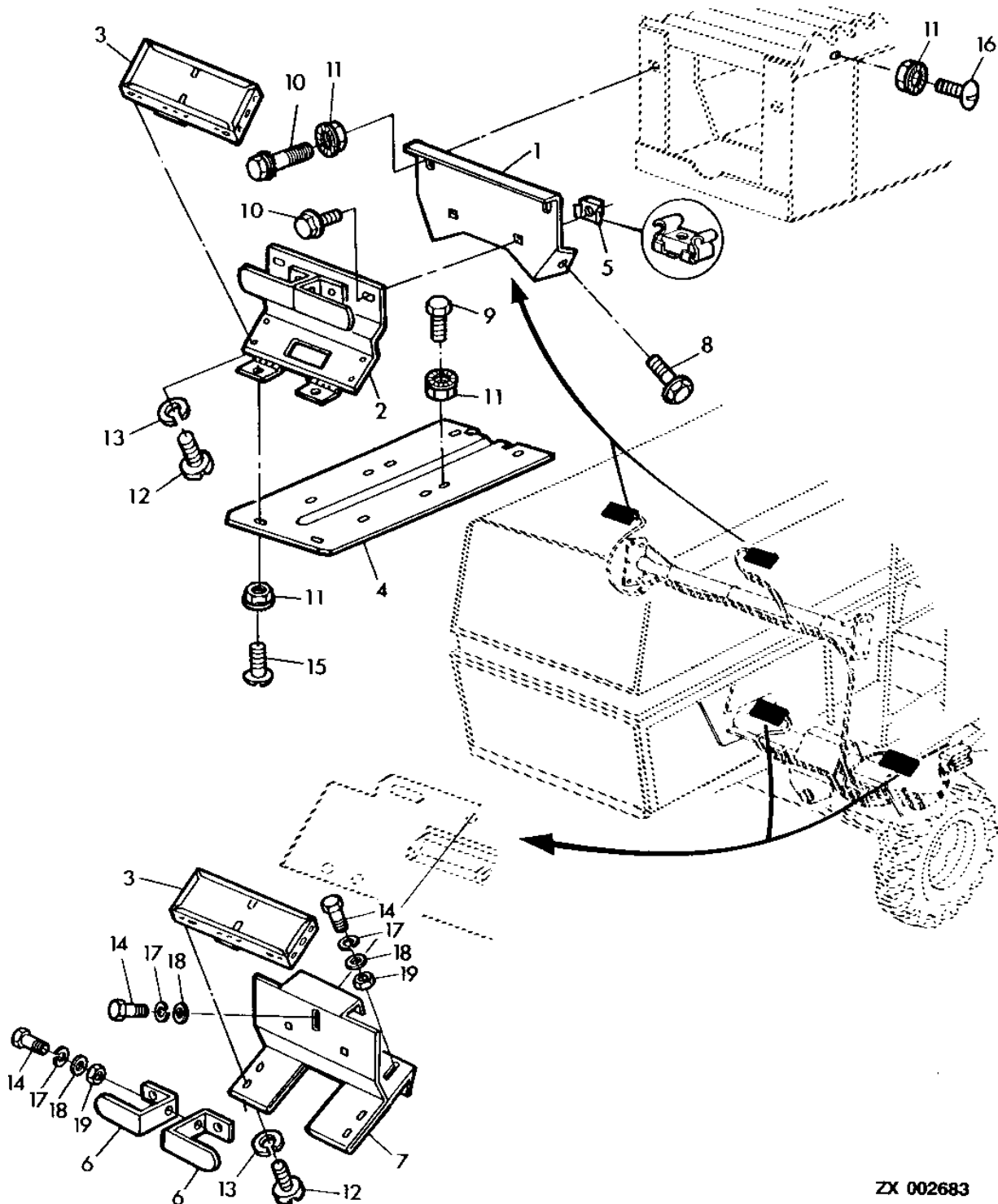
GRAIN TANK FILL INDICATOR - CONTINUED

KEY	PART NO.	PART NAME	QTY	SERIAL NO.	4 4 4 3 4 5 3 H 5 Y	REMARKS
1	AZ34974	WIRING HARNESS	1		X	
	AZ43052	WIRING HARNESS	1		X	
2	19M7162	CAP SCREW	6		X X	M8 X 16
3	12M7008	LOCK WASHER	6		X X	8.100 MM
4	14M7029	NUT	6		X X	M8
5	14M7403	LOCK NUT	6		X X	M4
6	Z43322	RETAINER	3		X X	
7	AZ33429	SOLENOID	3		X X	
8	14M7139	NUT	6		X X	M4
9	Z43323	SPACER	6		X X	
10	Z43320	DEFLECTOR	3		X X	
11	24M7117	WASHER	6		X X	4.300 X 9 X 0.800 MM
12	21M7333	SCREW	6		X X	M4 X 45
13	L55078	MAGNET	3		X X	
14	Z41861	RIVET	3		X X	
15	Z43324	RETAINER	3		X X	
16	AH80916	CLIP	3		X X	
	H77358	CLIP	1		X	(FOR AZ43052)
17	R44302	TIE BAND	17		X X	
18	21M7127	SCREW	1		X X	M6 X 18
19	Z42773	LOOM	1		X X	
20	Z26250	WASHER	1		X X	
21	12M7012	LOCK WASHER	1		X X	6.100 MM
22	14M7027	NUT	1		X X	M6
23	Z44593	NUT	1		X X	

113

ZX002683 -UN-01JAN94

HARVESTRAK SENSORS



ZX 002683

114

ELECTRICAL SYSTEM

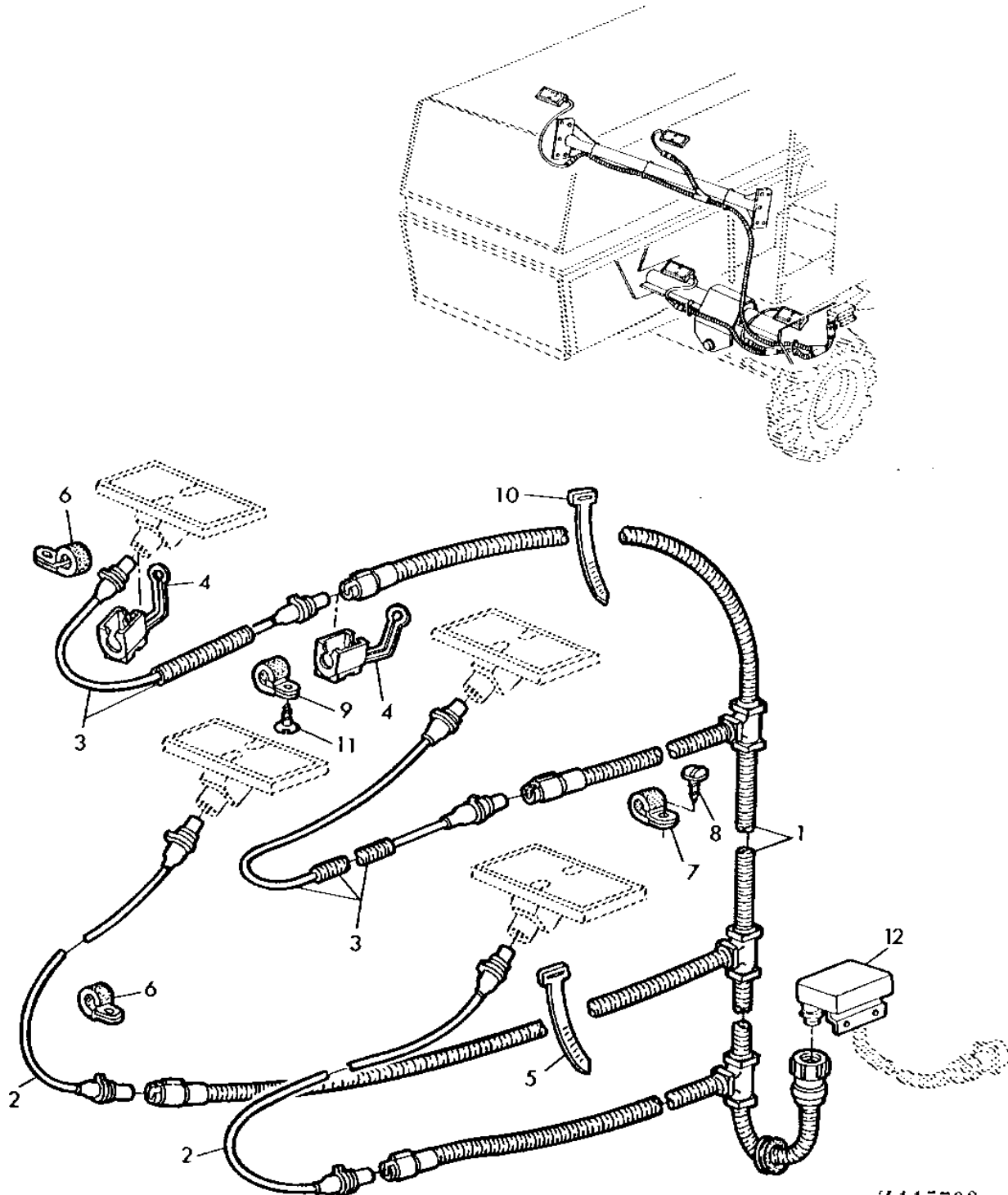
HARVESTRAK SENSORS - CONTINUED

KEY	PART NO.	PART NAME	QTY	SERIAL NO.	4 4 4 3 4 5 3 H 5 Y	REMARKS
1	Z42764	RETAINER	2		X X	
2	AZ37749	RETAINER	2		X X	
3	AH109794	SENSOR	4		X X	
4	Z47467	GUARD	2		X X	
5	AZ37622	NUT	4		X X	
6	Z45368	DEFLECTOR	2		X X	
7	Z47969	SHIELD	2		X X	(SUB Z55661)
	Z55661	RETAINER	2		X X	
8	19M8362	CAP SCREW	AR		X X	M6 X 16
9	19M7302	CAP SCREW	AR		X X	M6 X 8
10	Z38459	CAP SCREW	4		X X	
11	Z41039	NUT	AR		X X	
12	21H1403	SCREW	AR		X X	0.190" X 1/2"
13	12M7011	LOCK WASHER	AR		X X	5.100 MM
14	19M7159	CAP SCREW	AR		X X	M6 X 15
15	21M7031	SCREW	AR		X X	M6 X 15
16	21M7087	SCREW	AR		X X	M6 X 12
17	12M7012	LOCK WASHER	AR		X X	6.100 MM
18	Z26250	WASHER	AR		X X	
19	14M7027	NUT	AR		X X	M6

115

Z115793 -UN-01JAN94

HARVESTRAK WIRING HARNESSES



Z115793

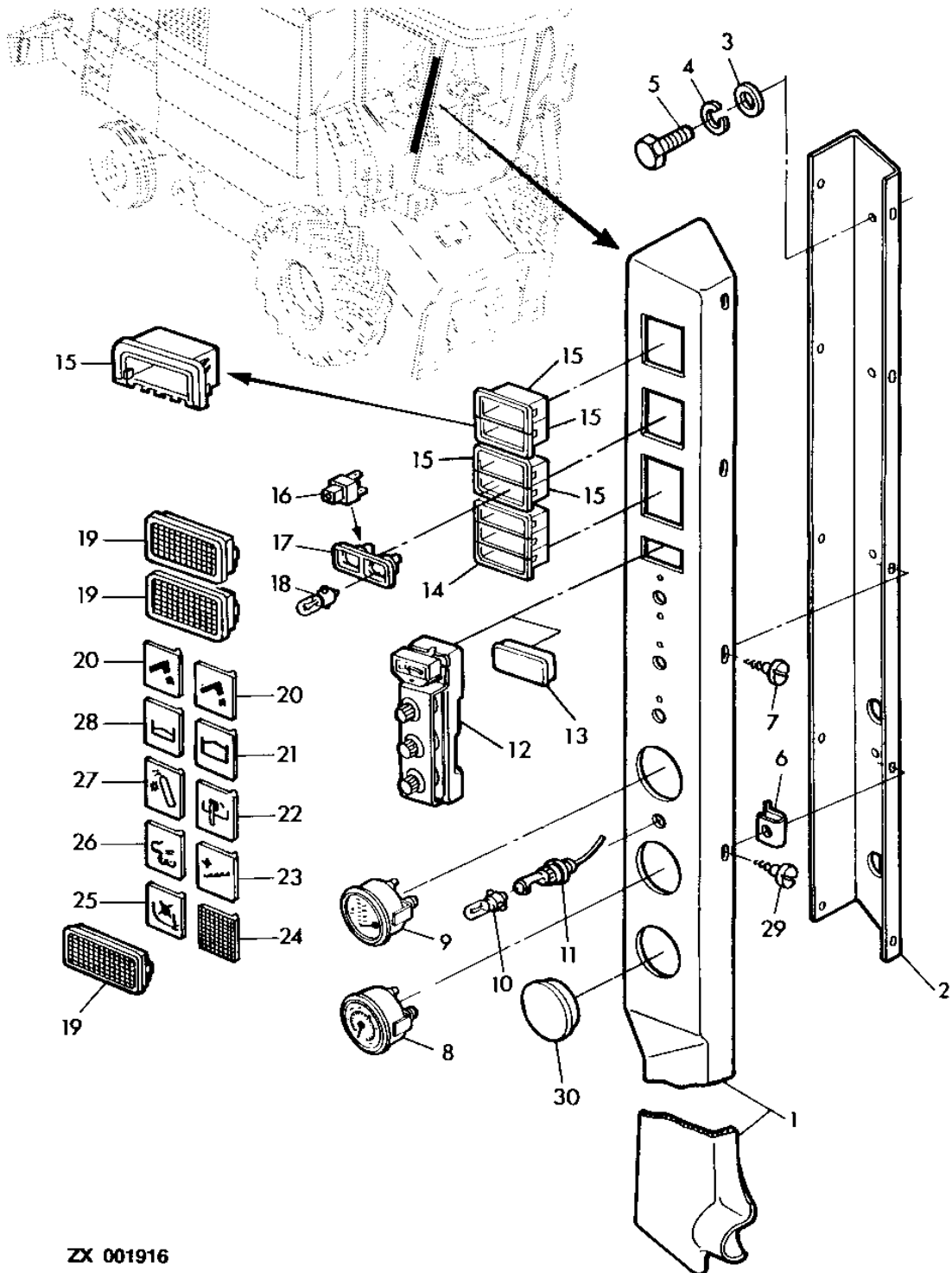
116

ELECTRICAL SYSTEM

HARVESTRAK WIRING HARNESES - CONTINUED

KEY	PART NO.	PART NAME	QTY	SERIAL NO.	4 4 4 3 4 5 3 H 5 Y	REMARKS
1	AZ38060	WIRING HARNESS	1		X X	
2	AZ38026	CABLE	2		X X	
3	AZ38027	WIRING HARNESS	2		X X	
4	Z44598	RETAINER	8		X X	
5	R44302	TIE BAND	AR		X X	
6	Z22069	CLAMP	AR		X X	
7	Z22071	CLAMP	AR		X X	
8	37M7180	SCREW	AR		X X	4,8 X16
9	Z22064	CLAMP	AR		X X	
10	Z34568	CLAMP	AR		X X	
11	37M7115	SCREW	AR		X X	4,8 X13
12	AH109793	PRINTED CIRCUIT	1		X X	

INFORMATION PANEL



ZX 001916

118

ELECTRICAL SYSTEM

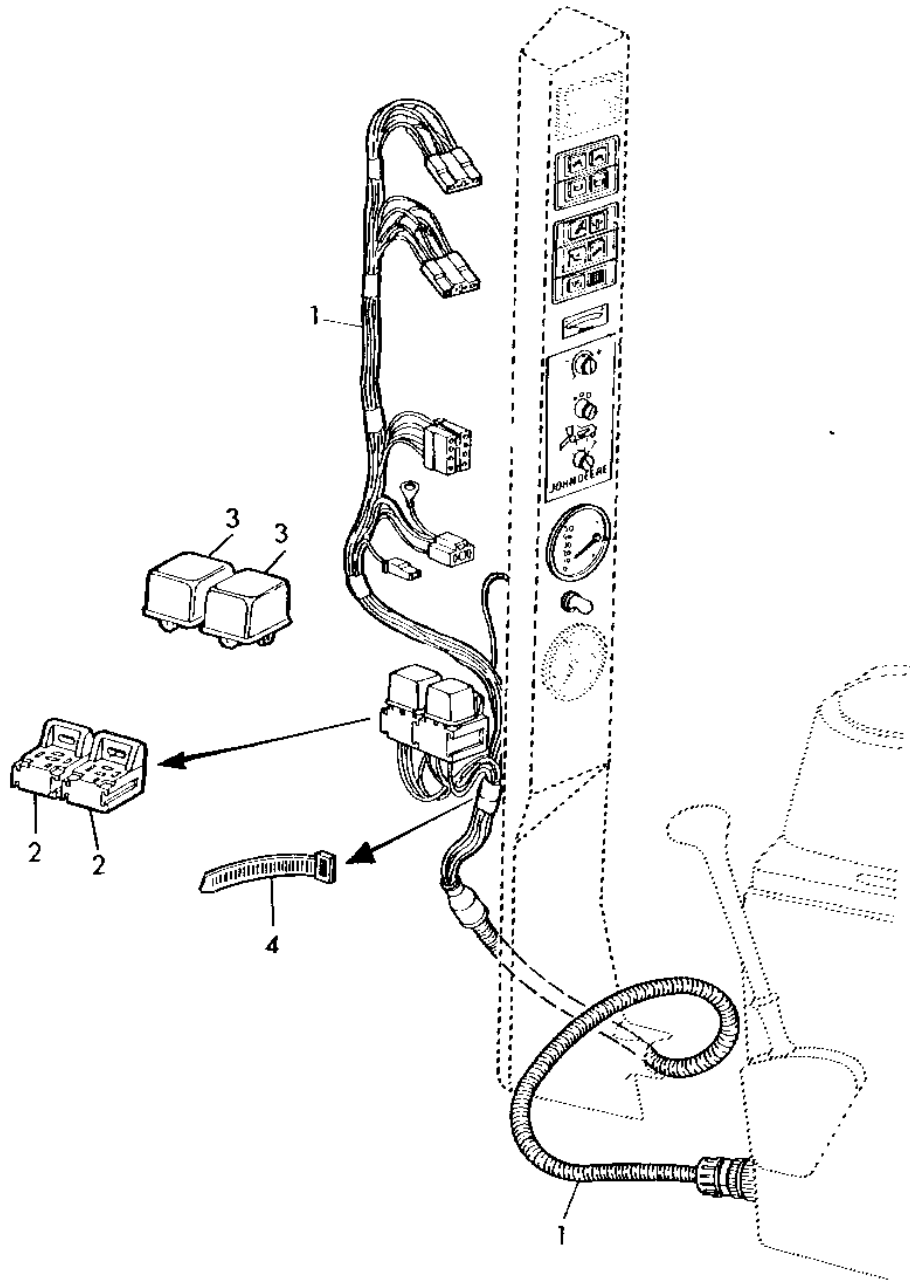
INFORMATION PANEL - CONTINUED

KEY	PART NO.	PART NAME	QTY	SERIAL NO.	4 4 4 3 4 5 3 H 5 Y	REMARKS
1	Z46943	INSTRUMENT PANEL, W/SUPPOR	1		X X	(SUB Z57784)
	Z57784	INSTRUMENT PANEL, W/SUPPOR	1		X X	
2	Z42591	RETAINER	1		X X	
3	24M7087	WASHER	5		X X	5.500 X 10 X 1 MM
4	12M7011	LOCK WASHER	5		X X	5.100 MM
5	19M7640	CAP SCREW	5		X X	M5 X 12
6	T73757	NUT	2		X X	
7	37M7118	SCREW	2		X X	5,5 X 13MM
8	AZ39154	GAUGE	1		X X	
9	AZ32393	GAUGE	1		X X	
10	57M6277	BULB	1		X X	H 12V 2W
11	AZ37477	LAMP	1		X X	
12	AZ32397	SENSOR	1		X X	
13	Z42597	PLUG	1		X X	
14	Z46942	FRAME	1		X X	
15	Z46941	FRAME	4		X X	
16	AL36535	SOCKET	AR		X X	
17	AZ37476	INDICATOR LIGHT	5		X X	
18	57M6343	BULB	AR		X X	J 12V 2W
19	Z45954	COVER	AR		X X	
20	Z48218	PUSH BUTTON	2		X X	
21	Z48193	PUSH BUTTON	1		X X	
22	Z48179	PUSH BUTTON	1		X X	
23	Z48180	PUSH BUTTON	1		X X	
24	Z48191	PUSH BUTTON	AR		X X	
25	Z48176	PUSH BUTTON	1		X X	
26	Z48178	PUSH BUTTON	1		X X	
27	Z48177	PUSH BUTTON	1		X X	
28	Z48192	PUSH BUTTON	1		X X	
29	21M7389	SCREW	AR		X X	M3 X 60
30	Z42760	PLUG	1		X X	

119

Z115814 -UN-01JAN94

CABLE-HARVEST PERFORMANCE MONITOR-INFO PANEL



Z115814

1110

ELECTRICAL SYSTEM

CABLE-HARVEST PERFORMANCE MONITOR-INFO PANEL - CONTINUED

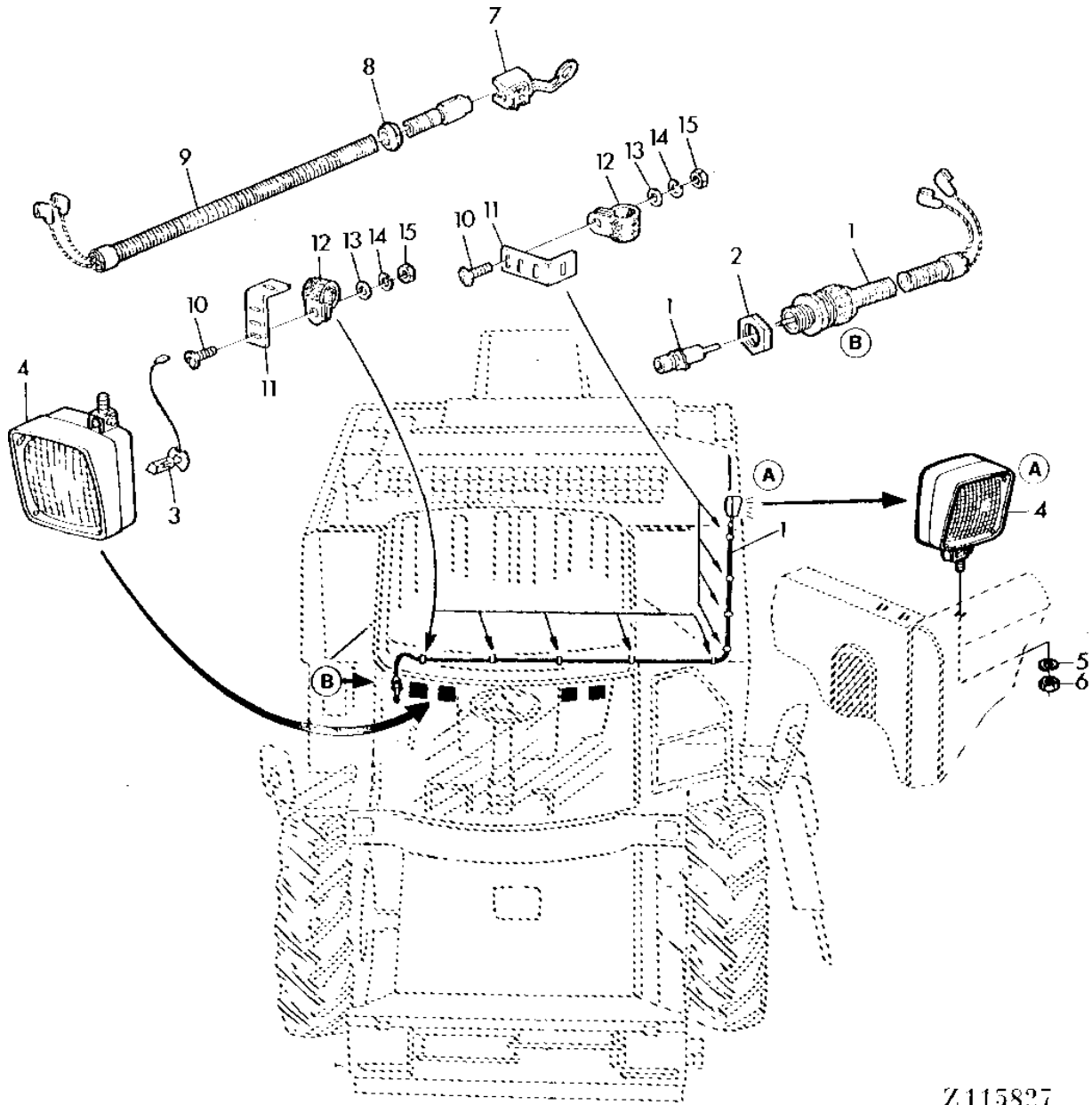
KEY	PART NO.	PART NAME	QTY	SERIAL NO.	4 4 4 3 4 5 3 H 5 Y	REMARKS
1	AZ41487	WIRING HARNESS	1		X X	INCL.KEY (2)2,(SUB AZ45335)
	AZ45335	WIRING HARNESS	1		X X	
2	AZ26995	HOLDER	2		X X	
3	AZ32741	DIODE	2		X X	
4	R44302	TIE BAND	1		X X	

1111

ELECTRICAL SYSTEM

Z115827 -UN-01JAN94

FIELD LIGHTS



Z115827

1112

ELECTRICAL SYSTEM

FIELD LIGHTS - CONTINUED

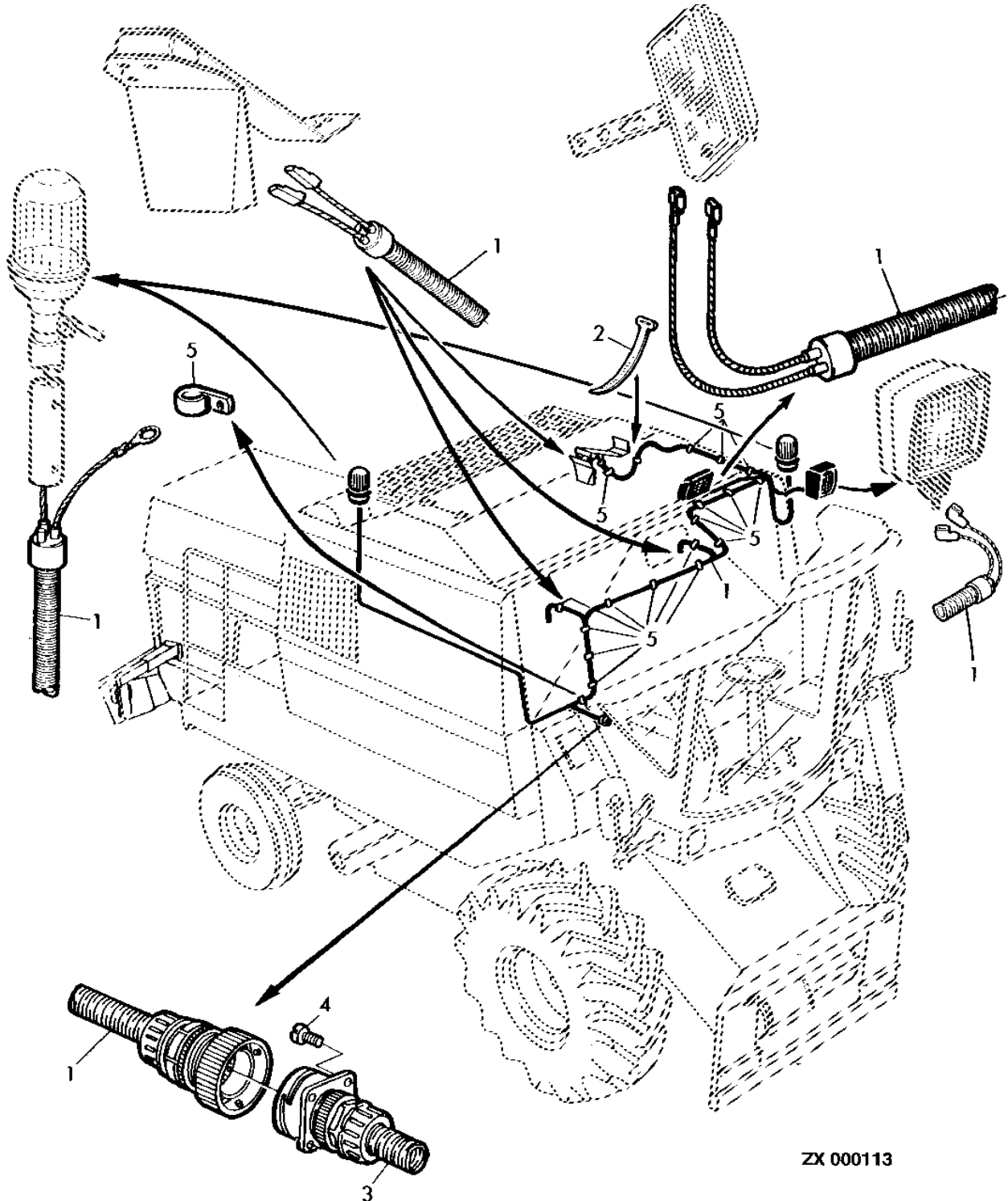
KEY	PART NO.	PART NAME	QTY	SERIAL NO.	4 4 4 3 4 5 3 H 5 Y	REMARKS
1	AZ34940	POWER CORD	1		X	
	AZ43052	WIRING HARNESS	1		X	
2	Z44593	NUT	1		X X	
3	Z26998	BULB	1		X	(SUB AT130104)
	AT130104	BULB	1		X X	
4	AL64937	FLOODLAMP	5		X X	
5	12M7013	LOCK WASHER	5		X X	10.200 MM
6	14M7140	NUT	5		X X	M10
7	Z44598	RETAINER	3		X X	
8	Z42240	GROMMET	2		X X	
9	AZ35439	WIRING HARNESS	2		X X	
10	21M7127	SCREW	9		X X	M6 X 18
11	Z42773	LOOM	9		X X	
12	AH80916	CLIP	9		X X	
	H77358	CLIP	1		X	(FOR AZ43052)
13	Z26250	WASHER	10		X X	
14	12M7012	LOCK WASHER	10		X X	6.100 MM
15	14M7027	NUT	9		X X	M6

1113

ELECTRICAL SYSTEM

ZX000113 -UN-15MAY96

GRAIN TANK WIRING HARNESS



ZX 000113

1114

ELECTRICAL SYSTEM

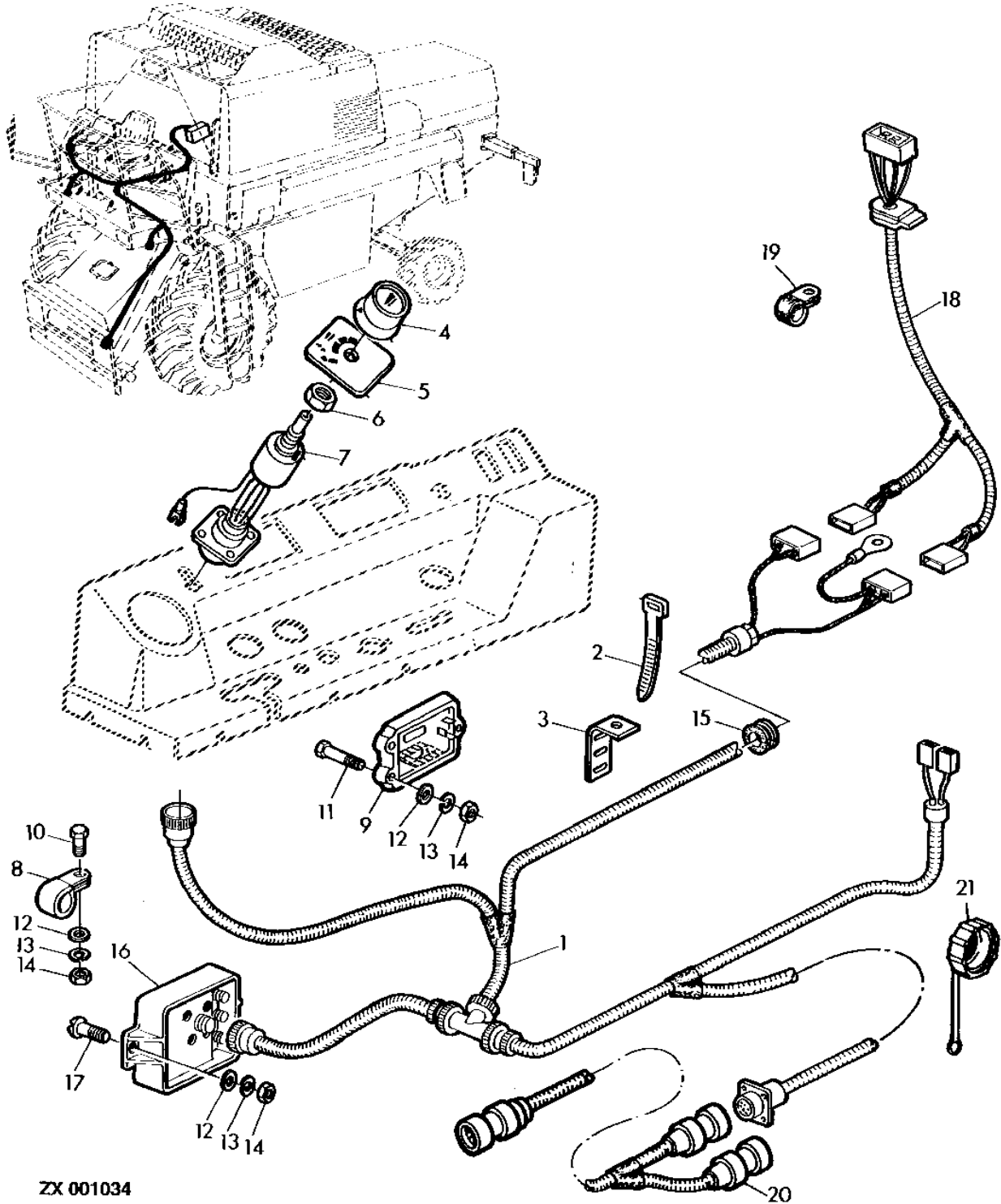
GRAIN TANK WIRING HARNESS - CONTINUED

KEY	PART NO.	PART NAME	QTY	SERIAL NO.	4 4 4 3 4 5 3 H 5 Y	REMARKS
1	AZ43052	WIRING HARNESS	1		X	
2	R44302	TIE BAND	AR		X	
3	AZ43050	WIRING HARNESS	1		X	
4	37M7119	SCREW	4		X	4,8 X 13 MM
5	R72659	CLAMP	AR		X	

1115

ZX001034 -UN-11JUL96

DIAL-A-MATIC ELECTRICAL PARTS



ZX 001034

1116

ELECTRICAL SYSTEM

DIAL-A-MATIC ELECTRICAL PARTS - CONTINUED

KEY	PART NO.	PART NAME	QTY	SERIAL NO.	4 4 4 3 4 5 3 H 5 Y	REMARKS
1	AZ35009	WIRING HARNESS	1		X X	
2	R44302	TIE BAND	AR		X X	
3	Z42773	LOOM	4		X X	
4	AH104380	KNOB	1		X X	
5	Z43660	DECAL	1		X X	
6	H106246	LOCK NUT	1		X X	
7	AH108480	SWITCH	1		X X	
8	R46415	CLAMP	AR		X	I.D. = 12,7MM (1/2"), (SUB H75541)
	H75541	CLAMP	AR		X X	
	R46414	CLAMP	AR		X X	I.D. = 15,7 MM(0.62")
9	AH108414	PRINTED CIRCUIT	1		X X	
10	19M7077	CAP SCREW	AR		X X	M6 X 20
11	19M7177	CAP SCREW	3		X X	M6 X 35
12	Z26250	WASHER	AR		X X	
13	12M7012	LOCK WASHER	AR		X X	6.100 MM
14	14M7027	NUT	AR		X X	M6
15	N157296	GROMMET	1		X X	
16	AH111485	CONTROL	1		X X	
17	21M7085	SCREW	2		X X	M6 X 20
18	AZ40152	WIRING HARNESS	1		X X	
19	H77358	CLIP	4		X X	
20	AH128923	WIRING HARNESS	1		X X	(SUB AZ44326, THIS APPLICATION ONLY)
	AZ44326	WIRING HARNESS	1		X X	(SUB AZ45960)
	AZ45960	WIRING HARNESS	1		X X	
21	AZ44327	CLAMP	1		X X	O.D. = 23,6 MM (0.93")
	AZ44328	CLAMP	1		X X	O.D. = 32,9 MM (1.30")

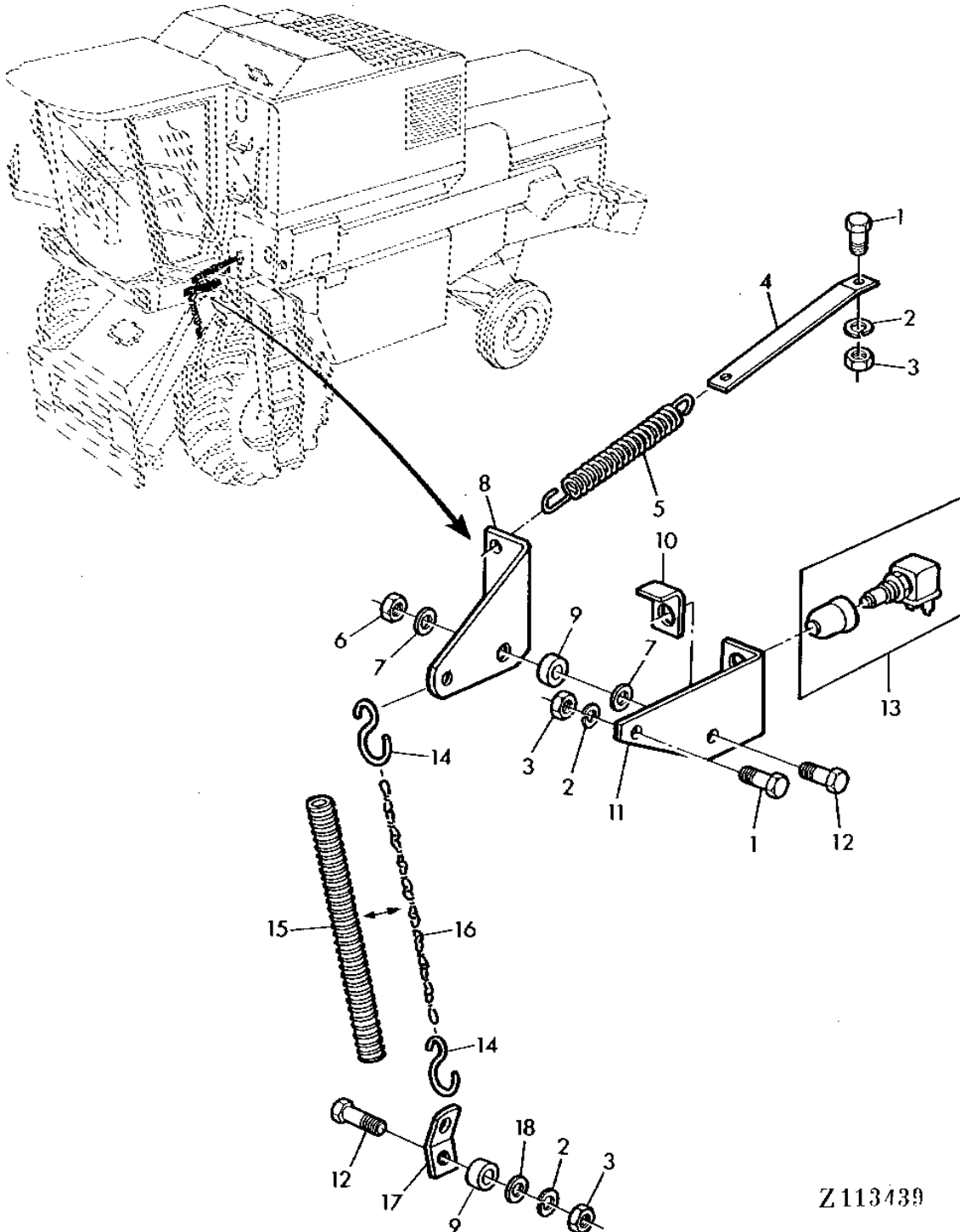
1117

ELECTRICAL SYSTEM

Z113439

-UN-01JAN94

DIAL-A-MATIC MECHANICAL PARTS



Z113439

1118

ELECTRICAL SYSTEM

DIAL-A-MATIC MECHANICAL PARTS - CONTINUED

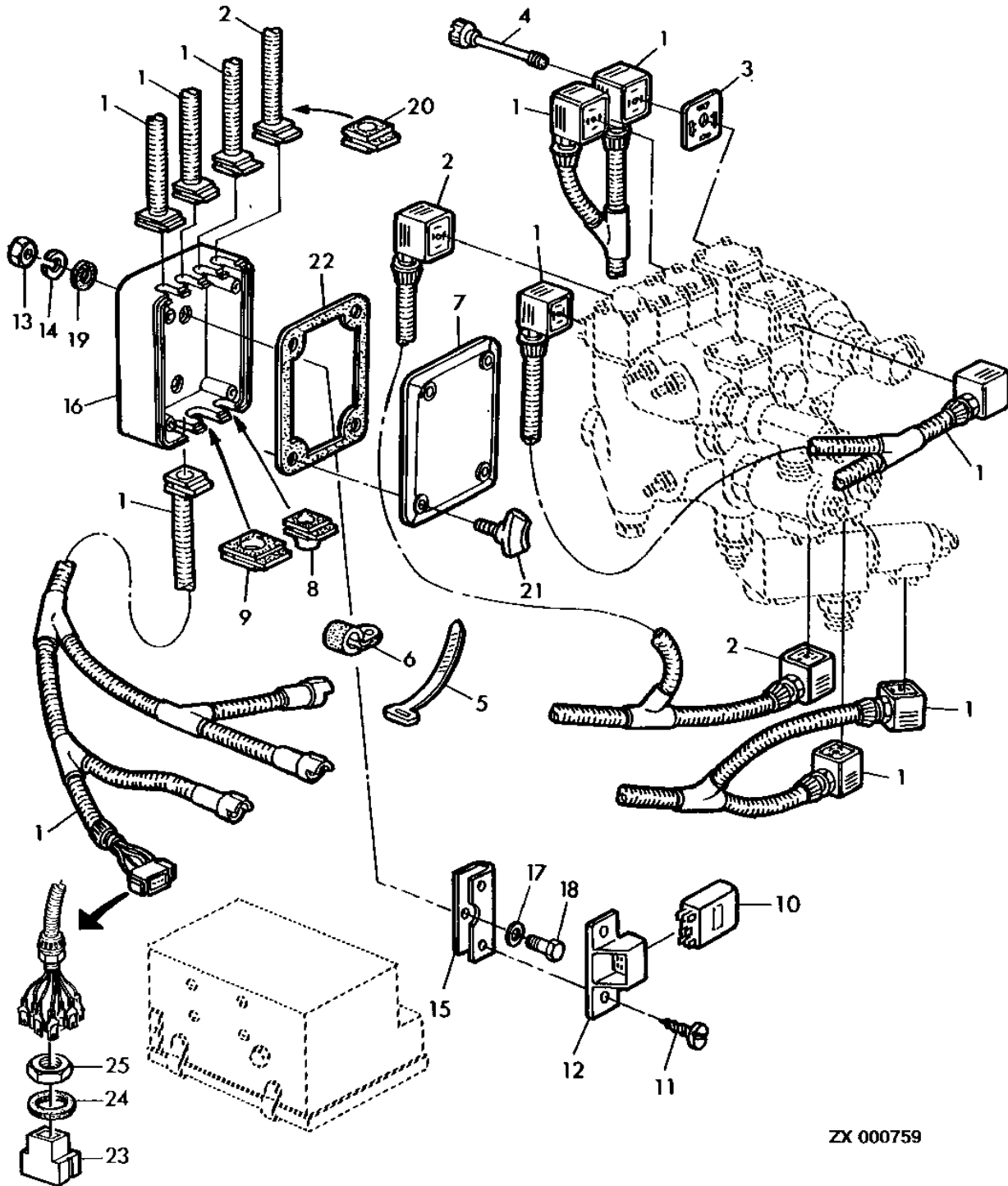
KEY	PART NO.	PART NAME	QTY	SERIAL NO.	4 4 4 3 4 5 3 H 5 Y	REMARKS
1	19M7375	CAP SCREW	2		X X	M6 X 18
2	12M7012	LOCK WASHER	AR		X X	6.100 MM
3	14M7027	NUT	AR		X X	M6
4	Z43659	STRAP	1		X X	
5	17047	SPRING	1		X X	
6	14M7165	LOCK NUT	AR		X X	M6
7	24M7012	WASHER	AR		X X	6.400 X 24 X 1.200 MM
8	H88984	ARM	1		X X	
9	Z43657	BUSHING	2		X X	
10	H89514	STOP	1		X X	
11	Z43658	RETAINER	1		X X	
12	19M7286	CAP SCREW	2		X X	
13	AH78765	SWITCH	1		X X	
14	H94623	HOOK	2		X X	
15	H89522	CONDUIT	1		X X	
16	AH90798	LINK CHAIN	1		X X	
17	H89870	STOP	1		X X	
18	Z26250	WASHER	1		X X	

1119

ELECTRICAL SYSTEM

ZX000759 -UN-11JUL96

DISTRIBUTOR BOX RELAY/DIODE BOX.CABLE SOLENOIDS



ZX 000759

1120

ELECTRICAL SYSTEM

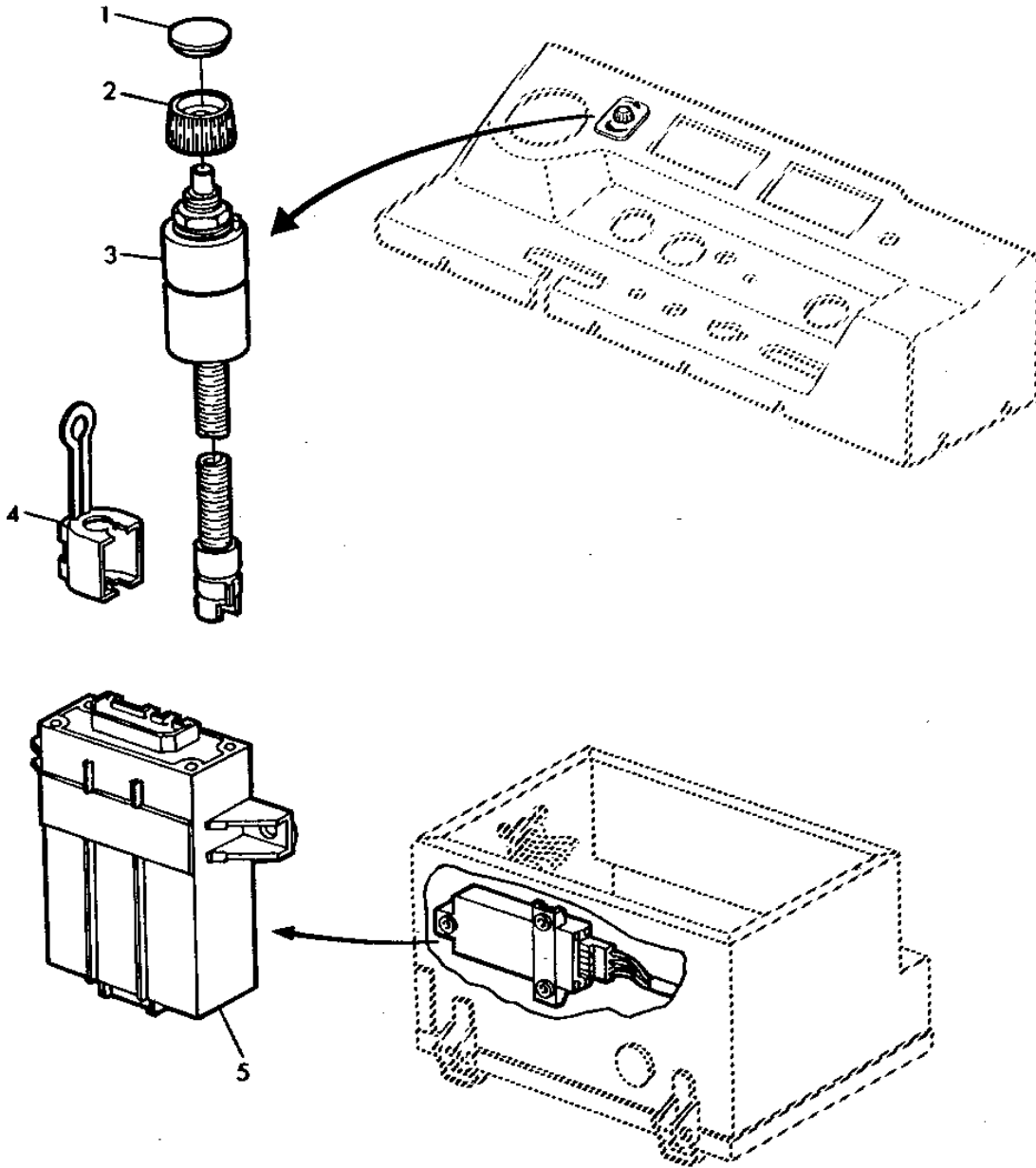
DISTRIBUTOR BOX RELAY/DIODE BOX, CABLE SOLENOIDS - CONTINUED

KEY	PART NO.	PART NAME	QTY	SERIAL NO.	4 4 4 3 4 5 3 H 5 Y	REMARKS
1	AZ39071	WIRING HARNESS	1		X X	(ALSO ORDER 57M7133 AND Z44580 AND Z44581)
2	AZ39069	WIRING HARNESS	1		X X	
3	Z48304	GASKET	AR		X X	
4	Z48305	KNURLED THUMB SCREW	AR		X X	
5	R44302	TIE BAND	AR		X X	
6	R46415	CLAMP	AR		X	(SUB H75541)
	H75541	CLAMP	AR		X X	
7	Z44526	COVER	1		X X	
8	Z44056	GROMMET	1		X X	
9	Z44058	GROMMET	1		X X	
10	AZ39070	RELAY	1		X X	(SUB AZ44718)
	AZ44718	RELAY	1		X X	
11	37M7011	SCREW	2		X X	4,8 X 9,5MM
12	HOUSING	1		X X	NOT SUPPLIED SEPARATELY
13	14M7027	NUT	2		X X	M6
14	12M7012	LOCK WASHER	2		X X	6.100 MM
15	Z48288	CLEVIS	1		X X	
16	Z44527	JUNCTION BLOCK	1		X X	
17	24M7100	WASHER	1		X X	6.600 X 22 X 2 MM
18	19M7077	CAP SCREW	2		X X	M6 X 20
19	Z44062	WASHER	2		X X	
20	Z44059	GROMMET	4		X X	
21	21M7344	SCREW	4		X X	M6 X 25
22	Z44525	GASKET	1		X X	
23	57M7133	RECEPTACLE CONNECTOR BODY	1		X X	(FOR AZ39071)
24	Z44580	GASKET	1		X X	(FOR AZ39071)
25	Z44581	NUT	1		X X	(FOR AZ39071)

1121

Z115808 -UN-01JAN94

HEADER HEIGHT RESUME



Z115808

1122

ELECTRICAL SYSTEM

HEADER HEIGHT RESUME - CONTINUED

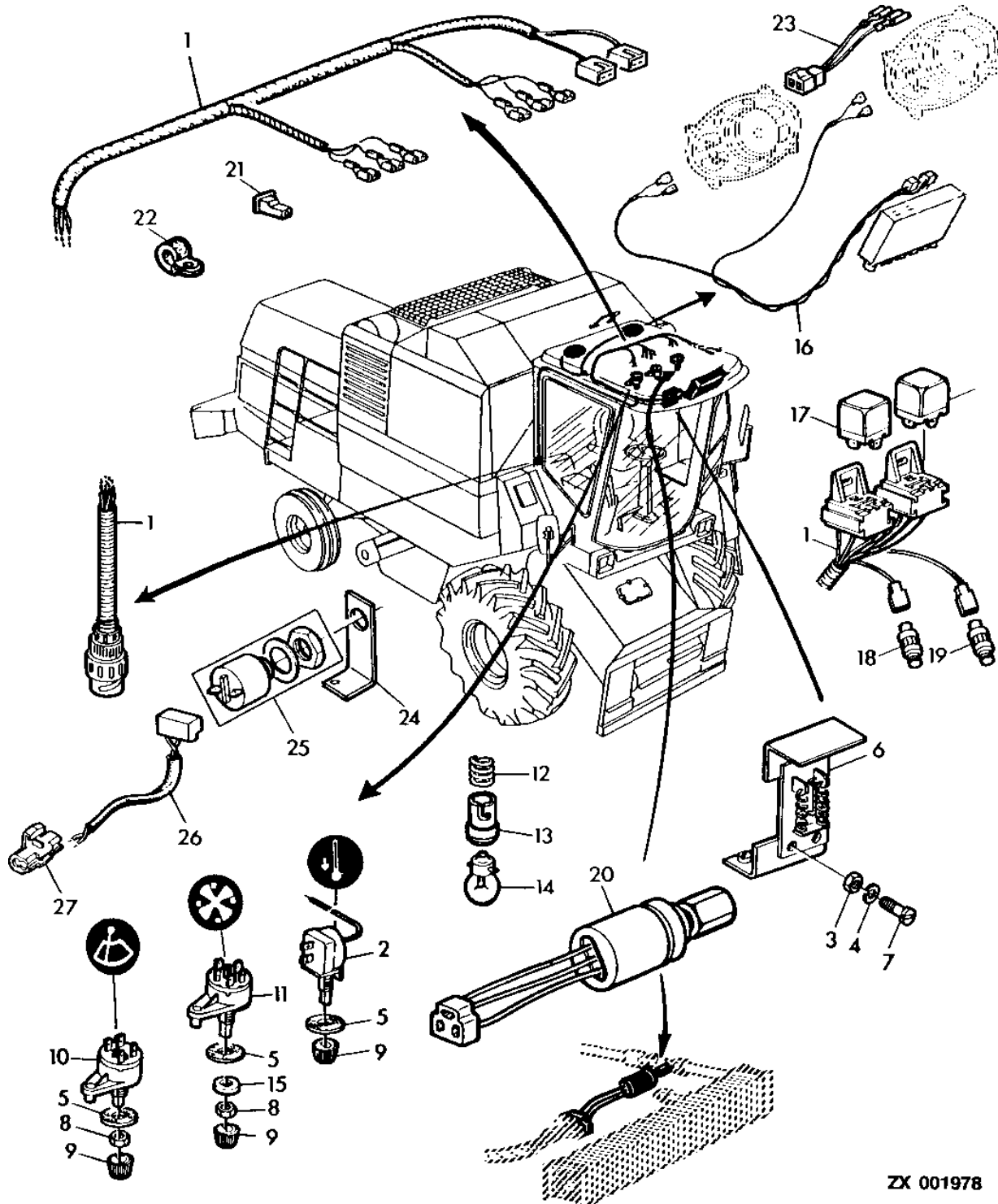
KEY	PART NO.	PART NAME	QTY	SERIAL NO.	4 4 4 3 4 5 3 H 5 Y	REMARKS
1	Z45952	COVER	1		X X	
2	AZ36331	KNOB	1		X X	
3	AZ36332	RHEOSTAT	1		X X	
4	Z44598	RETAINER	1		X X	
5	AZ38065	REGULATOR	1		X X	

1123

ELECTRICAL SYSTEM

ZX001978 -UN-01JAN94

CAB ROOF WIRING



ZX 001978

1124

ELECTRICAL SYSTEM

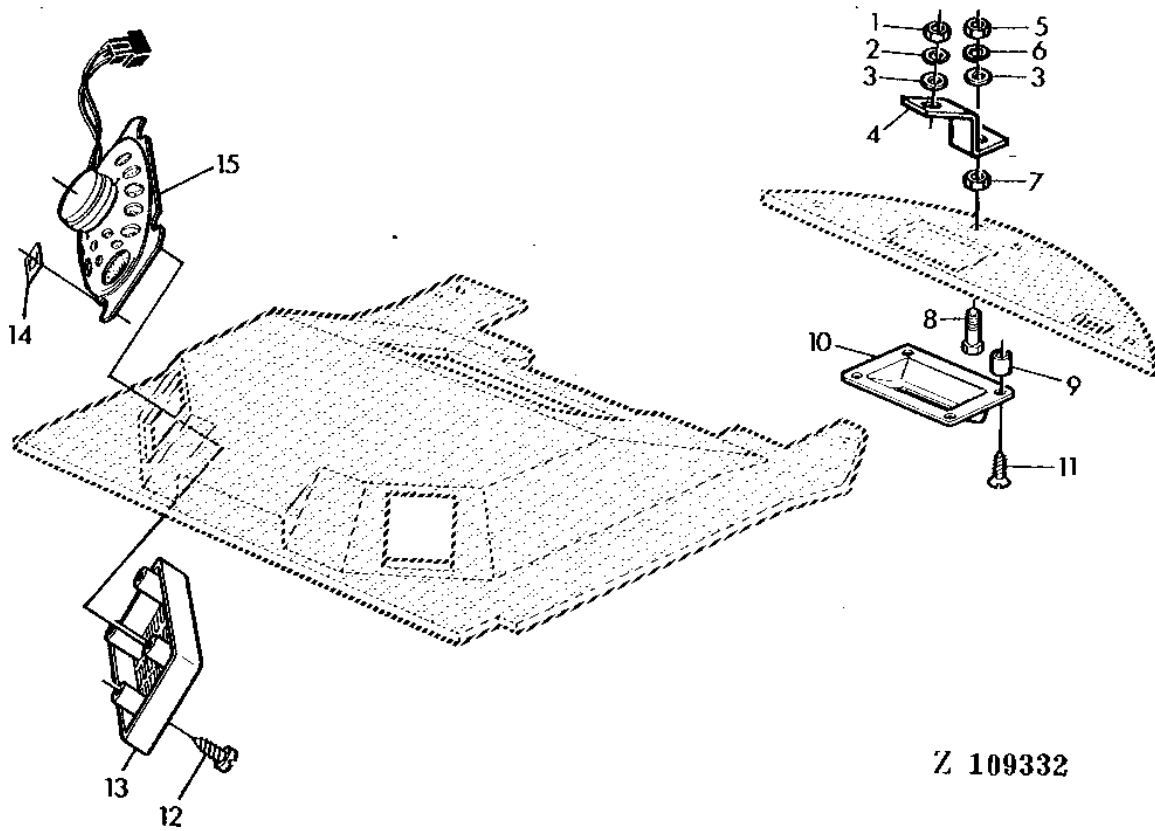
CAB ROOF WIRING - CONTINUED

KEY	PART NO.	PART NAME	QTY	CAB SERIAL NO.	4	REMARKS	
					4		3
1	AZ41211	WIRING HARNESS	1		X	X	
2	AR59779	AC/HEAT TEMPERATURE SWITCH	1		X	X	
3	14H778	NUT	2		X	X	0.190"
4	12H340	LOCK WASHER	2		X	X	0.190"
5	L55034	SEALING WASHER	AR		X	X	
6	AZ38213	RESISTOR	1		X	X	
7	21H1194	SCREW	2		X	X	0.190" X 3/4"
8	R44165	LOCK NUT	AR		X	X	
9	AL58295	KNOB	3		X	X	
10	AL36528	SWITCH	1		X	X	
11	AL36529	SWITCH	1		X	X	
12	R30378	SPRING	1		X	X	
13	AZ37753	INDICATOR LIGHT	1		X	X	
14	57M6277	BULB	1		X	X	
15	24M7040	WASHER	AR		X	X	11 X 20 X 2 MM
16	AR103750	RADIO SPEAKER WRG HARNESS	1		X	X	FOR U.S.-RADIO, (ALSO ORDER T28583)
17	AL58366	RELAY	2		X	X	(SUB AL77324)
	AL77324	RELAY	2		X	X	
18	AZ23107	DIODE	1		X	X	
19	Z41390	DIODE	1		X	X	
20	RE24308	AC LOW PRESSURE SWITCH	1		X	X	
21	T28583	RECEPTACLE	1		X	X	(FOR AR103750)
22	R51892	CLAMP	AR		X	X	
23	AZ45169	POWER CORD	2		X	X	
24	Z57792	HOLDER	1		X	X	
25	AZ37086	SENDER	1		X	X	
26	AZ34358	WIRING HARNESS	1		X	X	
27	57M7342	CONNECTOR	2		X	X	

1J1

Z109332 -UN-01JAN94

RADIO AND SPEAKERS MOUNTING PARTS



Z 109332

1J2

ELECTRICAL SYSTEM

RADIO AND SPEAKERS MOUNTING PARTS - CONTINUED

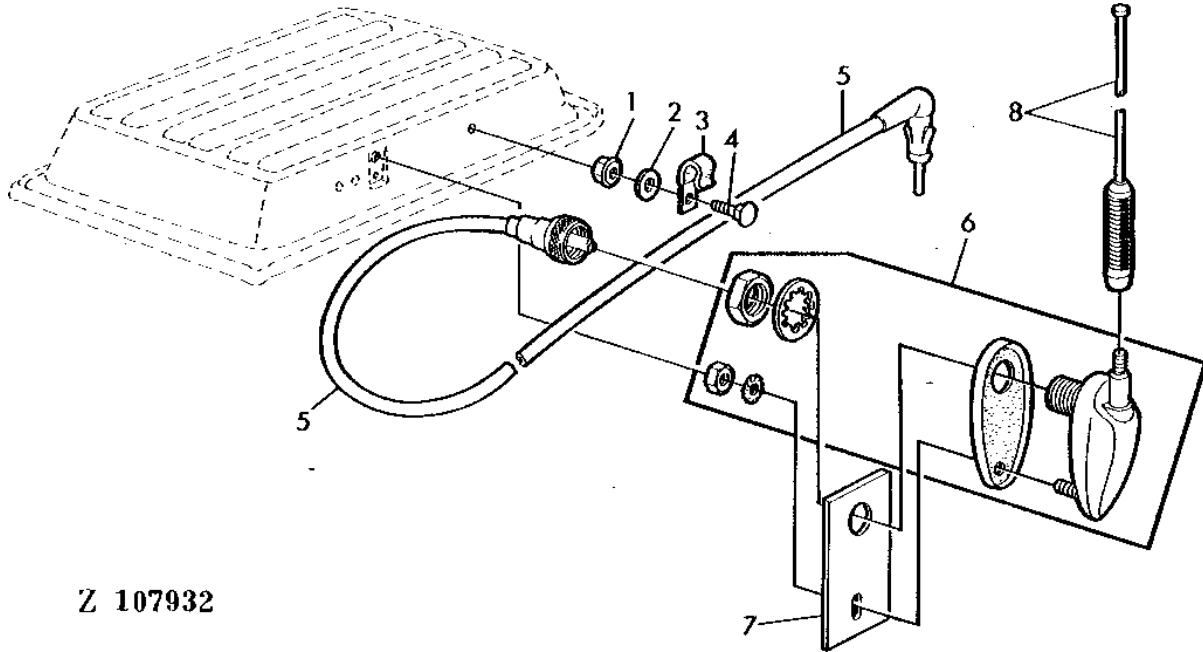
KEY	PART NO.	PART NAME	QTY	CAB SERIAL NO.			REMARKS
					4	5	
					4		
					4		
					4	3	
					4	5	
					3	H	
					5	Y	
1	14H786	NUT	1		X	X	1/4"
2	12H302	LOCK WASHER	1		X	X	1/4"
3	Z26250	WASHER	2		X	X	
4	Z45004	HOLDER	1		X	X	
5	14M7027	NUT	1		X	X	M6
6	12M7012	LOCK WASHER	1		X	X	6.100 MM
7	14M7194	NUT	1		X	X	M6
8	19M8066	CAP SCREW	1		X	X	M6 X 18
9	Z42245	SPACER	4		X	X	
10	Z48214	BRACKET	1		X	X	
11	37M7132	SCREW	4		X	X	5,5 X 25MM
12	R53678	SCREW	8		X	X	
13	L40309	GRILLE	2		X	X	
14	R61268	LOCK NUT	4		X	X	
15	AH110953	SPEAKER	2		X	X	

1J3

ELECTRICAL SYSTEM

Z107932 -UN-01JAN94

ANTENNA



Z 107932

4
4
4 3
4 5
3 H
5 Y

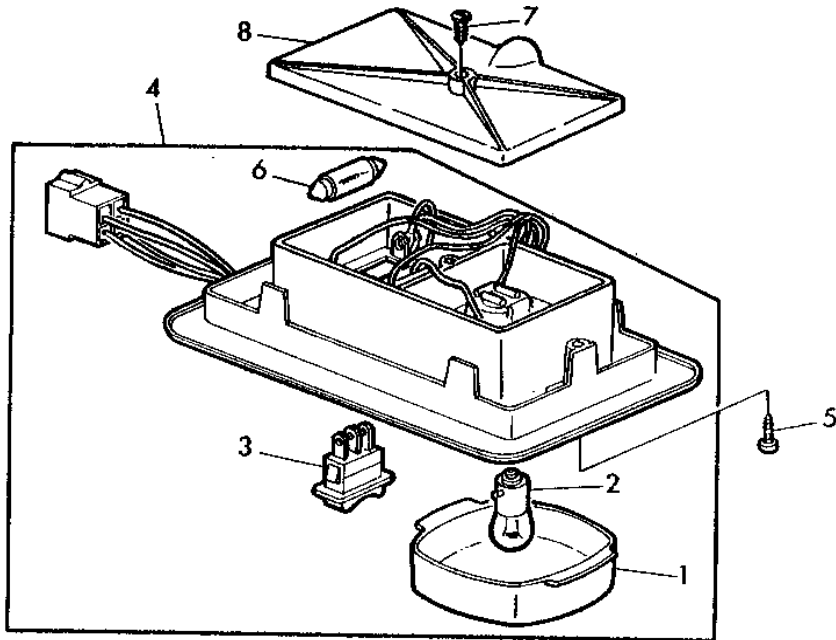
KEY	PART NO.	PART NAME	QTY	SERIAL NO.	REMARKS
1	N10217	LOCK NUT	1	X X	
2	24H1287	WASHER	1	X X	9/32" X 5/8" X 0.065"
3	T32231	CLAMP	1	X X	
4	03H2092	BOLT	1	X X	1/4" X 3/4"
5	AR46985	WIRING LEAD	1	X X	
6	AR46984	BASE	1	X X	
7	H104803	PLATE	1	X X	
8	AR46986	ANTENNA	1	X X	

1J4

ELECTRICAL SYSTEM

Z113207 -UN-01JAN94

DOME LIGHT



Z113207

4
4
4 3
4 5
3 H
5 Y

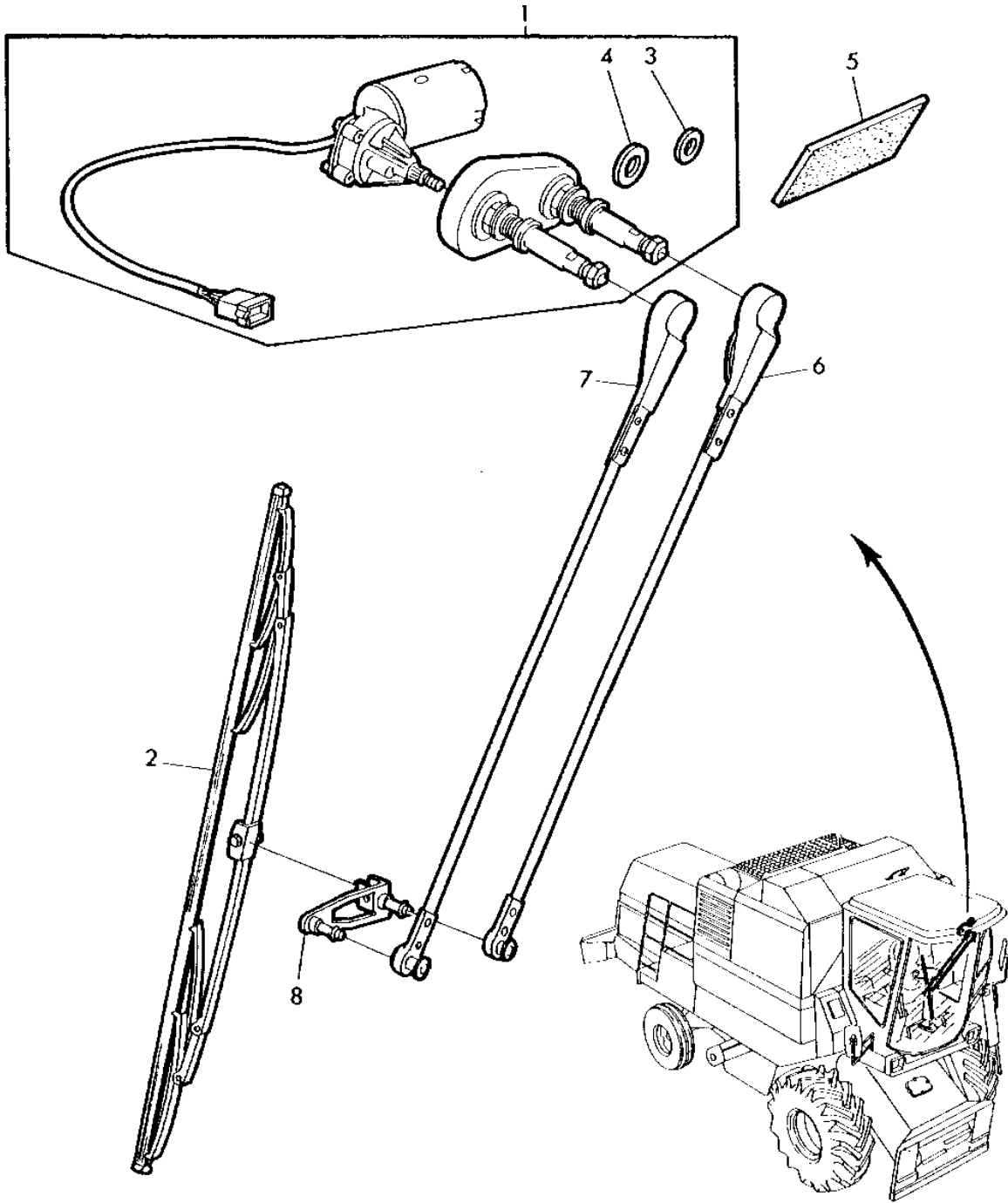
KEY	PART NO.	PART NAME	QTY	CAB SERIAL NO.	REMARKS
1	R63496	LENS	1	X X	
2	57M7013	BULB	1	X X	12V 10W
3	AL37269	SWITCH	1	X X	
4	AZ38427	LAMP	1	X X	
5	H98313	SCREW	2	X X	
6	57M6274	BULB	1	X X	12V 5W
7	37M7142	SCREW	1	X X	3.9 X 19MM
8	L40778	COVER	1	X X	

1J5

ELECTRICAL SYSTEM

Z115811 -UN-01JAN94

WINDSHIELD WIPERS (UPPER)



Z115811

1J6

ELECTRICAL SYSTEM

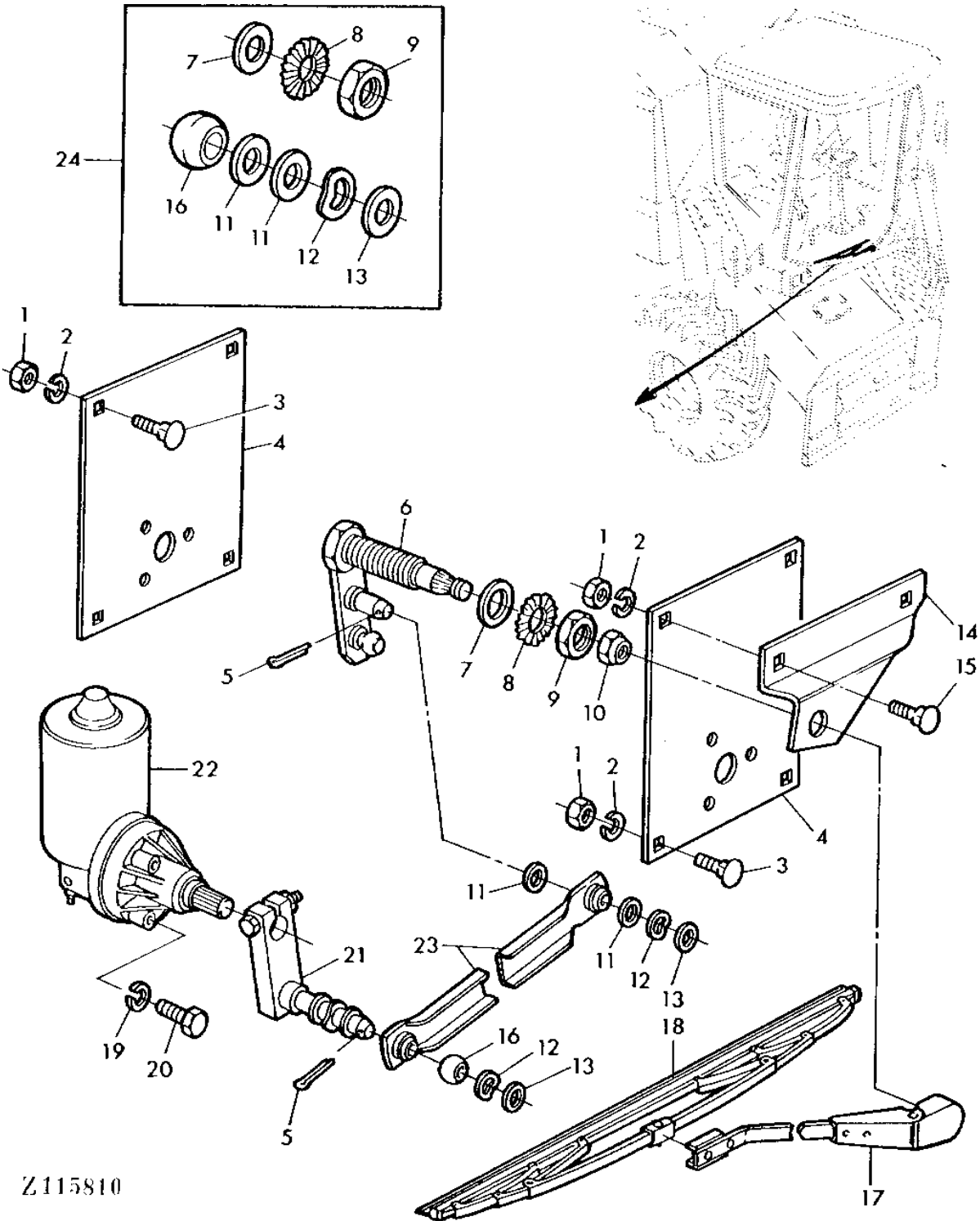
WINDSHIELD WIPERS (UPPER) - CONTINUED

KEY	PART NO.	PART NAME	QTY	CAB SERIAL NO.	4	REMARKS
					4	
					4 3	
					4 5	
					3 H	
					5 Y	
1	AZ36253	MOTOR	1		X X	
2	AZ36150	WIPER BLADE	1		X X	
3	24M7099	WASHER	2		X X	21 X 34 X 2.500 MM
4	24M7090	WASHER	2		X X	22 X 37 X 3 MM
5	Z41650	GASKET	1		X X	
6	AZ36162	WIPER ARM	1		X X	
7	AZ36163	WIPER ARM	1		X X	
8	Z41384	WIPER ARM	1		X X	

1J7

Z115810 -UN-01JAN94

WINDSHIELD WIPER (LOWER)



Z115810

1J8

ELECTRICAL SYSTEM

BASIC WIRING HARNESS - CONTINUED

KEY	PART NO.	PART NAME	QTY	SERIAL NO.	4 4 4 3 4 5 3 H 5 Y	REMARKS
1	14M7029	NUT	AR		X X	M8
2	12M7008	LOCK WASHER	AR		X X	8.100 MM
3	03M7090	BOLT	AR		X X	M8 X 16
4	Z51767	STRAP	2		X X	
5	11M7008	COTTER PIN	AR		X X	2 X 14 MM
6	AZ40688	BEARING	1		X X	
7	WASHER	AR		X X	KIT AZ40691
8	LOCK WASHER	AR		X X	KIT AZ40691
9	NUT	AR		X X	KIT AZ40691
10	14M7167	LOCK NUT	AR		X X	M10
11	WASHER	AR		X X	KIT AZ40691
12	SPRING WASHER	AR		X X	KIT AZ40691
13	WASHER	AR		X X	KIT AZ40691
14	Z51766	RETAINER	1		X X	
15	03M7054	BOLT	AR		X X	M8 X 20
16	Z51898	BEARING	AR		X X	KIT AZ40691
17	AZ40637	WIPER ARM	1		X X	
18	AZ36150	WIPER BLADE	1		X X	
19	12M7012	LOCK WASHER	AR		X X	6.100 MM
20	19M7375	CAP SCREW	AR		X X	M6 X 18
21	AZ40635	LEVER	1		X X	
22	AZ40639	WIPER MOTOR	1		X X	
23	AZ40636	BRACE	1		X X	
24	AZ40691	PACKAGE OF PARTS	1		X X	

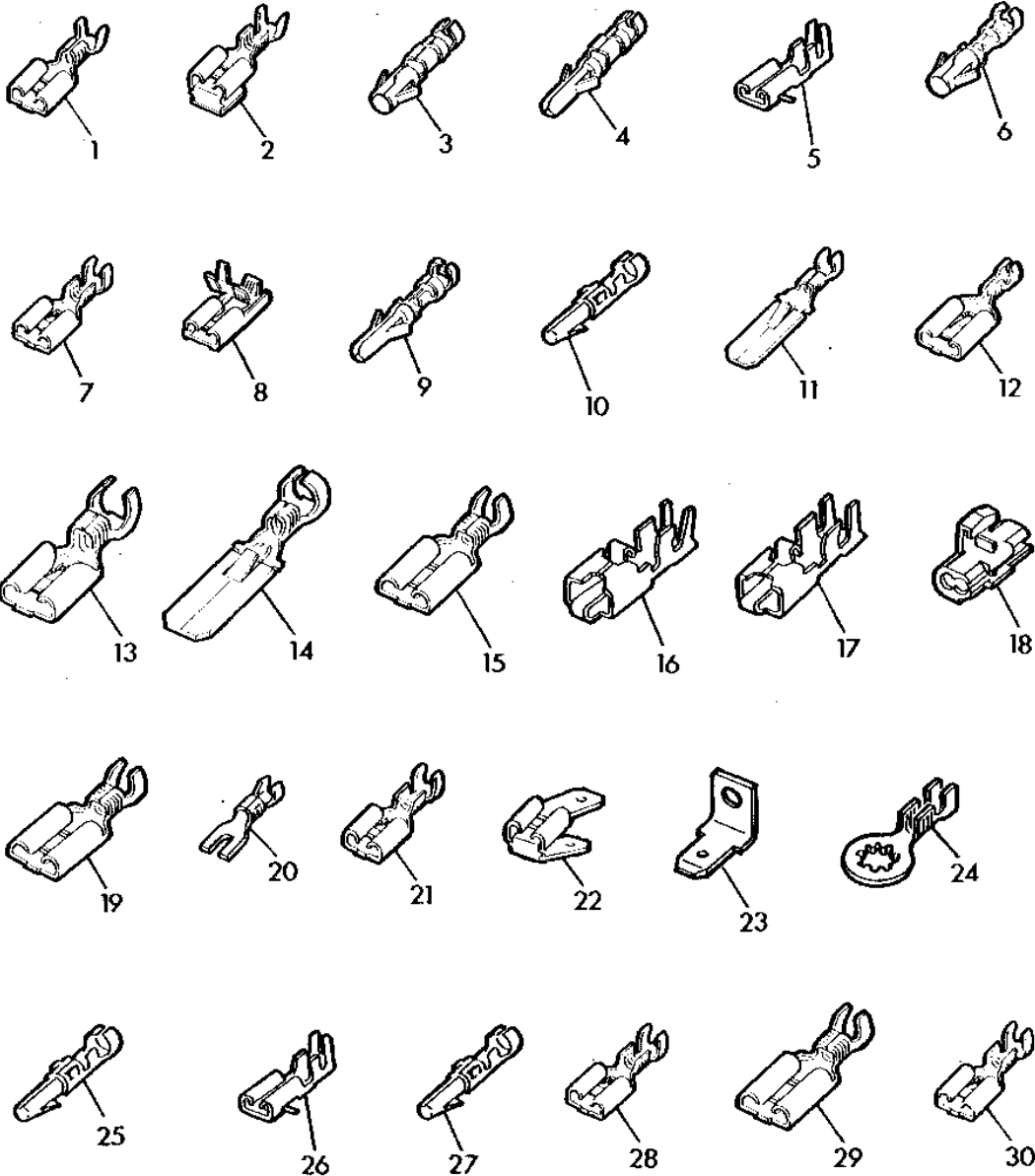
1J9

ELECTRICAL SYSTEM

Z111184

-UN-01JAN94

CABLE CLIPS, CONNECTORS AND PLUGS



Z111184

1J10

ELECTRICAL SYSTEM

CABLE CLIPS, CONNECTORS AND PLUGS - CONTINUED

KEY	PART NO.	PART NAME	QTY	SERIAL NO.	4 4 4 3 4 5 3 H 5 Y	REMARKS
1	57M7045	RECEPTACLE	AR		X X	
2	57M7070	RECEPTACLE	AR		X X	
3	L36681	SOCKET CONTACT	AR		X X	
4	L35423	PIN CONTACT	AR		X X	
5	Z40695	SOCKET	AR		X X	
6	L36685	SOCKET CONTACT	AR		X X	
7	57M7041	RECEPTACLE	AR		X X	
8	57M7069	RECEPTACLE	AR		X X	
9	L36670	PIN CONTACT	AR		X X	
10	Z40755	ELECTRICAL PLUG	AR		X X	
11	57M7039	TAB	AR		X X	
12	57M7038	RECEPTACLE	AR		X X	
13	57M7071	RECEPTACLE	AR		X X	
14	57M7040	TAB	AR		X X	
15	57M7046	RECEPTACLE	AR		X X	
16	57M7106	TERMINAL	AR		X X	2,5 - 4,0MM2
17	57M7089	RECEPTACLE	AR		X X	0,7 - 2,0MM2
18	57M7095	CONNECTOR	AR		X X	
19	57M7044	RECEPTACLE	AR		X X	
20	57M7093	TERMINAL	AR		X X	
21	57M7103	RECEPTACLE	AR		X X	
22	57M7082	CONNECTOR	AR		X X	
23	Z43648	TAB	AR		X X	
24	57M7032	TERMINAL	AR		X X	
25	Z43327	RECEPTACLE	AR		X X	
26	L36676	TERMINAL	AR		X X	
27	L36669	PIN CONTACT	AR		X X	
28	57M7104	RECEPTACLE	AR		X X	
29	57M7098	RECEPTACLE	AR		X X	
30	57M7077	RECEPTACLE	AR		X X	

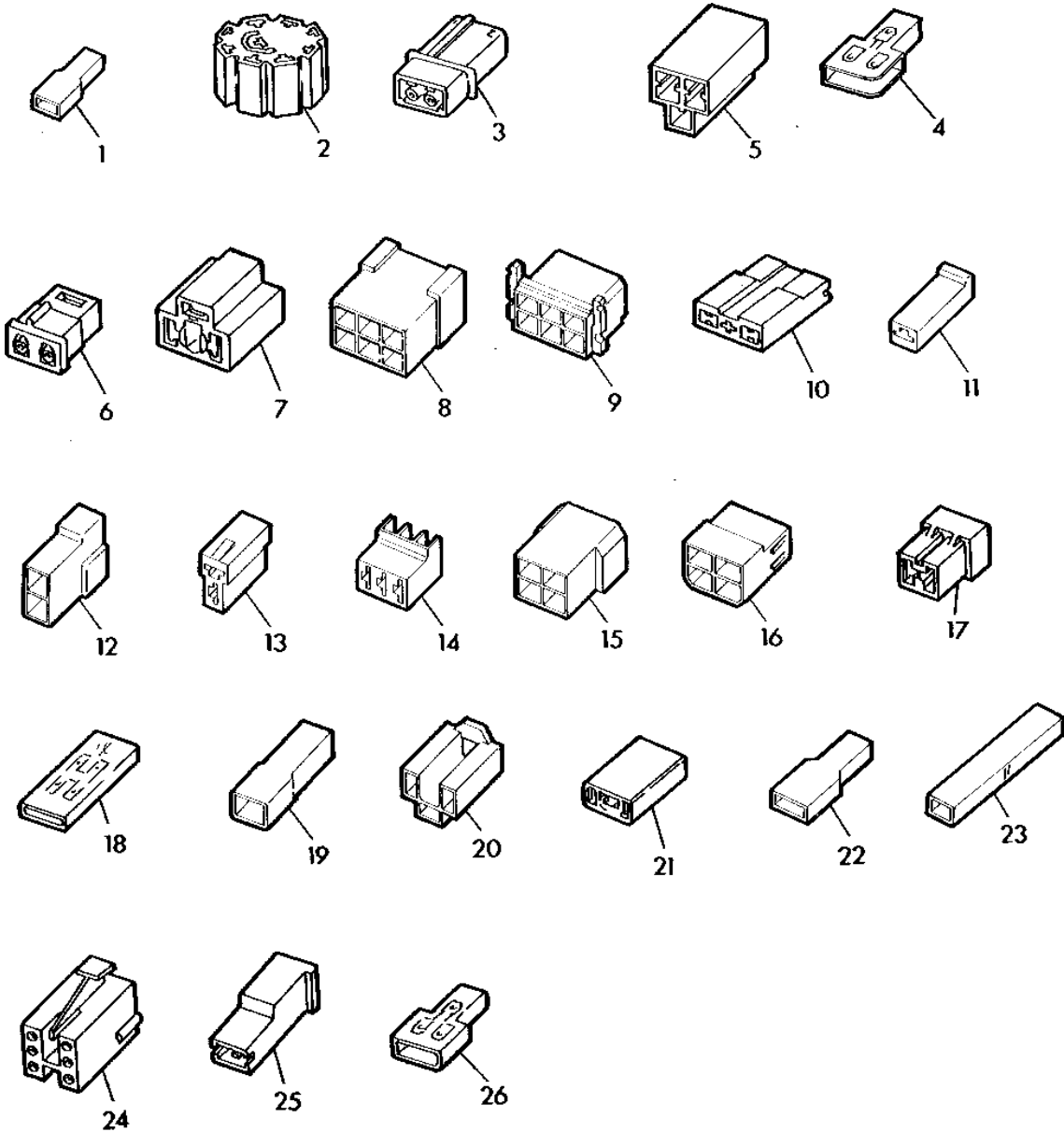
1J11

ELECTRICAL SYSTEM

Z108533

-UN-01JAN94

HOUSINGS FOR ELECTRICAL PLUG CONNECTORS



Z 108533

1J12

ELECTRICAL SYSTEM

HOUSINGS FOR ELECTRICAL PLUG CONNECTORS - CONTINUED

KEY	PART NO.	PART NAME	QTY	SERIAL NO.	REMARKS
					4
					4
					4 3
					4 5
					3 H
					5 Y
1	57M7033	INSULATING SLEEVE	AR		X X
2	Z40754	CONNECTOR	AR		X X
3	Z40862	SOCKET OUTLET	AR		X X
4	57M7107	CONNECTOR	AR		X X
5	57M7092	TAB CONNECTOR BODY	AR		X X
6	Z40696	SOCKET	AR		X X
7	Z40753	SOCKET OUTLET	AR		X X
8	57M7059	TAB CONNECTOR BODY	AR		X X
9	57M7058	RECEPTACLE CONNECTOR BODY	AR		X X
10	Z40742	SOCKET OUTLET	AR		X X
11	57M7067	RECEPTACLE CONNECTOR BODY	AR		X X
12	57M7066	TAB CONNECTOR BODY	AR		X X
13	57M7065	RECEPTACLE CONNECTOR BODY	AR		X X
14	57M7062	RECEPTACLE CONNECTOR BODY	AR		X X
15	57M7061	TAB CONNECTOR BODY	AR		X X
16	57M7060	RECEPTACLE CONNECTOR BODY	AR		X X
17	Z30963	ELECTRICAL PLUG	AR		X X
18	AZ31110	ELECTRICAL PLUG	AR		X X
19	57M7068	TAB CONNECTOR BODY	AR		X X
20	57M7064	RECEPTACLE CONNECTOR BODY	AR		X X
21	H104855	CONNECTOR	AR		X X
22	57M7072	INSULATING SLEEVE	AR		X X
23	57M7073	CONNECTOR	AR		X X
24	Z40756	SOCKET OUTLET	AR		X X
25	Z40757	INSULATING SLEEVE	AR		X X
26	AZ31109	ELECTRICAL PLUG	AR		X X

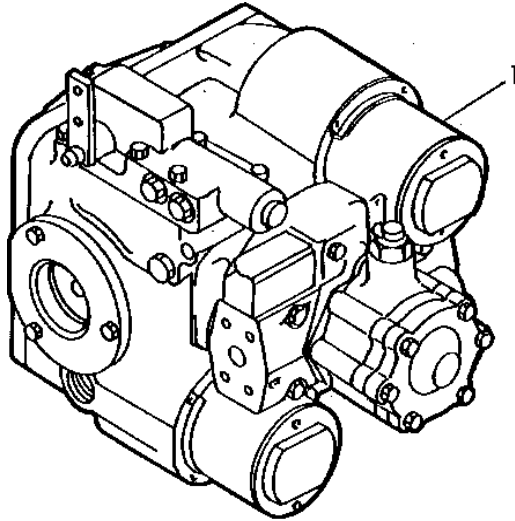
MEMORANDA

2B7

POWER TRAIN

Z118054 -UN-01JAN94

HYDROSTATIC DRIVE PUMP



Z118054

4
4
4 3
4 5
3 H
5 Y

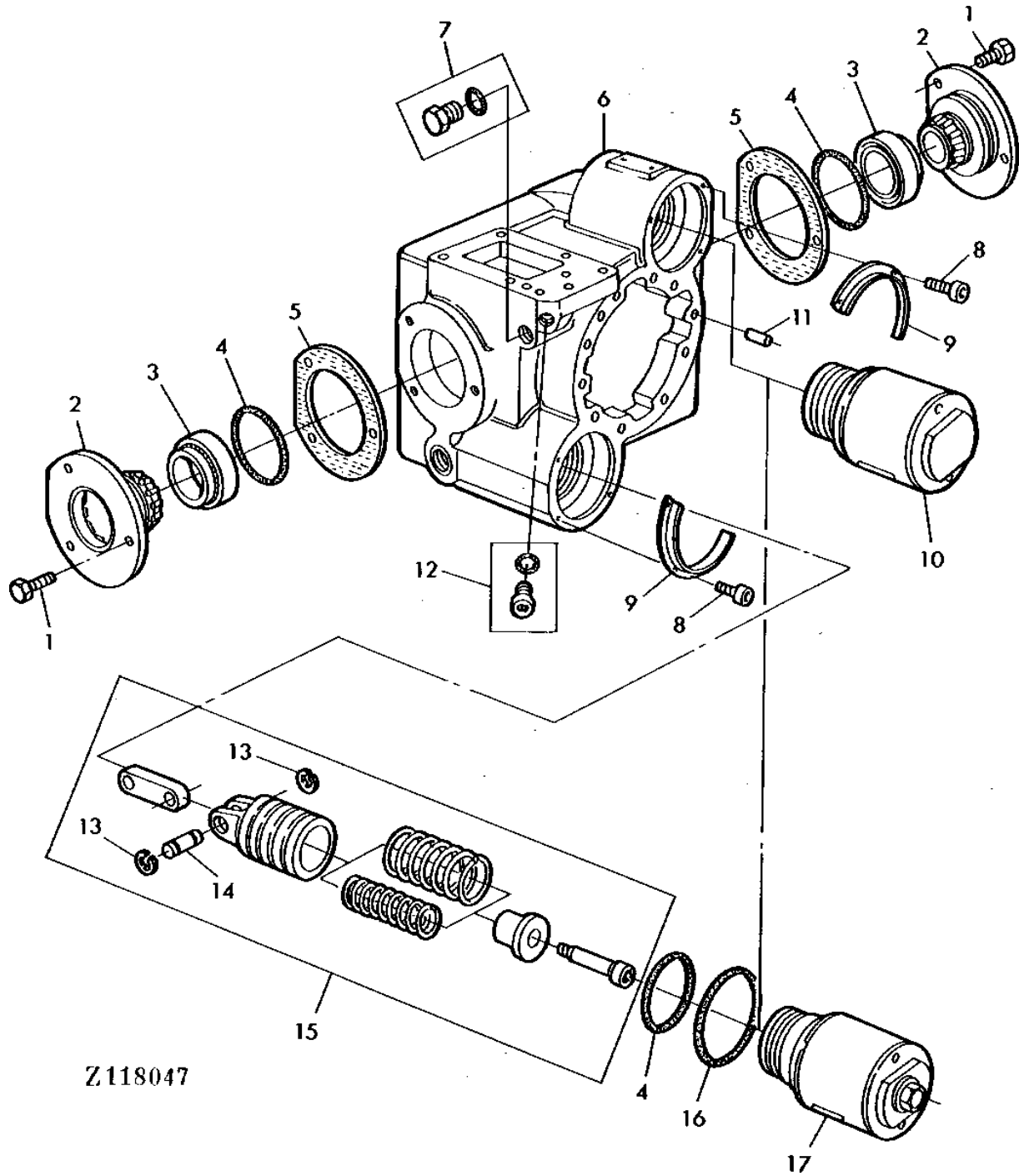
KEY	PART NO.	PART NAME	QTY	SERIAL NO.	REMARKS
1	AZ42044	PUMP	1		X

2B8

POWER TRAIN

Z118047 -UN-01JAN94

HYDROSTATIC DRIVE PUMP, HOUSING AND SERVO



Z118047

2B9

POWER TRAIN

HYDROSTATIC DRIVE PUMP, HOUSING AND SERVO - CONTINUED

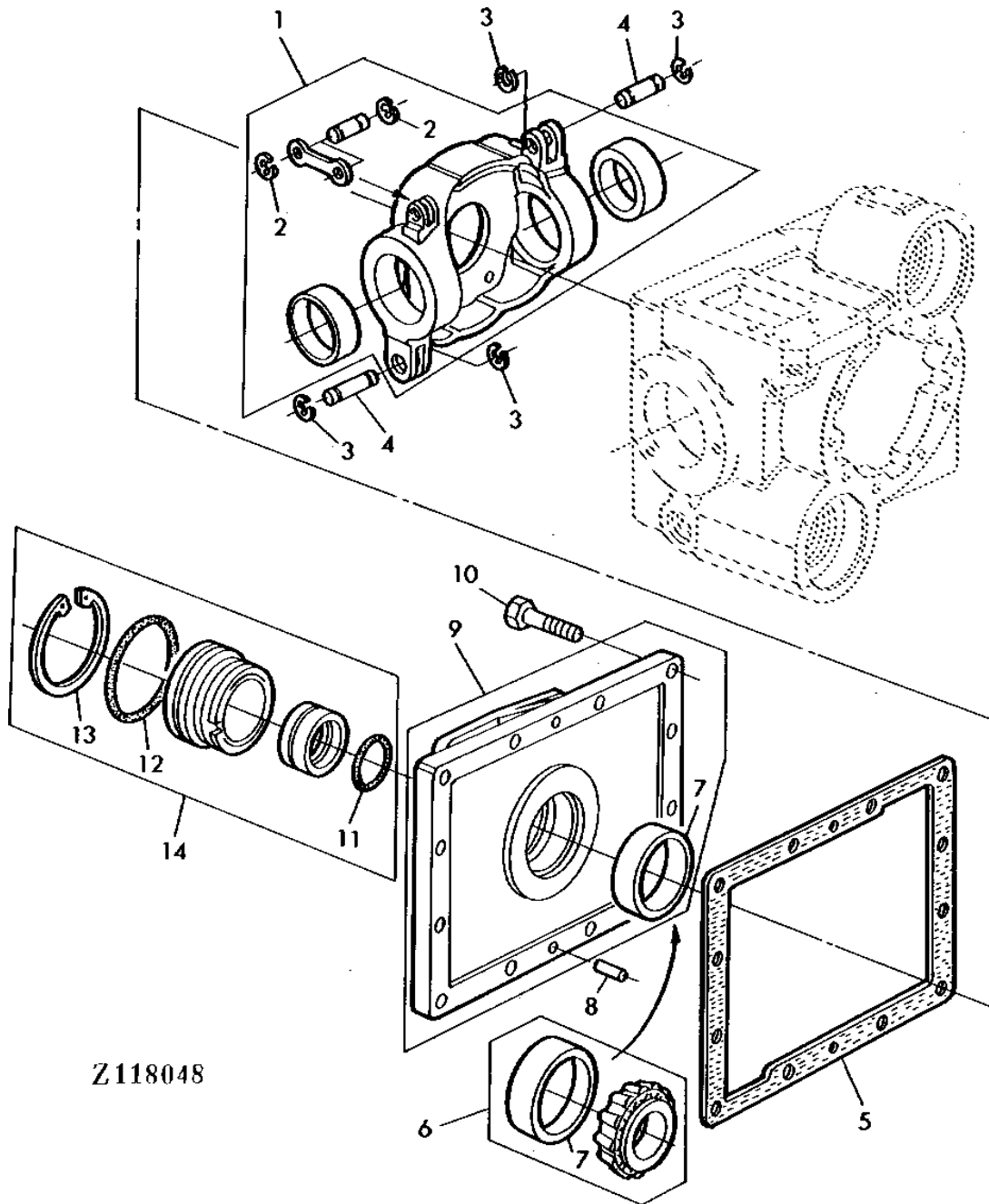
KEY	PART NO.	PART NAME	QTY	SERIAL NO.	4 4 4 3 4 5 3 H 5 Y	REMARKS
1	19H2666	CAP SCREW	6		X	7/16" X 7/8"
2	AZ42089	TRUNNION	2		X	
3	JD9133	BEARING CUP	2		X	
4	M4237T	O-RING	4		X	
5	AH112680	SHIM	2		X	
6	Z53130	HOUSING	1		X	
7	AZ42084	SCREW	1		X	
8	19H3176	SCREW	6		X	0.164" X 0.380"
9	H115052	RETAINER	2		X	
10	Z53131	PIN	1		X	
11	H63271	PIN	2		X	
12	AN122518	FITTING	1		X	
13	N126609	SNAP RING	4		X	
14	N126599	PIN	2		X	
15	AH112675	PISTON	2		X	
16	P48403	O-RING	2		X	
17	AZ42198	SLEEVE	1		X	

2B10

POWER TRAIN

Z118048 -UN-01JAN94

HYDROSTATIC DRIVE PUMP, FRONT COVER AND SWASHPLATE



Z118048

2B11

POWER TRAIN

HYDROSTATIC DRIVE PUMP, FRONT COVER AND SWASHPLATE - CONTINUED

KEY	PART NO.	PART NAME	QTY	SERIAL NO.	4 4 4 3 4 5 3 H 5 Y	REMARKS
1	AZ42087	HOUSING	1		X	
2	N48000	SNAP RING	2		X	
3	N126609	SNAP RING	4		X	
4	N126599	PIN	2		X	
5	H115060	GASKET	1		X	
6	AZ42073	ROLLER BEARING	1		X	
7	Z53121	BEARING CUP	1		X	
8	H63271	PIN	2		X	
9	AZ42086	HOUSING	1		X	
10	19H1821	CAP SCREW	12		X	7/16" X 1-1/4"
11	Z53119	O-RING	1		X	
12	T19832	O-RING	1		X	(SUB R112857)
	R112857	O-RING	1		X	
13	N126612	SNAP RING	1		X	
14	AN192380	SEAL KIT	1		X	

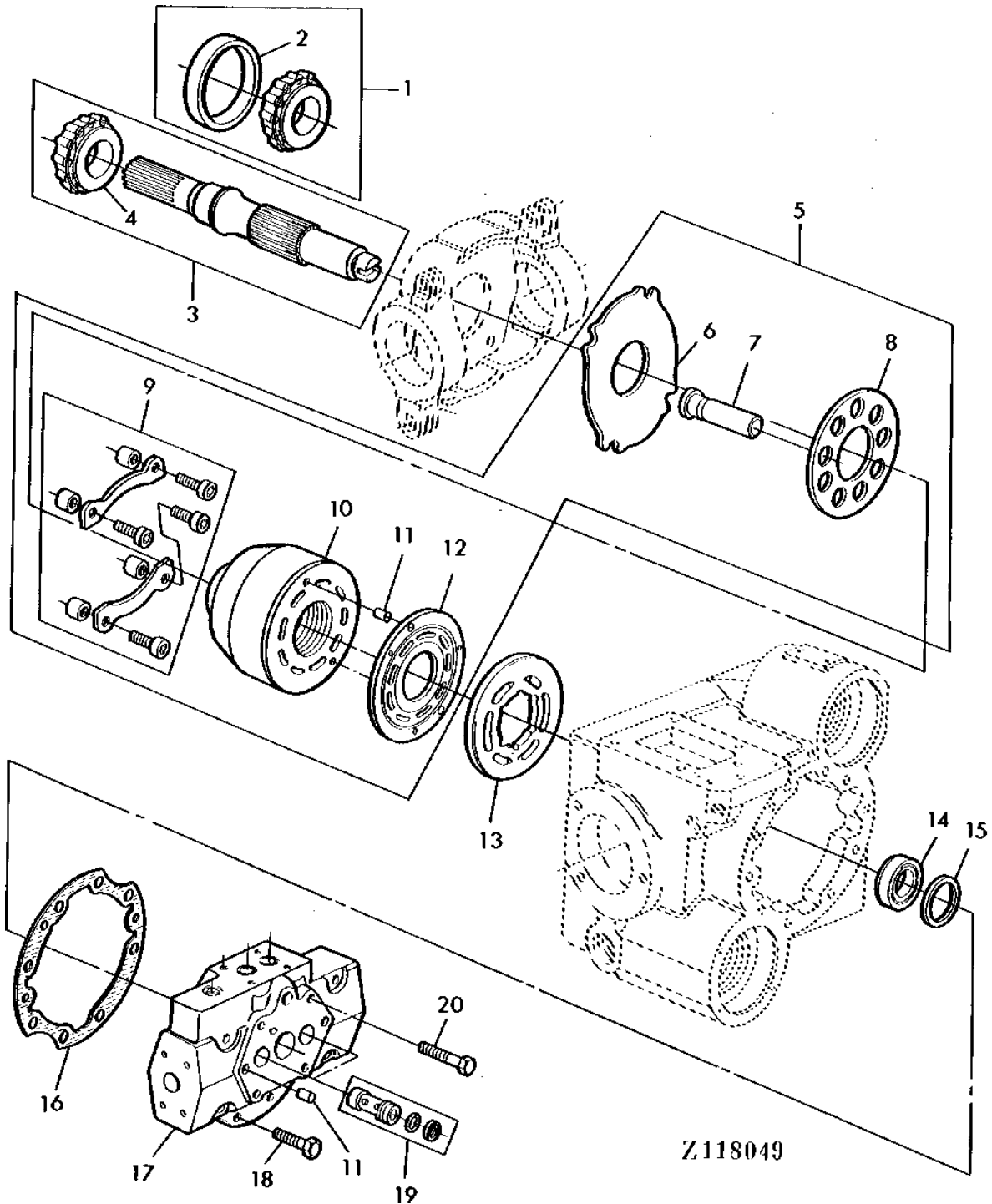
2B12

POWER TRAIN

Z118049

-UN-01JAN94

HYDROSTATIC DRIVE PUMP, SHAFT AND CYLINDER BLOCK KIT



2B13

POWER TRAIN

HYDROSTATIC DRIVE PUMP, SHAFT AND CYLINDER BLOCK KIT - CONTINUED

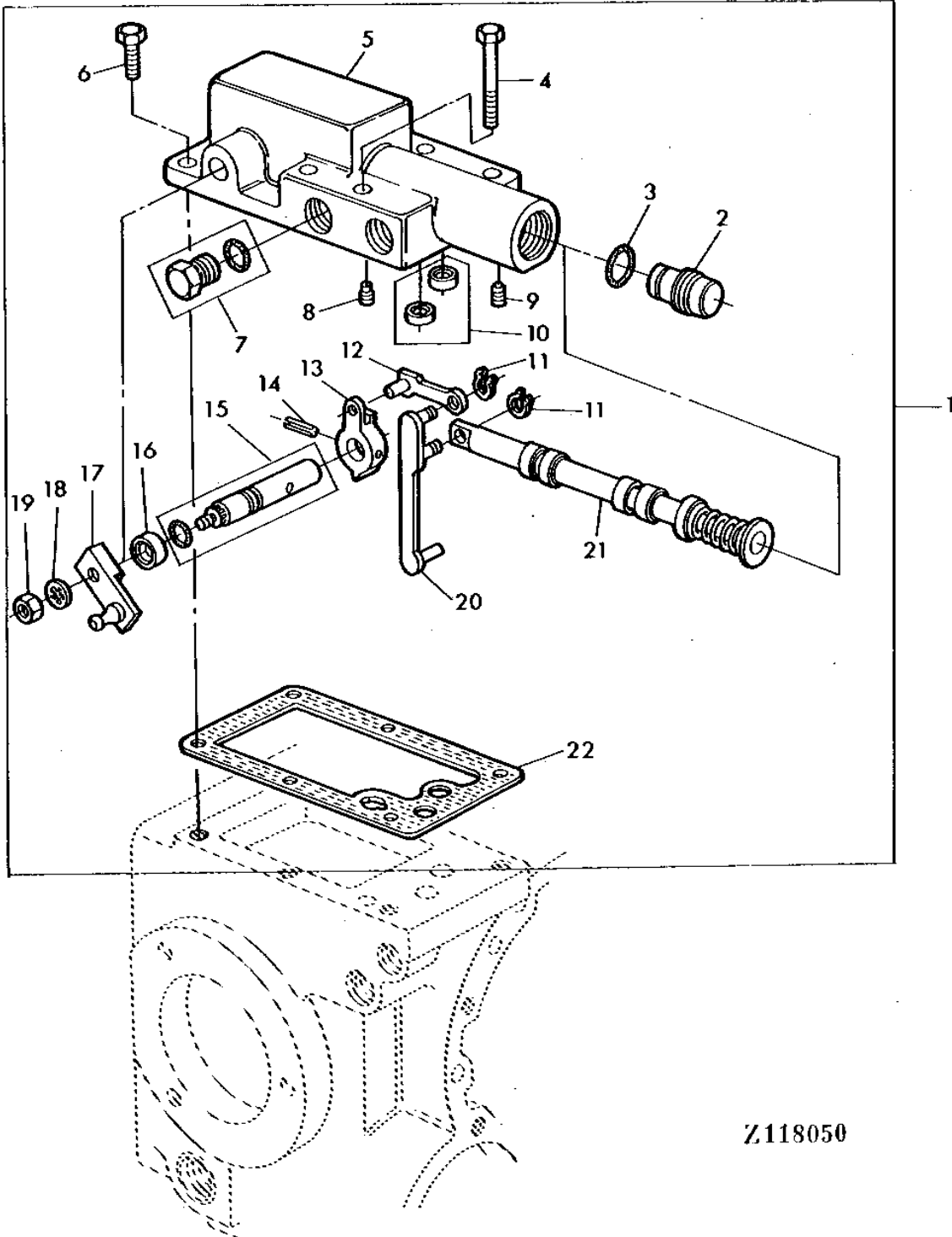
KEY	PART NO.	PART NAME	QTY	SERIAL NO.	4	REMARKS
					4	
					4 3	
					4 5	
					3 H	
					5 Y	
1	AZ42073	ROLLER BEARING	1		X	
2	Z53121	BEARING CUP	1		X	
3	AZ42085	SHAFT	1		X	
4	BEARING CONE	1		X	NOT SUPPLIED SEPARATELY, (ORDER AZ42073)
5	AZ42075	KIT	1		X	
6	Z53122	GASKET	1		X	
7	AH112677	PISTON	1		X	PKG. OF (9)
8	Z53123	PLATE	1		X	
9	AZ42076	SUPPORT	1		X	
10	AZ42077	KIT	1		X	
11	H63271	PIN	4		X	
12	Z53124	VALVE	1		X	
13	Z53160	SUPPORT	1		X	
14	AH65358	BEARING	1		X	
15	AH112678	SHIM	1		X	
16	Z53133	GASKET	1		X	
17	Z53132	HOUSING	1		X	
18	Z53128	CAP SCREW	2		X	
19	AN122502	CHECK VALVE	2		X	
20	Z53127	CAP SCREW	6		X	
21	Z53134	O-RING	2		X	
22	Z53135	DISK	2		X	

2B14

POWER TRAIN

Z118050 -UN-01JAN94

HYDROSTATIC DRIVE DISPLACEMENT CONTROL VALVE



Z118050

2B15

POWER TRAIN

HYDROSTATIC DRIVE DISPLACEMENT CONTROL VALVE - CONTINUED

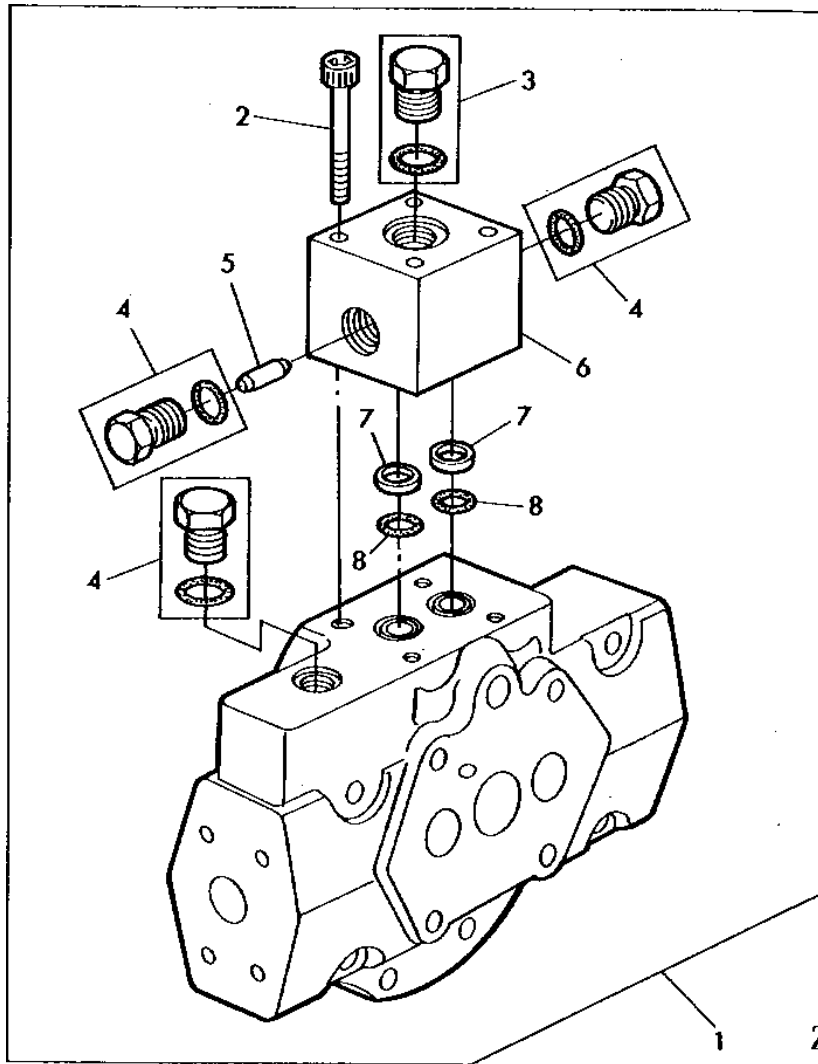
KEY	PART NO.	PART NAME	QTY	SERIAL NO.	4 4 4 3 4 5 3 H 5 Y	REMARKS
1	AZ42088	HOUSING	1		X	
2	N126641	SCREW	1		X	
3	Z53141	O-RING	1		X	
4	19H1875	CAP SCREW	2		X	5/16" X 1-3/4"
5	Z53137	HOUSING	1		X	
6	19H1905	CAP SCREW	4		X	5/16" X 1"
7	AZ42091	FITTING	2		X	
8	Z53144	BOLT	1		X	
9	AN122494	BOLT	1		X	
10	AZ42295	KIT	1		X	MARKED "I.E. 44"
	AZ42497	KIT	1		X	MARKED "I.E. 52"
11	N48000	SNAP RING	2		X	
12	AZ42215	SUPPORT	1		X	
13	Z53147	CAM	1		X	
14	Z53188	SPACER	1		X	
15	AZ42213	VALVE	1		X	
16	Z53139	SEAL	1		X	
17	AZ42212	VALVE	1		X	
18	Z53197	LOCK PLATE	1		X	
19	14H958	NUT	1		X	5/16"
20	AZ42216	SUPPORT	1		X	
21	AZ42214	VALVE	1		X	
22	N126586	GASKET	1		X	

2B16

POWER TRAIN

Z118052 -UN-01JAN94

HYDROSTATIC DRIVE PUMP COVER



Z118052

2B17

POWER TRAIN

HYDROSTATIC DRIVE PUMP COVER - CONTINUED

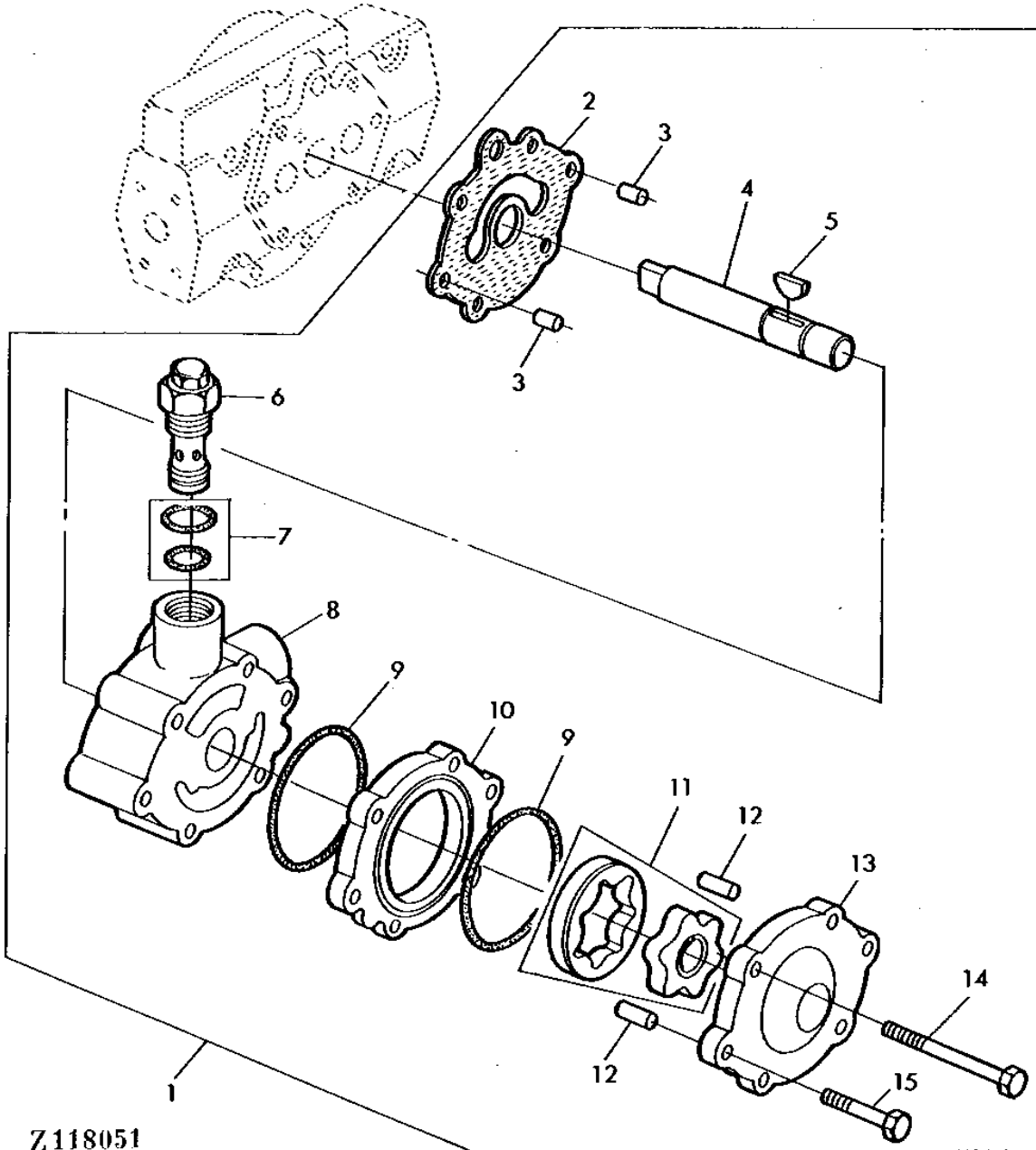
KEY	PART NO.	PART NAME	QTY	SERIAL NO.	4 4 4 3 4 5 3 H 5 Y	REMARKS
1	AZ42094	HOUSING	1		X	
2	Z53157	SCREW	4		X	
3	AZ42084	SCREW	1		X	
4	AZ42095	SCREW	3		X	
5	Z53156	PIN	1		X	
6	Z53155	CASE	1		X	
7	Z53158	WASHER	2		X	
8	Z53159	O-RING	2		X	

2B18

POWER TRAIN

Z118051 -UN-01JAN94

HYDROSTATIC DRIVE CHARGE PUMP



Z118051

2B19

POWER TRAIN

HYDROSTATIC DRIVE CHARGE PUMP - CONTINUED

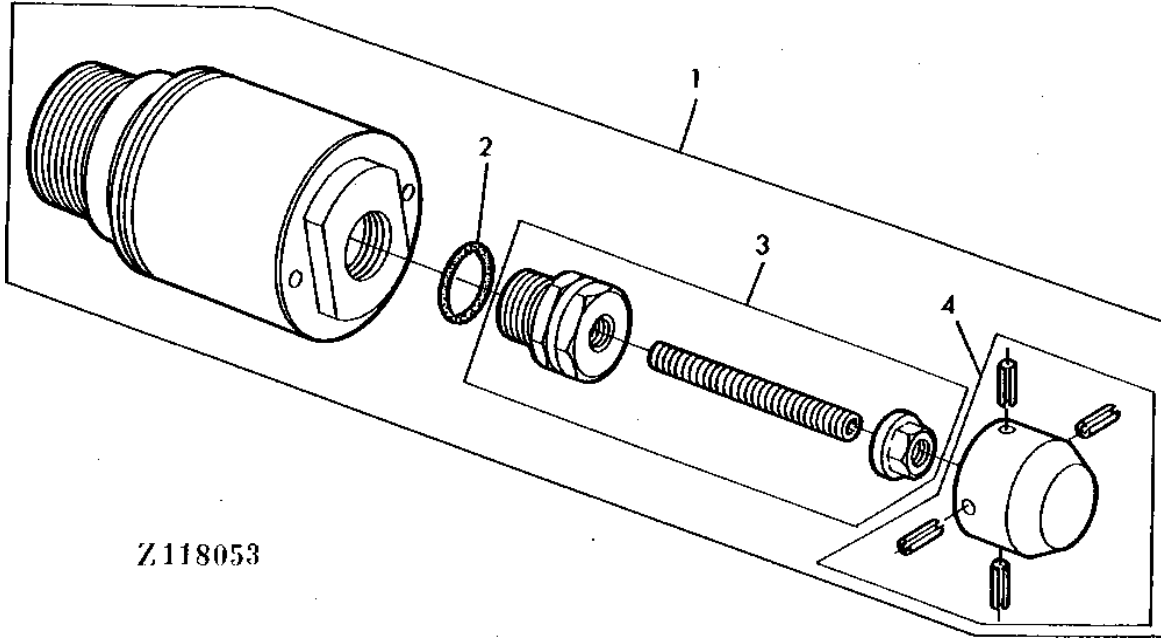
KEY	PART NO.	PART NAME	QTY	SERIAL NO.	4 4 4 3 4 5 3 H 5 Y	REMARKS
1	AZ42090	PUMP	1		X	
2	N126637	GASKET	1		X	
3	H63271	PIN	2		X	
4	Z53148	PIN	1		X	
5	Z53149	PIN	1		X	
6	AN122498	RELIEF VALVE	1		X	
7	AZ42092	GANG	1		X	
8	N126622	HOUSING	1		X	
9	H135570	O-RING	2		X	
10	Z53150	SPACER	1		X	
11	AZ42093	ROTOR	1		X	
12	Z53152	BUSHING	2		X	
13	N126621	COVER	1		X	
14	19H1897	CAP SCREW	4		X	5/16" X 3-3/4"
15	19H1875	CAP SCREW	2		X	5/16" X 1-3/4"

2B20

POWER TRAIN

Z118053 -UN-01JAN94

HYDROSTATIC DRIVE PUMP SERVO



Z118053

4
4
4 3
4 5
3 H
5 Y

KEY	PART NO.	PART NAME	QTY	SERIAL NO.	REMARKS
1	AZ42198	SLEEVE	1		X
2	R26906	O-RING	1		X
3	AZ40348	STOP	1		X
4	AZ40349	CAP	1		X

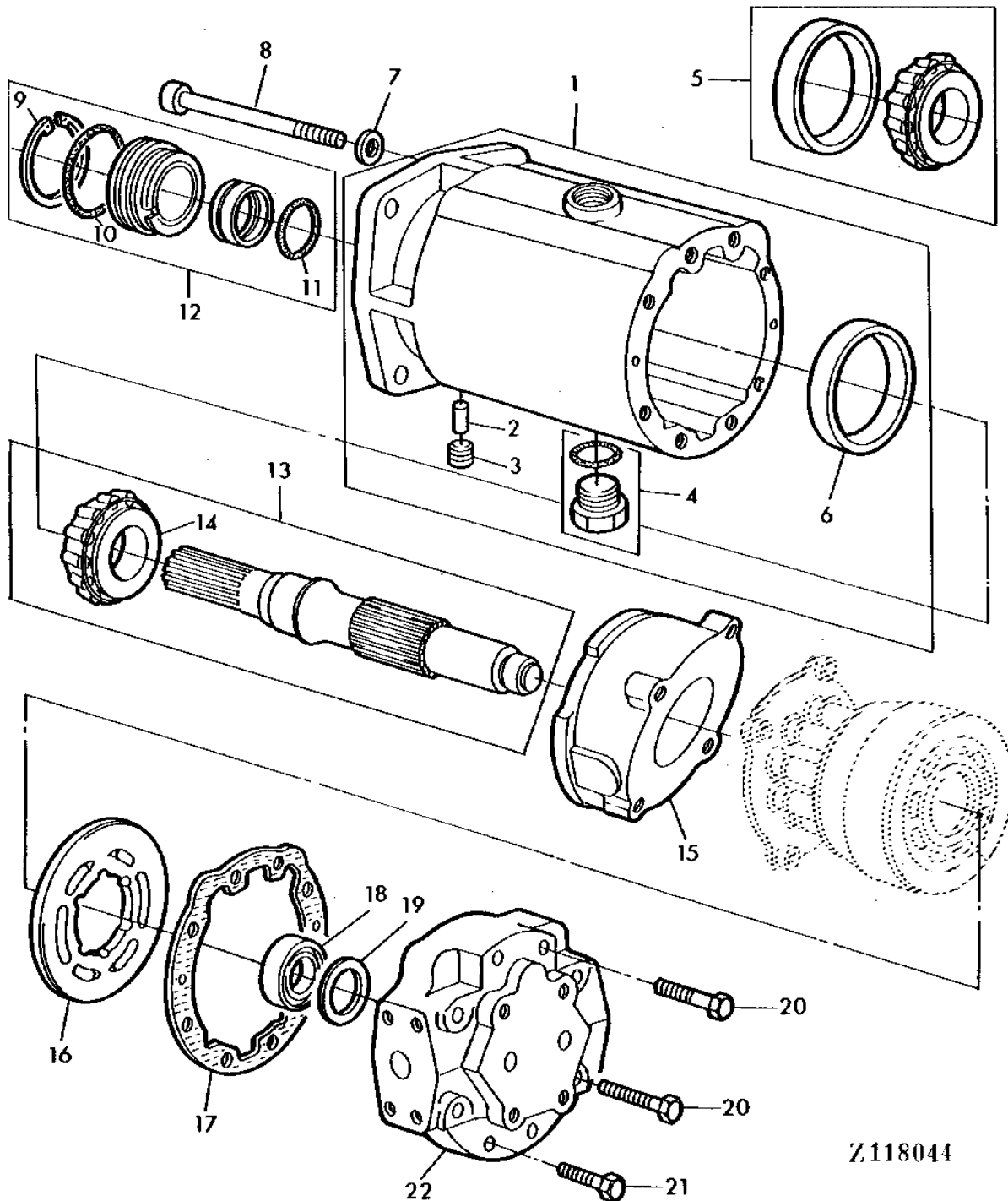
MEMORANDA

2B21

POWER TRAIN

Z118044 -UN-01JAN94

HYDROSTATIC DRIVE MOTOR



Z118044

2B22

POWER TRAIN

HYDROSTATIC DRIVE MOTOR - CONTINUED

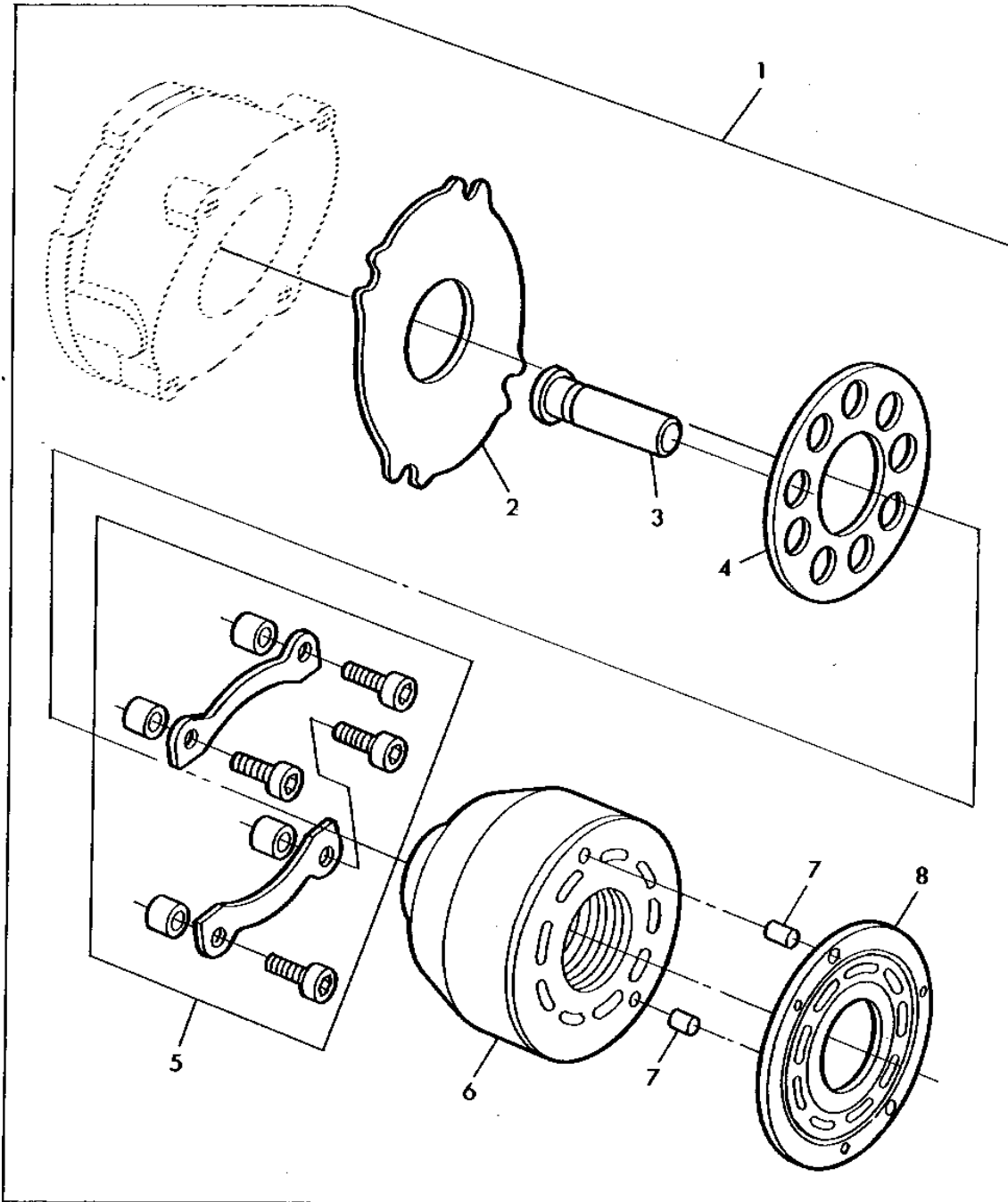
KEY	PART NO.	PART NAME	QTY	SERIAL NO.	4 4 4 3 4 5 3 H 5 Y	REMARKS
1	AZ42070	HOUSING	1		X	
2	Z53120	BOLT	1		X	
3	H64813	DOWEL PIN	1		X	
4	AZ42071	SCREW	1		X	
5	AZ42073	ROLLER BEARING	1		X	
6	Z53121	BEARING CUP	1		X	
7	H135571	SEALING WASHER	2		X	
8	Z53196	SCREW	2		X	
9	N126612	SNAP RING	1		X	
10	T19832	O-RING	1		X	(SUB R112857)
	R112857	O-RING	1		X	
11	Z53119	O-RING	1		X	
12	AN192380	SEAL KIT	1		X	
13	AZ42072	SHAFT	1		X	
14	BEARING CONE	1		X	NOT SUPPLIED SEPARATELY, (ORDER AZ42073)
15	AZ42074	HOUSING	1		X	
16	Z53140	VALVE	1		X	
17	Z53125	HOUSING	1		X	
18	AH65358	BEARING	1		X	
19	AH112678	SHIM	1		X	
20	Z53127	CAP SCREW	6		X	
21	Z53128	CAP SCREW	2		X	
22	Z53126	HOUSING	1		X	
..	AZ42043	MOTOR	1		X	COMPLETE ASSEMBLY

2B23

POWER TRAIN

Z118045 -UN-01JAN94

HYDROSTATIC DRIVE MOTOR KIT



Z118045

2B24

POWER TRAIN

HYDROSTATIC DRIVE MOTOR KIT - CONTINUED

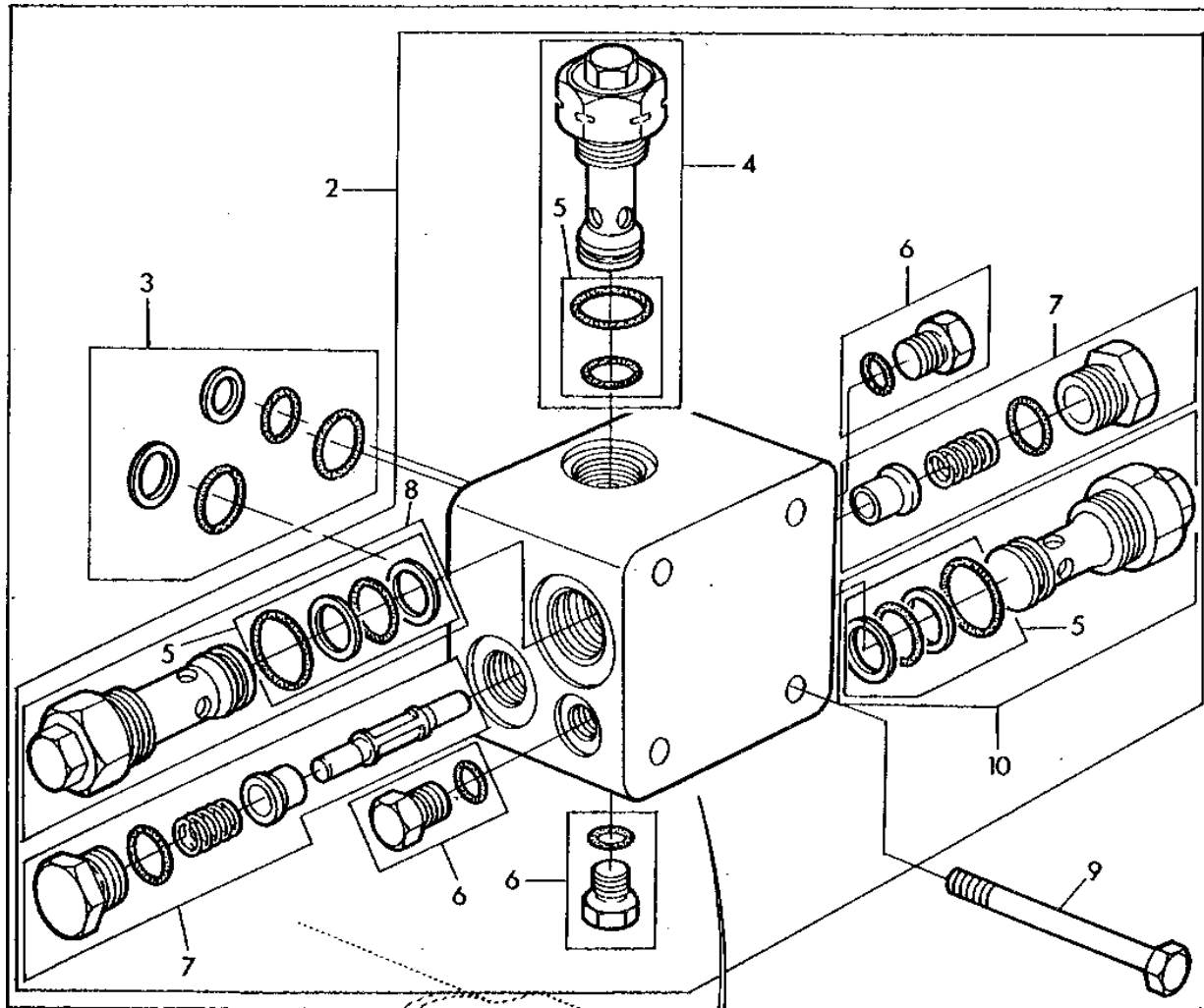
KEY	PART NO.	PART NAME	QTY	SERIAL NO.	4 4 4 3 4 5 3 H 5 Y	REMARKS
1	AZ42075	KIT	1		X	
2	Z53122	GASKET	1		X	
3	AH112677	PISTON	1		X	PKG. OF (9)
4	Z53123	PLATE	1		X	
5	AZ42076	SUPPORT	1		X	
6	AZ42077	KIT	1		X	
7	H63271	PIN	2		X	
8	Z53124	VALVE	1		X	

2C1

POWER TRAIN

Z117391 -UN-01JAN94

HYDROSTATIC MOTOR VALVE



Z117391

2C2

POWER TRAIN

HYDROSTATIC MOTOR VALVE - CONTINUED

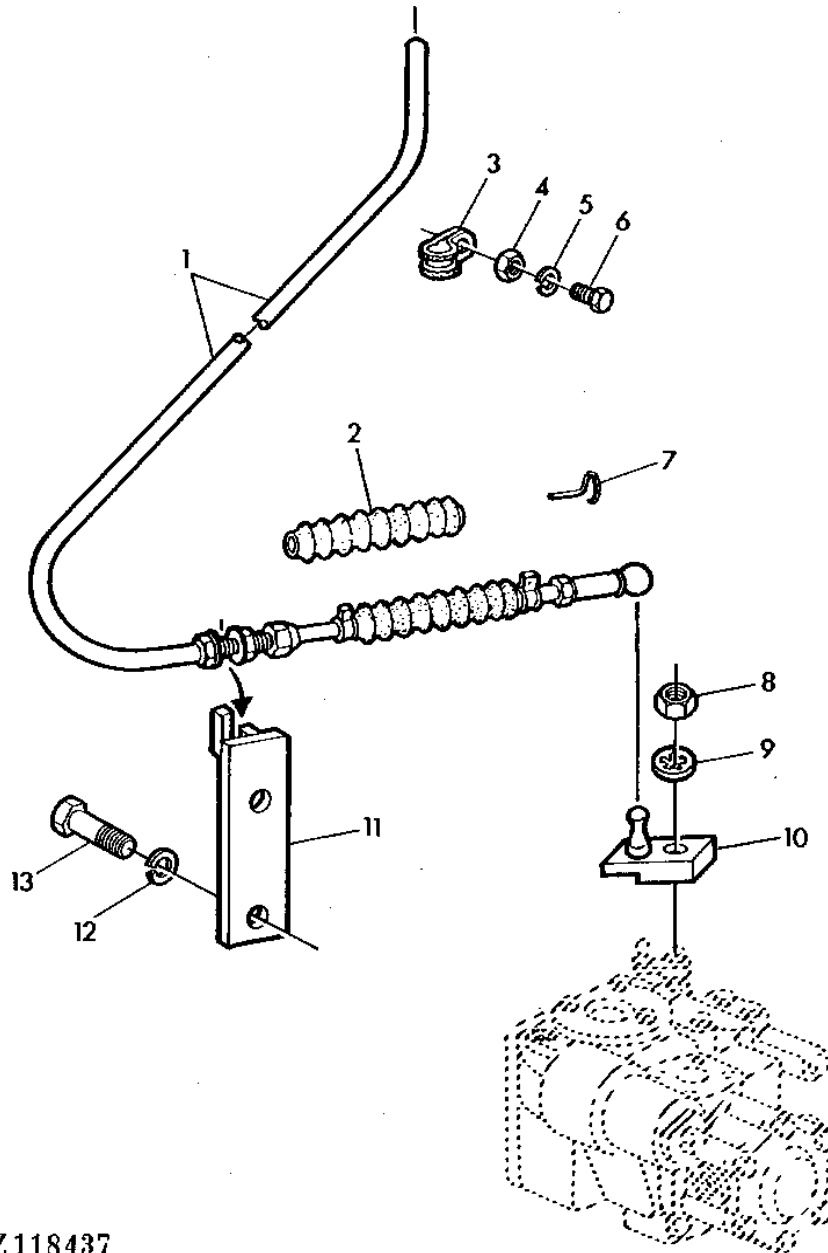
KEY	PART NO.	PART NAME	QTY	SERIAL NO.	4 4 4 3 4 5 3 H 5 Y	REMARKS
1	AZ42080	CASE	1		X	
2	AZ42081	VALVE STACK	1		X	
3	AN122515	RELIEF VALVE	1		X	
4	AN122497	RELIEF VALVE	1		X	
5	AZ42092	GANG	3		X	
6	AZ42084	SCREW	3		X	
7	AN122523	SEAL KIT	1		X	
8	AZ42082	VALVE	2		X	
9	Z53129	SCREW	4		X	
10	AZ42082	VALVE	1		X	MARKED "500"
	AZ42495	VALVE	1		X	AR, MARKED "625"

2C3

POWER TRAIN

Z118437 -UN-01JAN94

HYDROSTATIC DRIVE CONTROL CABLE MOUNTING



Z118437

2C4

POWER TRAIN

HYDROSTATIC DRIVE CONTROL CABLE MOUNTING - CONTINUED

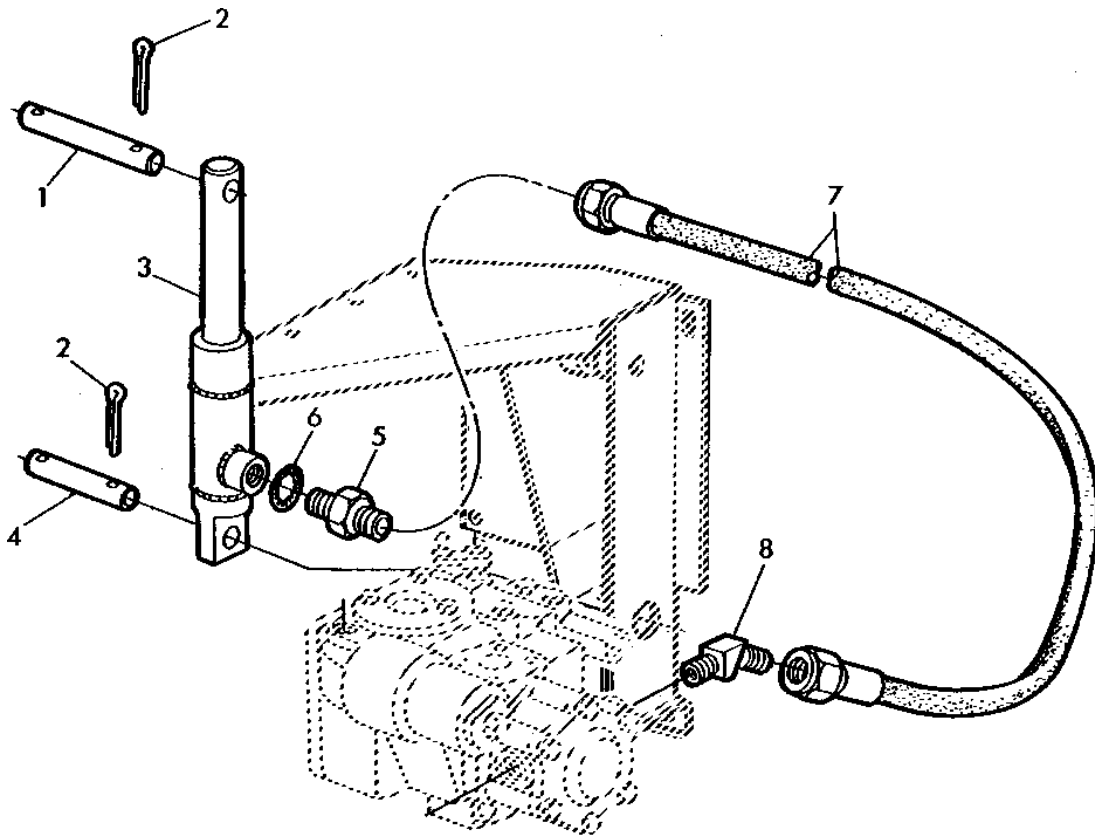
KEY	PART NO.	PART NAME	QTY	SERIAL NO.	4 4 4 3 4 5 3 H 5 Y	REMARKS
1	AZ28521	PUSH PULL CABLE	1		X	
2	Z41811	BOOT	2		X	
3	Z22064	CLAMP	AR		X	
4	14M7027	NUT	AR		X	M6
5	12M7012	LOCK WASHER	AR		X	6.100 MM
6	19M7580	CAP SCREW	AR		X	M6 X 28
7	56M7007	BALL JOINT RETAINER	1		X	
8	14H958	NUT	1		X	5/16"
9	Z53197	LOCK PLATE	1		X	
10	AZ42212	VALVE	1		X	
11	AZ42042	RETAINER	1		X	
12	12M7014	LOCK WASHER	2		X	12.200 MM
13	19M7171	CAP SCREW	2		X	M12 X 35

2C5

POWER TRAIN

Z118383 -UN-01JAN94

HYDRAULIC BELT TENSIONING SYSTEM



Z118383

2C6

POWER TRAIN

HYDRAULIC BELT TENSIONING SYSTEM - CONTINUED

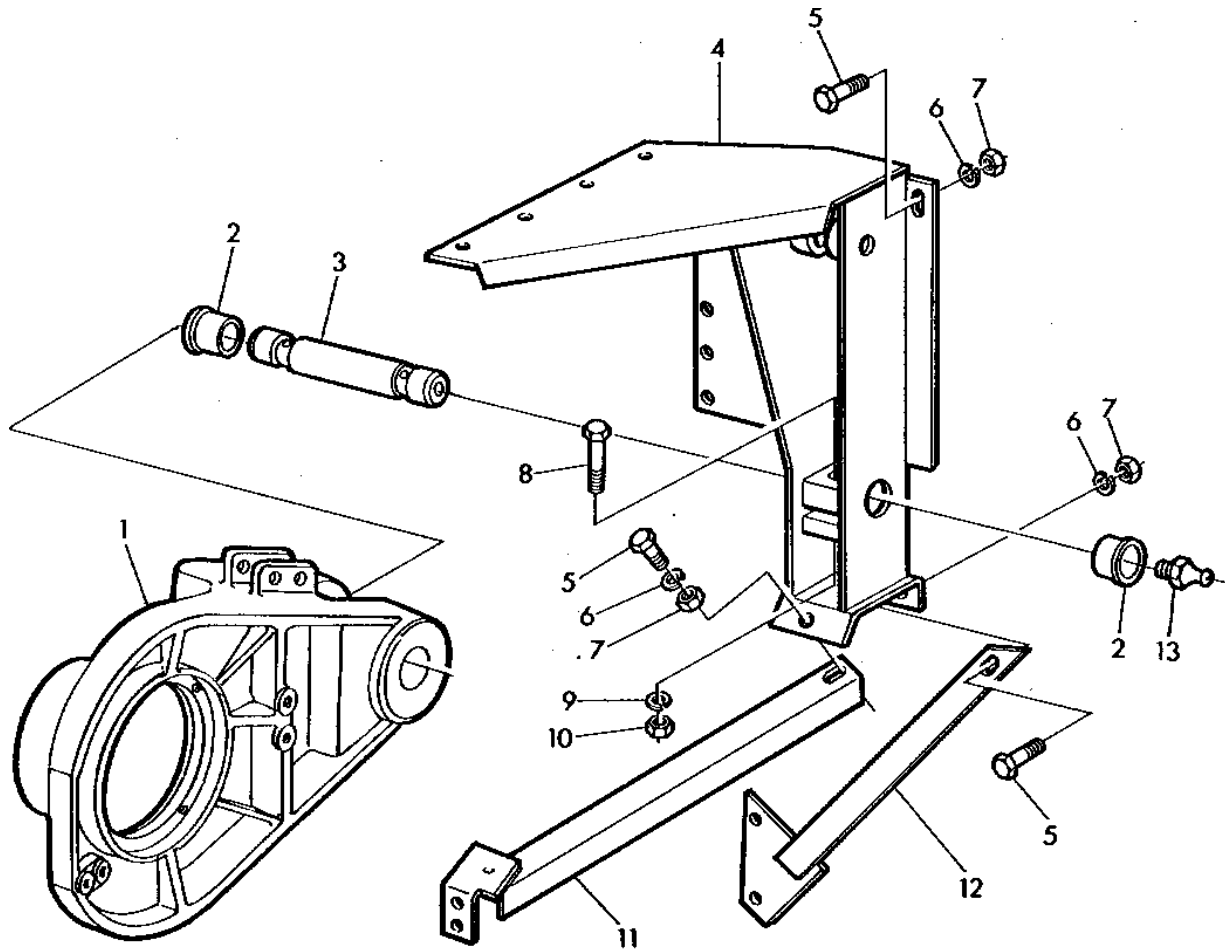
KEY	PART NO.	PART NAME	QTY	SERIAL NO.	4 4 4 3 4 5 3 H 5 Y	REMARKS
1	Z46707	PIN	1		X	
2	11M7020	COTTER PIN	AR		X	4 X 22 MM
3	AZ42361	HYDRAULIC CYLINDER	1		X	
4	Z46708	PIN	1		X	
5	H75414	ADAPTER	1		X	
6	R26448	O-RING	1		X	
7	AZ41445	HYDRAULIC HOSE	3		X	
8	AH99398	ELBOW FITTING	1		X	
..	AZ42362	SEAL KIT	1		X	

2C7

POWER TRAIN

Z118337 -UN-01JAN94

HYDROSTATIC DRIVE CHARGE PUMP MOUNTING



Z118337

2C8

POWER TRAIN

HYDROSTATIC DRIVE CHARGE PUMP MOUNTING - CONTINUED

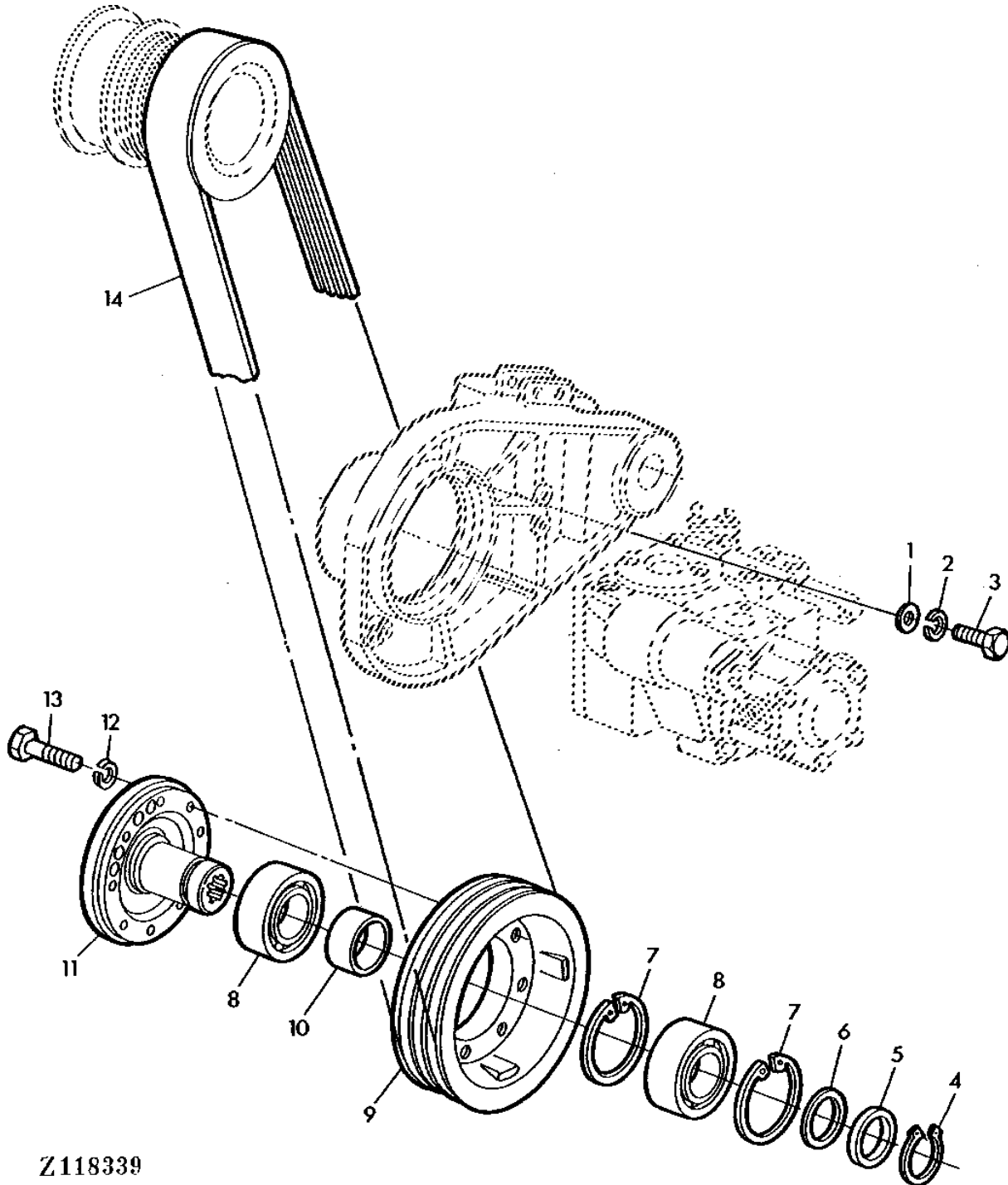
KEY	PART NO.	PART NAME	QTY	SERIAL NO.	4 4 4 3 4 5 3 H 5 Y	REMARKS
1	Z11748	SUPPORT	1		X	
2	Z46702	BUSHING	2		X	
3	Z46704	PIN	1		X	
4	AZ42331	BEAM	1		X	
5	19M7167	CAP SCREW	AR		X	M10 X 25
6	12M7013	LOCK WASHER	AR		X	10.200 MM
7	14M7140	NUT	AR		X	M10
8	19M7349	CAP SCREW	1		X	M12 X 95
9	12M7014	LOCK WASHER	1		X	12.200 MM
10	14M7031	NUT	1		X	M12
11	AZ42344	BRACE	1		X	
12	AZ42333	BRACE	1		X	(SUB AZ44168)
	AZ44168	BRACE	1		X	
13	58M7006	LUBRICATION FITTING	1		X	

2C9

POWER TRAIN

Z118339 -UN-01JAN94

HYDROSTATIC DRIVE UNIT, SHEAVES AND BELT



Z118339

2C10

POWER TRAIN

HYDROSTATIC DRIVE UNIT, SHEAVES AND BELT - CONTINUED

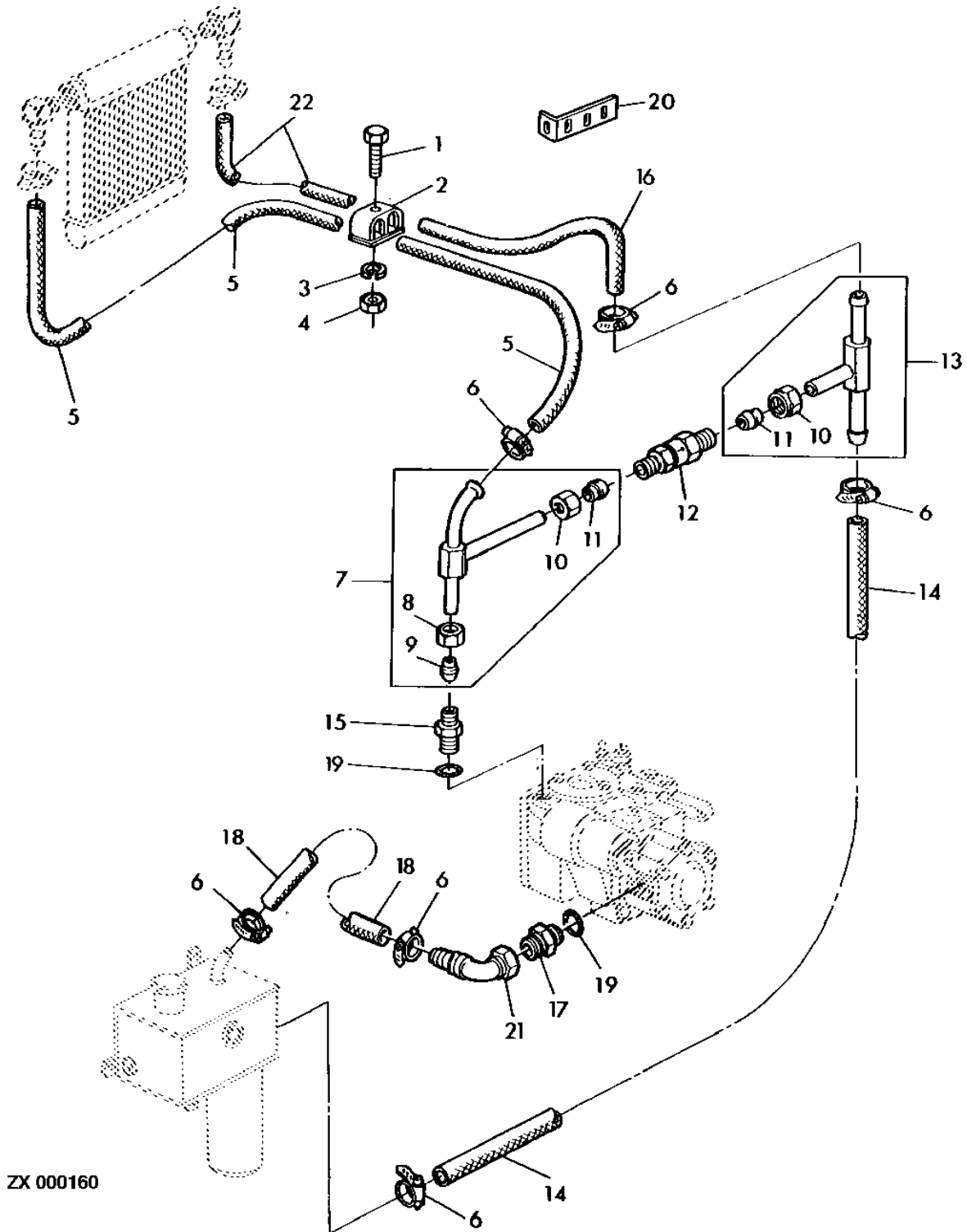
KEY	PART NO.	PART NAME	QTY	SERIAL NO.	4 4 4 3 4 5 3 H 5 Y	REMARKS
1	24M7085	WASHER	AR		X	15 X 28 X 2.500 MM
2	12M7009	LOCK WASHER	AR		X	14.200 MM
3	19M7335	CAP SCREW	4		X	M14 X 45
4	40M1843	SNAP RING	1		X	60 X 2 MM
5	24M7173	WASHER	AR		X	60 X 75 X 3 MM
6	24M7215	SHIM	AR		X	0.100 MM
	24M7214	SHIM	AR		X	0.500 MM
7	40M5427	SNAP RING	2		X	110 X 4 MM
8	JD8548	BALL BEARING	2		X	
9	Z11814	SHEAVE	1		X	
10	Z37499	SPACER	1		X	
11	Z11749	FLANGE	1		X	
12	12M7008	LOCK WASHER	AR		X	8.100 MM
13	19M7288	CAP SCREW	AR		X	M8 X 30
14	Z53290	BELT	1		X	

2C11

POWER TRAIN

ZX000160 -UN-11JUL96

HYDROSTATIC DRIVE UPPER OIL LINES AND HOSES



2C12

POWER TRAIN

HYDROSTATIC DRIVE UPPER OIL LINES AND HOSES - CONTINUED

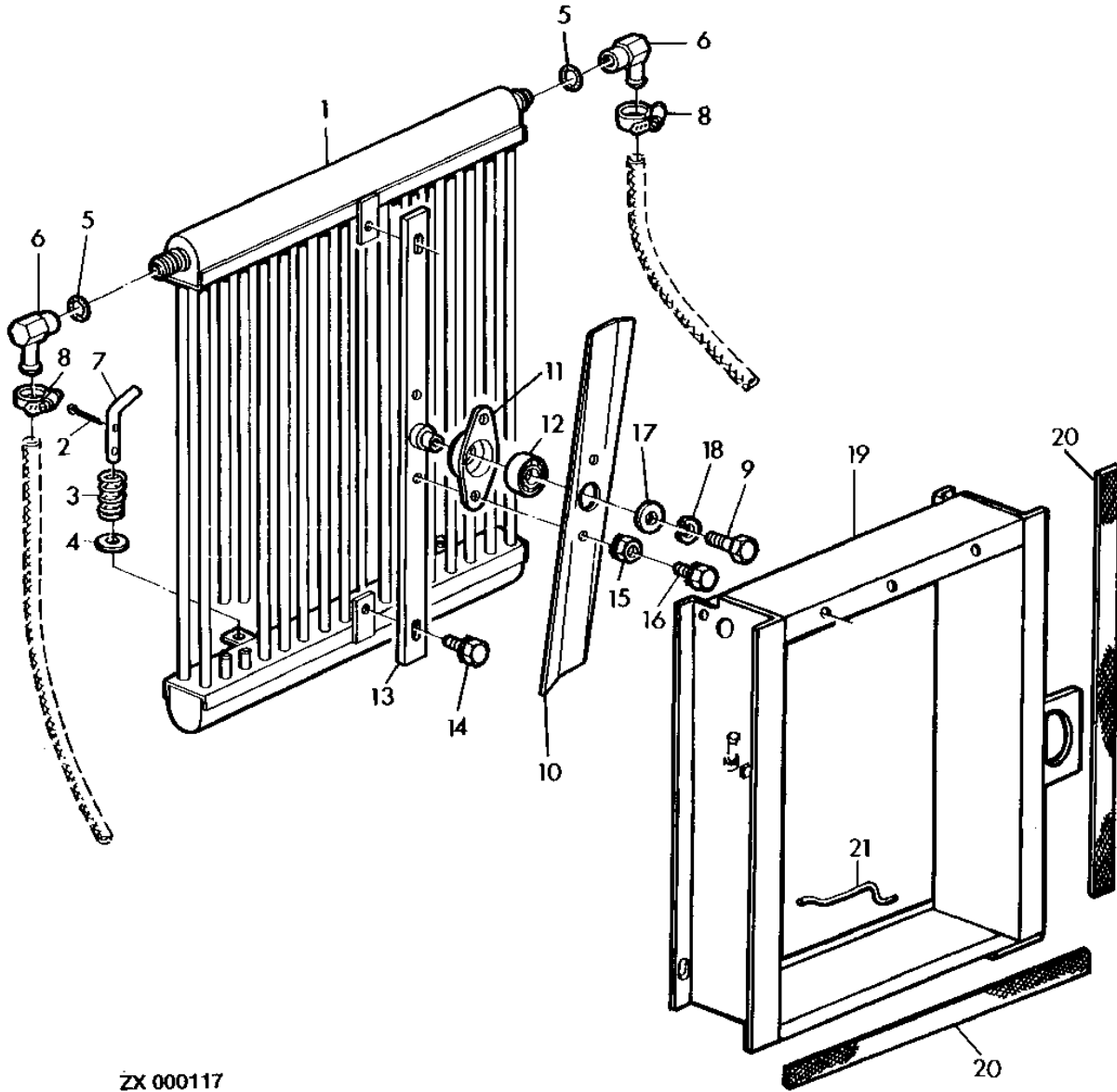
KEY	PART NO.	PART NAME	QTY	SERIAL NO.	4 4 4 3 4 5 3 H 5 Y	REMARKS
1	19M7299	CAP SCREW	AR		X	M6 X 45
2	Z39185	CLAMP	3		X	
3	12M7012	LOCK WASHER	AR		X	6.100 MM
4	14M7027	NUT	AR		X	M6
5	Z53386	HYDRAULIC HOSE	1		X	
6	Z26822	CLAMP	5		X	
7	AZ42386	TEE FITTING	1		X	
8	Z53305	TUBE NUT	1		X	
9	Z53306	SLEEVE FITTING	1		X	
10	Z32972	TUBE NUT	2		X	
11	Z51239	SLEEVE FITTING	2		X	
12	AZ26402	CHECK VALVE	1		X	
13	AZ37589	TEE FITTING	1		X	
14	Z53379	HYDRAULIC HOSE	1		X	
15	Z53006	HYD. QUICK-CONNECT COUPLER	1		X	
16	Z53385	HYDRAULIC HOSE	1		X	
17	Z53380	HYD. QUICK-CONNECT COUPLER	1		X	
18	Z53378	HYDRAULIC HOSE	1		X	
19	R29936	O-RING	1		X	
20	Z42773	LOOM	1		X	
21	AZ42388	FITTING	1		X	

2C13

POWER TRAIN

ZX000117 -UN-11JUL96

HYDROSTATIC DRIVE OIL COOLER AND FITTINGS



ZX 000117

2C14

POWER TRAIN

HYDROSTATIC DRIVE OIL COOLER AND FITTINGS - CONTINUED

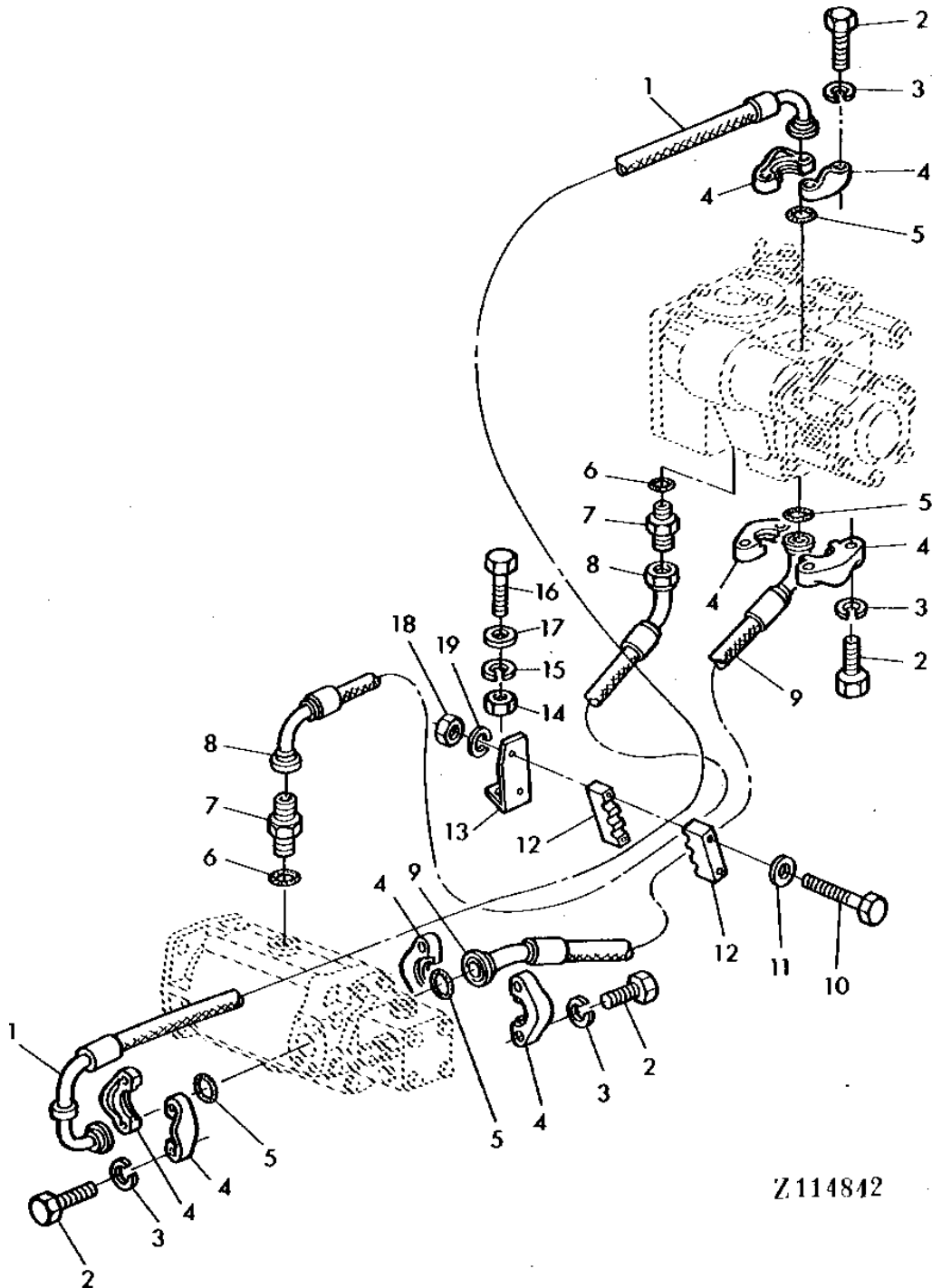
KEY	PART NO.	PART NAME	QTY	SERIAL NO.	4 4 4 3 4 5 3 H 5 Y	REMARKS
1	AZ34454	OIL COOLER	1		X	
2	11M7013	COTTER PIN	2		X	3.200 X 18 MM
3	289SEL	SPRING	2		X	
4	24M7036	WASHER	2		X	9 X 16 X 1.600 MM
5	F3171R	O-RING	2		X	
6	AZ28518	ELBOW FITTING	2		X	
7	Z37547	PIN	2		X	
8	Z26822	CLAMP	2		X	
9	19M7139	CAP SCREW	AR		X	M8 X 20
10	Z37194	FAN BLADE	1		X	
11	Z33854	PRESSED FLANGED HOUSING	1		X	
12	JD29980	BALL BEARING	1		X	
13	AZ27955	RETAINER	1		X	
14	19M7286	CAP SCREW	AR		X	M6 X 25
15	Z41039	LOCK NUT	AR		X	
16	Z38459	CAP SCREW	AR		X	
17	24M7024	WASHER	AR		X	9 X 28 X 3 MM
18	12M7008	LOCK WASHER	AR		X	8.100 MM
19	AZ28527	FRAME	1		X	
20	Z37171	WEATHERSTRIP	AR		X	
21	Z33073	SUPPORT	1		X	

2C15

POWER TRAIN

Z114842 -UN-01JAN94

HYDROSTATIC DRIVE LOWER OIL HOSES



Z114842

2C16

POWER TRAIN

HYDROSTATIC DRIVE LOWER OIL HOSES - CONTINUED

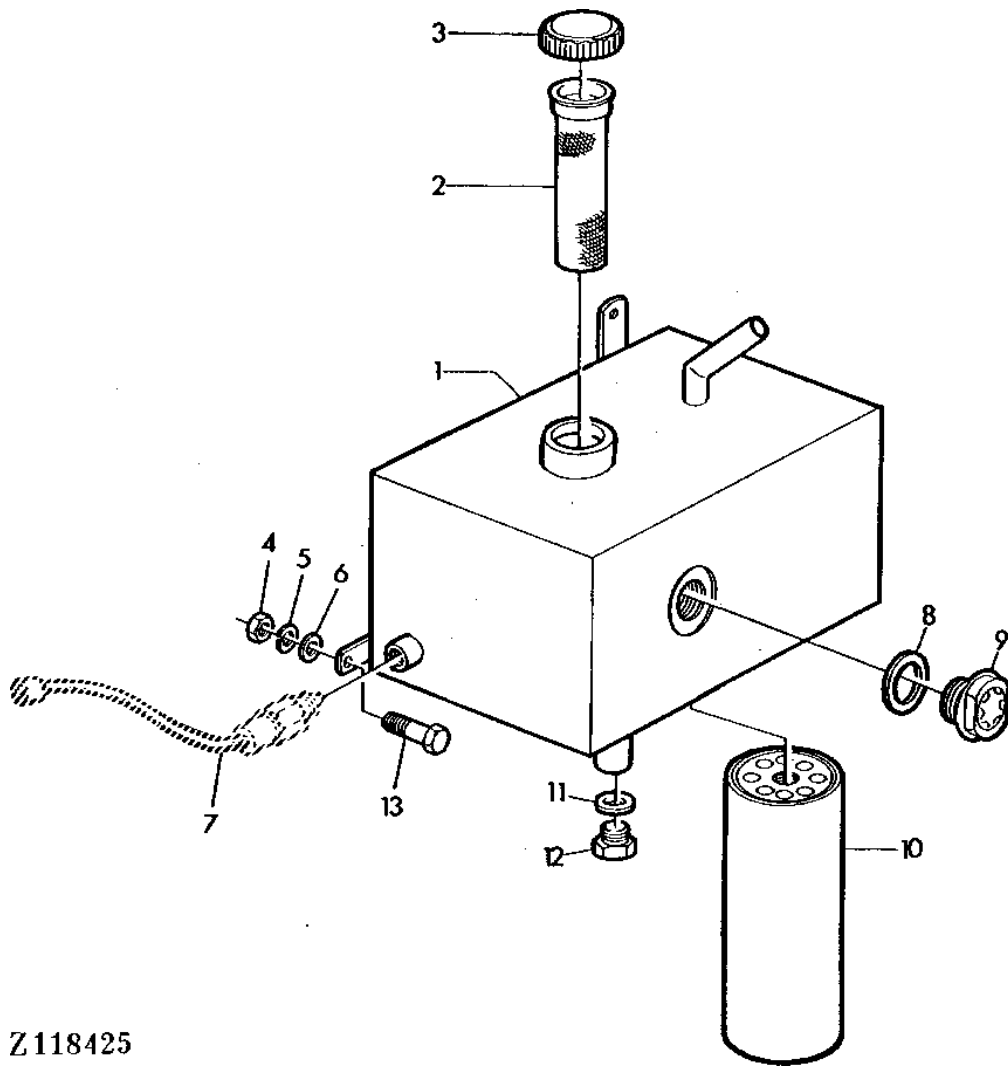
KEY	PART NO.	PART NAME	QTY	SERIAL NO.	4 4 4 3 4 5 3 H 5 Y	REMARKS
1	AZ41448	HYDRAULIC HOSE	1		X	
2	19H1740	CAP SCREW	AR		X	7/16" X 1-3/4"
3	12H293	LOCK WASHER	AR		X	7/16"
4	E73093	FLANGE FITTING	8		X	
5	H61355	O-RING	4		X	
6	R29936	O-RING	2		X	
7	Z53006	HYD. QUICK-CONNECT COUPLER	2		X	
8	AZ41447	HYDRAULIC HOSE	1		X	
9	AZ42390	HYDRAULIC HOSE	1		X	
10	19M7296	CAP SCREW	2		X	M8 X 100
11	24M7036	WASHER	AR		X	9 X 16 X 1.600 MM
12	Z53086	CLAMP	2		X	
13	Z48146	RETAINER	1		X	
14	14M7140	NUT	AR		X	M10
15	12M7013	LOCK WASHER	AR		X	10.200 MM
16	19M7167	CAP SCREW	AR		X	M10 X 25
17	24M7040	WASHER	AR		X	11 X 20 X 2 MM
18	14M7029	NUT	AR		X	M8
19	12M7008	LOCK WASHER	AR		X	8.100 MM

2C17

POWER TRAIN

Z118425 -UN-01JAN94

HYDROSTATIC DRIVE OIL RESERVOIR



Z118425

2C18

POWER TRAIN

HYDROSTATIC DRIVE OIL RESERVOIR - CONTINUED

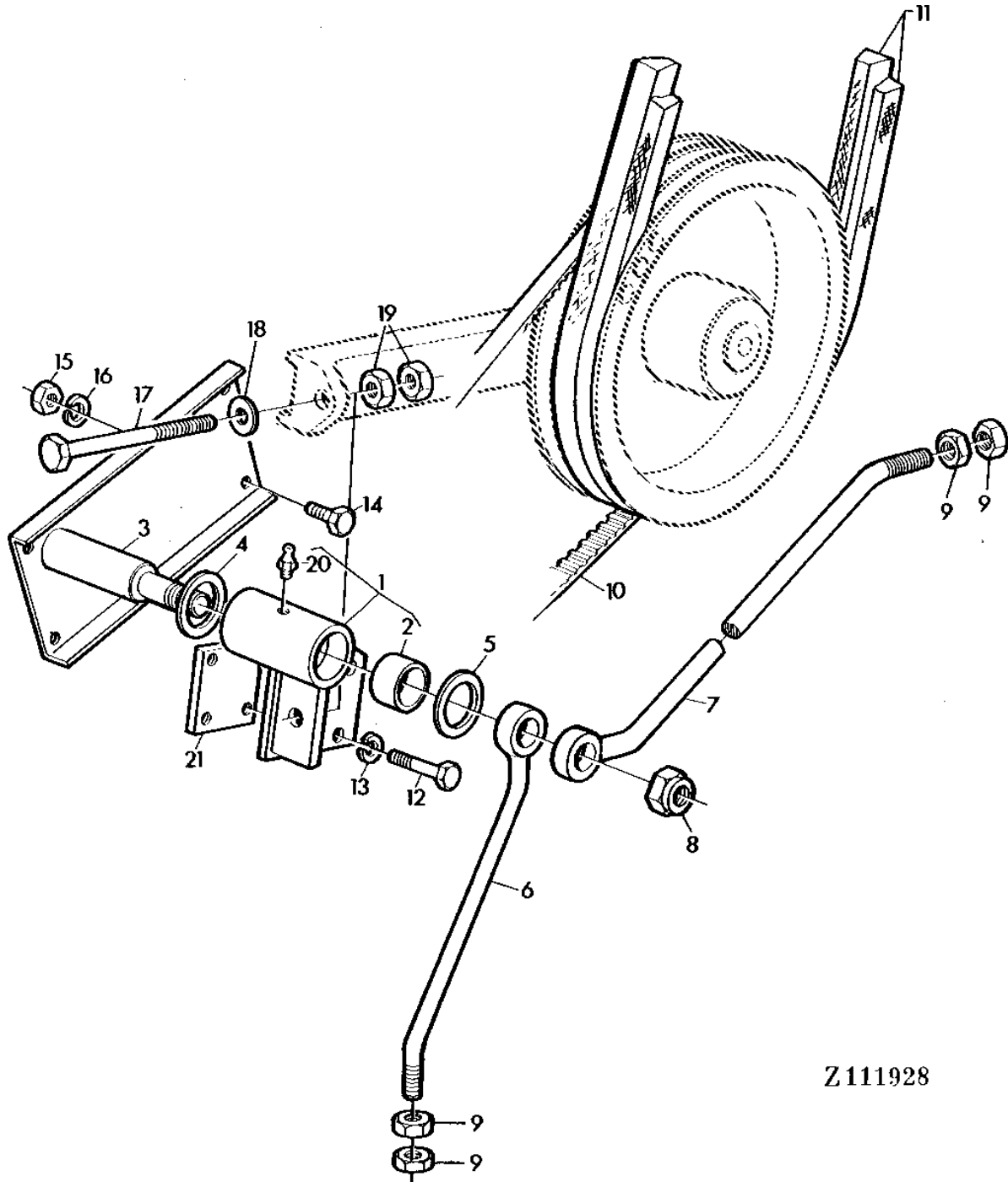
KEY	PART NO.	PART NAME	QTY	SERIAL NO.	4 4 4 3 4 5 3 H 5 Y	REMARKS
1	AZ36943	TANK	1		X	
2	AH76992	STRAINER	1		X	
3	99M7046	FILLER CAP	1		X	
4	14M7029	NUT	AR		X	M8
5	12M7008	LOCK WASHER	AR		X	8.100 MM
6	24M7036	WASHER	AR		X	9 X 16 X 1.600 MM
7	SENDER	1		X	SEE SECTION 040
8	U13639	O-RING	1		X	
9	AZ23076	SEDIMENT BOWL	1		X	
10	AZ36942	OIL FILTER	1		X	
11	51M4244	RING	1		X	
12	15M6650	DRAIN PLUG	1		X	
13	19M7139	CAP SCREW	AR		X	M8 X 20

2C19

POWER TRAIN

Z111928 -UN-01JAN94

POSI-TORQ SUPPORTS (UPPER UNIT)



Z111928

2C20

POWER TRAIN

POSI-TORQ SUPPORTS (UPPER UNIT) - CONTINUED

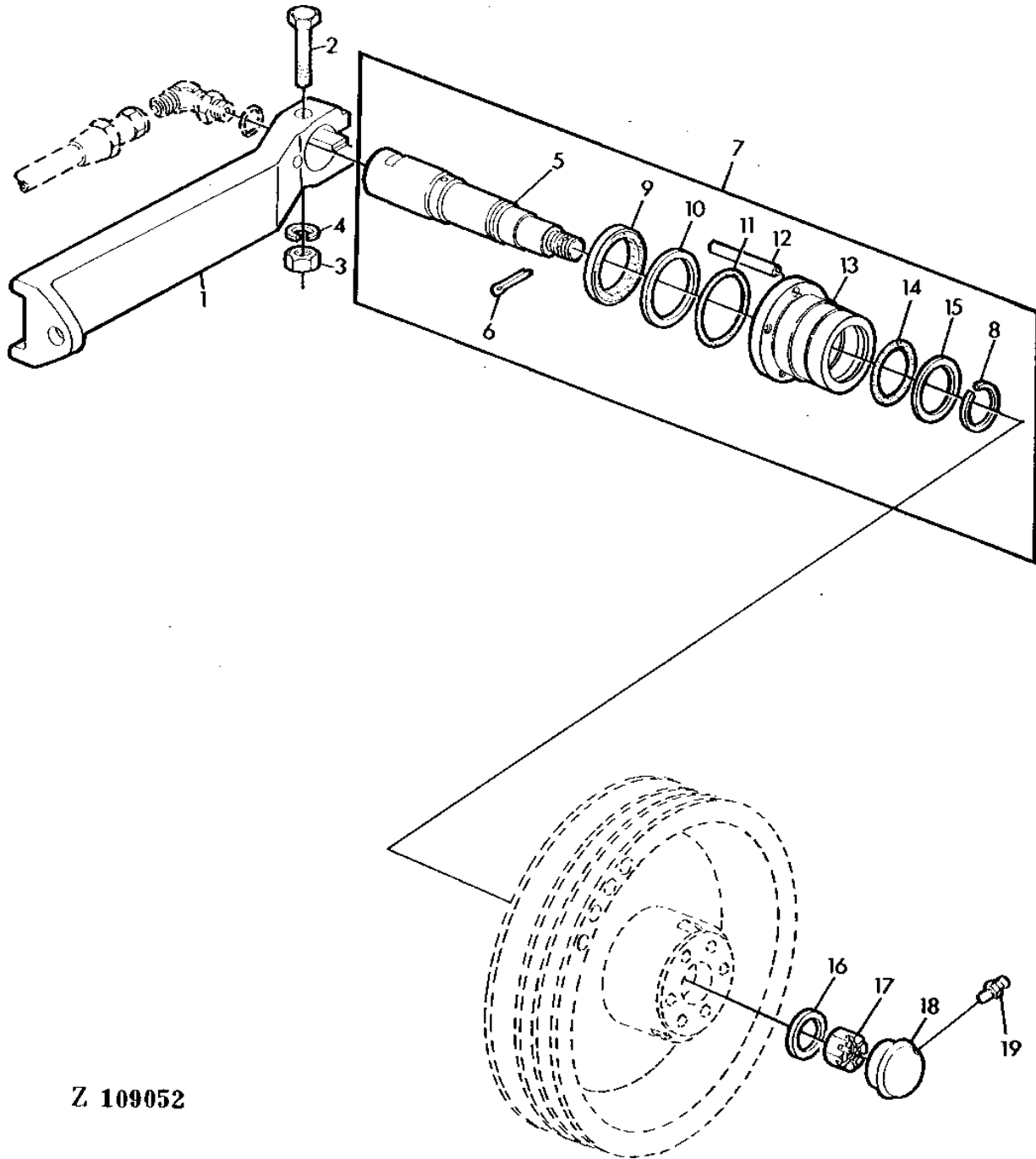
KEY	PART NO.	PART NAME	QTY	SERIAL NO.	4 4 4 3 4 5 3 H 5 Y	REMARKS
1	AZ27210	BRACKET	1		X	INCL.KEYS 2,20
2	Z34097	BUSHING	2		X	
3	AZ22911	SUPPORT	1		X	
4	Z34089	WASHER	2		X	
5	24M7103	WASHER	1		X	17.500 X 56 X 5 MM
6	Z34098	EYEBOLT	1		X	
7	Z44705	EYEBOLT	1		X	
8	14M7170	LOCK NUT	1		X	M16
9	14M7142	NUT	4		X	M16
10	Z34099	BELT	1		X	
11	AZ37807	BELT	1		X	PACKG (2)
12	19M7214	CAP SCREW	4		X	M12 X 70
13	12M7014	LOCK WASHER	AR		X	12.200 MM
14	19M7380	CAP SCREW	AR		X	M10 X 22
15	14M7140	NUT	AR		X	M10
16	12M7013	LOCK WASHER	AR		X	10.200 MM
17	08H3782	CAP SCREW	1		X	1/2" X 10"
18	24M7111	WASHER	AR		X	13 X 25 X 3 MM
19	14H809	NUT	2		X	1/2"
20	58M7004	LUBRICATION FITTING	1		X	M6 X 1
21	Z34095	BRACKET	1		X	

2C21

POWER TRAIN

Z109052 -UN-01JAN94

POSI-TORQ COUNTERSHAFT AND ARM (UPPER UNIT)



Z 109052

2C22

POWER TRAIN

POSI-TORQ COUNTERSHAFT AND ARM (UPPER UNIT) - CONTINUED

KEY	PART NO.	PART NAME	QTY	SERIAL NO.	4 4 4 3 4 5 3 H 5 Y	REMARKS
1	Z11620	ARM	1		X	(SUB Z12334)
	Z12334	ARM	1		X	
2	19H2133	CAP SCREW	1		X	5/8" X 4-1/2"
3	14H760	NUT	1		X	5/8"
4	12H294	LOCK WASHER	1		X	5/8"
5	H85989	ROD	1		X	
6	11H218	COTTER PIN	1		X	3/16" X 1-1/2"
7	AH87130	CYLINDER	1		X	
8	M3827T	SNAP RING	1		X	
9	A16529	SEAL	1		X	
10	H30463	BACK-UP RING	1		X	
11	R26863	O-RING	1		X	
12	34H323	SPRING PIN	1		X	
13	H85993	HUB	1		X	
14	U11017	O-RING	1		X	
15	H85988	BACK-UP RING	1		X	
16	T25922	WASHER	1		X	
17	14H902	NUT	1		X	
18	H89171	CAP	1		X	
19	JD7797	LUBRICATION FITTING	1		X	

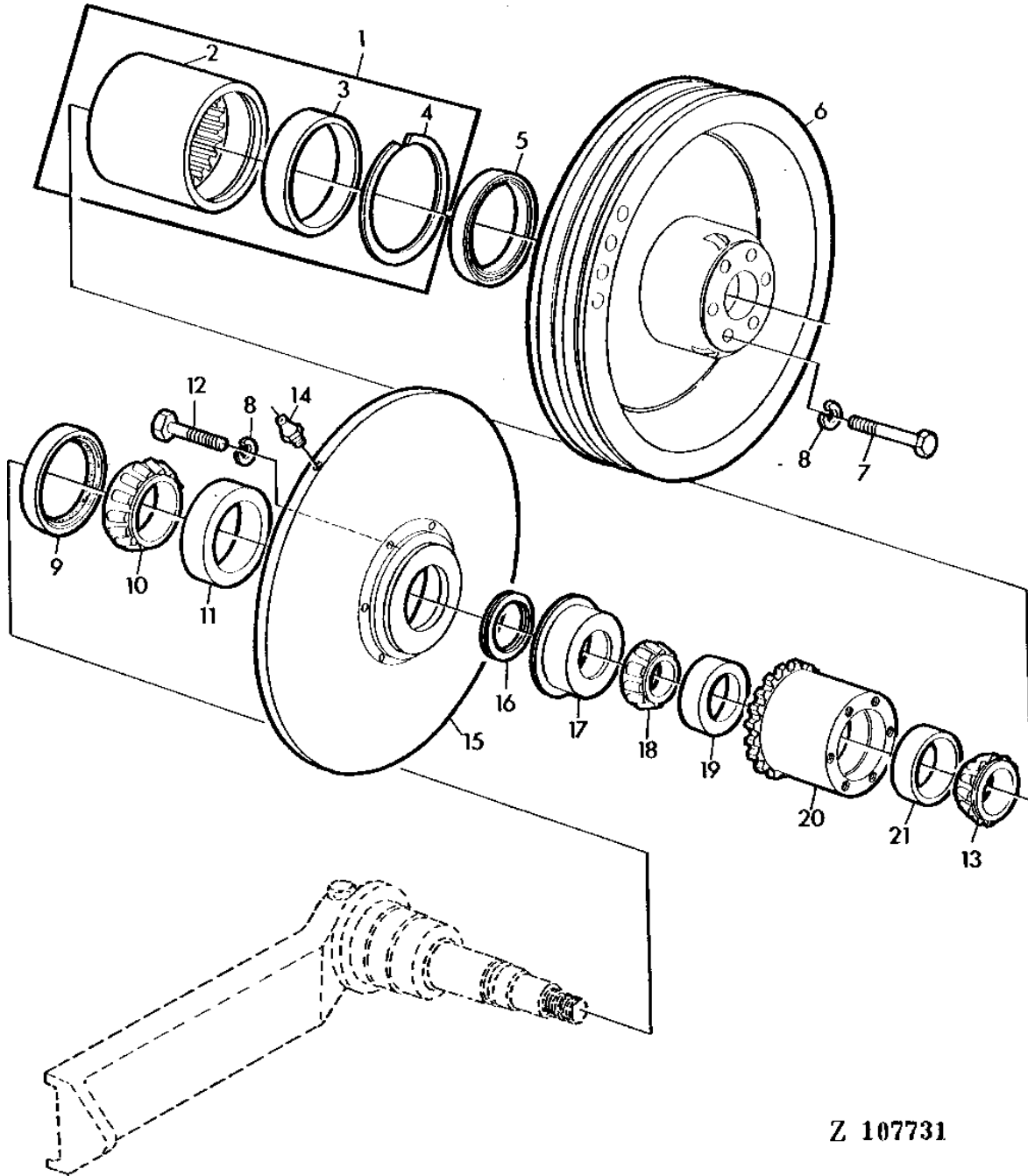
2C23

POWER TRAIN

Z107731

-UN-01JAN94

POSI-TORQ SHEAVES (UPPER UNIT)



Z 107731

2C24

POWER TRAIN

POSI-TORQ SHEAVES (UPPER UNIT) - CONTINUED

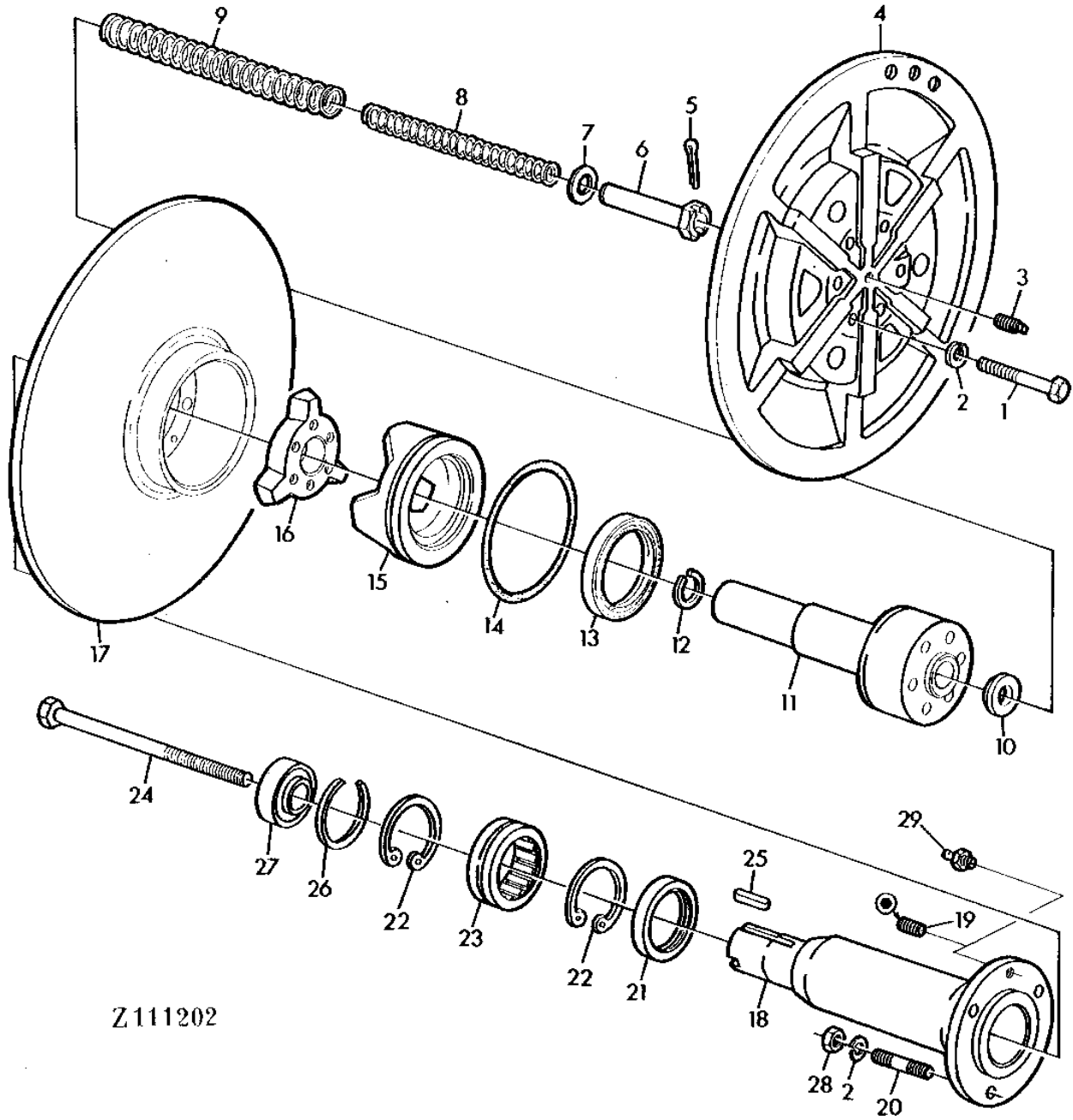
KEY	PART NO.	PART NAME	QTY	SERIAL NO.	4 4 4 3 4 5 3 H 5 Y	REMARKS
1	AH87132	SLEEVE	1		X	
2	H85990	HUB	1		X	
3	H86011	SPACER	1		X	
4	P48691	SNAP RING	1		X	
5	AH87141	SEAL	1		X	
6	Z11591	SHEAVE	1		X	
7	19H2552	CAP SCREW	6		X	3/8" X 1-1/8"
8	12H304	LOCK WASHER	12		X	3/8"
9	AH87140	SEAL	1		X	
10	JD9079	BEARING CONE	1		X	
11	JD9137	BEARING CUP	1		X	
12	19H2023	CAP SCREW	6		X	3/8" X 3-1/4"
13	JD8930	BEARING CUP	1		X	
14	JD7759	LUBRICATION FITTING	1		X	1/8"
15	H84667	HALF SHEAVE	1		X	
16	H85987	SNAP RING	1		X	
17	H86012	BUSHING	1		X	
18	JD8968	BEARING CONE	1		X	
19	JD7424	BEARING CUP	1		X	
20	H85991	HUB	1		X	
21	JD8252	BEARING CUP	1		X	

2D1

POWER TRAIN

Z111202 -UN-01JAN94

POSI-TORQ SHEAVES (LOWER UNIT)



Z111202

2D2

POWER TRAIN

POSI-TORQ SHEAVES (LOWER UNIT) - CONTINUED

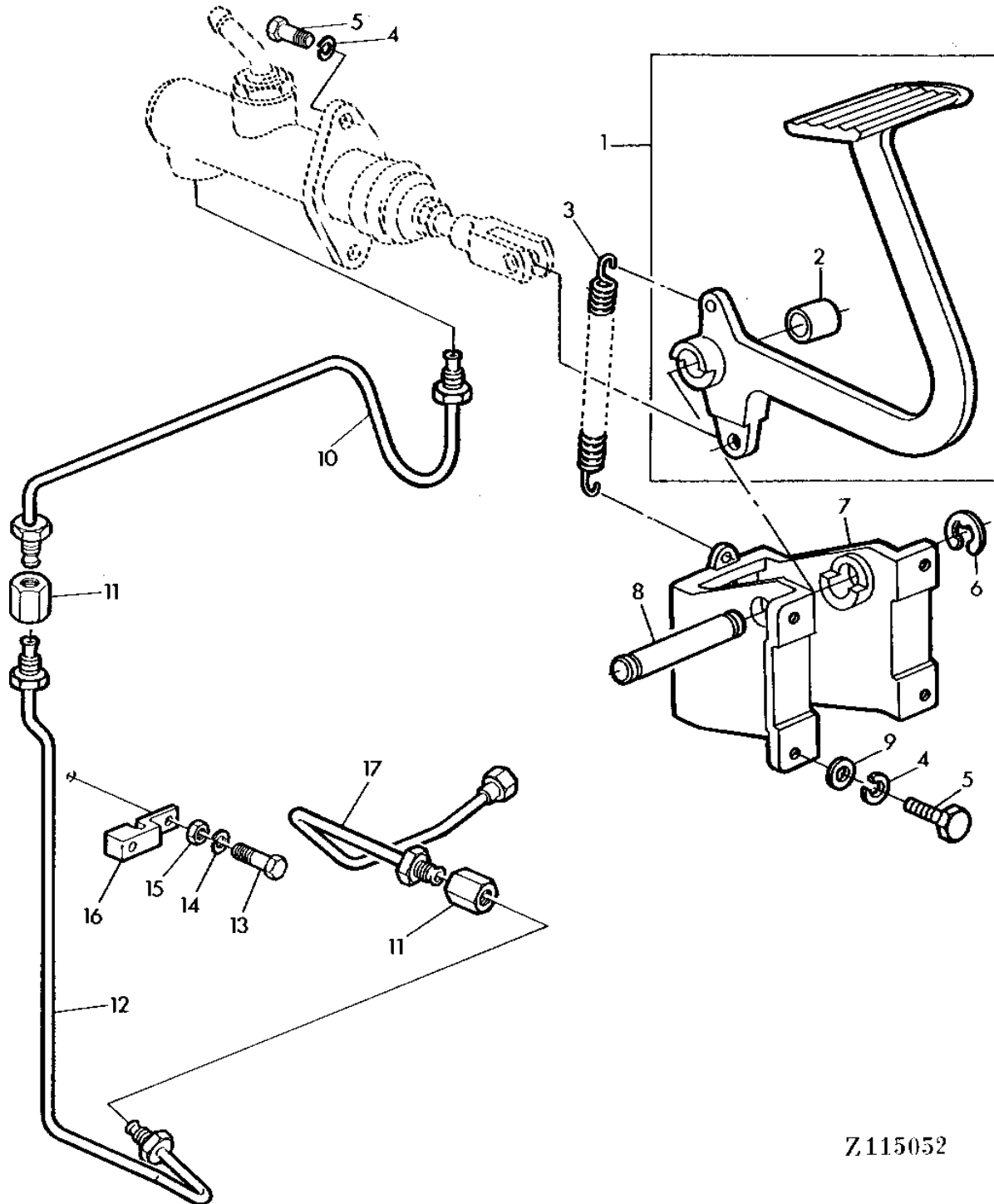
KEY	PART NO.	PART NAME	QTY	SERIAL NO.	4 4 4 3 4 5 3 H 5 Y	REMARKS
1	19H1781	CAP SCREW	6		X	1/2" X 3-1/2"
2	12H301	LOCK WASHER	9		X	1/2"
3	15H638	PIPE PLUG	1		X	1/8"
4	H84672	SHEAVE	1		X	
5	11H236	COTTER PIN	1		X	1/8" X 1"
6	Z34678	NUT	1		X	
7	24H1378	WASHER	1		X	11/16" X 1-15/32" X 0.134"
8	Z34679	COMPRESSION SPRING	1		X	
9	Z34692	COMPRESSION SPRING	1		X	
10	H86008	WASHER	1		X	
11	AZ35586	SHAFT	1		X	
12	H85994	SNAP RING	1		X	
13	AH96135	SEAL	1		X	
14	H85996	O-RING	1		X	
15	H86659	CAM	1		X	
16	H86660	CAM	1		X	
17	H84666	SHEAVE	1		X	
18	AZ35585	SHAFT	1		X	
19	22H1004	SET SCREW	1		X	1/4" X 1/2", (ORDER JD7788)
20	Z43547	STUD	3		X	ORDER WITH (3)14H809
21	AH87139	SEAL	1		X	
22	40M1873	SNAP RING	2		X	90 X 3MM
23	JD9913	BEARING	1		X	
24	Z34088	CAP SCREW	1		X	
25	T3142H	SHAFT KEY	1		X	
26	40M1871	SNAP RING	1		X	80 X 2,5MM
27	JD10087	BALL BEARING	1		X	
28	14H809	NUT	3		X	1/2"
29	JD7788	LUBRICATION FITTING	1		X	

2D3

POWER TRAIN

Z115052 -UN-01JAN94

HYDRAULIC CLUTCH OPERATING PARTS



Z115052

2D4

POWER TRAIN

HYDRAULIC CLUTCH OPERATING PARTS - CONTINUED

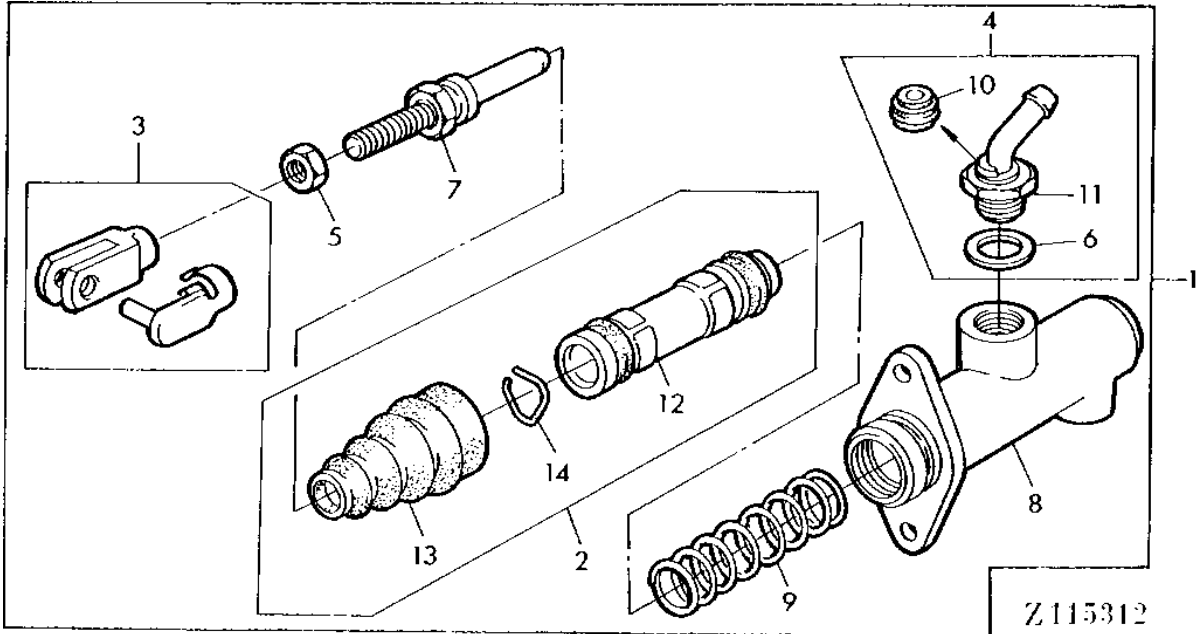
KEY	PART NO.	PART NAME	QTY	SERIAL NO.	4 4 4 3 4 5 3 H 5 Y	REMARKS
1	AZ36714	PEDAL	1		X	
2	B177R	BUSHING	1		X	
3	Z46097	EXTENSION SPRING	1		X	
4	12M7008	LOCK WASHER	AR		X	8.100 MM
5	19M7284	CAP SCREW	AR		X	M8 X 18
6	F2063R	SNAP RING	2		X	
7	Z11670	BRACKET	1		X	
8	T49189	PIN	1		X	
9	24M7179	WASHER	AR		X	8.400 X 24 X 2 MM
10	AZ37720	LINE	1		X	
11	Z47210	UNION FITTING	2		X	
12	AZ37714	LINE	1		X	
13	19M7580	CAP SCREW	AR		X	M6 X 28
14	12M7012	LOCK WASHER	AR		X	6.100 MM
15	14M7027	NUT	AR		X	M6
16	Z46088	RETAINER	6		X	
17	AZ36685	LINE	1		X	

2D5

POWER TRAIN

Z115312 -UN-01JAN94

CLUTCH MASTER CYLINDER



Z115312

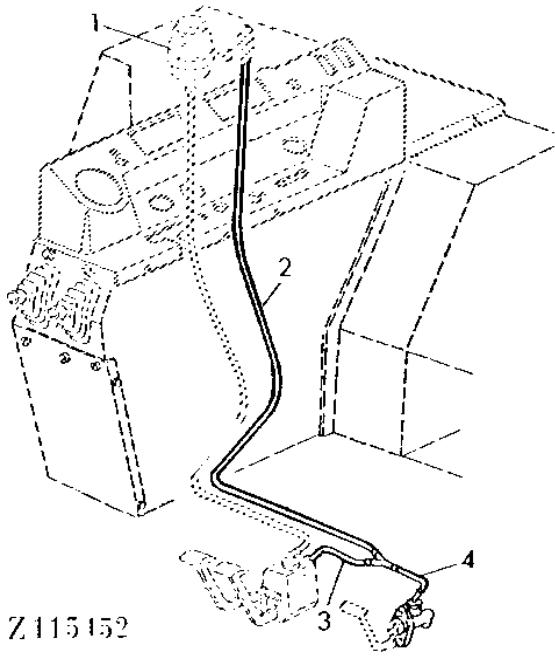
KEY	PART NO.	PART NAME	QTY	SERIAL NO.	REMARKS
					4
					4
					4 3
					4 5
					3 H
					5 Y
1	AZ37590	SENDER	1		X
2	AZ36716	SENDER	1		X
3	AZ36717	YOKE	1		X
4	AZ36718	ELBOW FITTING	1		X
5	14M7029	NUT	1		X M8
6	51M4244	RING	1		X 22 X 27 X 1,5MM
7	Z46098	PISTON PIN	1		X
8	HOUSING	1		X NOT SUPPLIED SEPARATELY, (ORDER AZ37590)
9	COMPRESSION SPRING	1		X NOT SUPPLIED SEPARATELY, (ORDER AZ37590)
10	PLUG	1		X NOT SUPPLIED SEPARATELY, (ORDER AZ36718)
11	FITTING	1		X NOT SUPPLIED SEPARATELY, (ORDER AZ36718)
12	PISTON	1		X NOT SUPPLIED SEPARATELY, (ORDER AZ36716)
13	GUARD	1		X NOT SUPPLIED SEPARATELY, (ORDER AZ36716)
14	SNAP RING	1		X NOT SUPPLIED SEPARATELY, (ORDER AZ36716)

2D6

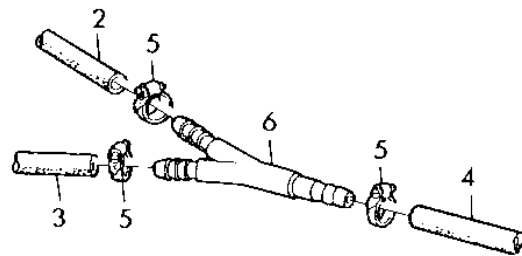
POWER TRAIN

Z115452 -UN-01JAN94

CLUTCH OIL LINES



Z115452



4
4
4 3
4 5
3 H
5 Y

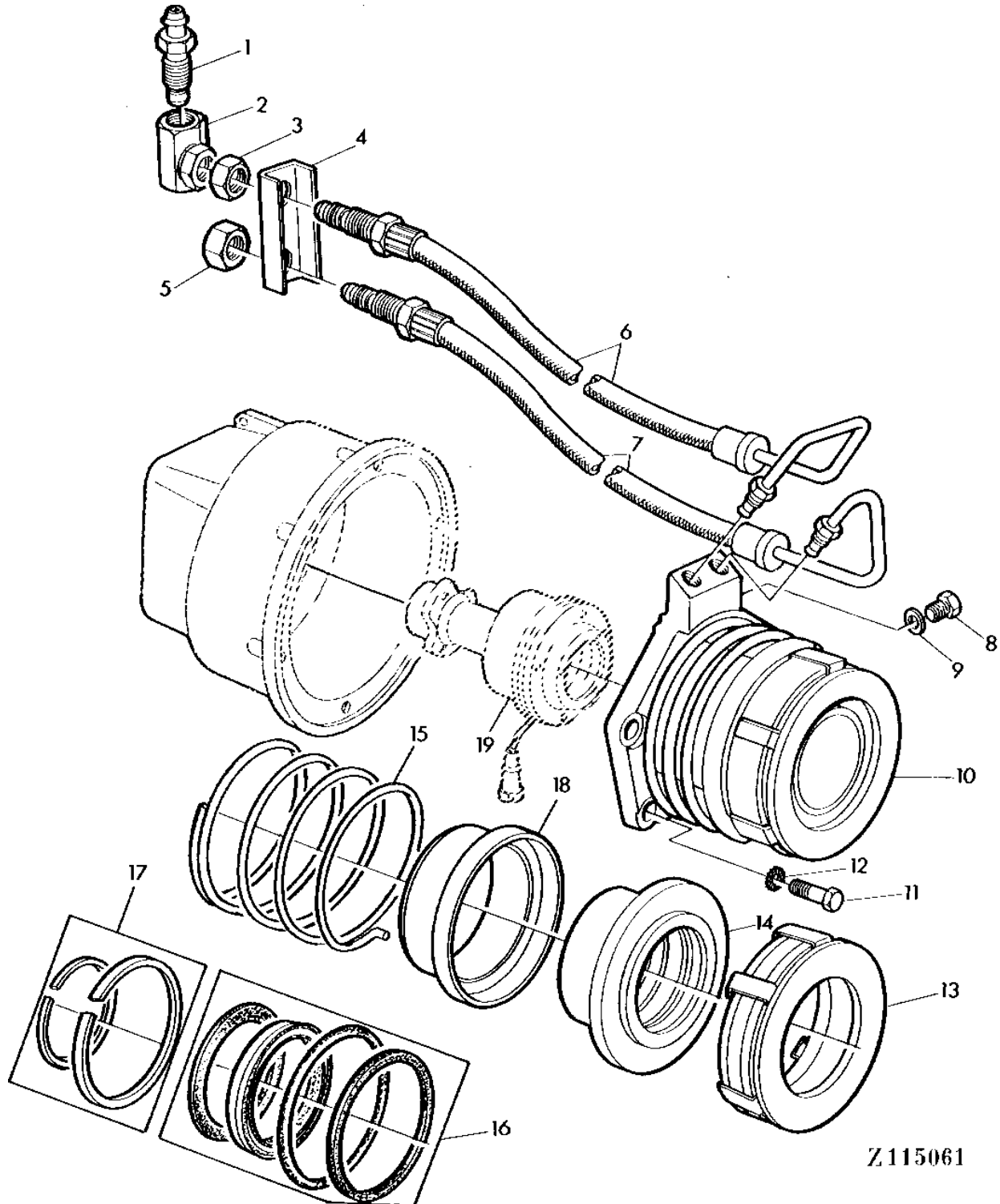
KEY	PART NO.	PART NAME	QTY	SERIAL NO.	REMARKS
1	ACCUMULATOR	1	X	SEE SECTION 060
2	Z40871	HOSE	1	X	1850MM (72.83") LONG
3	HOSE	1	X	1560MM (61.42") LONG, (CUT FROM Z40871)
4	Z40992	HOSE	1	X	
5	Z40671	CLAMP	3	X	
6	Z40990	FITTING	1	X	

2D7

POWER TRAIN

Z115061 -UN-01JAN94

CLUTCH SLAVE CYLINDER - ELECTRICAL TRANSMISSION BRAKE



Z115061

2D8

POWER TRAIN

CLUTCH SLAVE CYLINDER - ELECTRICAL TRANSMISSION BRAKE - CONTINUED

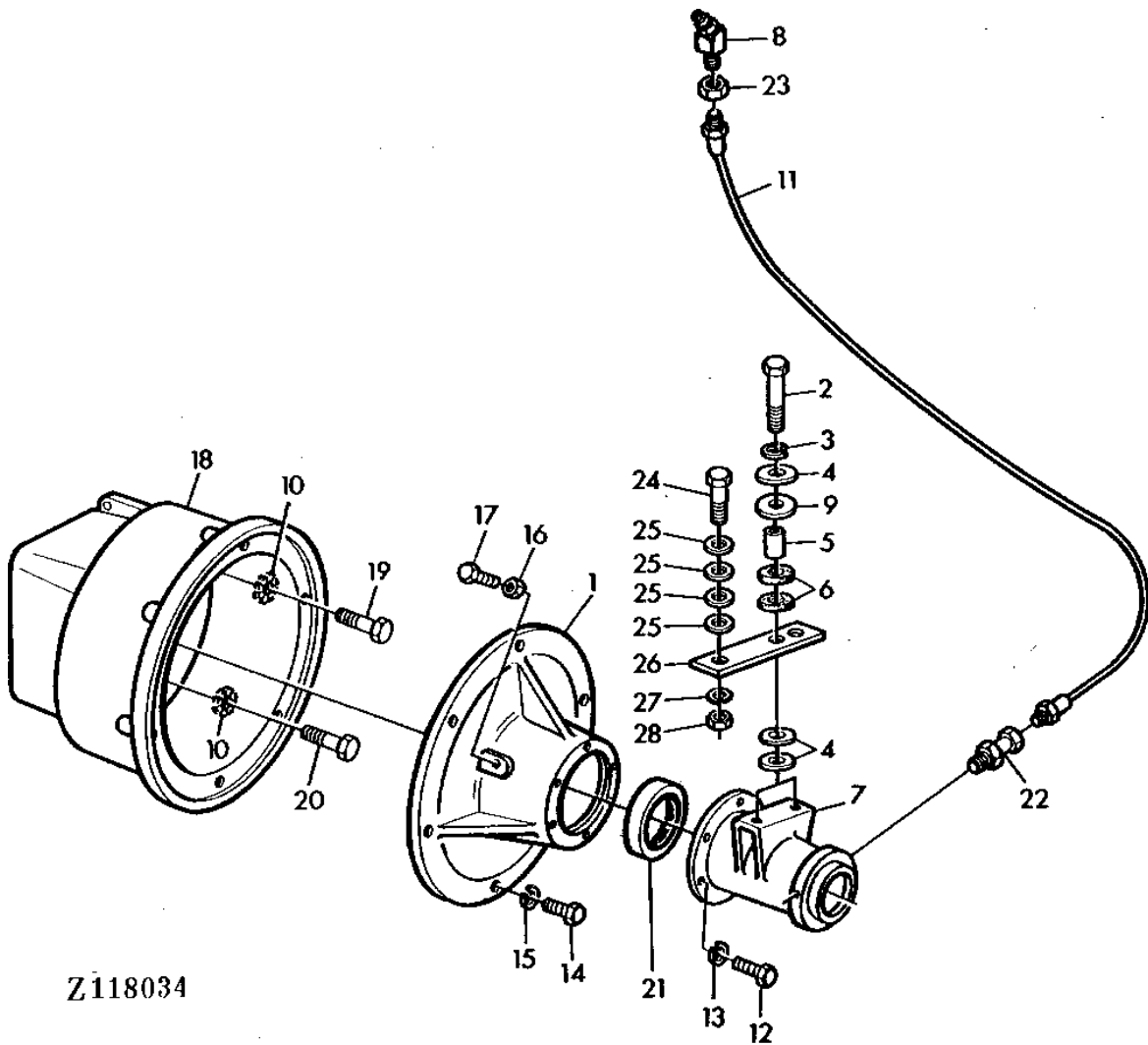
KEY	PART NO.	PART NAME	QTY	SERIAL NO.	4 4 4 3 4 5 3 H 5 Y	REMARKS
1	R21612	BLEED SCREW	1		X	
2	AZ34990	ELBOW FITTING	1		X	
3	14M7031	NUT	1		X	M12
4	Z47439	CHANNEL	1		X	
5	14M7156	NUT	4		X	M14
6	AZ39117	HYDRAULIC HOSE	1		X	
7	AZ36708	HYDRAULIC HOSE	1		X	
8	15M7023	DRAIN PLUG	1		X	M10 X 1
9	51M4232	RING	1		X	10 X 14MM
10	AZ36461	THROW-OUT BEARING	1		X	
11	19M7298	CAP SCREW	3		X	M8 X 35
12	12M7032	LOCK WASHER	3		X	8.400 MM
13	AZ37630	THROW-OUT BEARING	1		X	
14	L56498	PISTON	1		X	
15	L56497	COMPRESSION SPRING	1		X	
16	AZ37631	GASKET KIT	1		X	
17	AZ37641	GASKET KIT	1		X	
18	AL56541	CAP	1		X	
19	BRAKE	1		X	SEE SECTION 040

2D9

POWER TRAIN

Z118034 -UN-01JAN94

CLUTCH HOUSING DRIVE SHEAVE



Z118034

2D10

POWER TRAIN

CLUTCH HOUSING DRIVE SHEAVE - CONTINUED

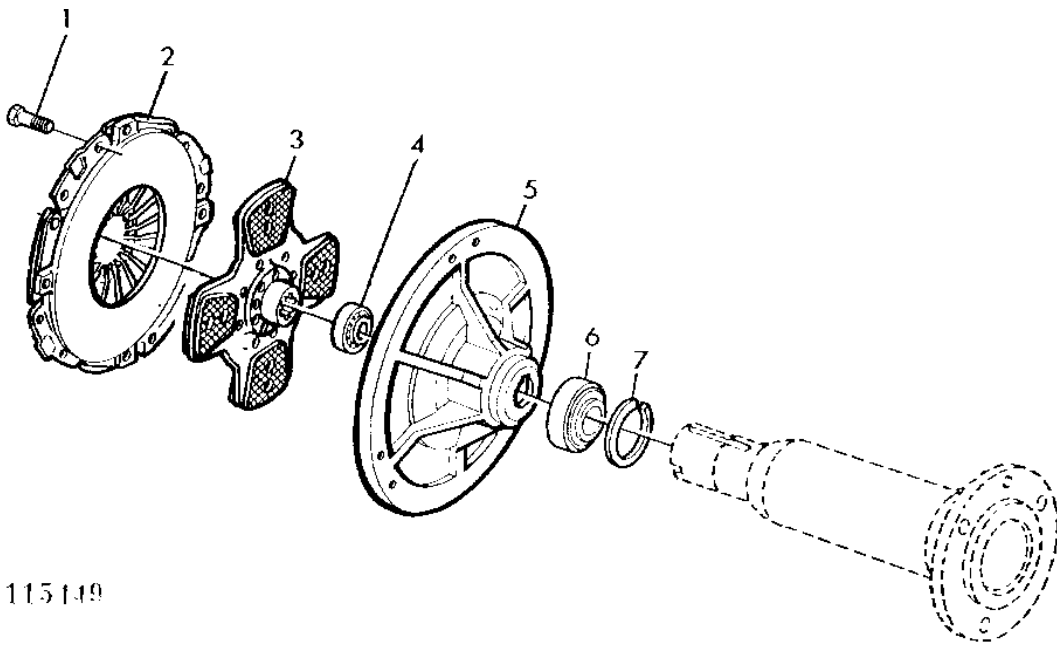
KEY	PART NO.	PART NAME	QTY	SERIAL NO.	4 4 4 3 4 5 3 H 5 Y	REMARKS
1	Z10971	FLANGE	1		X	
2	19H2060	CAP SCREW	2		X	1/2" X 3"
3	12H301	LOCK WASHER	2		X	1/2"
4	Z27661	WASHER	AR		X	
5	Z32610	SPACER	2		X	
6	P46413	ABSORBER	4		X	
7	Z11586	HOUSING	1		X	
8	JD7806	LUBRICATION FITTING	1		X	
9	24M7102	WASHER	2		X	13.500 X 44 X 4 MM
10	H20551	LOCK WASHER	5		X	
11	AN33278	HOSE	1		X	
12	19H1905	CAP SCREW	6		X	5/16" X 1"
13	12M7008	LOCK WASHER	AR		X	8.100 MM
14	19H2461	CAP SCREW	6		X	
15	12H304	LOCK WASHER	6		X	3/8"
16	14H785	NUT	2		X	5/16"
17	Z34710	CAP SCREW	2		X	
18	Z11671	HOUSING	1		X	
19	19H1821	CAP SCREW	2		X	7/16" X 1-1/4"
20	19H1740	CAP SCREW	3		X	7/16" X 1-3/4"
21	AZ35589	SEAL	1		X	
22	AN71222	ADAPTER	1		X	
23	E12379	NUT	1		X	
24	19M7387	CAP SCREW	1		X	M12 X 40
25	24M7047	WASHER	AR		X	13 X 24 X 2.500 MM
26	Z53174	STRAP	1		X	
27	12M7014	LOCK WASHER	1		X	12.200 MM
28	14M7031	NUT	1		X	M12

2D11

POWER TRAIN

Z115449 -UN-01JAN94

CLUTCH



Z115449

2D12

POWER TRAIN

CLUTCH - CONTINUED

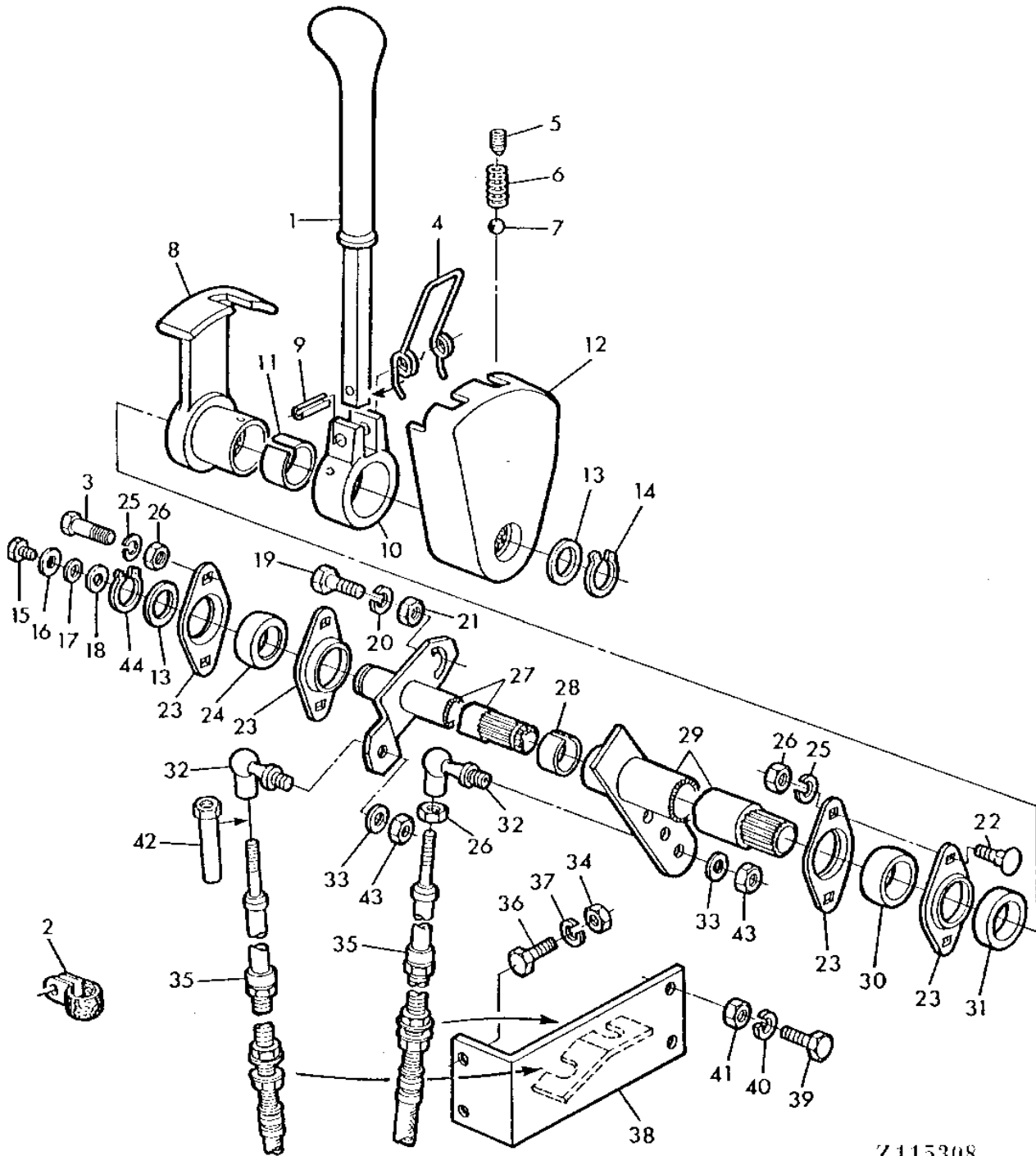
KEY	PART NO.	PART NAME	QTY	SERIAL NO.	4 4 4 3 4 5 3 H 5 Y	REMARKS
1	19M7376	CAP SCREW	8		X	M8 X 22
2	AZ35261	THRUST WASHER	1		X	
3	AZ42031	CLUTCH DISK	1		X	
4	AZ20825	BALL BEARING	1		X	
5	Z11585	CLUTCH PLATE	1		X	
6	JD10087	BALL BEARING	1		X	
7	40M1871	SNAP RING	1		X	80 X 2,5MM

2D13

POWER TRAIN

Z115308 -UN-01JAN94

GEAR SHIFTING PARTS



Z115308

2D14

POWER TRAIN

GEAR SHIFTING PARTS - CONTINUED

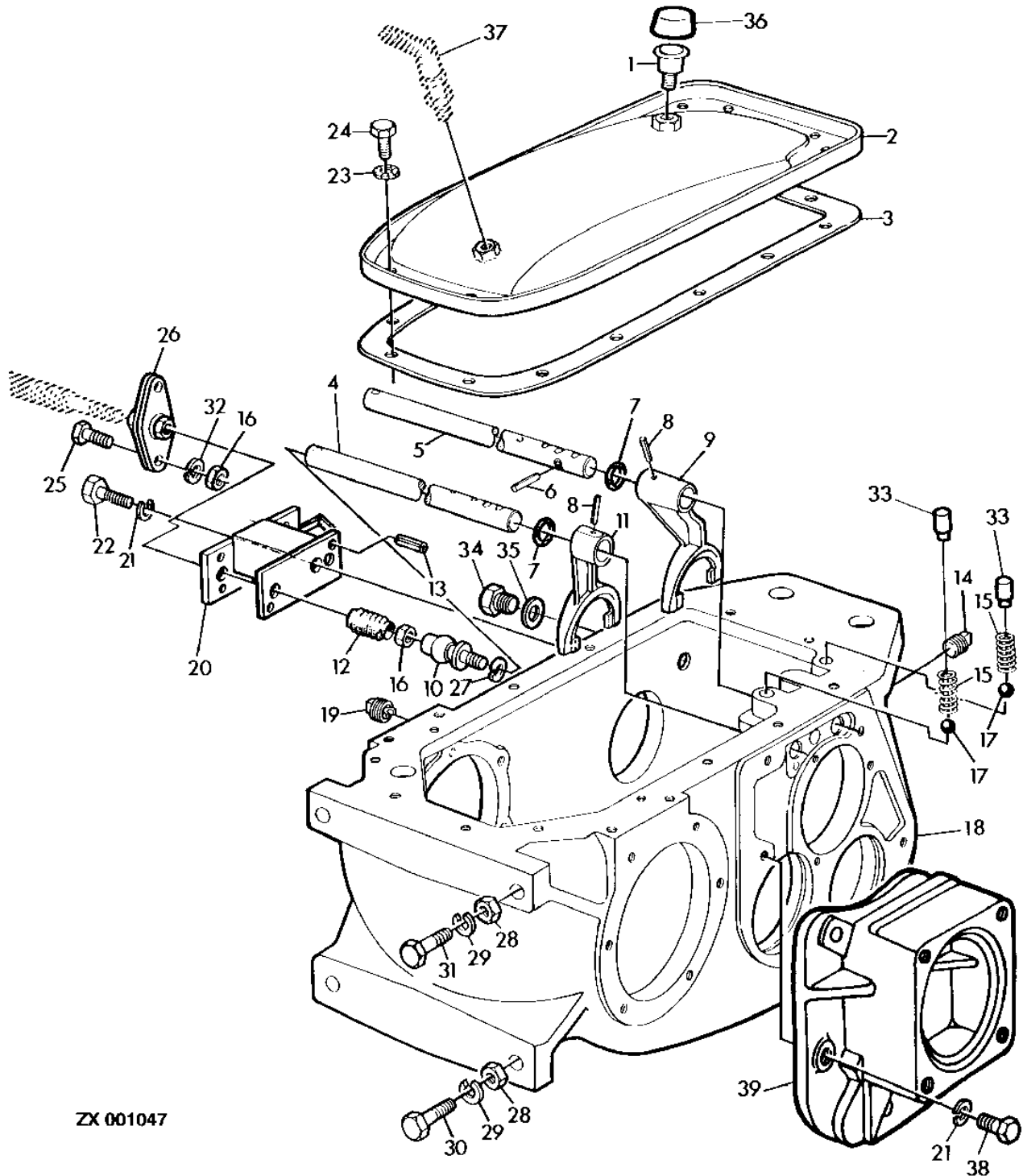
KEY	PART NO.	PART NAME	QTY	SERIAL NO.	4 4 4 3 4 5 3 H 5 Y	REMARKS
1	AZ35964	GRIP	1		X X	
2	Z22064	CLAMP	AR		X X	
3	19M7077	CAP SCREW	2		X X	M6 X 20
4	Z44373	SPRING	1		X X	
5	22M7081	SET SCREW	1		X X	M10 X 10
6	Z44374	COMPRESSION SPRING	1		X X	
7	R26552	BALL	1		X X	
8	AZ34637	QUADRANT	1		X X	INCL.KEY 11
9	34M7049	SPRING PIN	1		X X	8 X 50 MM
10	Z11533	DRIVER	1		X X	
11	Z44376	BUSHING	1		X X	
12	Z11532	ADJUSTER	1		X X	
13	24M7158	SHIM	AR		X X	0.500 MM
	24M4810	WASHER	AR		X X	20 X 28 X 1.400 MM
14	40M1825	SNAP RING	1		X X	20 X 1,2MM
15	19M7162	CAP SCREW	1		X X	M8 X 16
16	12M7072	LOCK WASHER	1		X X	8.400 MM
17	24M7179	WASHER	1		X X	8.400 X 24 X 2 MM
18	24M7055	WASHER	2		X X	8.400 X 16 X 1.600 MM
19	19M7303	CAP SCREW	1		X X	M12 X 45
20	12M7014	LOCK WASHER	1		X X	12.200 MM
21	14M7031	NUT	1		X X	M12
22	03M7092	BOLT	2		X X	M6 X 16
23	Z31372	PRESSED FLANGED HOUSING	4		X X	
24	Z44377	BEARING	1		X X	
25	12M7062	LOCK WASHER	AR		X X	6.400 MM
26	14M7027	NUT	AR		X X	M6
27	AZ39195	SHAFT	1		X X	
28	Z44375	BUSHING	1		X X	
29	AZ34638	SHIFTER ROD	1		X X	INCL.KEY 28
30	Z44378	BEARING	1		X X	
31	Z44379	SPACER	1		X X	
32	AZ35423	BALL JOINT	2		X X	
33	24M7028	WASHER	2		X X	10.500 X 20 X 2 MM
34	14M7140	NUT	AR		X X	M10
35	AZ34569	PUSH PULL CABLE	2		X X	
36	19M7166	CAP SCREW	AR		X X	M10 X 20
37	12M7013	LOCK WASHER	AR		X X	10.200 MM
38	AZ34643	RETAINER	1		X X	
39	19M7139	CAP SCREW	AR		X X	M8 X 20
40	12M7008	LOCK WASHER	AR		X X	8.100 MM
41	14M7029	NUT	AR		X X	M8
42	AZ35422	SLEEVE	1		X X	
43	14M7039	NUT	AR		X X	M10
44	40M7163	SNAP RING	1		X X	19 X 1,2MM

2D15

POWER TRAIN

ZX001047 -UN-11JUL96

TRANSMISSION CASE



ZX 001047

2D16

POWER TRAIN

TRANSMISSION CASE - CONTINUED

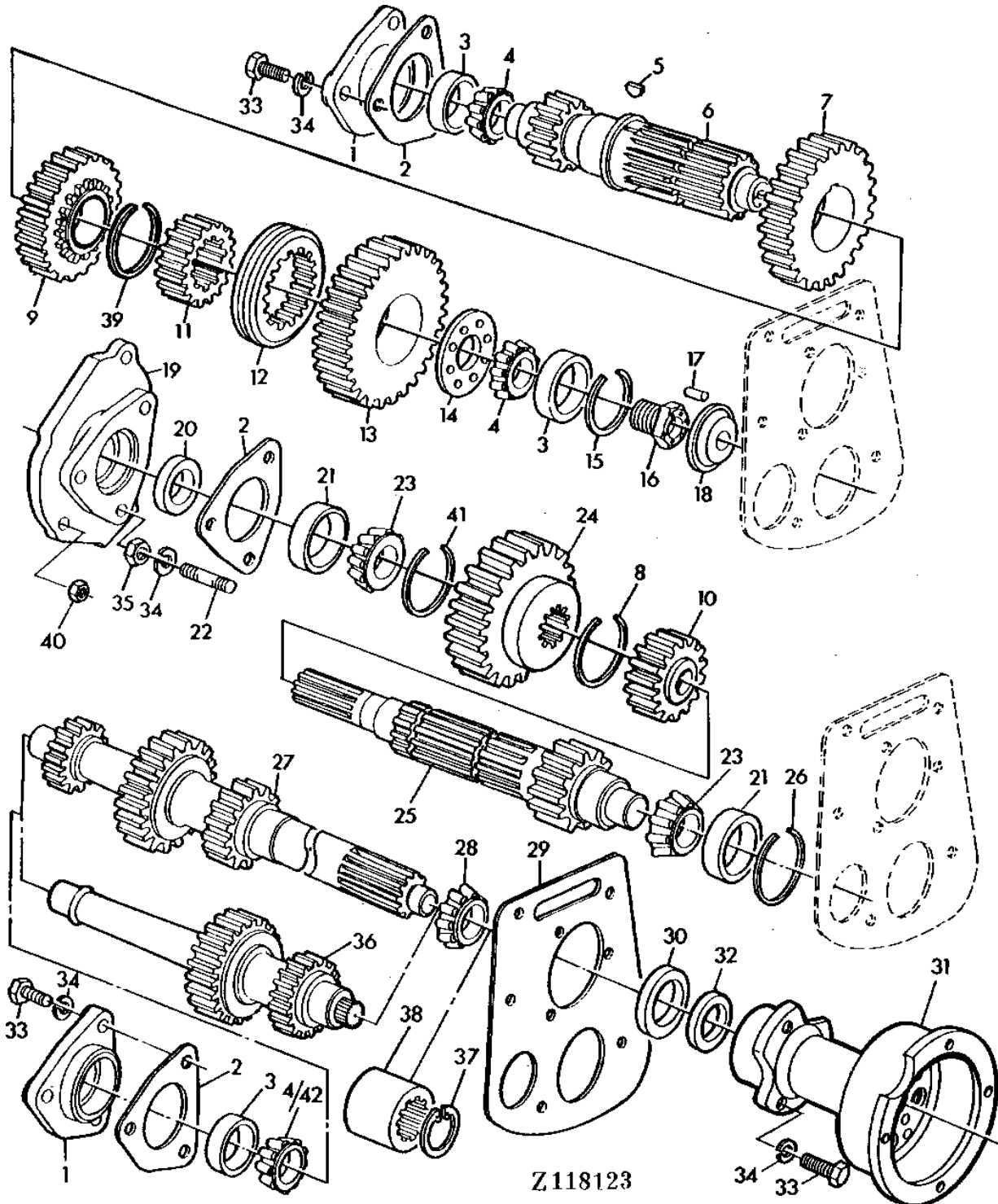
KEY	PART NO.	PART NAME	QTY	SERIAL NO.	4 4 4 3 4 5 3 H 5 Y	REMARKS
1	AH20868	BREATHER	1		X X	
2	AZ36744	COVER	1		X X	
3	P48666	GASKET	1		X X	
4	Z52344	SHIFTER ROD	1		X X	
5	Z48300	SHIFTER ROD	1		X X	
6	Z45144	PIN	1		X X	
7	Z29066	O-RING	1		X X	
8	34M7041	SPRING PIN	2		X X	6 X 36MM
9	Z11597	SHIFTER	1		X X	
10	AZ21471	BALL STUD	2		X X	
11	Z11839	SHIFTER	1		X X	
12	Z32405	BOOT	2		X X	
13	34M7038	SPRING PIN	2		X X	6 X 20 MM
14	15H238	PIPE PLUG	1		X X	3/4"
15	T24527	SPRING	2		X X	
16	14M7027	NUT	AR		X X	M6
17	405RH	BALL	2		X X	
18	Z11849	TRANSMISSION CASE	1		X X	(ALSO ORDER 15M7020 AND 51M4236)
19	AH18240	HOSE FITTING	1		X X	
20	AZ25875	SUPPORT	1		X X	
21	H20551	LOCK WASHER	AR		X X	
22	19H1822	CAP SCREW	1		X X	7/16" X 1"
23	12M7032	LOCK WASHER	14		X X	8.400 MM
24	19H1813	CAP SCREW	14		X X	5/16" X 5/8"
25	19M7375	CAP SCREW	AR		X X	M6 X 18
26	AZ21204	BALL JOINT	4		X X	
27	12M7008	LOCK WASHER	2		X X	8.100 MM
28	14H809	NUT	4		X X	1/2"
29	12H301	LOCK WASHER	4		X X	1/2"
30	R41514	CAP SCREW	2		X X	
31	Z37855	CAP SCREW	2		X X	
32	12M7012	LOCK WASHER	AR		X X	6.100 MM
33	Z47097	PIN	2		X X	
34	15M7020	DRAIN PLUG	1		X X	M14 X 1,5
35	51M4236	RING	1		X X	14 X 18MM
36	Z47891	GUARD	1		X X	
37	SENDER	1		X X	SEE SECTION 040
38	19H1821	CAP SCREW	AR		X	7/16" X 1-1/4"
39	Z11595	HOUSING	1		X	

2D17

POWER TRAIN

Z118123 -UN-01JAN94

TRANSMISSION GEARS



2D18

POWER TRAIN

TRANSMISSION GEARS - CONTINUED

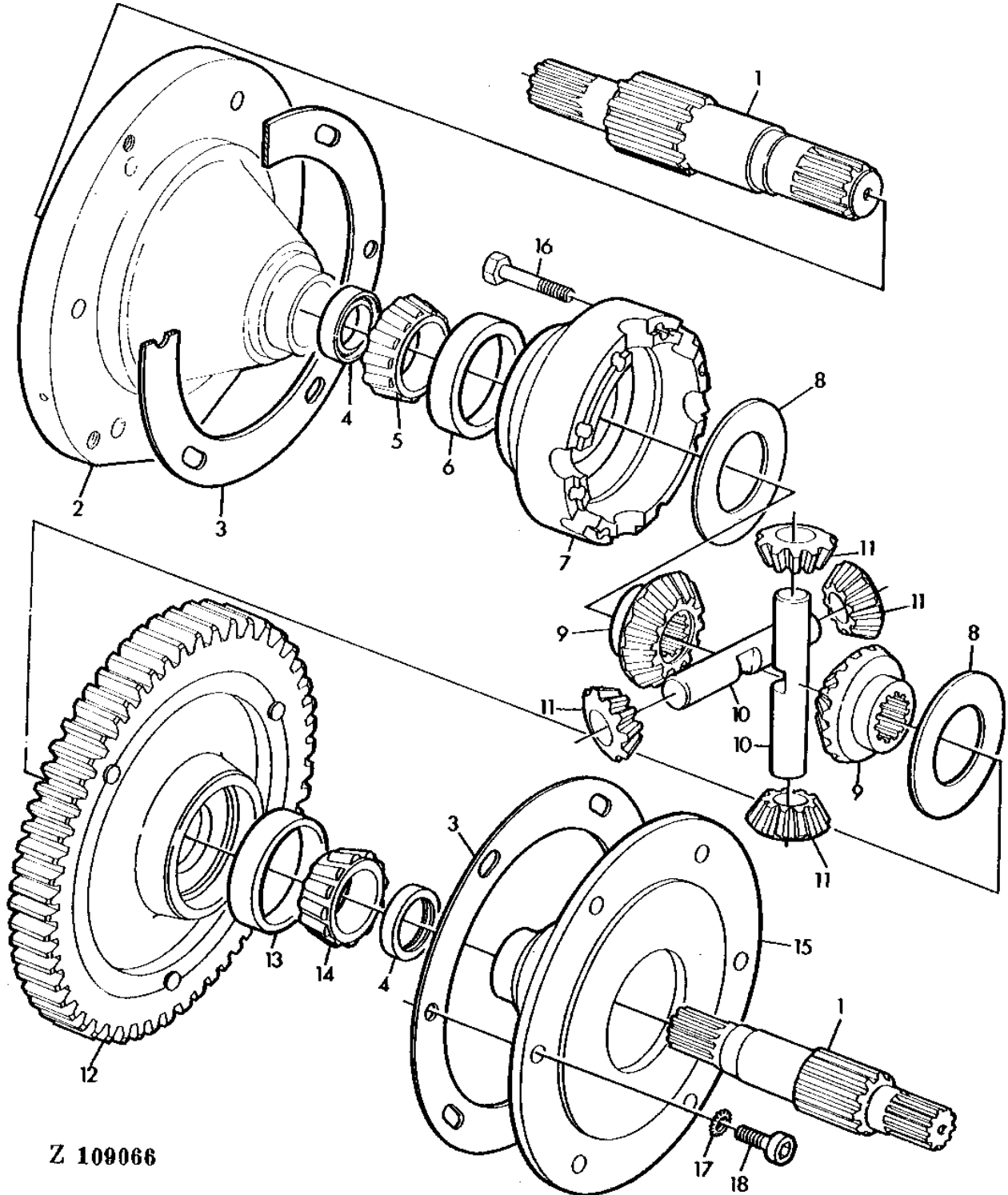
KEY	PART NO.	PART NAME	QTY	SERIAL NO.	5 Y	REMARKS
					4	
					4	
					4 3	
					4 5	
					3 H	
					5 Y	
1	H10163	HOUSING	2		X X	
2	P48652	SHIM	AR		X X	0.003", (0,05MM)
	P49116	SHIM	AR		X X	0.002", (0,08MM)
	P49117	SHIM	AR		X X	0.005", (0,13MM)
	P49118	SHIM	AR		X X	0.010", (0,25MM)
	P49119	SHIM	AR		X X	0.020", (0,50MM)
3	JD7449	BEARING CUP	3		X X	
4	JD8134	BEARING CONE	3		X	
	JD8134	BEARING CONE	2		X	
5	26H23	SHAFT KEY	1		X X	5/16" X 1"
6	Z11706	JACKSHAFT	1		X X	
7	Z11550	GEAR	1		X X	
8	L36509	SNAP RING	1		X X	
9	Z11551	GEAR	1		X X	
10	Z11556	GEAR	1		X X	
11	Z46410	SHIFT COLLAR CARRIER	1		X X	
12	Z44614	SHIFT COLLAR	1		X X	
13	Z11552	GEAR	1		X X	
14	Z40172	THRUST WASHER	1		X X	
15	P42669	RING	1		X X	
16	H64036	BOLT	1		X X	
17	34H245	SPRING PIN	1		X X	1/8" X 5/8"
18	H64037	SHIELD	1		X X	
19	H11496	HOUSING	1		X X	
20	AH21815	SEAL	1		X X	
21	JD7424	BEARING CUP	2		X X	
22	L851T	STUD	3		X X	
23	JD8100	BEARING CONE	2		X X	
24	Z11557	GEAR	1		X X	
25	Z11788	PINION SHAFT	1		X X	
26	P46356	RING	1		X X	
27	Z11553	DRIVE SHAFT	1		X X	
28	JD8179	BEARING CONE	1		X	
	JD8972	BEARING CONE	1		X	
29	Z45228	GASKET	1		X X	
30	JD8220	BEARING CUP	1		X	
	JD7471	BEARING CUP	1		X	
31	QUILL	1		X	SEE SECTION 040
32	AZ19023	SEAL	1		X X	
33	19H1821	CAP SCREW	9		X X	7/16" X 1-1/4"
34	H20551	LOCK WASHER	12		X X	
35	14H807	NUT	3		X X	7/16"
36	Z11554	DRIVE SHAFT	1		X	
37	40M7119	SNAP RING	1		X	35 X 1,5 MM
38	H98238	SPLINED COUPLING	1		X	
39	R26266	SNAP RING	1		X X	
40	14H812	NUT	3		X X	3/8"
41	L36509	SNAP RING	1		X	
42	JD8972	BEARING CONE	1		X	

2D19

POWER TRAIN

Z109066 -UN-01JAN94

DIFFERENTIAL



Z 109066

2D20

POWER TRAIN

DIFFERENTIAL - CONTINUED

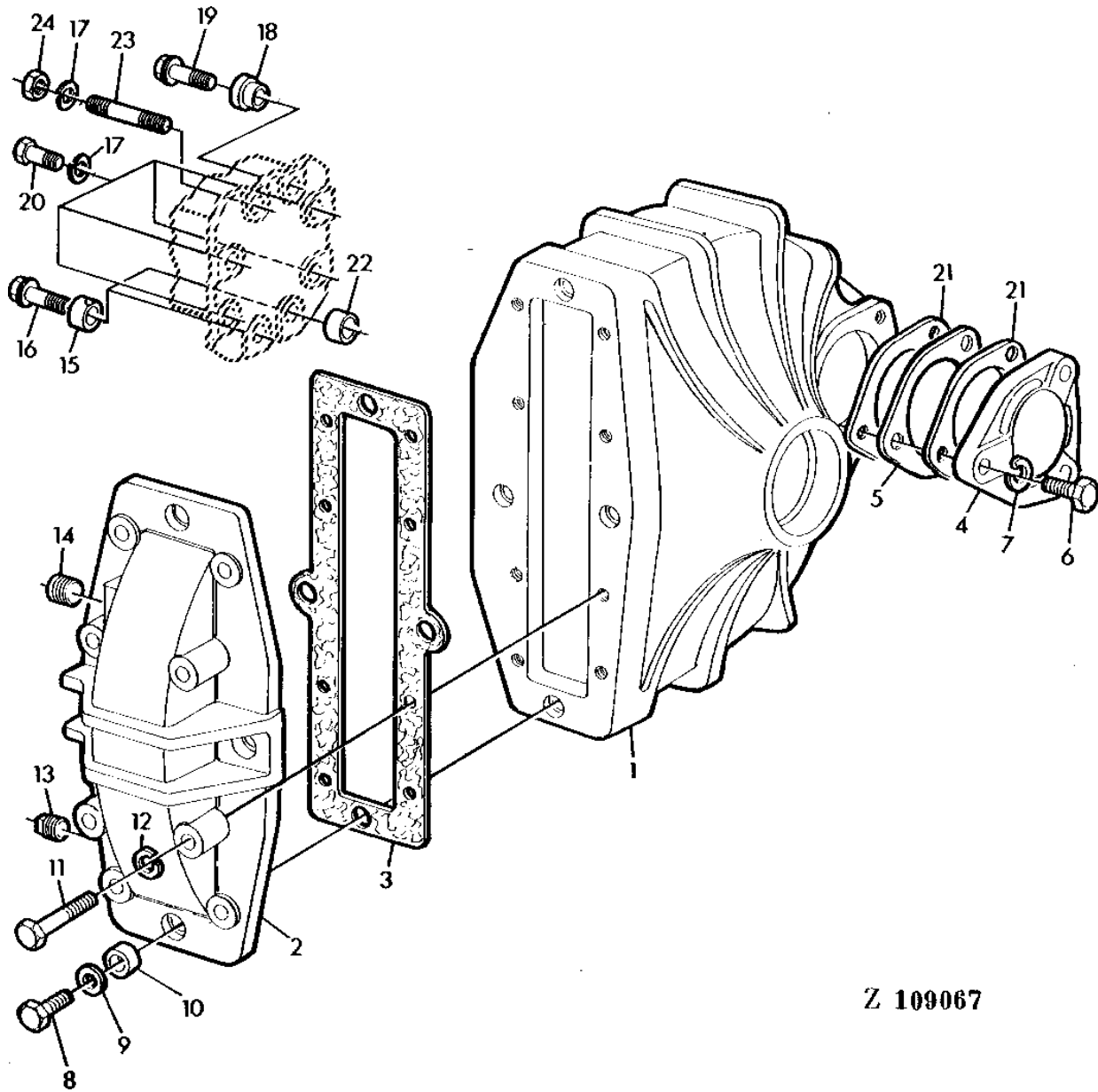
KEY	PART NO.	PART NAME	QTY	SERIAL NO.	4 4 4 3 4 5 3 H 5 Y	REMARKS
1	Z45037	SHAFT	2		X X	
2	Z11539	HOUSING	1		X X	R.H.
3	Z45149	SHIM	AR		X X	0.002",(0,05MM)
	Z45150	SHIM	AR		X X	0.005",(0,13MM)
	Z45151	SHIM	AR		X X	0.010",(0,25MM)
	Z45152	SHIM	AR		X X	0.020",(0,50MM)
4	AZ16786	SEAL	2		X X	
5	JD8171	BEARING CONE	1		X X	
6	JD8217	BEARING CUP	1		X X	
7	Z10964	HOUSING	1		X X	
8	Z34489	WASHER	2		X	(SUB Z53354)
	Z53354	WASHER	2		X X	
9	T29394	BEVEL GEAR	2		X X	
10	L29226	SHAFT	2		X X	
11	L29227	BEVEL GEAR	4		X X	
12	AZ35139	HOUSING	1		X X	
13	JD7425	BEARING CUP	1		X X	
14	JD8161	BEARING CONE	1		X X	
15	Z11538	HOUSING	1		X X	L.H.
16	T21430	CAP SCREW	8		X X	
17	12M7073	LOCK WASHER	6		X X	13.700 MM
18	19H2936	SCREW	6		X X	1/2" X 1-1/2"

2D21

POWER TRAIN

Z109067 -UN-01JAN94

FINAL DRIVE HOUSINGS



Z 109067

2D22

POWER TRAIN

FINAL DRIVE HOUSINGS - CONTINUED

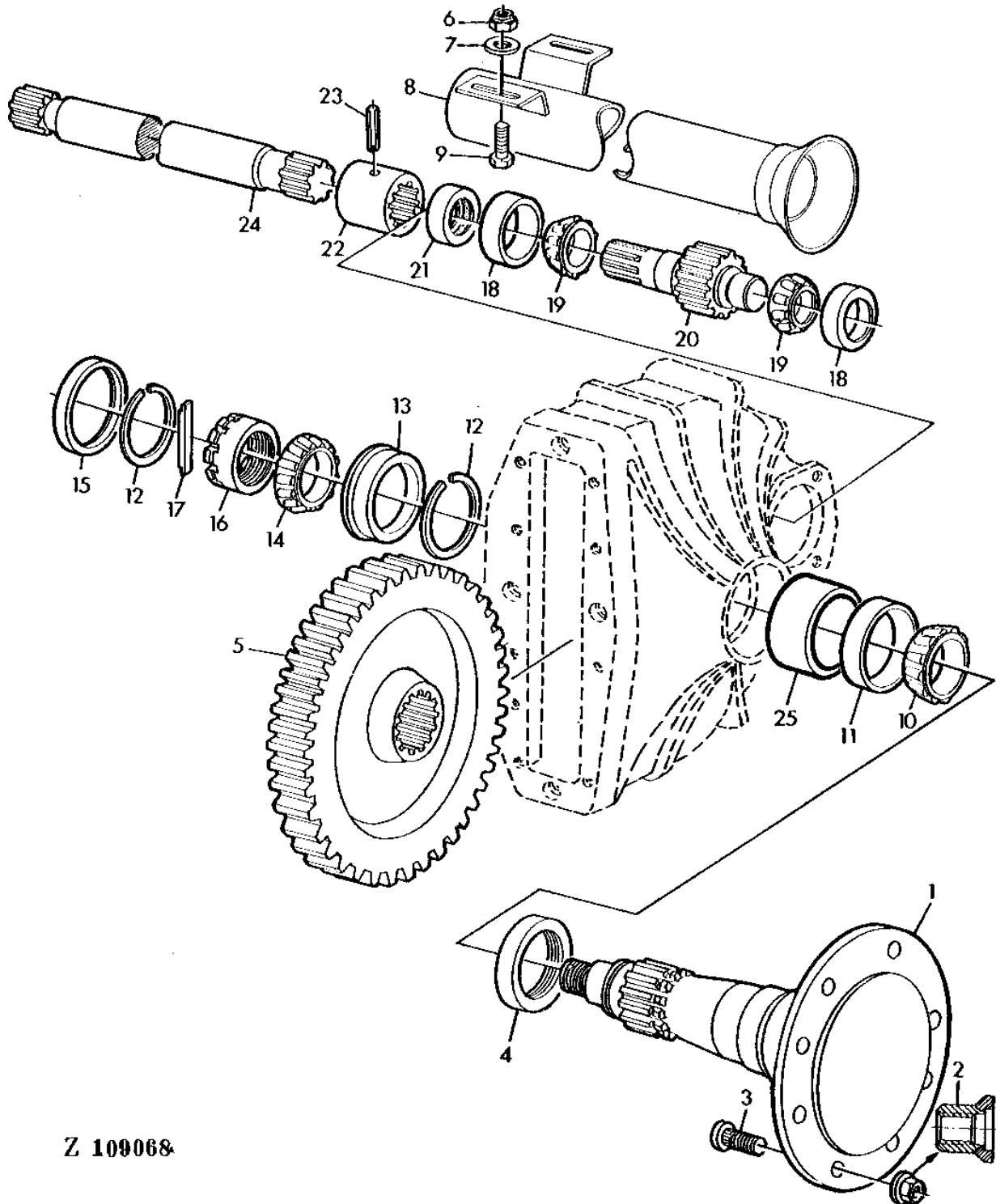
KEY	PART NO.	PART NAME	QTY	SERIAL NO.	4 4 4 3 4 5 3 H 5 Y	REMARKS
1	Z11362	HOUSING	2		X X	
2	H10280	COVER	2		X X	
3	H22782	GASKET	2		X X	
4	Z10941	QUILL	2		X X	
5	Z34378	SHIM	AR		X X	0,13MM
	Z34377	SHIM	AR		X X	0,25MM
	Z34376	SHIM	AR		X X	0,50MM
6	19H1773	CAP SCREW	6		X X	7/16" X 1-1/8"
7	H20551	LOCK WASHER	6		X X	
8	19H1800	CAP SCREW	16		X X	3/8" X 1-1/2"
9	E12817	WASHER	8		X X	
10	H22785	BUSHING	8		X X	
11	19H2128	CAP SCREW	8		X X	3/8" X 3"
12	12H304	LOCK WASHER	AR		X X	3/8"
13	15H255	PIPE PLUG	2		X X	3/8"
14	H22789	PIPE PLUG	2		X X	
15	Z39560	BUSHING	4		X X	
16	Z39562	CAP SCREW	4		X X	
17	12H312	LOCK WASHER	10		X X	3/4"
18	Z39355	BUSHING	2		X X	
19	Z39677	CAP SCREW	2		X X	
20	19H1374	CAP SCREW	8		X X	3/4" X 2"
21	Z34380	SHIM	4		X X	0,08MM
22	Z39561	BUSHING	2		X X	
23	Z37924	STUD	2		X X	
24	14H863	NUT	2		X X	3/4"

2D23

POWER TRAIN

Z109068 -UN-01JAN94

FINAL DRIVE GEARS



Z 109068

2D24

POWER TRAIN

FINAL DRIVE GEARS - CONTINUED

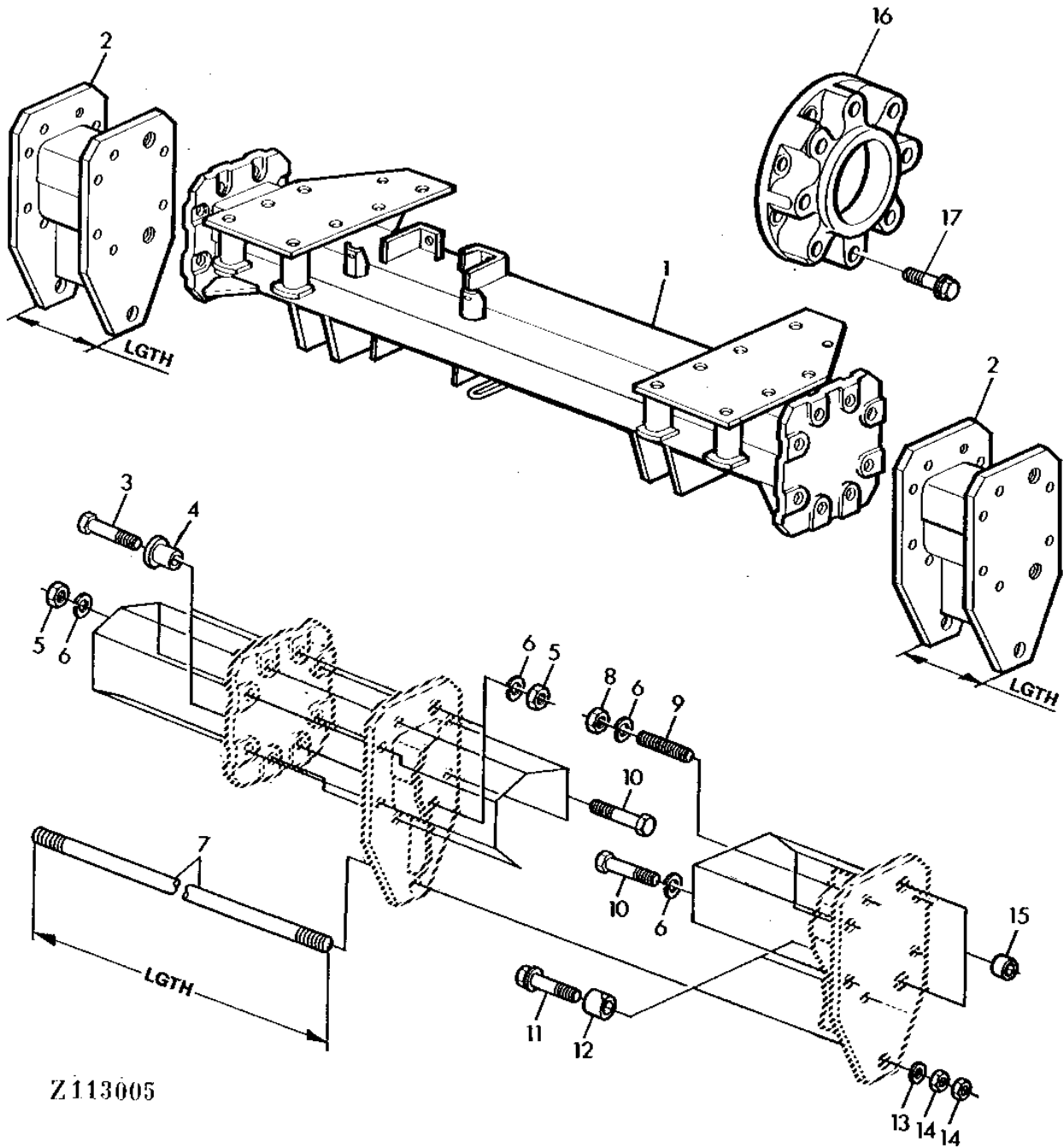
KEY	PART NO.	PART NAME	QTY	SERIAL NO.	4 4 4 3 4 5 3 H 5 Y	REMARKS
1	Z11791	AXLE	2		X X	
2	14M7238	FLANGE NUT	16		X X	M18
3	Z36742	WHEEL BOLT	16		X X	
4	AH62106	PACKING	2		X X	
5	Z11013	GEAR	2		X X	
6	14M7167	LOCK NUT	AR		X X	M10
7	24M7040	WASHER	AR		X X	11 X 20 X 2 MM
8	AZ24221	GUARD	AR		X X	L.H.
	AZ24222	GUARD	AR		X X	R.H.
9	19M7167	CAP SCREW	AR		X X	M10 X 25
10	JD8923	BEARING CONE	2		X X	
11	JD8248	BEARING CUP	2		X X	
12	H22784	SNAP RING	4		X X	
13	JD8249	BEARING CUP	2		X X	
14	JD8152	BEARING CONE	2		X X	
15	Z40239	CAP	2		X X	
16	H31263	NUT	2		X X	
17	H31264	SHAFT KEY	2		X X	
18	JD7266	BEARING CUP	4		X X	
19	JD7222	BEARING CONE	4		X X	
20	Z11315	PINION	2		X X	
21	AH81622	SEAL	2		X X	
22	Z37932	SPLINED COUPLING	4		X X	
23	34H386	SPRING PIN	4		X X	1/4" X 2"
24	Z37938	SHAFT	1		X X	R.H., 295MM(11.63") LONG
	Z37937	SHAFT	1		X X	L.H., 593MM(23.35") LONG
	Z38795	DRIVE SHAFT	1		X X	L.H., 797MM(31.38") LONG, (FOR EXTENSION ONLY)
	Z38798	SHAFT	1		X X	R.H., 497MM(19.57") LONG, (FOR EXTENSION ONLY)
25	Z45464	SPACER	2		X X	

2E1

POWER TRAIN

Z113005 -UN-01JAN94

DRIVE WHEEL AXLE AND EXTENSION



Z113005

2E2

POWER TRAIN

DRIVE WHEEL AXLE AND EXTENSION - CONTINUED

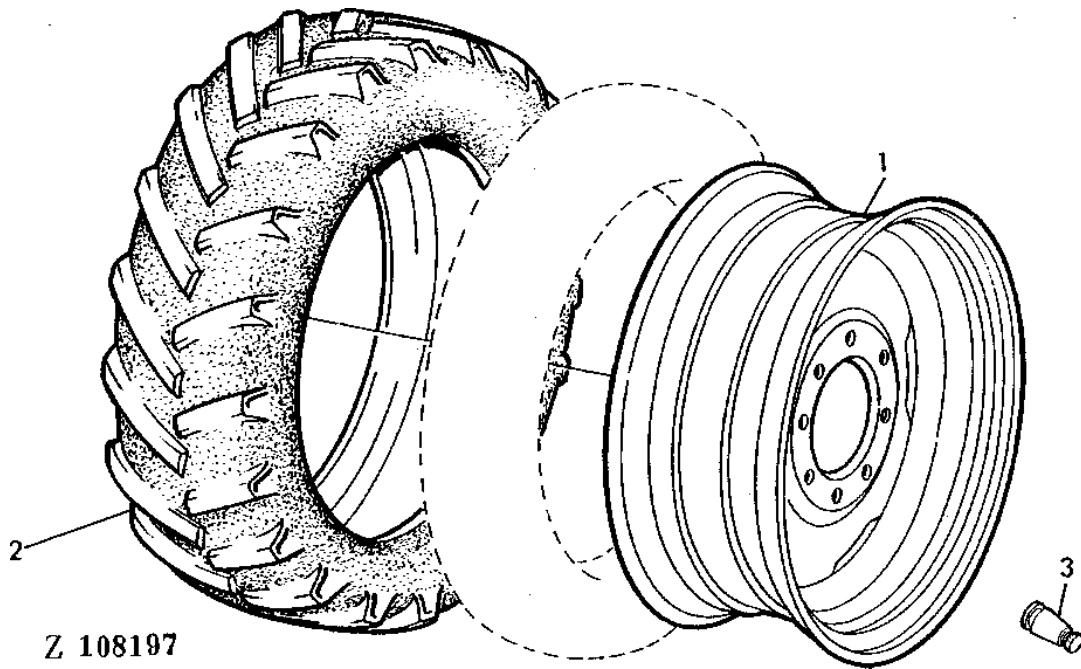
KEY	PART NO.	PART NAME	QTY	SERIAL NO.	4 4 4 3 4 5 3 H 5 Y	REMARKS
1	AZ29904	FRONT AXLE	1		X X	
2	AZ32696	EXTENSION	2		X X	(WITH MAIZE EQUIPMENT ONLY), 202MM(7.95") LONG
3	19H2913	CAP SCREW	4		X X	3/4" X 2-3/4"
4	Z39355	BUSHING	4		X X	
5	14H794	NUT	16		X X	3/4"
6	12H312	LOCK WASHER	28		X X	3/4"
7	Z45139	STUD	1		X X	(WITH MAIZE EQUIPMENT ONLY), 2130MM(83.86") LONG
8	14H863	NUT	2		X X	3/4"
9	Z37924	STUD	2		X X	
10	19H1388	CAP SCREW	22		X X	3/4" X 2-1/4"
11	Z39562	CAP SCREW	4		X X	
12	Z39560	BUSHING	4		X X	
13	T47806	WASHER	2		X X	
14	14M5358	NUT	4		X X	M24
15	Z39561	BUSHING	4		X X	
16	Z11805	SPACER	2		X X	
17	Z37898	CAP SCREW	16		X X	

2E3

POWER TRAIN

Z108197 -UN-01JAN94

DRIVE WHEELS



4
4
4 3
4 5
3 H
5 Y

KEY	PART NO.	PART NAME	QTY	SERIAL NO.	REMARKS
1	AZ37201	RIM	2	X X	DW 20 X 26
	AZ34181	RIM	2	X X	DW 25 X 26
2	TIRE	2	X X	23.1/18-26 10PR
	TIRE	2	X X	28.1-26 12PR (FOR DW 25 X 26)
3	AM30347	TIRE VALVE STEM	AR	X X	

MEMORANDA

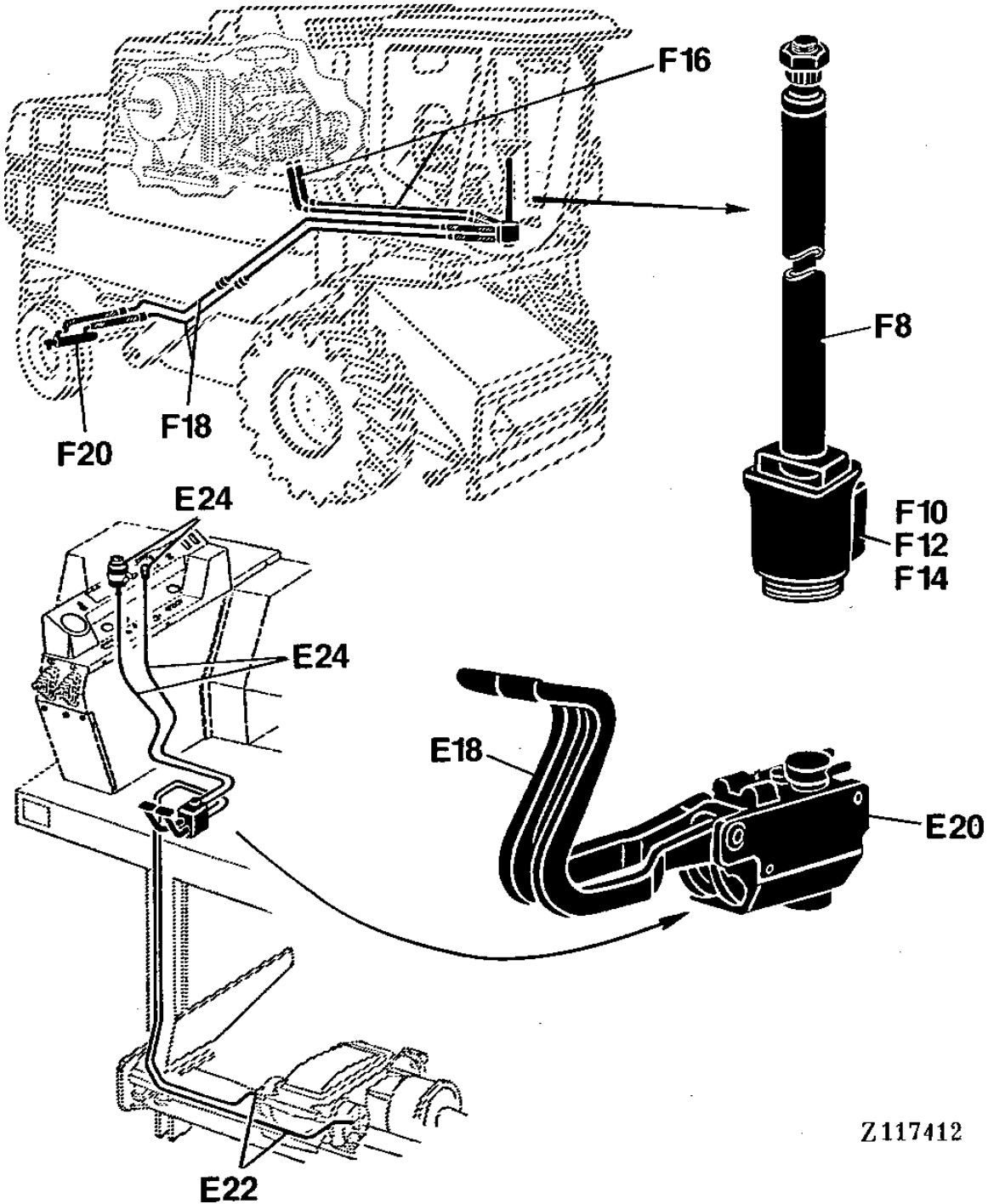
2E5

BRAKES, REAR AXLE

SECTIONAL PICTORIAL INDEX

XX
XX
XX
XX
XX
XX
XX
XX
XX

Z117412 -UN-01JAN94



Z117412

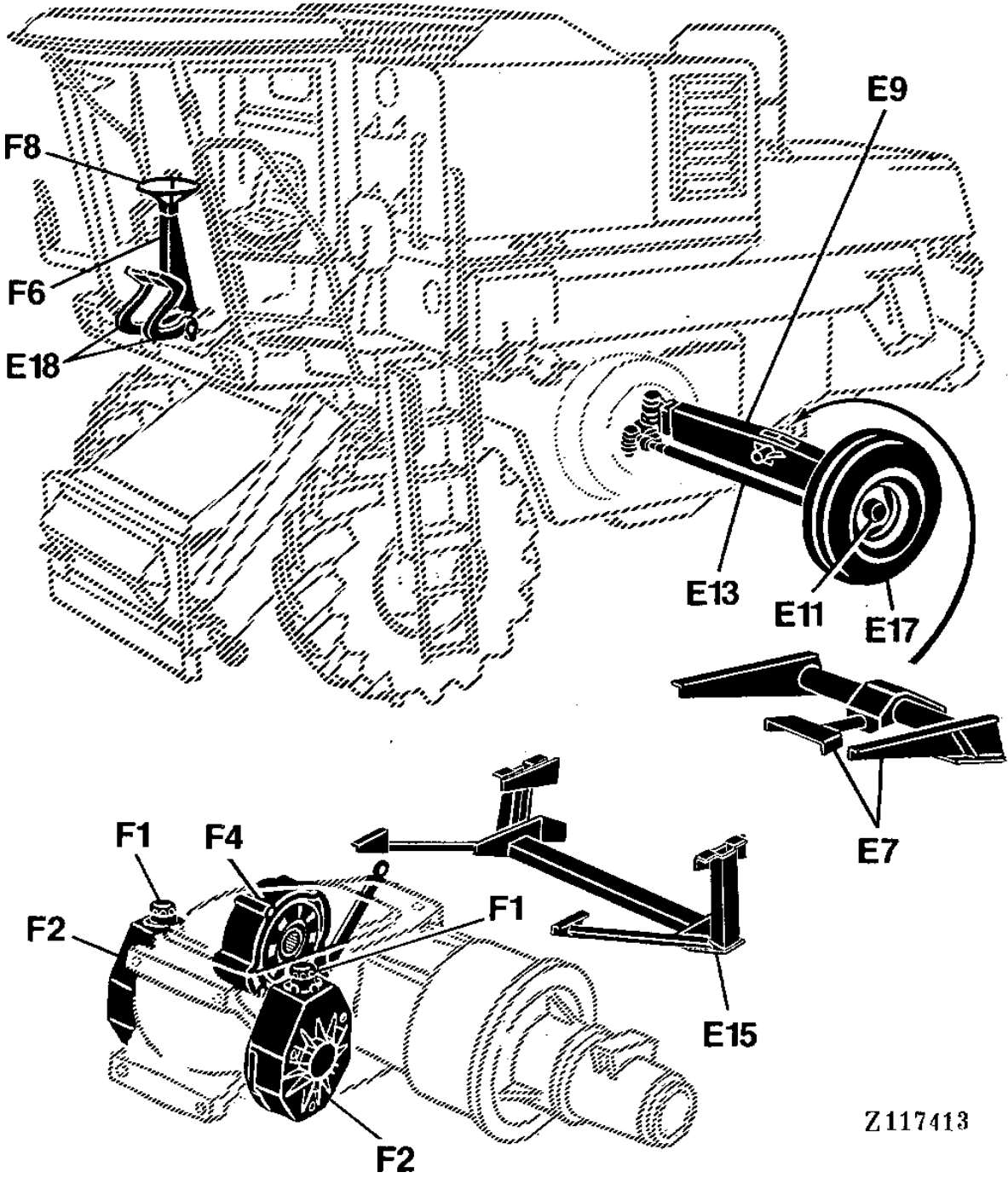
2E6

BRAKES, REAR AXLE

SECTIONAL PICTORIAL INDEX

XX
 XX
 XX
 XX
 XX
 XX

Z117413 -UN-01JAN94



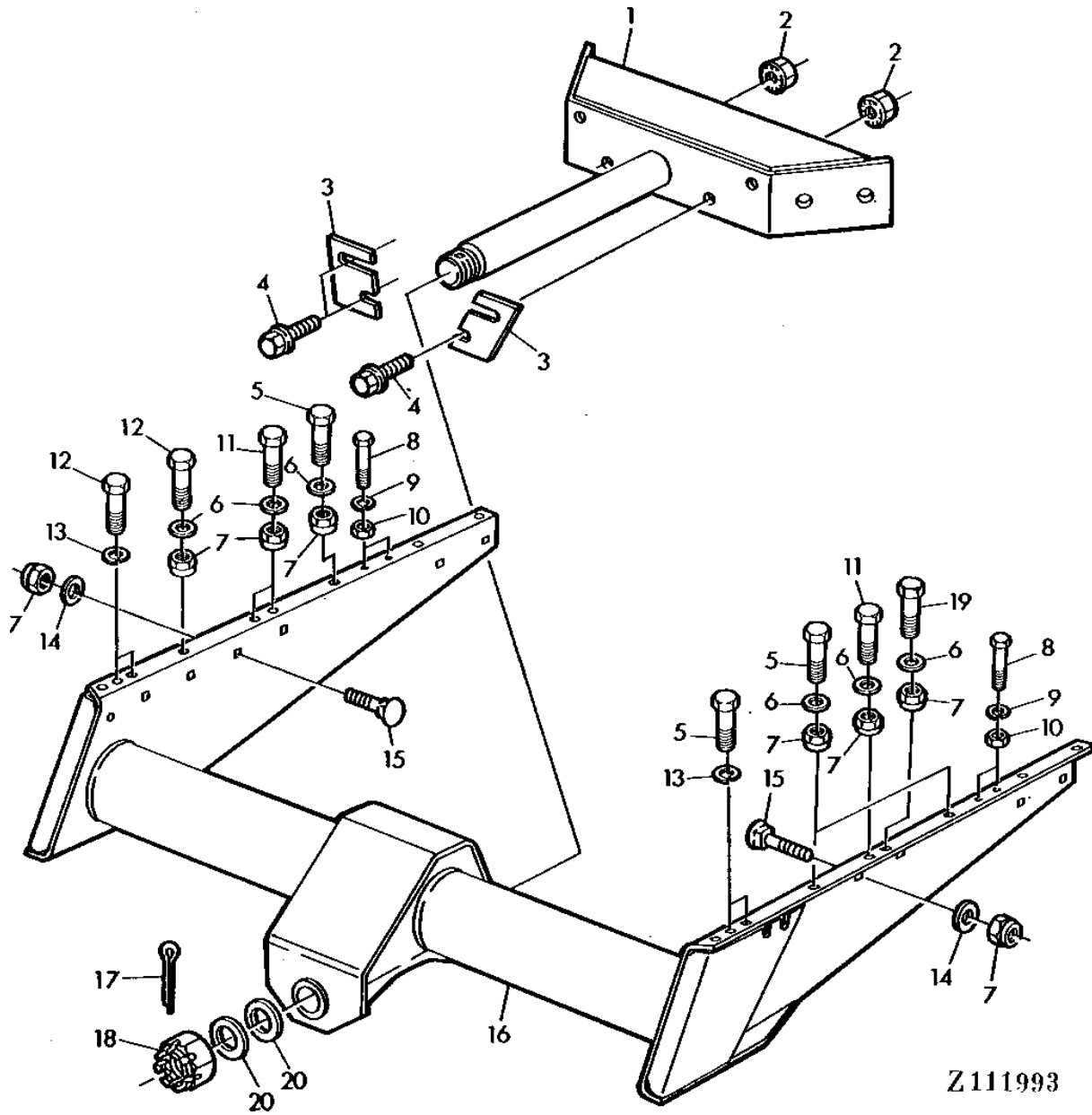
Z117413

2E7

BRAKES, REAR AXLE

Z111993 -UN-01JAN94

REAR AXLE FRAME AND SUPPORT



Z111993

2E8

BRAKES, REAR AXLE

REAR AXLE FRAME AND SUPPORT - CONTINUED

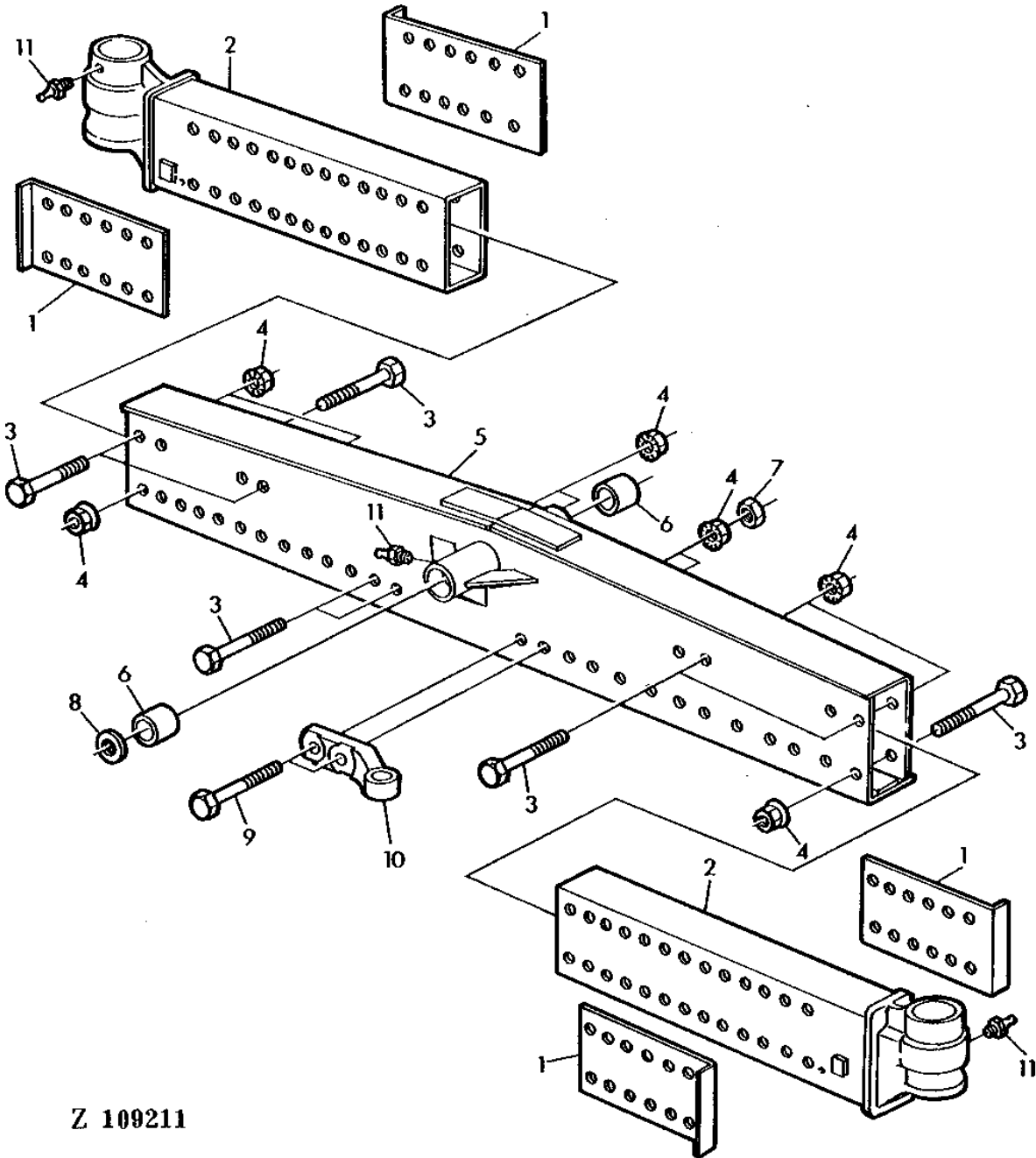
KEY	PART NO.	PART NAME	QTY	SERIAL NO.	REMARKS
					4
					4
					4 3
					4 5
					3 H
					5 Y
1	AZ35676	PIN	1		X X
2	14M7299	FLANGE NUT	4		X X M12
3	Z45288	SPACER	AR		X X THICKNESS = 4MM(0.16")
	Z45289	SPACER	AR		X X THICKNESS = 2MM(0.08")
4	19M7361	CAP SCREW	4		X X M12 X 50
5	19M8434	CAP SCREW	5		X X M12 X 35
6	24M7038	WASHER	8		X X 13.500 X 24 X 2.500 MM
7	14M7168	LOCK NUT	16		X X M12
8	19M7643	CAP SCREW	4		X X M8 X 75
9	12M7008	LOCK WASHER	4		X X 8.100 MM
10	14M7014	NUT	4		X X M8
11	19M7158	CAP SCREW	3		X X M12 X 45
12	19M7387	CAP SCREW	3		X X M12 X 40
13	12M7014	LOCK WASHER	4		X X 12.200 MM
14	24M7111	WASHER	8		X X 13 X 25 X 3 MM
15	09M7023	BOLT	8		X X M12 X 35
16	AZ37254	SUPPORT	1		X X
17	11M1419	COTTER PIN	1		X X 6.300 X 63 MM
18	14M7419	NUT	1		X X M36
19	19M7330	CAP SCREW	1		X X M12 X 55
20	24M7286	WASHER	2		X X 36 X 45 X 1 MM

2E9

BRAKES, REAR AXLE

Z109211 -UN-01JAN94

REAR AXLE



Z 109211

2E10

BRAKES, REAR AXLE

REAR AXLE - CONTINUED

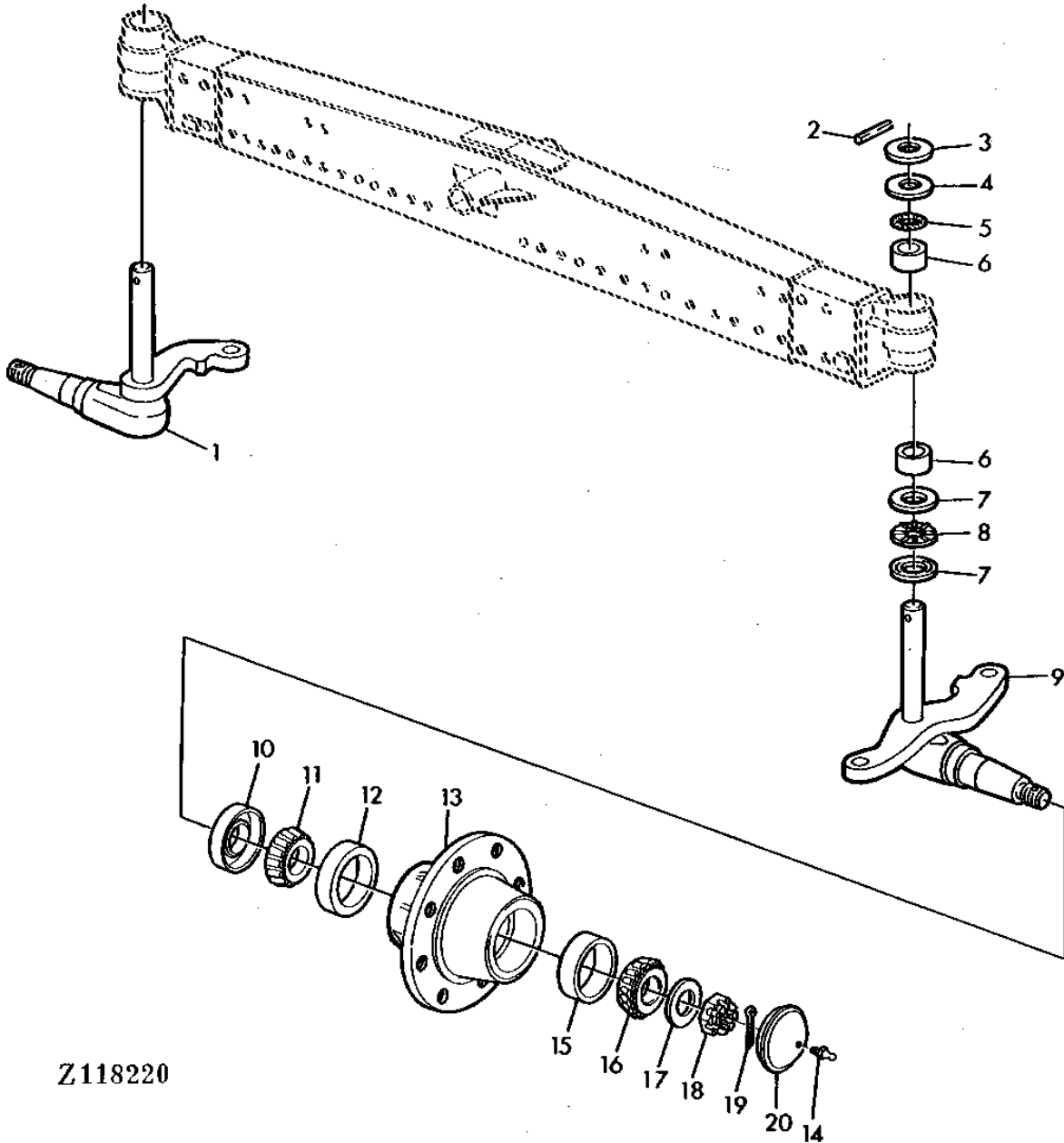
KEY	PART NO.	PART NAME	QTY	SERIAL NO.	4 4 4 3 4 5 3 H 5 Y	REMARKS
1	Z45052	SHEET	AR		X X	(MAXIMUM 4)
2	AZ35622	KNUCKLE	2		X X	
3	19M8418	CAP SCREW	8		X X	M18 X 140
4	14M7417	FLANGE NUT	10		X X	M18
5	AZ35621	BEAM	1		X X	
6	Z27522	BUSHING	2		X X	
7	14M7204	NUT	2		X X	M18
8	Z45088	SHIM	AR		X X	(MAXIMUM 4), THICKNESS = 0,5MM(0.02")
9	19M8309	CAP SCREW	2		X X	M18 X 200
10	Z12358	ANCHOR	1		X X	
11	58M7004	LUBRICATION FITTING	3		X X	M6

2E11

BRAKES, REAR AXLE

Z118220 -UN-01JAN94

REAR AXLE SPINDLES



Z118220

2E12

BRAKES, REAR AXLE

REAR AXLE SPINDLES - CONTINUED

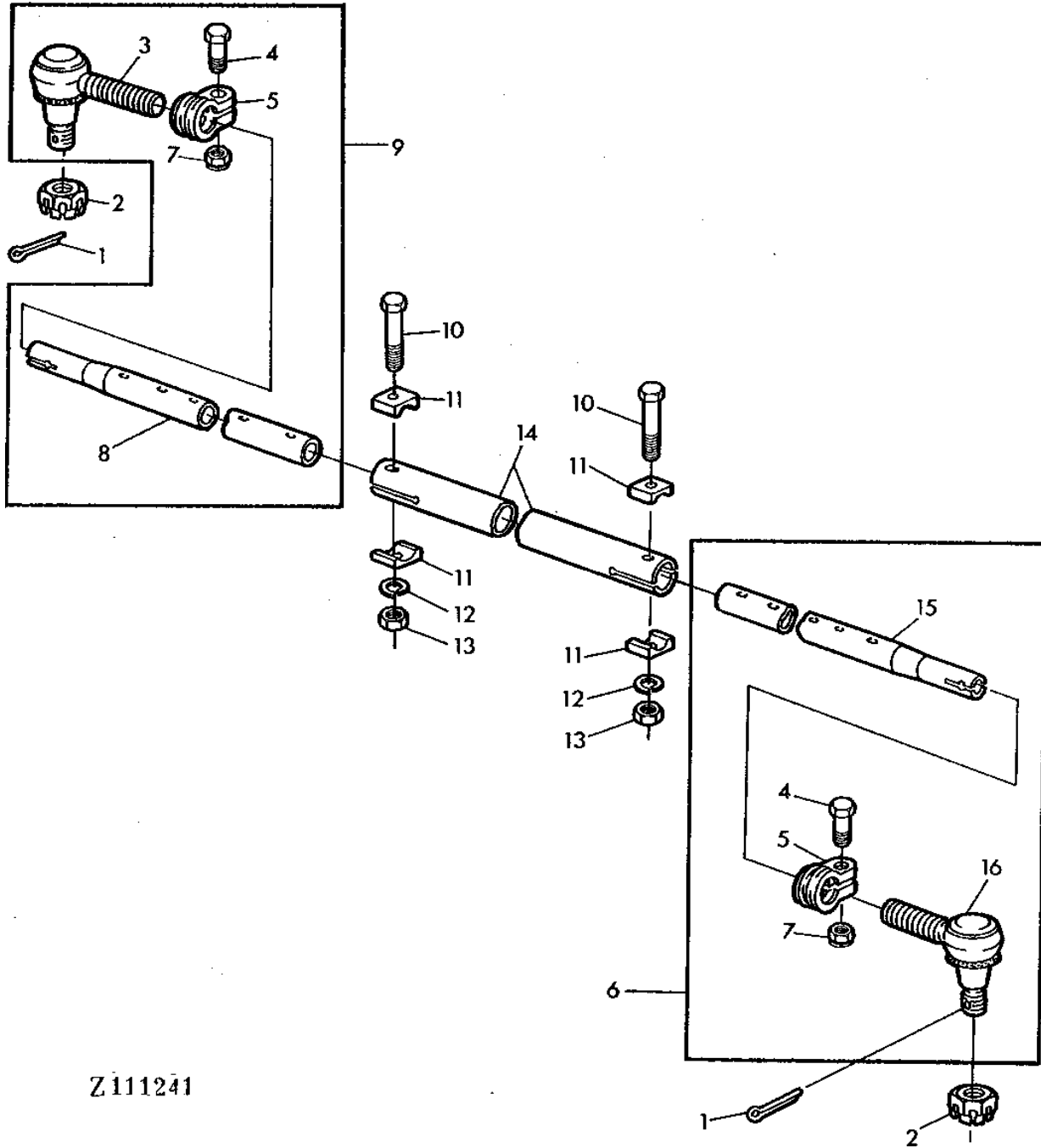
KEY	PART NO.	PART NAME	QTY	SERIAL NO.	4 4 4 3 4 5 3 H 5 Y	REMARKS
1	AZ35624	KNUCKLE	1		X X	L.H.
2	34M7074	SPRING PIN	2		X X	8 X 75 MM
3	Z45055	WASHER	AR		X X	
4	Z45054	SHIM	AR		X X	
5	Z45056	O-RING	2		X X	
6	Z45057	BUSHING	4		X X	
7	Z45141	THROW-OUT BEARING	4		X X	
8	Z45059	THRUST BEARING	2		X X	
9	AZ37246	KNUCKLE	1		X X	R.H.
10	AZ35679	SEAL	2		X X	
11	JD8998	BEARING CONE	2		X X	
12	JD7414	BEARING CUP	2		X X	
13	Z11613	HUB	2		X	(SUB Z12348)
	Z12348	HUB	2		X X	
14	JD7759	LUBRICATION FITTING	2		X X	
15	JD8271	BEARING CUP	2		X X	
16	JD8988	BEARING CONE	2		X X	
17	Z22491	WASHER	2		X X	
18	14M7181	NUT	2		X X	M24
19	11M7024	COTTER PIN	2		X X	4 X 36 MM
20	H76047	CAP	2		X X	

2E13

BRAKES, REAR AXLE

Z111241 -UN-01JAN94

STEERING TIE RODS



Z111241

2E14

BRAKES, REAR AXLE

STEERING TIE RODS - CONTINUED

KEY	PART NO.	PART NAME	QTY	SERIAL NO.	4 4 4 3 4 5 3 H 5 Y	REMARKS
1	11M7024	COTTER PIN	2		X X	4 X 36 MM
2	14M5408	NUT	2		X X	M18
3	AZ35644	BALL JOINT	1		X X	L.H.
4	19M7917	CAP SCREW	2		X X	M10 X 45
5	L36182	CLAMP	2		X X	
6	AZ41389	TIE ROD	1		X X	R.H.
7	14M7324	LOCK NUT	2		X X	M10
8	Z52552	TUBE	1		X X	L.H.
9	AZ41388	TIE ROD	1		X X	L.H.
10	Z48105	CAP SCREW	2		X X	
11	H107266	CLAMP	4		X X	
12	12M7014	LOCK WASHER	2		X X	12.200 MM
13	14M7031	NUT	2		X X	M12
14	Z45061	TUBE	1		X X	
15	Z52553	TUBE	1		X X	R.H.
16	AZ28775	BALL JOINT	1		X X	R.H.

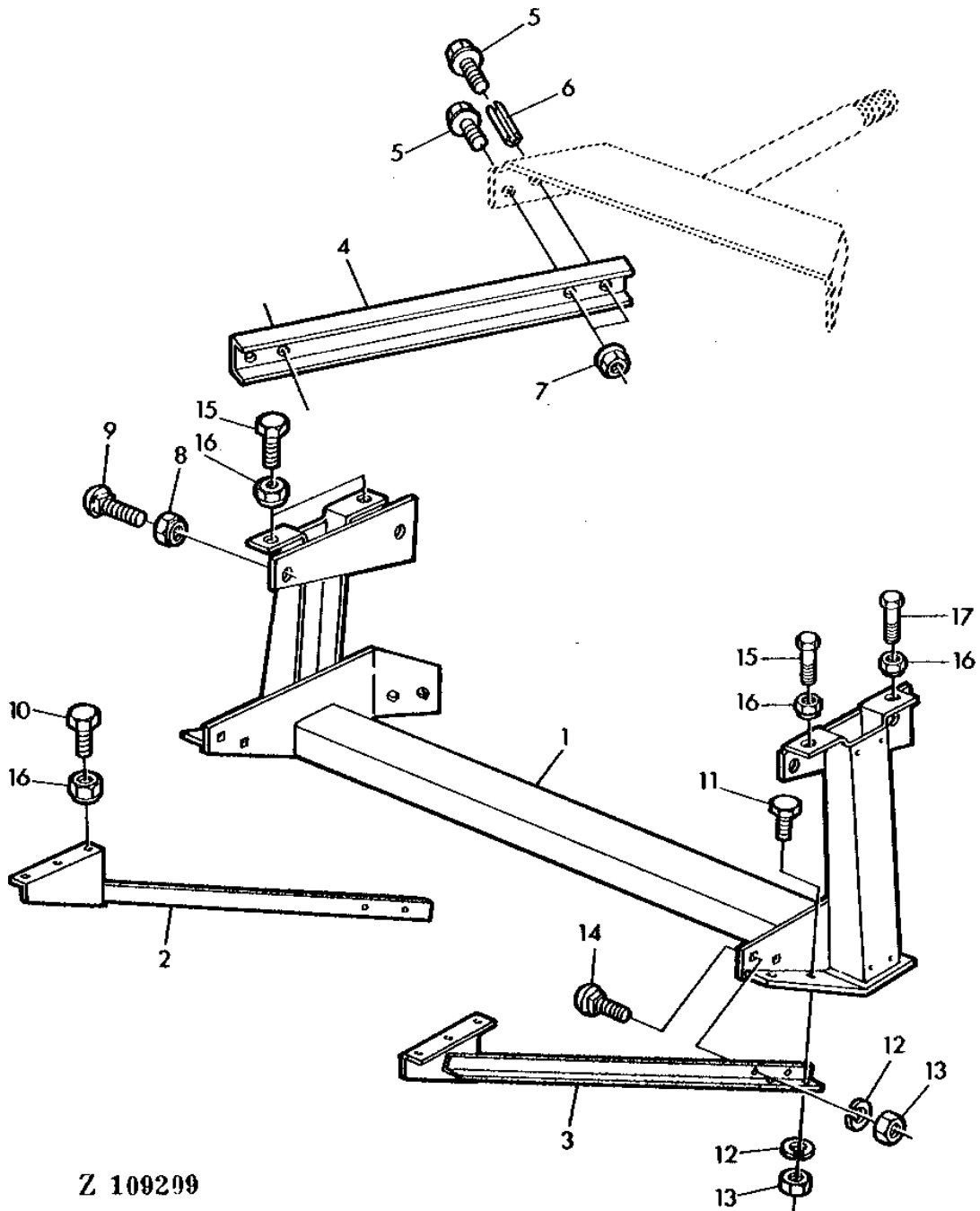
2E15

BRAKES, REAR AXLE

Z109209

-UN-01JAN94

AXLE SUPPORT AND V-SUPPORT FOR REAR AXLE



2E16

BRAKES, REAR AXLE

AXLE SUPPORT AND V-SUPPORT FOR REAR AXLE - CONTINUED

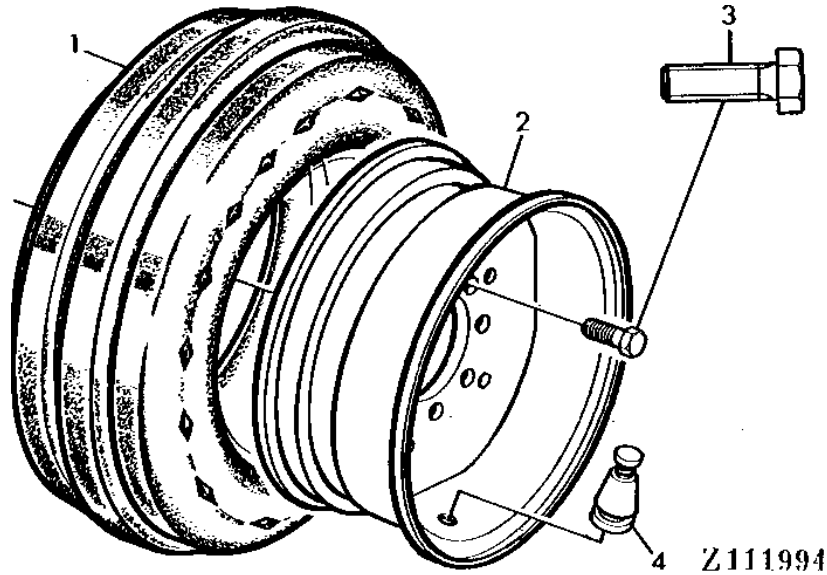
KEY	PART NO.	PART NAME	QTY	SERIAL NO.	4 4 4 3 4 5 3 H 5 Y	REMARKS
1	AZ35844	CROSSBAR	1		X X	
2	AZ35845	BRACE	1		X X	R.H.
3	AZ35846	BRACE	1		X X	L.H.
4	Z45287	BRACE	2		X X	
5	CC19673	CAP SCREW	8		X X	
6	34M7178	SPRING PIN	4		X X	13 X 10 MM
7	CC19674	LOCK NUT	8		X X	
8	14M7168	LOCK NUT	4		X X	M12
9	03M7089	BOLT	4		X X	M12 X 30
10	19M7168	CAP SCREW	6		X X	M10 X 30
11	19M7167	CAP SCREW	4		X X	M10 X 25
12	12M7013	LOCK WASHER	8		X X	10.200 MM
13	14M7140	NUT	8		X X	M10
14	03M7084	BOLT	4		X X	M10 X 25
15	19M7382	CAP SCREW	3		X X	M10 X 40
16	14M7167	LOCK NUT	10		X X	M10
17	19M7724	CAP SCREW	1		X X	M10 X 45

2E17

BRAKES, REAR AXLE

Z111994 -UN-01JAN94

REAR WHEELS



KEY	PART NO.	PART NAME	QTY	SERIAL NO.	REMARKS
1	TIRE	2	X X	10.0-16 8PR
1	TIRE	2	X X	11.2-24 8PR
2	AZ31674	RIM	2	X X	W 8 X 16
2	AZ32667	RIM	2	X X	9-24
3	19H3546	CAP SCREW	16	X X	5/8" X 1-3/8"
4	AM30347	TIRE VALVE STEM	2	X X	

4
4
4 3
4 5
3 H
5 Y

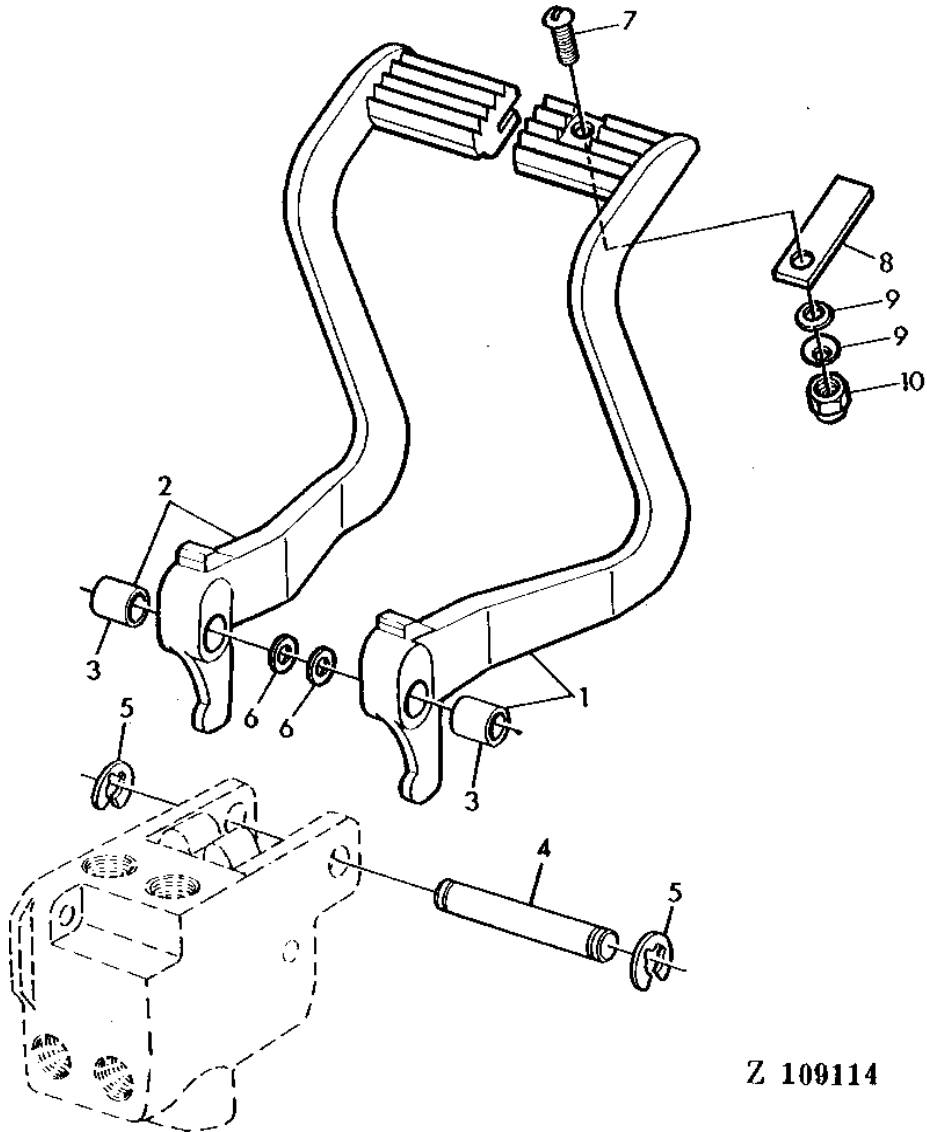
MEMORANDA

2E18

BRAKES, REAR AXLE

Z109114 -UN-01JAN94

BRAKE PEDALS



Z 109114

2E19

BRAKES, REAR AXLE

BRAKE PEDALS - CONTINUED

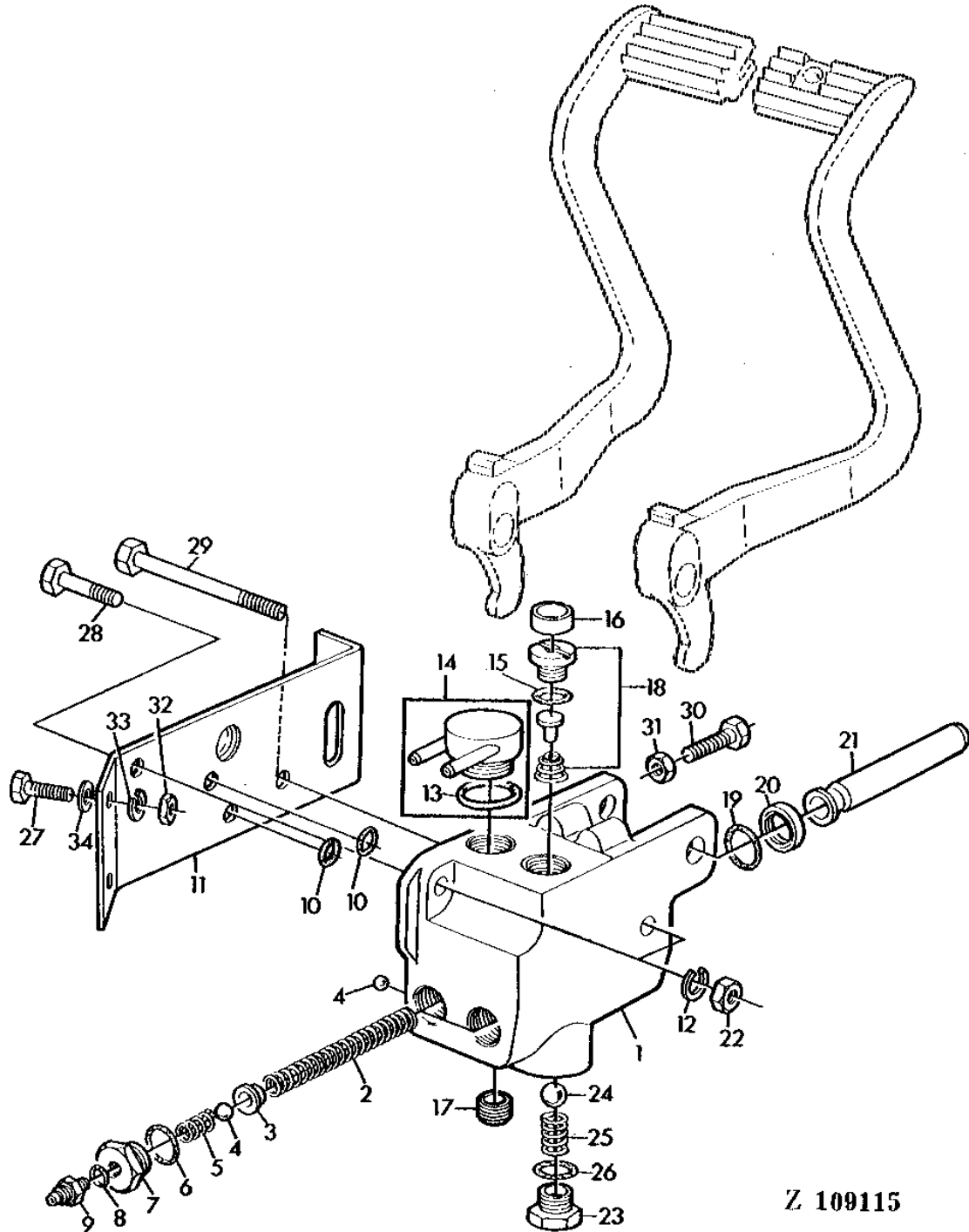
KEY	PART NO.	PART NAME	QTY	SERIAL NO.	4 4 4 3 4 5 3 H 5 Y	REMARKS
1	AZ28883	PEDAL	1		X X	INCL.KEYS 3,7-10
2	AZ28884	PEDAL	1		X X	INCL.KEY 3
3	B177R	BUSHING	2		X X	
4	T49189	PIN	1		X X	
5	F2863R	SNAP RING	2		X X	
6	Z27188	SHIM	AR		X X	
7	21M7125	SCREW	1		X X	M8 X 25
8	Z39414	STRAP	1		X X	
9	12M7111	DISK SPRING	2		X X	8.200 X 16 X 0.900 MM
10	14M7166	LOCK NUT	1		X X	M8

2E20

BRAKES, REAR AXLE

Z109115 -UN-01JAN94

BRAKE VALVE



Z 109115

2E21

BRAKES, REAR AXLE

BRAKE VALVE - CONTINUED

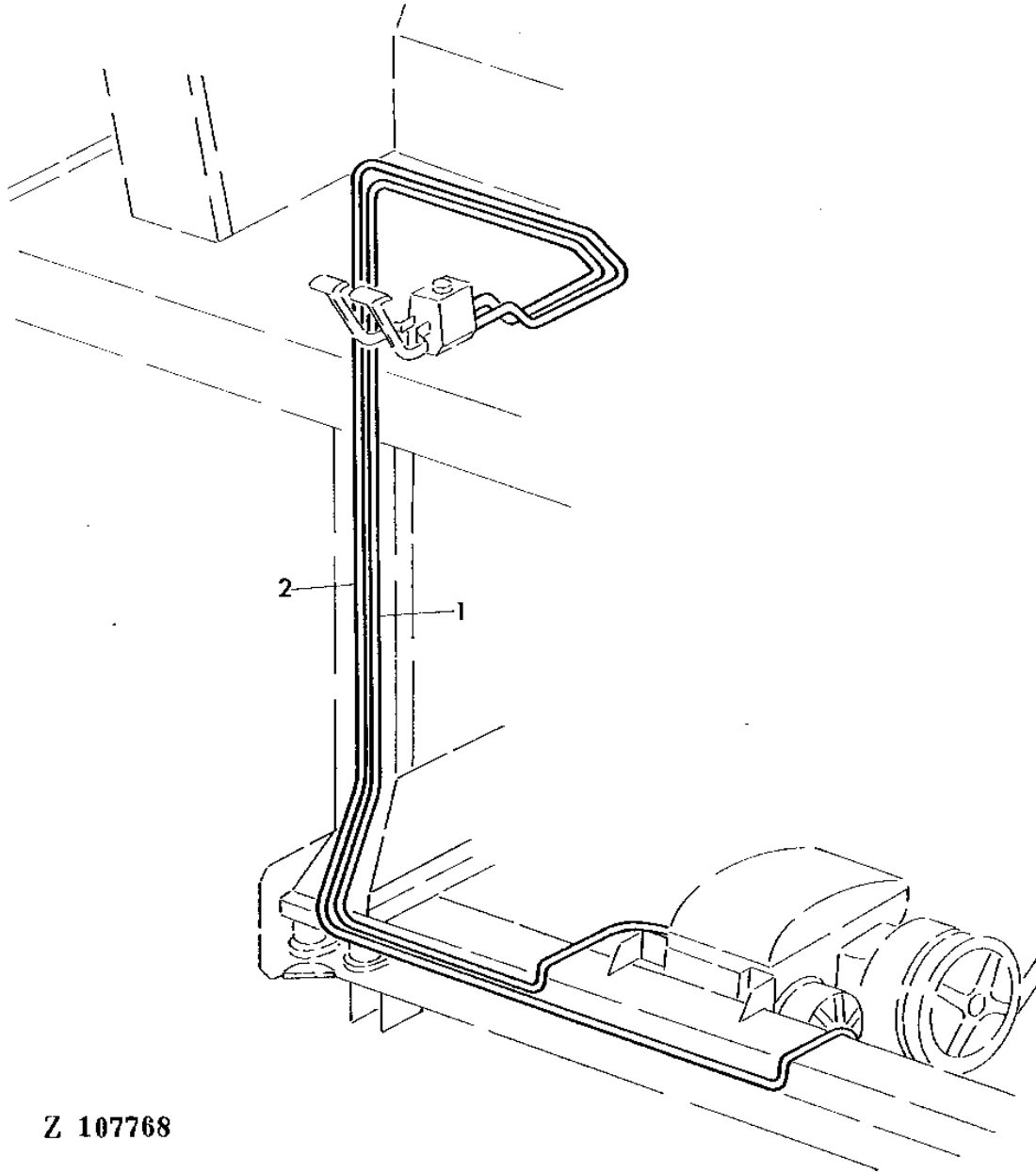
KEY	PART NO.	PART NAME	QTY	SERIAL NO.	4 4 4 3 4 5 3 H 5 Y	REMARKS
1	AR63616	HOUSING	1		X X	
2	Z39415	COMPRESSION SPRING	2		X X	
3	T21815	RETAINER	2		X X	
4	400R	BALL	3		X X	
5	T21814	SPRING	2		X X	
6	F3171R	O-RING	2		X X	
7	R50110	FITTING	2		X X	
8	R26287	O-RING	2		X X	
9	R27139	FITTING	2		X X	
10	R62513	O-RING	2		X X	
11	Z36749	BRACKET	1		X X	
12	12M7014	LOCK WASHER	AR		X X	12.200 MM
13	A4730R	O-RING	1		X X	
14	AZ21028	ADAPTER	1		X X	
15	R26906	O-RING	1		X X	(FOR AL23836), (ORDER AL69179)
16	R35286	CAP	1		X X	
17	15H569	PIPE PLUG	1		X X	1/8"
18	AL23836	CHECK VALVE	1		X	COMPLETE ASSEMBLY, (SUB AL67574)
	AL67574	VALVE	1		X X	COMPLETE ASSEMBLY, (SUB AL69179)
	AL69179	VALVE	1		X X	
19	R495R	O-RING	2		X X	
20	T22101	SEAL	2		X X	
21	L34040	PISTON	2		X X	
22	14M7015	NUT	AR		X X	M12
23	R39112	FITTING	1		X X	
24	D2361R	BALL	1		X X	
25	T21816	SPRING	1		X X	
26	R26375	O-RING	1		X X	
27	19M7139	CAP SCREW	AR		X X	M8 X 20
28	19M7387	CAP SCREW	1		X X	M12 X 40
29	19M7415	CAP SCREW	1		X X	M12 X 130
30	L32504	CAP SCREW	2		X X	
31	14H732	NUT	2		X X	3/8"
32	14M7014	NUT	AR		X X	M8
33	12M7008	LOCK WASHER	AR		X X	8.100 MM
34	24M7036	WASHER	AR		X X	9 X 16 X 1.600 MM

2E22

BRAKES, REAR AXLE

Z107768 -UN-01JAN94

BRAKE LINES (LOWER)



Z 107768

2E23

BRAKES, REAR AXLE

BRAKE LINES (LOWER) - CONTINUED

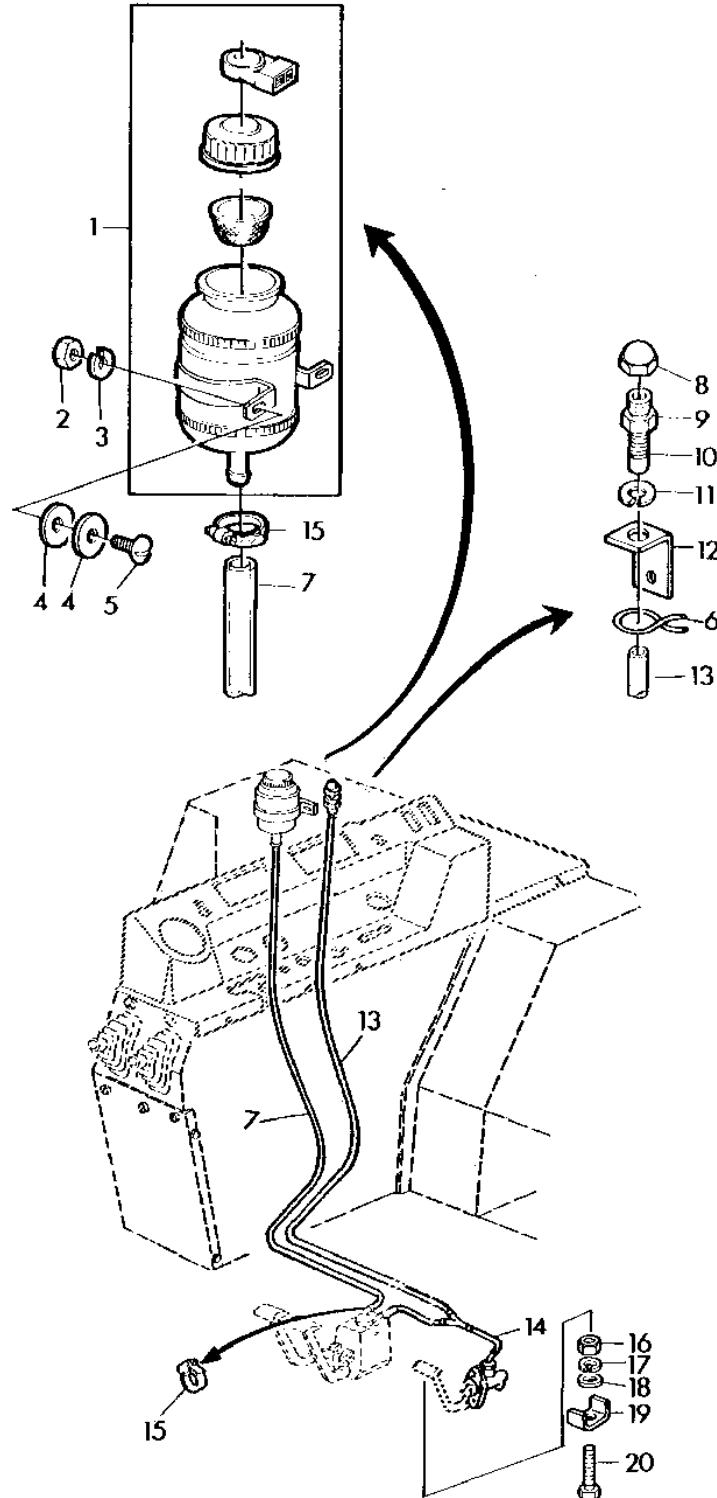
KEY	PART NO.	PART NAME	QTY	SERIAL NO.	REMARKS
				4	
				4	
				4 3	
				4 5	
				3 H	
				5 Y	
1	AZ23927	OIL LINE	1	X X	
2	AZ23926	OIL LINE	1	X X	

2E24

BRAKES, REAR AXLE

ZX000449 -UN-11JUL96

BRAKE LINES (UPPER)



ZX 000449

2E25

BRAKES, REAR AXLE

BRAKE LINES (UPPER) - CONTINUED

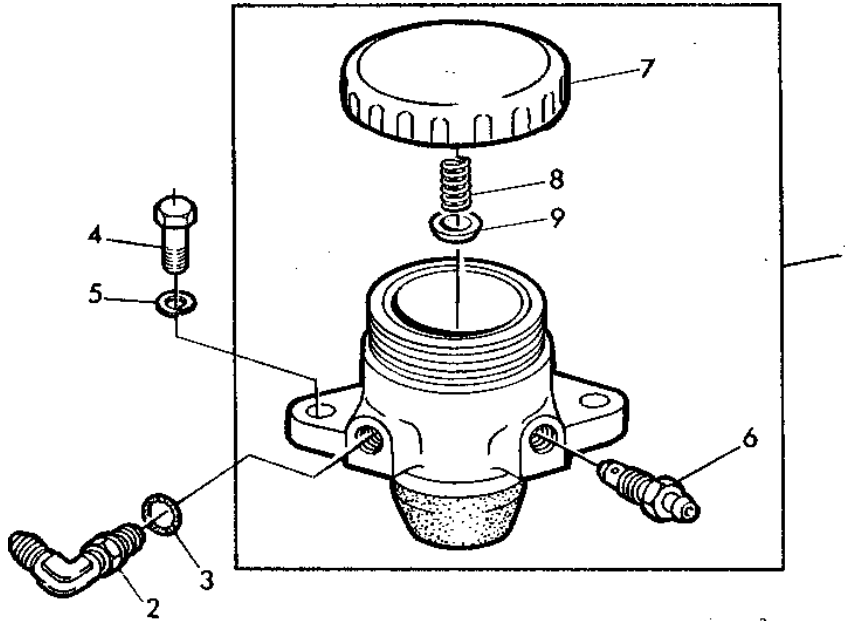
KEY	PART NO.	PART NAME	QTY	SERIAL NO.	4 4 4 3 4 5 3 H 5 Y	REMARKS
1	AZ22695	OIL CUP	1		X X	
2	14M7027	NUT	2		X X	M6
3	12M7012	LOCK WASHER	2		X X	6.100 MM
4	24M7100	WASHER	4		X X	6.600 X 22 X 2 MM
5	21M7127	SCREW	2		X X	M6 X 18
6	Z28856	CLAMP	2		X X	(SUB Z23482, THIS APPLICATION ONLY)
	Z23482	CLAMP	1		X X	
7	Z40871	HOSE	1		X X	1850MM(72.83") LONG
8	14M7365	LOCK NUT	1		X X	M8
9	14M7364	NUT	1		X X	M8
10	Z33654	FITTING	1		X X	
11	12M7098	LOCK WASHER	1		X X	8.100 MM
12	Z41639	RETAINER	1		X X	
13	HOSE	1		X X	SEE SECTION 050
14	HOSE	1		X X	SEE SECTION 050
15	Z40671	CLAMP	4		X X	
16	14M7028	NUT	AR		X X	M5
17	12M7011	LOCK WASHER	AR		X X	5.100 MM
18	24M7027	WASHER	AR		X X	5.300 X 10 X 1 MM
19	Z30603	CLAMP	AR		X X	
20	19M7317	SCREW	AR		X X	M5 X 30

2F1

BRAKES, REAR AXLE

Z115012 -UN-01JAN94

BRAKE CYLINDER



Z115012

KEY	PART NO.	PART NAME	QTY	SERIAL NO.	REMARKS
				4	
				4	
				4 3	
				4 5	
				3 H	
				5 Y	
1	AZ35807	CYLINDER	2	X X	
2	AR26746	ELBOW FITTING	2	X X	
3	R26287	O-RING	2	X X	
4	19M7163	CAP SCREW	4	X X	M8 X 25
5	12M7008	LOCK WASHER	4	X X	8.100 MM
6	Z51199	VALVE	1	X X	
7	Z51197	COVER	1	X X	
8	Z51198	SPRING	1	X X	
9	47M7003	WASHER	1	X X	13 X 24 X 4.600 MM
..	AZ40082	SEAL KIT	1	X X	

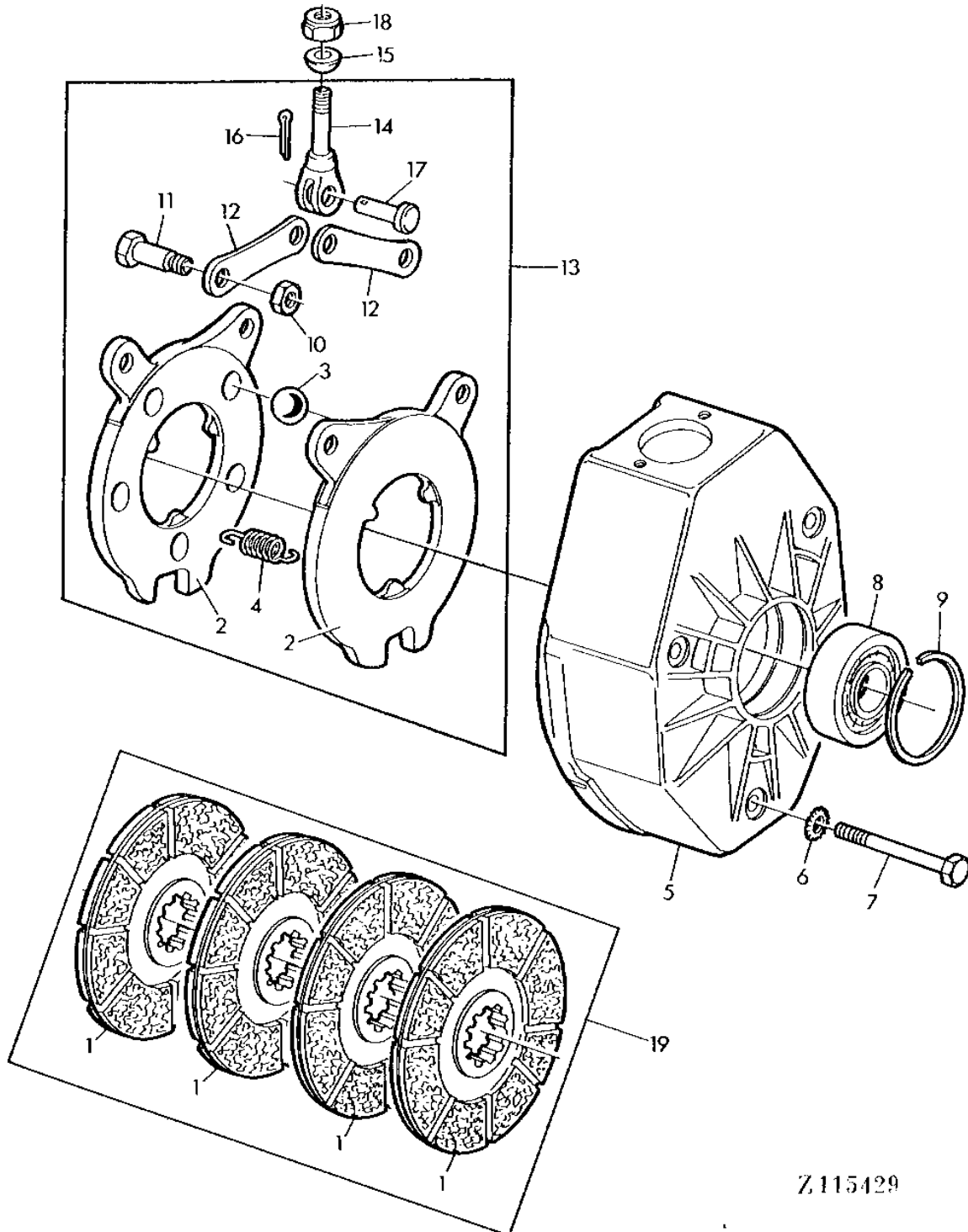
MEMORANDA

2F2

BRAKES, REAR AXLE

Z115429 -UN-01JAN94

DISK BRAKES FOOT BRAKES



Z115429

2F3

BRAKES, REAR AXLE

DISK BRAKES FOOT BRAKES - CONTINUED

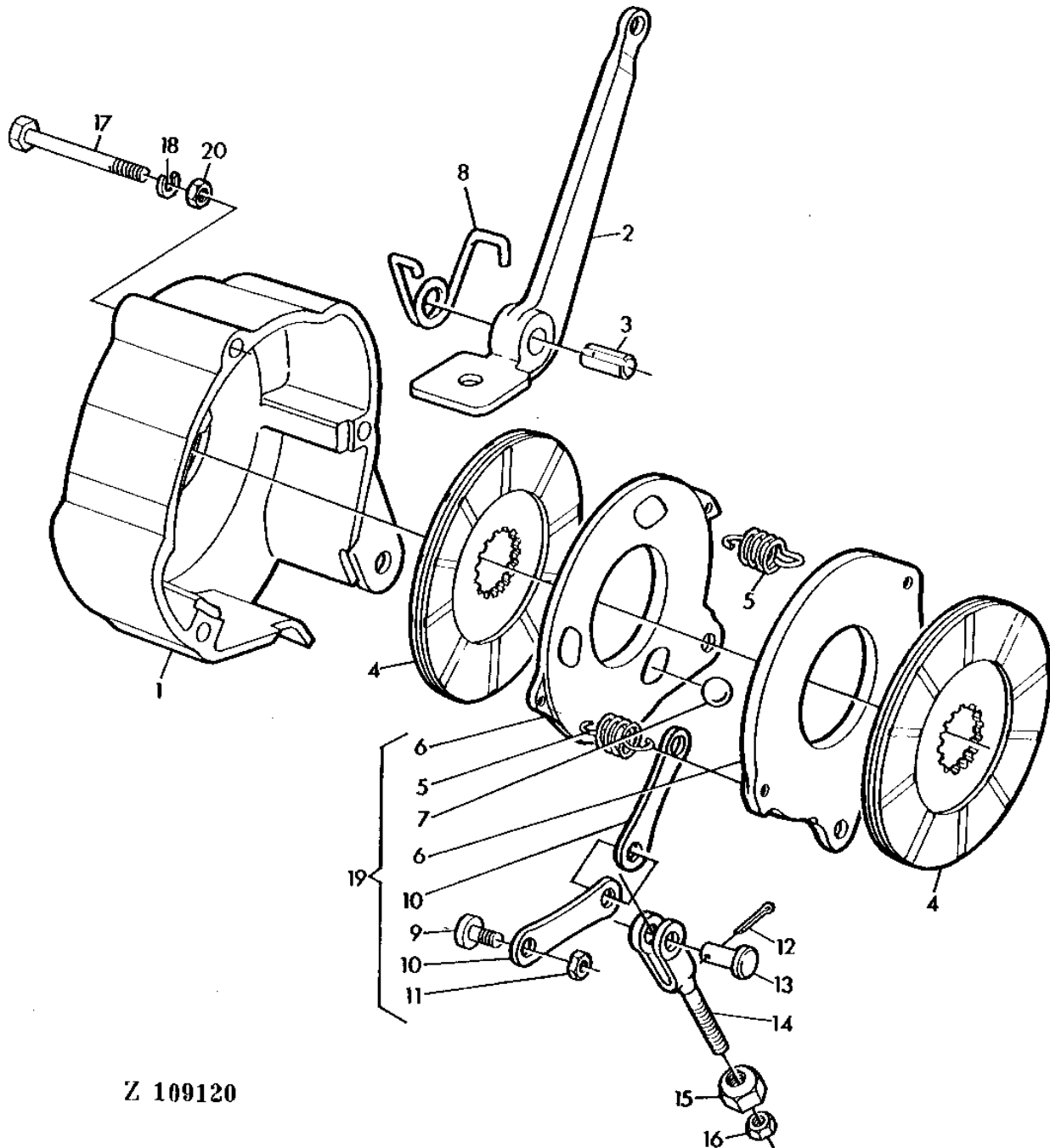
KEY	PART NO.	PART NAME	QTY	SERIAL NO.	5 Y	REMARKS
					4	
					4	
					4 3	
					4 5	
					3 H	
					5 Y	
1	BRAKE DISK	4		X X	NOT SUPPLIED SEPARATELY, (ORDER AZ42254)
2	BRAKE ACTUATING DISK	2		X X	NOT SUPPLIED SEPARATELY, (ORDER AZ38064)
3	Z45120	BALL	5		X X	
4	Z47786	SPRING	3		X X	
5	Z11605	HOUSING	2		X X	
6	12M7053	LOCK WASHER	6		X X	20 MM
7	Z45116	SCREW	6		X X	
8	JD10087	BALL BEARING	2		X X	
9	40M1871	SNAP RING	4		X X	80 X 2,5MM
10	NUT	2		X X	NOT SUPPLIED SEPARATELY, (ORDER AZ38064) (THIS APPLICATION)
11	SCREW	2		X X	NOT SUPPLIED SEPARATELY, (ORDER AZ38064)
12	LINK	2		X X	NOT SUPPLIED SEPARATELY, (ORDER AZ38064)
13	AZ38064	HANDBRAKE	2		X X	
14	Z11609	PIN	1		X X	
15	47M7003	WASHER	2		X X	13 X 24 X 4.600 MM
16	11M7022	COTTER PIN	1		X X	4 X 28 MM
17	Z45117	PIN	1		X X	
18	14M7168	LOCK NUT	2		X X	M12
19	AZ40479	BRAKE DISK	1		X	PKG. OF (4), (SUB AZ42254)
	AZ42254	BRAKE DISK	1		X X	PKG. OF (4)

2F4

BRAKES, REAR AXLE

Z109120 -UN-01JAN94

DISK BRAKES HANDBRAKE



Z 109120

2F5

BRAKES, REAR AXLE

DISK BRAKES HANDBRAKE - CONTINUED

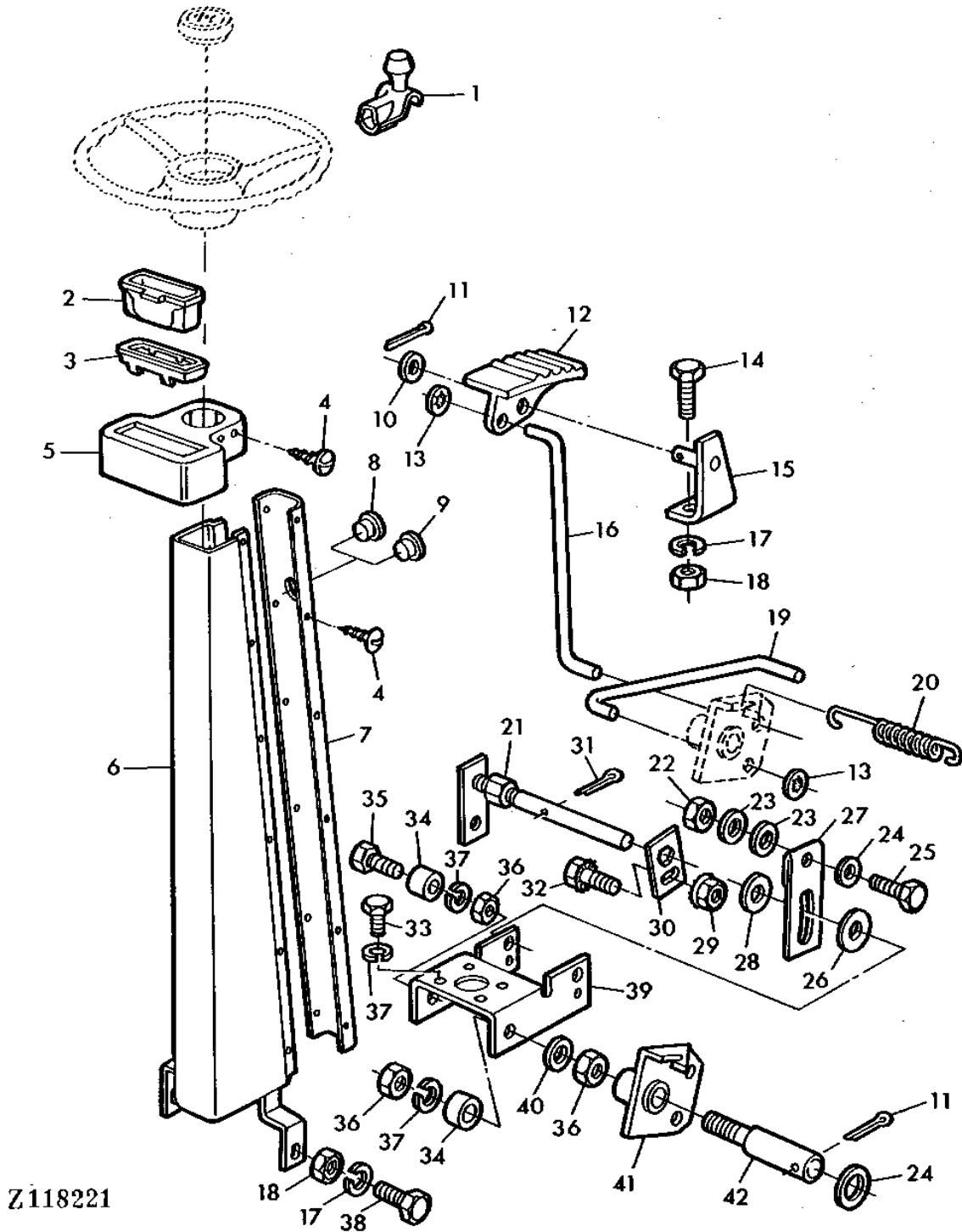
KEY	PART NO.	PART NAME	QTY	SERIAL NO.	4 4 4 3 4 5 3 H 5 Y	REMARKS
1	H11492	HOUSING	1		X X	
2	H11493	LEVER	1		X X	
3	34H375	SPRING PIN	1		X X	1/2" X 3"
4	AZ40481	DISK	2		X X	
5	M831T	SPRING	2		X X	
6	M3332T	DISK	2		X X	
7	M830T	BALL	4		X X	
8	Z37714	SPRING	1		X X	
9	M834T	STUD	2		X X	
10	M833T	LEVER	2		X X	
11	14H463	NUT	2		X X	5/16"
12	11H206	COTTER PIN	1		X X	3/32" X 3/4"
13	P48769	PIN	1		X X	
14	T19037	YOKE	1		X X	
15	H62385	NUT	2		X X	
16	14H774	NUT	1		X X	3/8"
17	19H2228	CAP SCREW	3		X X	3/8" X 4"
18	12H304	LOCK WASHER	3		X X	3/8"
19	AM3098T	DISK	1		X X	INCL.KEYS 5-11
20	14H812	NUT	3		X X	3/8"

2F6

BRAKES, REAR AXLE

Z118221 -UN-01JAN94

STEERING COLUMN



Z118221

2F7

BRAKES, REAR AXLE

STEERING COLUMN - CONTINUED

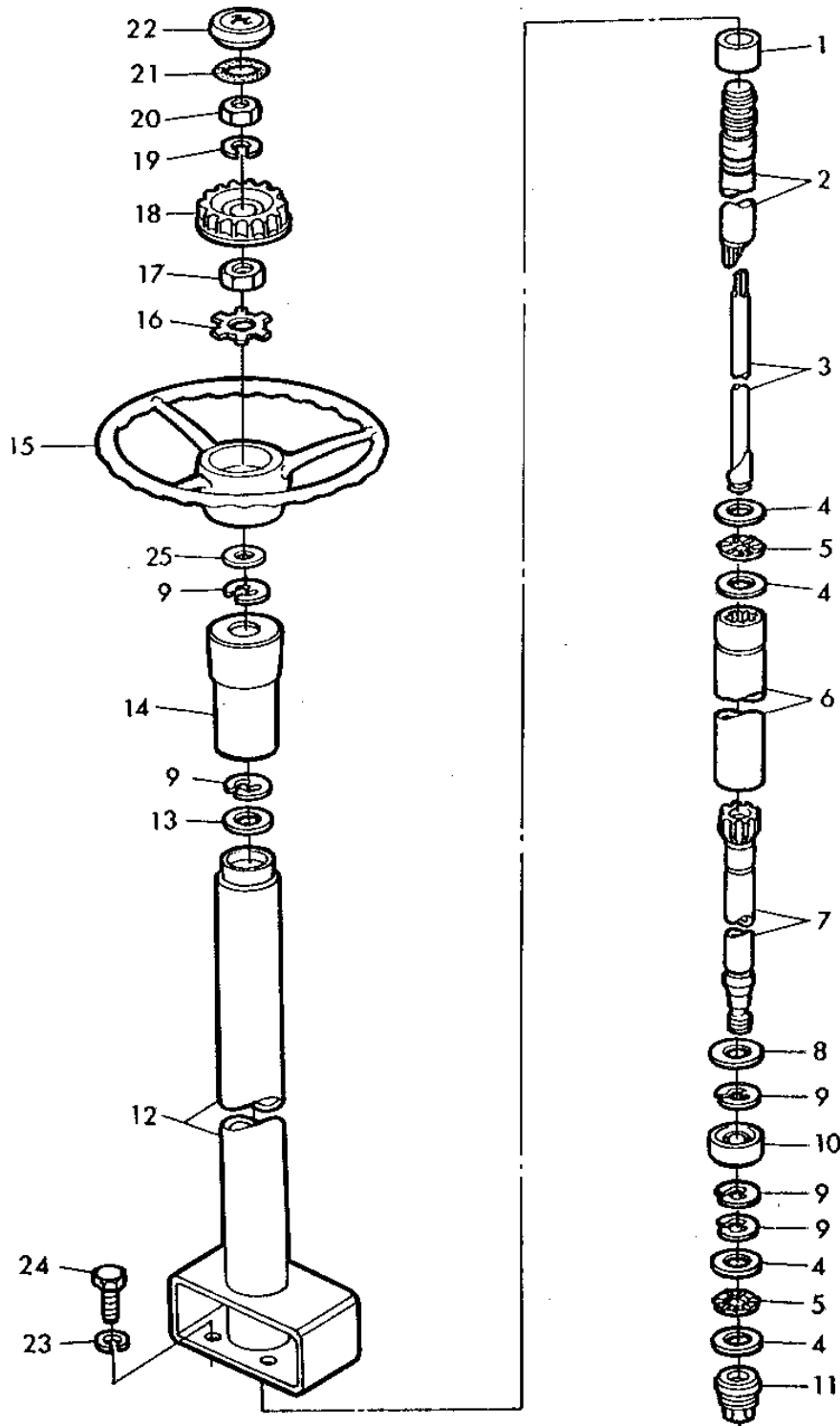
KEY	PART NO.	PART NAME	QTY	SERIAL NO.	4 4 4 3 4 5 3 H 5 Y	REMARKS
1	AZ38364	HANDLE	1		X X	
2	AZ36557	ASHTRAY	1		X X	
3	Z46064	FRAME	1		X X	
4	37M7117	SCREW	AR		X X	4,8 X 9,5MM
5	Z46150	HOLDER	1		X X	
6	AZ36748	GUARD	1		X X	FRONT
7	Z45767	CHANNEL	1		X X	REAR
8	Z34506	GROMMET	1		X X	
9	Z41514	PLUG	1		X X	
10	24M7085	WASHER	AR		X X	15 X 28 X 2.500 MM
11	11M7021	COTTER PIN	AR		X X	4 X 25 MM
12	Z11626	PEDAL	1		X X	
13	Z45579	RETAINER	4		X X	
14	19M7163	CAP SCREW	AR		X X	M8 X 25
15	AZ36043	RETAINER	1		X X	
16	Z45558	BAIL	1		X X	
17	12M7008	LOCK WASHER	AR		X X	8.100 MM
18	14M7029	NUT	AR		X X	M8
19	Z45574	BAIL	1		X X	
20	Z45564	EXTENSION SPRING	1		X X	
21	AZ36045	ADJUSTER	1		X X	
22	14M7142	NUT	1		X X	M16
23	24M7114	WASHER	2		X X	19 X 30 X 4 MM
24	24M7048	WASHER	AR		X X	15.500 X 28 X 2.500 MM
25	19M7344	CAP SCREW	1		X X	M16 X 65
26	Z46126	SHIM	9		X X	
27	Z46125	STRAP	10		X X	
28	24H1825	WASHER	1		X X	11/16" X 1-1/2" X 0.194"
29	14M7418	FLANGE NUT	1		X X	M10
30	Z45556	STRAP	1		X X	
31	11M7027	COTTER PIN	AR		X X	5 X 28 MM
32	19M8308	CAP SCREW	1		X X	M8 X 20
33	19H3483	CAP SCREW	AR		X X	3/8" X 1-1/8"
34	Z32649	SPACER	2		X X	
35	19M7381	CAP SCREW	1		X X	M10 X 28
36	14M7140	NUT	AR		X X	M10
37	12M7013	LOCK WASHER	AR		X X	10.200 MM
38	19M7139	CAP SCREW	AR		X X	M8 X 20
39	Z46129	RETAINER	1		X X	
40	24M7040	WASHER	1		X X	11 X 20 X 2 MM
41	AZ36044	HOLDER	1		X X	
42	Z51252	STUD	1		X X	

2F8

BRAKES, REAR AXLE

Z117276 -UN-01JAN94

STEERING COLUMN



Z117276

2F9

BRAKES, REAR AXLE

STEERING COLUMN - CONTINUED

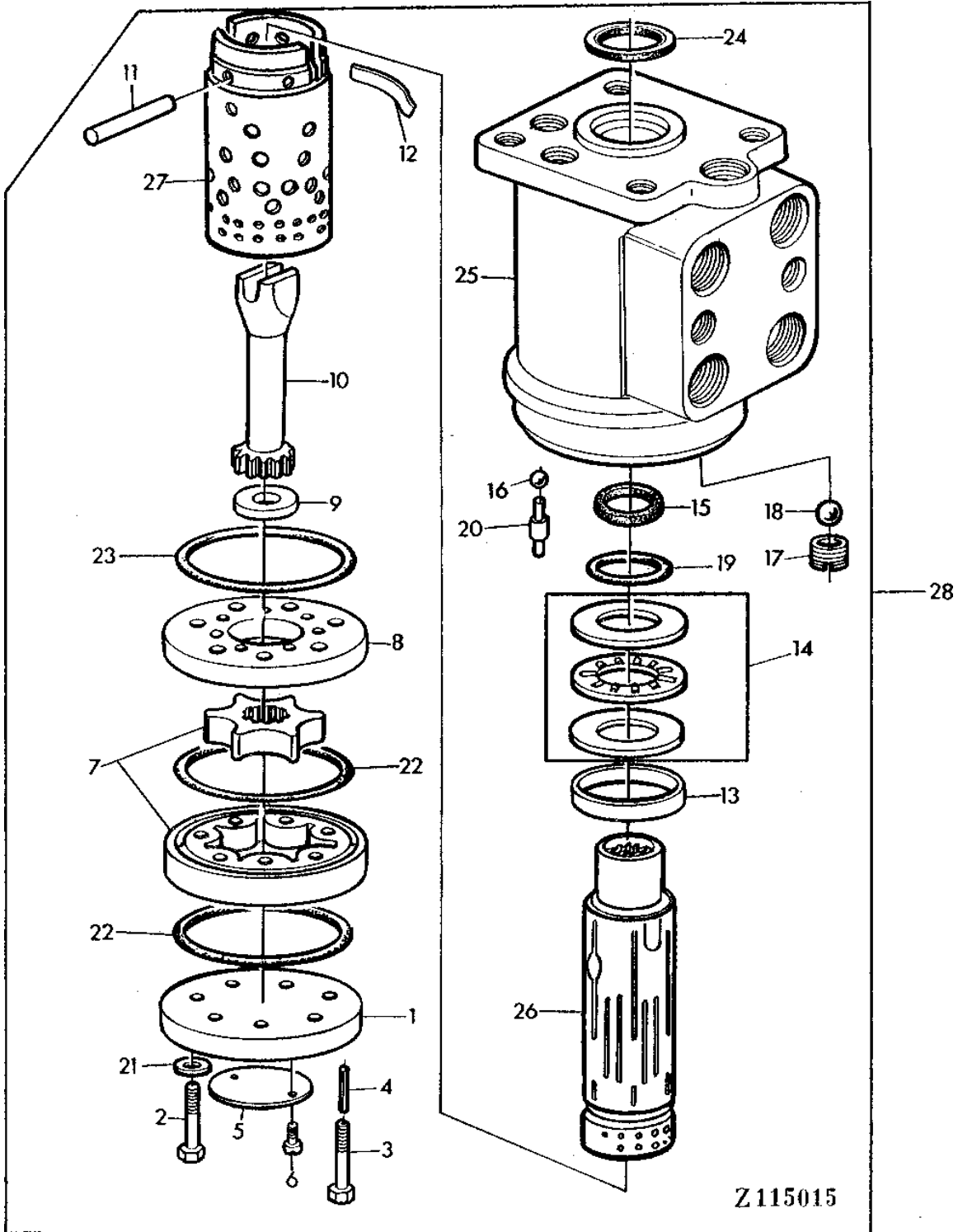
KEY	PART NO.	PART NAME	QTY	SERIAL NO.	4 4 4 3 4 5 3 H 5 Y	REMARKS
1	R50875	BUSHING	1		X X	(SUB L64214)
	L64214	BUSHING	1		X X	
2	R62280	SHAFT	1		X X	
3	AR54808	ROD	1		X X	
4	JD9931	THRUST BEARING	4		X X	
5	JD8875	NEEDLE BEARING	2		X X	
6	R50869	SPLINED COUPLING	1		X X	
7	Z45764	STEERING WHEEL SHAFT	1		X X	
8	R42629	WASHER	1		X X	
9	P46402	SNAP RING	5		X X	
10	R55498	BUSHING	1		X X	
11	L39033	HOLLOW SCREW	1		X X	
12	AZ36170	SUPPORT	1		X X	
13	R32730	SEAL	1		X X	
14	R51153	SLEEVE	1		X X	
15	AL28457	STEERING WHEEL	1		X X	
16	R71650	WASHER	1		X X	
17	14H904	NUT	1		X X	3/4"
18	R50871	KNOB	1		X	(SUB R91298)
	R91298	KNOB	1		X X	
19	12H303	LOCK WASHER	1		X X	5/16"
20	14H650	NUT	1		X X	5/16"
21	B3690R	O-RING	1		X X	
22	AL36533	COVER	1		X X	
23	12M7013	LOCK WASHER	5		X X	10.200 MM
24	19H3483	CAP SCREW	4		X X	3/8" X 1-1/8"
25	L61603	WASHER	1		X X	

2F10

BRAKES, REAR AXLE

Z115015 -UN-01JAN94

INDIVIDUAL PARTS FOR STEERING PUMP



2F11

BRAKES, REAR AXLE

INDIVIDUAL PARTS FOR STEERING PUMP - CONTINUED

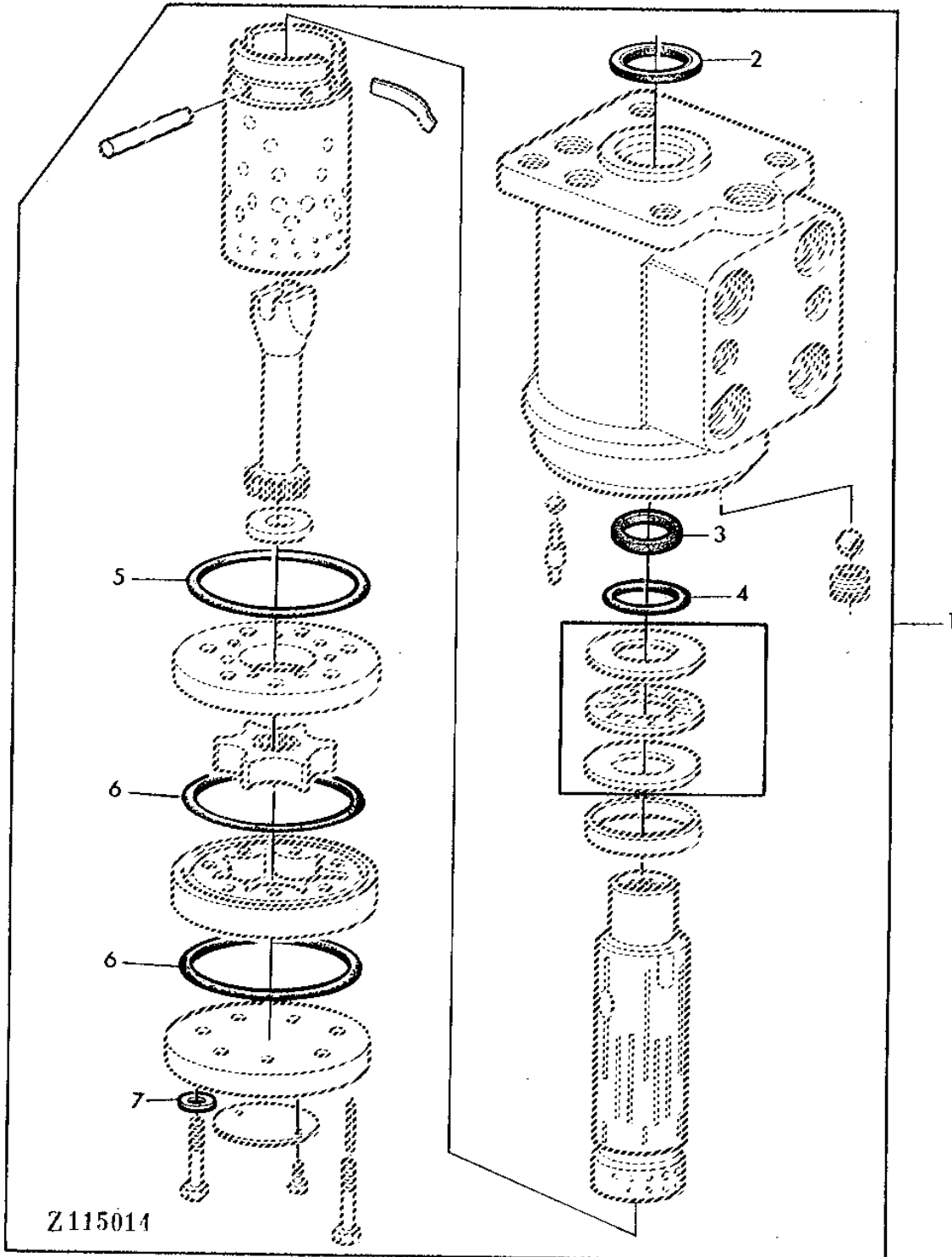
KEY	PART NO.	PART NAME	QTY	SERIAL NO.	4 4 4 3 4 5 3 H 5 Y	REMARKS
1	Z31359	COVER	1		X X	
2	19M7698	CAP SCREW	6		X X	M8 X 40
3	L32709	CAP SCREW	1		X X	
4	Z31360	SPRING PIN	1		X X	
5	Z31363	SERIAL NUMBER PLATE	1		X X	
6	Z31364	SCREW	2		X X	
7	AL32777	GEAR	1		X X	
8	Z31358	DISTRIBUTOR PLATE	1		X X	
9	L36306	SHIM	1		X X	
10	Z31356	DRIVE SHAFT	1		X X	
11	Z31354	PIN	1		X X	
12	AZ25154	LEAF SPRING	1		X X	KIT
13	Z31353	RING	1		X X	
14	AL36989	THRUST BEARING	1		X X	
15	Z31455	BACK-UP RING	1		X X	(KIT AZ20003)
16	H871R	BALL	2		X X	
17	Z31350	PIPE PLUG	1		X X	
18	Z31349	BALL	1		X X	
19	Z31452	O-RING	1		X X	(KIT AZ20003)
20	AL37593	PIN	2		X X	
21	Z31456	WASHER	7		X X	(KIT AZ20003)
22	Z31454	O-RING	2		X X	(KIT AZ20003)
23	Z31453	O-RING	1		X X	(KIT AZ20003)
24	Z31348	SEAL	1		X X	(KIT AZ20003)
25	HOUSING	1		X X	(ORDER AZ40009)
26	VALVE SPOOL	1		X X	(ORDER AZ40009)
27	VALVE SPOOL	1		X X	(ORDER AZ40009)
28	AZ40009	STEERING CONTROL UNIT	1		X X	DANFOSS-150-1156, (INCL.AZ31301 AND AZ33901)

2F12

BRAKES, REAR AXLE

Z115014 -UN-01JAN94

SEAL KIT FOR STEERING PUMP



2F13

BRAKES, REAR AXLE

SEAL KIT FOR STEERING PUMP - CONTINUED

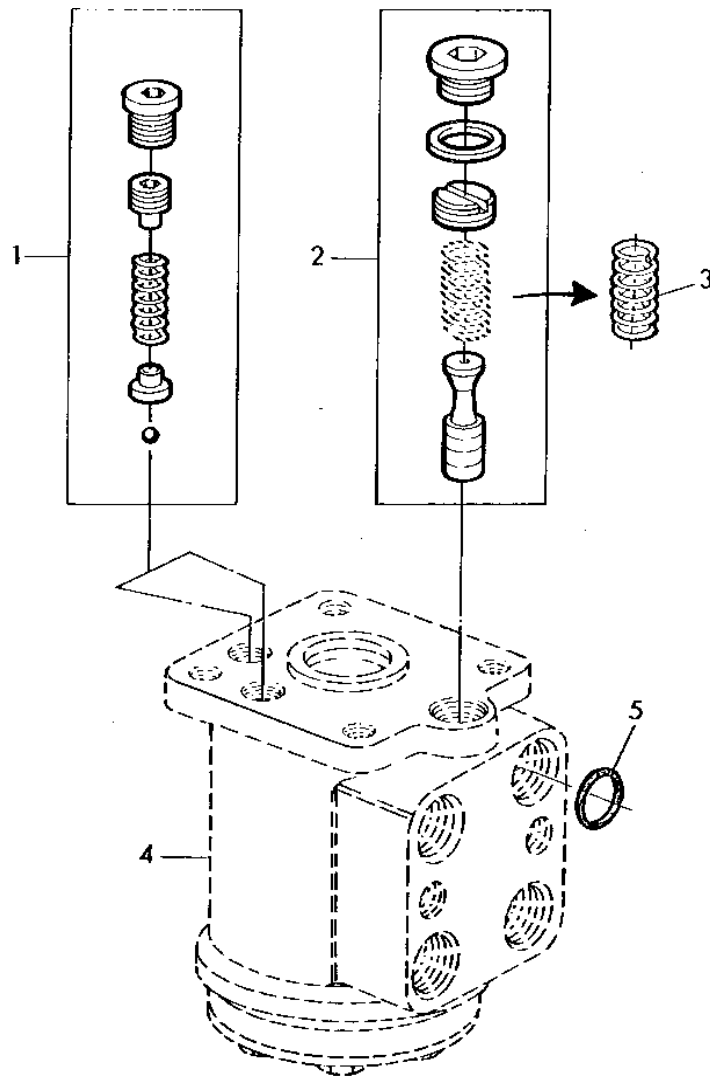
KEY	PART NO.	PART NAME	QTY	SERIAL NO.	4 4 4 3 4 5 3 H 5 Y	REMARKS
1	AZ20003	SEAL KIT	1		X X	
2	Z31348	SEAL	1		X X	
3	Z31455	BACK-UP RING	1		X X	
4	Z31452	O-RING	1		X X	
5	Z31453	O-RING	1		X X	
6	Z31454	O-RING	2		X X	
7	Z31456	WASHER	7		X X	

2F14

BRAKES, REAR AXLE

Z113151 -UN-01JAN94

INDIVIDUAL PARTS FOR STEERING PUMP



Z113151

2F15

BRAKES, REAR AXLE

INDIVIDUAL PARTS FOR STEERING PUMP - CONTINUED

KEY	PART NO.	PART NAME	QTY	SERIAL NO.	4 4 4 3 4 5 3 H 5 Y	REMARKS
1	AZ31301	VALVE	2		X X	
2	AZ33901	GASKET KIT	1		X X	
3	Z51238	COMPRESSION SPRING	1		X X	
4	STEERING CONTROL UNIT	1		X X	(ORDER AZ40009)
5	R26375	O-RING	4		X X	

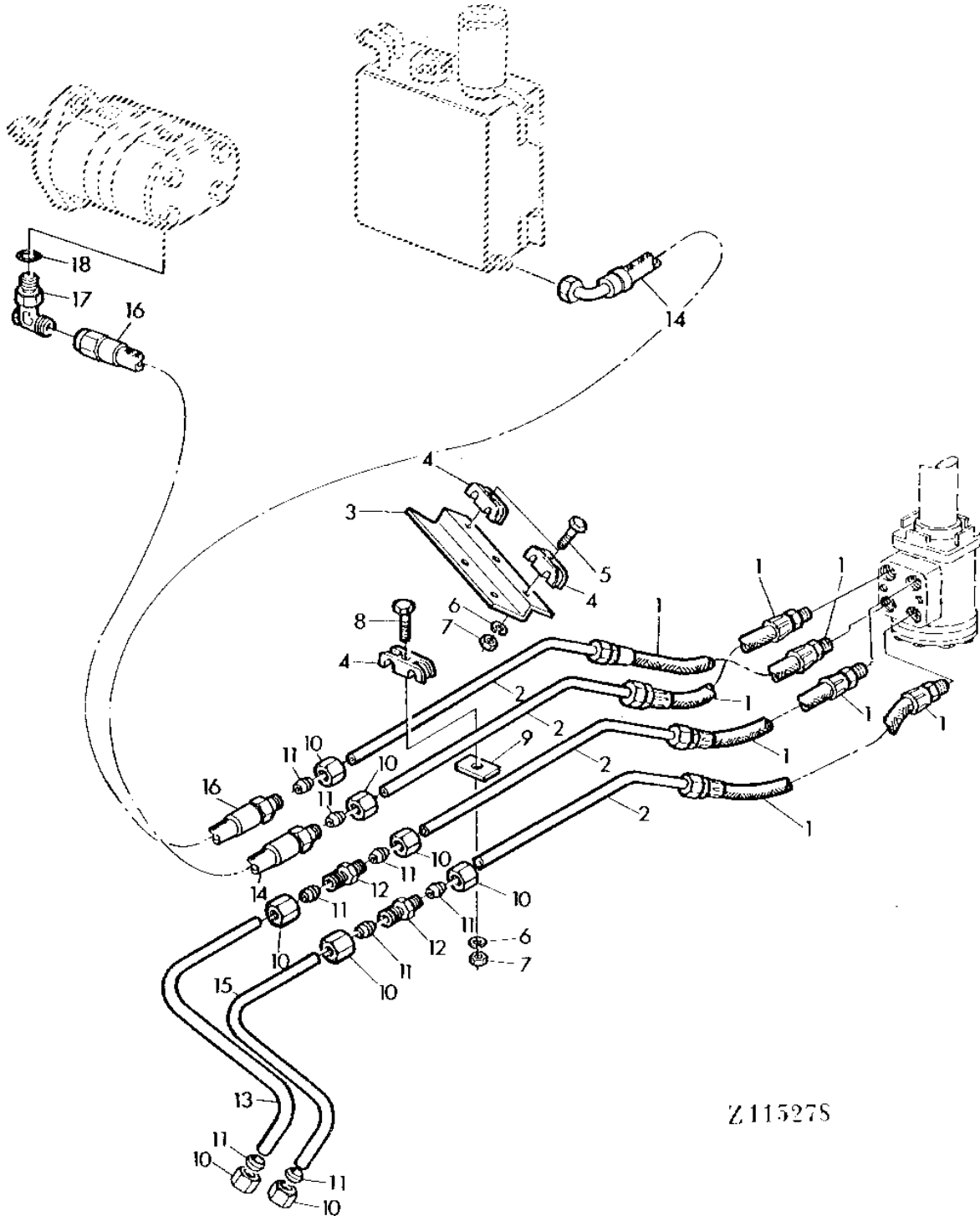
2F16

BRAKES, REAR AXLE

Z115278

-UN-01JAN94

STEERING LINES AND HOSES (FRONT)



Z115278

2F17

BRAKES, REAR AXLE

STEERING LINES AND HOSES (FRONT) - CONTINUED

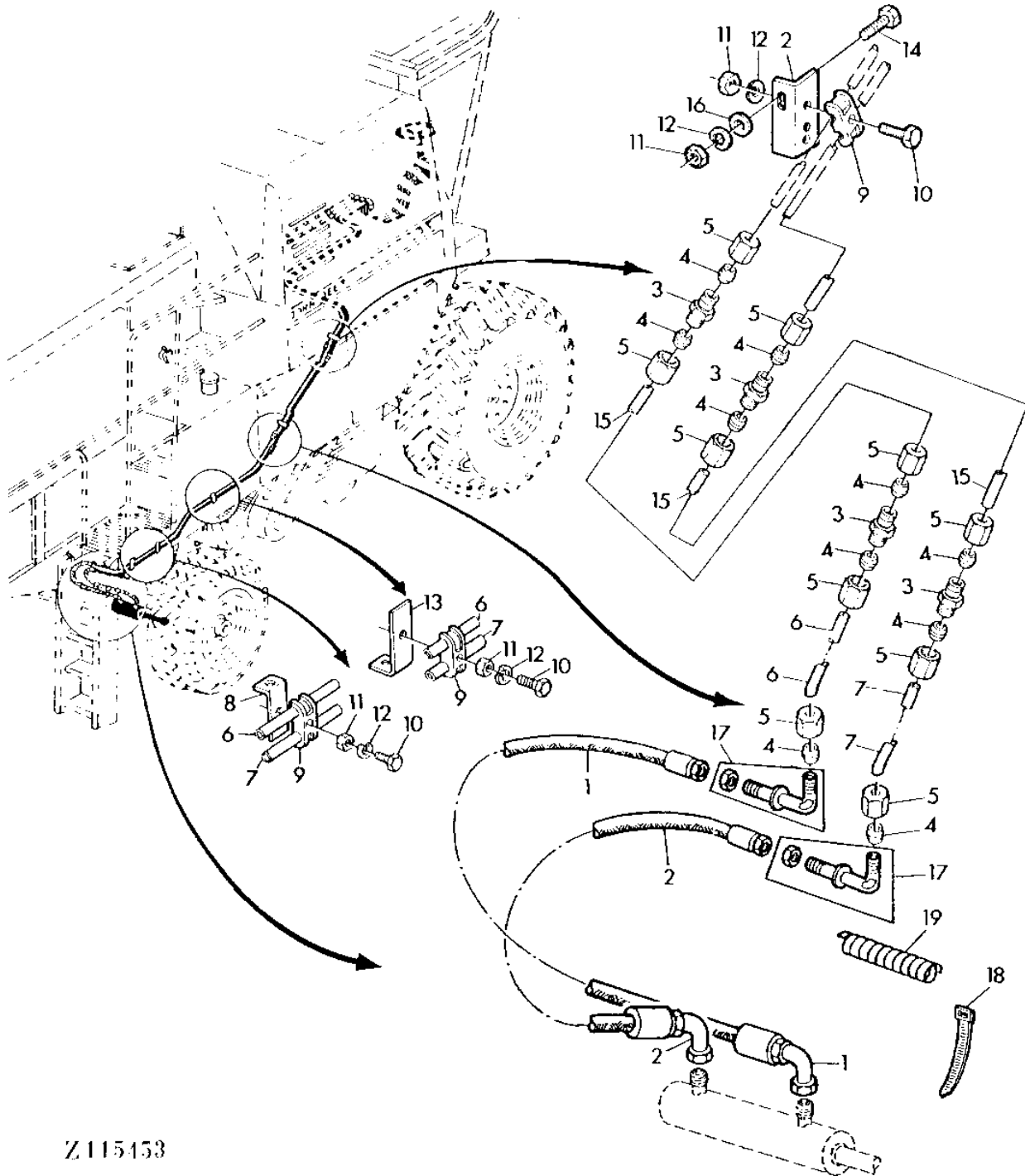
KEY	PART NO.	PART NAME	QTY	SERIAL NO.	4 4 4 3 4 5 3 H 5 Y	REMARKS
1	AZ35262	HYDRAULIC HOSE	4		X X	
2	AZ35265	OIL LINE	4		X X	INCL.KEYS 10,11
3	Z44770	RETAINER	1		X X	
4	Z34955	CLAMP	AR		X X	
5	19M7286	CAP SCREW	AR		X X	M6 X 25
6	12M7012	LOCK WASHER	AR		X X	6.100 MM
7	14M7027	NUT	AR		X X	M6
8	19M7177	CAP SCREW	AR		X X	M6 X 35
9	Z30667	PLATE	4		X X	
10	Z32974	TUBE NUT	AR		X X	
11	Z51240	SLEEVE FITTING	AR		X X	
12	Z32960	COUPLING	AR		X X	
13	AZ23939	OIL LINE	1		X X	INCL.KEYS 10,11
14	AZ36552	HYDRAULIC HOSE	2		X X	
15	AZ23940	OIL LINE	1		X X	INCL.KEYS 10,11
16	AZ36551	HYDRAULIC HOSE	1		X X	
17	AT38033	ELBOW FITTING	1		X X	
18	R26375	O-RING	4		X X	

2F18

BRAKES, REAR AXLE

Z115453 -UN-01JAN94

STEERING LINES AND HOSES (REAR)



Z115453

2F19

BRAKES, REAR AXLE

STEERING LINES AND HOSES (REAR) - CONTINUED

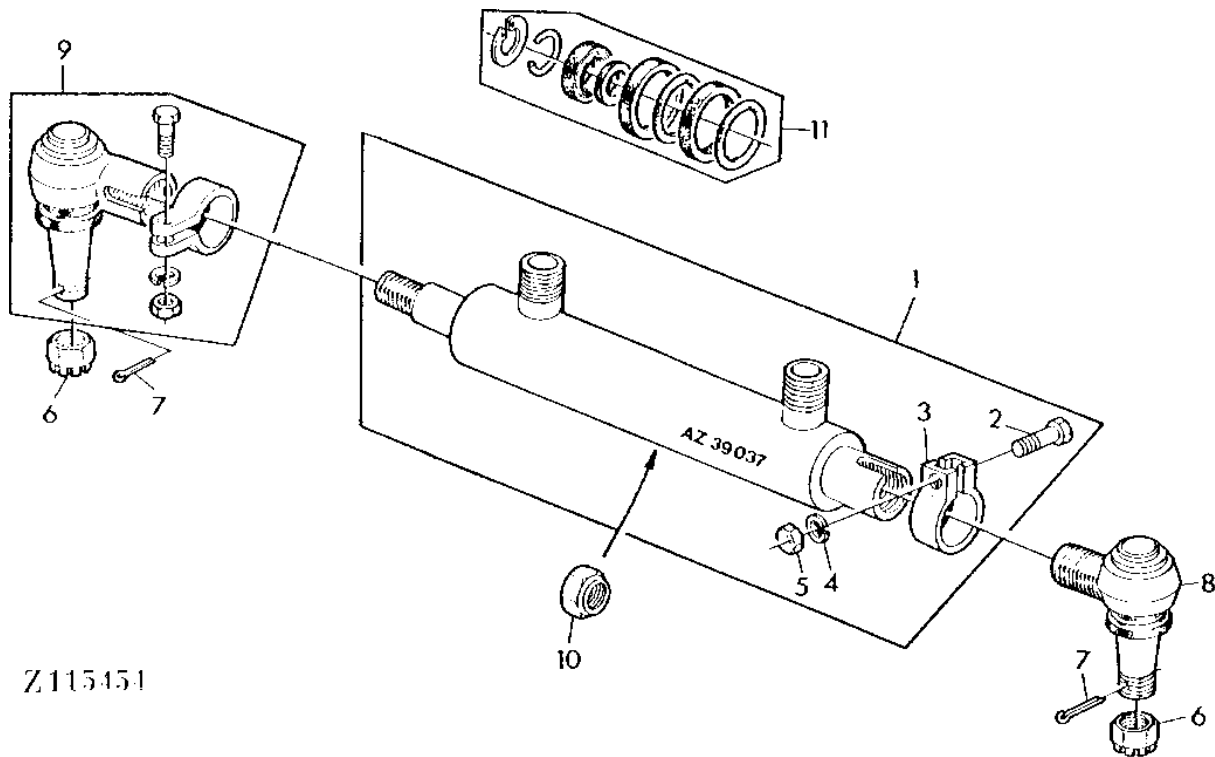
KEY	PART NO.	PART NAME	QTY	SERIAL NO.	4 4 4 3 4 5 3 H 5 Y	REMARKS
1	AZ37036	HYDRAULIC HOSE	1		X X	
2	AZ39039	HYDRAULIC HOSE	1		X X	
3	Z32960	COUPLING	6		X X	
4	Z32995	SLEEVE FITTING	10		X X	
5	Z32974	TUBE NUT	10		X X	
6	AZ37163	OIL LINE	1		X X	UPPER
7	AZ37164	OIL LINE	1		X X	LOWER
8	Z32683	ANGLE	2		X X	
9	Z34955	CLAMP	4		X X	
10	19M7286	CAP SCREW	AR		X X	M6 X 25
11	14M7027	NUT	AR		X X	M6
12	12M7012	LOCK WASHER	AR		X X	6.100 MM
13	Z27437	ANGLE	4		X X	
14	19M7077	CAP SCREW	AR		X X	M6 X 20
15	AZ23967	OIL LINE	2		X X	
16	24M7088	WASHER	AR		X X	6.600 X 12 X 1.600 MM
17	Z44181	ANGLE	AR		X X	
18	R44302	TIE BAND	AR		X X	
19	Z51585	GUARD	1		X X	

2F20

BRAKES, REAR AXLE

Z115454 -UN-01JAN94

STEERING CYLINDER



Z115454

2F21

BRAKES, REAR AXLE

STEERING CYLINDER - CONTINUED

KEY	PART NO.	PART NAME	QTY	SERIAL NO.	4 4 4 3 4 5 3 H 5 Y	REMARKS
1	AZ39037	HYDRAULIC CYLINDER	1		X X	
2	19M2930	CAP SCREW	1		X X	M16 X 65
3	Z48022	CLAMP	1		X X	
4	12M7069	LOCK WASHER	1		X X	16.200 MM
5	14M7276	NUT	1		X X	M16
6	14M5409	NUT	2		X X	M20
7	11M7024	COTTER PIN	2		X X	4 X 36 MM
8	AZ40007	BALL JOINT	1		X X	
9	AZ40008	BALL JOINT	1		X X	
10	Z47519	LOCK NUT	1		X X	
11	AZ37844	SEAL KIT	1		X X	

MEMORANDA

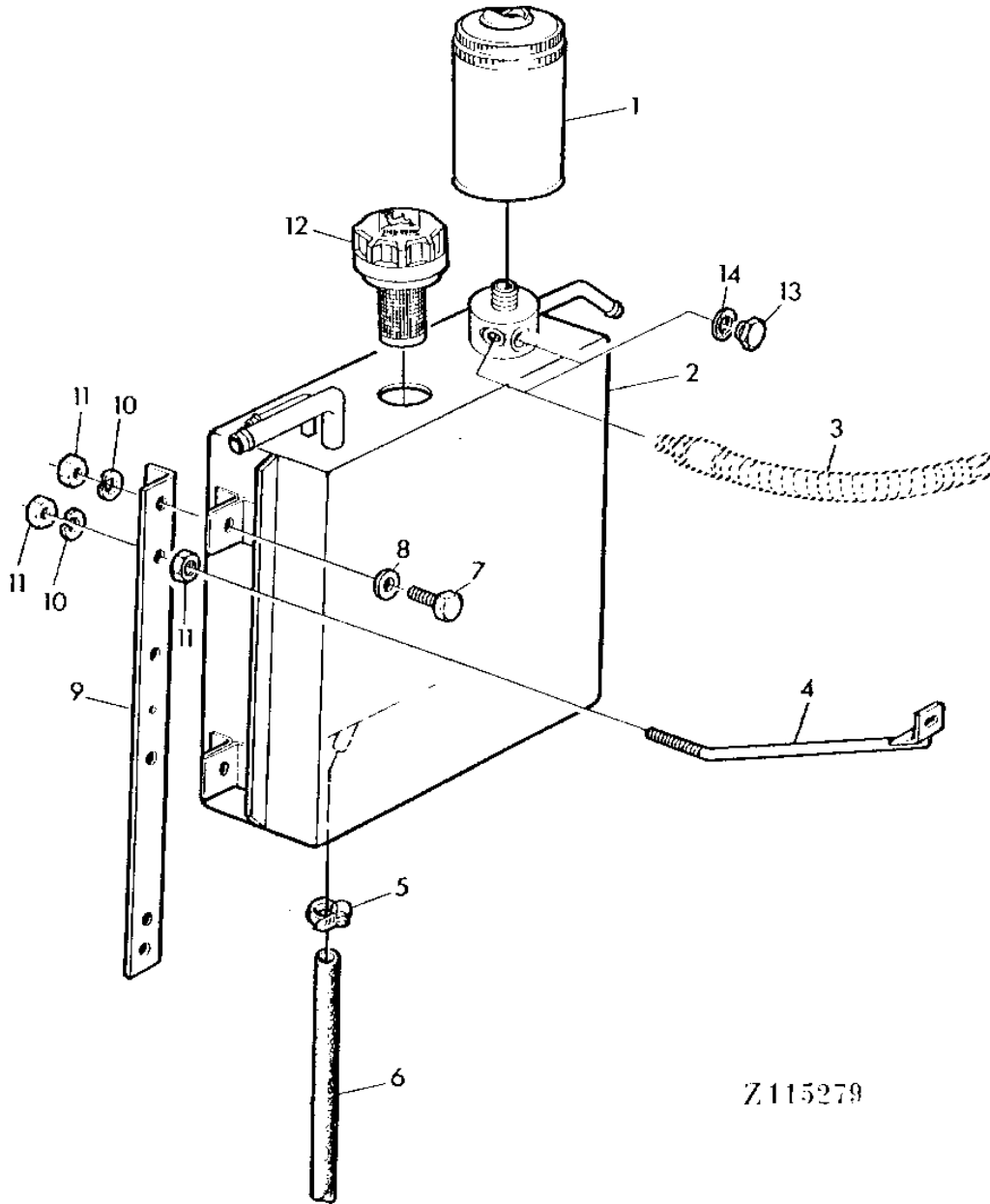
2G6

HYDRAULIC SYSTEM

Z115279

-UN-01JAN94

MAIN HYDRAULIC RESERVOIR



Z115279

2G7

HYDRAULIC SYSTEM

MAIN HYDRAULIC RESERVOIR - CONTINUED

KEY	PART NO.	PART NAME	QTY	SERIAL NO.	4 4 4 3 4 5 3 H 5 Y	REMARKS
1	AZ22878	FILTER	1		X X	
2	AZ36554	HYDRAULIC RESERVOIR	1		X X	
3	SENDER	1		X X	SEE SECTION 040
4	AZ23828	BRACE	1		X X	
5	Z26822	CLAMP	1		X X	
6	Z46100	HOSE	1		X X	
7	19M7139	CAP SCREW	AR		X X	M8 X 20
8	24M7055	WASHER	AR		X X	8.400 X 16 X 1.600 MM
9	Z34077	ANGLE	2		X X	
10	12M7008	LOCK WASHER	AR		X X	8.100 MM
11	14M7029	NUT	AR		X X	M8
12	AZ40323	FILTER	1		X X	
13	15M7024	DRAIN PLUG	1		X X	M12
14	51M4234	RING	1		X X	12 X 16 X 1,5MM

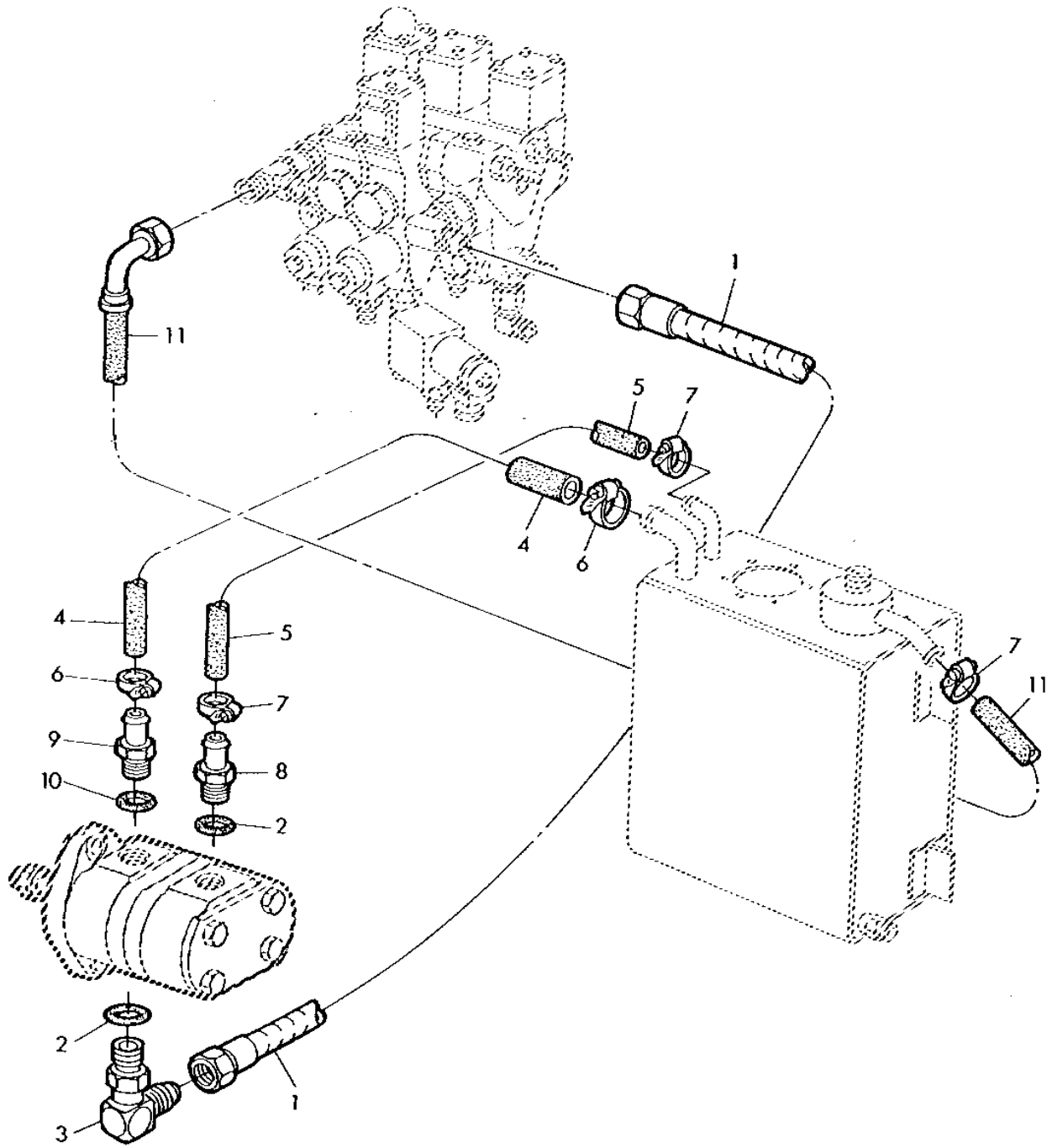
2G8

HYDRAULIC SYSTEM

Z115333

-UN-01JAN94

HYDRAULIC LINES - HYDRAULIC PUMP TO MAIN HYDRAULIC RESERVOIR



Z115333

2G9

HYDRAULIC SYSTEM

HYDRAULIC LINES - HYDRAULIC PUMP TO MAIN HYDRAULIC RESERVOIR - CONTINUED

KEY	PART NO.	PART NAME	QTY	SERIAL NO.	4 4 4 3 4 5 3 H 5 Y	REMARKS
1	AZ38468	HYDRAULIC HOSE	1		X X	
2	R26906	O-RING	2		X X	
3	AT32338	FITTING	1		X X	
4	Z36049	HOSE	1		X X	
5	Z46049	HOSE	1		X X	340MM (13.39") LONG
6	Z26822	CLAMP	2		X X	
7	Z34829	CLAMP	3		X X	
8	R39171	HOSE FITTING	1		X X	
9	R44852	FITTING	1		X X	
10	F3171R	O-RING	1		X X	
11	AZ36553	HYDRAULIC HOSE	1		X X	

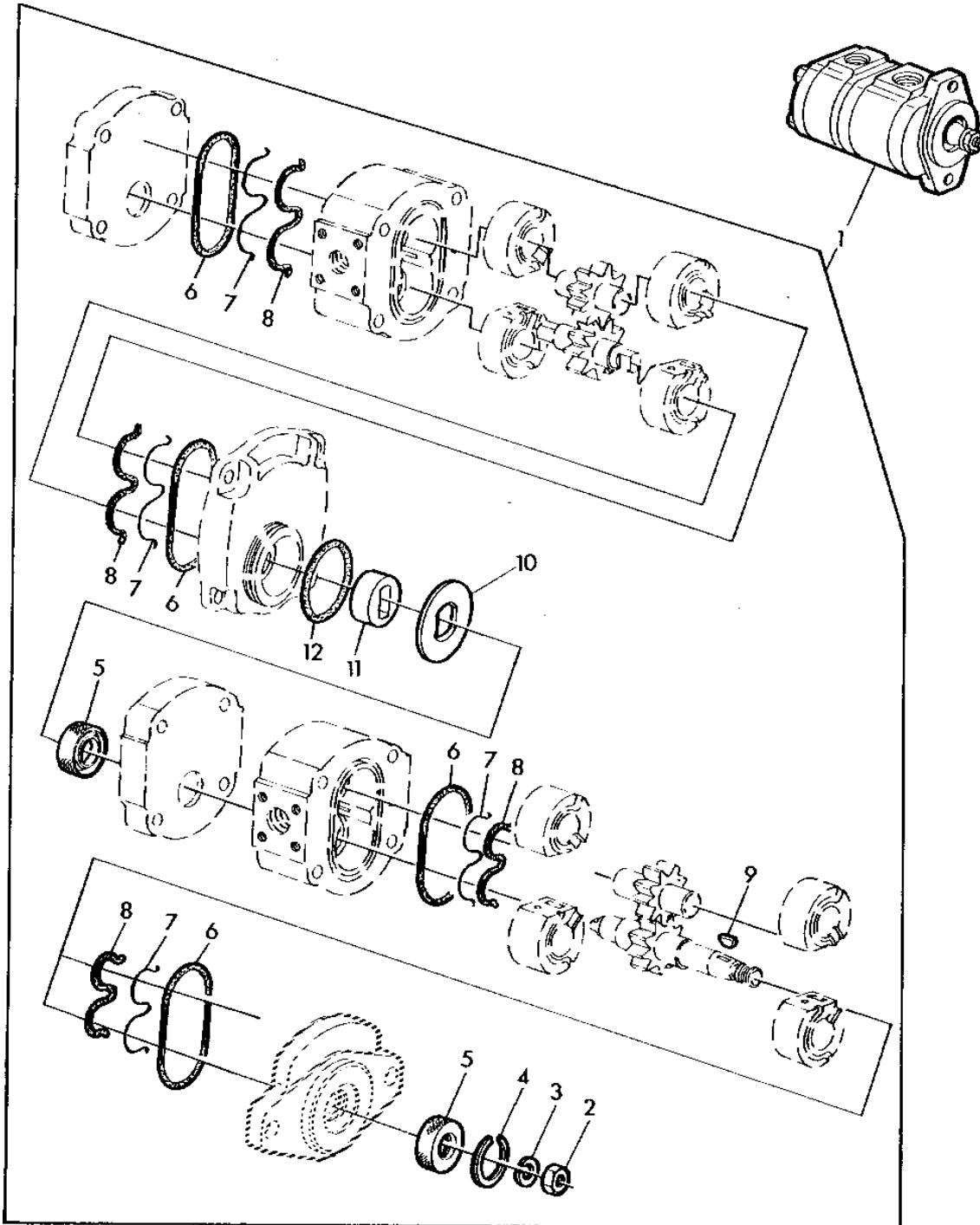
2G10

HYDRAULIC SYSTEM

Z111465

-UN-01JAN94

MAIN HYDRAULIC PUMP



Z111465

2G11

HYDRAULIC SYSTEM

MAIN HYDRAULIC PUMP - CONTINUED

KEY	PART NO.	PART NAME	QTY	SERIAL NO.	4 4 4 3 4 5 3 H 5 Y	REMARKS
1	AZ36555	HYDRAULIC PUMP	1		X X	
2	14M7155	NUT	1		X X	M12
3	12M7014	LOCK WASHER	1		X X	12.200 MM
4	40M1855	SNAP RING	1		X X	30 X 1,2MM
5	AZ25987	SEAL	2		X X	
6	SEAL	4		X X	KIT AZ30292
7	BACK-UP RING	4		X X	KIT AZ30292
8	SEAL	4		X X	KIT AZ30292
9	26M4221	SHAFT KEY	1		X X	3 X 13 MM
10	L40914	WASHER	1		X X	
11	L29364	DRIVER	1		X X	
12	Z48079	O-RING	1		X X	
..	AZ30292	SEAL KIT	2		X X	INCL. KEYS (2)6 - 8

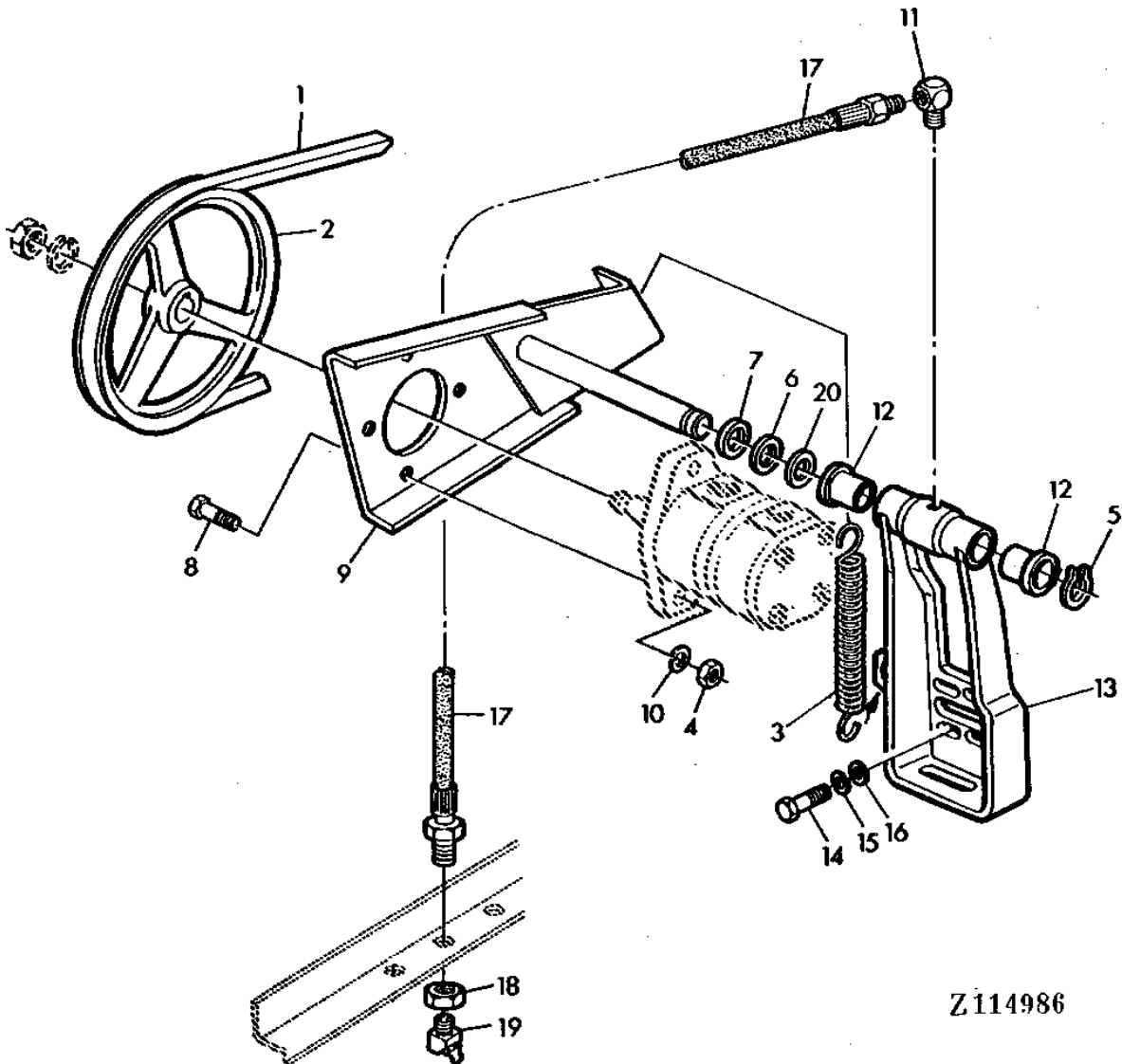
2G12

HYDRAULIC SYSTEM

Z114986

-UN-01JAN94

MAIN HYDRAULIC PUMP DRIVE AND MOUNTING



Z114986

2G13

HYDRAULIC SYSTEM

MAIN HYDRAULIC PUMP DRIVE AND MOUNTING - CONTINUED

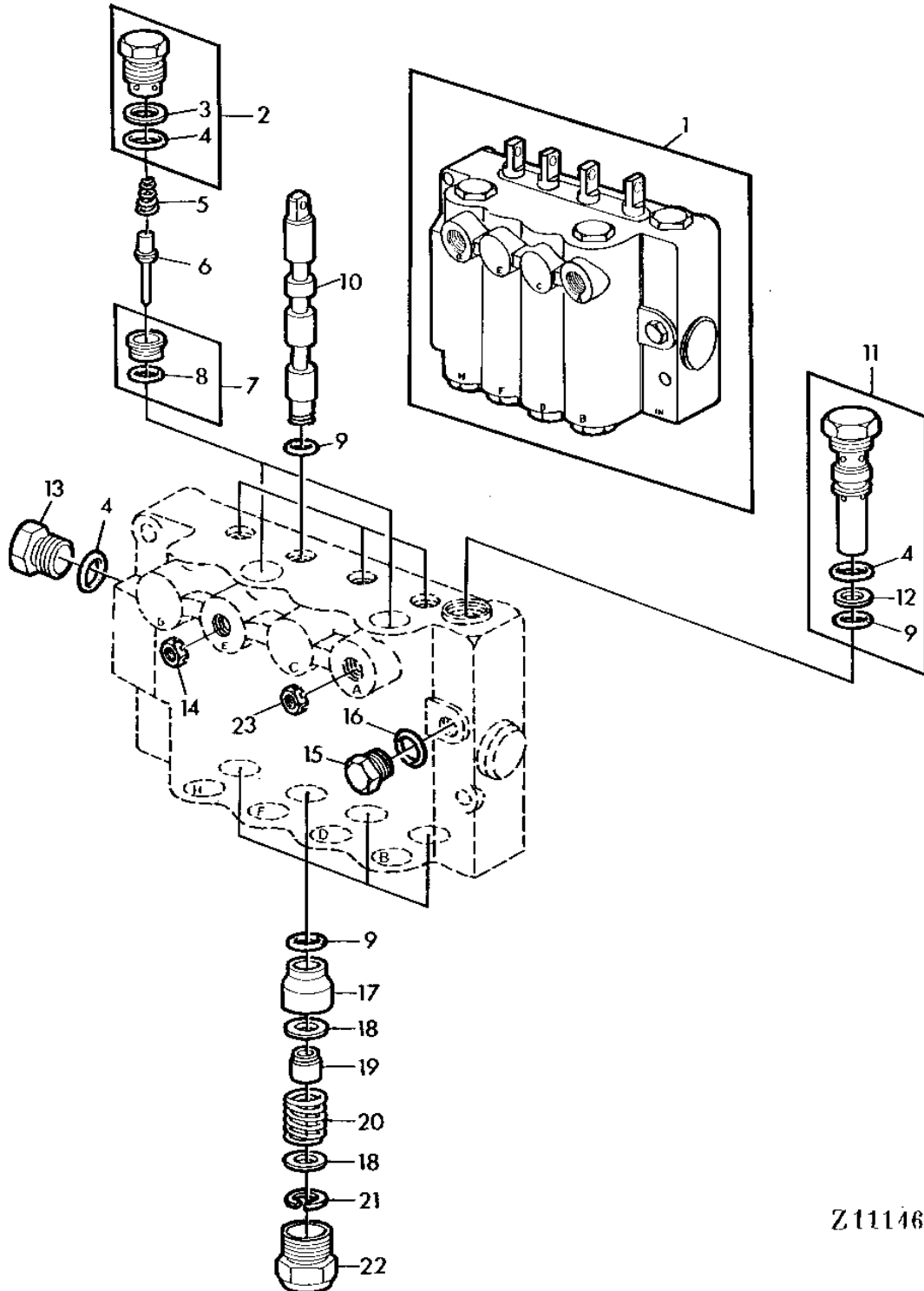
KEY	PART NO.	PART NAME	QTY	SERIAL NO.	4 4 4 3 4 5 3 H 5 Y	REMARKS
1	Z34828	BELT	1		X X	
2	Z11109	PULLEY	1		X X	
3	Z42383	EXTENSION SPRING	1		X X	
4	14M7140	NUT	AR		X X	M10
5	40M1828	SNAP RING	1		X X	25 X 1,2MM
6	L19162	SHIM	AR		X X	
7	24M7052	WASHER	AR		X X	25MM
8	19M7168	CAP SCREW	AR		X X	M10 X 30
9	AZ32127	ROCKER	1		X X	
10	12M7013	LOCK WASHER	AR		X X	10.200 MM
11	JD7845	LUBRICATION FITTING	1		X X	
12	Z47846	BUSHING	2		X	(SUB Z53355)
	Z53355	BUSHING	2		X X	
13	AZ36549	RETAINER	1		X X	INCL. (2)Z53355
14	19H1815	CAP SCREW	4		X X	1/2" X 1-1/4"
15	12H301	LOCK WASHER	4		X X	1/2"
16	24M7038	WASHER	4		X X	13.500 X 24 X 2.500 MM
17	AZ41214	HYDRAULIC HOSE	1		X X	
18	E12379	NUT	1		X X	
19	JD7788	LUBRICATION FITTING	1		X X	
20	Z24651	WASHER	1		X X	

2G14

HYDRAULIC SYSTEM

Z111467 -UN-01JAN94

MAIN CONTROL VALVE



Z111467

2G15

HYDRAULIC SYSTEM

MAIN CONTROL VALVE - CONTINUED

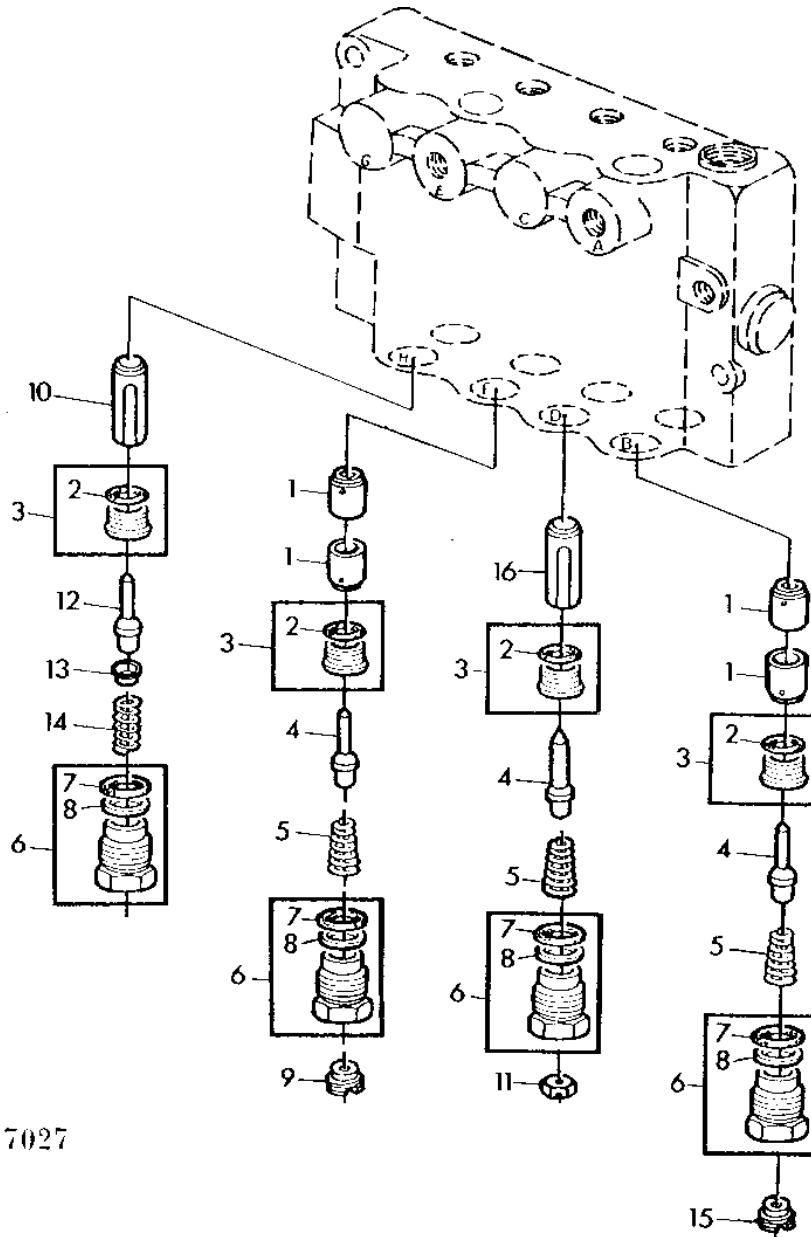
KEY	PART NO.	PART NAME	QTY	SERIAL NO.	4 4 4 3 4 5 3 H 5 Y	REMARKS
1	AZ38491	CONTROL VALVE	1		X X	WITHOUT ORIFICES
2	AZ33504	PLUG	2		X X	
3	H35230	BACK-UP RING	2		X X	(KIT AZ24156)
4	T13119	O-RING	AR		X X	(KIT AZ24156)
5	N111493	SPRING	2		X X	
6	AN30940	POPPET	2		X X	
7	AZ17996	VALVE SEAT INSERT	2		X X	
8	R27166	O-RING	2		X X	(KIT AZ24156)
9	R375R	O-RING	9		X X	(KIT AZ24156)
10	VALVE SPOOL	4		X X	NOT SUPPLIED SEPARATELY
11	AH63330	RELIEF VALVE	1		X X	
12	H63357	BACK-UP RING	1		X X	(KIT AZ24156)
13	R27474	DRAIN PLUG	1		X X	
14	Z44132	RESTRICTOR	1		X X	I.D. = 0,9MM (0.035")
15	R31631	DRAIN PLUG	1		X X	
16	R26287	O-RING	1		X X	(KIT AZ24156)
17	N111488	BUSHING	4		X X	
18	N31767	WASHER	8		X X	
19	H62801	BUSHING	4		X X	
20	H60819	SPRING	4		X X	
21	32244	SNAP RING	4		X X	
22	AH78788	PLUG	4		X X	
23	Z44134	RESTRICTOR	1		X X	
..	AZ24156	KIT	1		X X	

2G16

HYDRAULIC SYSTEM

Z117027 -UN-01JAN94

MAIN CONTROL VALVE POPPETS



Z117027

2G17

HYDRAULIC SYSTEM

MAIN CONTROL VALVE POPPETS - CONTINUED

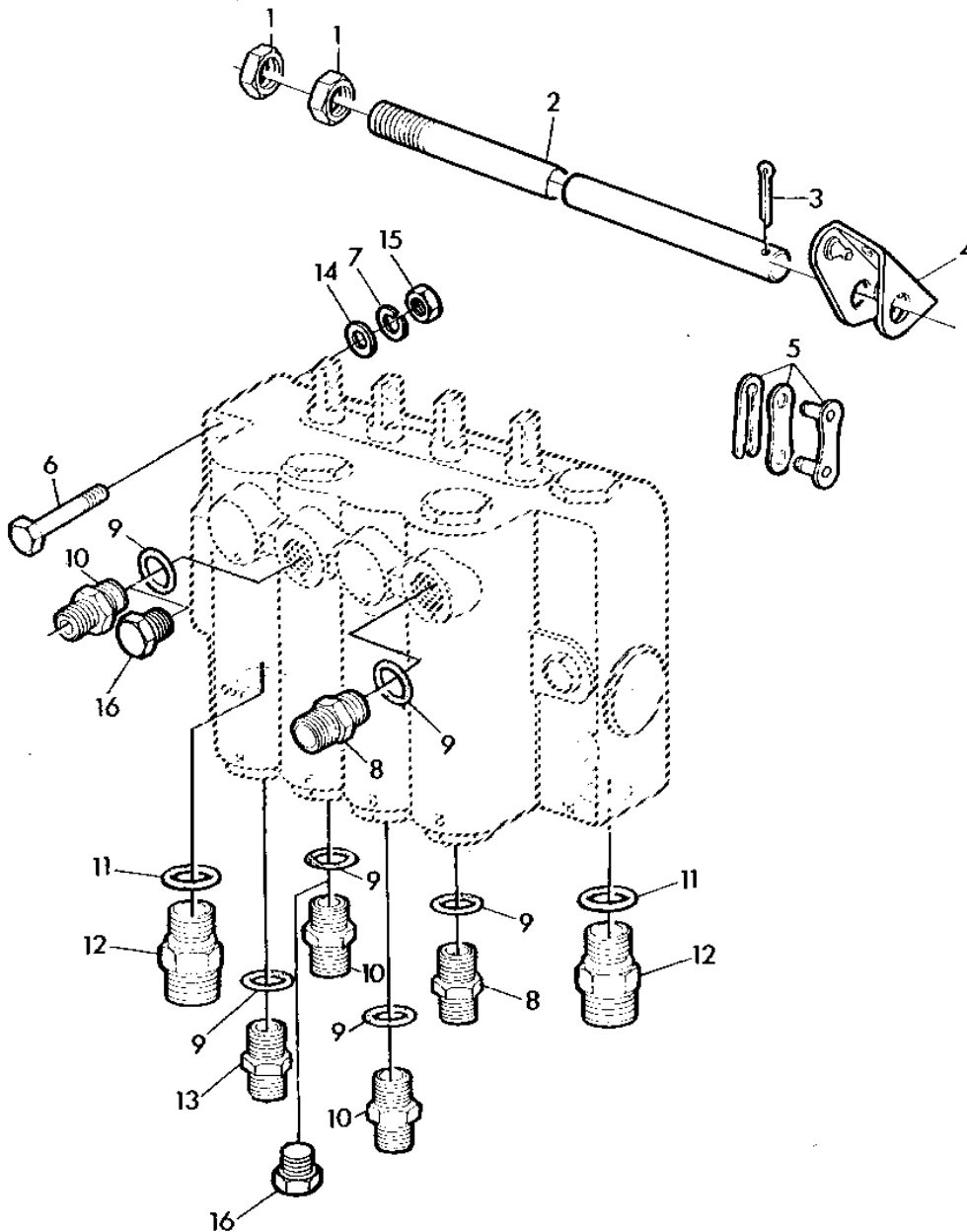
KEY	PART NO.	PART NAME	QTY	SERIAL NO.	4 4 4 3 4 5 3 H 5 Y	REMARKS
1	Z43508	PISTON	1		X X	
2	R27166	O-RING	4		X X	(KIT AZ24156)
3	AZ17996	VALVE SEAT INSERT	4		X X	
4	AN30940	POPPET	3		X X	
5	N111493	SPRING	3		X X	
6	AZ33505	ADAPTER	4		X X	
7	T13119	O-RING	4		X X	(KIT AZ24156)
8	H35230	BACK-UP RING	4		X X	(KIT AZ24156)
9	Z32156	ORIFICE	1		X X	I.D. = 0,8MM (0.032")
10	Z51576	PLUNGER	1		X X	I.D. = 0,5MM (0.02")
11	Z42511	ORIFICE	1		X X	I.D. = 1,7MM (0.067")
12	AH80223	POPPET	1		X X	(KIT AZ24156)
13	H84537	GUIDE	1		X X	(KIT AZ24156)
14	Z47978	COMPRESSION SPRING	1		X X	
15	Z48236	RESTRICTOR	1		X X	
16	Z43510	PISTON	1		X X	

2G18

HYDRAULIC SYSTEM

Z111469 -UN-01JAN94

MAIN CONTROL VALVE FITTINGS



Z111469

2G19

HYDRAULIC SYSTEM

MAIN CONTROL VALVE FITTINGS - CONTINUED

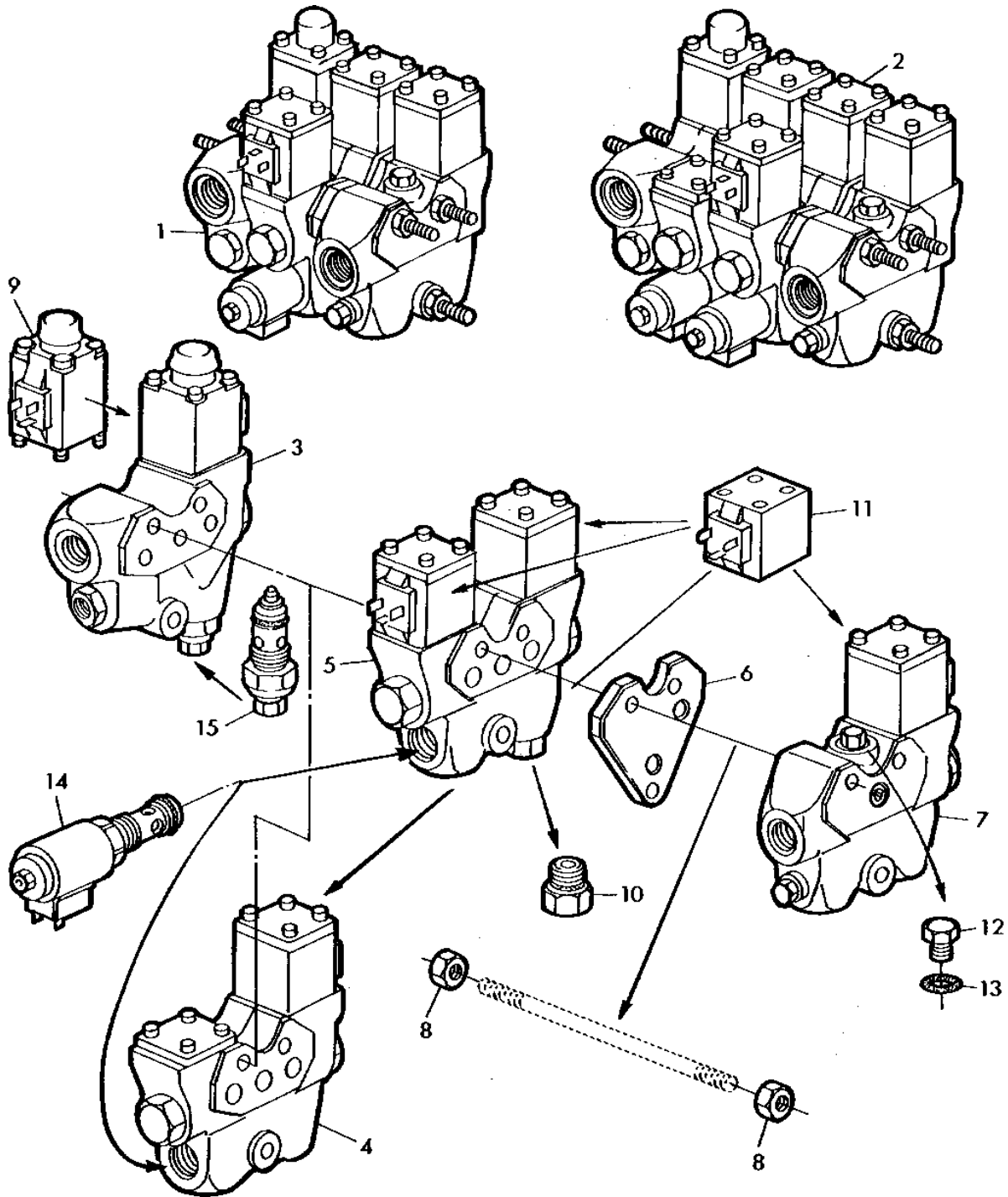
KEY	PART NO.	PART NAME	QTY	SERIAL NO.	4 4 4 3 4 5 3 H 5 Y	REMARKS
1	14M7209	NUT	2		X X	M18
2	Z35415	SHAFT	1		X X	
3	11M7024	COTTER PIN	1		X X	4 X 36 MM
4	AZ22870	ROCKER ARM	4		X X	
5	AZ23842	LINK	4		X X	
6	19M7270	CAP SCREW	2		X X	M8 X 65
7	12M7008	LOCK WASHER	2		X X	8.100 MM
8	Z32969	FITTING	2		X X	
9	R26448	O-RING	11		X X	
10	Z32963	FITTING	3		X X	
11	R26375	O-RING	2		X X	
12	Z32965	HYD. QUICK-CONNECT COUPLER	2		X X	
13	Z42193	FITTING	1		X X	
14	24M7055	WASHER	AR		X X	8.400 X 16 X 1.600 MM
15	14M7029	NUT	AR		X X	M8
16	R27218	FITTING PLUG	2		X X	

2G20

HYDRAULIC SYSTEM

Z115295 -UN-01JAN94

ELECTRO-MAGNETIC CONTROL VALVE



Z115295

2G21

HYDRAULIC SYSTEM

ELECTRO-MAGNETIC CONTROL VALVE - CONTINUED

KEY	PART NO.	PART NAME	QTY	SERIAL NO.	4 4 4 3 4 5 3 H 5 Y	REMARKS
1	AZ38355	CONTROL VALVE	1		X	
2	AZ38356	CONTROL VALVE	1		X	
3	AZ39112	VALVE	1		X X	INCL. KEYS 2 + 9
4	AZ39114	CONTROL VALVE	1		X	
5	AZ39115	CONTROL VALVE	1		X X	
6	AZ40133	PLATE	1		X X	
7	AZ39113	VALVE	1		X X	
8	14M7140	NUT	6		X X	M10
9	AZ39107	MAGNET	1		X X	
10	AZ39104	ADAPTER	1		X	
11	AZ39103	MAGNET	4		X	
	AZ39103	MAGNET	3		X	
12	R51031	FITTING	1		X X	
13	R28782	O-RING	1		X X	
14	AZ39109	VALVE	2		X	
	AZ39109	VALVE	1		X	
15	AZ41194	VALVE	1		X X	
..	AZ39102	SEAL KIT	1		X X	

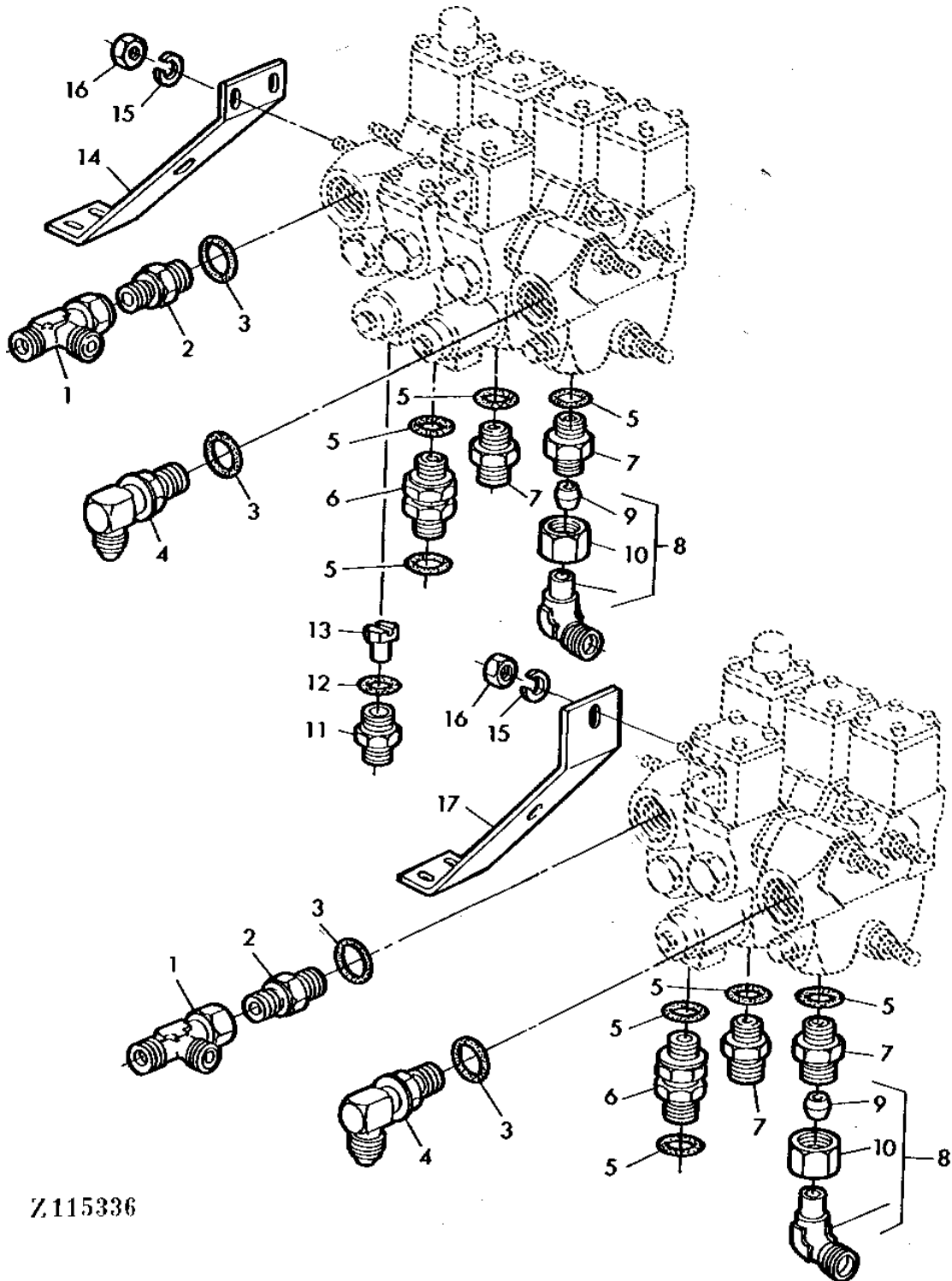
2G22

HYDRAULIC SYSTEM

Z115336

-UN-01JAN94

ELECTRO-MAGNETIC CONTROL VALVE FITTINGS



Z115336

2G23

HYDRAULIC SYSTEM

ELECTRO-MAGNETIC CONTROL VALVE FITTINGS - CONTINUED

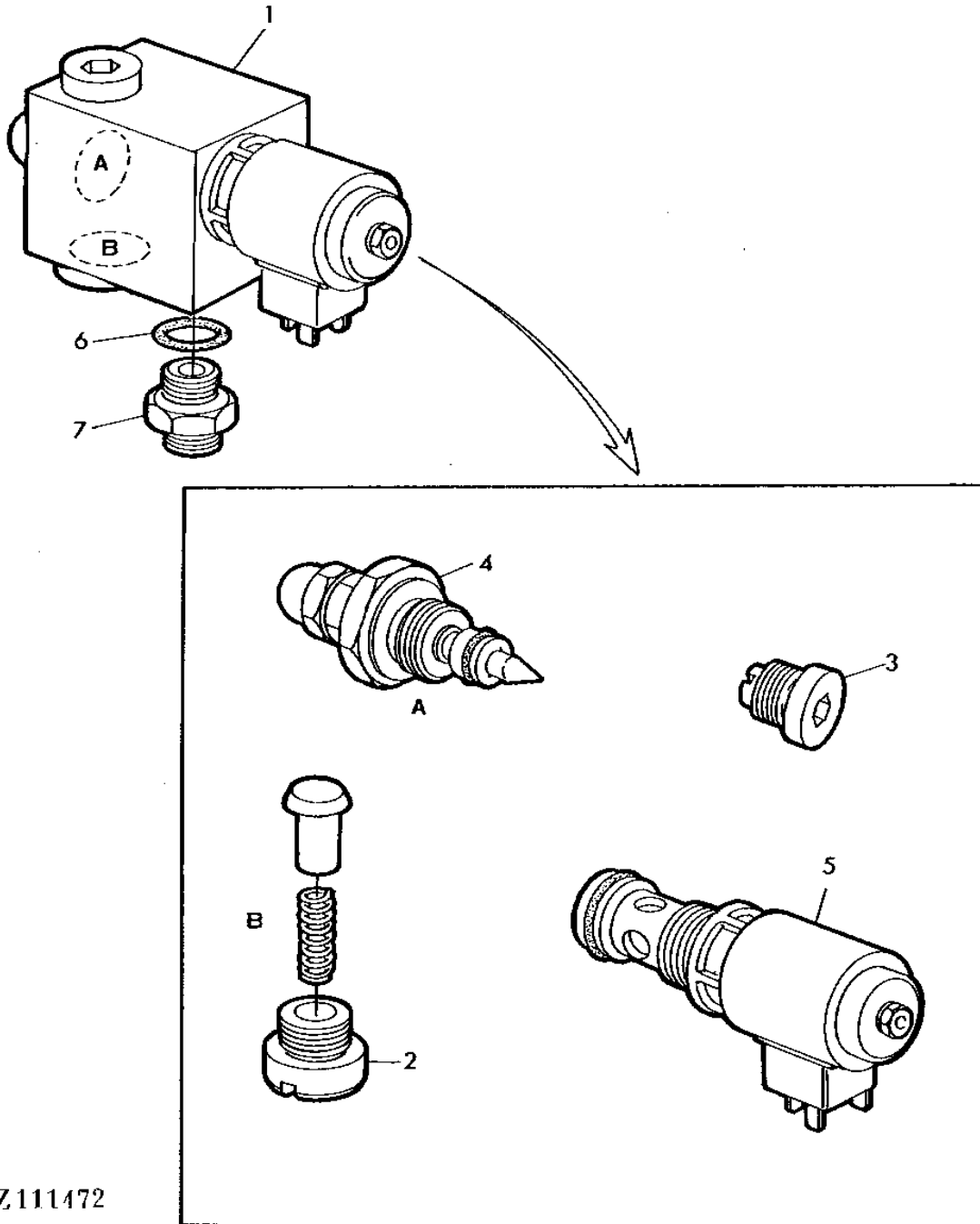
KEY	PART NO.	PART NAME	QTY	SERIAL NO.	4 4 4 3 4 5 3 H 5 Y	REMARKS
1	AZ26403	TEE FITTING	1		X X	
2	Z37461	FITTING	1		X X	
3	R26906	O-RING	AR		X X	
4	AR26724	ELBOW FITTING	1		X X	
5	R26375	O-RING	AR		X X	
6	AT23709	FITTING	1		X X	
7	Z32965	HYD. QUICK-CONNECT COUPLER	2		X X	
8	AZ22524	ELBOW FITTING	1		X X	
9	L60190	SLEEVE FITTING	AR		X X	
10	Z32971	TUBE NUT	1		X X	
11	Z45306	FITTING	1		X	
12	R26448	O-RING	1		X	
13	Z37687	ORIFICE	1		X	I.D. = 0,5MM
14	Z48087	BRACE	1		X	
15	12M7013	LOCK WASHER	1		X X	10.200 MM
16	14M7040	NUT	1		X X	M10
17	Z51757	BRACE	1		X	

2G24

HYDRAULIC SYSTEM

Z111472 -UN-01JAN94

ELECTRIC ORIFICE FOR ELECTRO-MAGNETIC CONTROL VALVE



2G25

HYDRAULIC SYSTEM

ELECTRIC ORIFICE FOR ELECTRO-MAGNETIC CONTROL VALVE - CONTINUED

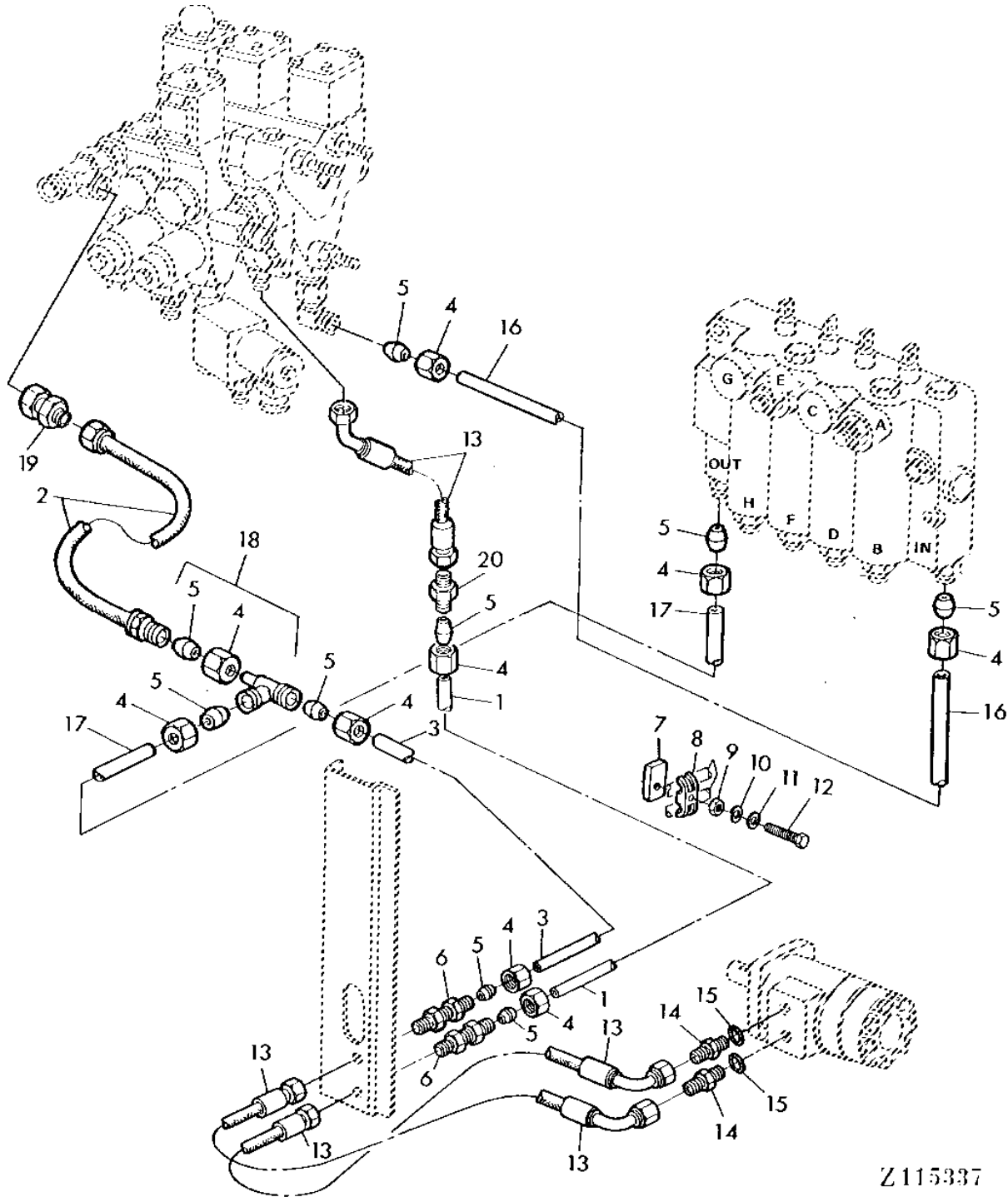
KEY	PART NO.	PART NAME	QTY	SERIAL NO.	4 4 4 3 4 5 3 H 5 Y	REMARKS
1	AZ38354	RESTRICTOR	1		X X	
2	AZ39106	CHECK VALVE	1		X X	
3	AZ39105	ORIFICE	1		X X	
4	AZ39108	RESTRICTOR	1		X X	
5	AZ39109	VALVE	1		X X	
6	R26375	O-RING	1		X X	
7	Z32965	HYD. QUICK-CONNECT COUPLER	1		X X	
..	AZ39102	SEAL KIT	1		X X	

2H1

HYDRAULIC SYSTEM

Z115337 -UN-01JAN94

REVERSE DRIVE HYDRAULIC LINES



Z115337

2H2

HYDRAULIC SYSTEM

REVERSE DRIVE HYDRAULIC LINES - CONTINUED

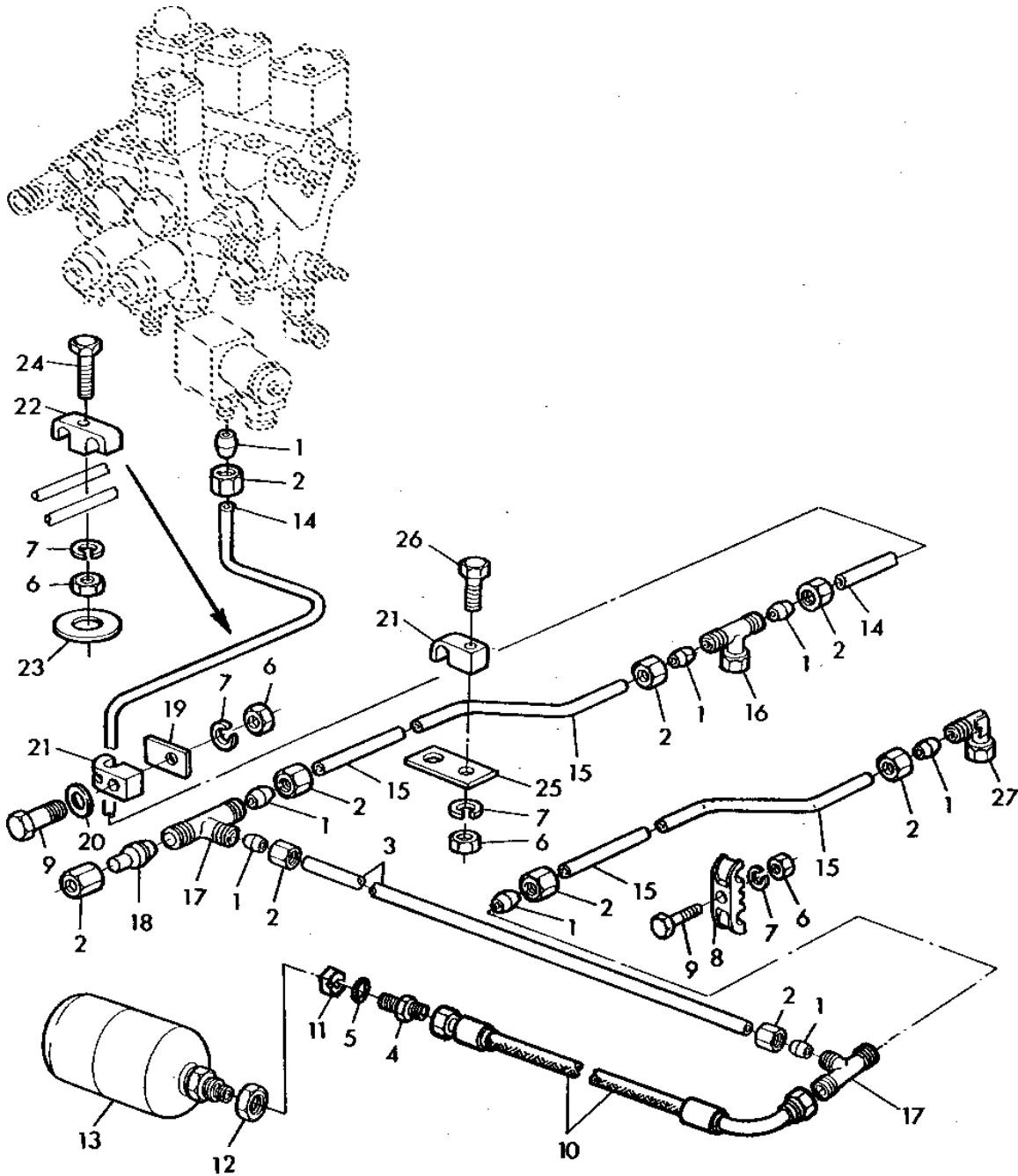
KEY	PART NO.	PART NAME	QTY	SERIAL NO.	4 4 4 3 4 5 3 H 5 Y	REMARKS
1	AZ40610	OIL LINE	2		X X	INCL.KEYS 4,5
2	AZ40612	HYDRAULIC HOSE	1		X X	
3	AZ38389	OIL LINE	2		X X	INCL.KEYS 4,5
4	Z32971	TUBE NUT	AR		X X	
5	L60190	SLEEVE FITTING	AR		X X	
6	Z32980	FITTING	2		X X	
7	Z30667	PLATE	AR		X X	
8	Z44220	CLAMP	AR		X X	
9	14M7027	NUT	AR		X X	M6
10	12M7012	LOCK WASHER	AR		X X	6.100 MM
11	24M7100	WASHER	AR		X X	6.600 X 22 X 2 MM
12	19M7374	CAP SCREW	AR		X X	M6 X 40
13	AZ34482	HYDRAULIC HOSE	2		X X	
14	Z33619	ADAPTER	2		X X	
15	R26906	O-RING	2		X X	
16	AZ42012	OIL LINE	1		X X	INCL. KEYS 4,5
17	AZ38382	OIL LINE	1		X X	INCL. KEYS 4,5
18	AZ22845	FITTING	1		X X	
19	AZ26660	UNION FITTING	1		X X	
20	Z32961	FITTING	1		X X	

2H3

HYDRAULIC SYSTEM

Z118222 -UN-01JAN94

HYDRAULIC LINES AND ACCUMULATOR



Z118222

2H4

HYDRAULIC SYSTEM

HYDRAULIC LINES AND ACCUMULATOR - CONTINUED

KEY	PART NO.	PART NAME	QTY	SERIAL NO.	4 4 4 3 4 5 3 H 5 Y	REMARKS
1	L60190	SLEEVE FITTING	AR		X X	
2	Z32971	TUBE NUT	AR		X X	
3	AZ41840	LINE	1		X X	INCL. KEYS 1,2
4	Z32965	HYD. QUICK-CONNECT COUPLER	1		X X	
5	R26375	O-RING	1		X X	
6	14M7027	NUT	AR		X X	M6
7	12M7012	LOCK WASHER	AR		X X	6.100 MM
8	Z30668	CLAMP	2		X X	
9	19M7374	CAP SCREW	AR		X X	M6 X 40
10	AZ41844	HYDRAULIC HOSE	1		X X	INCL. KEYS 1,2
11	Z54001	HYDRAULIC RESTRICTOR	1		X X	
12	CC19416	NUT	1		X X	
13	AZ41843	HYDROSTATIC RESERVOIR	1		X X	
14	AZ42010	OIL LINE	1		X X	INCL. KEYS 1,2
15	AZ38386	OIL LINE	2		X X	INCL. KEYS 1,2
16	AZ25484	TEE FITTING	1		X X	
17	Z32985	TEE FITTING	2		X X	
18	Z42782	PLUG	1		X X	
19	Z30667	PLATE	2		X X	
20	24M7100	WASHER	2		X X	6.600 X 22 X 2 MM
21	Z34952	CLAMP	2		X X	
22	Z44220	CLAMP	1		X X	
23	E10079	WASHER	1		X X	
24	19M7547	CAP SCREW	AR		X X	M6 X 55
25	Z34957	HOLDER	1		X X	
26	19M7160	CAP SCREW	1		X X	M6 X 30
27	AZ22524	ELBOW FITTING	1		X X	

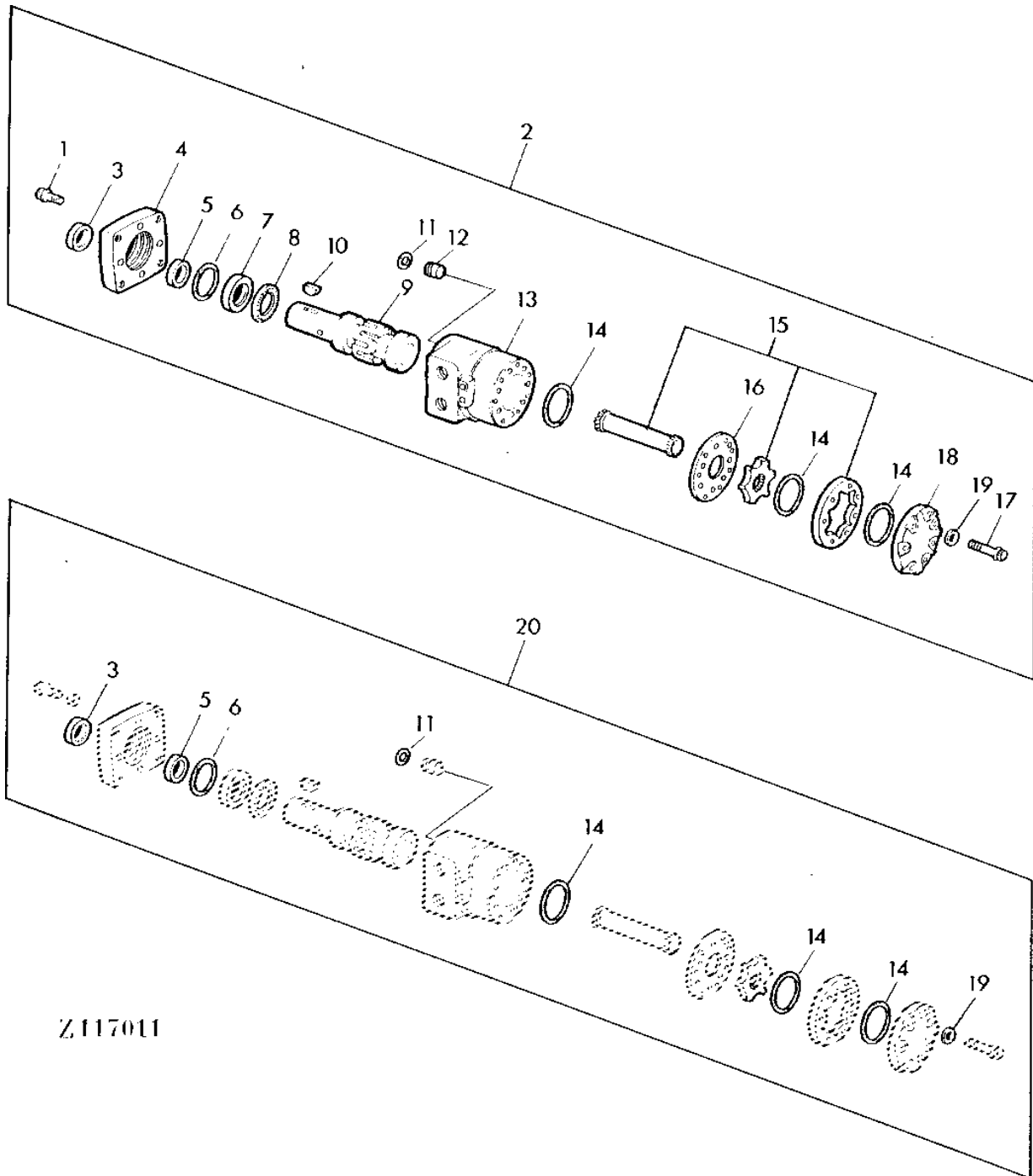
2H5

HYDRAULIC SYSTEM

Z117011

-UN-01JAN94

REVERSE DRIVE HYDRAULIC MOTOR



Z117011

2H6

HYDRAULIC SYSTEM

REVERSE DRIVE HYDRAULIC MOTOR - CONTINUED

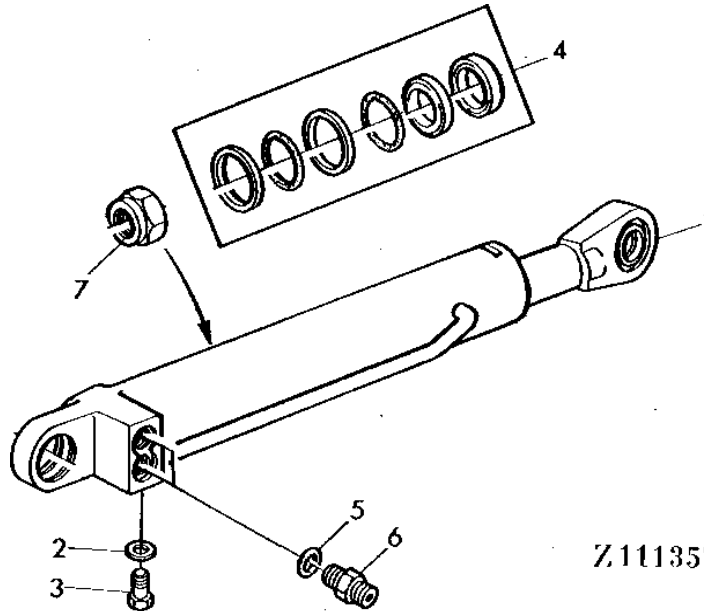
KEY	PART NO.	PART NAME	QTY	SERIAL NO.	4 4 4 3 4 5 3 H 5 Y	REMARKS
1	N132503	BOLT	4		X X	
2	AE48173	MOTOR	1		X X	
3	N170849	SEAL	1		X X	
4	N196945	FLANGE	1		X X	
5	SEAL	1		X X	KIT AT130068
6	RING	1		X X	KIT AT130068
7	N170873	BEARING RACE	1		X X	
8	N170871	THRUST BEARING	1		X X	
9	N170840	SHAFT	1		X X	
10	26H22	SHAFT KEY	1		X X	1/4" X 1"
11	T77814	O-RING	1		X X	
12	T124313	PLUG	1		X X	
13	SEAL	1		X X	KIT AT130068
14	O-RING	3		X X	KIT AT130068
15	AE48174	KIT	1		X X	
16	N170837	PLATE	1		X X	
17	E58090	BOLT	7		X X	
18	N170836	CAP	1		X X	
19	WASHER	7		X X	KIT AT130068
20	AT130068	SEAL KIT	1		X X	

2H7

HYDRAULIC SYSTEM

Z111357 -UN-01JAN94

HYDRAULIC SWING UNLOADING AUGER CYLINDER



Z111357

4
4
4 3
4 5
3 H
5 Y

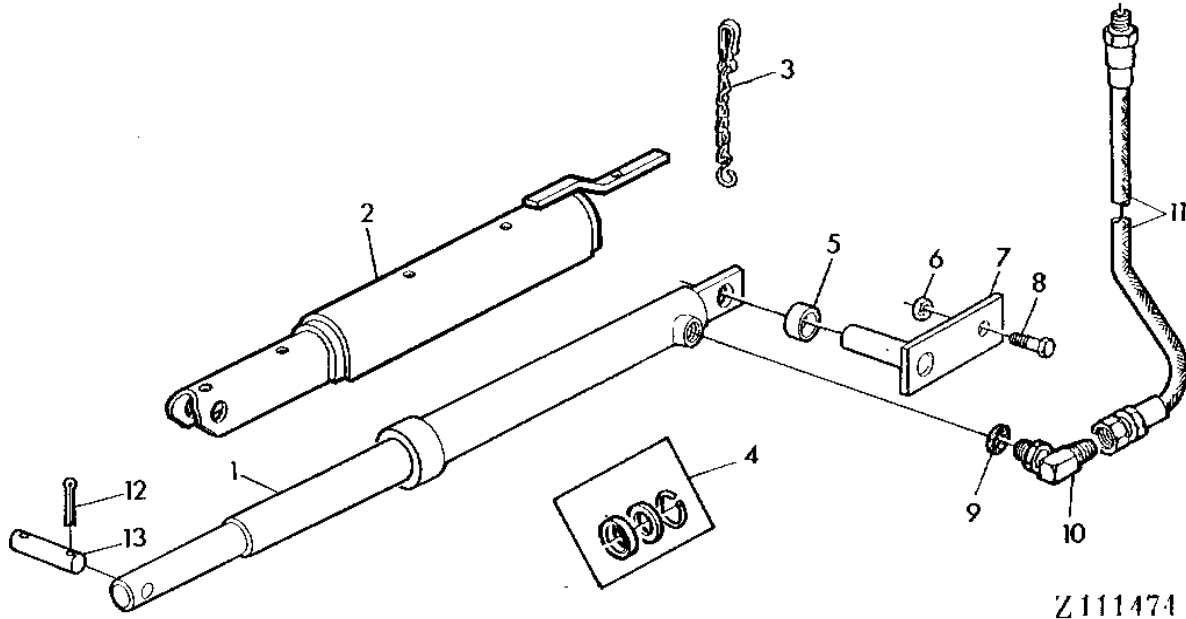
KEY	PART NO.	PART NAME	QTY	SERIAL NO.	REMARKS
1	AZ38293	HYDRAULIC CYLINDER	1	X X	
2	H35247	WASHER	1	X X	
3	H35248	SCREW	1	X X	
4	AZ37814	SEAL KIT	1	X X	INCL. KEY 2
5	R26448	O-RING	2	X X	
6	Z32969	FITTING	2	X X	
7	Z47518	LOCK NUT	1	X X	

2H8

HYDRAULIC SYSTEM

Z111474 -UN-01JAN94

HEADER LIFT HYDRAULIC CYLINDER



Z111474

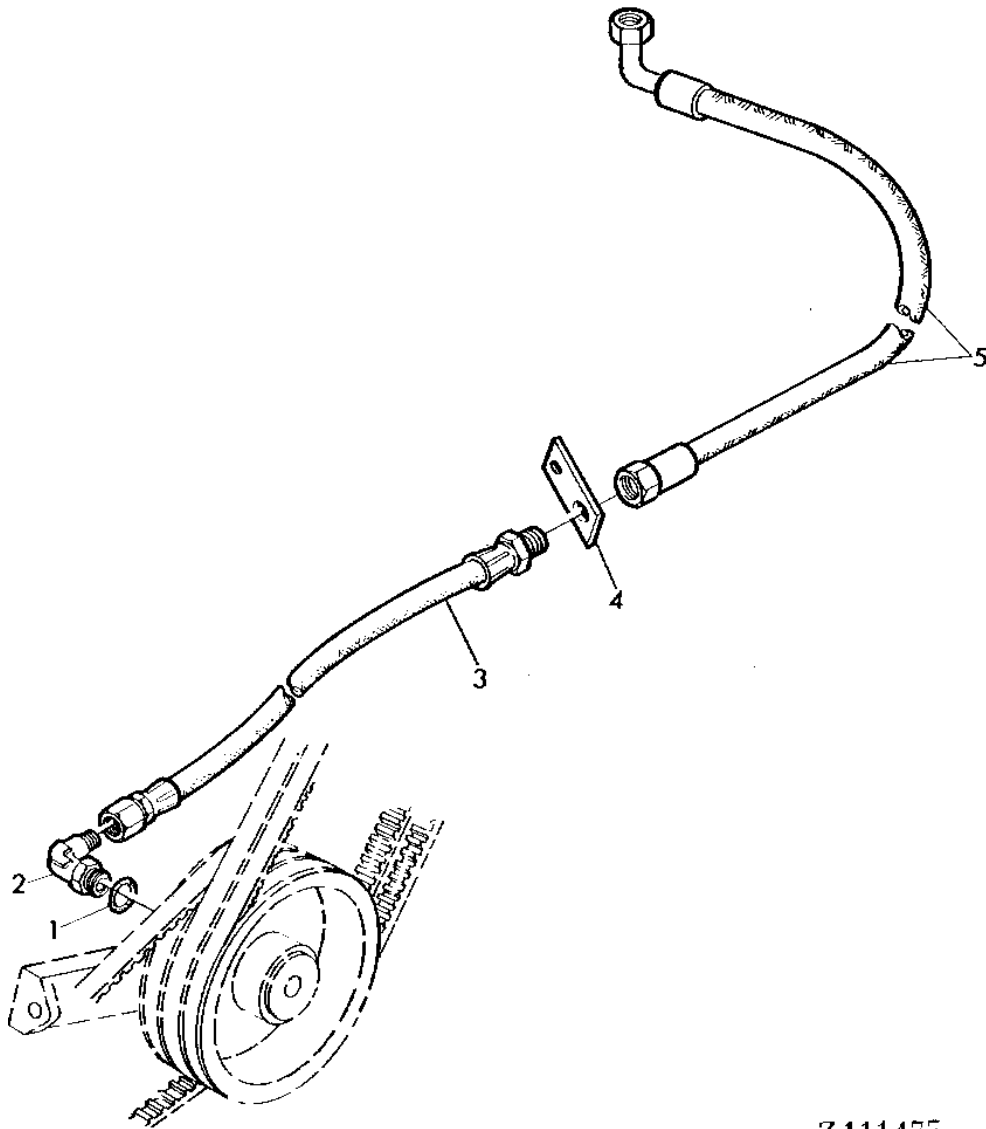
KEY	PART NO.	PART NAME	QTY	SERIAL NO.	REMARKS
				4	
				4	
				4 3	
				4 5	
				3 H	
				5 Y	
1	AZ37511	HYDRAULIC CYLINDER	2	X X	O.D. = 57 MM
	AZ37525	HYDRAULIC CYLINDER	2	X X	O.D. = 44 MM
2	AZ29900	GUARD	1	X X	
3	AZ35224	LINK CHAIN	1	X X	
4	AZ37849	GASKET KIT	1	X X	(FOR AZ37511)
	AZ42325	GASKET KIT	1	X X	(FOR AZ37525)
5	Z40104	SPACER	4	X X	(AS REQUIRED)
6	14M7167	LOCK NUT	2	X X	M10
7	AZ29898	HOLDER	2	X X	
8	19M7168	CAP SCREW	2	X X	M10 X 30
9	R26375	O-RING	2	X X	
10	AT32332	ELBOW FITTING	2	X X	
11	AZ29901	HYDRAULIC HOSE	2	X X	
12	11M7028	COTTER PIN	4	X X	5 X 32 MM
13	45M7023	PIN	2	X X	22 X 90 MM

2H9

HYDRAULIC SYSTEM

Z111477 -UN-01JAN94

GROUND DRIVE HYDRAULIC LINES



Z111477

2H10

HYDRAULIC SYSTEM

GROUND DRIVE HYDRAULIC LINES - CONTINUED

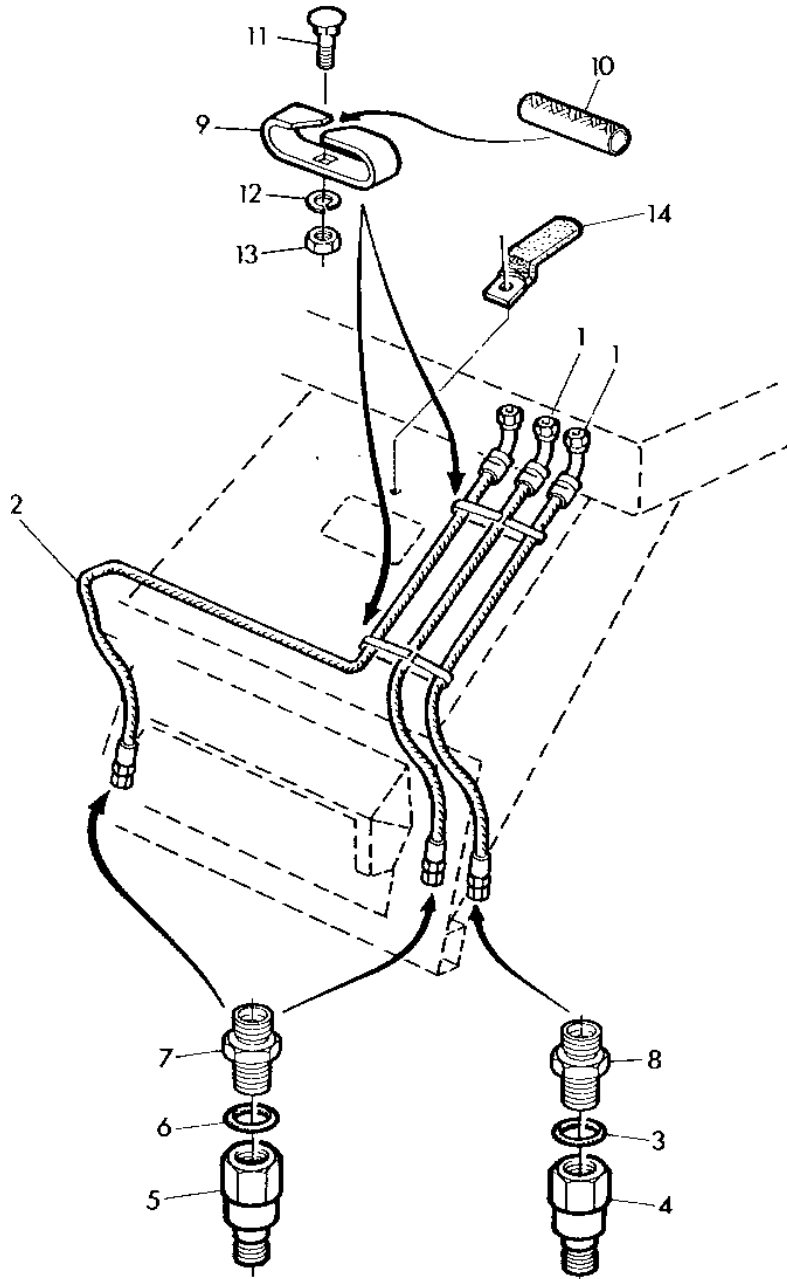
KEY	PART NO.	PART NAME	QTY	SERIAL NO.	4 4 4 3 4 5 3 H 5 Y	REMARKS
1	R28782	O-RING	1		X	
2	AH63565	ELBOW FITTING	1		X	
3	AZ23700	HYDRAULIC HOSE	1		X	
4	Z34959	STRAP	2		X	
5	AZ38390	HYDRAULIC HOSE	1		X	

2H11

HYDRAULIC SYSTEM

Z117012 -UN-01JAN94

REEL LIFT HYDRAULIC HOSE



Z117012

2H12

HYDRAULIC SYSTEM

REEL LIFT HYDRAULIC HOSE - CONTINUED

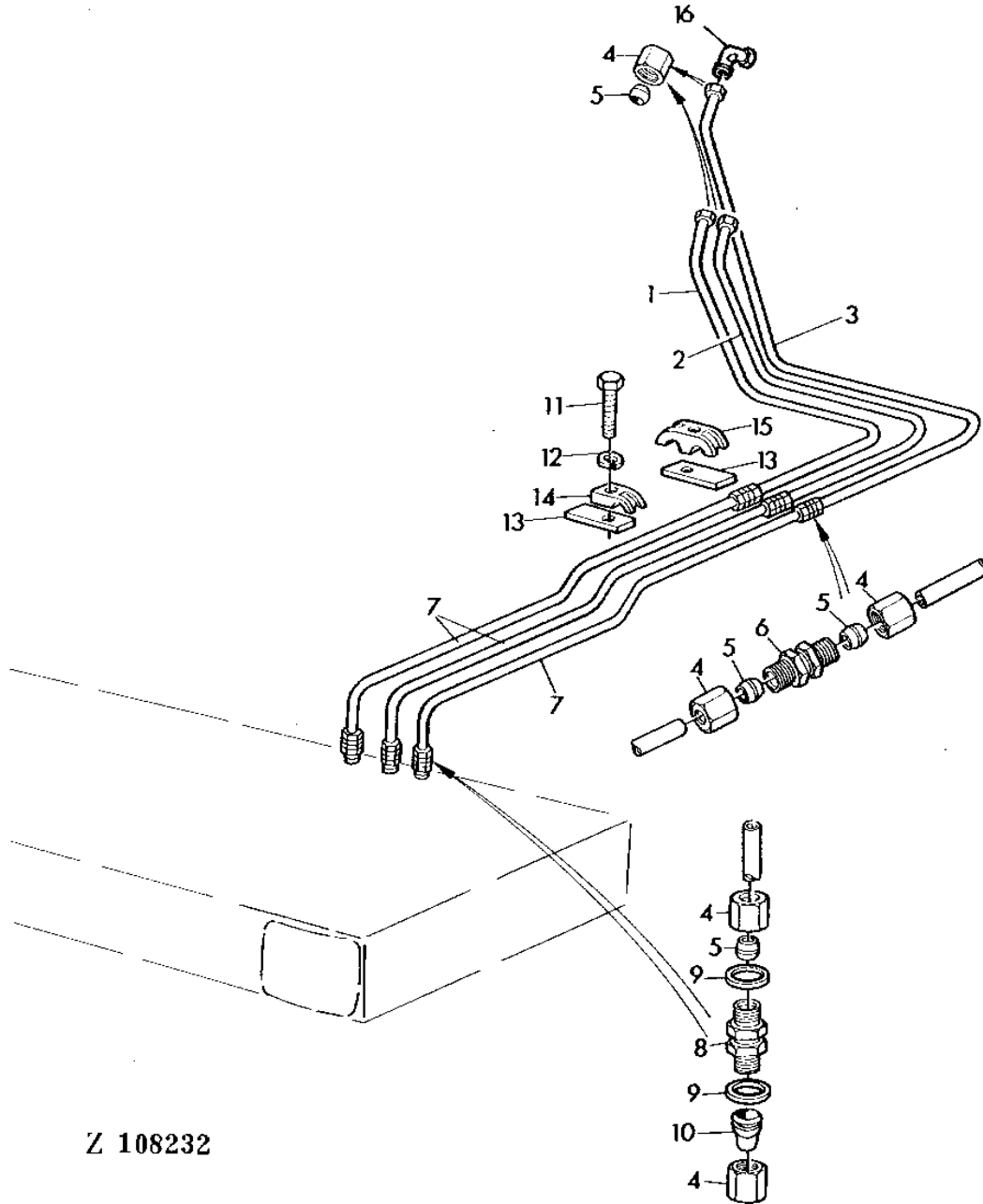
KEY	PART NO.	PART NAME	QTY	SERIAL NO.	4 4 4 3 4 5 3 H 5 Y	REMARKS
1	AZ40556	HYDRAULIC HOSE	2		X X	2500MM(98.43")LONG
2	AZ40783	HYDRAULIC HOSE	1		X X	3500MM(137.80")LONG
3	R26375	O-RING	1		X X	
4	AR94522	INTERNAL HALF COUPLER	1		X X	
5	AH116632	HYD. QUICK-CONNECT COUPLER	2		X X	
6	R26448	O-RING	2		X X	
7	Z32963	FITTING	2		X X	
8	Z51706	ADAPTER	1		X X	
9	Z44834	GUIDE	2		X X	
10	Z46387	HOSE	2		X X	
11	03M7068	BOLT	2		X X	M6 X 20
12	12M7012	LOCK WASHER	2		X X	6.100 MM
13	14M7027	NUT	2		X X	M6
14	AH78124	CLIP	1		X X	

2H13

HYDRAULIC SYSTEM

Z108232 -UN-01JAN94

HYDRAULIC LINES, REEL ADJUSTMENT



2H14

HYDRAULIC SYSTEM

HYDRAULIC LINES, REEL ADJUSTMENT - CONTINUED

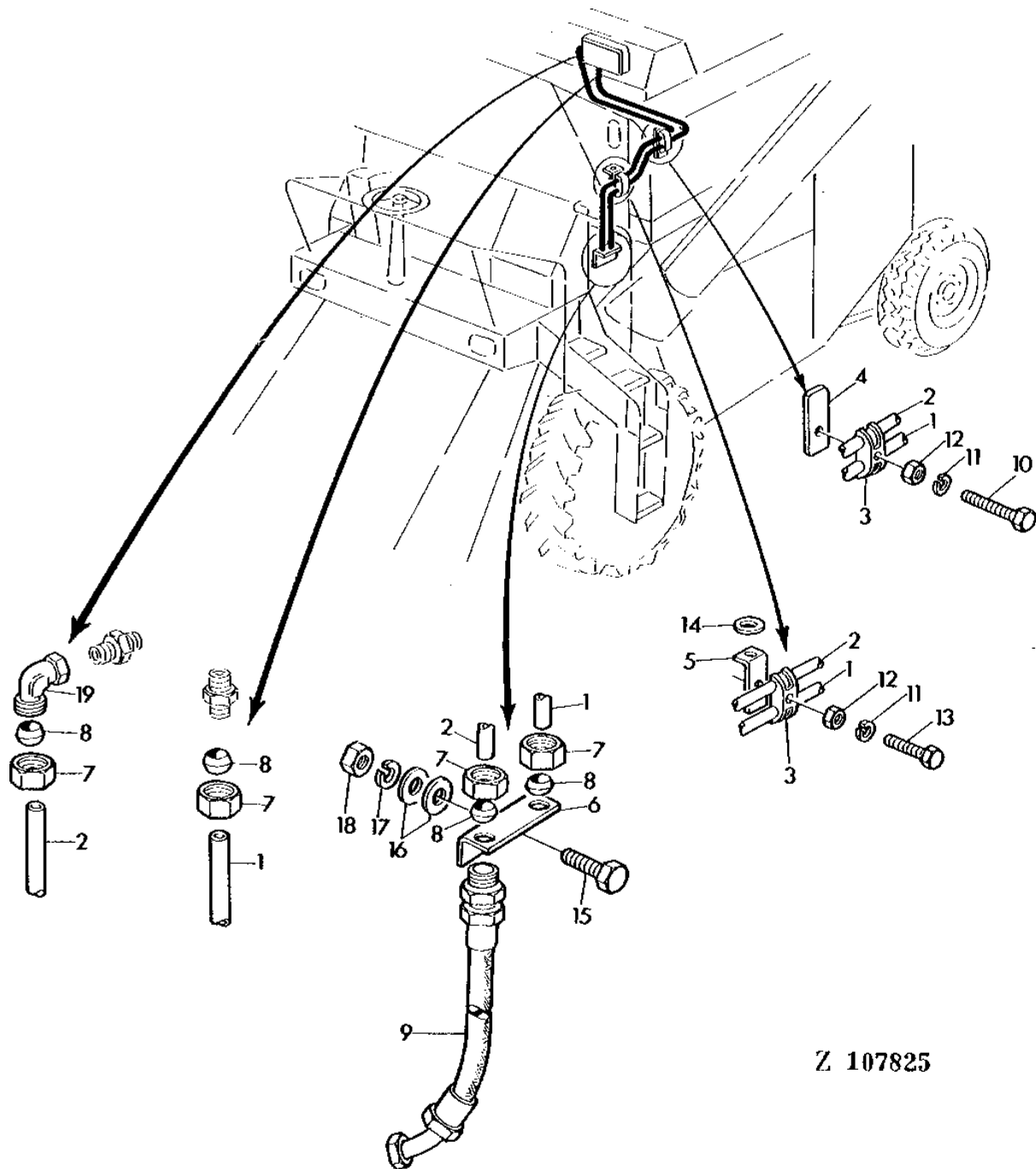
KEY	PART NO.	PART NAME	QTY	SERIAL NO.	4 4 4 3 4 5 3 H 5 Y	REMARKS
1	AZ28053	OIL LINE	1		X X	INCL. KEY 4,5
2	AZ28054	OIL LINE	1		X X	INCL. KEY 4,5
3	AZ28055	OIL LINE	1		X X	INCL. KEY 4,5
4	Z32976	TUBE NUT	12		X X	
5	L60189	SLEEVE FITTING	12		X X	
6	Z32962	FITTING	3		X X	
7	AZ23970	OIL LINE	3		X X	INCL. KEY 4,5
8	Z32977	UNION FITTING	3		X X	
9	24M7038	WASHER	2		X X	13.500 X 24 X 2.500 MM
10	Z32998	SLEEVE FITTING	2		X X	
11	19M7177	CAP SCREW	AR		X X	M6 X 35
12	12M7012	LOCK WASHER	AR		X X	6.100 MM
13	Z30667	PLATE	4		X X	
14	Z34951	CLAMP	2		X X	
15	Z34954	CLAMP	2		X X	
16	AZ21973	ELBOW FITTING	1		X X	

2H15

HYDRAULIC SYSTEM

Z107825 -UN-01JAN94

UNLOADING AUGER HYDRAULIC LINES



Z 107825

2H16

HYDRAULIC SYSTEM

UNLOADING AUGER HYDRAULIC LINES - CONTINUED

KEY	PART NO.	PART NAME	QTY	SERIAL NO.	4 4 4 3 4 5 3 H 5 Y	REMARKS
1	AZ28057	OIL LINE	1		X X	INCL.KEYS 7,8
2	AZ28058	OIL LINE	1		X X	INCL.KEYS 7,8
3	Z34953	CLAMP	2		X X	
4	Z30667	PLATE	1		X X	
5	Z32683	ANGLE	1		X X	
6	Z34956	RETAINER	1		X X	
7	Z32975	TUBE NUT	4		X X	
8	Z51241	SLEEVE FITTING	4		X X	
9	AZ38292	HYDRAULIC HOSE	2		X X	
10	19M7177	CAP SCREW	AR		X X	M6 X 35
11	12M7012	LOCK WASHER	AR		X X	6.100 MM
12	14M7027	NUT	AR		X X	M6
13	19M7077	CAP SCREW	AR		X X	M6 X 20
14	24M7036	WASHER	AR		X X	9 X 16 X 1.600 MM
15	19M7380	CAP SCREW	AR		X X	M10 X 22
16	24M7028	WASHER	AR		X X	10.500 X 20 X 2 MM
17	12M7013	LOCK WASHER	AR		X X	10.200 MM
18	14M7140	NUT	AR		X X	M10
19	AZ21972	ELBOW FITTING	1		X X	

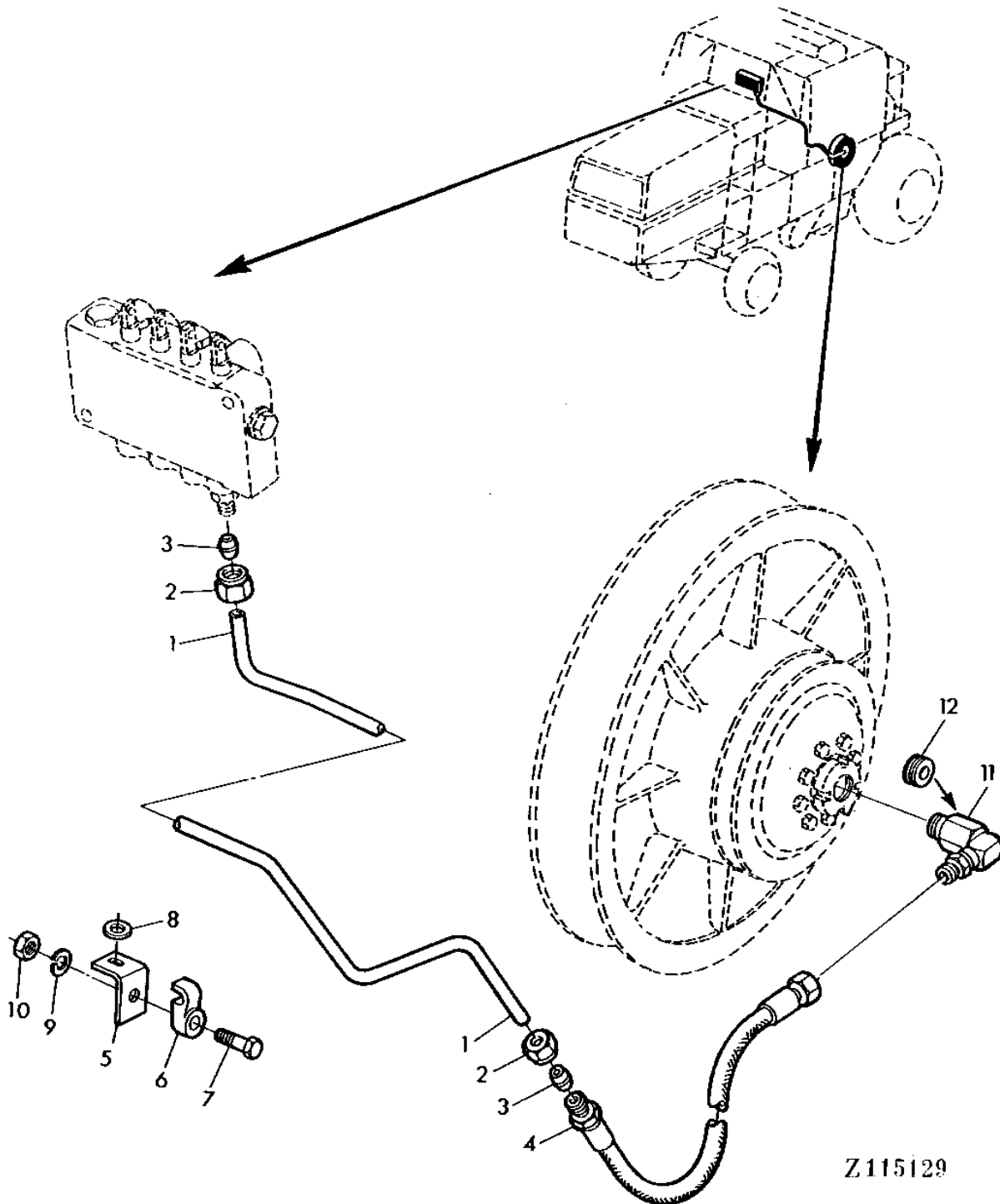
2H17

HYDRAULIC SYSTEM

Z115129

-UN-01JAN94

VARIABLE DRIVE WITH CENTER OIL SUPPLY FOR BEATER HYDRAULIC LINE



2H18

HYDRAULIC SYSTEM

VARIABLE DRIVE WITH CENTER OIL SUPPLY FOR BEATER HYDRAULIC LINE - CONTINUED

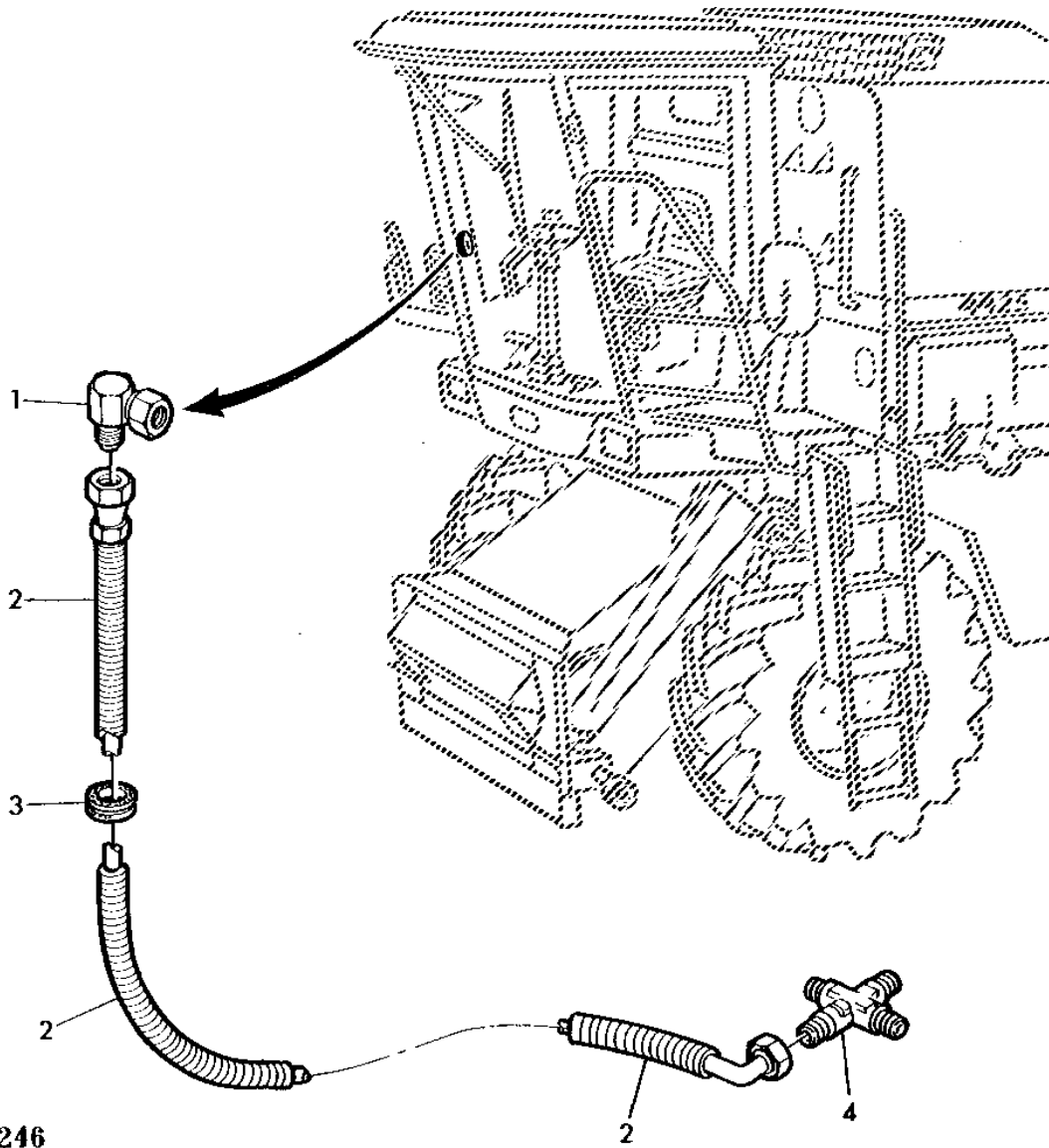
KEY	PART NO.	PART NAME	QTY	SERIAL NO.	4 4 4 3 4 5 3 H 5 Y	REMARKS
1	AZ37027	OIL LINE	1		X X	INCL.KEYS 2,3
2	Z32974	TUBE NUT	2		X X	
3	Z51240	SLEEVE FITTING	2		X X	
4	AZ16228	HYDRAULIC HOSE	1		X X	
5	Z32683	ANGLE	2		X X	
6	Z34861	CLAMP	2		X X	
7	19M7286	CAP SCREW	AR		X X	M6 X 25
8	24M7036	WASHER	AR		X X	9 X 16 X 1.600 MM
9	12M7012	LOCK WASHER	AR		X X	6.100 MM
10	14M7027	NUT	AR		X X	M6
11	AZ31666	ELBOW FITTING	1		X X	
12	AZ40347	SEAL	1		X X	

2H19

HYDRAULIC SYSTEM

Z109246 -UN-01JAN94

CUTTING PLATFORM PRESSURE INDICATOR HOSE



Z 109246

2H20

HYDRAULIC SYSTEM

CUTTING PLATFORM PRESSURE INDICATOR HOSE - CONTINUED

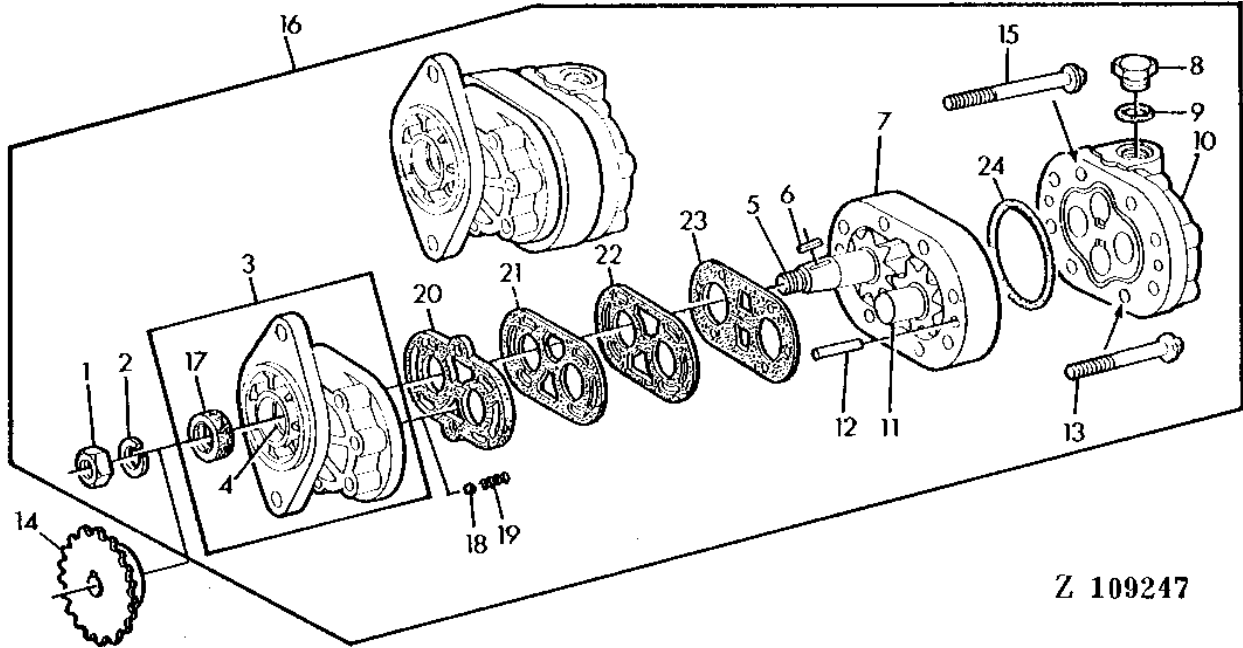
KEY	PART NO.	PART NAME	QTY	SERIAL NO.	4 4 4 3 4 5 3 H 5 Y	REMARKS
1	AZ32732	ELBOW FITTING	1		X X	
2	AZ32733	HOSE	1		X X	
3	GROMMET	1		X X	NOT SUPPLIED SEPARATELY
4	Z33631	FITTING	1		X X	

2H21

HYDRAULIC SYSTEM

Z109247 -UN-01JAN94

REEL DRIVE HYDRAULIC PUMP



Z 109247

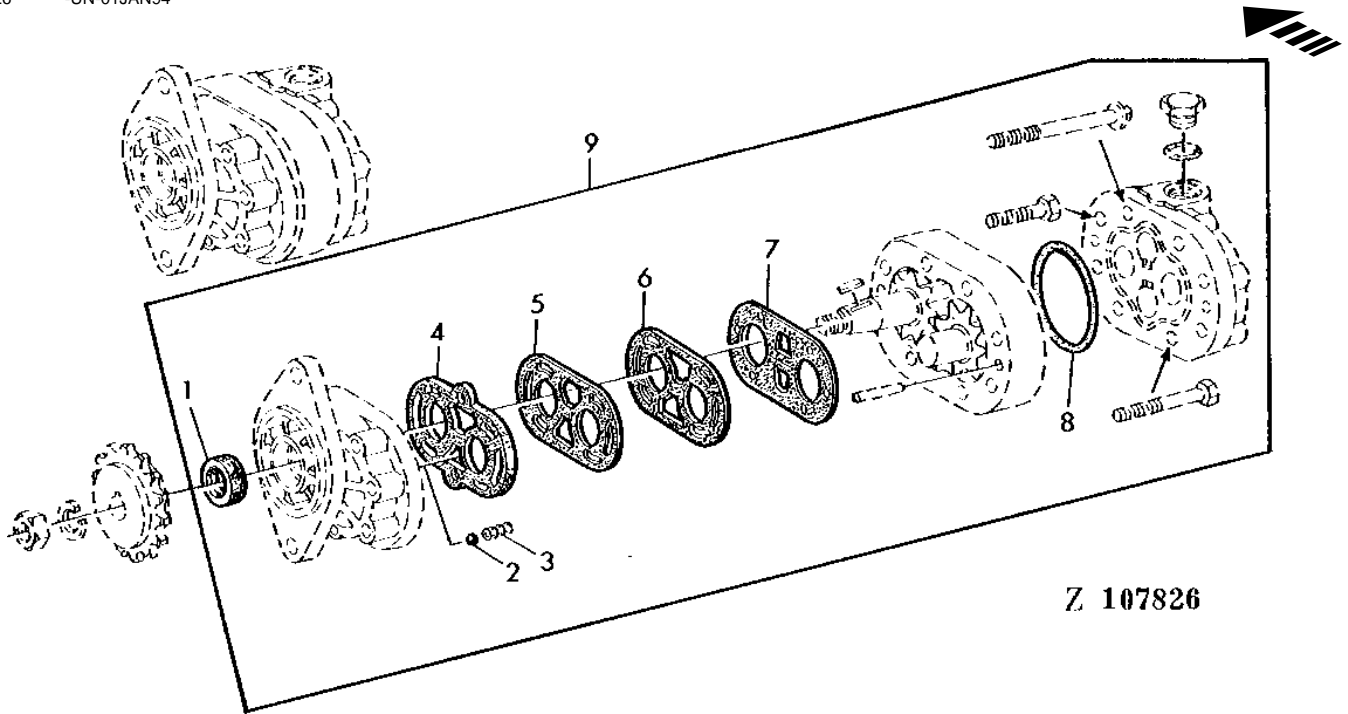
KEY	PART NO.	PART NAME	QTY	SERIAL NO.	REMARKS
				4	
				4	
				4 3	
				4 5	
				3 H	
				5 Y	
1	14H812	NUT	1	X X	3/8"
2	12M7013	LOCK WASHER	1	X X	10.200 MM
3	AT12111	HOUSING	1	X X	
4	HOUSING	1	X X	(NOT SUPPLIED SEPARATELY)(ORDER AT12111)
5	AE36861	STEERING GEAR	1	X X	
6	N34986	SHAFT KEY	1	X X	
7	H65661	HOUSING	1	X X	
8	R51031	FITTING	1	X X	(ALSO ORDER R28782)
9	R28782	O-RING	1	X X	
10	AH66645	PLATE	1	X X	
11	AH66646	GEAR	1	X X	
12	E61860	DOWEL PIN	2	X X	
13	T12966	CAP SCREW	4	X X	
14	Z44815	CHAIN SPROCKET	1	X X	Z = 19
15	H63061	BOLT	4	X X	
16	AH66400	HYDRAULIC PUMP	1	X X	
17	AH15442	SEAL	1	X X	(KIT AH66648)
18	H22694	BALL	2	X X	(KIT AH66648)
19	H22695	SPRING	2	X X	(KIT AH66648)
20	SEAL	1	X X	(KIT AH66648)
21	GASKET	1	X X	(KIT AH66648)
22	T12958	GASKET	1	X X	(KIT AH66648)
23	DIAPHRAGM	1	X X	(KIT AH66648)
24	O-RING	1	X X	(KIT AH66648)

2H22

HYDRAULIC SYSTEM

Z107826 -UN-01JAN94

GASKET SET FOR REEL DRIVE HYDRAULIC PUMP



Z 107826

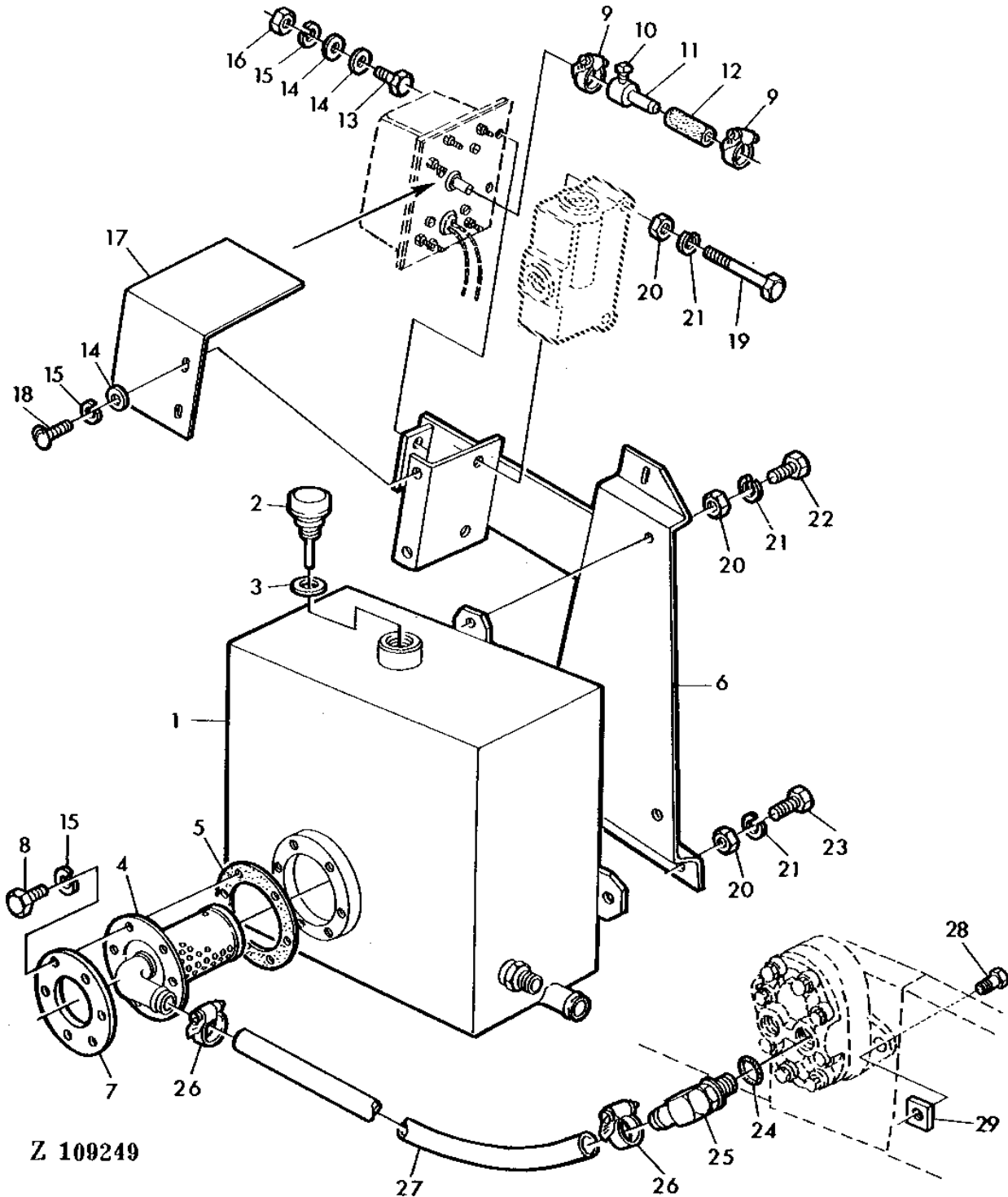
KEY	PART NO.	PART NAME	QTY	SERIAL NO.	REMARKS
				4	
				4	
				4 3	
				4 5	
				3 H	
				5 Y	
1	AH15442	SEAL	1		X X
2	H22694	BALL	2		X X
3	H22695	SPRING	2		X X
4	SEAL	1		X X
5	GASKET	1		X X
6	T12958	GASKET	1		X X
7	DIAPHRAGM	1		X X
8	O-RING	1		X X
9	AH66648	KIT	1		X X

2H23

HYDRAULIC SYSTEM

Z109249 -UN-01JAN94

REEL DRIVE FITTINGS AND HYDRAULIC RESERVOIR



Z 109249

2H24

HYDRAULIC SYSTEM

REEL DRIVE FITTINGS AND HYDRAULIC RESERVOIR - CONTINUED

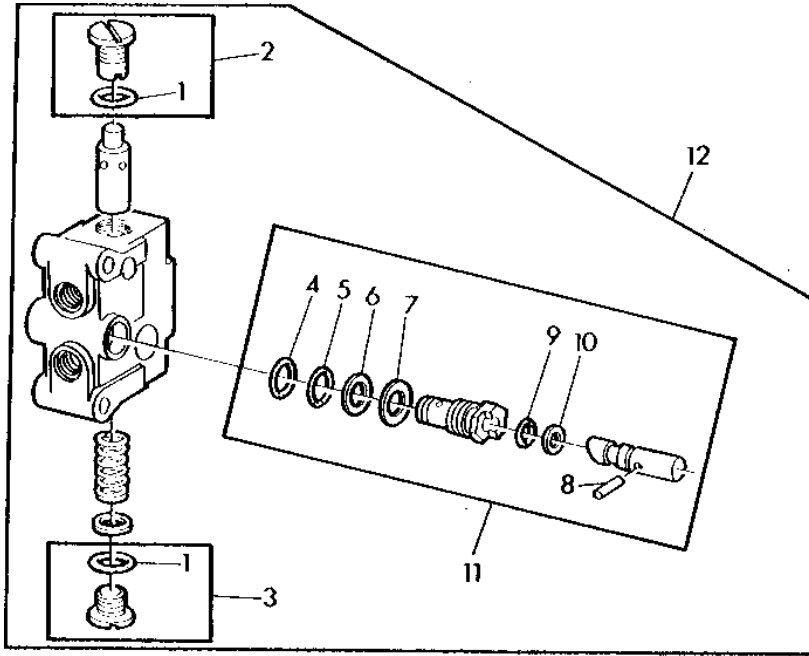
KEY	PART NO.	PART NAME	QTY	SERIAL NO.	4 4 4 3 4 5 3 H 5 Y	REMARKS
1	AZ32229	HYDRAULIC RESERVOIR	1		X X	
2	AL17552	BREATHER	1		X X	
3	51M4247	RING	1		X X	30,300 X 35,900 X 2MM
4	AZ25027	FILTER	1		X X	
5	Z26828	GASKET	1		X X	
6	AZ30096	SUPPORT	1		X X	
7	Z26827	WASHER	1		X X	
8	19M7077	CAP SCREW	AR		X X	M6 X 20
9	AR21836	CLAMP	2		X X	
10	22H906	SET SCREW	1		X X	1/4" X 1/2"
11	H97941	ADAPTER	1		X X	
12	H97942	HOSE	1		X X	
13	19M7286	CAP SCREW	AR		X X	M6 X 25
14	24M7088	WASHER	AR		X X	6.600 X 12 X 1.600 MM
15	12M7012	LOCK WASHER	AR		X X	6.100 MM
16	14M7027	NUT	AR		X X	M6
17	Z41710	GUARD	1		X X	
18	21M7031	SCREW	AR		X X	M6 X 15
19	19M7270	CAP SCREW	2		X X	M8 X 65
20	14M7029	NUT	AR		X X	M8
21	12M7008	LOCK WASHER	AR		X X	8.100 MM
22	19M7139	CAP SCREW	AR		X X	M8 X 20
23	19M7163	CAP SCREW	AR		X X	M8 X 25
24	U12547	O-RING	1		X X	
25	AR68999	ELBOW FITTING	1		X X	
26	Z26822	CLAMP	2		X X	
27	Z36049	HOSE	1		X X	
28	19M7168	CAP SCREW	2		X X	M10 X 30
29	Z26792	NUT	2		X X	

2H25

HYDRAULIC SYSTEM

Z107829 -UN-01JAN94

HYDROSTATIC REEL DRIVE FLOW CONTROL VALVE



Z 107829

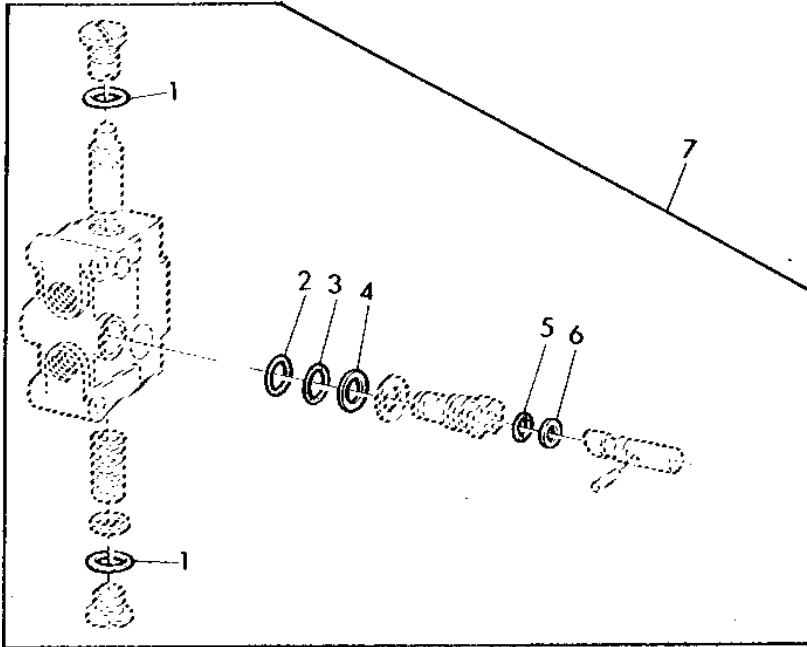
KEY	PART NO.	PART NAME	QTY	SERIAL NO.	REMARKS
				4	
				4	
				4 3	
				4 5	
				3 H	
				5 Y	
1	H63289	O-RING	2	X X	KIT AH81167
2	AH81165	PLUG	1	X X	
3	AH78760	DRAIN PLUG	1	X X	
4	R28776	O-RING	1	X X	KIT AH81167
5	R375R	O-RING	1	X X	KIT AH81167
6	H63357	BACK-UP RING	1	X X	KIT AH81167
7	H80404	SHIM	1	X X	
8	H101370	GROOVE PIN	1	X X	
9	P51212	O-RING	1	X X	KIT AH81167
10	T27624	BACK-UP RING	1	X X	KIT AH81167
11	AH122354	KIT	1	X X	
12	AH122371	CHECK VALVE	1	X X	

211

HYDRAULIC SYSTEM

Z107830 -UN-01JAN94

HYDROSTATIC REEL DRIVE FLOW CONTROL VALVE REPAIR KIT



Z 107830

4
4
4 3
4 5
3 H
5 Y

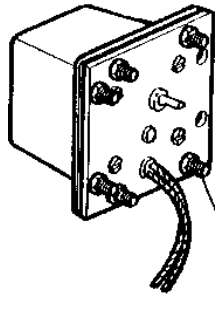
KEY	PART NO.	PART NAME	QTY	SERIAL NO.	REMARKS
1	H63289	O-RING	2		X X
2	R28776	O-RING	1		X X
3	R375R	O-RING	1		X X
4	H63357	BACK-UP RING	1		X X
5	P51212	O-RING	1		X X
6	T27624	BACK-UP RING	1		X X
7	AH81167	SEAL KIT	1		X X

212

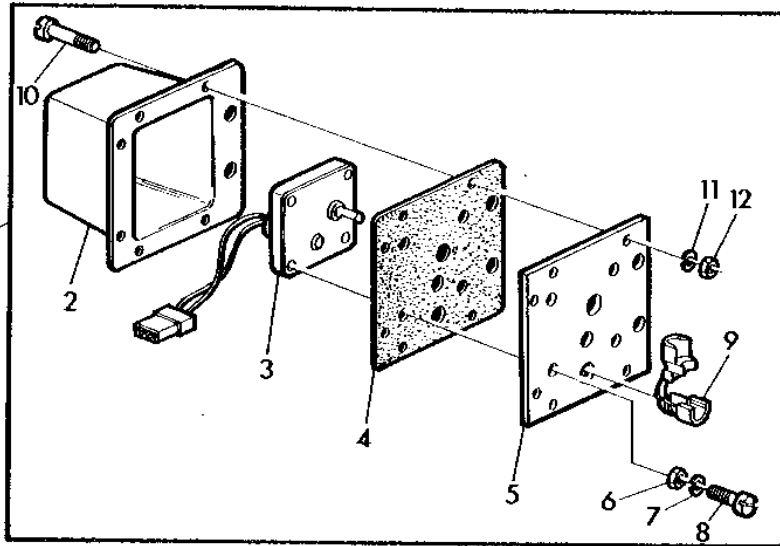
HYDRAULIC SYSTEM

Z107831 -UN-01JAN94

HYDROSTATIC REEL DRIVE MOTOR



Z 107831



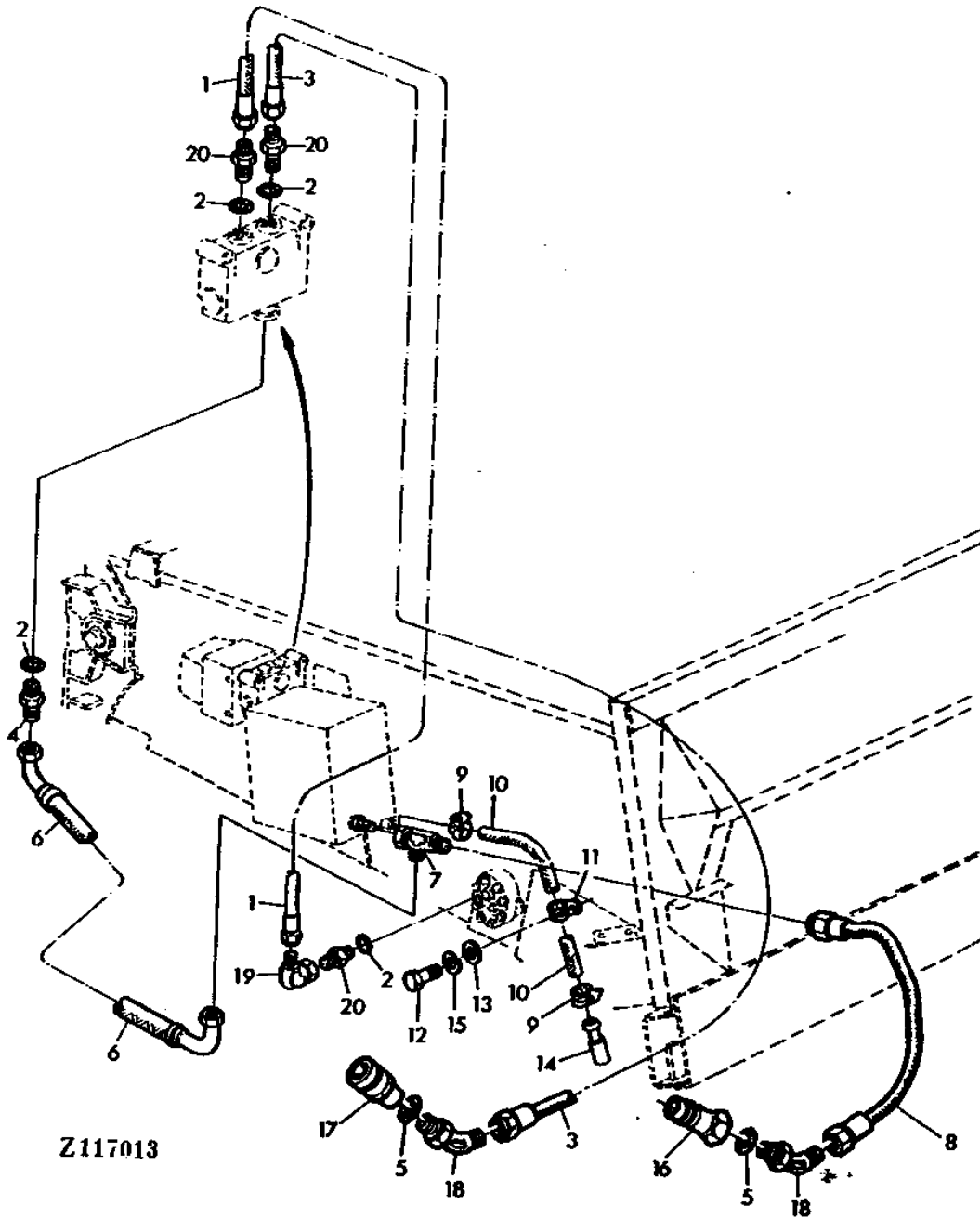
KEY	PART NO.	PART NAME	QTY	SERIAL NO.	REMARKS
				4	
				4	
				4 3	
				4 5	
				3 H	
				5 Y	
1	AH94131	ACTUATOR	1	X X	
2	H95195	COVER	1	X X	
3	AH92897	MOTOR	1	X X	
4	H95192	GASKET	1	X X	
5	H95191	PLATE	1	X X	
6	14H605	NUT	4	X X	0.164"
7	12H315	LOCK WASHER	4	X X	0.164"
8	21H1376	SCREW	4	X X	0.164" X 1-1/4"
9	H95560	GROMMET	1	X X	
10	21H1353	SCREW	6	X X	0.138" X 3/4"
11	12H314	LOCK WASHER	6	X X	0.138"
12	14H1026	NUT	6	X X	0.138"

MEMORANDA

213

Z117013 -UN-02JAN94

HYDROSTATIC REEL DRIVE, HYDRAULIC LINES AND HOSES



Z117013

214

HYDRAULIC SYSTEM

HYDROSTATIC REEL DRIVE, HYDRAULIC LINES AND HOSES - CONTINUED

KEY	PART NO.	PART NAME	QTY	SERIAL NO.	4 4 4 3 4 5 3 H 5 Y	REMARKS
1	AZ36655	HYDRAULIC HOSE	1		X X	
2	R26906	O-RING	4		X X	
3	AZ40553	HYDRAULIC HOSE	1		X X	
4	Z37461	FITTING	1		X X	
5	R26375	O-RING	2		X X	
6	AZ36966	OIL LINE	1		X X	
7	AZ26403	TEE FITTING	1		X X	
8	AZ40554	HYDRAULIC HOSE	1		X X	
9	Z26822	CLAMP	2		X X	
10	Z46100	HOSE	1		X X	I.D. = 17MM X 500MM (0.67" I.D. X 19.69") LONG
11	AH77924	CLIP	1		X X	
12	19M3128	CAP SCREW	1		X X	M8 X 18
13	24M7036	WASHER	1		X X	9 X 16 X 1.600 MM
14	Z44819	PIPE PLUG	1		X X	
15	12M7008	LOCK WASHER	1		X X	8.100 MM
16	AR94522	INTERNAL HALF COUPLER	1		X X	
17	AH75167	HYD. QUICK-CONNECT COUPLER	1		X X	
18	AT35599	ELBOW FITTING	2		X X	
19	AH77612	ELBOW FITTING	1		X X	
20	R27270	FITTING	3		X X	

215

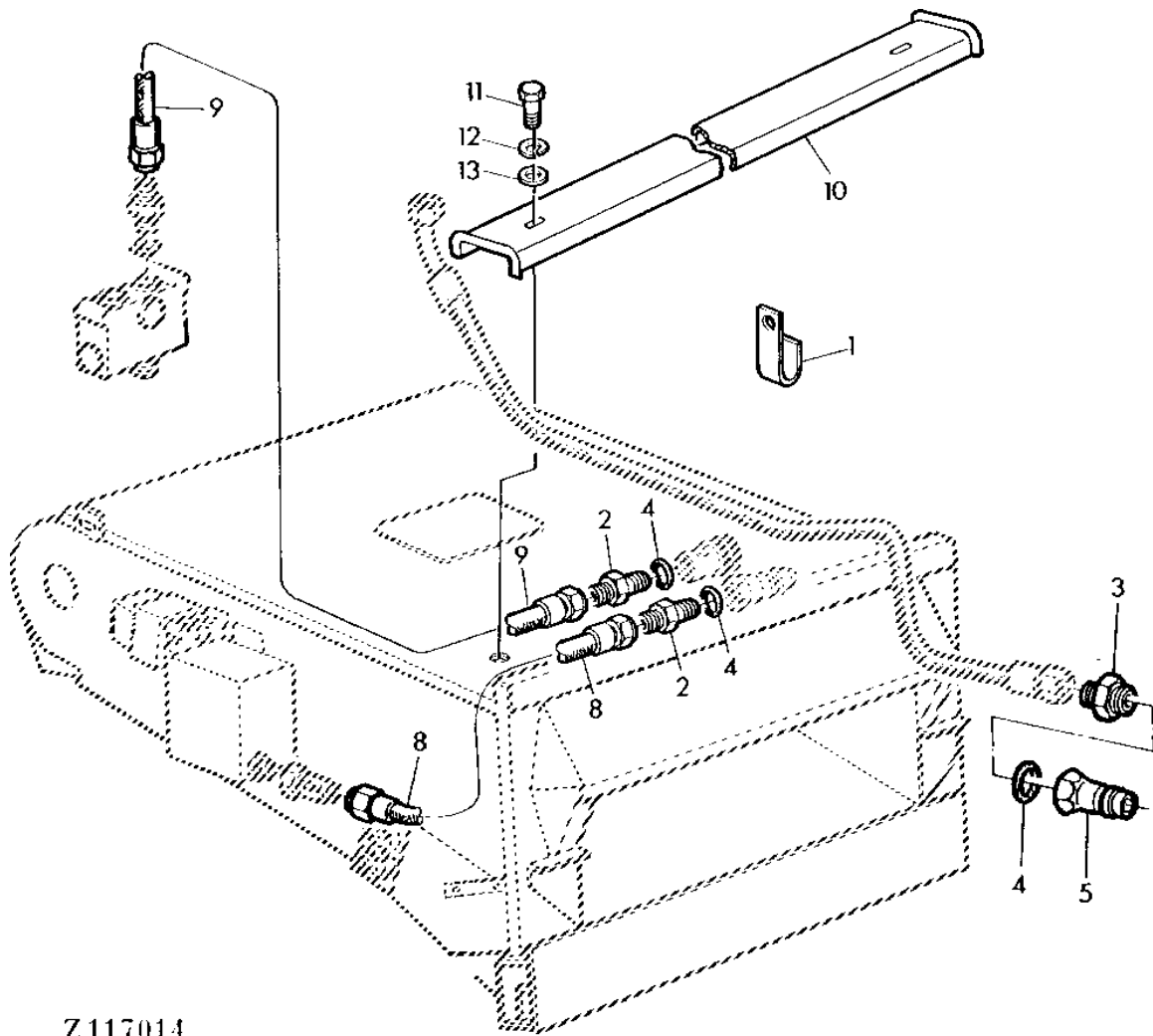
HYDRAULIC SYSTEM

Z117014

-UN-01JAN94

HYDROSTATIC REEL DRIVE - MODIFICATION PARTS FOR 200 SERIES U.S.

CUTTING PLATFORMS



Z117014

216

HYDRAULIC SYSTEM

HYDROSTATIC REEL DRIVE - MODIFICATION PARTS FOR 200 SERIES U.S. CUTTING PLATF. - CONTINUED

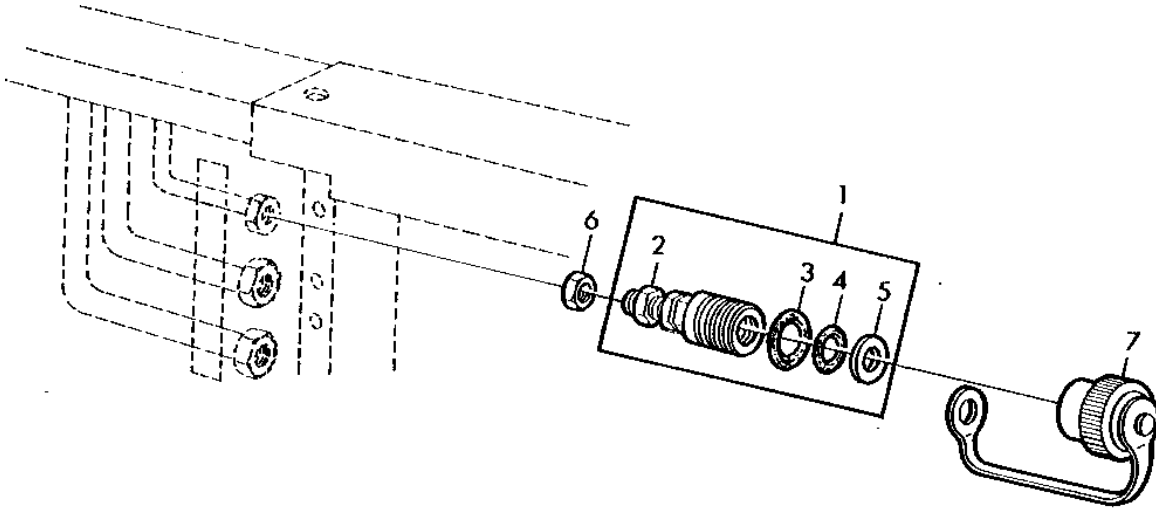
KEY	PART NO.	PART NAME	QTY	SERIAL NO.	4 4 4 3 4 5 3 H 5 Y	REMARKS
1	Z44835	HOLDER	1		X X	
2	H63597	ADAPTER	2		X X	
3	Z44839	UNION FITTING	3		X X	
4	R26375	O-RING	3		X X	
5	AH15940	HYD. QUICK-CONNECT COUPLER	2		X X	
6	AZ36966	HYDRAULIC HOSE	2		X X	
7	AZ26403	TEE FITTING	1		X X	
8	AZ35341	HYDRAULIC HOSE	1		X X	
9	AZ35342	HYDRAULIC HOSE	1		X X	
10	Z44833	SHIELD	1		X X	
11	19M7323	CAP SCREW	2		X X	M8 X 40
12	12M7008	LOCK WASHER	2		X X	8.100 MM
13	24M7036	WASHER	2		X X	9 X 16 X 1.600 MM

217

HYDRAULIC SYSTEM

Z107835 -UN-01JAN94

CUTTING PLATFORM, COUPLER



Z 107835

4
4
4 3
4 5
3 H
5 Y

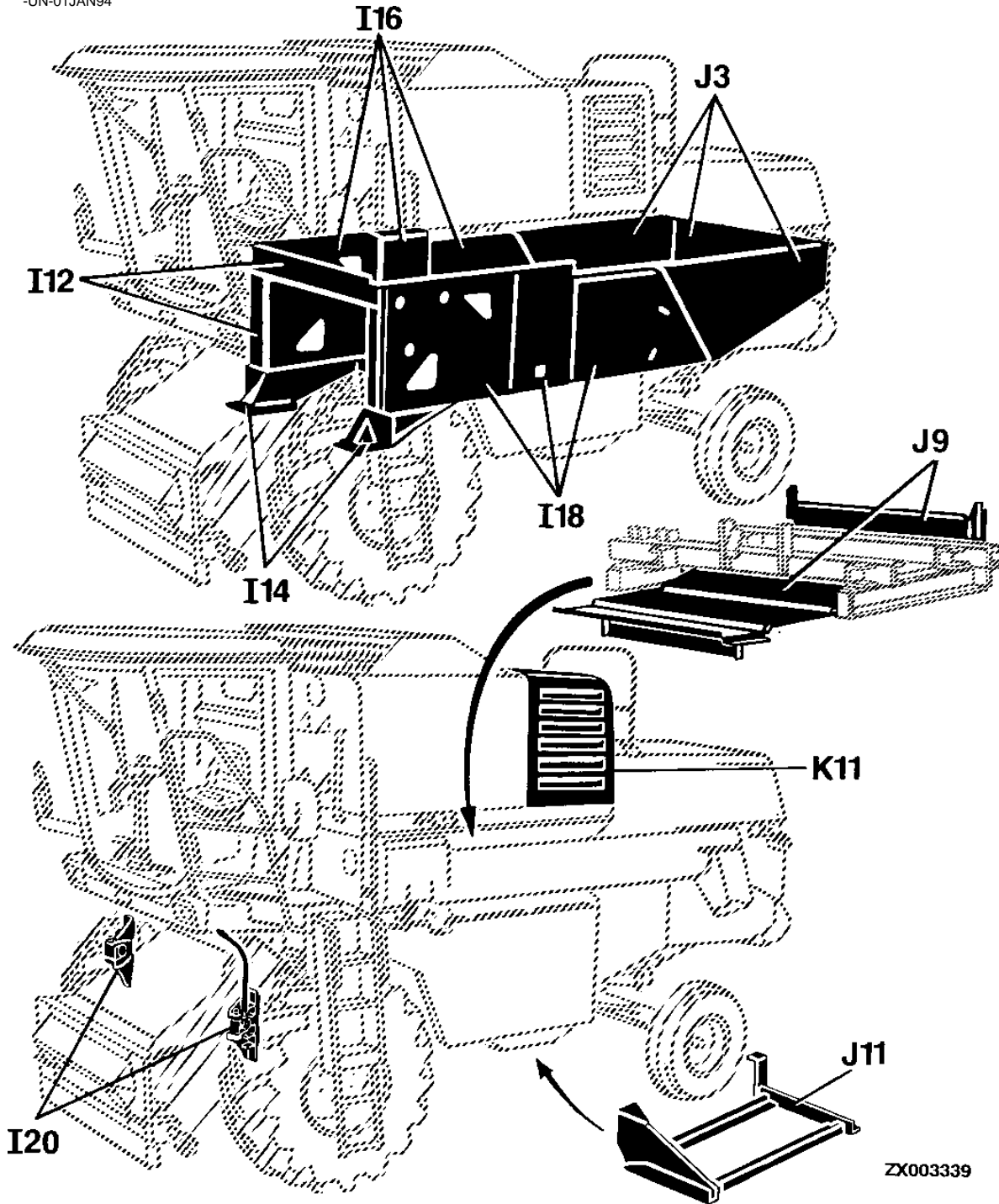
KEY	PART NO.	PART NAME	QTY	SERIAL NO.	REMARKS
1	AZ34272	EXTERNAL HALF COUPLER	1		X X
2	14H812	NUT	1		X X
3	Z29863	O-RING	1		X X
4	Z29864	O-RING	1		X X
5	Z29865	BACK-UP RING	1		X X
6	14H832	NUT	1		X X
7	Z29904	COVER	1		X X

MEMORANDA

SECTIONAL PICTORIAL INDEX

XX
 XX
 XX
 XX
 XX
 XX
 XX
 XX

ZX003339 -UN-01JAN94



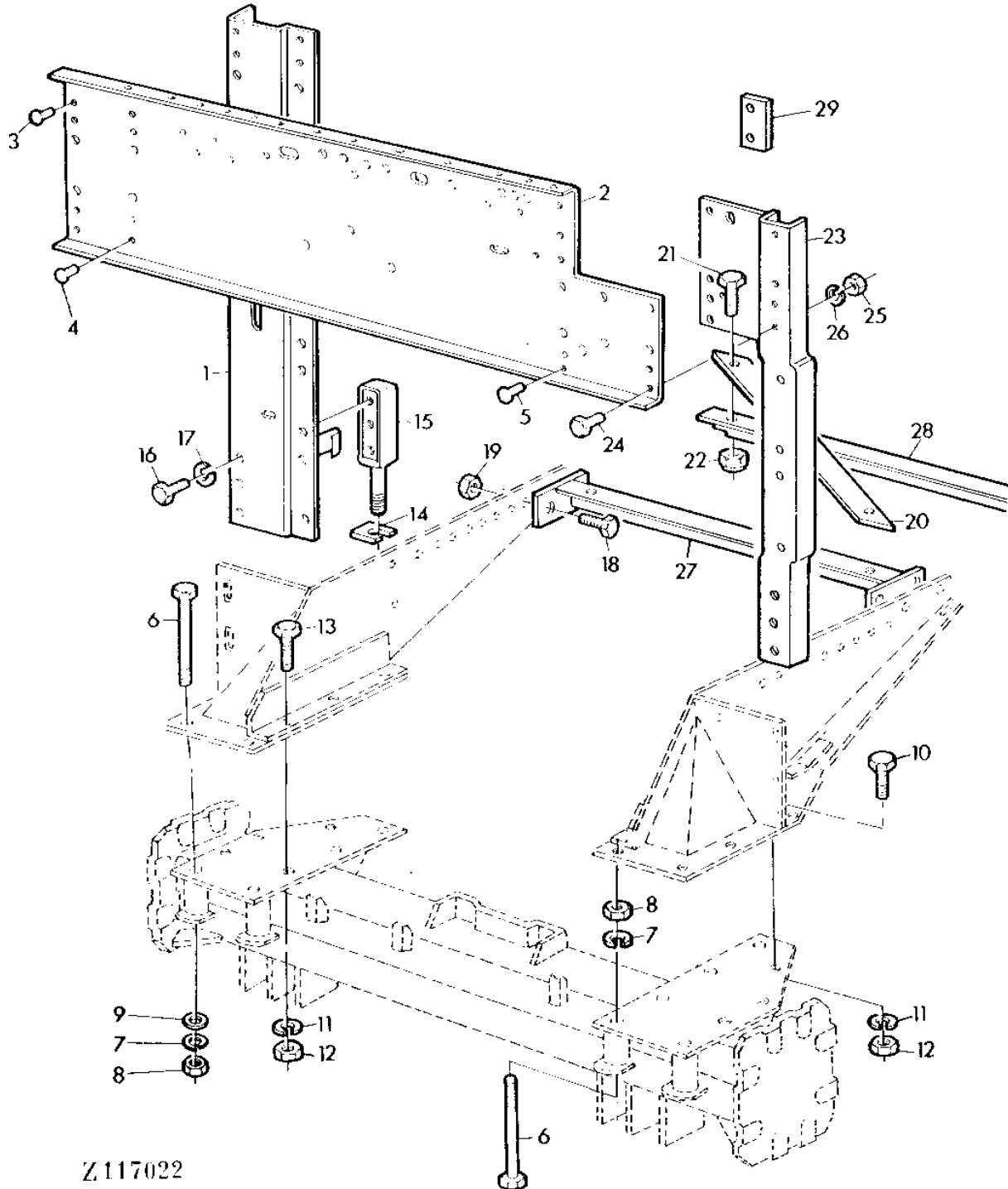
MEMORANDA

2112

SEPARATOR SHELL

Z117022 -UN-01JAN94

TRAVERSE BRACKET AND SUPPORTS



Z117022

2113

SEPARATOR SHELL

TRAVERSE BRACKET AND SUPPORTS - CONTINUED

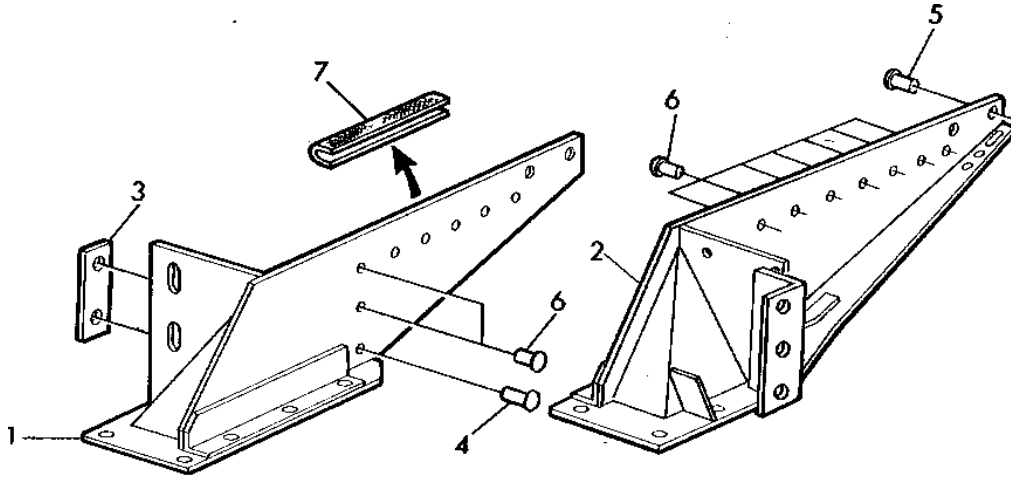
KEY	PART NO.	PART NAME	QTY	SERIAL NO.	REMARKS
					4
					4
					4 3
					4 5
					3 H
					5 Y
1	AZ39172	SUPPORT	1		X X
2	Z47534	SHEET	1		X X
3	16M2547	RIVET	AR		X X 8 X 20 MM
4	16M2550	RIVET	AR		X X 8 X 28 MM
5	16M2549	RIVET	AR		X X 8 X 25 MM
6	19M7645	SCREW	6		X X M20 X 200
7	12M7039	LOCK WASHER	8		X X 20.200 MM
8	14M7144	NUT	8		X X M20
9	Z26239	WASHER	AR		X X
10	19M7488	CAP SCREW	2		X X M16 X 40
11	12M7017	LOCK WASHER	4		X X 16.200 MM
12	14M7142	NUT	4		X X M16
13	19M7480	CAP SCREW	2		X X M16 X 55
14	Z25823	SHIM	AR		X X
15	Z11076	HOLDER	2		X X
16	19M7387	CAP SCREW	6		X X M12 X 40
17	12M7014	LOCK WASHER	6		X X 12.200 MM
18	19M7169	CAP SCREW	4		X X M10 X 35
19	14M7167	LOCK NUT	4		X X M10
20	Z20657	BRACE	2		X X
21	19M7268	CAP SCREW	4		X X M12 X 25
22	14M7168	LOCK NUT	4		X X M12
23	AZ34057	BRACE	1		X X
24	19M7139	CAP SCREW	AR		X X M8 X 20
25	14M7029	NUT	AR		X X M8
26	12M7008	LOCK WASHER	AR		X X 8.100 MM
27	AZ26689	BRACE	1		X X
28	Z20653	BRACE	1		X X
29	Z21841	STRAP	2		X X

2114

SEPARATOR SHELL

Z114885 -UN-01JAN94

FRONT AXLE SUPPORT



Z114885

4
4
4 3
4 5
3 H
5 Y

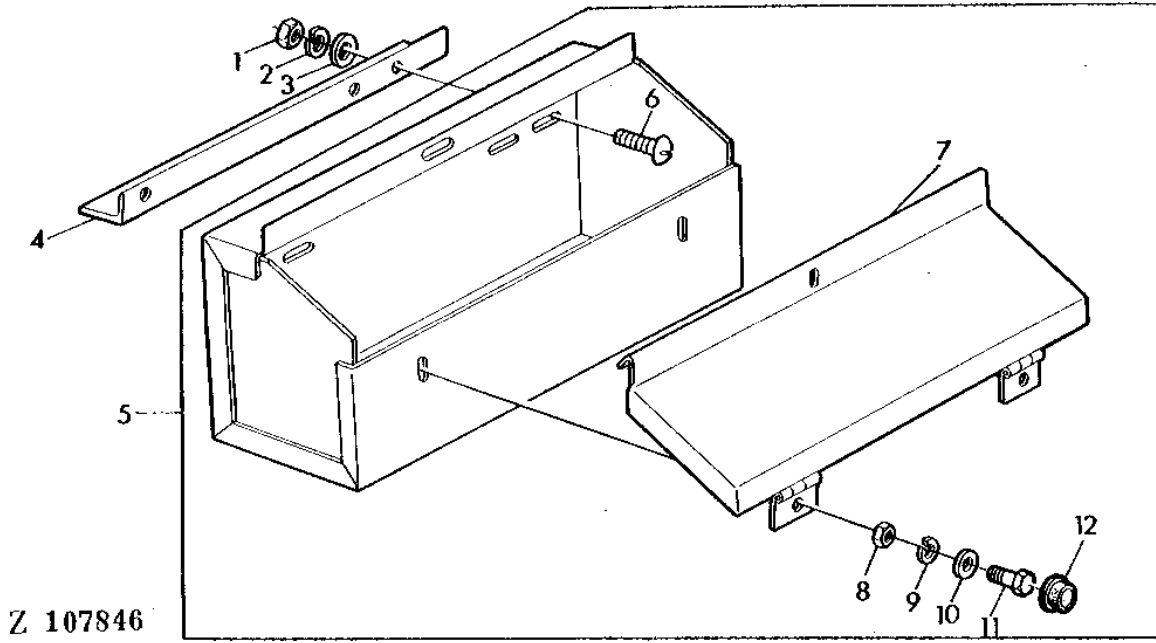
KEY	PART NO.	PART NAME	QTY	SERIAL NO.	REMARKS
1	AZ29728	BRACKET	1	X X	R.H.
2	AZ29729	BRACKET	1	X X	L.H.
3	Z33827	PLATE	2	X X	
4	16M1533	RIVET	AR	X X	10 X 38 MM
5	16M1530	RIVET	AR	X X	10 X 32 MM
6	16M1529	RIVET	AR	X X	10 X 30 MM
7	Z37304	GUARD	AR	X X	

2115

SEPARATOR SHELL

Z107846 -UN-01JAN94

TOOL BOX WITH SUPPORT



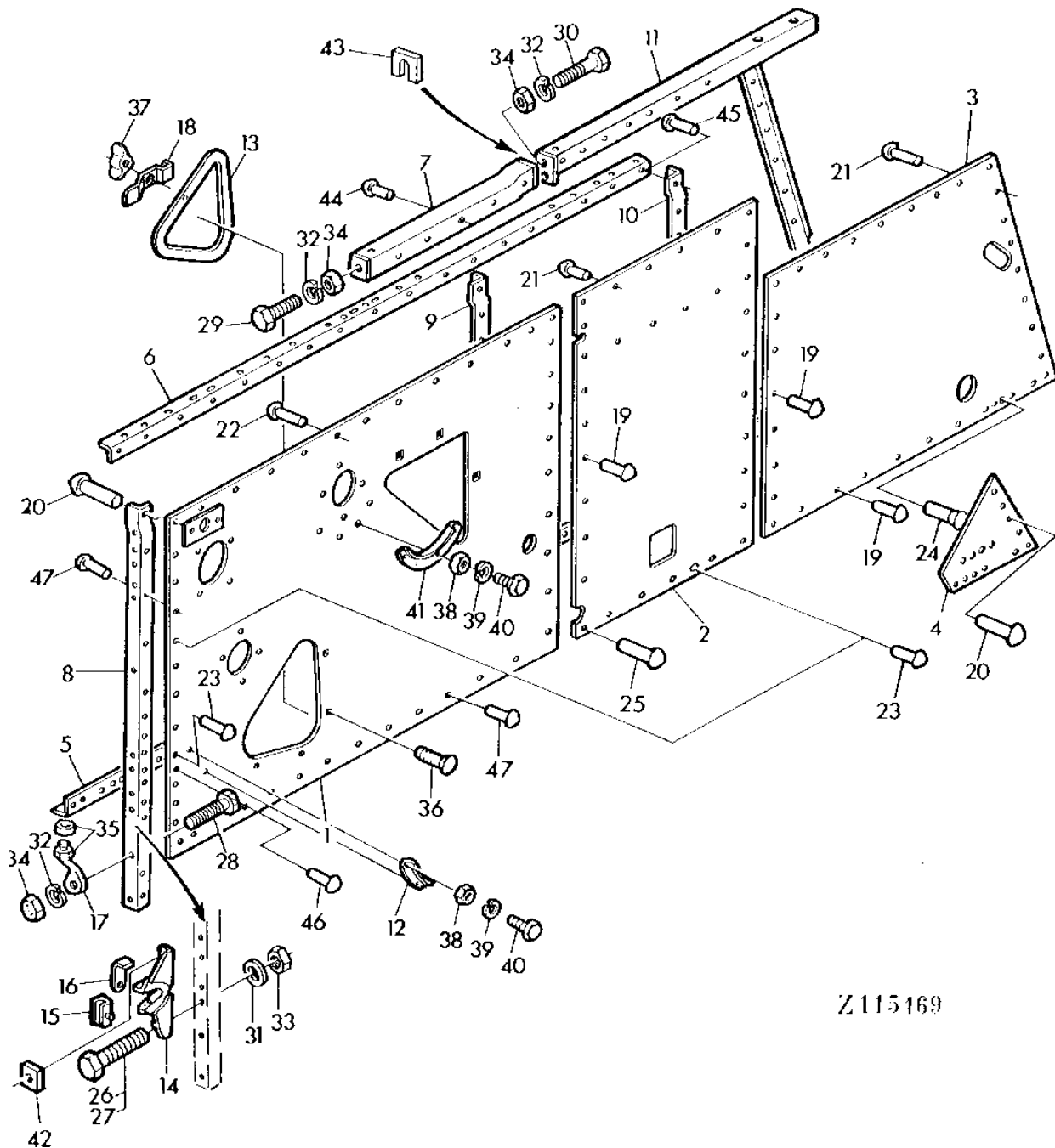
KEY	PART NO.	PART NAME	QTY	SERIAL NO.	REMARKS
					4
					4
					4 3
					4 5
					3 H
					5 Y
1	14M7029	NUT	AR		X X M8
2	12M7008	LOCK WASHER	AR		X X 8.100 MM
3	24M7036	WASHER	AR		X X 9 X 16 X 1.600 MM
4	Z34718	ANGLE	1		X X
5	AZ37936	TOOLBOX	1		X X
6	21M7089	SCREW	AR		X X M8 X 20
7	AZ13745	COVER	1		X X
8	14M7027	NUT	AR		X X M6
9	12M7012	LOCK WASHER	AR		X X 6.100 MM
10	24M7088	WASHER	AR		X X 6.600 X 12 X 1.600 MM
11	19M7077	CAP SCREW	AR		X X M6 X 20
12	Z26168	PLUG	2		X X

2116

SEPARATOR SHELL

Z115469 -UN-01JAN94

SIDE SHEETS, RIGHT-HAND



Z115169

2117

SEPARATOR SHELL

SIDE SHEETS, RIGHT HAND - CONTINUED

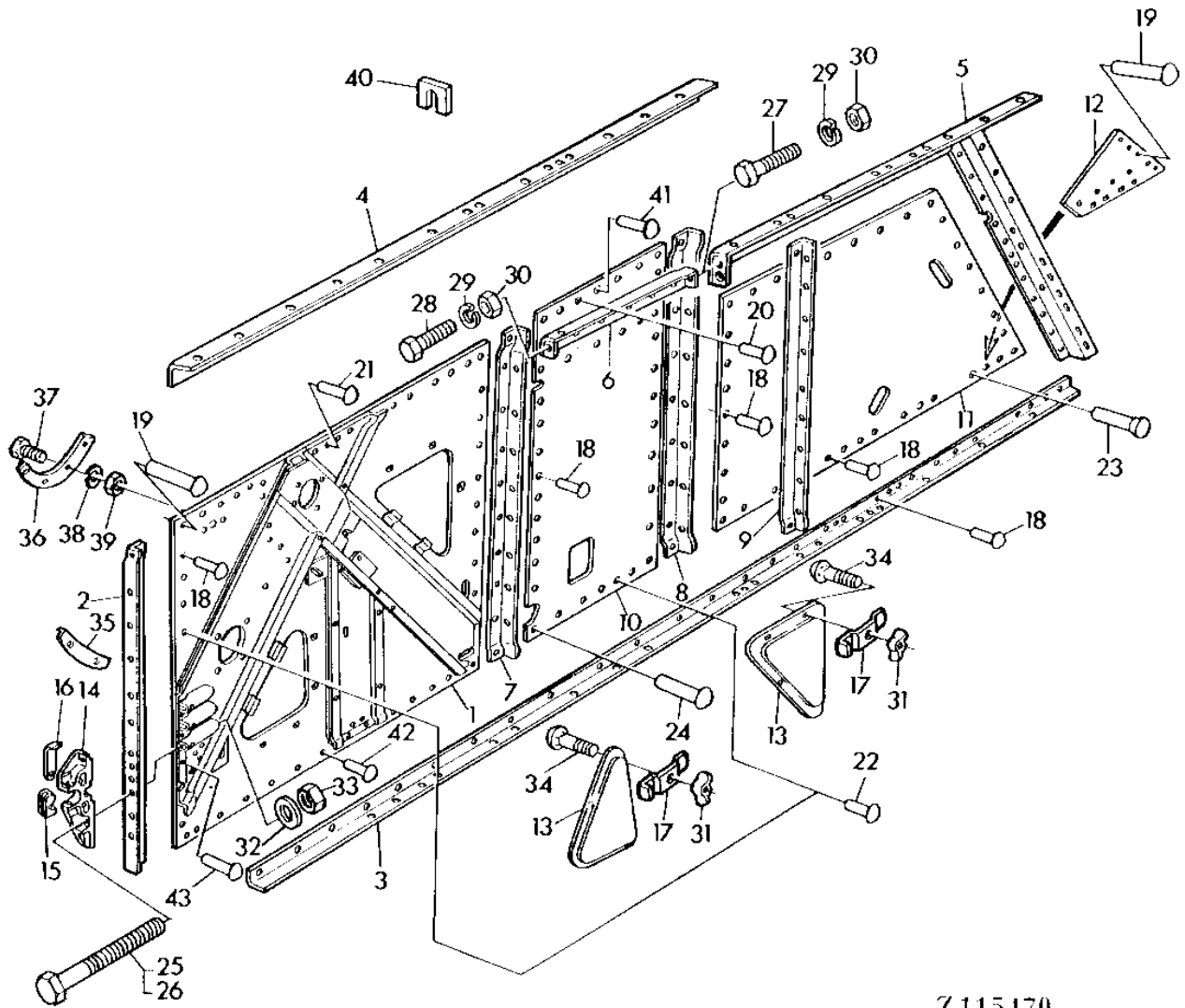
KEY	PART NO.	PART NAME	QTY	SERIAL NO.	4 4 4 3 4 5 3 H 5 Y	REMARKS
1	AZ33557	SIDE WALL	1		X X	
2	Z33832	SIDE WALL	1		X X	
3	Z33839	SIDE WALL	1		X X	
4	Z32673	REINFORCEMENT	1		X X	
5	Z46143	BEAM	1		X X	
6	Z33829	ANGLE	1		X X	
7	AZ23101	FRAME	1		X X	
8	Z37786	ANGLE	1		X X	
9	Z43527	BRACE	1		X X	
10	Z33841	ANGLE	1		X X	
11	AZ40775	FRAME	1		X X	
12	Z20912	DEFLECTOR	1		X X	
13	Z20917	COVER	2		X X	
14	Z11505	HANGER	1	-057684	X X	(ORDER AZ44804)
15	Z11503	RETAINER	1	-057684	X X	
16	Z43955	LATCH	1	-057684	X X	
17	Z20915	BRACKET	1		X X	
18	Z20367	CLAMP	7		X X	
19	AZ32299	PACKAGE OF RIVETS	AR		X X	PKG. OF (100)
20	16M1528	RIVET	AR		X X	10 X 28 MM
21	16M2523	RIVET	AR		X X	6 X 15 MM
22	16M2528	RIVET	AR		X X	6 X 30 MM
23	16M6724	RIVET	AR		X X	6 X 18 MM
24	16M7076	RIVET	AR		X X	10 X 32 MM
25	16M1527	RIVET	AR		X X	10 X 26 MM
26	19M7639	CAP SCREW	3		X X	M16 X 180
27	19M7368	CAP SCREW	3		X X	M16 X 50
28	19M7169	CAP SCREW	AR		X X	M10 X 35
29	19M7167	CAP SCREW	AR		X X	
30	19M7168	CAP SCREW	AR		X X	M10 X 30
31	L18889	WASHER	AR		X X	
32	12M7013	LOCK WASHER	AR		X X	10,185MM
33	14M7170	LOCK NUT	AR		X X	M16
34	14M7140	NUT	AR		X X	M10
35	14M7031	NUT	AR		X X	M12
36	03M7054	BOLT	AR		X X	M8 X 20
37	14M7020	WING NUT	AR		X X	M8 M8
38	14M7027	NUT	AR		X X	M6
39	12M7012	LOCK WASHER	AR		X X	6.100 MM
40	19M7159	CAP SCREW	AR		X X	M6 X 15
41	Z20913	STRIPPER	1		X X	
42	Z43956	NUT	2		X X	
43	Z22027	STRAP	3		X X	
44	16M4701	RIVET	AR		X X	6 X 15 MM
45	16M1526	RIVET	AR		X X	10 X 24 MM
46	16M4702	RIVET	AR		X X	6 X 25 MM
47	16M1529	RIVET	AR		X X	10 X 30 MM

2118

SEPARATOR SHELL

Z115470 -UN-01JAN94

SIDE SHEETS, LEFT-HAND



Z115470

2119

SEPARATOR SHELL

SIDE SHEETS, LEFT-HAND - CONTINUED

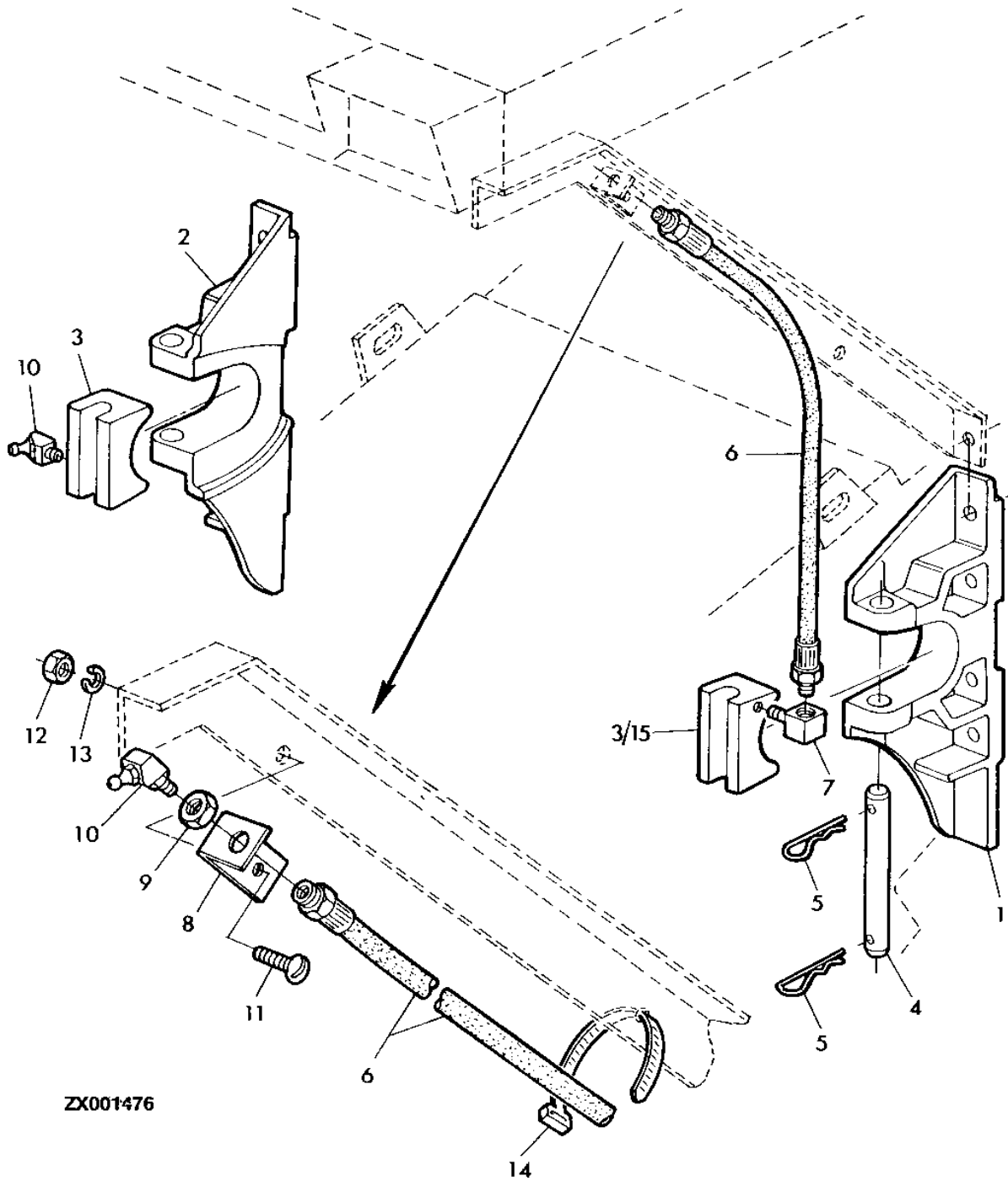
KEY	PART NO.	PART NAME	QTY	SERIAL NO.	4 4 4 3 4 5 3 H 5 Y	REMARKS
1	AZ33558	SIDE WALL	1		X X	
2	Z37785	ANGLE	1		X X	
3	Z46142	BEAM	1		X X	
4	Z33828	ANGLE	1		X X	
5	AZ36764	FRAME	1		X X	
6	AZ10470	FRAME	1		X	(SUB AZ42418)
	AZ42418	BRACE	1		X X	
7	Z43532	BRACE	1		X X	
8	Z33842	ANGLE	1		X X	
9	Z33840	ANGLE	1		X X	
10	Z33832	SIDE WALL	1		X X	
11	Z33839	SIDE WALL	1		X X	
12	Z32672	SIDE WALL	1		X X	
13	Z20917	COVER	2		X X	
14	Z11504	HANGER	1	-057684	X X	(ORDER AZ44805) (ALSO ORDER AZ38097, R44302, Z27446, E12379 AND JD7788)
15	Z11503	RETAINER	1	-057684	X X	
16	Z43955	LATCH	1	-057684	X X	
17	Z20367	CLAMP	7		X X	
18	AZ32299	PACKAGE OF RIVETS	AR		X X	PKG. OF (100)
19	16M1528	RIVET	AR		X X	10 X 28 MM
20	16M4701	RIVET	AR		X X	6 X 15 MM
21	16M2526	RIVET	AR		X X	6 X 22 MM
22	16M6724	RIVET	AR		X X	6 X 18 MM
23	16M7076	RIVET	AR		X X	10 X 32 MM
24	16M1527	RIVET	AR		X X	10 X 26 MM
25	19M7500	CAP SCREW	3		X X	M16 X 170
26	19M7368	CAP SCREW	AR		X X	M16 X 50
27	19M7168	CAP SCREW	AR		X X	M10 X 30
28	19M7167	CAP SCREW	AR		X X	M10 X 25
29	12M7013	LOCK WASHER	AR		X X	10.200 MM
30	14M7140	NUT	AR		X X	M10
31	14M7020	WING NUT	AR		X X	M8
32	L18889	WASHER	AR		X X	
33	14M7170	LOCK NUT	AR		X X	M16
34	03M7054	BOLT	AR		X X	M8 X 20
35	Z20912	DEFLECTOR	1		X X	
36	Z20913	STRIPPER	1		X X	
37	19M7159	CAP SCREW	AR		X X	M6 X 15
38	12M7012	LOCK WASHER	AR		X X	6.100 MM
39	14M7027	NUT	AR		X X	M6
40	Z22027	STRAP	3		X X	
41	16M2523	RIVET	AR		X X	6 X 15 MM
42	16M1529	RIVET	AR		X X	10 X 30 MM
43	16M7000	RIVET	AR		X X	6 X 22 MM

2120

SEPARATOR SHELL

ZX001476 -UN-01JAN94

FEEDER HOUSE SUPPORT



ZX001476

2121

SEPARATOR SHELL

FEEDER HOUSE SUPPORT - CONTINUED

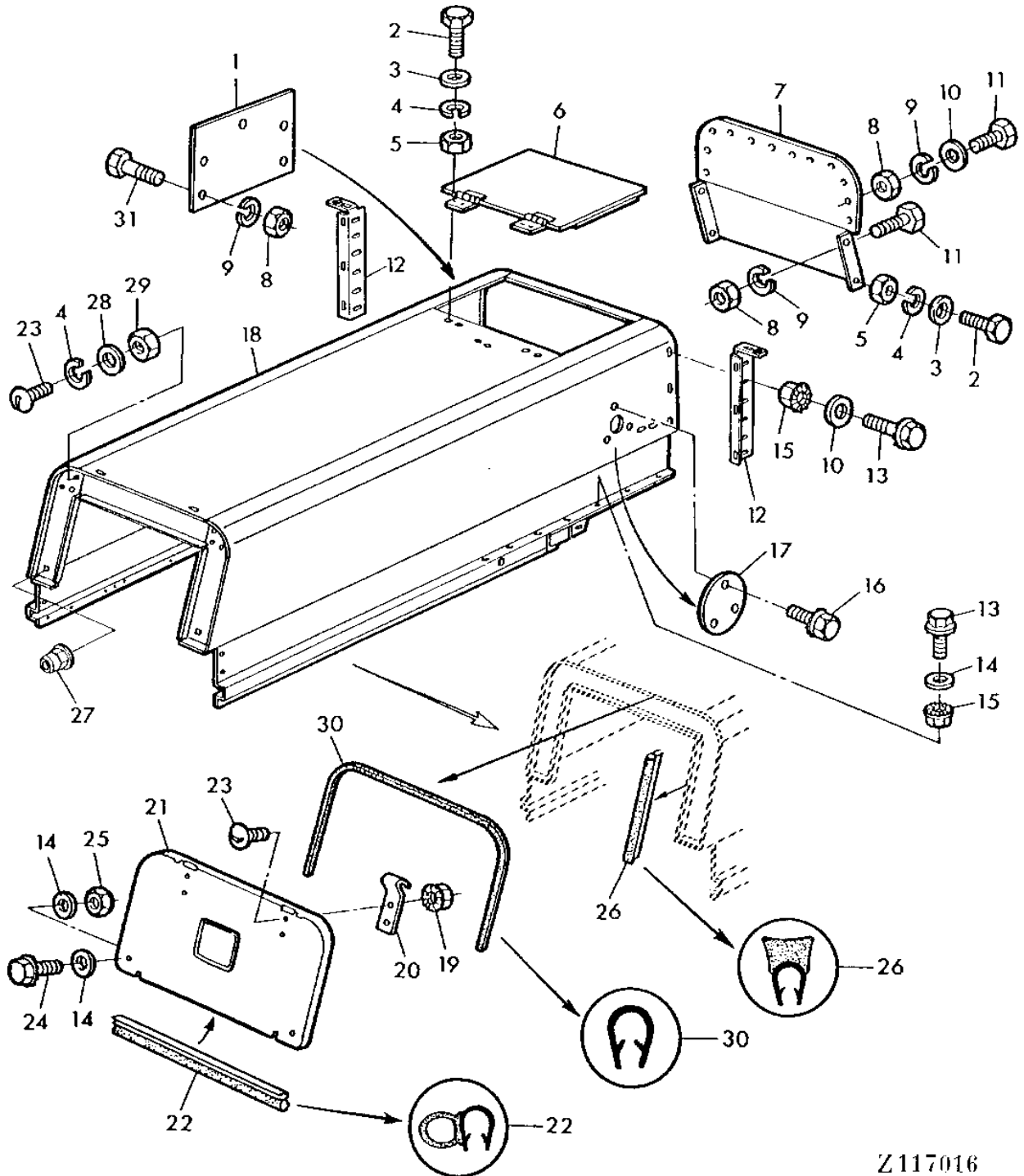
KEY	PART NO.	PART NAME	QTY	SERIAL NO.	4 4 4 3 4 5 3 H 5 Y	REMARKS
1	AZ44805	HANGER	1	057685-	X X	(INCL.KEYS 3-5,7)
2	AZ44804	HANGER	1	057685-	X X	(INCL.KEYS 3-5,10)
3	Z12476	RETAINER	2	-058110	X X	
	Z12476	RETAINER	1	058111-	X X	
4	Z56853	PIN	2	057685-	X X	
5	L18955	QUICK LOCK PIN	4	057685-	X X	
6	AZ38097	HYDRAULIC HOSE	1	057685-	X X	
7	JD7845	LUBRICATION FITTING	1	057685-	X X	
8	Z27446	HOLDER	1	057685-	X X	
9	E12379	NUT	1	057685-	X X	
10	JD7788	LUBRICATION FITTING	2	057685-	X X	
11	21M7031	SCREW	AR	057685-	X X	M6 X 15
12	14M7027	NUT	AR	057685-	X X	M6
13	12M7012	LOCK WASHER	AR	057685-	X X	6.100 MM
14	R44302	TIE BAND	AR	057685-	X X	
15	Z12553	RETAINER	1	058111-	X X	

2122

SEPARATOR SHELL

Z117016 -UN-01JAN94

REAR HOOD



Z117016

2123

SEPARATOR SHELL

REAR HOOD - CONTINUED

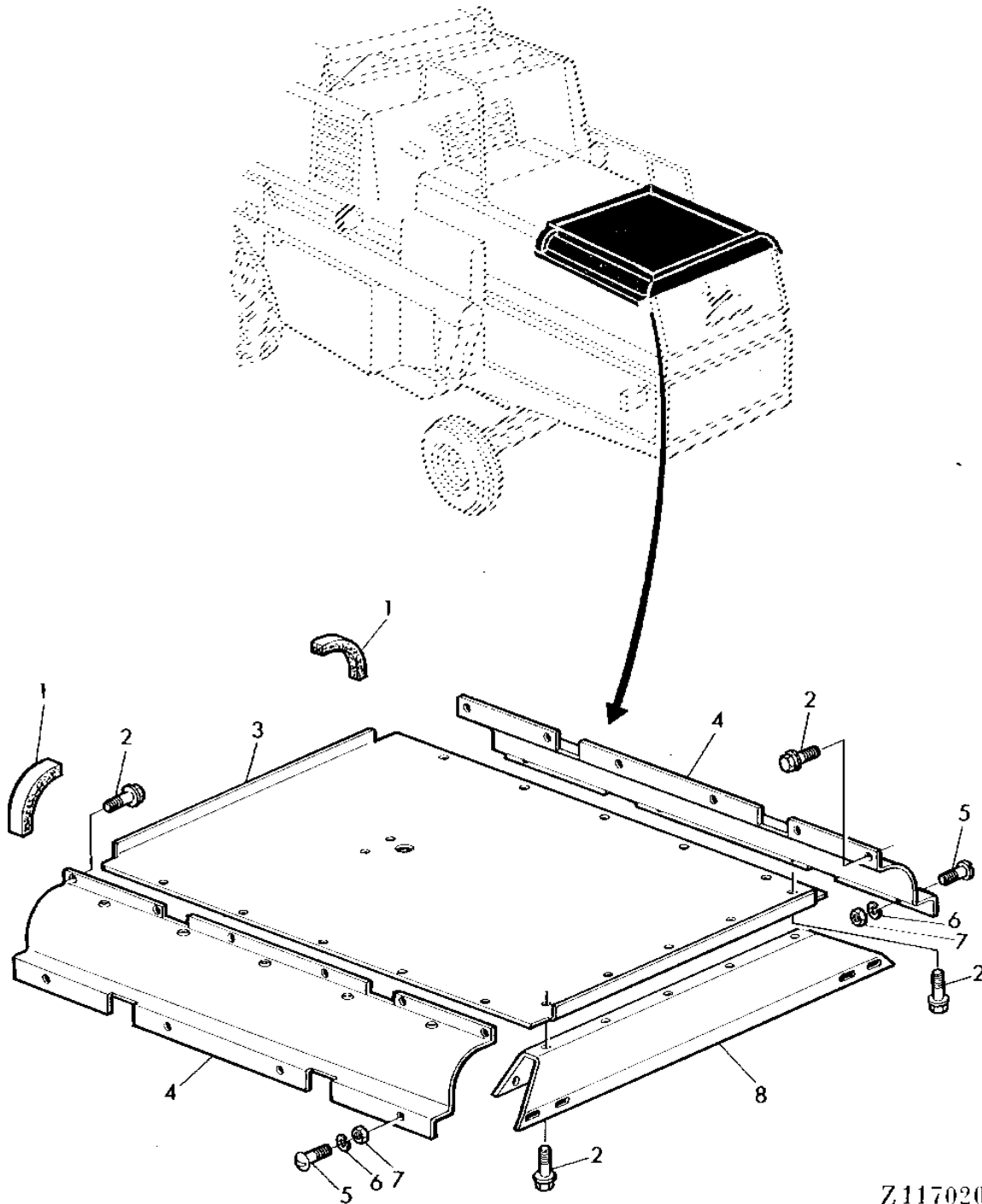
KEY	PART NO.	PART NAME	QTY	SERIAL NO.	4 4 4 3 4 5 3 H 5 Y	REMARKS
1	Z40446	COVER	1		X X	AR
2	19M7375	CAP SCREW	AR		X X	M6 X 18
3	Z26250	WASHER	AR		X X	
4	12M7012	LOCK WASHER	AR		X X	6.100 MM
5	14M7027	NUT	AR		X X	M6
6	AZ22493	COVER	1		X X	
7	Z43744	SIDE WALL	1		X X	
8	14M7029	NUT	AR		X X	M8
9	12M7008	LOCK WASHER	AR		X X	8.100 MM
10	24M7036	WASHER	AR		X X	9 X 16 X 1.600 MM
11	19M7139	CAP SCREW	AR		X X	M8 X 20
12	Z47923	RETAINER	2		X X	
13	19M8308	CAP SCREW	AR		X X	M8 X 20
14	24M7179	WASHER	AR		X X	8.400 X 24 X 2 MM
15	14M7416	FLANGE NUT	AR		X X	M8
16	Z43398	SELF-LOCKING SCREW	AR		X X	
17	Z40445	COVER	1		X X	AR
18	AZ40782	HOOD	1		X X	
19	Z41039	NUT	AR		X X	
20	Z47606	HINGE	2		X X	
21	AZ39040	COVER	1		X X	
22	AZ40412	WEATHERSTRIP	1		X X	
23	21M7031	SCREW	AR		X X	M6 X 15
24	19M7164	CAP SCREW	AR		X X	M8 X 50
25	14M7166	LOCK NUT	AR		X X	M8
26	AZ40411	GASKET	1		X X	
27	Z51801	NUT	3		X X	
28	24M7088	WASHER	AR		X X	6.600 X 12 X 1.600 MM
29	14M7373	NUT	AR		X X	M6
30	Z37304	GUARD	1		X X	
31	19M7162	CAP SCREW	AR		X X	M8 X 16

2124

SEPARATOR SHELL

Z117020 -UN-01JAN94

REINFORCEMENT FOR REAR HOOD



Z117020

2125

SEPARATOR SHELL

REINFORCEMENT FOR REAR HOOD - CONTINUED

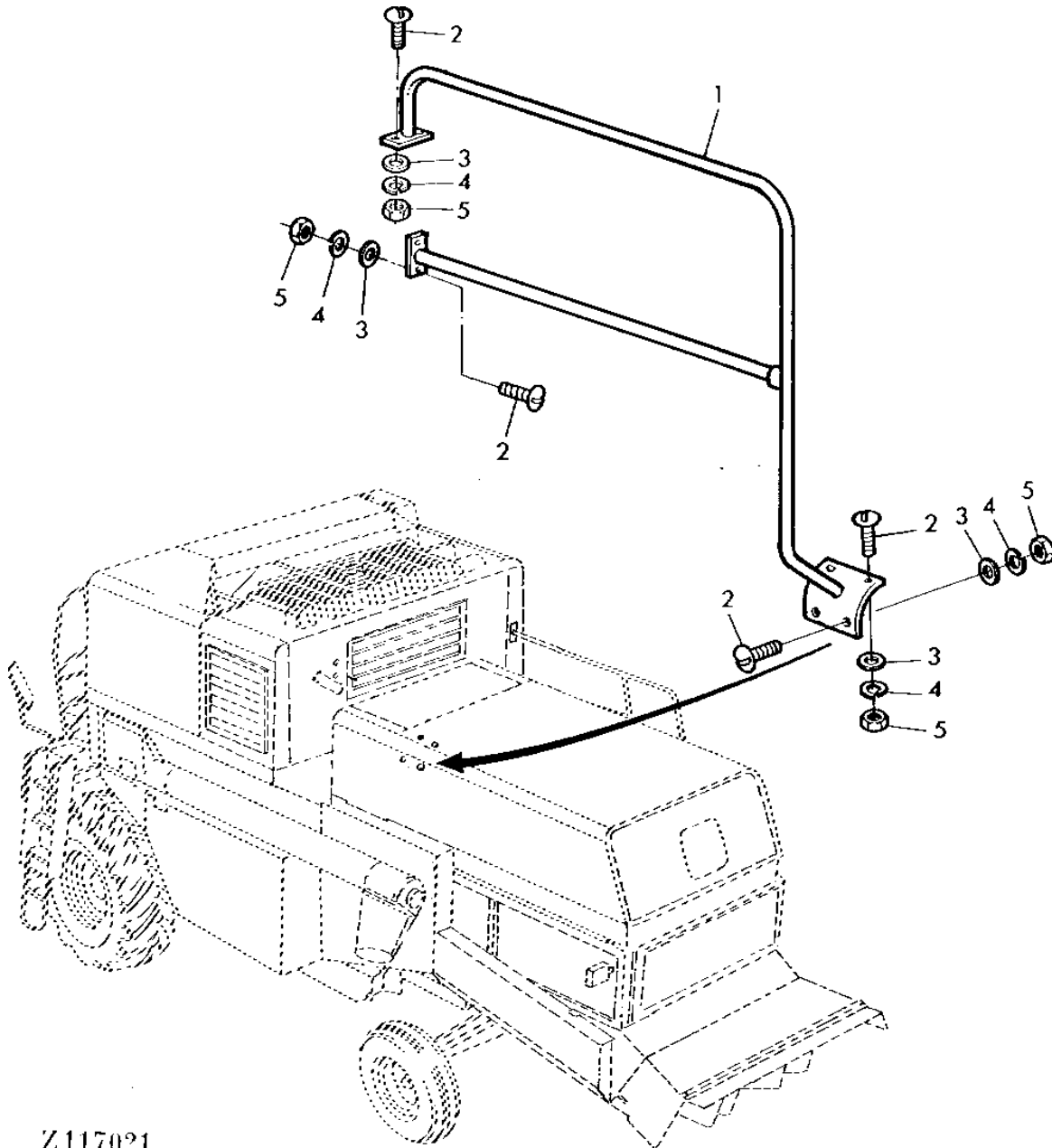
KEY	PART NO.	PART NAME	QTY	SERIAL NO.	4 4 4 3 4 5 3 H 5 Y	REMARKS
1	WEATHERSTRIP	2		X X	(CUT FROM Z45400)
2	Z47790	SCREW	27		X X	
3	Z52331	RIB	1		X X	
4	Z52330	RIB	2		X X	
5	21M7083	SCREW	8		X X	M6 X 10
6	12M7012	LOCK WASHER	8		X X	6.100 MM
7	14M7027	NUT	8		X X	M6
8	Z52329	GUARD	1		X X	

2J1

SEPARATOR SHELL

Z117021 -UN-01JAN94

REAR HOOD RAILING



Z117021

2J2

SEPARATOR SHELL

REAR HOOD RAILING - CONTINUED

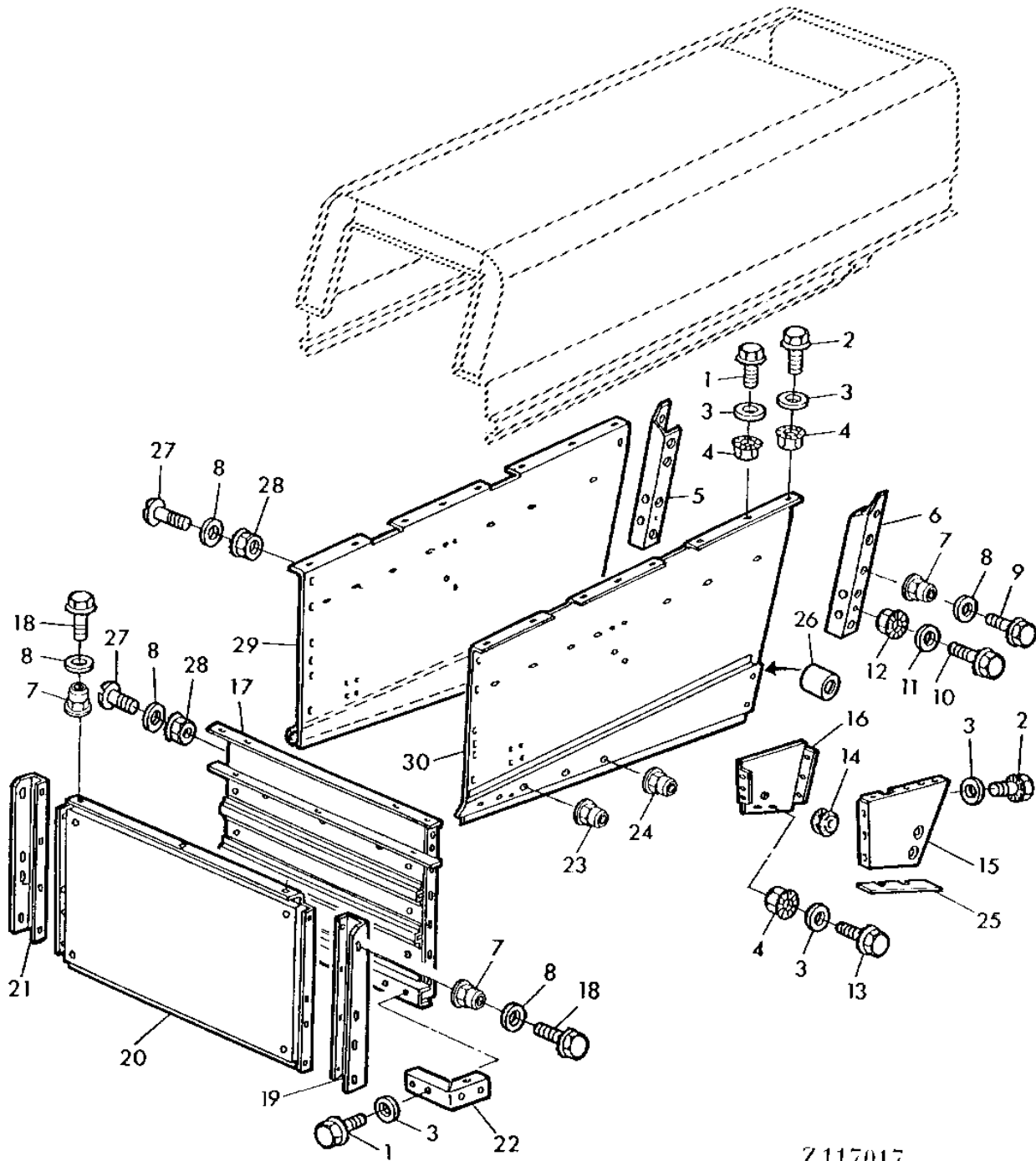
KEY	PART NO.	PART NAME	QTY	SERIAL NO.		REMARKS
					4	
					4	
					4 3	
					4 5	
					3 H	
					5 Y	
1	AZ41094	HANDRAIL	1		X X	
2	21M7160	SCREW	8		X X	M8 X 18
3	24M7036	WASHER	8		X X	9 X 16 X 1.600 MM
4	12M7008	LOCK WASHER	8		X X	8.100 MM
5	14M7029	NUT	8		X X	M8

2J3

SEPARATOR SHELL

Z117017 -UN-01JAN94

REAR HOOD LOWER SHEETS



Z117017

2J4

SEPARATOR SHELL

REAR HOOD LOWER SHEETS - CONTINUED

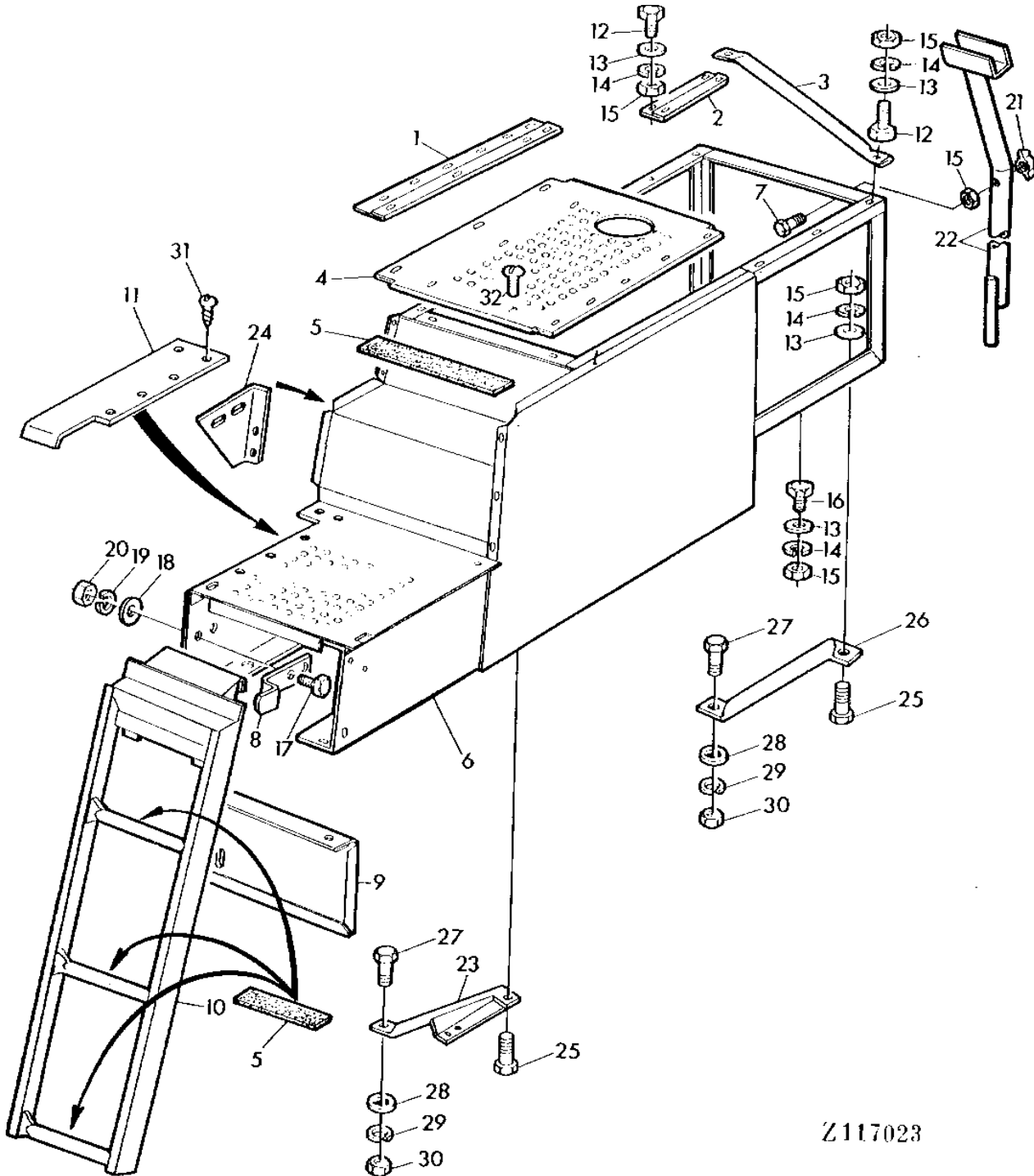
KEY	PART NO.	PART NAME	QTY	SERIAL NO.	4 4 4 3 4 5 3 H 5 Y	REMARKS
1	19M8308	CAP SCREW	AR		X X	M8 X 20
2	19M8367	CAP SCREW	2		X X	M8 X 25
3	24M7179	WASHER	AR		X X	8.400 X 24 X 2 MM
4	14M7416	FLANGE NUT	AR		X X	M8
5	Z47635	RETAINER	1		X X	L.H.
6	Z47636	RETAINER	1		X X	R.H.
7	Z51633	NUT	AR		X X	M6
8	24M7100	WASHER	AR		X X	6.600 X 22 X 2 MM
9	19M8365	CAP SCREW	AR		X X	M6 X 30
10	19M8430	CAP SCREW	AR		X X	M10 X 70
11	24M7101	WASHER	AR		X X	11 X 34 X 3 MM
12	14M7418	FLANGE NUT	AR		X X	M10
13	19M8368	CAP SCREW	AR		X X	M8 X 30
14	Z42240	GROMMET	2		X X	
15	AZ40856	RETAINER	1		X X	R.H., OUTER
	AZ40857	RETAINER	1		X X	L.H., OUTER
16	AZ40859	RETAINER	1		X X	R.H., INNER
	AZ40858	RETAINER	1		X X	L.H., INNER
17	AZ37946	PARTITION	1		X X	
18	19M8362	CAP SCREW	AR		X X	M6 X 16
19	Z47652	RETAINER	1		X X	R.H.
20	Z47659	PARTITION	1		X X	
21	Z47653	RETAINER	1		X X	L.H.
22	AZ40855	RETAINER	2		X X	
23	Z51801	NUT	AR		X X	
24	Z52002	NUT	AR		X X	
25	Z52035	SHIM	AR		X X	
26	Z51091	SPACER	2		X X	
27	21M7031	SCREW	AR		X X	M6 X 15
28	Z41039	NUT	AR		X X	
29	AZ40854	SIDE WALL	1		X X	L.H.
30	AZ40853	SIDE WALL	1		X X	R.H.

2J5

SEPARATOR SHELL

Z117023 -UN-01JAN94

SERVICE PLATFORM, REAR, RIGHT-HAND



Z117023

2J6

SEPARATOR SHELL

SERVICE PLATFORM, REAR, RIGHT-HAND - CONTINUED

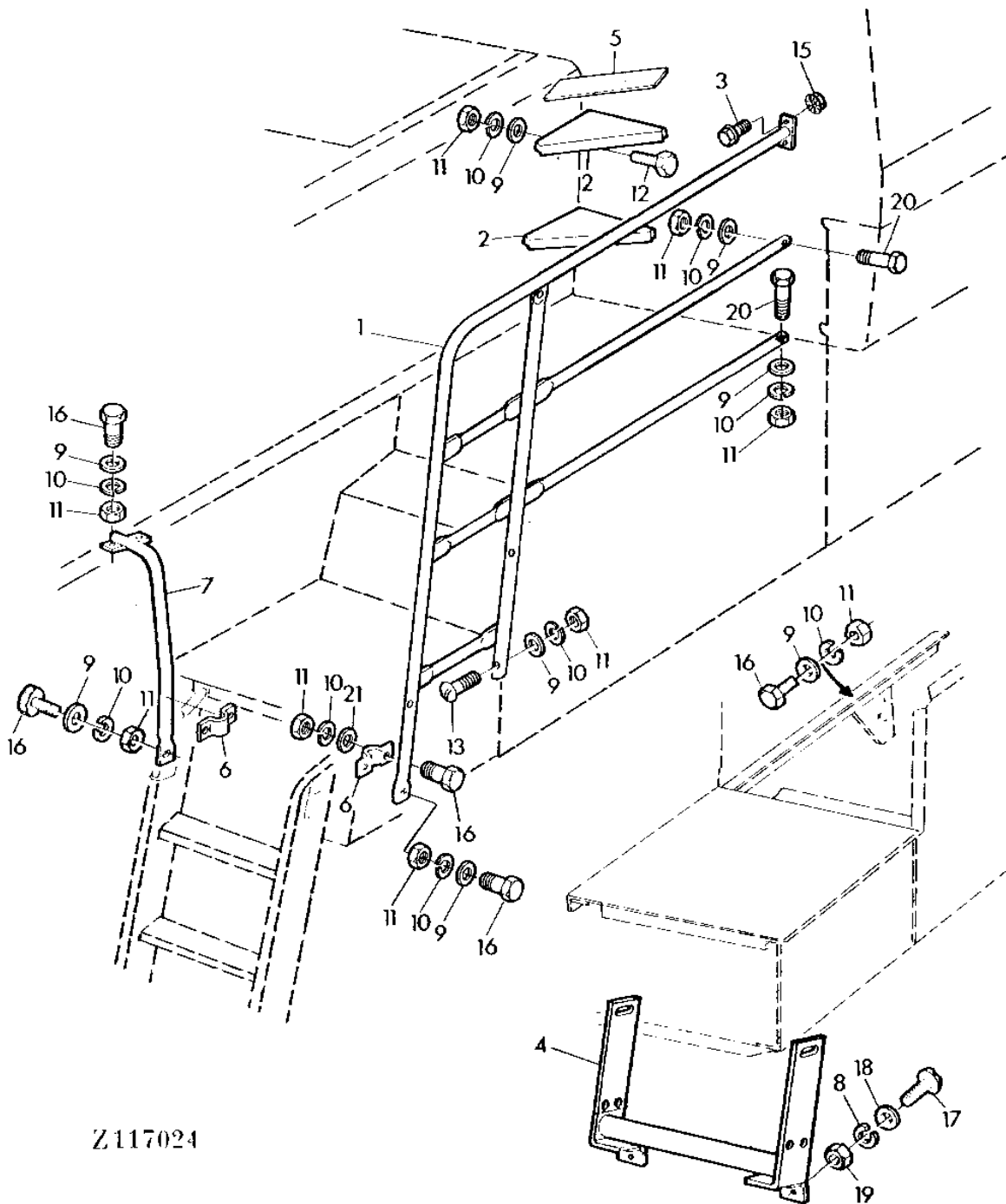
KEY	PART NO.	PART NAME	QTY	SERIAL NO.	4 4 4 3 4 5 3 H 5 Y	REMARKS
1	Z34554	PLATE	2		X X	
2	Z34523	STRAP	2		X X	
3	Z37917	BRACE	1		X X	
4	Z34557	SHEET	1		X X	
5	Z34592	GUARD	2		X X	
6	AZ40321	PLATFORM	1		X X	(SUB AZ42486)
	AZ42486	PLATFORM	1		X X	
7	19M7164	CAP SCREW	1		X X	M8 X 50
8	Z35138	LATCH	1		X X	
9	Z35205	SHEET	1		X X	
10	AZ40317	LADDER	1		X X	
11	Z38441	SHEET	1		X X	
12	19M7163	CAP SCREW	AR		X X	M8 X 25
13	24M7036	WASHER	AR		X X	9 X 16 X 1.600 MM
14	12M7008	LOCK WASHER	AR		X X	8.100 MM
15	14M7029	NUT	AR		X X	M8
16	19M7139	CAP SCREW	AR		X X	M8 X 20
17	19M7159	CAP SCREW	AR		X X	M6 X 15
18	24M7088	WASHER	AR		X X	6.600 X 12 X 1.600 MM
19	12M7012	LOCK WASHER	AR		X X	6.100 MM
20	14M7027	NUT	AR		X X	M6
21	Z20285	WING NUT	1		X X	
22	AZ40324	SUPPORT	1		X X	
23	AZ28797	BRACE	1		X X	
24	Z34522	HOLDER	1		X X	
25	19M7288	CAP SCREW	AR		X X	M8 X 30
26	Z39304	BRACE	1		X X	5,5 X 13MM
27	19M7168	CAP SCREW	AR		X X	M10 X 30
28	24M7040	WASHER	AR		X X	11 X 20 X 2 MM
29	12M7013	LOCK WASHER	AR		X X	10.200 MM
30	14M7140	NUT	AR		X X	M10
31	37M7029	SCREW	AR		X X	5,5 X 13MM
32	21M7081	SCREW	AR		X X	M8 X 15

2J7

SEPARATOR SHELL

Z117024 -UN-01JAN94

REAR SERVICE PLATFORM LADDER



Z117024

2J8

SEPARATOR SHELL

REAR SERVICE PLATFORM LADDER - CONTINUED

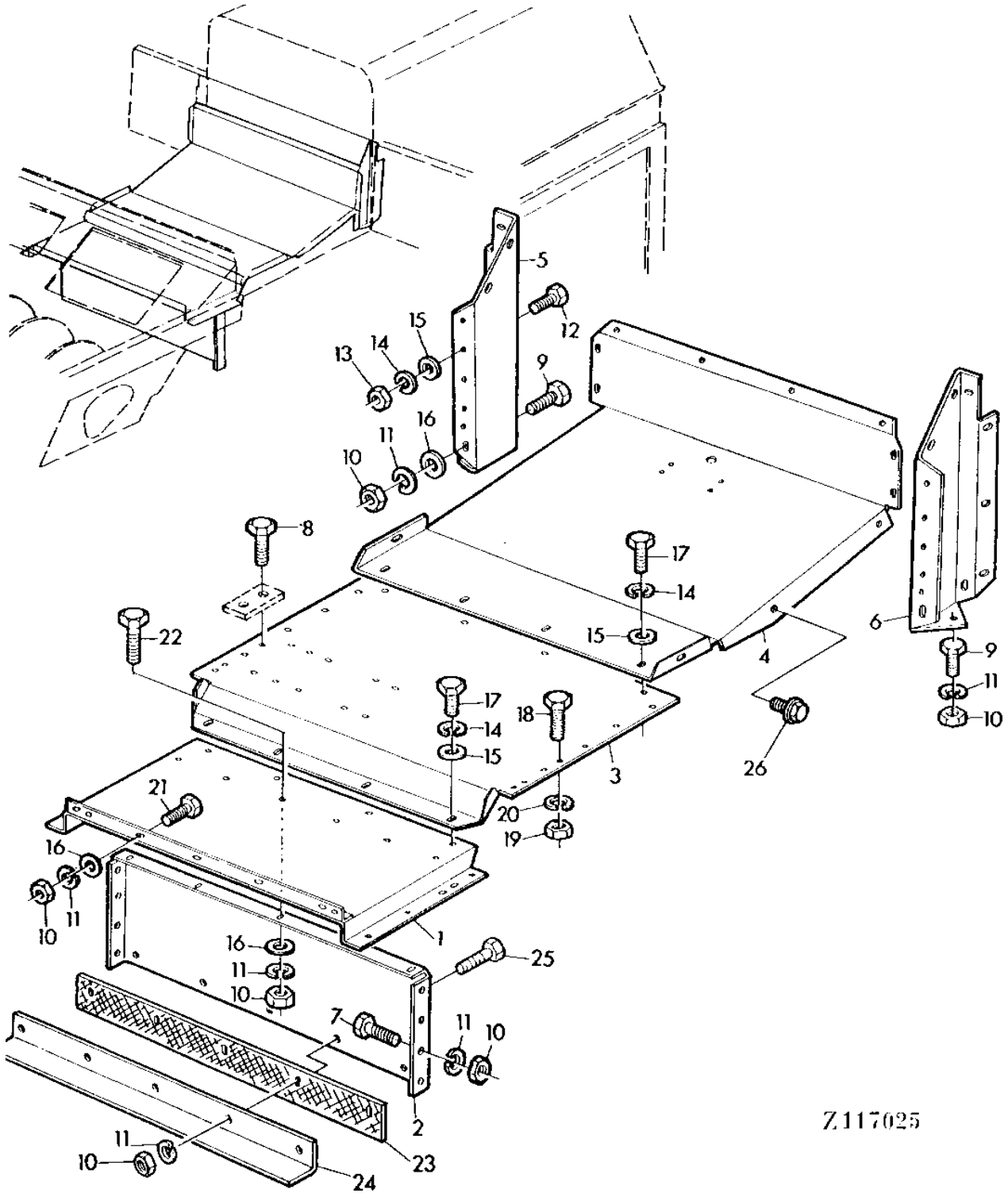
KEY	PART NO.	PART NAME	QTY	SERIAL NO.	4 4 4 3 4 5 3 H 5 Y	REMARKS
1	AZ41093	HANDRAIL	1		X X	
2	Z33359	STEP	2		X X	
3	Z43398	SELF-LOCKING SCREW	2		X X	
4	AZ40345	REINFORCEMENT	1		X X	
5	Z34592	GUARD	AR		X X	
6	Z34537	CLAMP	2		X X	
7	AZ23605	HANDRAIL	1		X X	
8	12M7012	LOCK WASHER	AR		X X	6.100 MM
9	24M7036	WASHER	AR		X X	9 X 16 X 1.600 MM
10	12M7008	LOCK WASHER	AR		X X	8.100 MM
11	14M7029	NUT	AR		X X	M8
12	19M7284	CAP SCREW	AR		X X	M8 X 18
13	21M7205	SCREW	AR		X X	M8 X 45
14	03M7074	BOLT	AR		X X	M8 X 65
15	14M7416	FLANGE NUT	2		X X	M8
16	19M7163	CAP SCREW	AR		X X	M8 X 25
17	21M7087	SCREW	AR		X X	M6 X 12
18	24M7088	WASHER	AR		X X	6.600 X 12 X 1.600 MM
19	14M7027	NUT	AR		X X	M6
20	19M7323	CAP SCREW	AR		X X	M8 X 40
21	24M7024	WASHER	AR		X X	9 X 28 X 3 MM

2J9

SEPARATOR SHELL

Z117025 -UN-01JAN94

ENGINE COMPARTMENT FLOOR SHEETS



Z117025

2J10

SEPARATOR SHELL

ENGINE COMPARTMENT FLOOR SHEETS - CONTINUED

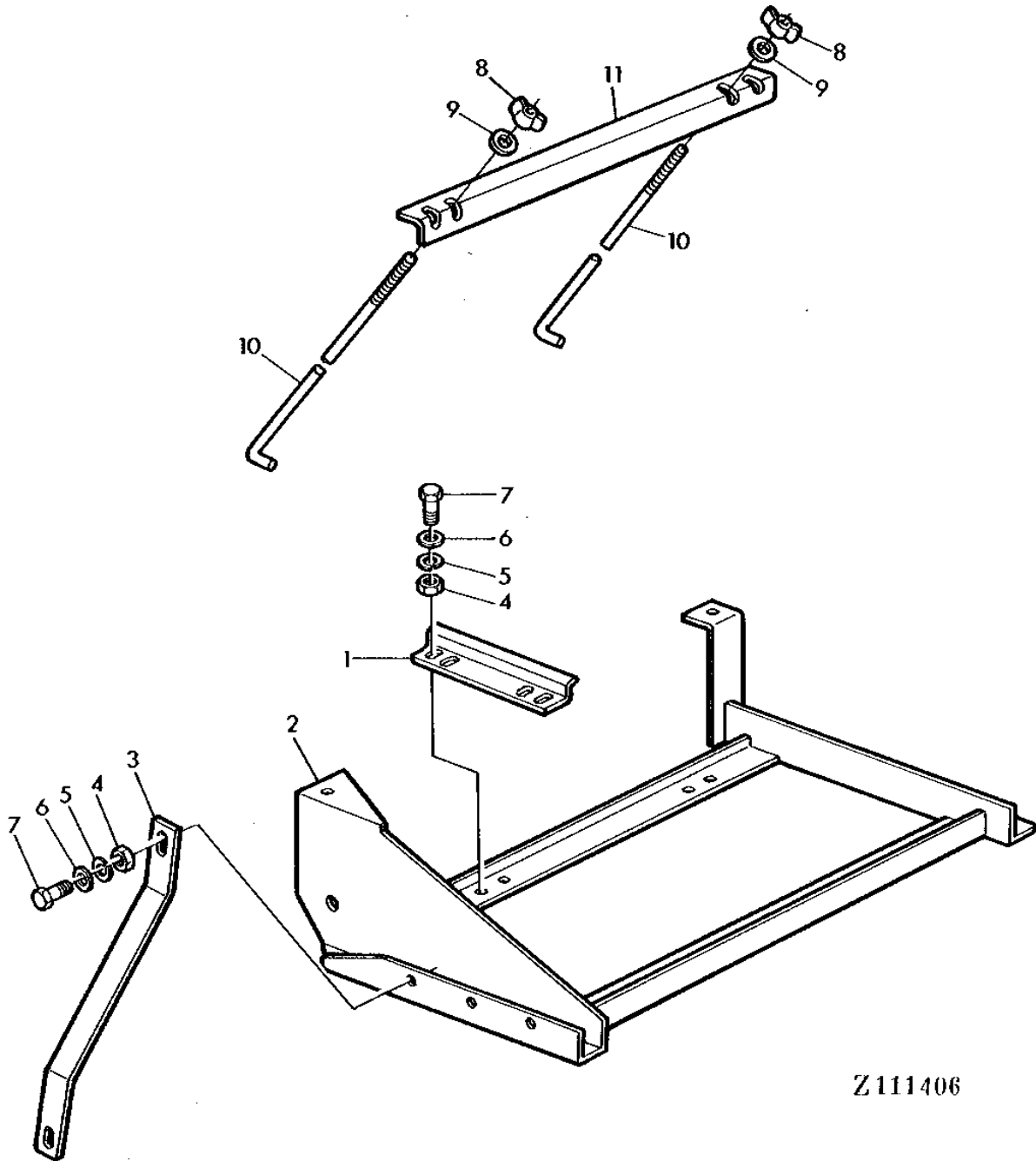
KEY	PART NO.	PART NAME	QTY	SERIAL NO.	REMARKS
					4
					4
					4 3
					4 5
					3 H
					5 Y
1	AZ22707	SHEET	1		X X
2	Z33744	SHEET	1		X X
3	AZ23738	SHEET	1		X X
4	Z52316	SHEET	1		X X
5	Z33315	REINFORCEMENT	1		X X
6	Z33316	HOLDER	1		X X
7	19M7139	CAP SCREW	AR		X X M8 X 20
8	19M7167	CAP SCREW	AR		X X M10 X 25
9	19M7163	CAP SCREW	AR		X X M8 X 25
10	14M7029	NUT	AR		X X M8
11	12M7008	LOCK WASHER	AR		X X 8.100 MM
12	19M7375	CAP SCREW	AR		X X M6 X 18
13	14M7027	NUT	AR		X X M6
14	12M7012	LOCK WASHER	AR		X X 6.100 MM
15	24M7088	WASHER	AR		X X 6.600 X 12 X 1.600 MM
16	24M7036	WASHER	AR		X X 9 X 16 X 1.600 MM
17	19M6614	CAP SCREW	AR		X X M6 X 12
18	19M7166	CAP SCREW	AR		X X M10 X 20
19	14M7140	NUT	AR		X X M10
20	12M7013	LOCK WASHER	AR		X X 10.200 MM
21	19M7162	CAP SCREW	AR		X X M8 X 16
22	19M7284	CAP SCREW	AR		X X M8 X 18
23	Z20663	GASKET	1		X X
24	Z20665	ANGLE	1		X X
25	19M7288	CAP SCREW	AR		X X M8 X 30
26	Z47790	SCREW	AR		X X

2J11

SEPARATOR SHELL

Z111406 -UN-01JAN94

BATTERY MOUNTINGS



Z111406

2J12

SEPARATOR SHELL

BATTERY MOUNTINGS - CONTINUED

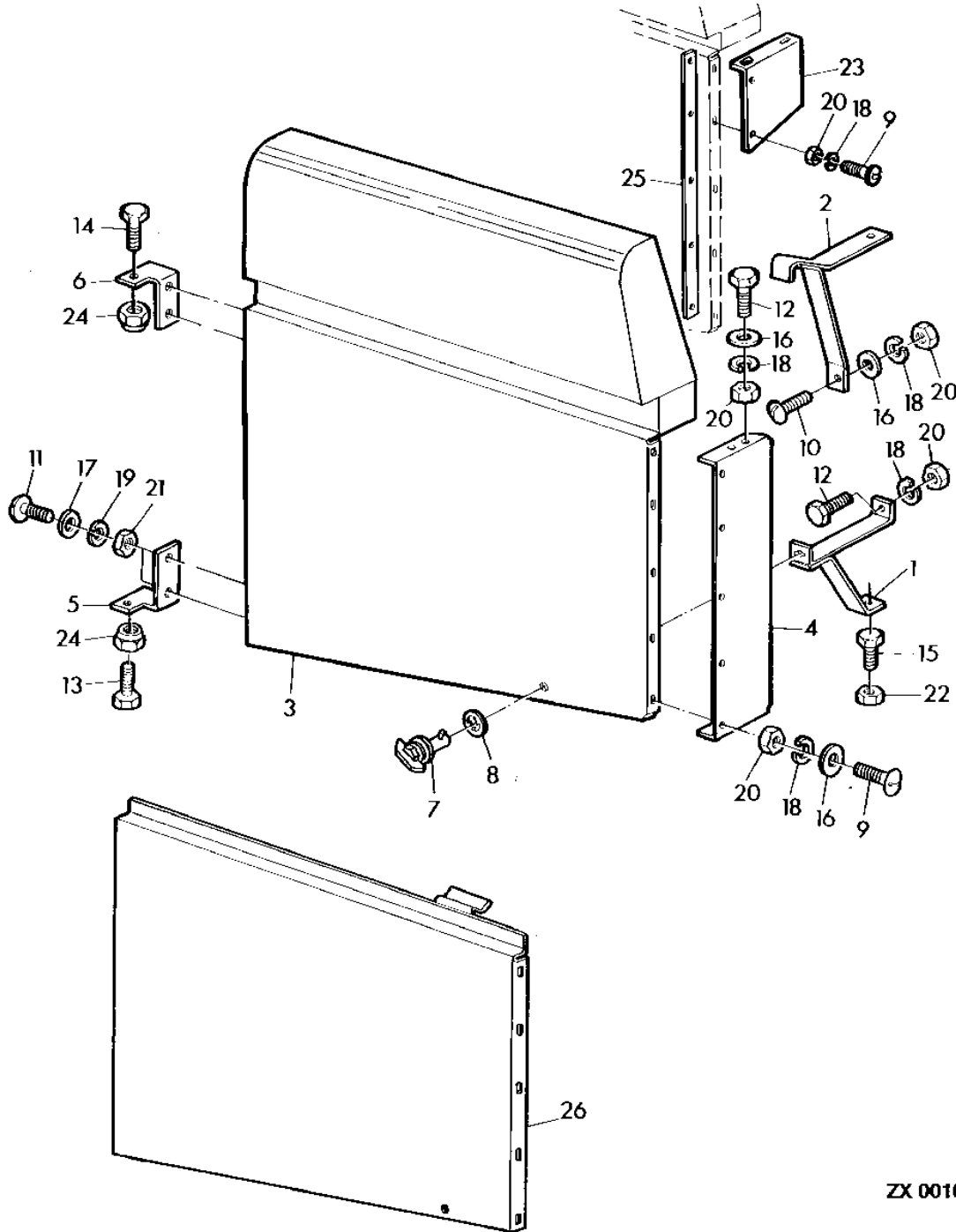
KEY	PART NO.	PART NAME	QTY	SERIAL NO.	4 4 4 3 4 5 3 H 5 Y	REMARKS
1	Z32841	RETAINER	2		X X	
2	AZ36829	RETAINER	1		X X	
3	Z46167	BRACE	1		X X	
4	14M7029	NUT	AR		X X	M8
5	12M7008	LOCK WASHER	AR		X X	8.100 MM
6	24M7036	WASHER	AR		X X	9 X 16 X 1.600 MM
7	19M7139	CAP SCREW	AR		X X	M8 X 20
8	14M6662	WING NUT	2		X X	M6
9	24M7100	WASHER	2		X X	6.600 X 22 X 2 MM
10	Z45733	HOOK BOLT	2		X X	
11	Z45731	ANGLE	1		X X	

2J13

SEPARATOR SHELL

ZX001043 -UN-21MAY96

LEFT-HAND REAR SEPARATOR SHIELD



ZX 001043

2J14

SEPARATOR SHELL

LEFT-HAND REAR SEPARATOR SHIELD - CONTINUED

KEY	PART NO.	PART NAME	QTY	SERIAL NO.	4 4 4 3 4 5 3 H 5 Y	REMARKS
1	AZ23252	HOLDER	1		X X	
2	AZ23251	HOLDER	1		X X	
3	AZ29807	GUARD	1		X X	
4	Z40237	SHEET	1		X X	
5	Z34374	HOLDER	1		X X	LOW
6	Z34375	HOLDER	1		X X	UP
7	AZ23253	LATCH	1		X X	
8	Z34136	PIN	1		X X	
9	21M7031	SCREW	AR		X X	M6 X 15
10	21M7085	SCREW	AR		X X	M6 X 20
11	21M7089	SCREW	AR		X X	M8 X 20
12	19M7159	CAP SCREW	AR		X X	M6 X 15
13	19M7139	CAP SCREW	AR		X X	M8 X 20
14	19M7288	CAP SCREW	AR		X X	M8 X 30
15	19M7171	CAP SCREW	1		X X	M12 X 35
16	Z26250	WASHER	AR		X X	
17	24M7036	WASHER	AR		X X	9 X 16 X 1.600 MM
18	12M7012	LOCK WASHER	AR		X X	6.100 MM
19	12M7008	LOCK WASHER	AR		X X	8.100 MM
20	14M7027	NUT	AR		X X	M6
21	14M7029	NUT	AR		X X	M8
22	14M7168	LOCK NUT	1		X X	M12
23	Z34887	REINFORCEMENT	1		X X	FOR CHOPPER ONLY
	Z48084	SIDE WALL	1		X X	FOR STRAW SPREADER ONLY
24	14M7166	LOCK NUT	1		X X	M8
25	Z34880	GUARD	1		X X	
26	AZ29806	GUARD	1		X X	

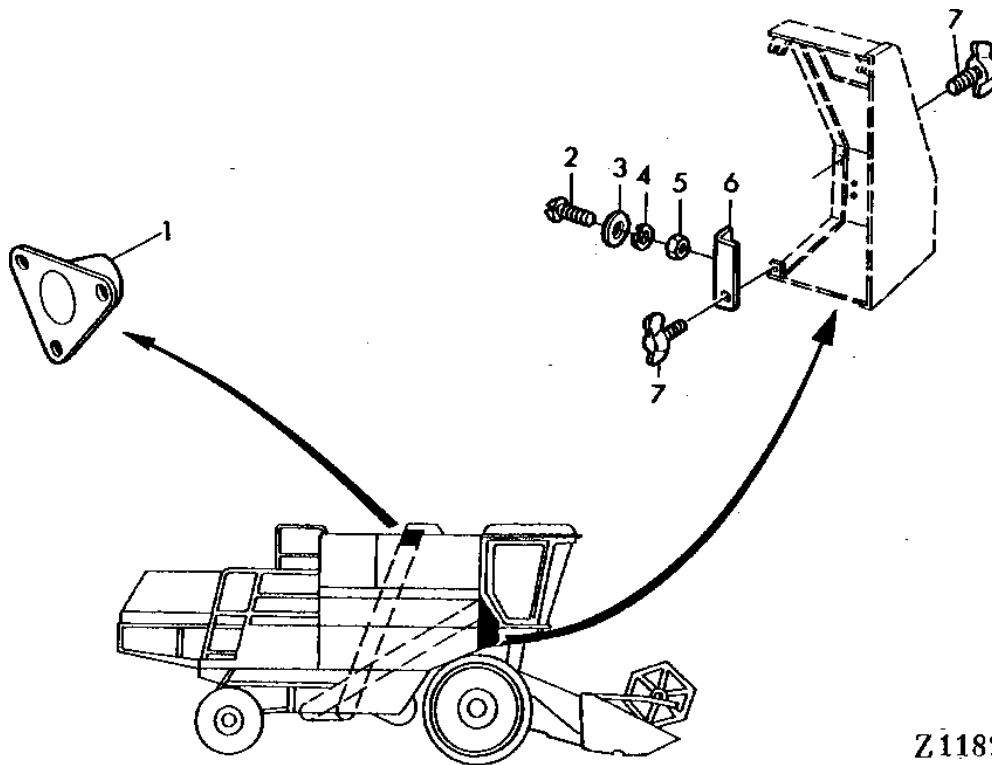
2J15

SEPARATOR SHELL

Z118224

-UN-01JAN94

HEADER LIFT CYLINDER SAFETY STOP AND UPPER TAILINGS ELEVATOR GUARD



Z118224

2J16

SEPARATOR SHELL

HEADER LIFT CYLINDER SAFETY STOP AND UPPER TAILINGS ELEVATOR GUARD - CONTINUED

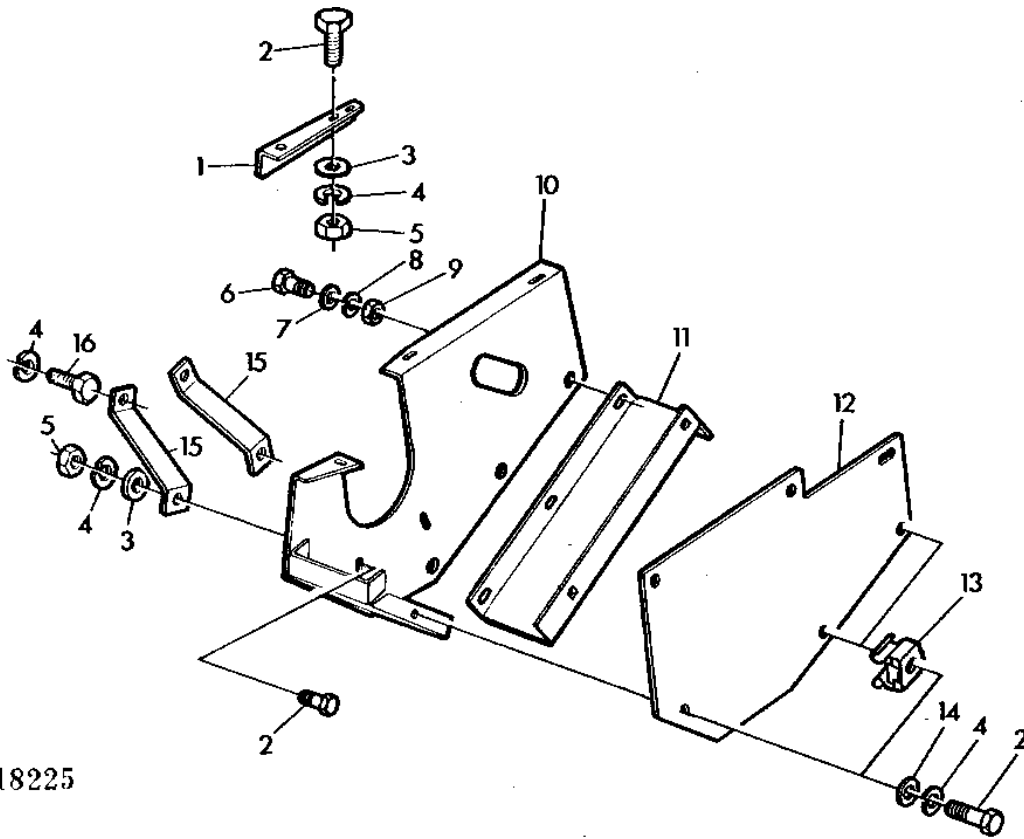
KEY	PART NO.	PART NAME	QTY	SERIAL NO.	4 4 4 3 4 5 3 H 5 Y	REMARKS
1	Z38381	GUARD	1		X X	
2	21M7031	SCREW	AR		X X	M6 X 15
3	24M7088	WASHER	AR		X X	6.600 X 12 X 1.600 MM
4	12M7012	LOCK WASHER	AR		X X	6.100 MM
5	14M7027	NUT	AR		X X	M6
6	Z45011	ANGLE	1		X X	
7	21M7208	WING SCREW	AR		X X	M8 X 12

2J17

SEPARATOR SHELL

Z118225 -UN-01JAN94

LOWER DRIVE GUARDS, LEFT-HAND



Z118225

2J18

SEPARATOR SHELL

LOWER DRIVE GUARDS, LEFT-HAND - CONTINUED

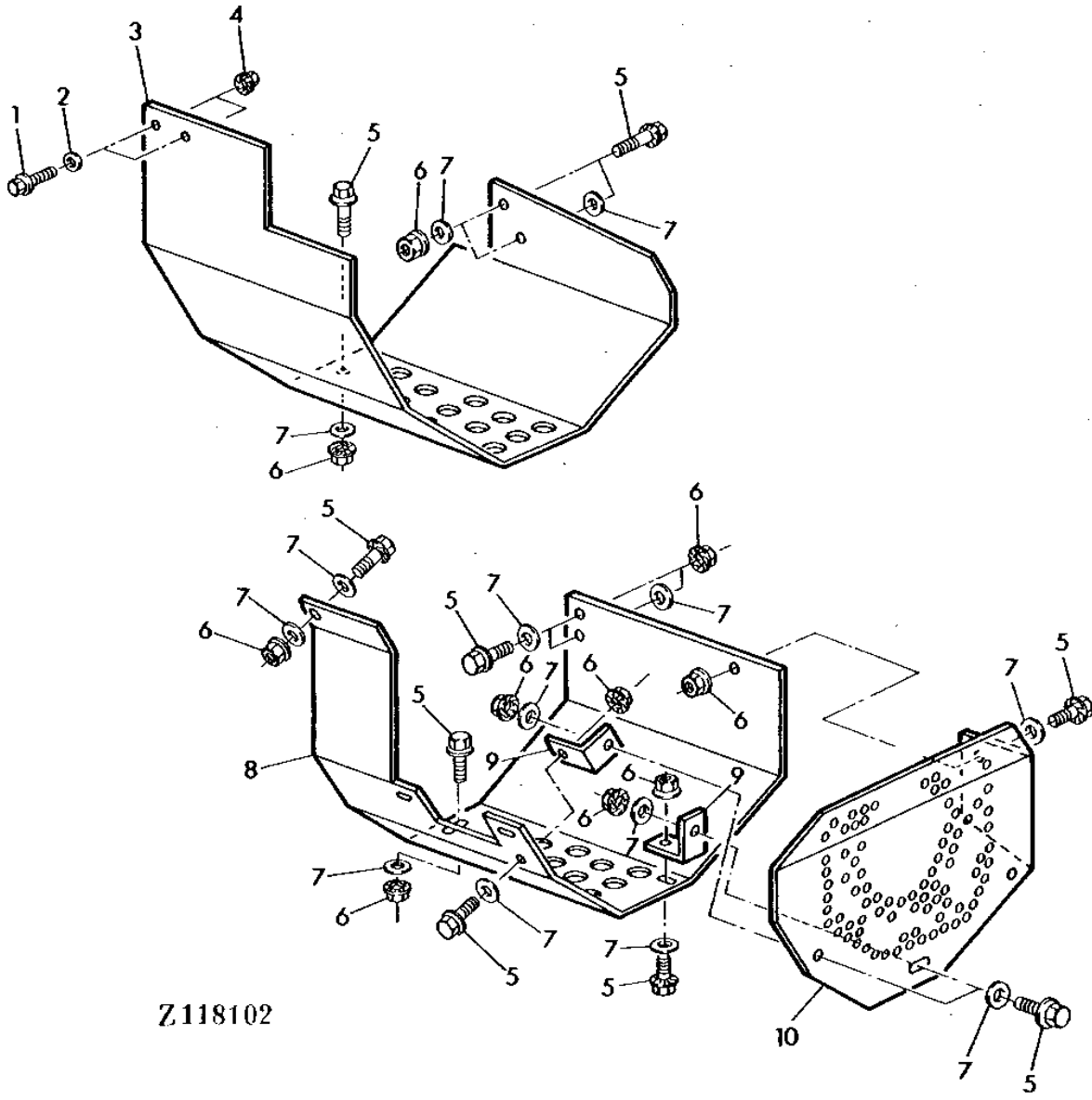
KEY	PART NO.	PART NAME	QTY	SERIAL NO.	4 4 4 3 4 5 3 H 5 Y	REMARKS
1	Z34611	ANGLE	1		X	
2	19M7139	CAP SCREW	AR		X	M8 X 20
3	24M7036	WASHER	AR		X	9 X 16 X 1.600 MM
4	12M7008	LOCK WASHER	AR		X	8.100 MM
5	14M7029	NUT	AR		X	M8
6	19M7159	CAP SCREW	3		X	M6 X 15
7	24M7088	WASHER	3		X	6.600 X 12 X 1.600 MM
8	12M7012	LOCK WASHER	3		X	6.100 MM
9	14M7027	NUT	3		X	M6
10	AZ23692	GUARD	1		X	
11	Z34613	SHEET	1		X	
12	Z40680	SHEET	1		X	
13	AZ37770	LOCK NUT	2		X	
14	24M7024	WASHER	AR		X	9 X 28 X 3 MM
15	Z34615	BRACE	2		X	
16	19H1905	CAP SCREW	2		X	5/16" X 1"

2J19

SEPARATOR SHELL

Z118102 -UN-01JAN94

CLEANING FANG GUARDS, STANDARD



Z118102

2J20

SEPARATOR SHELL

CLEANING FAN GUARDS, STANDARD - CONTINUED

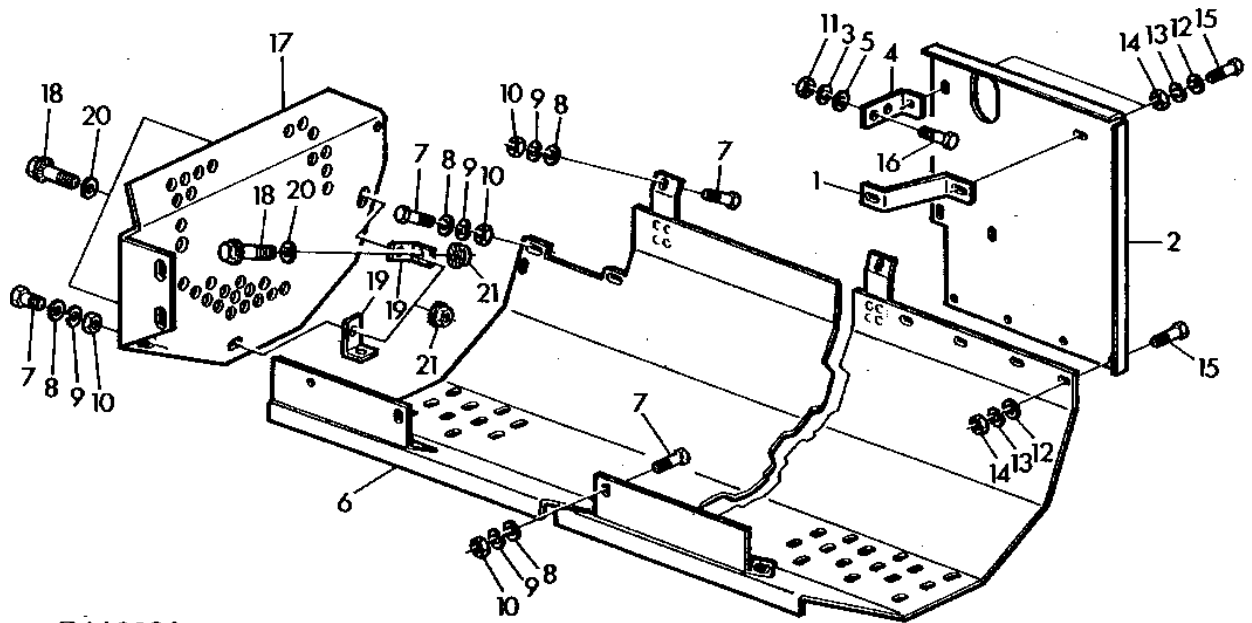
KEY	PART NO.	PART NAME	QTY	SERIAL NO.	4 4 4 3 4 5 3 H 5 Y	REMARKS
1	19M8363	CAP SCREW	AR		X X	M6 X 20
2	24M7100	WASHER	AR		X X	6.600 X 22 X 2 MM
3	Z53071	GUARD	1		X X	R.H.
4	Z41039	NUT	AR		X X	
5	19M8367	CAP SCREW	AR		X X	M8 X 25
6	14M7416	FLANGE NUT	AR		X X	M8
7	24M7024	WASHER	AR		X X	9 X 28 X 3 MM
8	Z53072	GUARD	1		X X	L.H.
9	Z36391	ANGLE	2		X X	
10	Z53073	SIDE WALL	1		X	L.H., (SUB Z55607)
	Z55607	GUARD	1		X X	L.H.

2J21

SEPARATOR SHELL

Z118226 -UN-01JAN94

CLEANING FAN GUARDS FOR CORN EQUIPMENT



Z118226

2J22

SEPARATOR SHELL

CLEANING FAN GUARDS FOR CORN EQUIPMENT - CONTINUED

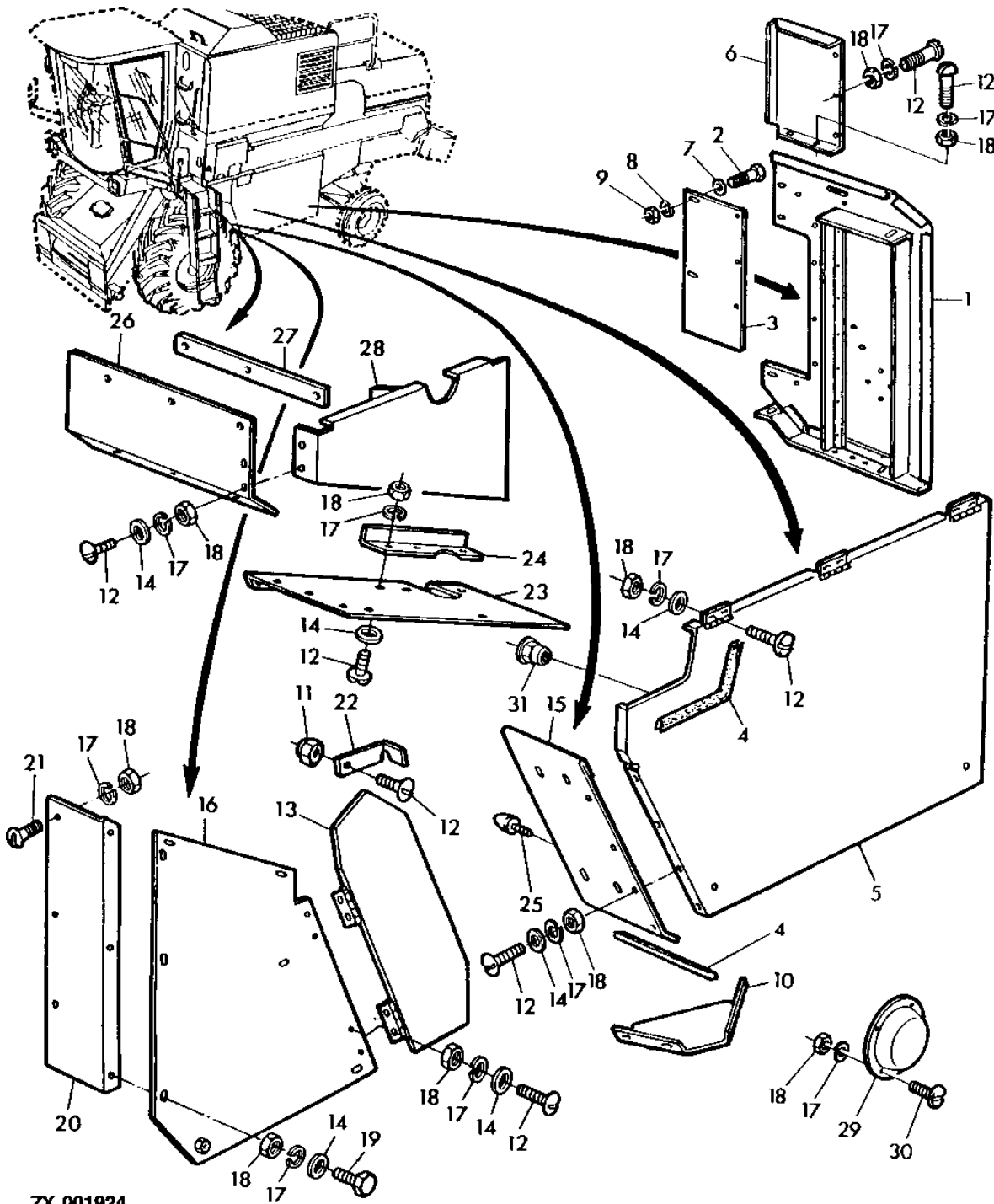
KEY	PART NO.	PART NAME	QTY	SERIAL NO.	4 4 4 3 4 5 3 H 5 Y	REMARKS
1	Z51544	BRACE	1		X X	
2	Z51545	GUARD	1		X X	R.H.
3	12M7013	LOCK WASHER	AR		X X	10.200 MM
4	Z46385	ANGLE	1		X X	
5	24M7040	WASHER	AR		X X	11 X 20 X 2 MM
6	AZ37199	GUARD	1		X X	
7	19M7139	CAP SCREW	AR		X X	M8 X 20
8	24M7036	WASHER	AR		X X	9 X 16 X 1.600 MM
9	12M7008	LOCK WASHER	AR		X X	8.100 MM
10	14M7029	NUT	AR		X X	M8
11	14M7140	NUT	AR		X X	M10
12	Z26250	WASHER	AR		X X	
13	12M7012	LOCK WASHER	AR		X X	6.100 MM
14	14M7027	NUT	AR		X X	M6
15	19M7159	CAP SCREW	AR		X X	M6 X 15
16	19M7166	CAP SCREW	AR		X X	M10 X 20
17	Z53073	SIDE WALL	1		X	L.H., (SUB Z55607)
	Z55607	GUARD	1		X X	L.H.
18	19M8308	CAP SCREW	4		X X	M8 X 20
19	Z36391	ANGLE	2		X X	
20	24M7024	WASHER	4		X X	9 X 28 X 3 MM
21	14M7416	FLANGE NUT	4		X X	M8

2J23

SEPARATOR SHELL

ZX001924 -UN-01JAN94

FRONT SEPARATOR SHIELDS, LEFT-HAND



2J24

SEPARATOR SHELL

FRONT SEPARATOR SHIELDS, LEFT-HAND - CONTINUED

KEY	PART NO.	PART NAME	QTY	SERIAL NO.	4 4 4 3 4 5 3 H 5 Y	REMARKS
1	AZ40070	SIDE WALL	1		X X	
2	19M7139	CAP SCREW	AR		X X	M8 X 20
3	Z47469	SHEET	1		X X	AR
4	Z40677	GUARD	2		X X	438MM (17.24")LONG
5	AZ30074	DOOR	1		X	
	AZ42419	DOOR	1		X	
6	Z47787	SIDE WALL	1		X X	AR
7	24M7036	WASHER	AR		X X	9 X 16 X 1.600 MM
8	12M7008	LOCK WASHER	AR		X X	8.100 MM
9	14M7029	NUT	AR		X X	M8
10	Z40939	REINFORCEMENT	2	-051839	X	
	Z53164	RETAINER	1	051840-	X	
	Z40939	REINFORCEMENT	2		X	
11	14M7165	LOCK NUT	AR		X X	M6
12	21M7031	SCREW	AR		X X	M6 X 15
13	AZ30649	DOOR	1		X X	
14	24M7088	WASHER	AR		X X	6.600 X 12 X 1.600 MM
15	Z40938	GUARD	1		X X	
16	AZ30196	SIDE WALL	1		X X	
17	12M7012	LOCK WASHER	AR		X X	6.100 MM
18	14M7027	NUT	AR		X X	M6
19	19M6614	CAP SCREW	AR		X X	M6 X 12
20	AZ34614	GUARD	1		X X	(SUB AZ45431)
	AZ45431	GUARD	1		X X	
21	21M7127	SCREW	AR		X X	M6 X 18
22	Z40690	HOLDER	1		X X	
23	Z40802	SHIELD	1		X X	
24	Z40781	ANGLE	1		X X	
25	AZ30477	BUMPER	1		X X	
26	Z40801	SHEET	1		X X	
27	Z41025	STRAP	AR		X X	
28	AZ30194	SIDE WALL	1		X X	
29	Z53418	SHIELD	1		X	(FOR AZ42419)
30	21M7087	SCREW	AR		X	M6 X 12
31	Z51633	NUT	2		X X	

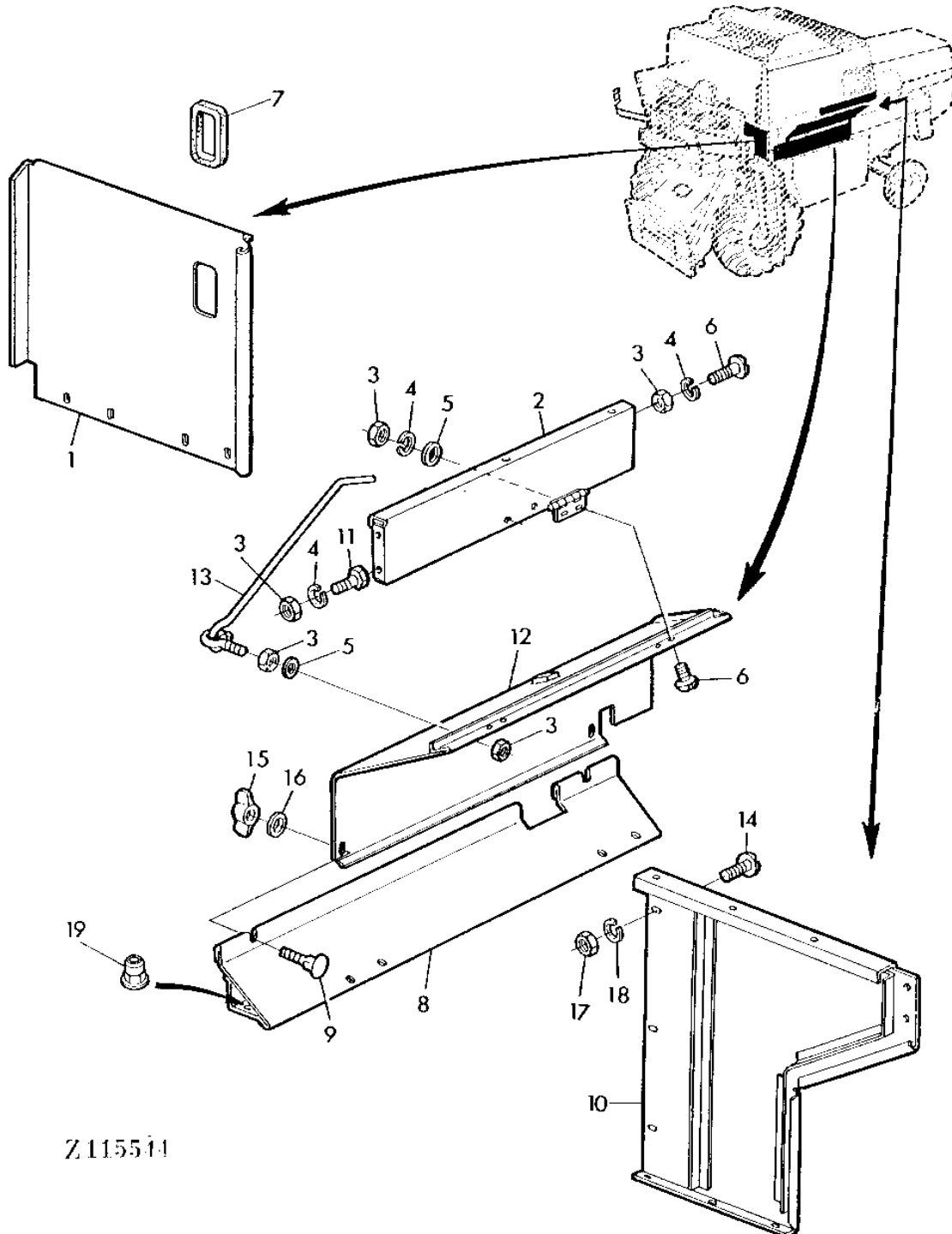
2K1

SEPARATOR SHELL

Z115544

-UN-01JAN94

SEPARATOR SHIELDS - UPPER, LEFT-HAND



Z115544

2K2

SEPARATOR SHELL

SEPARATOR SHIELDS - UPPER, LEFT-HAND - CONTINUED

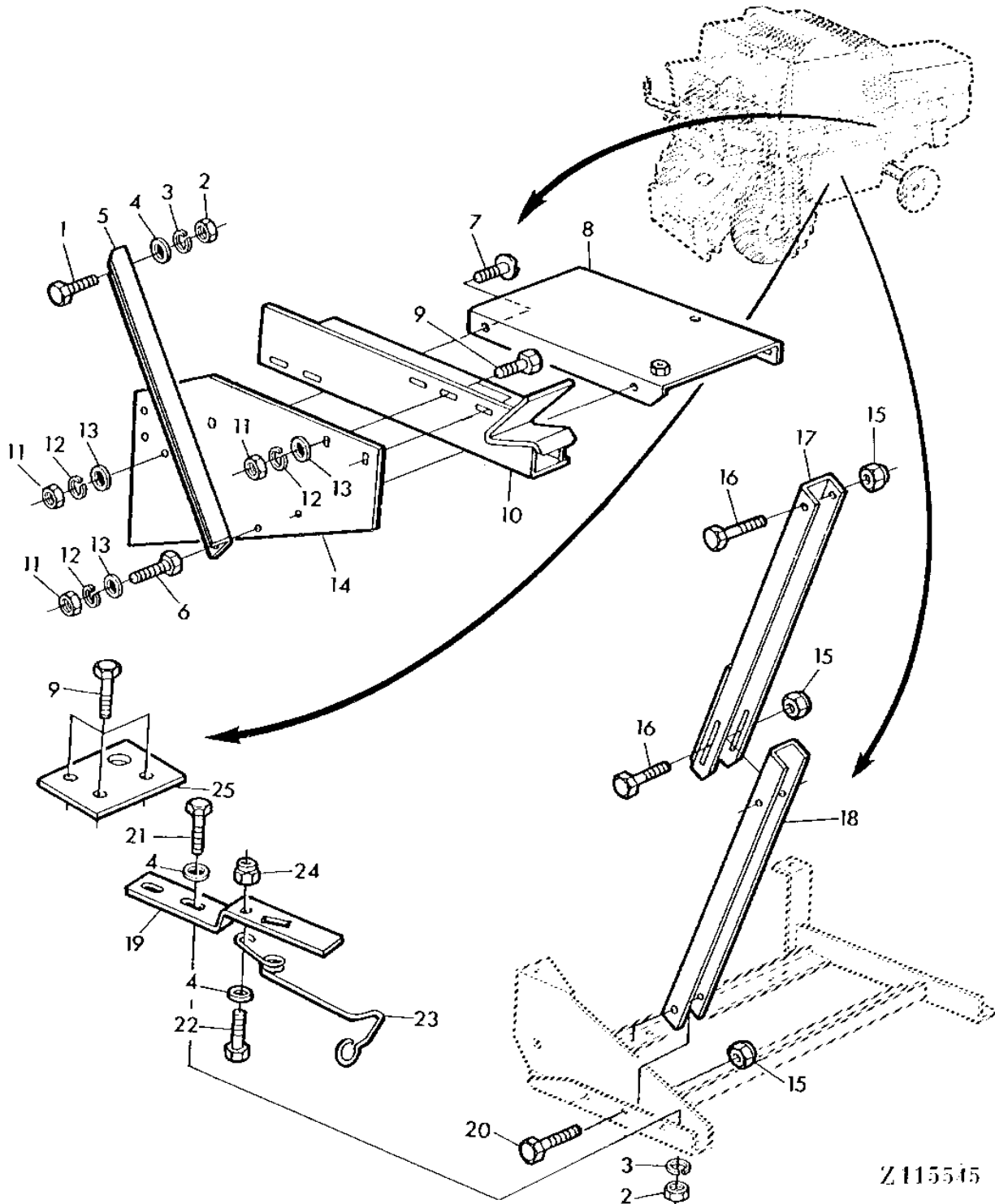
KEY	PART NO.	PART NAME	QTY	SERIAL NO.	4 4 4 3 4 5 3 H 5 Y	REMARKS
1	Z40803	SHEET	1		X X	
2	AZ40069	SHEET	1		X X	
3	14M7027	NUT	AR		X X	M6
4	12M7012	LOCK WASHER	AR		X X	6.100 MM
5	24M7088	WASHER	AR		X X	6.600 X 12 X 1.600 MM
6	21M7031	SCREW	AR		X X	M6 X 15
7	R20759	GROMMET	1		X X	
8	AZ40681	SUPPORT	1		X X	
9	03M7093	BOLT	AR		X X	M8 X 25
10	AZ30555	SIDE WALL	1		X X	
11	19M7159	CAP SCREW	AR		X X	M6 X 15
12	Z51810	SHIELD	1		X X	
13	AZ40680	ROD	1		X X	
14	21M7081	SCREW	AR		X X	M8 X 15
15	14M7020	WING NUT	AR		X X	M8
16	24M7036	WASHER	AR		X X	9 X 16 X 1.600 MM
17	14M7029	NUT	AR		X X	M8
18	12M7008	LOCK WASHER	AR		X X	8.100 MM
19	Z51801	NUT	AR		X X	

2K3

SEPARATOR SHELL

Z115545 -UN-01JAN94

LEFT-HAND SHIELD BRACKET



Z115545

2K4

SEPARATOR SHELL

LEFT-HAND SHIELD BRACKET - CONTINUED

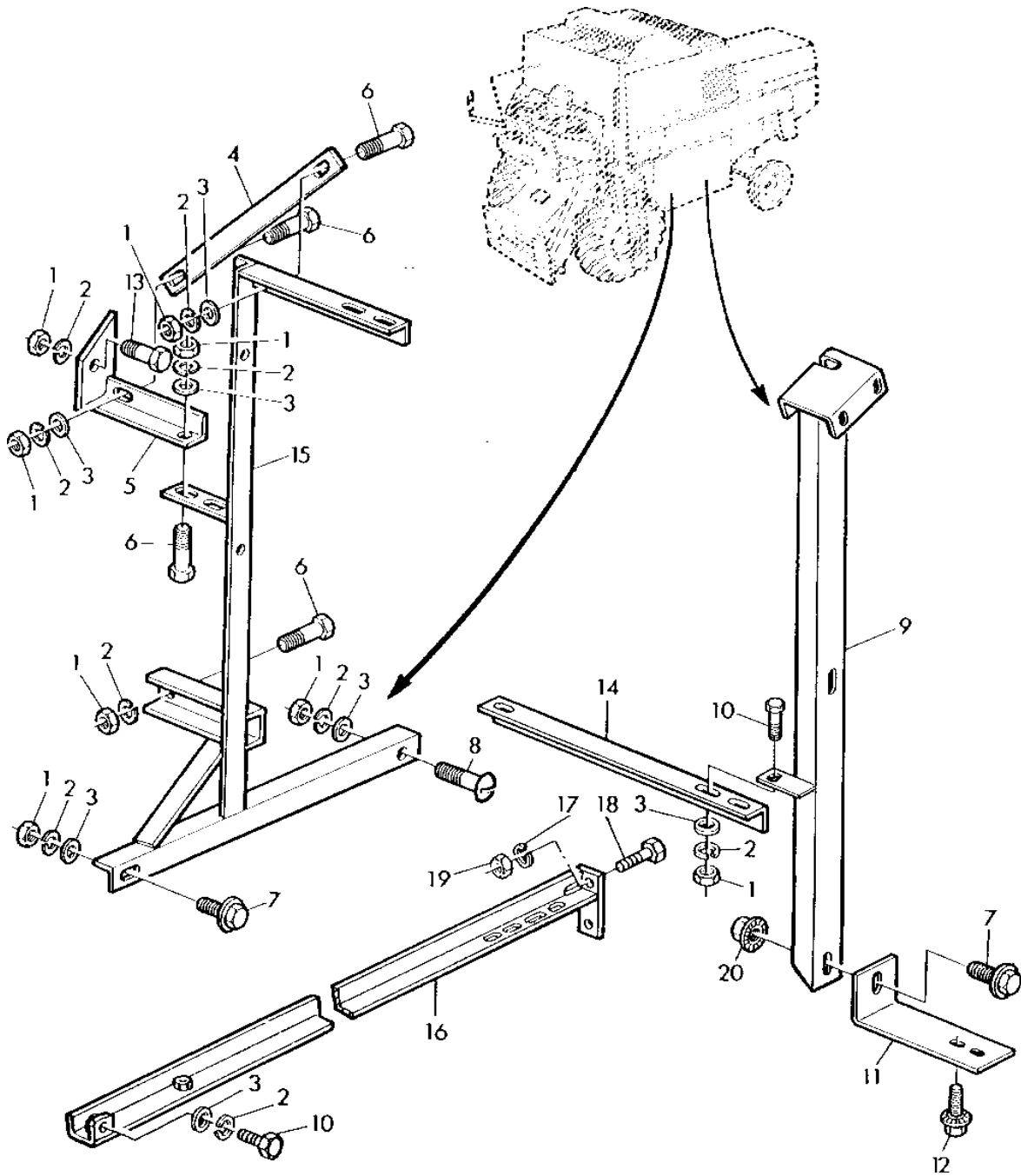
KEY	PART NO.	PART NAME	QTY	SERIAL NO.	5 Y	REMARKS
					4	
					4	
					4 3	
					4 5	
					3 H	
					5 Y	
1	19M7376	CAP SCREW	AR		X X	M8 X 22
2	14M7029	NUT	AR		X X	M8
3	12M7008	LOCK WASHER	AR		X X	8.100 MM
4	24M7036	WASHER	AR		X X	9 X 16 X 1.600 MM
5	Z40722	ANGLE	1		X X	
6	19M7381	CAP SCREW	AR		X X	M10 X 28
7	21M7162	SCREW	AR		X X	M10 X 20
8	AZ30064	SHEET	1		X X	
9	19M7167	CAP SCREW	AR		X X	M10 X 25
10	AZ30066	SUPPORT	1		X X	
11	14M7140	NUT	AR		X X	M10
12	12M7013	LOCK WASHER	AR		X X	10.200 MM
13	24M7040	WASHER	AR		X X	11 X 20 X 2 MM
14	Z40468	SHEET	1		X X	
15	14M7167	LOCK NUT	AR		X X	M10
16	19M7156	CAP SCREW	AR		X X	M10 X 60
17	AZ30076	BRACE	1		X X	
18	Z40496	CHANNEL	1		X X	
19	Z46168	RETAINER	1		X X	
20	19M7328	CAP SCREW	1		X X	M10 X 70
21	19M7513	CAP SCREW	AR		X X	M8 X 30
22	19M7376	CAP SCREW	AR		X X	M8 X 22
23	Z40640	SPRING	1		X X	
24	14M7166	LOCK NUT	AR		X X	M8
25	Z40970	STRAP	1		X X	

2K5

SEPARATOR SHELL

Z115631 -UN-01JAN94

LEFT-HAND SHIELD BRACKET



Z115631

2K6

SEPARATOR SHELL

LEFT-HAND SHIELD BRACKET - CONTINUED

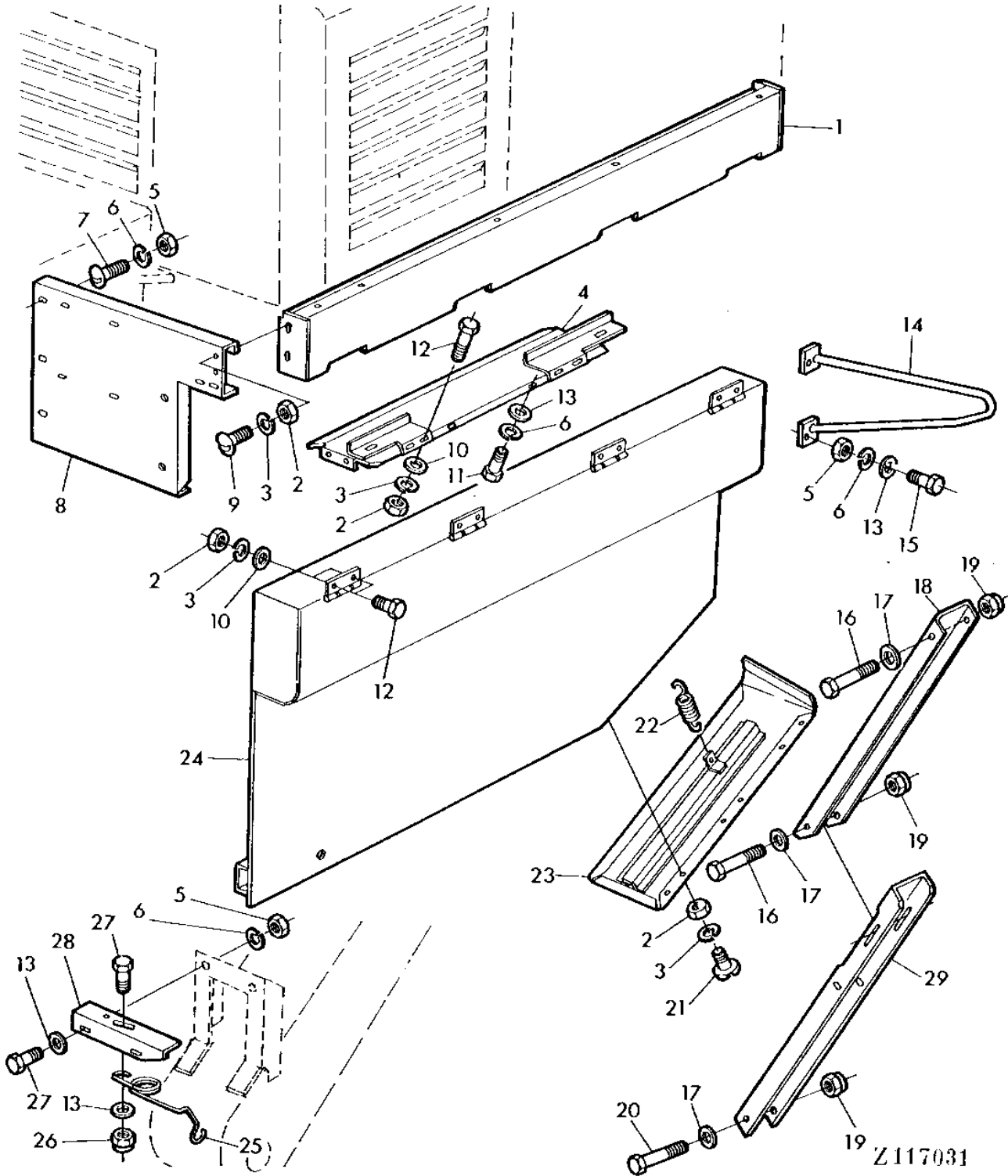
KEY	PART NO.	PART NAME	QTY	SERIAL NO.	4 4 4 3 4 5 3 H 5 Y	REMARKS
1	14M7029	NUT	AR		X X	M8
2	12M7008	LOCK WASHER	AR		X X	8.100 MM
3	24M7036	WASHER	AR		X X	9 X 16 X 1.600 MM
4	Z41024	STRAP	1		X X	
5	AZ30483	BRACE	1		X X	
6	19M7407	CAP SCREW	AR		X X	M8 X 25
7	19M8304	BOLT	1		X X	M10 X 20
8	21M7160	SCREW	AR		X X	M8 X 18
9	AZ40703	HOLDER	1		X X	
10	19M7139	CAP SCREW	AR		X X	M8 X 20
11	Z45100	ANGLE	1		X X	
12	19M8308	CAP SCREW	2		X X	M8 X 20
13	19M7163	CAP SCREW	AR		X X	M8 X 25
14	Z44722	BRACE	1		X X	
15	AZ30484	SUPPORT	1		X X	
16	AZ26541	RAIL	1		X X	
17	12M7012	LOCK WASHER	AR		X X	6.100 MM
18	19M7375	CAP SCREW	AR		X X	M6 X 18
19	14M7027	NUT	AR		X X	M6
20	14M7418	FLANGE NUT	1		X X	M10

2K7

SEPARATOR SHELL

Z117031 -UN-01JAN94

SEPARATOR MIDDLE SHIELD, RIGHT-HAND



2K8

SEPARATOR SHELL

SEPARATOR MIDDLE SHIELD, RIGHT-HAND - CONTINUED

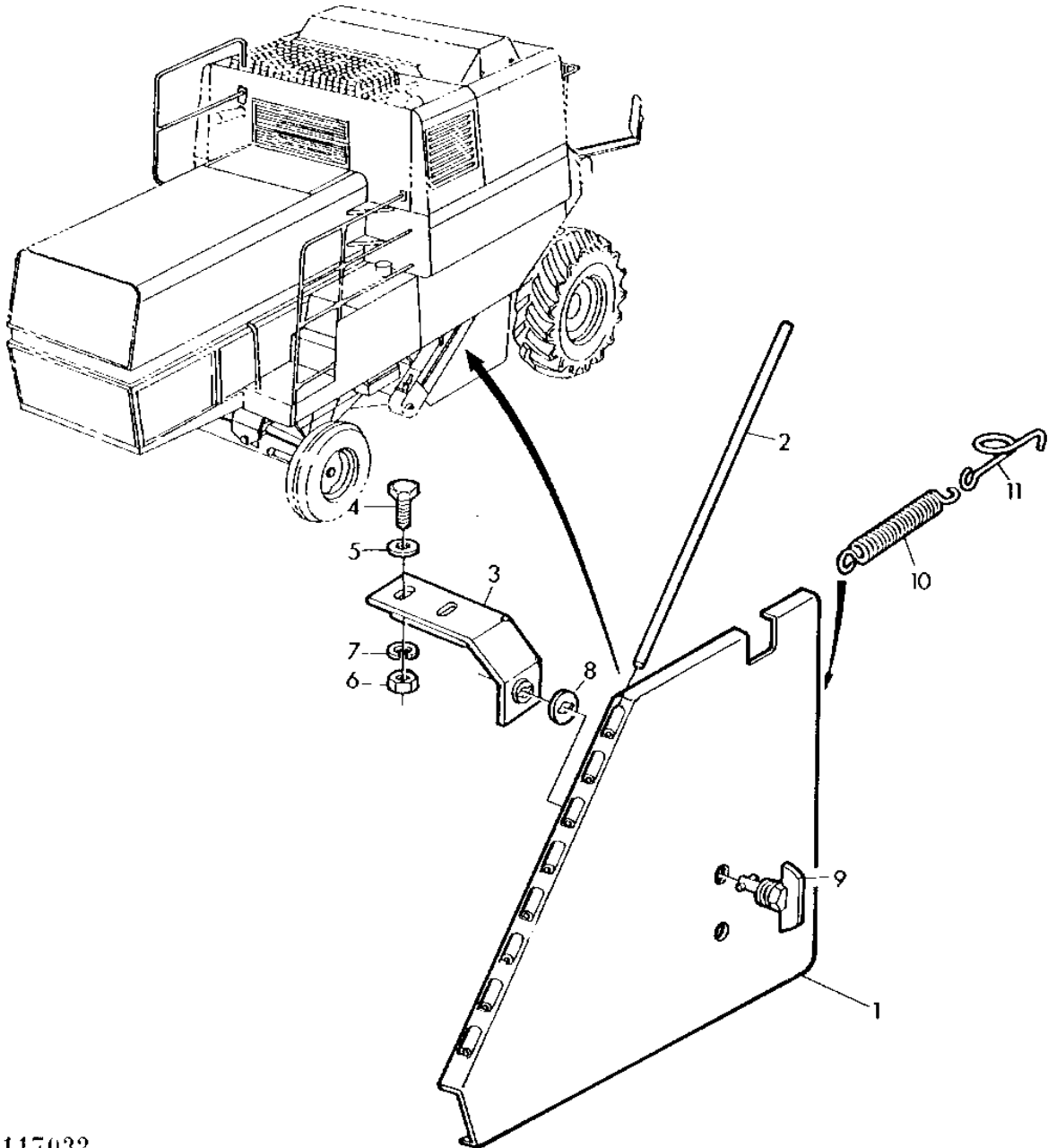
KEY	PART NO.	PART NAME	QTY	SERIAL NO.	REMARKS
					4
					4
					4 3
					4 5
					3 H
					5 Y
1	AZ29942	PANEL	1		X X
2	14M7027	NUT	AR		X X M6
3	12M7012	LOCK WASHER	AR		X X 6.100 MM
4	AZ29936	EXTENSION	1		X X
5	14M7029	NUT	AR		X X M8
6	12M7008	LOCK WASHER	AR		X X 8.100 MM
7	21M7081	SCREW	AR		X X M8 X 15
8	AZ37862	SIDE WALL	1		X X
9	21M7031	SCREW	AR		X X M6 X 15
10	24M7088	WASHER	AR		X X 6.600 X 12 X 1.600 MM
11	19M7284	CAP SCREW	AR		X X M8 X 18
12	19M7159	CAP SCREW	AR		X X M6 X 15
13	24M7036	WASHER	AR		X X 9 X 16 X 1.600 MM
14	AZ34493	BAIL	2		X X
15	19M3129	CAP SCREW	AR		X X M8 X 20
16	19M7327	CAP SCREW	AR		X X M10 X 65
17	24M7040	WASHER	AR		X X 11 X 20 X 2 MM
18	Z45278	CLEVIS	1		X X
19	14M7167	LOCK NUT	AR		X X M10
20	19M7329	CAP SCREW	1		X X M10 X 75
21	21M7087	SCREW	AR		X X M6 X 12
22	Z45564	EXTENSION SPRING	1		X X
23	AZ30430	SHEET	1		X X
24	AZ33861	FLAP	1		X X
25	Z40640	SPRING	2		X X
26	14M7166	LOCK NUT	AR		X X M8
27	19M7139	CAP SCREW	AR		X X M8 X 20
28	Z40641	HOLDER	2		X X (SUB Z55669)
	Z55669	SHEET	2		X X
29	Z45277	CLEVIS	1		X (SUB Z53293)
	Z53293	CHANNEL	1		X X

2K9

SEPARATOR SHELL

Z117032 -UN-01JAN94

SEPARATOR SHIELD, RIGHT-HAND LOWER



Z117032

2K10

SEPARATOR SHELL

SEPARATOR SHIELD, RIGHT-HAND LOWER - CONTINUED

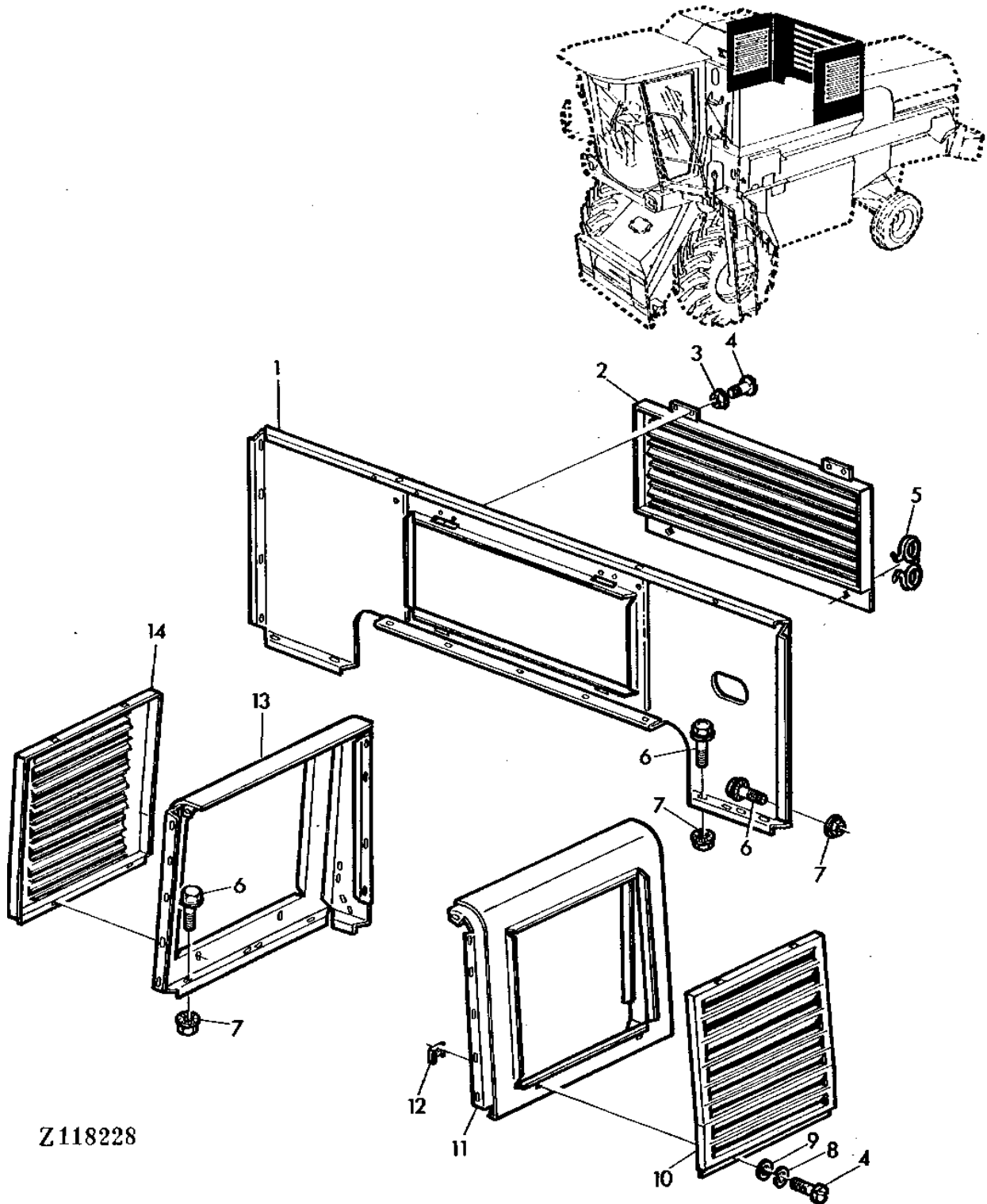
KEY	PART NO.	PART NAME	QTY	SERIAL NO.	4 4 4 3 4 5 3 H 5 Y	REMARKS
1	AZ36952	DOOR	1		X X	
2	Z20277	PIN	1		X X	
3	AZ36959	RETAINER	1		X X	
4	19M7077	CAP SCREW	AR		X X	M6 X 20
5	Z26250	WASHER	AR		X X	
6	14M7027	NUT	AR		X X	M6
7	12M7012	LOCK WASHER	AR		X X	6.100 MM
8	Z34136	WASHER	1		X X	
9	AZ23253	LATCH	1		X X	
10	Z25462	EXTENSION SPRING	1		X X	
11	Z34398	HOOK	1		X X	

2K11

SEPARATOR SHELL

Z118228 -UN-01JAN94

ENGINE COMPARTMENT SHEETS



Z118228

2K12

SEPARATOR SHELL

ENGINE COMPARTMENT SHEETS - CONTINUED

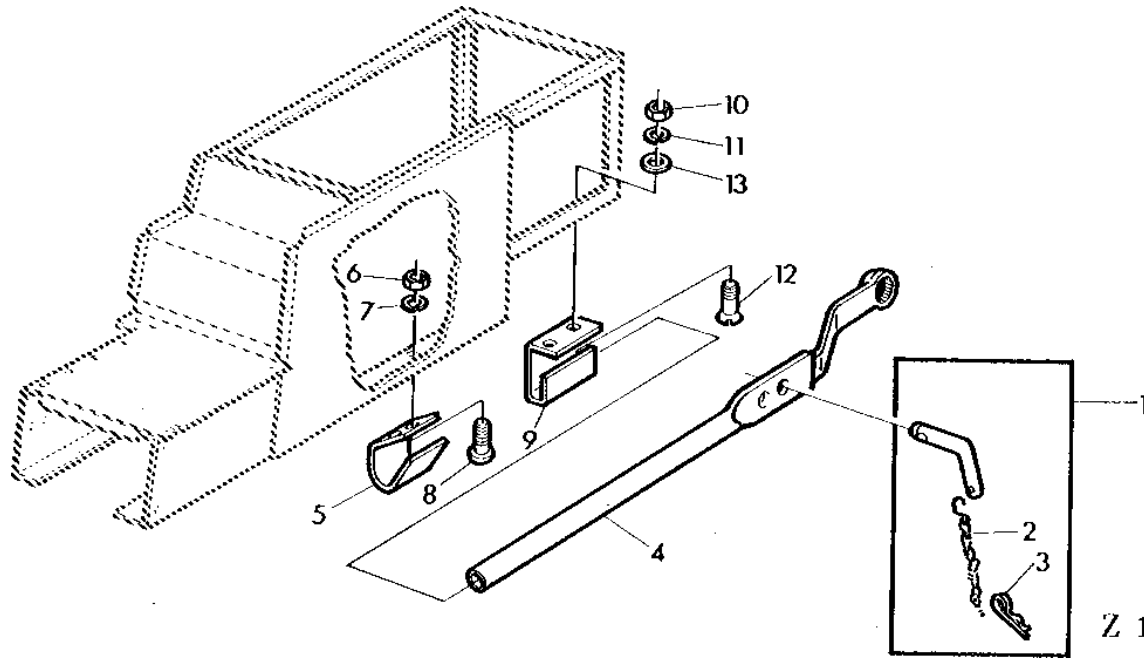
KEY	PART NO.	PART NAME	QTY	SERIAL NO.	4 4 4 3 4 5 3 H 5 Y	REMARKS
1	Z47281	PANEL	1		X X	
2	AZ37621	PANEL	1		X X	
3	Z41039	NUT	AR		X X	
4	21M7127	SCREW	AR		X X	M6 X 18
5	E54646	LATCH	2		X X	
6	Z43398	SELF-LOCKING SCREW	AR		X X	
7	14M7416	FLANGE NUT	AR		X X	M8
8	12M7012	LOCK WASHER	AR		X X	6.100 MM
9	24M7088	WASHER	AR		X X	6.600 X 12 X 1.600 MM
10	Z47275	PANEL	1		X X	
11	AZ37623	PANEL	1		X X	
12	AZ37622	NUT	AR		X X	
13	AZ37625	PANEL	1		X	
	AZ42322	PANEL	1		X	
14	Z47275	PANEL	1		X	
	AZ42326	GUARD	1		X	

2K13

SEPARATOR SHELL

Z109352 -UN-01JAN94

PLUGGED CYLINDER TOOL



Z 109352

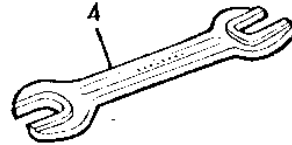
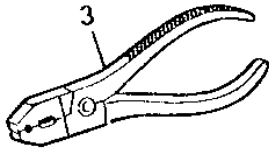
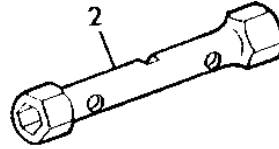
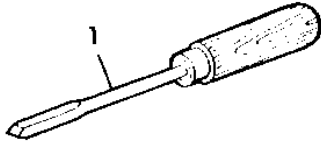
KEY	PART NO.	PART NAME	QTY	SERIAL NO.	REMARKS
				4	
				4	
				4 3	
				4 5	
				3 H	
				5 Y	
1	AZ34886	PIN	1	X X	
2	AZ12018	LINK CHAIN	2	X X	
3	L18950	CLIP	1	X X	
4	AZ34511	TOOL	1	X X	
5	Z44272	HOLDER	1	X X	
6	14M7027	NUT	2	X X	M6
7	12M7012	LOCK WASHER	2	X X	6.100 MM
8	21M7127	SCREW	2	X X	M6 X 18
9	Z44273	HOLDER	1	X X	
10	14M7140	NUT	2	X X	M10
11	12M7013	LOCK WASHER	2	X X	10.200 MM
12	21M7162	SCREW	2	X X	M10 X 20
13	24M7028	WASHER	3	X X	10.500 X 20 X 2 MM

2K14

SEPARATOR SHELL

Z107872 -UN-01JAN94

TOOLS



Z 107872

4
4
4 3
4 5
3 H
5 Y

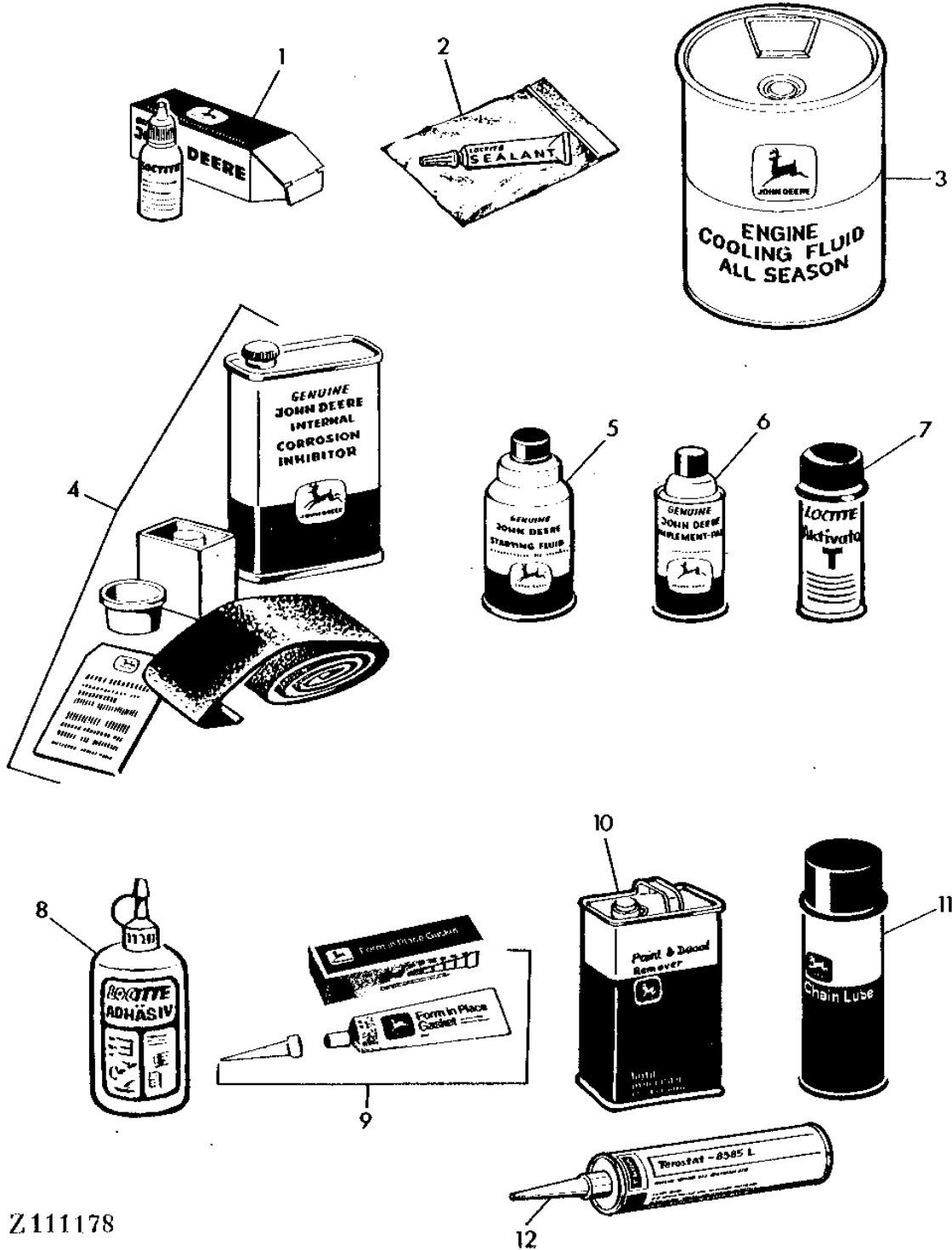
KEY	PART NO.	PART NAME	QTY	SERIAL NO.	REMARKS
1	AZ12802	SCREWDRIVER	1		X X A1
2	31M5217	TOOL	1		X X 19 X 22
3	AZ12801	TOOL	1		X X
4	31M6768	WRENCH	1		X X 10 X 13
	31M5223	WRENCH	1		X X 14 X 17
	31M5224	WRENCH	1		X X 17 X 19
	31M5226	WRENCH	1		X X 19 X 24
	31M5228	WRENCH	1		X X 24 X 27
	31M6439	WRENCH	1		X X 30 X 36

2K15

SEPARATOR SHELL

Z111178 -UN-01JAN94

COMBINE MAINTENANCE PRODUCTS



Z111178

2K16

SEPARATOR SHELL

COMBINE MAINTENANCE PRODUCTS - CONTINUED

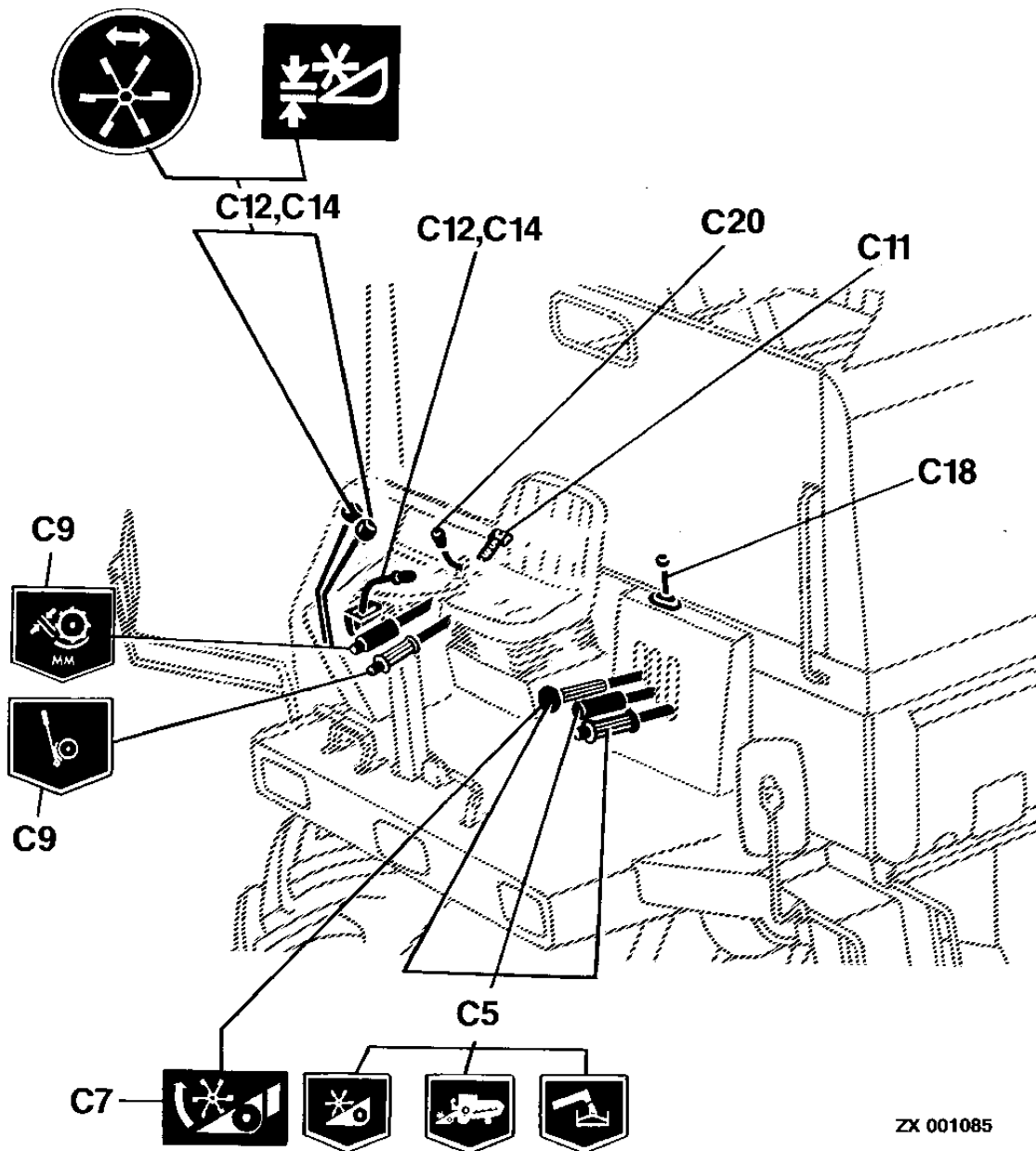
KEY	PART NO.	PART NAME	QTY	SERIAL NO.	REMARKS
					4
					4
					4 3
					4 5
					3 H
					5 Y
1	AT14264	SEALANT	AR	X X	HIGH VISCOSITY,LOCTITE SEALANT, 59CCM (2FL.02) PKG. OF (5)
	AT26340	SEALANT	AR	X X	LOW VISCOSITY,LOCTITE SEALANT, 59CCM (2FL.02) PKG. OF (5)
2	AT14927	SEALANT	AR	X X	HIGH VISCOSITY,LOCTITE SEALANT, 2CCM PKG. OF (10)
3	DD14134	COOLANT	AR	X X	5L, (1,3 U.S. GAL)
	DD14135	COOLANT	AR	X X	20L, (5,3 U.S. GAL)
	DD14135	COOLANT	AR	X X	60L, (15,9 U.S. GAL)
	DD14137	COOLANT	AR	X X	210L, (55,5 U.S. GAL)
4	AR41785	KIT	AR	X X	KIT
5	RE33636	STARTING FLUID	AR	X X	PKG. OF (12)
6	L94772	PAINT	AR	X X	GREEN
	L94750	PAINT	1	X X	BLACK
7	AL25914	ACTIVATOR	1	X X	
8	AL25913	ADHESIVE	1	X X	
9	TY15130	SEALANT	1	X X	3 OZ, 90 G
10	L94741	PAINT	1	X X	(1L.) GREEN
	L94743	PAINT	1	X X	(1L.) YELLOW
11	TY6240	LUBRICANT	AR	X X	15 OZ, PKG. OF (12)
12	L41074	SEALANT	1	X X	TEROSTAT, 310CCMM

3B4

SECTIONAL PICTORIAL INDEX

XX
XX
XX
XX
XX
XX

ZX001085 -UN-02AUG96



ZX 001085

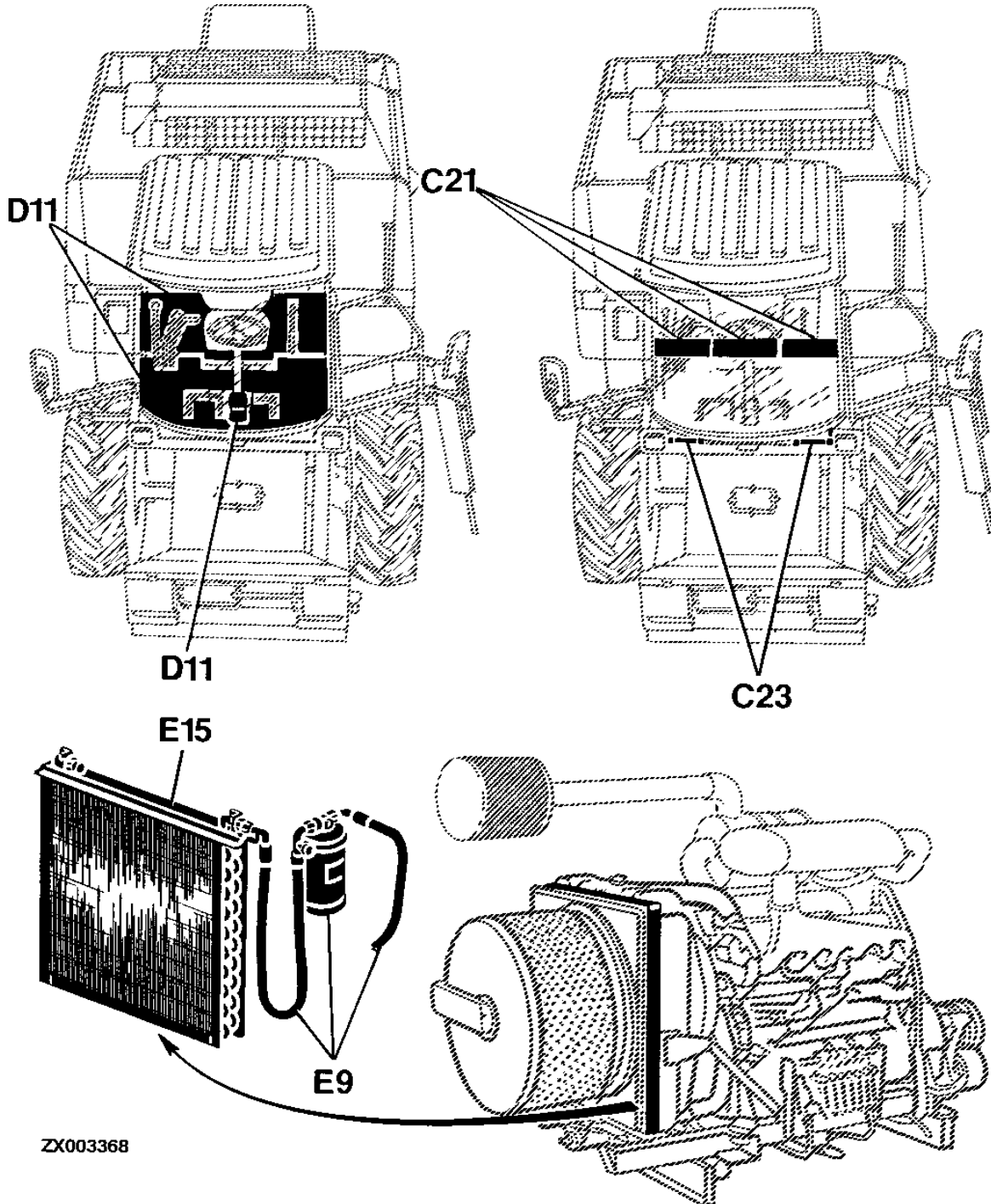
3B5

OPERATOR'S STATION

SECTIONAL PICTORIAL INDEX

XX
 XX
 XX
 XX
 XX
 XX
 XX
 XX
 XX
 XX

ZX003368 -UN-02FEB94



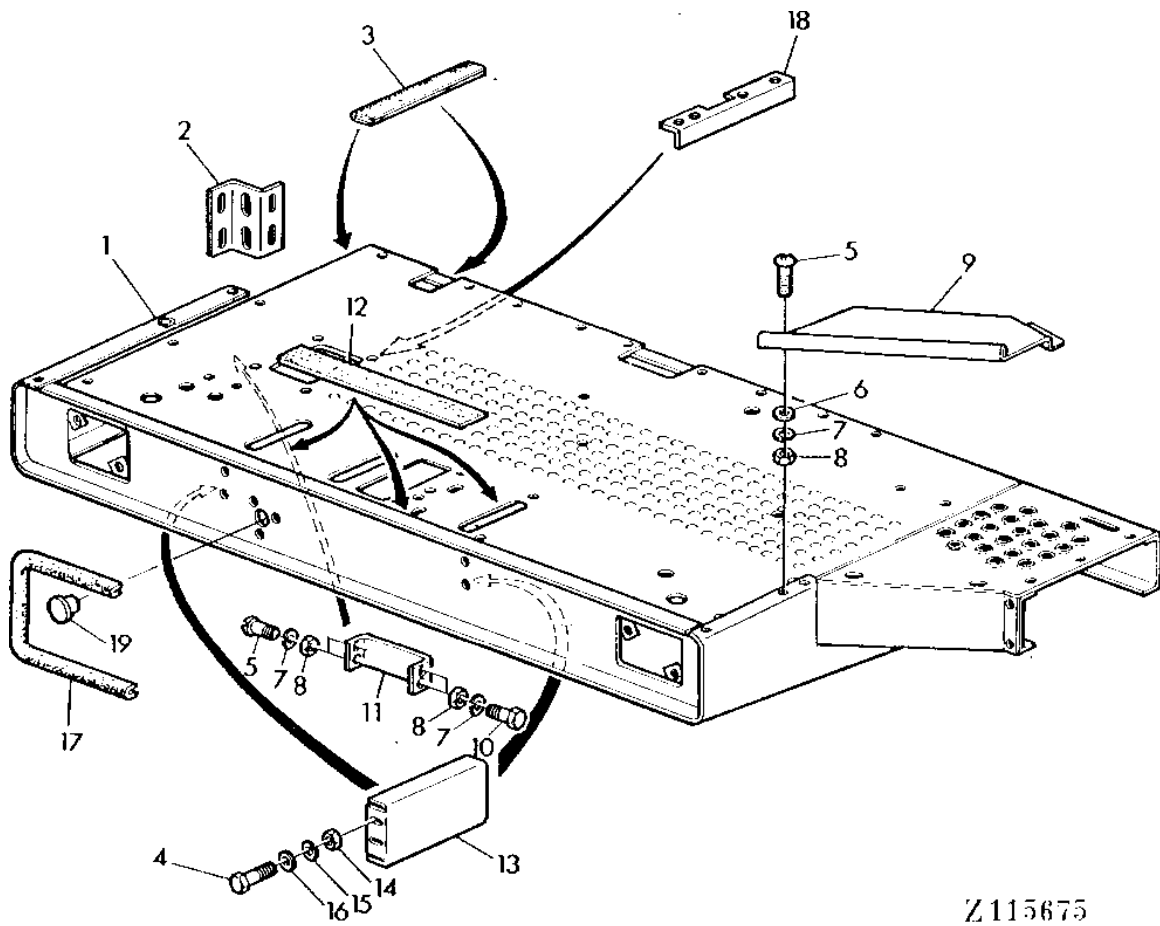
MEMORANDA

3B8

OPERATOR'S STATION

Z115675 -UN-01JAN94

OPERATOR'S PLATFORM



Z115675

3B9

OPERATOR'S STATION

OPERATOR'S PLATFORM - CONTINUED

KEY	PART NO.	PART NAME	QTY	SERIAL NO.	4 4 4 3 4 5 3 H 5 Y	REMARKS
1	AZ36807	PLATFORM	1		X X	
2	Z33696	REINFORCEMENT	1		X X	
3	Z40677	GUARD	2		X X	
4	19M7167	CAP SCREW	AR		X X	M10 X 25
5	21M7031	SCREW	AR		X X	M6 X 15
6	24M7261	WASHER	AR		X X	6.600 X 12 X 1.600 MM
7	12M7012	LOCK WASHER	AR		X X	6.100 MM
8	14M7027	NUT	AR		X X	M6
9	Z40509	GUARD	1		X X	
10	19M7159	CAP SCREW	AR		X X	M6 X 15
11	Z33697	HOLDER	1		X X	
12	Z34592	GUARD	2		X X	
13	Z43651	SUPPORT	2		X X	
14	14M7140	NUT	AR		X X	M10
15	12M7013	LOCK WASHER	AR		X X	10.200 MM
16	24M7040	WASHER	AR		X X	11 X 20 X 2 MM
17	Z37304	GUARD	1		X X	
18	Z44876	ANGLE	1		X X	
19	Z41514	PLUG	1		X X	

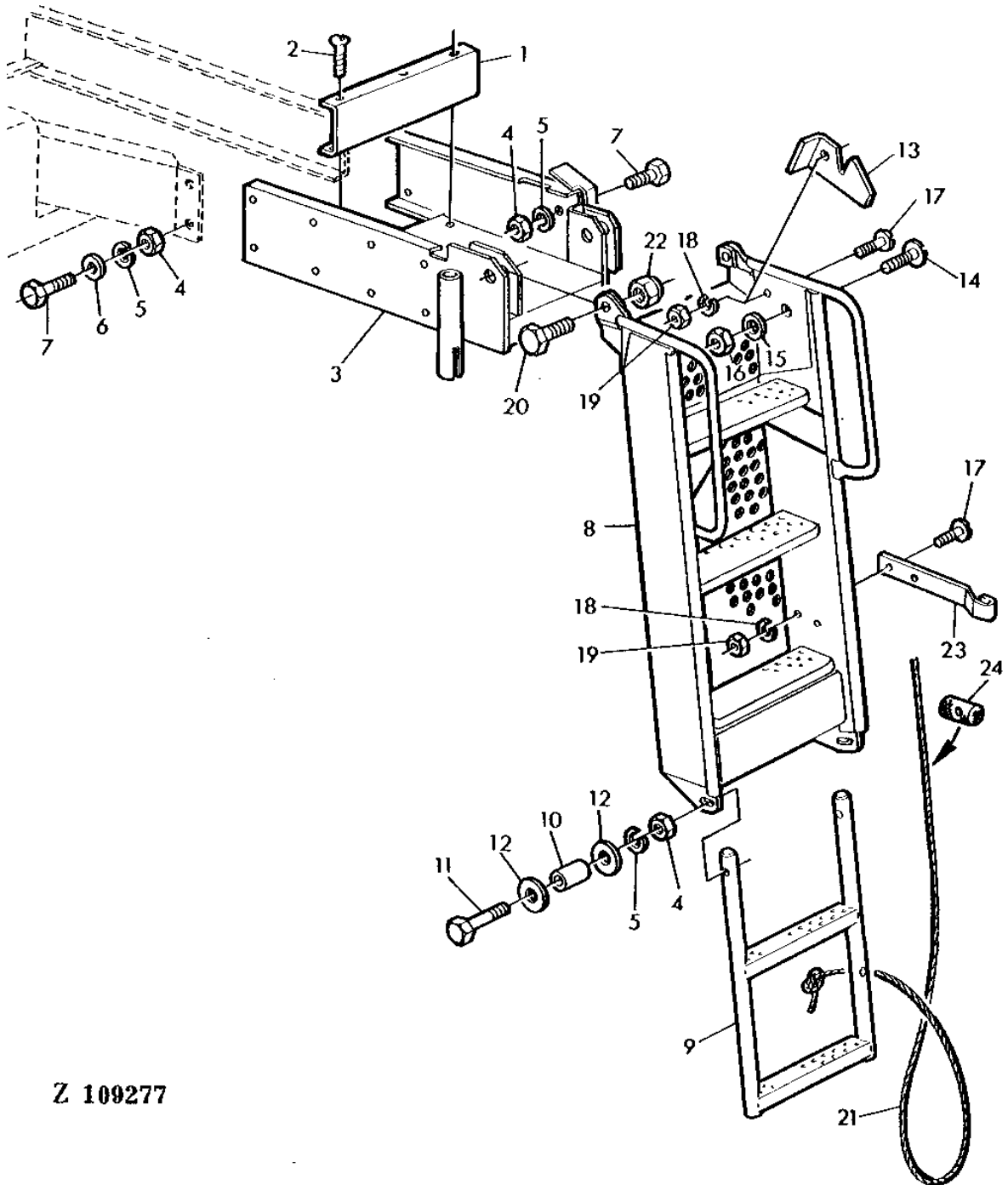
3B10

OPERATOR'S STATION

Z109277

-UN-01JAN94

OPERATOR'S PLATFORM LADDER



Z 109277

3B11

OPERATOR'S STATION

OPERATOR'S PLATFORM LADDER - CONTINUED

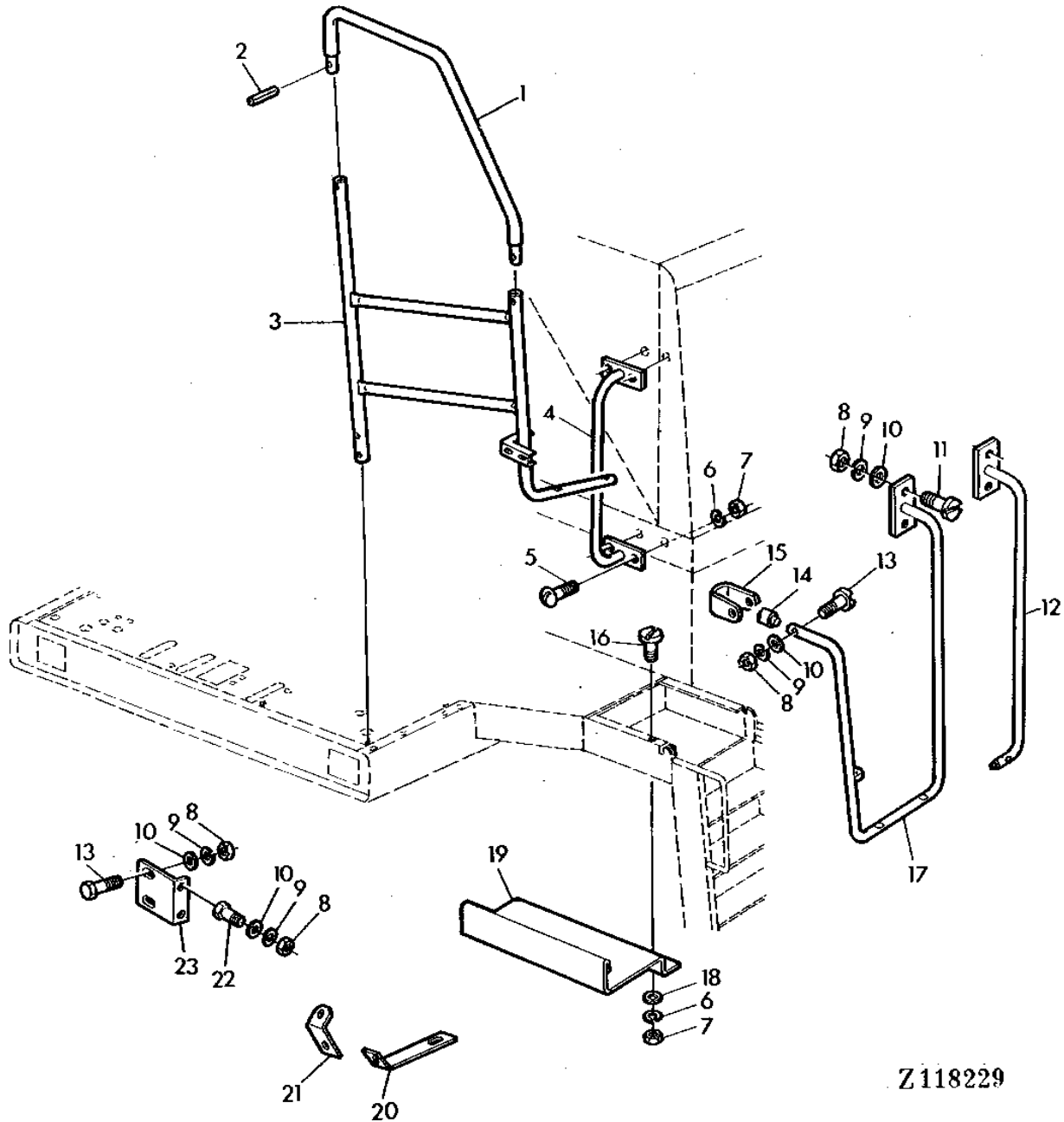
KEY	PART NO.	PART NAME	QTY	SERIAL NO.	4 4 4 3 4 5 3 H 5 Y	REMARKS
1	AZ30088	GUARD	1		X X	
2	21M7031	SCREW	AR		X X	M6 X 15
3	AZ30083	SUPPORT	1		X X	(SUB AZ44493)
	AZ44493	SUPPORT	1		X X	
	AZ31544	LADDER	1		X X	WITH DRIVE WHEEL EXTENSION
4	14M7140	NUT	AR		X X	M10
5	12M7013	LOCK WASHER	AR		X X	10.200 MM
6	24M7040	WASHER	AR		X X	11 X 20 X 2 MM
7	19M7167	CAP SCREW	AR		X X	M10 X 25
8	AZ35356	LADDER	1		X X	
9	AZ33189	LADDER	1		X X	
10	Z40843	BUSHING	2		X X	
11	19M7181	CAP SCREW	2		X X	M10 X 55
12	24M7028	WASHER	4		X X	10.500 X 20 X 2 MM
13	Z40846	HOLDER	1		X X	
14	21M7089	SCREW	AR		X X	M8 X 20
15	24M7036	WASHER	AR		X X	9 X 16 X 1.600 MM
16	14M7166	LOCK NUT	AR		X X	M8
17	21M7087	SCREW	AR		X X	M6 X 12
18	12M7012	LOCK WASHER	AR		X X	6.100 MM
19	14M7027	NUT	AR		X X	M6
20	19M5827	CAP SCREW	2		X X	M14 X 30
21	Z41543	ROPE	1		X X	
22	14M7169	LOCK NUT	2		X X	M14
23	Z40844	HOLDER	1		X X	
24	Z30199	HANDLE	1		X X	

3B12

OPERATOR'S STATION

Z118229 -UN-01JAN94

OPERATOR'S PLATFORM HANDRAILS



Z118229

3B13

OPERATOR'S STATION

OPERATOR'S PLATFORM HANDRAILS - CONTINUED

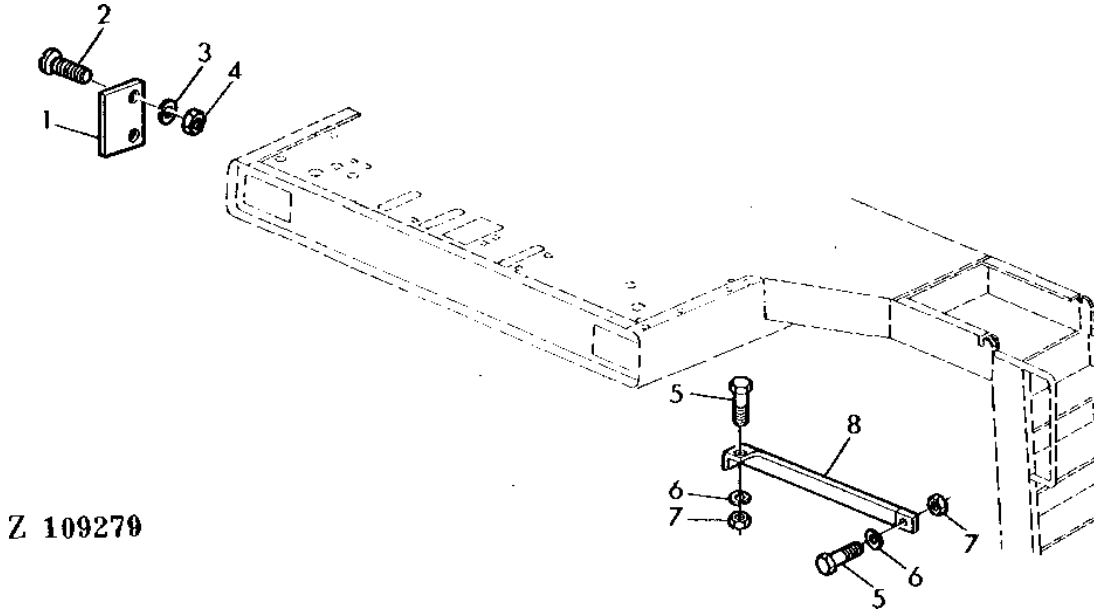
KEY	PART NO.	PART NAME	QTY	SERIAL NO.	REMARKS
					4
					4
					4 3
					4 5
					3 H
					5 Y
1	AZ30166	HANDRAIL	AR		X X
2	34M7033	SPRING PIN	AR		X X 5 X 30MM
3	AZ30086	HANDRAIL	1		X X
4	AZ30454	HANDRAIL	1		X X
5	21M7312	SCREW	AR		X X M6 X 12
6	12M7012	LOCK WASHER	AR		X X 6.100 MM
7	14M7027	NUT	AR		X X M6
8	14M7029	NUT	AR		X X M8
9	12M7008	LOCK WASHER	AR		X X 8.100 MM
10	24M7036	WASHER	AR		X X 9 X 16 X 1.600 MM
11	21M7089	SCREW	AR		X X M8 X 20
12	AZ35064	HANDRAIL	1		X X
13	19M7269	CAP SCREW	AR		X X M8 X 50
14	Z41542	SPACER	AR		X X
15	Z41938	BAIL	1		X X AR
16	21M7031	SCREW	AR		X X M6 X 15
17	AZ31543	HANDRAIL	1		X X AR
18	24M7088	WASHER	AR		X X 6.600 X 12 X 1.600 MM
19	Z42223	GUARD	1		X X AR
20	Z40651	BRACE	1		X X
21	Z40650	HOLDER	1		X X
22	19M7139	CAP SCREW	AR		X X M8 X 20
23	Z40538	HOLDER	1		X X

3B14

OPERATOR'S STATION

Z109279 -UN-01JAN94

OPERATOR'S PLATFORM PARTS



Z 109279

4
4
4 3
4 5
3 H
5 Y

KEY	PART NO.	PART NAME	QTY	SERIAL NO.	REMARKS
1	Z45008	COVER	1	X X	
2	21M7312	SCREW	2	X X	M6 X 12
3	12M7012	LOCK WASHER	2	X X	6.100 MM
4	14M7027	NUT	2	X X	M6
5	19M7166	CAP SCREW	4	X X	M10 X 20
6	12M7013	LOCK WASHER	4	X X	10.200 MM
7	14M7140	NUT	4	X X	M10
8	Z32787	BRACE	2	X X	

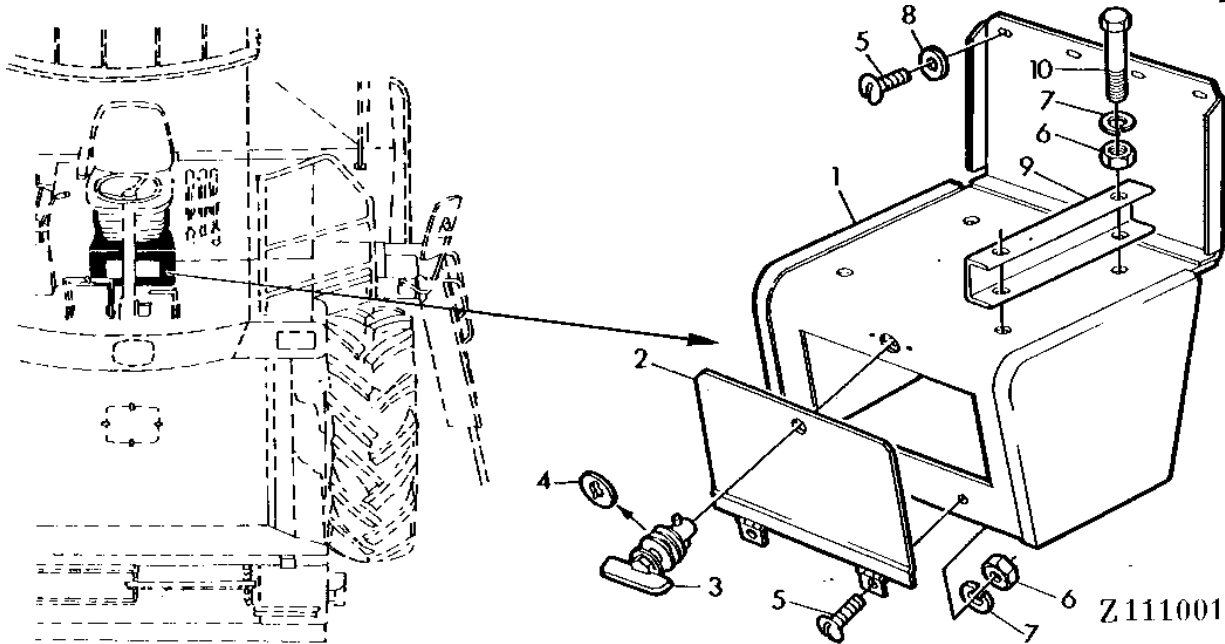
MEMORANDA

3B15

OPERATOR'S STATION

Z111001 -UN-01JAN94

SEAT SUPPORT



4
4
4 3
4 5
3 H
5 Y

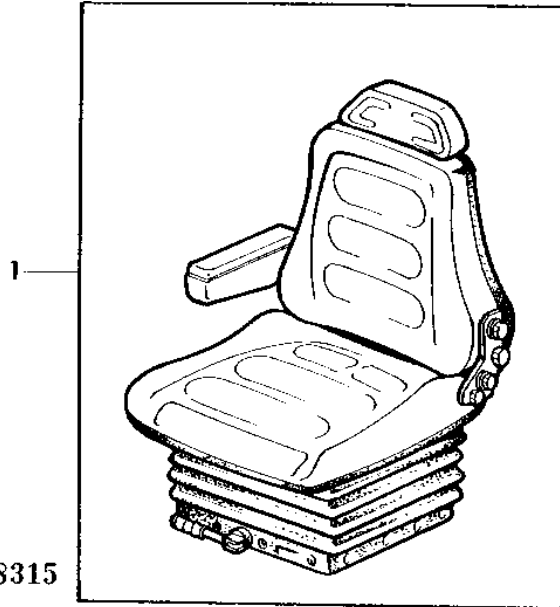
KEY	PART NO.	PART NAME	QTY	SERIAL NO.	REMARKS
1	AZ30415	BRACKET	1	X X	
2	AZ30416	FLAP	1	X X	
3	AZ23253	LATCH	1	X X	
4	Z34136	WASHER	1	X X	
5	21M7314	SCREW	AR	X X	M8 X 15
6	14M7029	NUT	AR	X X	M8
7	12M7008	LOCK WASHER	AR	X X	8.100 MM
8	24M7055	WASHER	AR	X X	8.400 X 16 X 1.600 MM
9	Z42792	CHANNEL	2	X X	
10	19M8153	CAP SCREW	4	X X	M8 X 70

3B16

OPERATOR'S STATION

Z108315 -UN-01JAN94

OPERATOR'S SEAT



Z 108315

4
4
4 3
4 5
3 H
5 Y

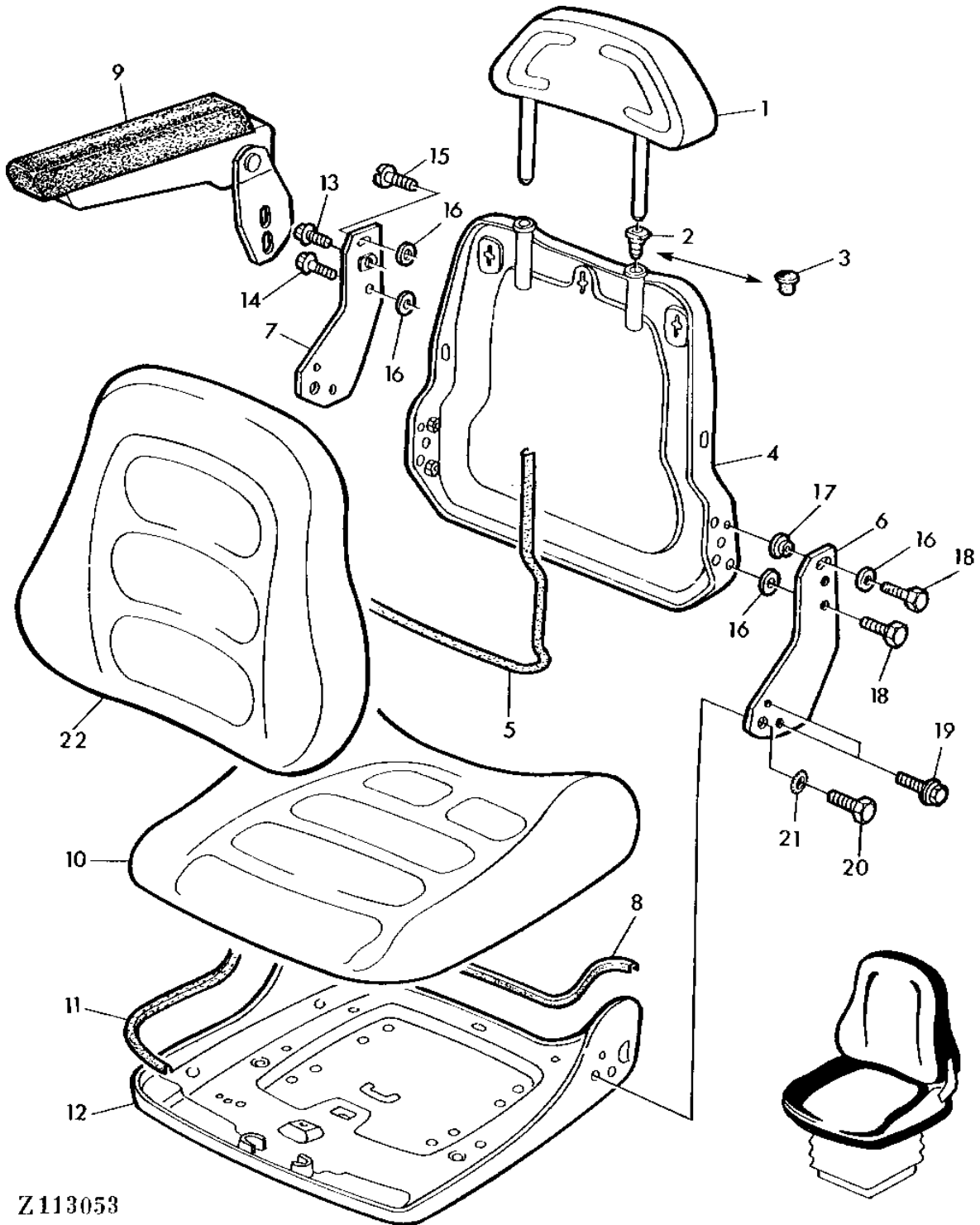
KEY	PART NO.	PART NAME	QTY	SERIAL NO.	REMARKS
1	AZ42008	SEAT	1	X X	

3B17

OPERATOR'S STATION

Z113053 -UN-01JAN94

SEAT CUSHIONS



Z113053

3B18

OPERATOR'S STATION

SEAT CUSHIONS - CONTINUED

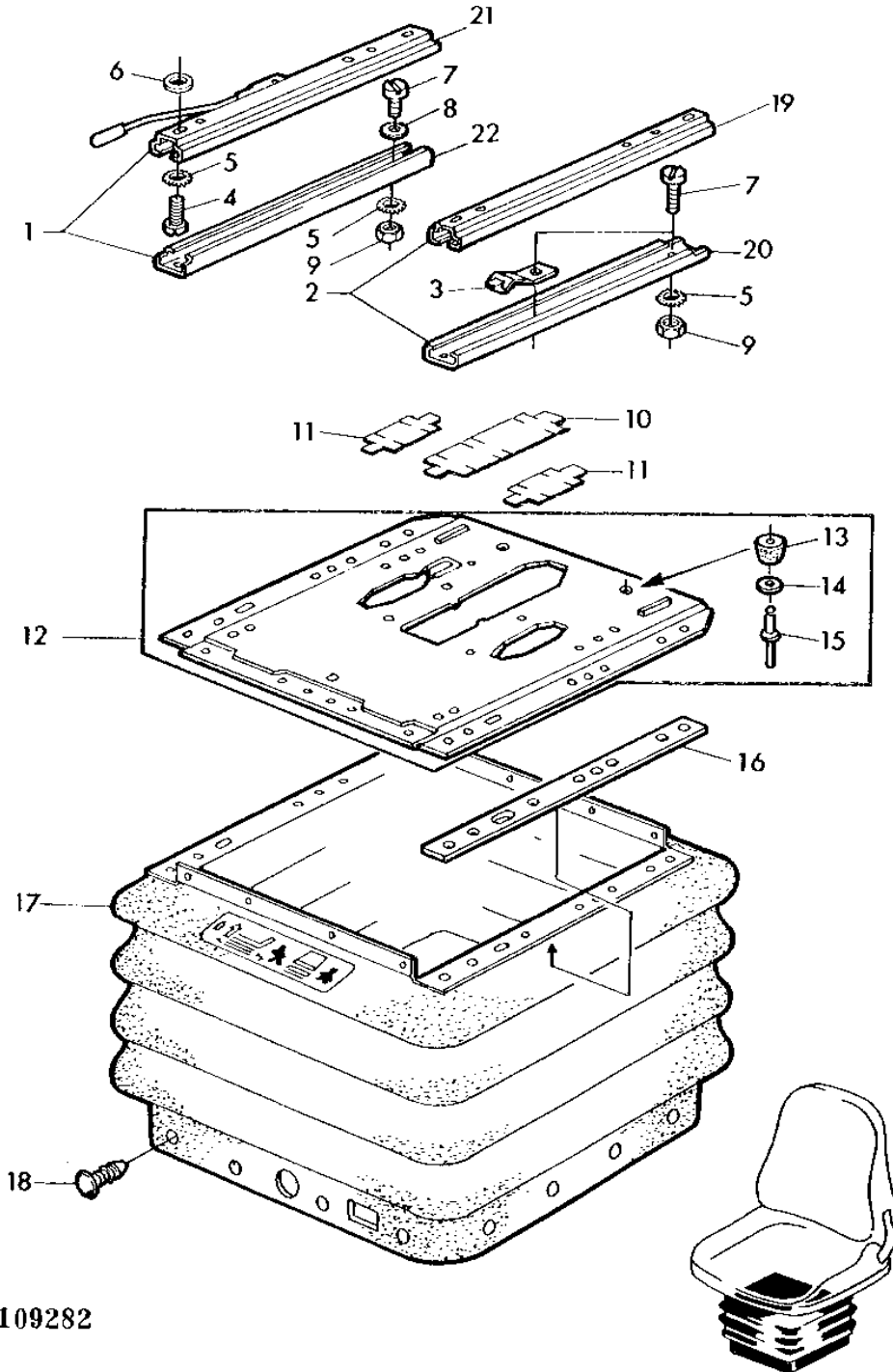
KEY	PART NO.	PART NAME	QTY	SERIAL NO.	4 4 4 3 4 5 3 H 5 Y	REMARKS
1	AZ33163	SEAT BACK	1		X X	
2	Z41616	BUSHING	2		X X	
3	Z41626	PLUG	2		X X	
4	AZ31016	SEAT BACK	1		X X	
5	L38893	MOLDING	1		X X	1500MM(59.06") LONG
6	Z41621	REINFORCEMENT	1		X X	
7	AZ31022	REINFORCEMENT	1		X X	
8	Z41617	GUARD	1		X X	430MM(16.93") LONG
9	AZ37470	ARMREST	1		X X	
10	AZ41429	CUSHION	1		X X	
11	Z41618	GUARD	1		X X	1130MM(44.49") LONG
12	AZ41430	PLATE	1		X X	10 X 25MM
13	19M8068	CAP SCREW	1		X X	M8 X 10
14	19M8062	CAP SCREW	1		X X	M8 X 20
15	19M8067	CAP SCREW	1		X X	M8 X 12
16	24M7055	WASHER	AR		X X	8.400 X 16 X 1.600 MM
17	Z41619	WASHER	1		X X	
18	19M7284	CAP SCREW	AR		X X	M8 X 18
19	19M7902	SCREW	AR		X X	M8 X 16
20	19H3010	CAP SCREW	2		X X	7/16" X 5/8"
21	12H325	LOCK WASHER	2		X X	7/16"
22	AZ31027	CUSHION	1		X X	

3B19

OPERATOR'S STATION

Z109282 -UN-01JAN94

SEAT MOUNTING



Z 109282

3B20

OPERATOR'S STATION

SEAT MOUNTING - CONTINUED

KEY	PART NO.	PART NAME	QTY	SERIAL NO.	4 4 4 3 4 5 3 H 5 Y	REMARKS
1	AZ31025	ADJUSTER	1		X X	INCL. KEYS 21,22
2	AZ31281	GUIDE BAR	1		X X	INCL. KEYS 19,20
3	Z41615	HOLDER	1		X X	
4	21M7095	SCREW	AR		X X	M8 X 16
5	12M7022	LOCK WASHER	AR		X X	8.200 MM
6	24M7213	WASHER	AR		X X	10.500 X 25 X 4 MM
7	21M7030	SCREW	AR		X X	M8 X 20
8	24M7055	WASHER	AR		X X	8.400 X 16 X 1.600 MM
9	14M7029	NUT	AR		X X	M8
10	L38864	PLATE	1		X X	
11	L38869	PLATE	2		X X	
12	AZ31015	PLATE	1		X X	
13	L38888	BUMPER	1		X X	
14	24M1750	SHIM	AR		X X	0.500 MM
15	L39010	RIVET	2		X X	
16	Z41620	MOLDING	2		X X	
17	AZ31024	GUARD	1		X X	
18	L38892	PLUG	AR		X X	
19	Z41624	RAIL	1		X X	
20	AZ31603	RAIL	1		X X	
21	AZ31601	RAIL	1		X X	
22	AZ31602	RAIL	1		X X	

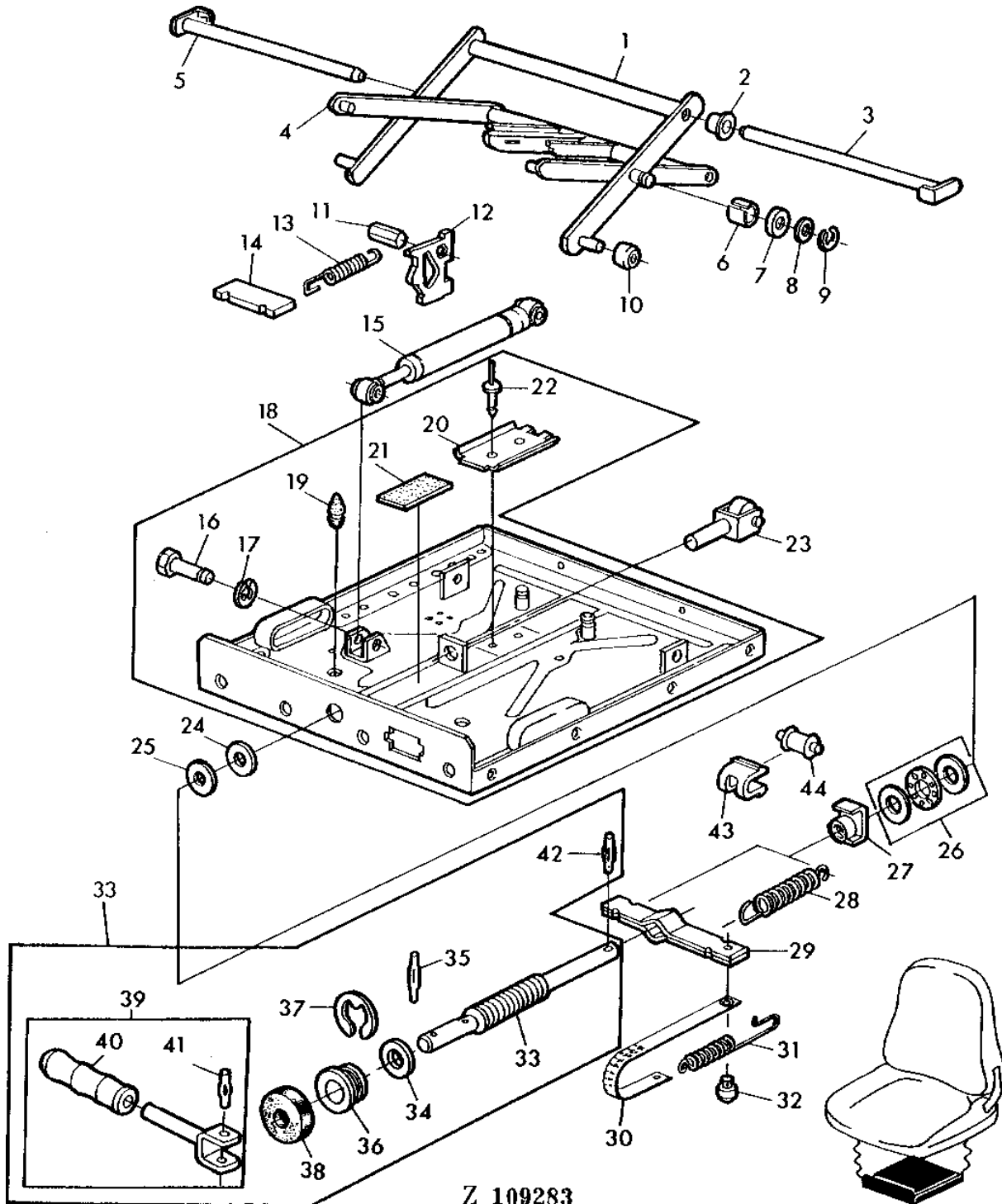
3B21

OPERATOR'S STATION

Z109283

-UN-01JAN94

SEAT ADJUSTMENT



Z 109283

3B22

OPERATOR'S STATION

SEAT ADJUSTMENT - CONTINUED

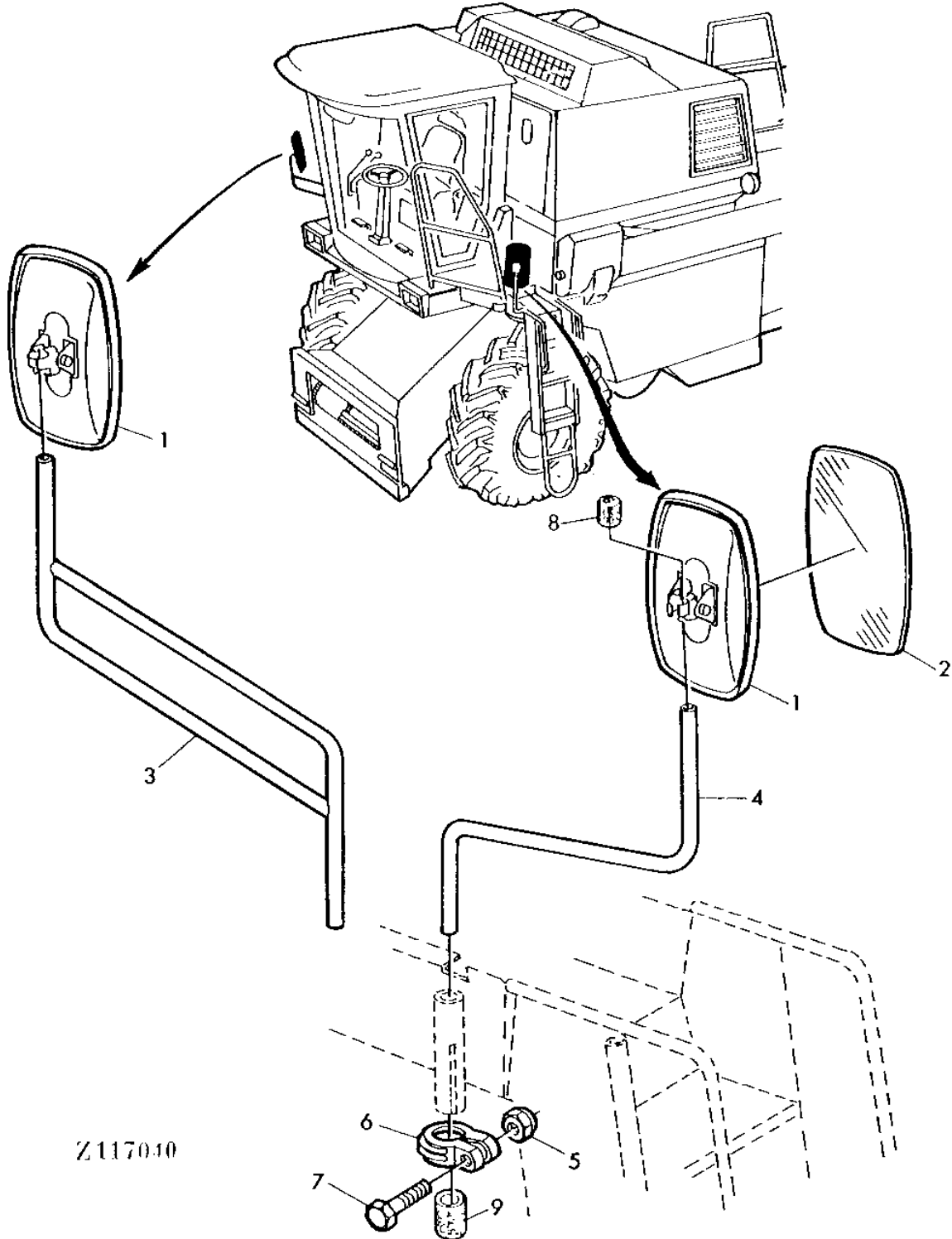
KEY	PART NO.	PART NAME	QTY	SERIAL NO.	4 4 4 3 4 5 3 H 5 Y	REMARKS
1	AZ31014	LEVER	1		X X	
2	L38856	BEARING	4		X X	
3	AL36644	PIN	1		X X	
4	AL36647	ARM	1		X X	
5	AL36645	PIN	1		X X	
6	L38867	WASHER	2		X X	
7	L38868	WASHER	2		X X	
8	24M7044	WASHER	AR		X X	13 X 20 X 2 MM
9	40M7030	SNAP RING	2		X X	9MM
10	L38855	ROLLER	4		X X	
11	L38862	BAR	1		X X	
12	L38852	PLATE	2		X X	
13	L38854	SPRING	2		X X	
14	L38853	PLATE	1		X X	
15	AZ31280	DASHPOT	1		X X	
16	L38889	BOLT	2		X X	
17	40M7041	SNAP RING	2		X X	5MM
18	AZ31017	PLATE	1		X X	
19	L25678	BUMPER	2		X X	
20	L38891	RAIL	1		X X	
21	L38890	PLATE	1		X X	
22	L39011	RIVET	2		X X	
23	Z41622	TOGGLE	1		X X	
24	L38850	WASHER	1		X X	
25	24H1657	WASHER	1		X X	21/64" X 1-1/4" X 7/64"
26	JD10212	BALL BEARING	1		X X	
27	L38861	NUT	1		X X	
28	L38865	SPRING	2		X X	
29	AL36643	RETAINER	1		X X	
30	AL36648	STRIP	1		X X	
31	L38866	SPRING	1		X X	
32	L38857	PLUG	1		X X	
33	AZ31019	ADJUSTER	1		X X	
34	Z41613	WASHER	1		X X	
35	34M7130	SPRING PIN	1		X X	4 X 20 MM
36	AZ31021	BUSHING	1		X X	
37	40M7051	SNAP RING	1		X X	15MM
38	Z41614	BUSHING	1		X X	
39	AZ31020	TOGGLE	1		X X	
40	Z41611	GRIP	1		X X	
41	25M7019	GROOVE PIN	1		X X	4 X 24 MM
42	34M7129	SPRING PIN	1		X X	3 X 16 MM
43	L38847	GUIDE	1		X X	
44	L38851	ROLLER	1		X X	

3B23

OPERATOR'S STATION

Z117040 -UN-01JAN94

REAR VIEW MIRROR



3B24

OPERATOR'S STATION

REAR VIEW MIRROR - CONTINUED

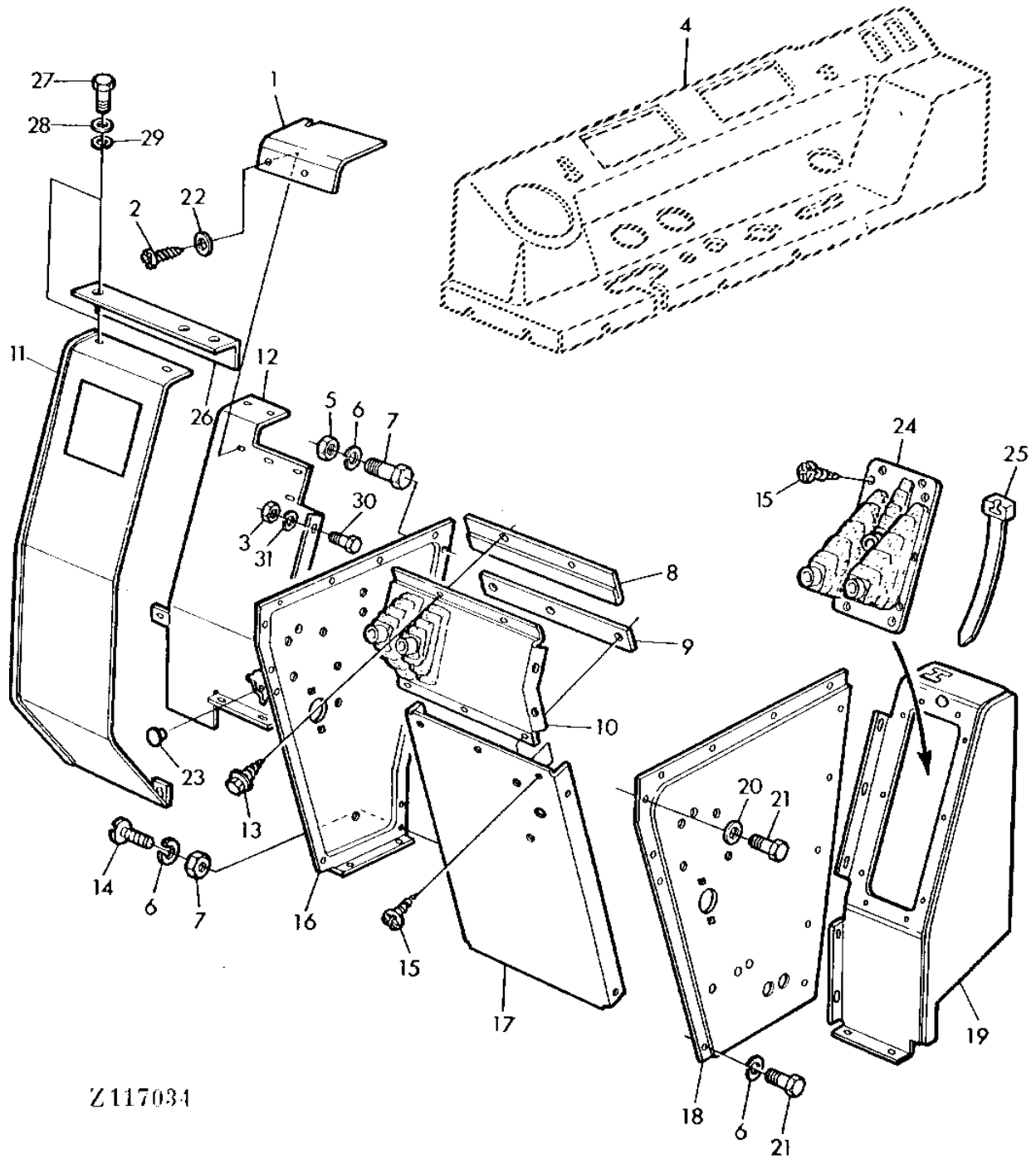
KEY	PART NO.	PART NAME	QTY	SERIAL NO.	4 4 4 3 4 5 3 H 5 Y	REMARKS
1	AZ31008	REAR VIEW MIRROR	2		X	(SUB AZ42315)
	AZ42315	REAR VIEW MIRROR	2		X X	
2	Z39369	REAR VIEW MIRROR	AR		X X	FOR METAL HOUSING
	Z45913	REAR VIEW MIRROR	AR		X X	FOR PLASTIC HOUSING
3	AZ30428	HANDRAIL	1		X X	R.H.
4	Z40854	HANDRAIL	1		X	L.H., (SUB Z43347)
	Z43347	RETAINER	1		X X	L.H.
5	14M7166	LOCK NUT	1		X X	M8
6	Z29505	CLAMP	1		X X	
7	19M7322	CAP SCREW	1		X X	M8 X 35
8	Z43345	CAP	4		X X	
9	Z43346	CAP	2		X X	

3C1

OPERATOR'S STATION

Z117034 -UN-01JAN94

SHIFT CONSOLE AND COVERS, RIGHT-HAND



Z117034

3C2

OPERATOR'S STATION

SHIFT CONSOLE AND COVERS, RIGHT-HAND - CONTINUED

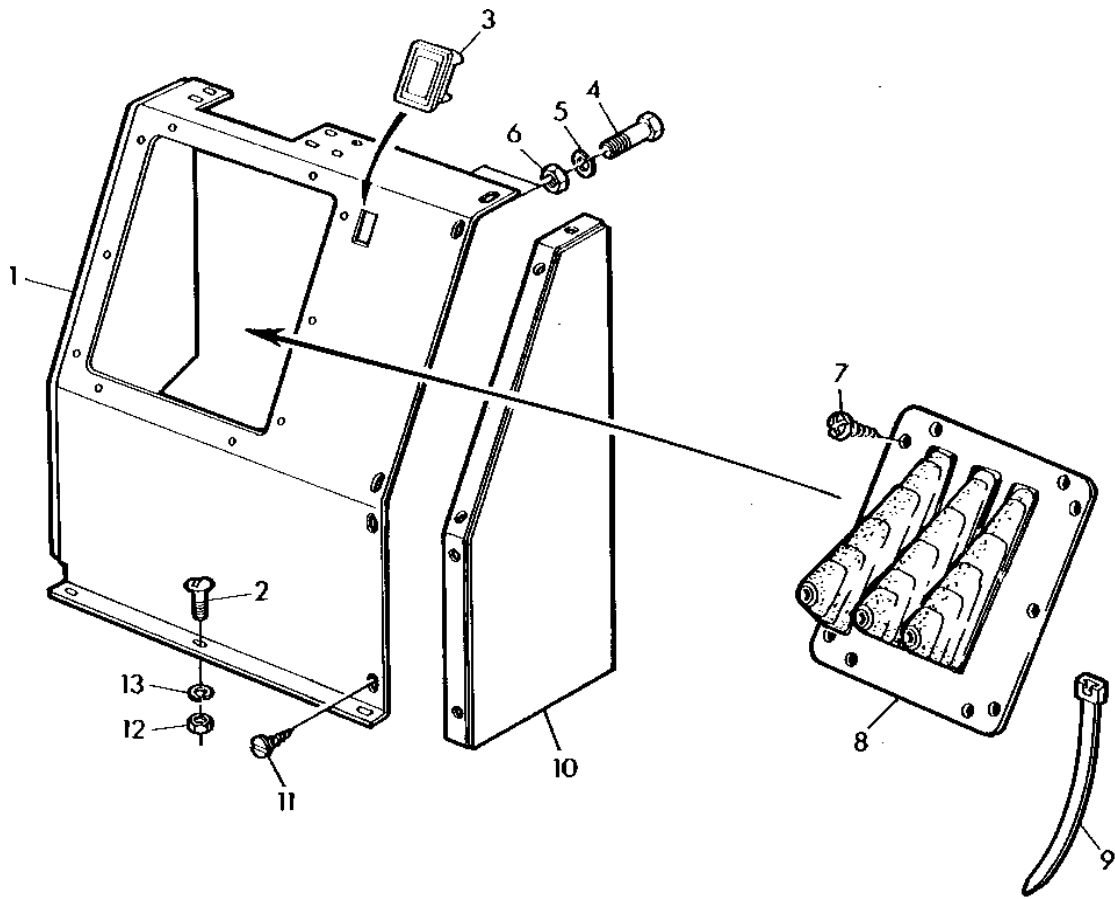
KEY	PART NO.	PART NAME	QTY	SERIAL NO.	4 4 4 3 4 5 3 H 5 Y	REMARKS
1	Z40829	SHEET	1		X X	
2	37M7154	SCREW	2		X X	5,5 X 13MM
3	14M7373	NUT	AR		X X	M6
4	INSTRUMENT PANEL	1		X X	SEE SECTION 040
5	14M7027	NUT	AR		X X	M6
6	12M7012	LOCK WASHER	AR		X X	6.100 MM
7	19M6614	CAP SCREW	AR		X X	M6 X 12
8	Z41128	REINFORCEMENT	1		X X	
9	Z40760	STRAP	1		X X	
10	Z46670	BOOT	1		X X	
11	AZ35571	SHIELD	1		X X	
12	AZ32375	SHIELD	1		X X	
13	Z41631	SCREW	AR		X X	
14	21M7312	SCREW	AR		X X	M6 X 12
15	37M7155	SCREW	10		X X	4,8X13MM
16	AZ34650	SIDE WALL	1		X X	
17	Z43298	SIDE WALL	1		X X	
18	AZ35055	SIDE WALL	1		X X	
19	AZ30192	CONSOLE	1		X X	
20	24M7263	WASHER	AR		X X	6.400 X 12 X 1.600 MM
21	19M8066	CAP SCREW	AR		X X	M6 X 18
22	Z41630	WASHER	2		X X	
23	Z45479	PLUG	1		X X	
24	AZ30424	FRAME	1		X X	
25	Z31799	CLAMP	AR		X X	
26	AZ30188	ANGLE	1		X X	
27	19M8058	CAP SCREW	AR		X X	M8 X 16
28	24M7265	WASHER	AR		X X	9 X 16 X 1.600 MM
29	12M7098	LOCK WASHER	AR		X X	8.100 MM
30	19M8059	CAP SCREW	AR		X X	M6 X 12
31	12M7099	LOCK WASHER	AR		X X	6.100 MM

3C3

OPERATOR'S STATION

Z111002 -UN-01JAN94

SHIFT CONSOLE, LEFT-HAND



Z111002

3C4

OPERATOR'S STATION

SHIFT CONSOLE, LEFT-HAND - CONTINUED

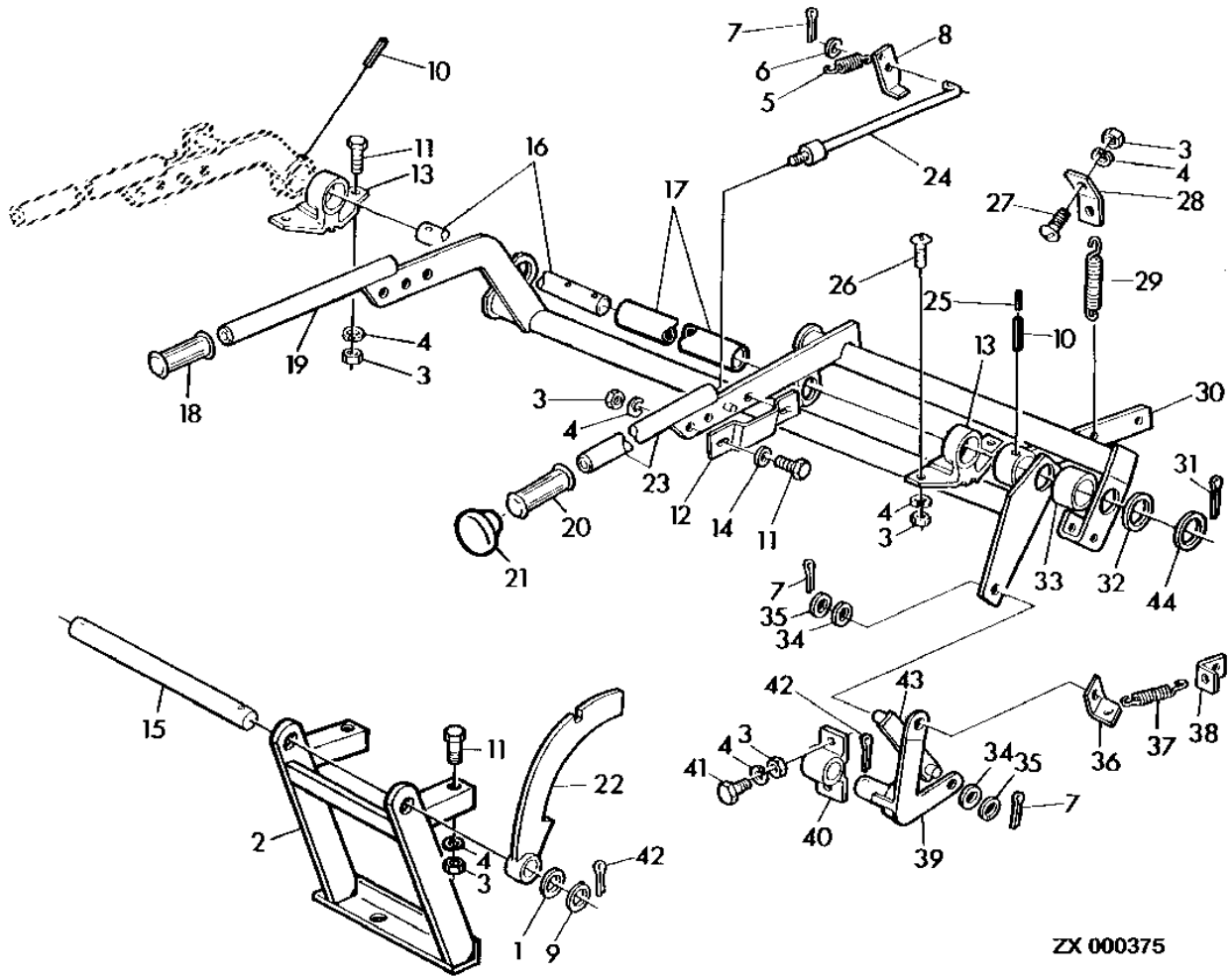
KEY	PART NO.	PART NAME	QTY	SERIAL NO.	4 4 4 3 4 5 3 H 5 Y	REMARKS
1	AZ35129	CONSOLE	1		X X	
2	21M7312	SCREW	AR		X X	M6 X 12
3	AZ31101	CAP	1		X X	
4	19M7162	CAP SCREW	AR		X X	M8 X 16
5	12M7008	LOCK WASHER	AR		X X	8.100 MM
6	24M7036	WASHER	AR		X X	9 X 16 X 1.600 MM
7	37M7155	SCREW	10		X X	4,8 X 13MM
8	AZ35366	FRAME	1		X X	
9	Z31799	CLAMP	AR		X X	
10	Z40656	SIDE WALL	1		X X	
11	Z41631	SCREW	AR		X X	
12	14M7027	NUT	AR		X X	M6
13	12M7099	LOCK WASHER	AR		X X	6.100 MM

3C5

OPERATOR'S STATION

ZX000375 -UN-11JUL96

LEFT-HAND LEVERS



3C6

OPERATOR'S STATION

LEFT-HAND LEVERS - CONTINUED

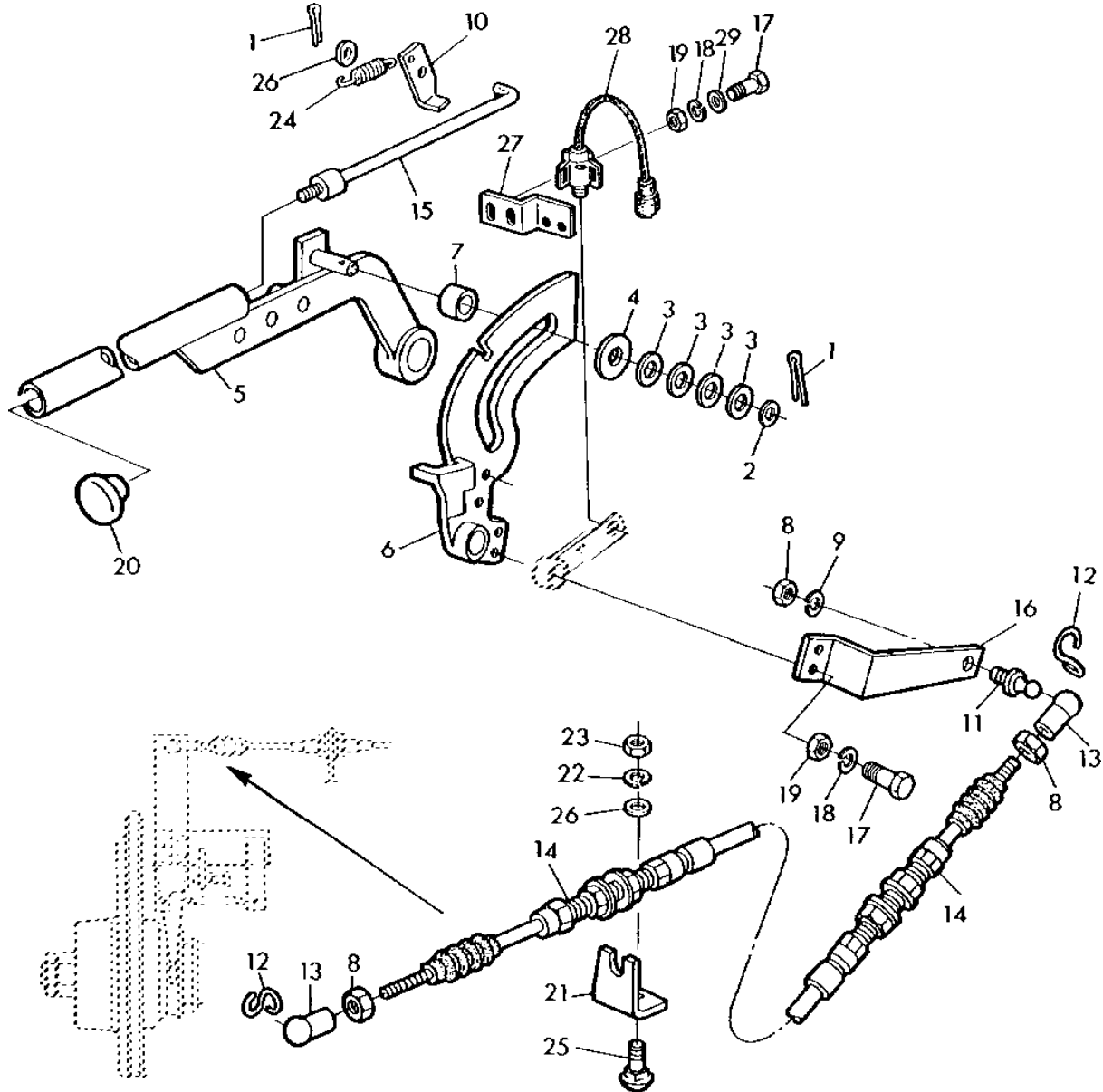
KEY	PART NO.	PART NAME	QTY	SERIAL NO.	4 4 4 3 4 5 3 H 5 Y	REMARKS
1	Z27188	SHIM	2		X X	
2	AZ34290	SUPPORT	1		X X	
3	14M7029	NUT	AR		X X	M8
4	12M7008	LOCK WASHER	AR		X X	8.100 MM
5	Z21613	EXTENSION SPRING	1		X X	
6	24M7040	WASHER	1		X X	11 X 20 X 2 MM
7	11M7014	COTTER PIN	AR		X X	3.200 X 22 MM
8	Z21834	LATCH	1		X X	
9	24M7099	WASHER	2		X X	21 X 34 X 2.500 MM
10	34M7047	SPRING PIN	1		X X	8 X 40 MM
11	19M7163	CAP SCREW	AR		X X	M8 X 25
12	Z36022	RETAINER	1		X X	
13	Z10207	BEARING	2		X X	
14	24M7036	WASHER	AR		X X	9 X 16 X 1.600 MM
15	Z45838	SHAFT	1		X X	
16	Z21829	SHAFT	1		X X	
17	Z21827	PIPE	1		X X	
18	Z30976	HANDLE	1		X X	YELLOW
19	AZ29955	LEVER	1		X X	
20	Z26789	GRIP	1		X X	BLACK
21	Z34446	KNOB	1		X X	
22	Z11325	SECTOR	1		X X	
23	AZ29801	LEVER	1		X X	
24	AZ23854	ROD	1		X X	
25	34M7035	SPRING PIN	1		X X	5 X 40 MM
26	21M7125	SCREW	AR		X X	M8 X 25
27	21M7314	SCREW	AR		X X	M8 X 15
28	Z33659	STRAP	1		X X	
29	Z45233	LEAF SPRING	1		X X	
30	AZ22670	LEVER	1		X X	
31	11M7038	COTTER PIN	1		X X	6.300 X 40 MM
32	Z24651	WASHER	8		X X	
33	Z40557	SPACER	1		X X	
34	Z27187	WASHER	2		X X	
35	Z27186	WASHER	2		X X	
36	Z22572	HOLDER	1		X X	
37	Z35544	EXTENSION SPRING	1		X X	
38	Z35543	RETAINER	1		X X	
39	Z10202	LEVER	1		X X	
40	Z10201	BEARING	1		X X	
41	19M7288	CAP SCREW	AR		X X	M8 X 30
42	11M7024	COTTER PIN	1		X X	4 X 36 MM
43	AZ10984	STRAP	1		X X	
44	L19162	SHIM	1		X X	

3C7

OPERATOR'S STATION

Z117041 -UN-01JAN94

CONTROL LEVER - CUTTING PLATFORM/HYDRAULIC REVERSER



Z117041

3C8

OPERATOR'S STATION

CONTROL LEVER - CUTTING PLATFORM/HYDRAULIC REVERSER - CONTINUED

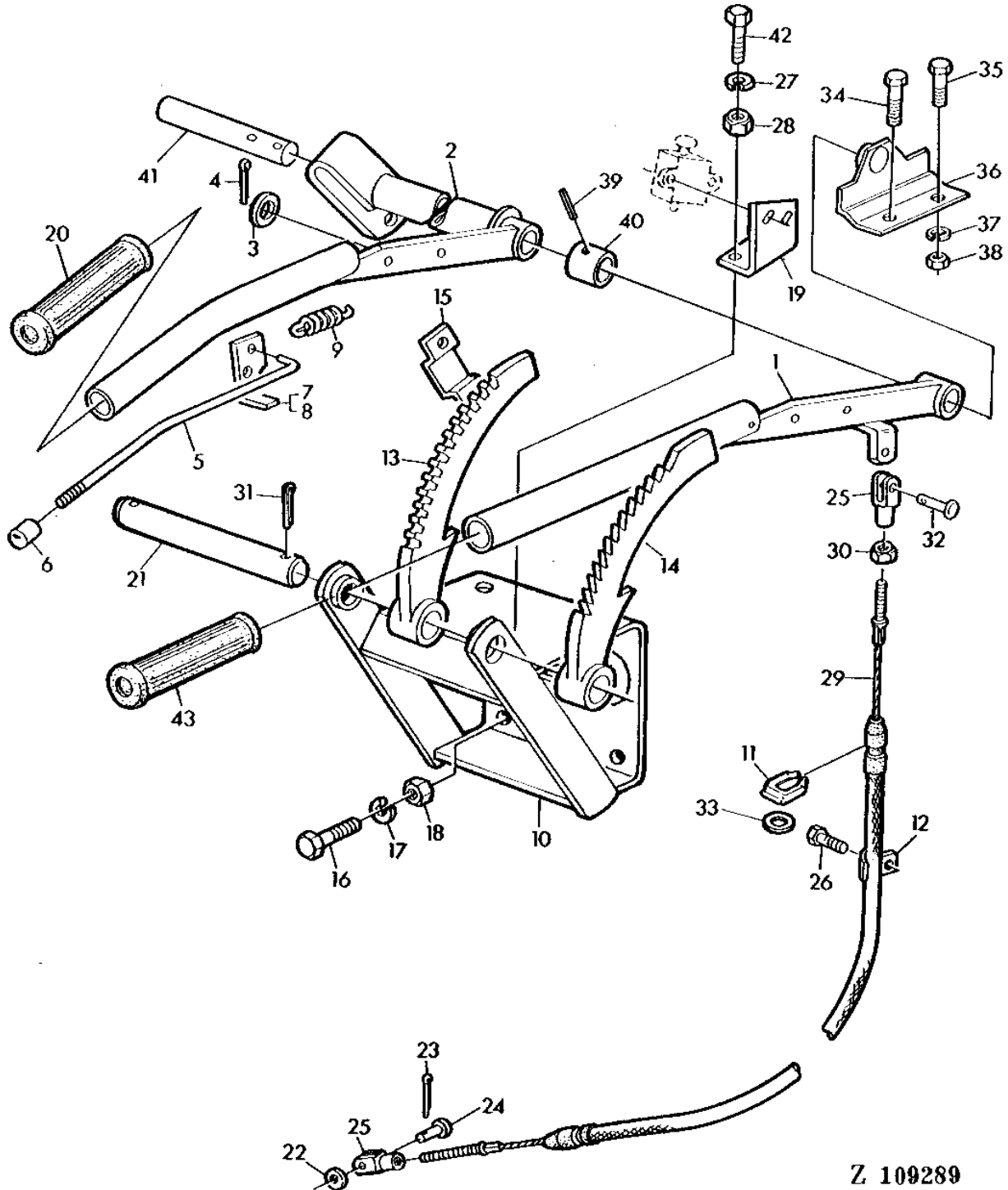
KEY	PART NO.	PART NAME	QTY	SERIAL NO.	4 4 4 3 4 5 3 H 5 Y	REMARKS
1	11M7014	COTTER PIN	2		X X	3.200 X 22 MM
2	24M7096	WASHER	AR		X X	10.500 X 18 X 1.600 MM
3	Z27186	WASHER	AR		X X	
4	24M7101	WASHER	AR		X X	11 X 34 X 3 MM
5	AZ34287	LEVER	1		X X	
6	Z11519	SECTOR	1		X X	
7	Z44159	SPACER	1		X X	
8	14M7297	NUT	AR		X X	M5
9	12M7011	LOCK WASHER	AR		X X	5.100 MM
10	Z21834	LATCH	1		X X	
11	55M7003	BALL STUD	AR		X X	8MM
12	56M5258	BALL JOINT RETAINER	AR		X X	
13	56M5259	BALL JOINT SOCKET	AR		X X	
14	AZ34327	PUSH PULL CABLE	1		X X	
15	AZ23854	ROD	1		X X	
16	Z44150	RETAINER	1		X X	
17	19M7077	CAP SCREW	AR		X X	M6 X 20
18	12M7012	LOCK WASHER	AR		X X	6.100 MM
19	14M7027	NUT	AR		X X	M6
20	Z34446	KNOB	1		X X	
21	Z43884	RETAINER	1		X X	
22	12M7013	LOCK WASHER	AR		X X	10.200 MM
23	14M7140	NUT	AR		X X	M10
24	Z21613	EXTENSION SPRING	1		X X	
25	03M7088	BOLT	AR		X X	M10 X 20
26	24M7040	WASHER	AR		X X	11 X 20 X 2 MM
27	Z51770	RETAINER	1		X X	
28	SWITCH	1		X X	SEE SECTION 040
29	Z26250	WASHER	4		X X	

3C9

OPERATOR'S STATION

Z109289 -UN-01JAN94

CONCAVE AND BRAKE LEVERS



Z 109289

3C10

OPERATOR'S STATION

CONCAVE AND BRAKE LEVERS - CONTINUED

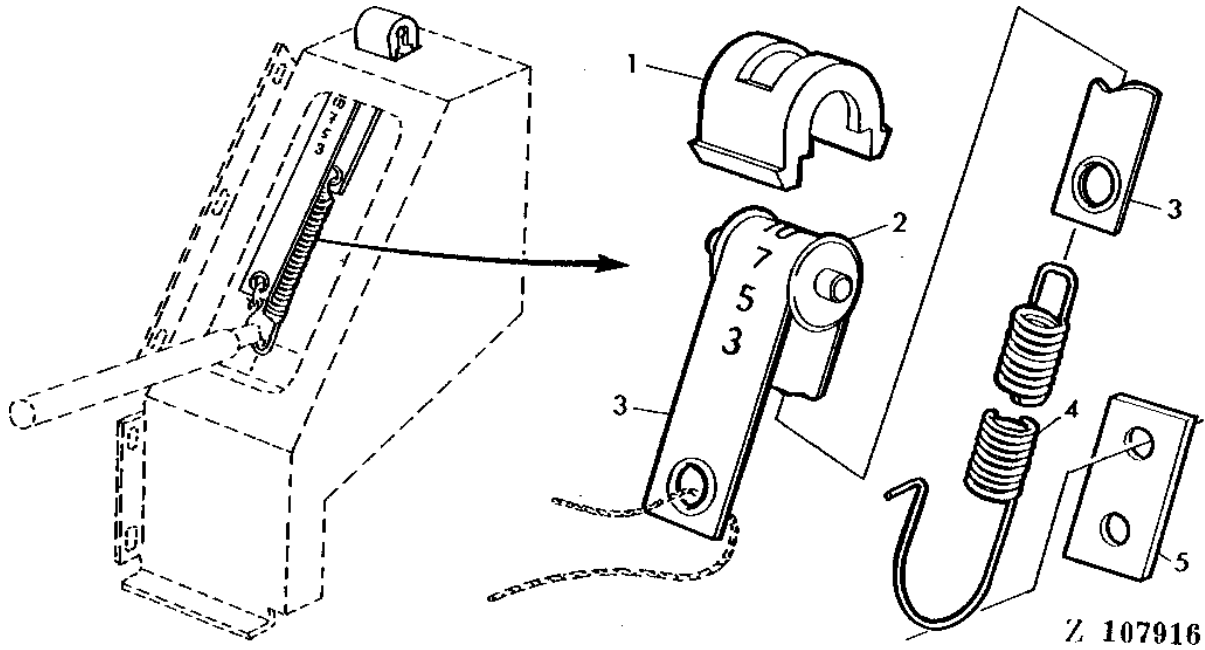
KEY	PART NO.	PART NAME	QTY	SERIAL NO.	4 4 4 3 4 5 3 H 5 Y	REMARKS
1	AZ31005	LEVER	1		X X	HAND BRAKE
2	AZ34646	BELLCRANK	1		X X	CONCAVE
3	24M7040	WASHER	AR		X X	11 X 20 X 2 MM
4	11M7014	COTTER PIN	2		X X	3.200 X 22 MM
5	Z41546	HOOK BOLT	1		X X	FOR AZ31005
	Z44389	HOOK BOLT	1		X X	FOR AZ34646
6	Z21823	KNOB	2		X X	
7	Z21833	LATCH	1		X X	FOR AZ31005
8	Z21834	LATCH	1		X X	FOR AZ34646
9	Z21613	EXTENSION SPRING	2		X X	
10	AZ29888	BRACKET	1		X X	
11	Z29162	CLAMP	2		X X	
12	Z30685	CLAMP	1		X X	
13	Z11323	SECTOR	1		X X	
14	Z11324	SECTOR	1		X X	
15	Z29945	BRACKET	2		X X	
16	19M7163	CAP SCREW	AR		X X	M8 X 25
17	12M7008	LOCK WASHER	AR		X X	8.100 MM
18	14M7029	NUT	AR		X X	M8
19	Z29946	PLATE	1		X X	
20	Z26789	GRIP	1		X X	BLACK
21	Z29953	PIN	1		X X	
22	24M7106	WASHER	AR		X X	10 X 18 X 2.500 MM
23	11M7020	COTTER PIN	2		X X	4 X 22 MM
24	Z24485	PIN	1		X X	
25	Z24492	YOKE	2		X X	
26	19M7375	CAP SCREW	AR		X X	M6 X 18
27	12M7012	LOCK WASHER	AR		X X	6.100 MM
28	14M7027	NUT	AR		X X	M6
29	AZ21465	PUSH PULL CABLE	1		X X	
30	14M7152	NUT	AR		X X	M10
31	11M7024	COTTER PIN	AR		X X	4 X 36 MM
32	Z24484	PIN	1		X X	
33	L17952	WASHER	1		X X	
34	19M7288	CAP SCREW	AR		X X	M8 X 30
35	19M7167	CAP SCREW	AR		X X	M10 X 25
36	AZ18547	BRACKET	2		X X	
37	12M7013	LOCK WASHER	AR		X X	10.200 MM
38	14M7140	NUT	AR		X X	M10
39	34M7046	SPRING PIN	AR		X X	8 X 36MM
40	Z29951	BUSHING	1		X X	
41	Z29939	SHAFT	1		X X	
42	19M7159	CAP SCREW	AR		X X	M6 X 15
43	Z45163	GRIP	1		X X	ORANGE

3C11

OPERATOR'S STATION

Z107916 -UN-01JAN94

CONCAVE ADJUSTMENT INDICATOR



Z 107916

4
4
4 3
4 5
3 H
5 Y

KEY	PART NO.	PART NAME	QTY	SERIAL NO.	REMARKS
1	L38847	GUIDE	1		
2	L38851	ROLLER	1		
3	AZ31118	STRIP	1		
4	Z42231	SPRING	1		
5	Z42246	HOLDER	1		

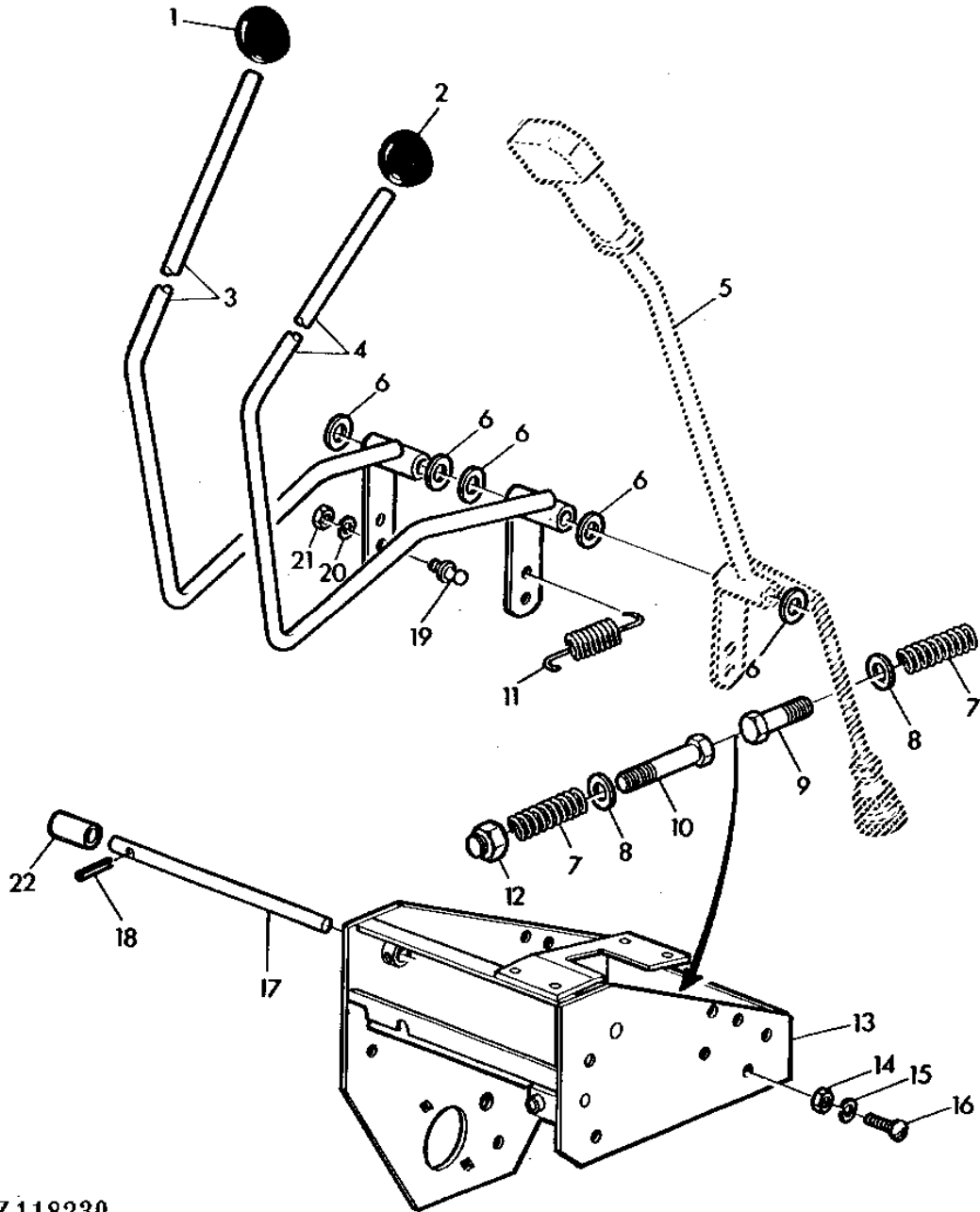
MEMORANDA

3C12

OPERATOR'S STATION

Z118230 -UN-01JAN94

OPERATING CONTROLS, RIGHT-HAND



Z118230

3C13

OPERATOR'S STATION

OPERATING CONTROLS, RIGHT-HAND - CONTINUED

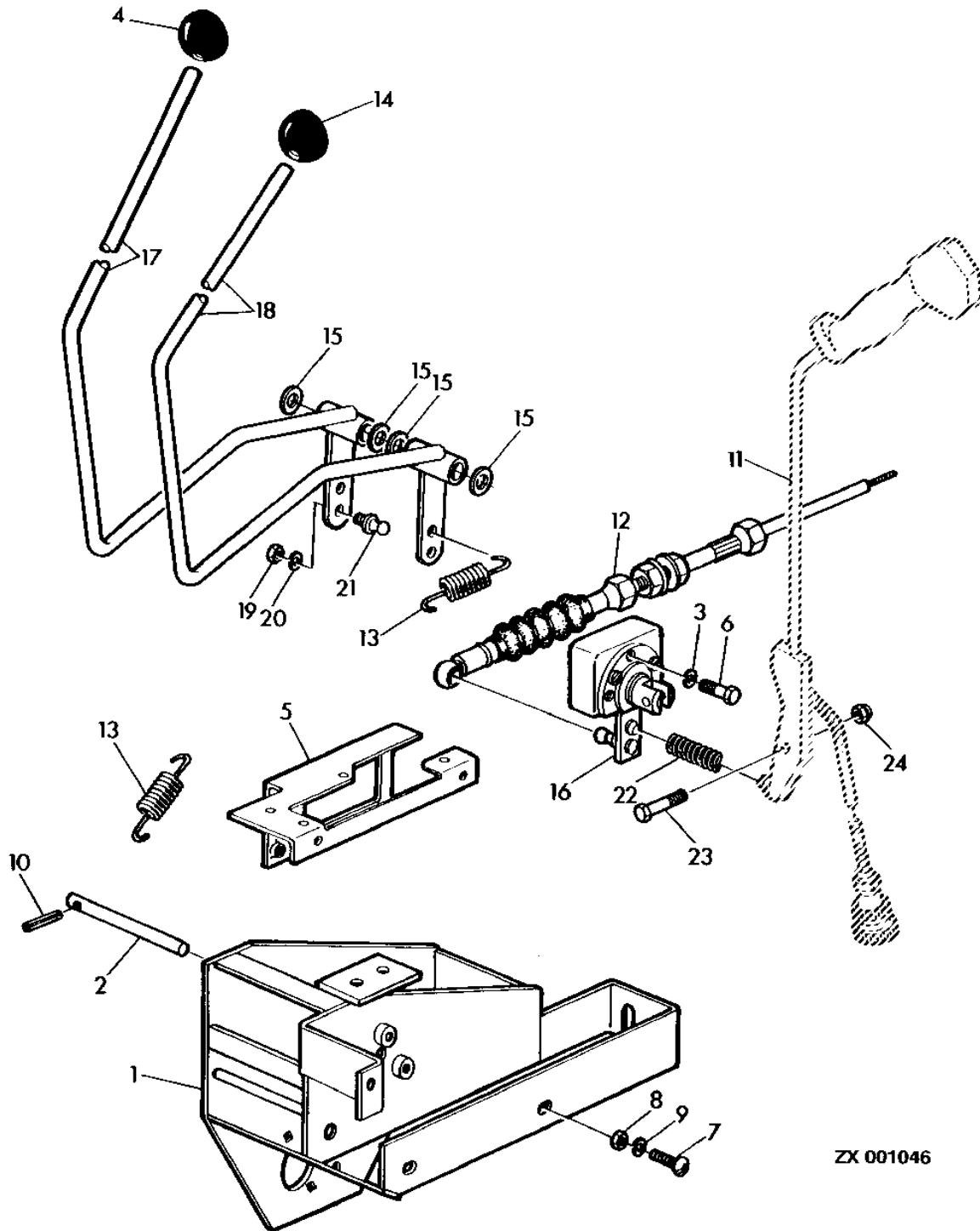
KEY	PART NO.	PART NAME	QTY	SERIAL NO.	4	REMARKS
					4	
					4 3	
					4 5	
					3 H	
					5 Y	
1	AZ30369	KNOB	1		X	
2	AZ30368	KNOB	1		X	
3	AZ30371	LEVER	1		X	
4	AZ30372	LEVER	1		X	(SUB AZ44143)
	AZ44143	LEVER	1		X	
5	GRIP	1		X	SEE SECTION 040
6	24M7140	WASHER	AR		X	13 X 19 X 1 MM
7	Z51579	COMPRESSION SPRING	2		X	
8	24M7179	WASHER	2		X	8.400 X 24 X 2 MM
9	19M7323	CAP SCREW	1		X	M8 X 40
10	19M7295	CAP SCREW	1		X	M8 X 45
11	L12731	SPRING	4		X	
12	14M7166	LOCK NUT	1		X	M8
13	AZ40333	HOLDER	1		X	
14	14M7029	NUT	AR		X	M8
15	12M7008	LOCK WASHER	AR		X	8.100 MM
16	21M7314	SCREW	AR		X	M8 X 15
17	Z33686	PIN	1		X	
18	34M7027	SPRING PIN	1		X	4 X 20 MM
19	55M7003	BALL STUD	2		X	8MM
20	12M7011	LOCK WASHER	AR		X	5.100 MM
21	14M7297	NUT	AR		X	M5
22	Z29873	SPACER	1		X	

3C14

OPERATOR'S STATION

ZX001046 -UN-11JUL96

OPERATING CONTROLS, RIGHT-HAND



ZX 001046

3C15

OPERATOR'S STATION

OPERATING CONTROLS, RIGHT-HAND - CONTINUED

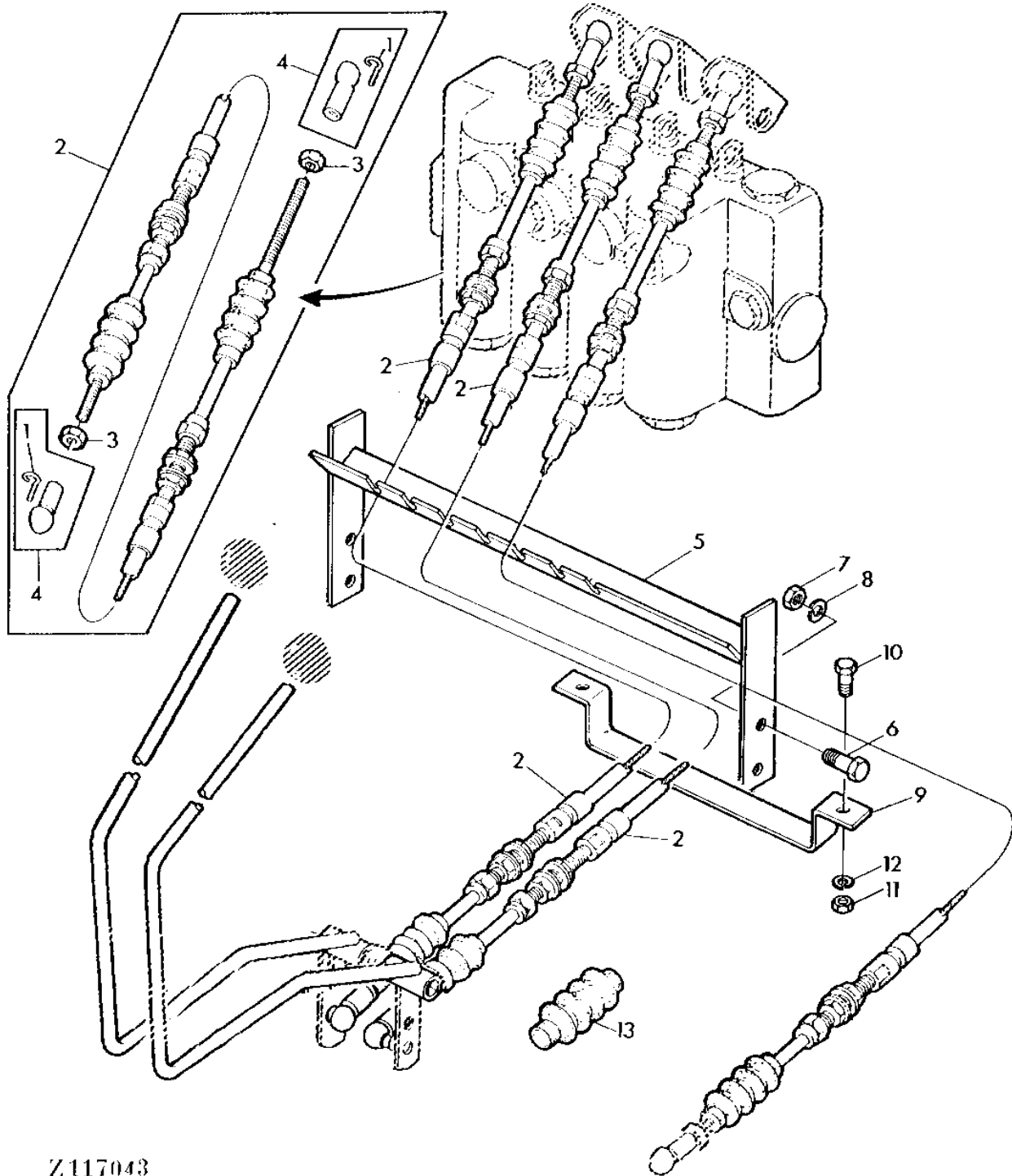
KEY	PART NO.	PART NAME	QTY	SERIAL NO.	REMARKS
				4	
				4	
				4 3	
				4 5	
				3 H	
				5 Y	
1	AZ37265	SUPPORT	1		X
2	Z46661	PIN	1		X
3	12M7012	LOCK WASHER	3		X 6.100 MM
4	AZ30369	KNOB	1		X
5	Z46667	STOP	1		X
6	19M7320	CAP SCREW	3		X M6 X 40
7	21M7314	SCREW	AR		X M8 X 15
8	14M7029	NUT	AR		X M8
9	12M7008	LOCK WASHER	AR		X 8.100 MM
10	34M7027	SPRING PIN	1		X 4 X 20 MM
11	GRIP	1		X SEE SECTION 040
12	AZ28521	PUSH PULL CABLE	1		X
13	L12731	SPRING	4		X
14	AZ30368	KNOB	1		X
15	24M7140	WASHER	4		X 13 X 19 X 1 MM
16	AZ40084	SENDER	1		X
17	AZ30371	LEVER	1		X
18	AZ30372	LEVER	1		X (SUB AZ44143)
	AZ44143	LEVER	1		X
19	14M7028	NUT	AR		X M5
20	12M7011	LOCK WASHER	AR		X 5.100 MM
21	55M7003	BALL STUD	6		X 8 MM
22	288SE	SPRING	1		X
23	53M7008	SCREW	1		X M8 X 35
24	14M7166	LOCK NUT	1		X M8

3C16

OPERATOR'S STATION

Z117043 -UN-01JAN94

OPERATING CABLES ON OPERATOR'S PLATFORM



Z117043

3C17

OPERATOR'S STATION

OPERATING CABLES ON OPERATOR'S PLATFORM - CONTINUED

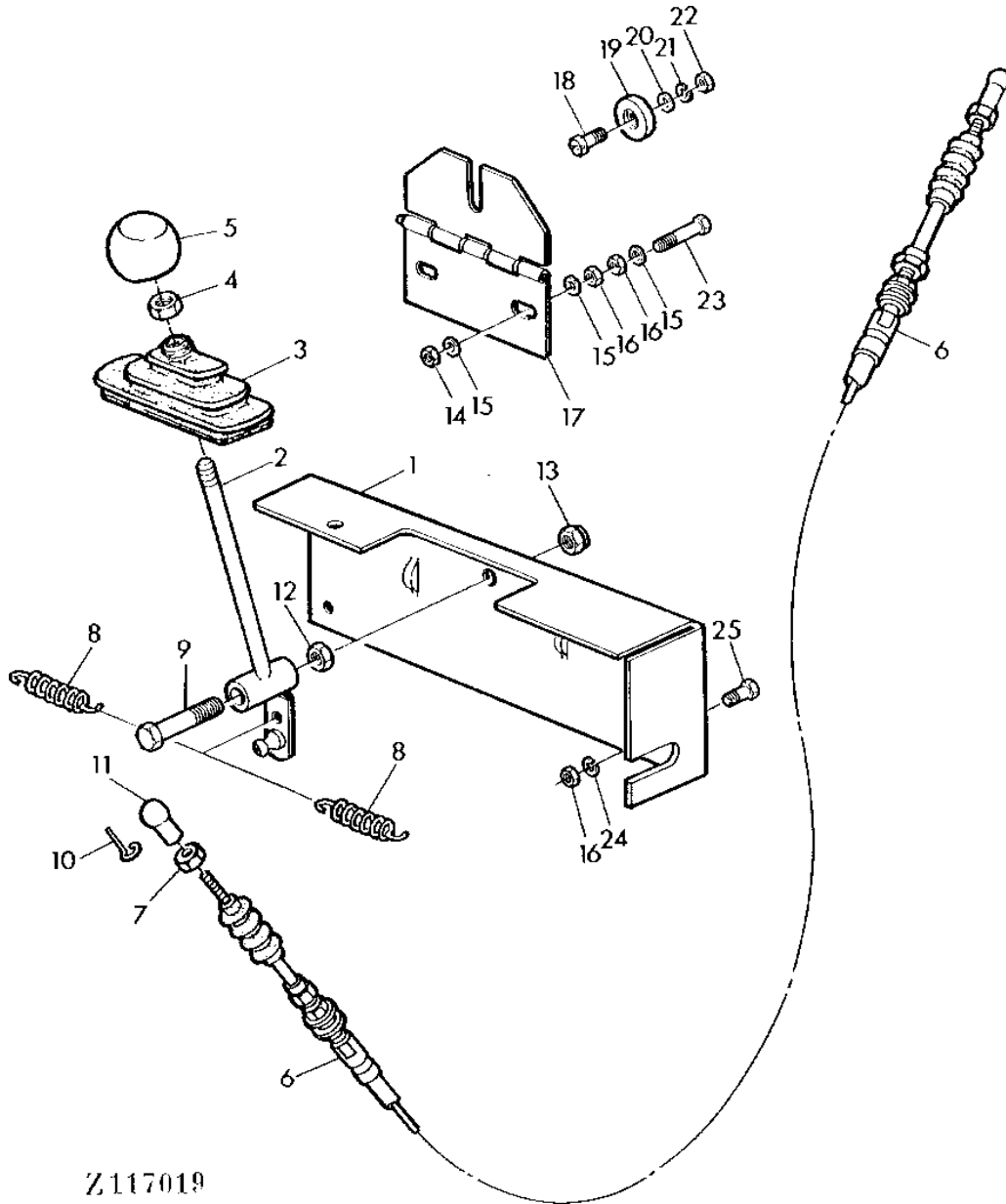
KEY	PART NO.	PART NAME	QTY	SERIAL NO.	4 4 4 3 4 5 3 H 5 Y	REMARKS
1	56M5258	BALL JOINT RETAINER	4		X X	
2	AZ24935	PUSH PULL CABLE	2		X X	2480MM(97.64") LONG
3	14M7297	NUT	4		X X	M5
4	56M5259	BALL JOINT SOCKET	4		X X	
5	AZ36996	RETAINER	1		X X	
6	19M7139	CAP SCREW	4		X X	M8 X 20
7	14M7029	NUT	4		X X	M8
8	12M7008	LOCK WASHER	4		X X	8.100 MM
9	Z41952	BAIL	1		X X	
10	19M7159	CAP SCREW	2		X X	M6 X 15
11	14M7027	NUT	2		X X	M6
12	12M7012	LOCK WASHER	2		X X	6.100 MM
13	Z34588	BOOT	4		X X	

3C18

OPERATOR'S STATION

Z117019 -UN-01JAN94

UNLOADING AUGER SWING CONTROL LINKAGE



Z117019

3C19

OPERATOR'S STATION

UNLOADING AUGER SWING CONTROL LINKAGE - CONTINUED

KEY	PART NO.	PART NAME	QTY	SERIAL NO.	4 4 4 3 4 5 3 H 5 Y	REMARKS
1	Z51461	CASE	1		X X	
2	AZ40253	LEVER	1		X X	
3	Z44660	BOOT	1		X X	
4	14M7152	NUT	1		X X	M10
5	Z31208	KNOB	1		X X	
6	AZ24935	PUSH PULL CABLE	1		X X	2480MM (97.64")LONG
7	14M7028	NUT	AR		X X	M5
8	L12731	SPRING	2		X X	
9	19M7331	CAP SCREW	1		X X	M12 X 65
10	56M5258	BALL JOINT RETAINER	2		X X	
11	56M5259	BALL JOINT SOCKET	2		X X	
12	14M7031	NUT	1		X X	M12
13	14M7168	LOCK NUT	1		X X	M12
14	14M7165	LOCK NUT	AR		X X	M6
15	Z26250	WASHER	AR		X X	
16	14M7027	NUT	AR		X X	M6
17	AZ40250	HINGE	1		X X	
18	21M7135	SCREW	1		X X	M4 X 25
19	L55078	MAGNET	1		X X	
20	24M7117	WASHER	AR		X X	4.300 X 9 X 0.800 MM
21	12M7031	LOCK WASHER	AR		X X	4.100 MM
22	14M7139	NUT	AR		X X	M4
23	19M6755	CAP SCREW	AR		X X	M6 X 35
24	12M7012	LOCK WASHER	AR		X X	6.100 MM
25	19M6614	CAP SCREW	AR		X X	M6 X 12

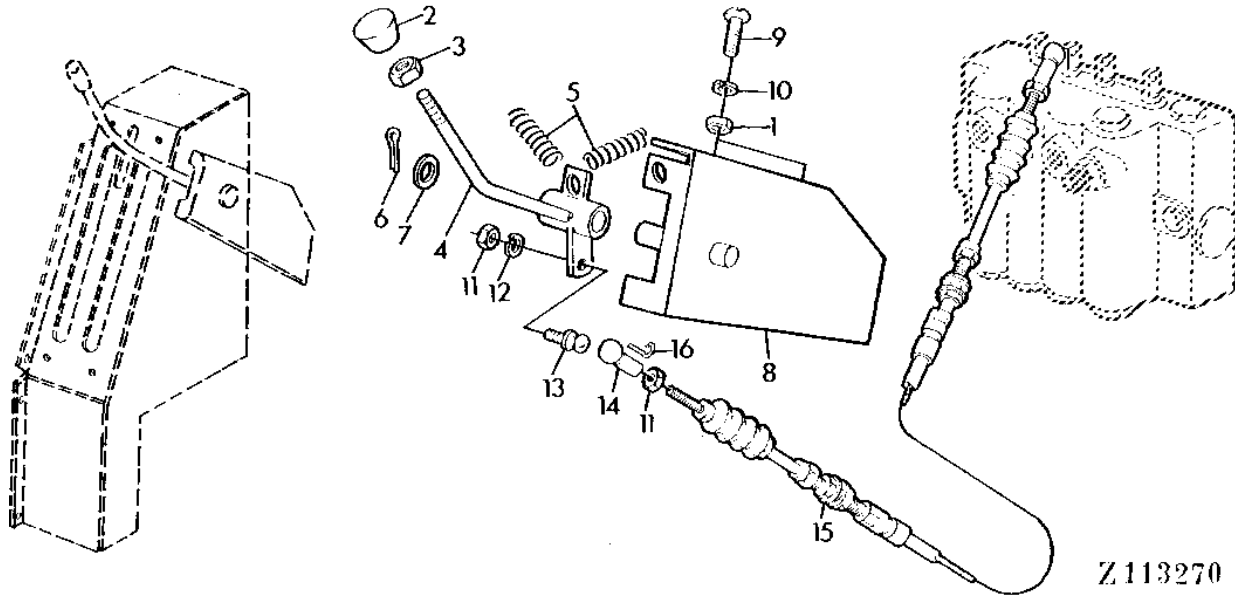
MEMORANDA

3C20

OPERATOR'S STATION

Z113270 -UN-01JAN94

CYLINDER SPEED CONTROL LEVER



Z113270

4
4
4 3
4 5
3 H
5 Y

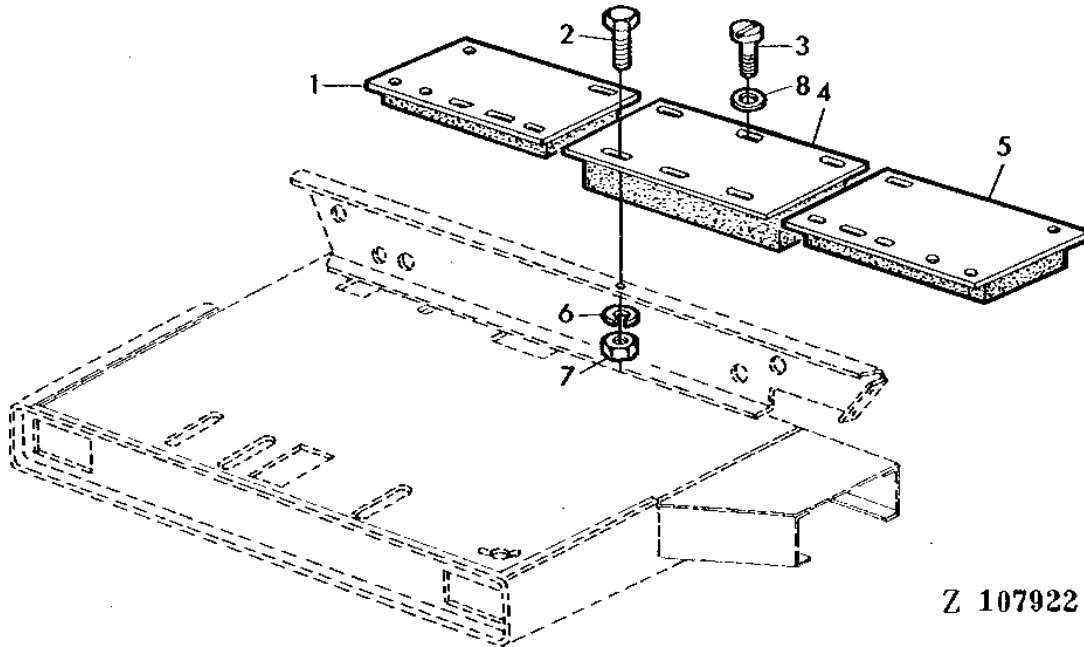
KEY	PART NO.	PART NAME	QTY	SERIAL NO.	REMARKS
1	14M7029	NUT	AR	X X	M8
2	L13781	KNOB	1	X X	
3	14M7152	NUT	1	X X	M10
4	AZ35437	LEVER	1	X X	
5	L12731	SPRING	2	X X	
6	11M7013	COTTER PIN	1	X X	3.200 X 18 MM
7	24M7111	WASHER	1	X X	13 X 25 X 3 MM
8	AZ23852	HOLDER	1	X X	
9	21M7081	SCREW	AR	X X	M8 X 15
10	12M7008	LOCK WASHER	AR	X X	8.100 MM
11	14M7297	NUT	AR	X X	M5
12	12M7011	LOCK WASHER	AR	X X	5.100 MM
13	55M7003	BALL STUD	2	X X	
14	56M5259	BALL JOINT SOCKET	2	X X	
15	AZ26176	PUSH PULL CABLE	1	X X	1940MM(76.38") LONG, INCL.KEYS 13,14,16
16	56M5258	BALL JOINT RETAINER	2	X X	

3C21

OPERATOR'S STATION

Z107922 -UN-01JAN94

OPERATOR'S PLATFORM SOUNDPROOFING



Z 107922

4
4
4 3
4 5
3 H
5 Y

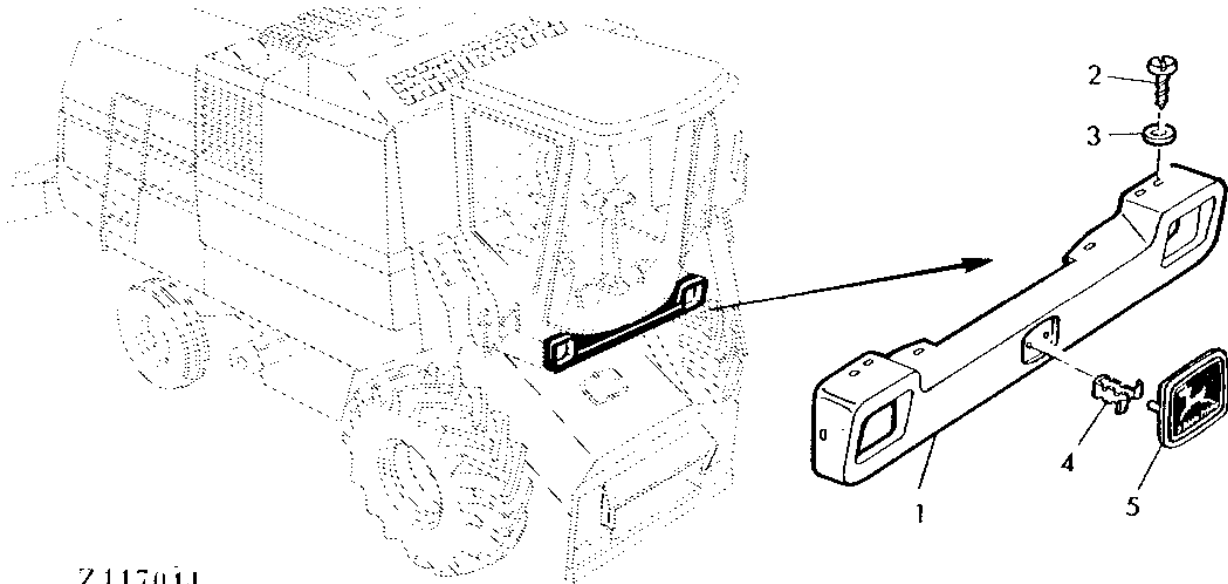
KEY	PART NO.	PART NAME	QTY	SERIAL NO.	REMARKS
1	AZ30437	COVER	1		X X
2	19M7159	CAP SCREW	AR		X X M6 X 15
3	37M7020	SCREW	AR		X X 4,2 X 13MM
4	AZ30429	COVER	1		X X
5	AZ30436	COVER	1		X X
6	12M7011	LOCK WASHER	AR		X X 5.100 MM
7	14M7027	NUT	AR		X X M6
8	24M7027	WASHER	AR		X X 5.300 X 10 X 1 MM

3C22

OPERATOR'S STATION

Z117044 -UN-01JAN94

OPERATOR'S PLATFORM COVER PLATE



Z117044

4
4
4 3
4 5
3 H
5 Y

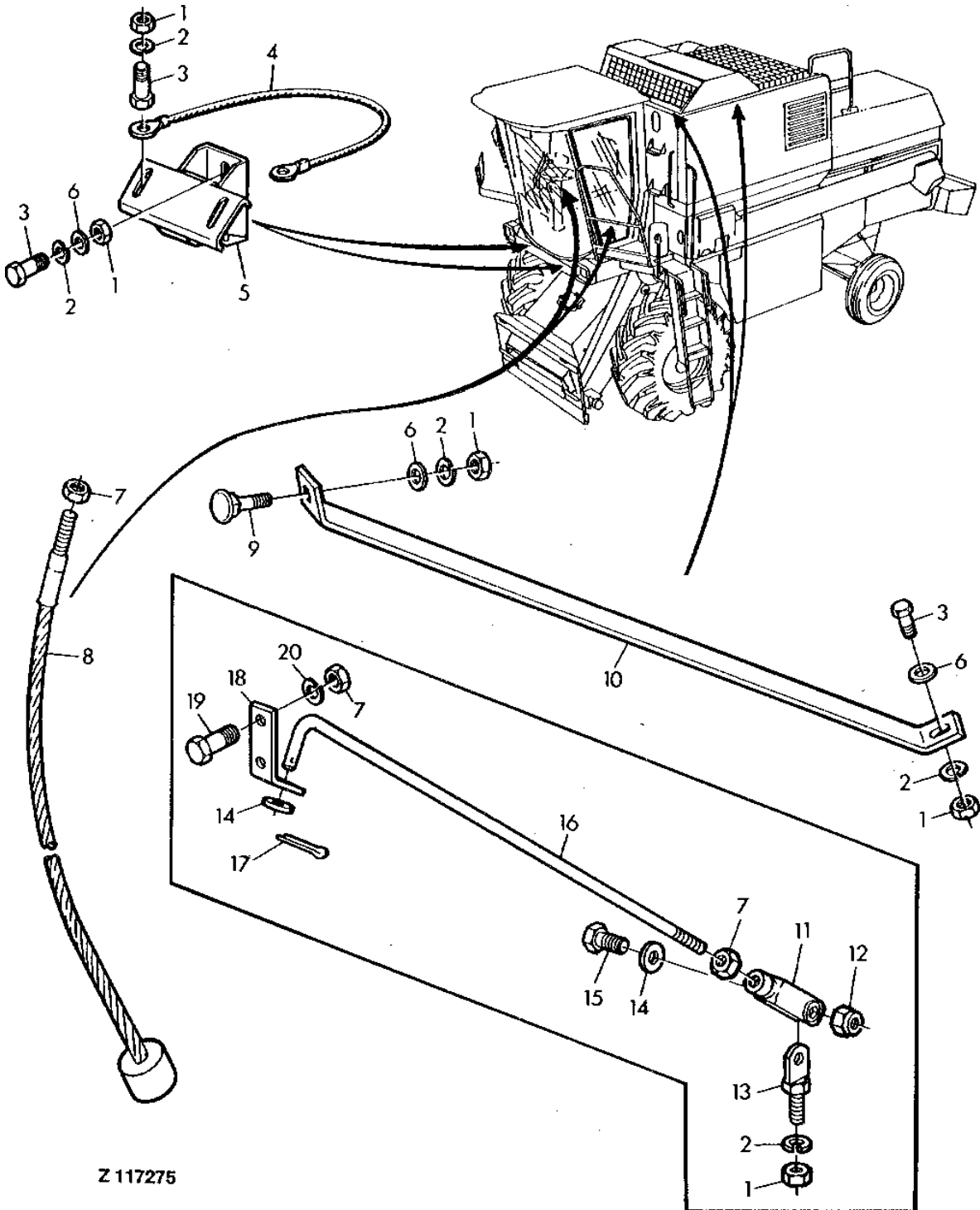
KEY	PART NO.	PART NAME	QTY	SERIAL NO.	REMARKS
1	Z48163	SHEET	1	X X	
2	37M7115	SCREW	AR	X X	4,8 X 13MM
3	24M7257	WASHER	AR	X X	5.500 X 18 X 2 MM
4	L31750	CLIP	1	X X	
5	Z48160	MEDALLION	2	X X	

3C23

OPERATOR'S STATION

Z117275 -UN-01JAN94

CAB ATTACHING PARTS



3C24

OPERATOR'S STATION

CAB ATTACHING PARTS - CONTINUED

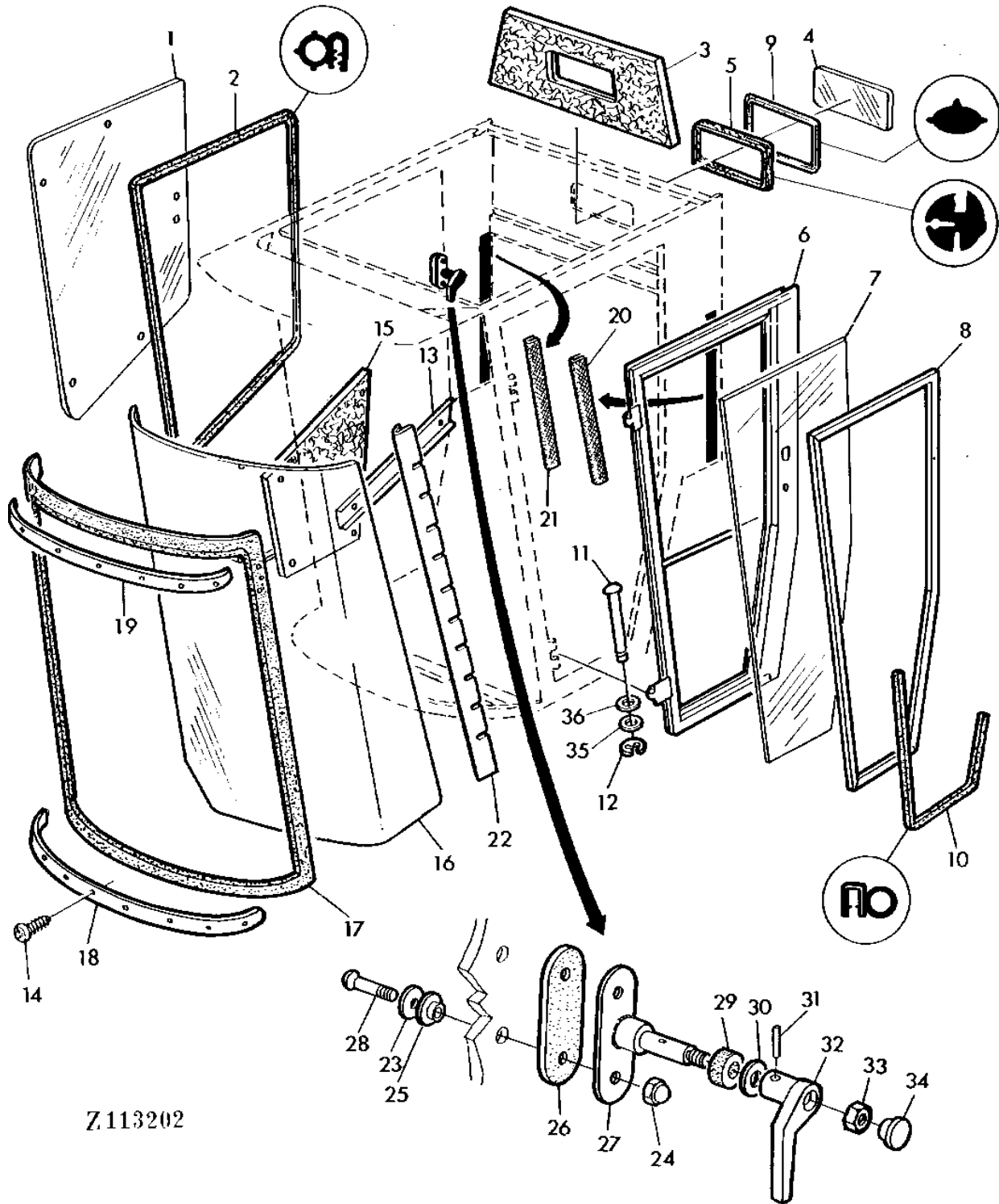
KEY	PART NO.	PART NAME	QTY	SERIAL NO.	4 4 4 3 4 5 3 H 5 Y	REMARKS
1	14M7140	NUT	AR		X X	M10
2	12M7013	LOCK WASHER	AR		X X	10.200 MM
3	19M7167	CAP SCREW	AR		X X	M10 X 25
4	AZ30941	POWER CORD	1		X X	
5	AZ38363	BRACKET	4		X X	
6	24M7040	WASHER	AR		X X	11 X 20 X 2 MM
7	14M7031	NUT	AR		X X	M12
8	AZ29991	CABLE	2		X X	
9	03M7085	BOLT	AR		X	M10 X 30
10	Z53264	BRACE	2		X	
11	Z24493	YOKE	2		X	
12	14M7168	LOCK NUT	2		X	M12
13	DA19456	EYEBOLT	2		X	
14	24M7047	WASHER	AR		X	13 X 24 X 2.500 MM
15	19M7387	CAP SCREW	2		X	M12 X 40
16	Z40592	ROD	2		X	
17	11M7021	COTTER PIN	2		X	4 X 25 MM
18	Z40573	HOLDER	2		X	
19	19M7168	CAP SCREW	2		X	M10 X 30
20	12M7014	LOCK WASHER	2		X X	12.200 MM

3D1

OPERATOR'S STATION

Z113202 -UN-01JAN94

CAB WINDOWS AND MOLDINGS



Z113202

3D2

OPERATOR'S STATION

CAB WINDOWS AND MOLDINGS - CONTINUED

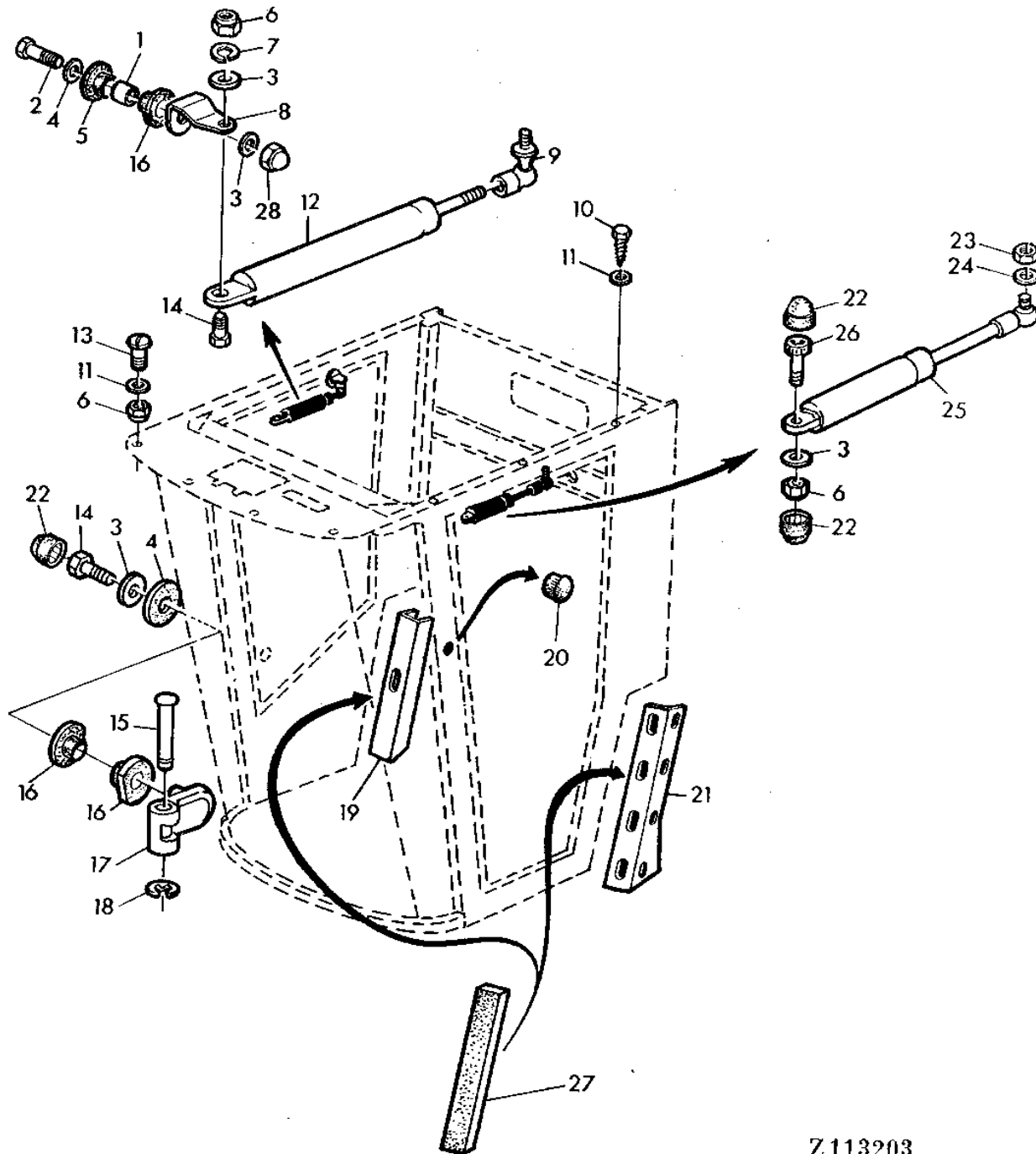
KEY	PART NO.	PART NAME	QTY	SERIAL NO.	4 4 4 3 4 5 3 H 5 Y	REMARKS
1	Z44227	WINDOW	1		X X	
2	Z41354	MOLDING	1		X X	
3	Z41328	FOAM PAD	1		X X	
4	Z44229	WINDOW	1		X X	
5	Z41371	GASKET	1		X X	
6	AZ30928	FRAME	1		X X	
7	Z44228	WINDOW	1		X X	
8	AZ30929	FRAME	1		X X	
9	Z41388	SHAFT KEY	1		X X	
10	Z41300	MOLDING	1		X X	
11	Z41360	PIN	2		X X	
12	40M7126	SNAP RING	2		X X	9 X 1MM
13	Z41363	SHIELD	1		X X	
14	21M7305	SCREW	AR		X X	M6 X 12
15	AZ33166	GUSSET	1		X X	
16	Z48131	WINDOW	1		X X	
17	Z48128	FRAME	1		X X	
18	AZ38428	RETAINER	1		X X	
19	Z41325	HOLDER	1		X X	
20	Z41652	GUARD	1		X X	
21	Z41362	GUARD	1		X X	
22	Z48138	ANGLE	2		X X	
23	L37975	LOCK WASHER	2		X X	
24	14M7376	LOCK NUT	1		X X	M6
25	L55163	WASHER	2		X X	
26	L38083	STRAP	AR		X X	
27	AZ37727	RETAINER	1		X X	
28	21M7310	SCREW	AR		X X	M6 X 25
29	T27260	WASHER	1		X X	
30	24M7252	WASHER	1		X X	13 X 20 X 2 MM
31	34M7126	SPRING PIN	1		X X	5 X 12 MM
32	Z41358	HANDLE	1		X X	
33	14M7027	NUT	AR		X X	M6
34	99M7070	PLUG	1		X X	
35	Z41659	WASHER	AR		X X	TK = 1MM
36	Z41660	WASHER	AR		X X	TK = 2MM

3D3

OPERATOR'S STATION

Z113203 -UN-01JAN94

CAB MOUNTING AND CYLINDERS



Z113203

3D4

OPERATOR'S STATION

CAB MOUNTING AND CYLINDERS - CONTINUED

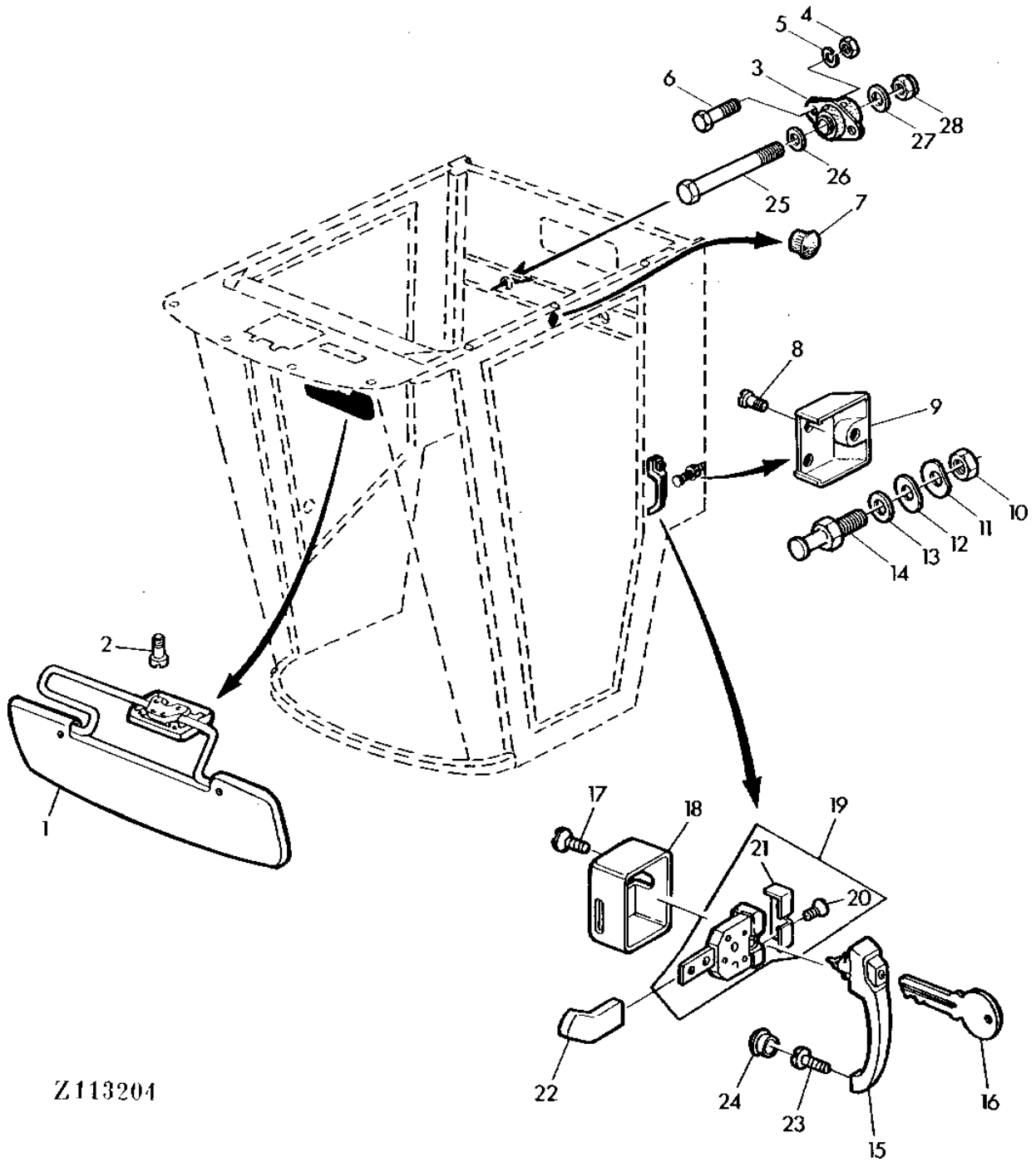
KEY	PART NO.	PART NAME	QTY	SERIAL NO.	4 4 4 3 4 5 3 H 5 Y	REMARKS
1	Z47443	BUSHING	2		X X	
2	21M7310	SCREW	AR		X X	M6 X 25
3	24M7244	WASHER	AR		X X	6.400 X 12 X 1.600 MM
4	L37975	LOCK WASHER	AR		X X	
5	Z41356	WASHER	6		X X	
6	14M7165	LOCK NUT	AR		X X	M6
7	12M7012	LOCK WASHER	AR		X X	6.100 MM
8	Z47444	RETAINER	2		X X	
9	AZ30947	BALL JOINT	2		X X	
10	37M7129	SCREW	AR		X X	M6 X 25
11	Z41630	WASHER	AR		X X	
12	Z41385	CYLINDER	2		X X	
13	21M7308	SCREW	AR		X X	M6 X 18
14	21M7292	SCREW	AR		X X	M6 X 16
15	Z41346	PIN	2		X X	
16	Z41352	SPACER	2		X X	
17	Z41355	HINGE	2		X X	
18	40M6183	SNAP RING	2		X X	7 X 0,9MM
19	Z41361	REINFORCEMENT	1		X X	
20	Z41376	PLUG	2		X X	
21	Z41331	ANGLE	1		X X	
22	Z41380	CAP	AR		X X	
23	14M7166	LOCK NUT	AR		X X	M8
24	24M7055	WASHER	AR		X X	8.400 X 16 X 1.600 MM
25	AZ37858	HYDROPNEUMATIC SPRING	1		X X	
26	19M8263	SCREW	1		X X	M6 X 30
27	R50698	ISOLATOR	2		X X	1029MM (40.51") LONG
28	14M7376	LOCK NUT	AR		X X	M6

3D5

OPERATOR'S STATION

Z113204 -UN-01JAN94

VISOR AND DOOR HANDLE



Z113204

3D6

OPERATOR'S STATION

VISOR AND DOOR HANDLE - CONTINUED

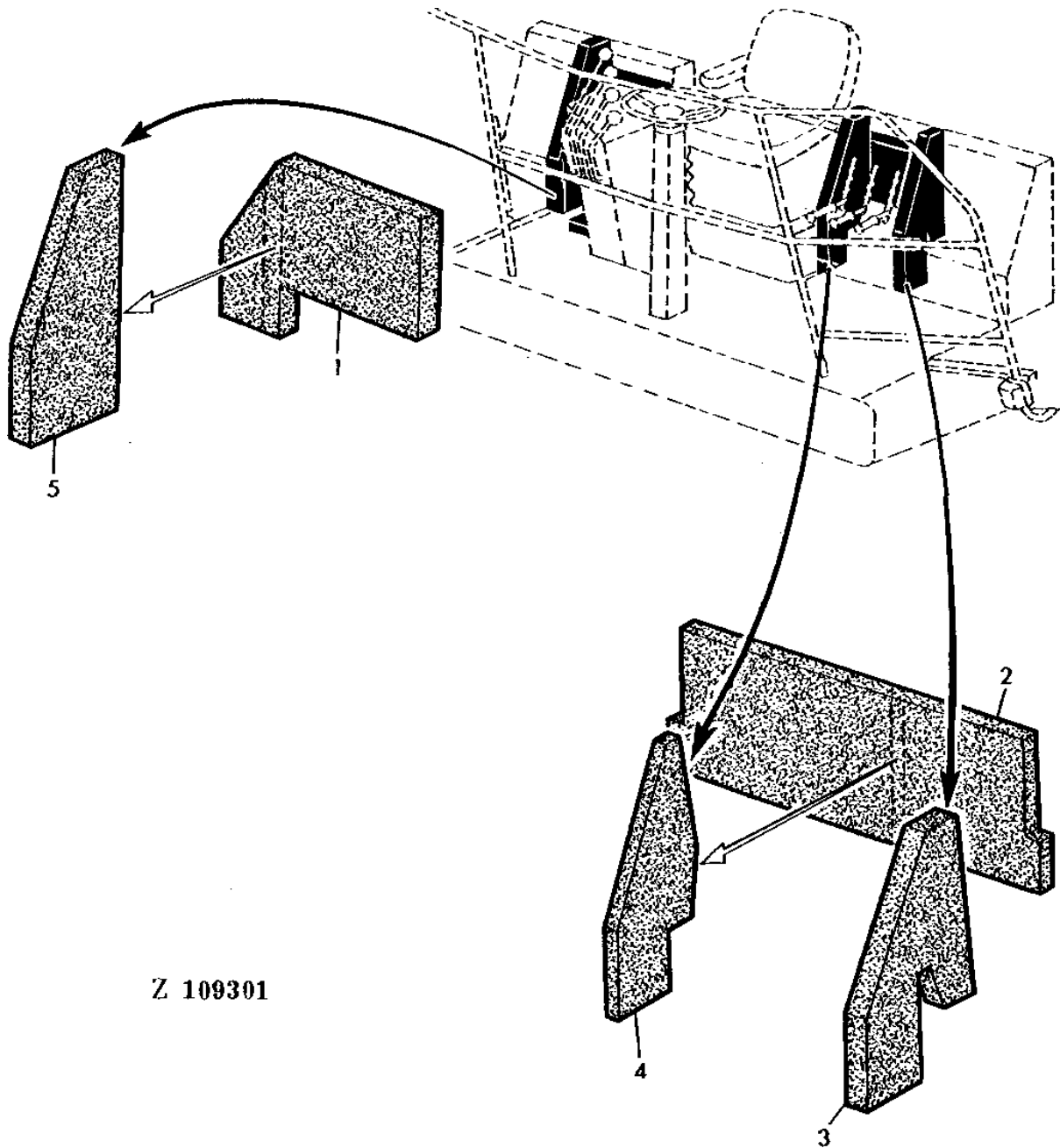
KEY	PART NO.	PART NAME	QTY	SERIAL NO.	REMARKS
				4	
				4	
				4 3	
				4 5	
				3 H	
				5 Y	
1	AZ38430	SUN VISOR	1		X X
2	21M7040	SCREW	AR		X X M5 X 20
3	AZ37730	FLANGE	2		X X
4	14M7140	NUT	AR		X X M10
5	12M7013	LOCK WASHER	AR		X X 10.200 MM
6	19M7166	CAP SCREW	AR		X X M10 X 20
7	Z41375	PLUG	2		X X
8	37M7122	SCREW	AR		X X M6 X 12
9	Z41646	SHIELD	1		X X
10	Z41915	NUT	1		X X
11	Z41649	WASHER	1		X X
12	Z41651	WASHER	1		X X
13	24M7107	WASHER	1		X X 14 X 28 X 3 MM
14	L62039	STRIKER	1		X X
15	AZ30942	HANDLE	1		X X
16	Z47455	KEY	1		X X
17	37M7123	SCREW	2		X X M5 X 20
18	Z41335	CASE	1		X X
19	AZ30943	LOCK	1		X X
20	R50499	SCREW	AR		X X
21	Z41377	GUIDE	1		X X
22	Z45831	GRIP	1		X X
23	37M7128	SCREW	AR		X X M6 X 20
24	Z41379	PLUG	1		X X
25	19M7590	CAP SCREW	2		X X M12 X 100
26	24M7047	WASHER	2		X X 13 X 24 X 2.500 MM
27	Z47447	WASHER	2		X X
28	14M7168	LOCK NUT	2		X X M12

3D7

OPERATOR'S STATION

Z109301 -UN-01JAN94

CAB SOUNDPROOFING



Z 109301

3D8

OPERATOR'S STATION

CAB SOUNDPROOFING - CONTINUED

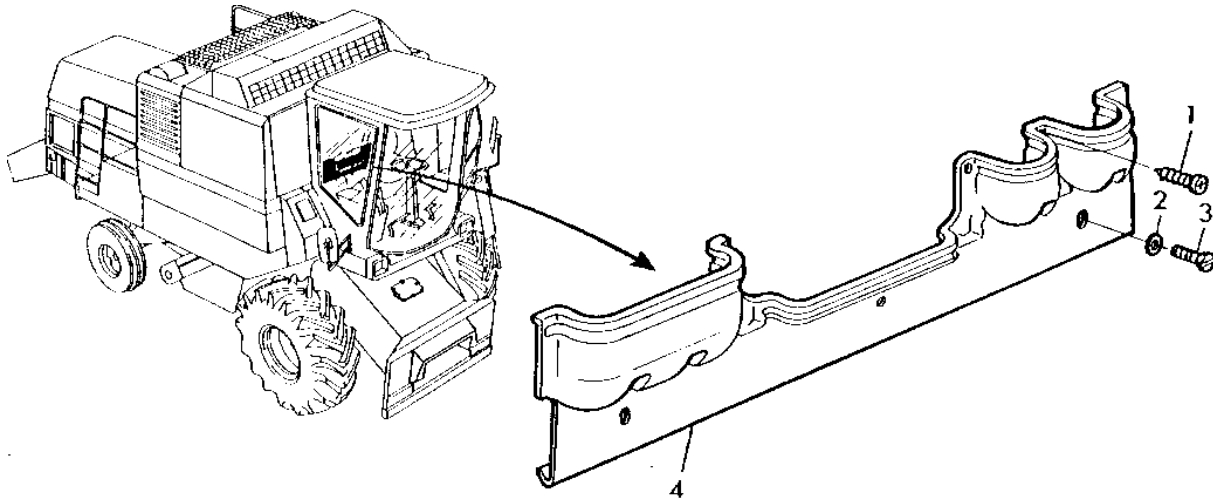
KEY	PART NO.	PART NAME	QTY	SERIAL NO.	4 4 4 3 4 5 3 H 5 Y	REMARKS
1	Z41953	ISOLATOR	1		X X	
2	Z41551	ISOLATOR	1		X X	
3	Z41554	ISOLATOR	1		X X	
4	Z41553	ISOLATOR	1		X X	
5	Z41552	ISOLATOR	1		X X	

3D9

OPERATOR'S STATION

Z117047 -UN-01JAN94

CAB STORAGE RACK



Z117047

4
4
4 3
4 5
3 H
5 Y

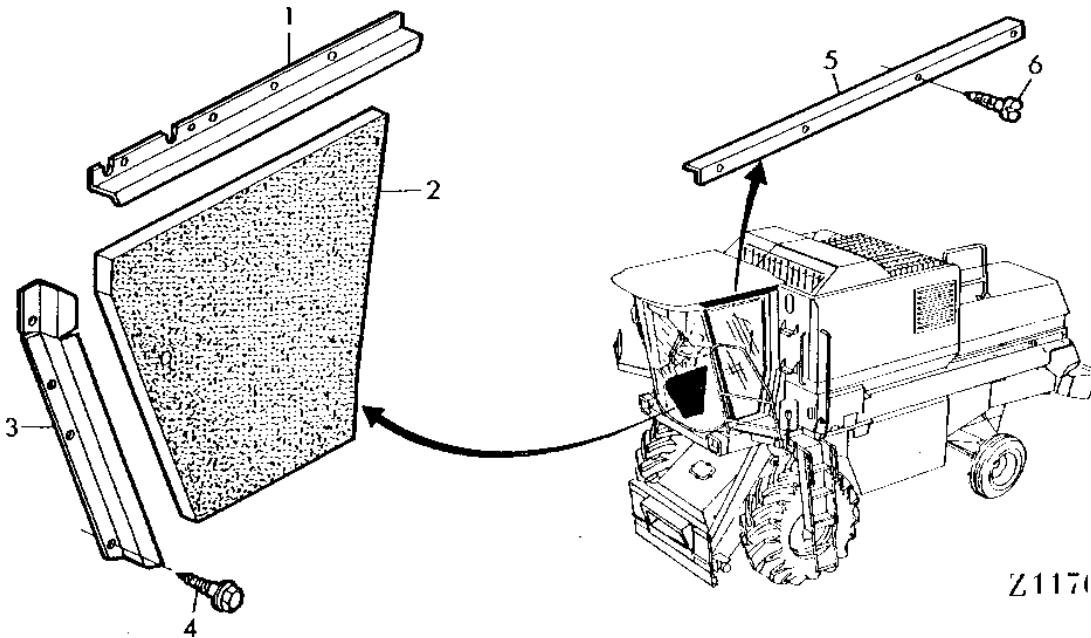
KEY	PART NO.	PART NAME	QTY	SERIAL NO.	REMARKS
1	37M7180	SCREW	AR	X X	4,8 X 16MM
2	24M7261	WASHER	AR	X X	6.600 X 12 X 1.600 MM
3	21M7305	SCREW	AR	X X	M6 X 12
4	Z48080	SHIELD	1	X X	

3D10

OPERATOR'S STATION

Z117046 -UN-01JAN94

CAB SOUNDPROOFING (RIGHT-HAND)



Z117046

4
4
4 3
4 5
3 H
5 Y

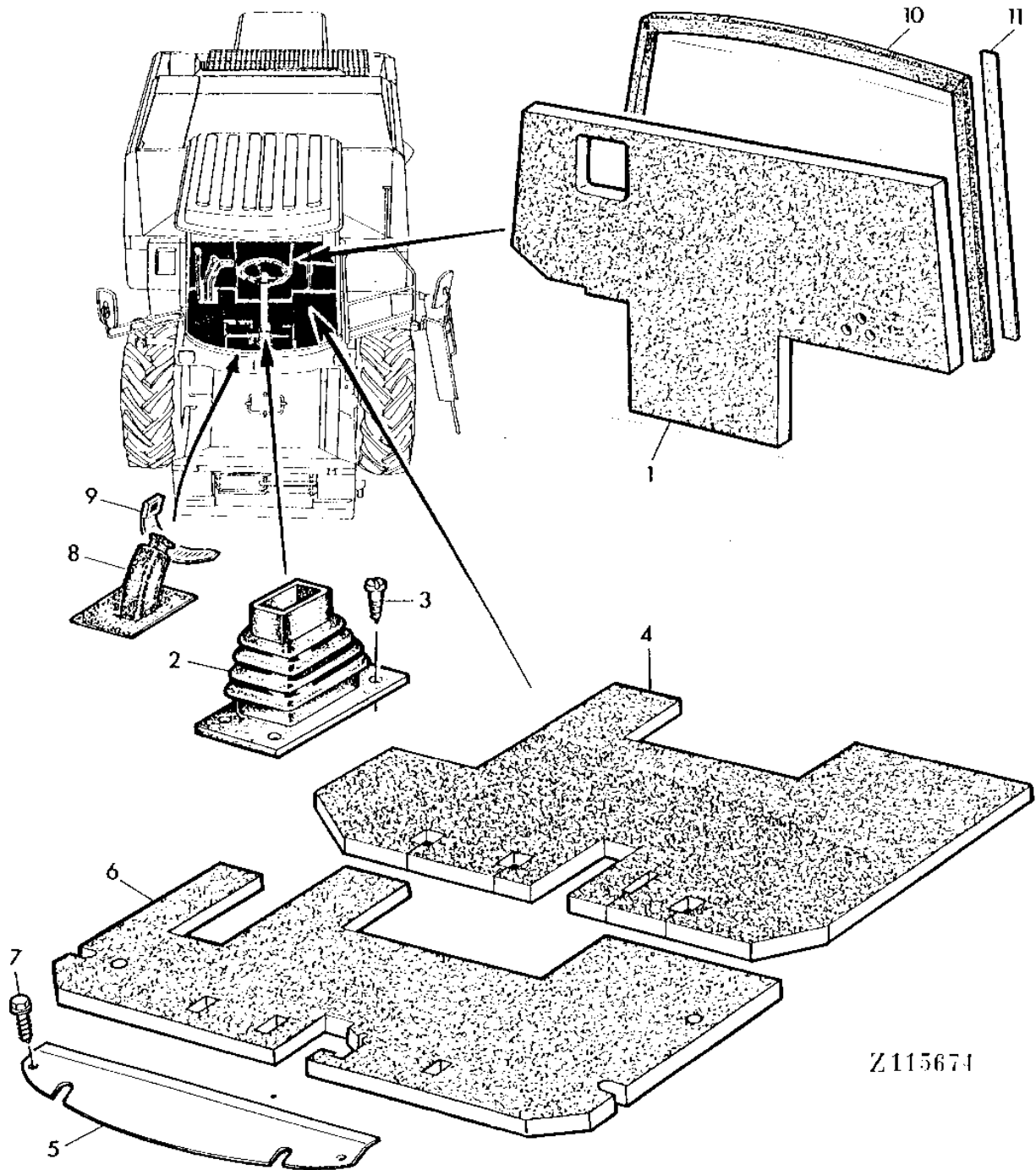
KEY	PART NO.	PART NAME	QTY	SERIAL NO.	REMARKS
1	Z40746	REINFORCEMENT	1	X X	
2	Z40751	BARRIER	1	X X	
3	Z40745	REINFORCEMENT	1	X X	
4	Z41631	SCREW	7	X X	
5	Z41333	ANGLE	2	X X	
6	37M7111	SCREW	4	X X	4,8 X 13MM

3D11

OPERATOR'S STATION

Z115674 -UN-01JAN94

FLOOR MATS



Z115674

3D12

OPERATOR'S STATION

FLOOR MATS - CONTINUED

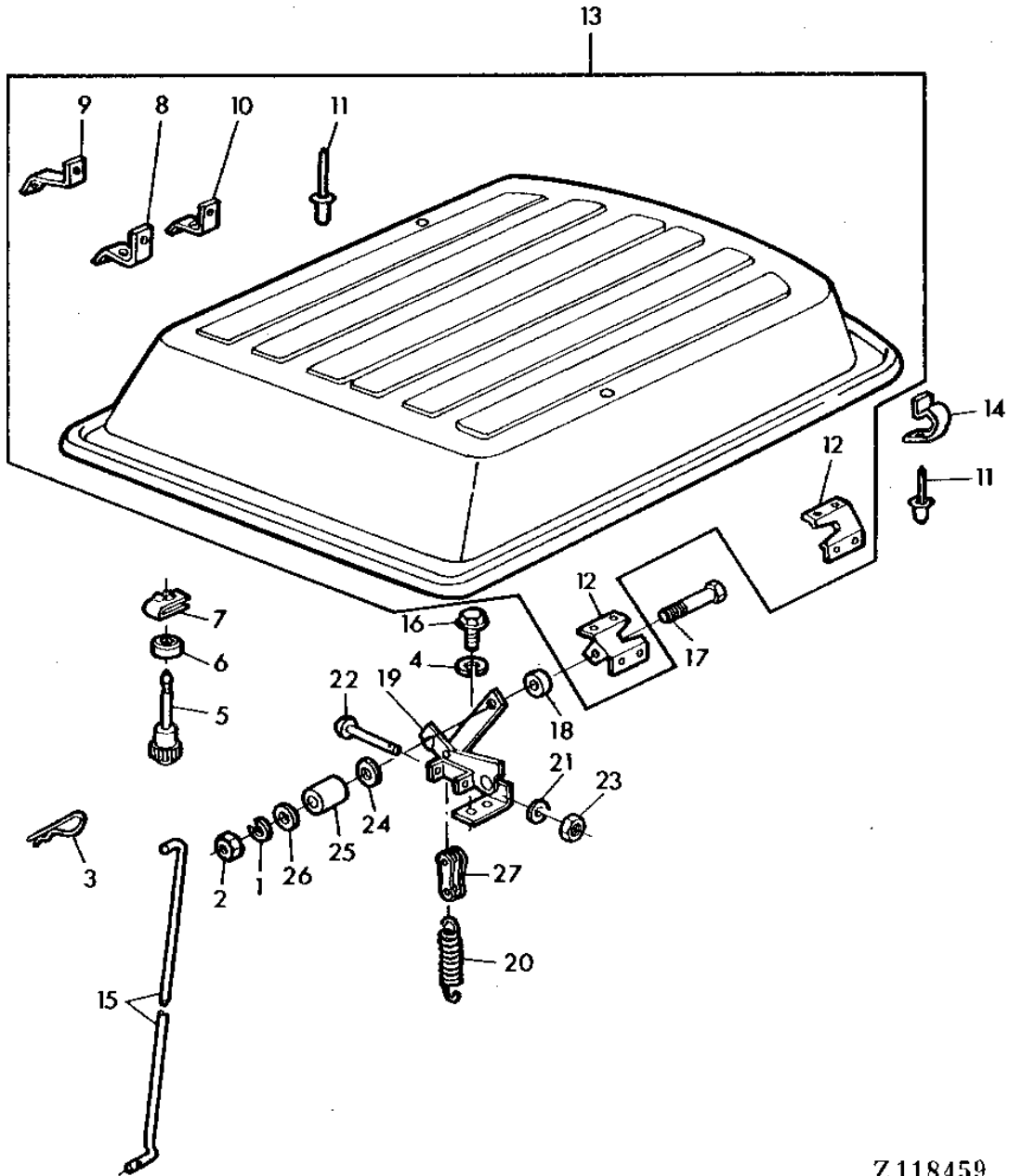
KEY	PART NO.	PART NAME	QTY	SERIAL NO.	4 4 4 3 4 5 3 H 5 Y	REMARKS
1	Z48078	BARRIER	1		X X	
2	Z46157	BOOT	1		X X	
3	37M7029	SCREW	AR		X X	5,5 X 13MM
4	AZ36810	MAT	1		X	
	AZ36808	MAT	1		X	
5	AZ38320	SHIELD	1		X X	(SUB Z48036)
	Z48036	SHIELD	1		X X	
6	Z46158	MAT	1		X X	
7	Z41631	SCREW	2		X X	
8	Z44797	BOOT	3		X	
	Z44797	BOOT	2		X	
9	R44302	TIE BAND	3		X X	
10	Z45400	WEATHERSTRIP	1		X X	ORDER WITH (4)Z45460
11	Z45460	TAPE	4		X X	1000 X 30MM(39.37" X 1.18)

3D13

OPERATOR'S STATION

Z118459 -UN-01JAN94

CAB ROOF



Z118459

3D14

OPERATOR'S STATION

CAB ROOF - CONTINUED

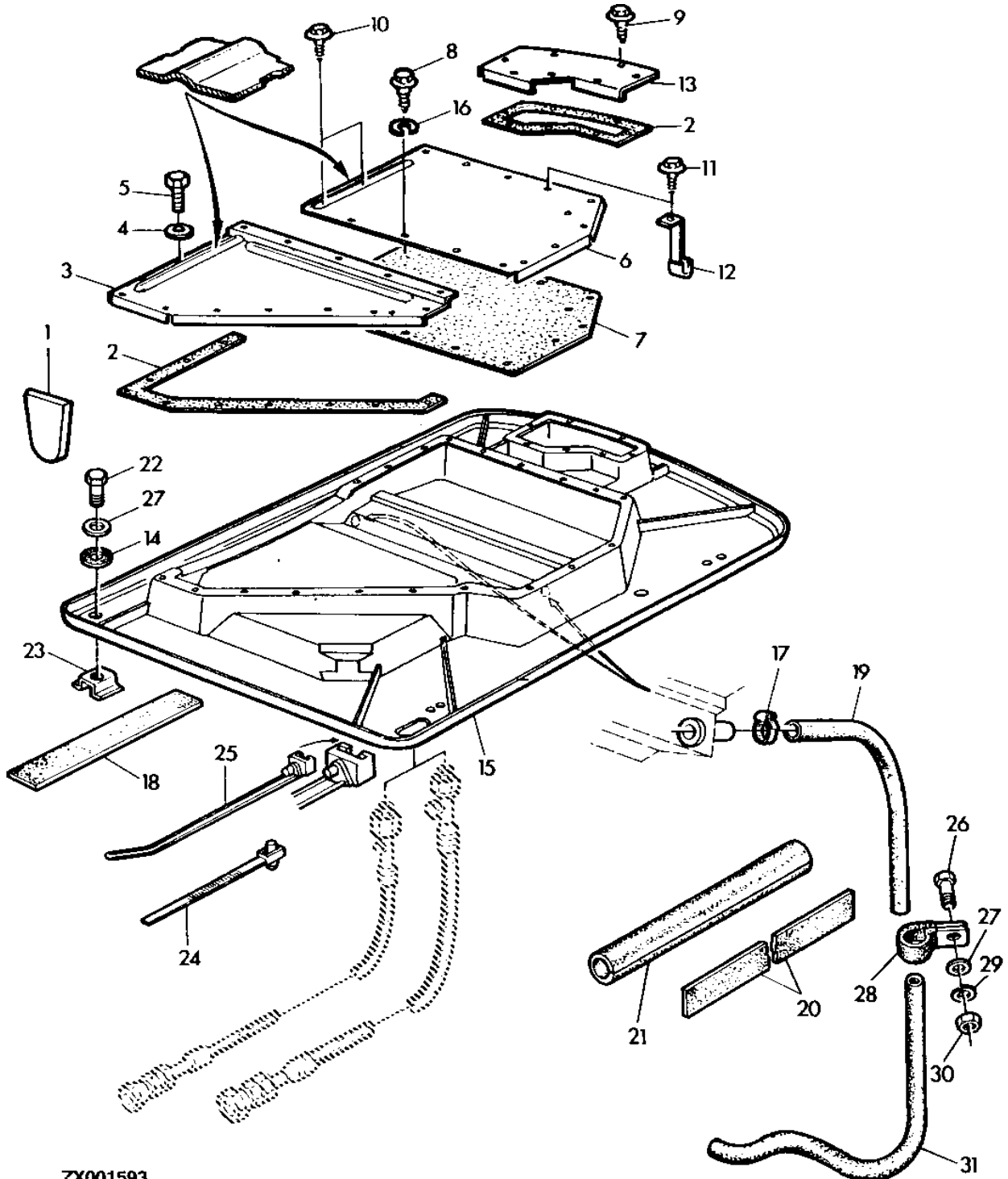
KEY	PART NO.	PART NAME	QTY	SERIAL NO.	REMARKS
					4
					4
					4 3
					4 5
					3 H
					5 Y
1	12H303	LOCK WASHER	2		X X 5/16"
2	14H785	NUT	2		X X 5/16"
3	P43660	SPRING LOCKING PIN	1		X X
4	24H1307	WASHER	4		X X 13/32"X1"
5	AH103515	KNOB	1		X X
6	R43661	RETAINER	1		X X
7	R50198	NUT	1		X X
8	Z46433	HOLDER	1		X X
9	Z46434	HOLDER	1		X X
10	Z46435	HOLDER	1		X X
11	R55326	RIVET	13		X X
12	H97622	SUPPORT	2		X X
13	AZ36859	COVER	1		X X
14	Z46866	CLAMP	4		X X
15	H120190	PIN	1		X X
16	21H1477	SCREW	4		X X 3/8"X1-1/4"
17	19H1901	CAP SCREW	2		X X 5/16"X2"
18	R51590	WASHER	1		X X
19	AH108756	SUPPORT	1		X X FRONT
	AH108757	SUPPORT	1		X X REAR
20	H124114	SPRING	2		X X
21	24M7055	WASHER	2		X X 8.4MM
22	19M8332	CAP SCREW	2		X X M6X90
23	14M7165	LOCK NUT	2		X X M6
24	24H1294	WASHER	2		X X
25	Z37452	SPACER	2		X X
26	24H1136	WASHER	2		X X 11/32"X11/16"X.060"
27	AH120712	CHAIN LINK	2		X X

3D15

OPERATOR'S STATION

ZX001593 -UN-01JAN94

INNER ROOF AND COVERS



ZX001593

3D16

OPERATOR'S STATION

INNER ROOF AND COVERS - CONTINUED

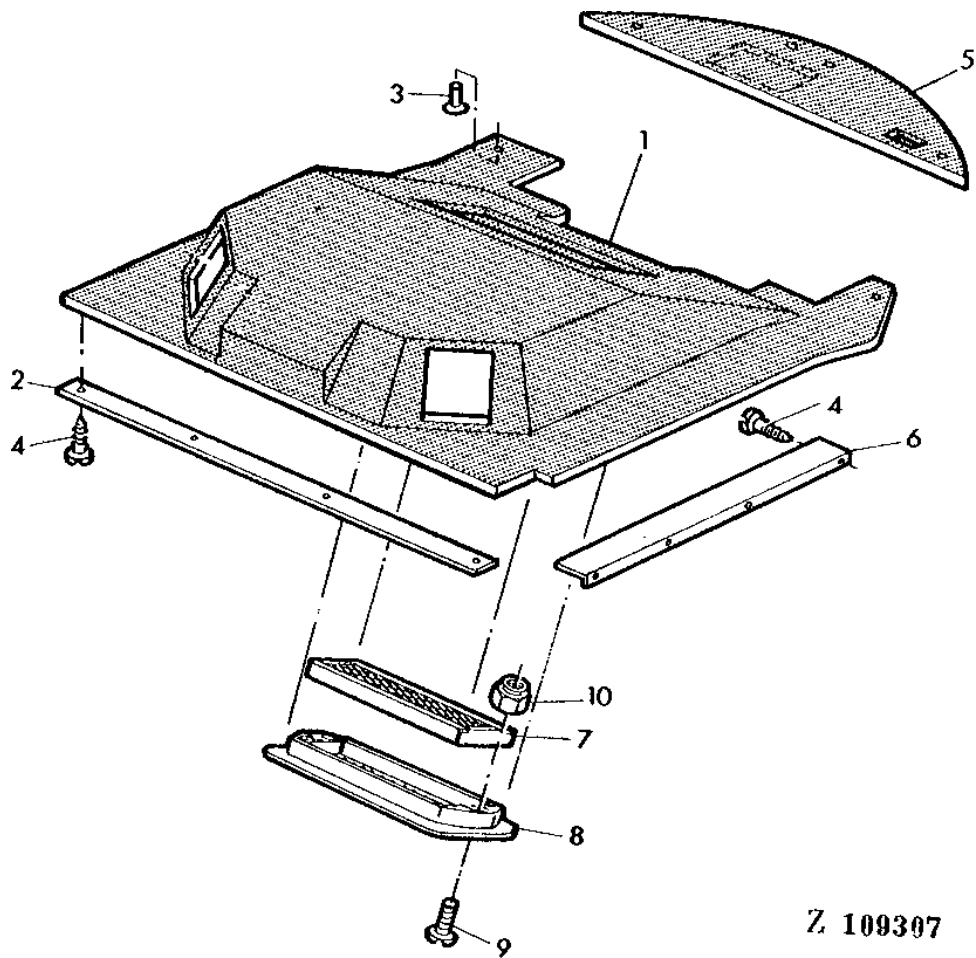
KEY	PART NO.	PART NAME	QTY	SERIAL NO.	4 4 4 3 4 5 3 H 5 Y	REMARKS
1	H97149	COVER	1		X X	
2	H88773	ISOLATOR	1		X X	
3	H122258	COVER	1		X X	
4	R52130	LOCK NUT	5		X X	
5	37H157	SCREW	5		X X	NO. 10 X 7/8"
6	Z47026	COVER	1		X X	
7	H98286	INSULATOR	1		X X	
8	37M7109	SCREW	3		X X	6,3 X 16MM
9	37H24	SCREW	26		X X	1/4" X 3/4"
10	37M7088	SCREW	2		X X	4,8 X 19 MM
11	37M7120	SCREW	3		X X	3,5 X 16 MM
12	R71357	CLIP	2		X X	
13	H97146	COVER	1		X X	
14	R68332	RIVET	21		X X	
15	AZ37739	ROOF	1		X X	
16	12H356	LOCK WASHER	3		X X	1/4"
17	Z40671	CLAMP	4		X X	
18	H88771	ISOLATOR	AR		X X	
19	Z41418	HOSE	2		X X	
20	Z41945	WEATHERSTRIP	1		X X	
21	Z41943	CONDUIT	1		X X	360 MM (14.17") LONG
	Z41942	CONDUIT	1		X X	600 MM (23.62") LONG
	Z41944	CONDUIT	1		X X	3800 MM (149.61") LONG
22	37M7129	SCREW	14		X X	M6 X 25
23	R69023	NUT	26		X X	
24	Z42196	CLAMP	1		X X	PKG.OF (6)
25	Z31799	CLAMP	AR		X X	
26	19M7077	CAP SCREW	2		X X	M6 X 20
27	Z26250	WASHER	2		X X	
28	R46415	CLAMP	2		X	(SUB H75541)
	H75541	CLAMP	2		X X	
29	12M7012	LOCK WASHER	2		X X	6.100 MM
30	14M7027	NUT	2		X X	M6
31	Z51762	HOSE	1		X X	1000 MM (39.37") LONG

3D17

OPERATOR'S STATION

Z109307 -UN-01JAN94

HEADLINER



Z 109307

3D18

OPERATOR'S STATION

HEADLINER - CONTINUED

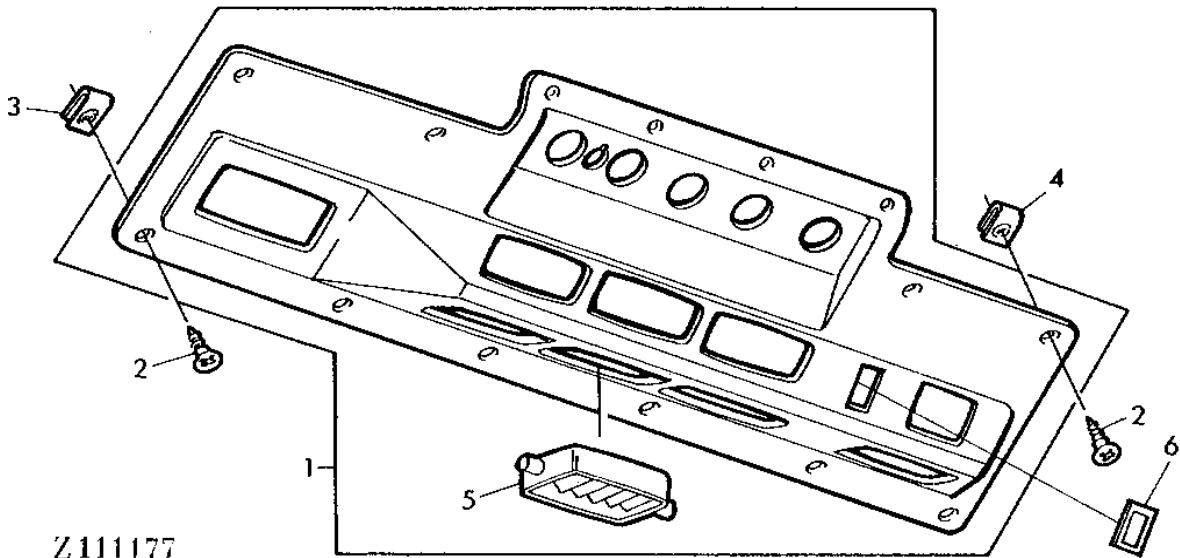
KEY	PART NO.	PART NAME	QTY	SERIAL NO.	4 4 4 3 4 5 3 H 5 Y	REMARKS
1	Z48129	HEADLINER	1		X X	REAR
2	H97625	RETAINER	1		X X	
3	R54748	STUD	5		X X	
4	R52708	SCREW	8		X X	
5	Z48140	ORIFICE	1		X X	FRONT
6	H97626	RETAINER	1		X X	
7	Z47445	FILTER	1		X X	
8	Z48130	ORIFICE	1		X X	
9	21H1398	SCREW	2		X X	1/4" X 1-3/4"
10	P43893	LOCK NUT	AR		X X	

3D19

OPERATOR'S STATION

Z111177 -UN-01JAN94

AIR OUTLET PANEL



Z111177

4
4
4 3
4 5
3 H
5 Y

KEY	PART NO.	PART NAME	QTY	SERIAL NO.	REMARKS
1	AZ38445	HEADLINER	1		X X
2	R52931	SCREW	14		X X
3	R50500	NUT	6		X X
4	R52130	LOCK NUT	8		X X
5	AR95969	AIR DUCT	5		X X FRONT
	AL39286	AIR DUCT	3		X X REAR
6	L38617	COVER	1		X X
7	R74205	PANEL	1		X X

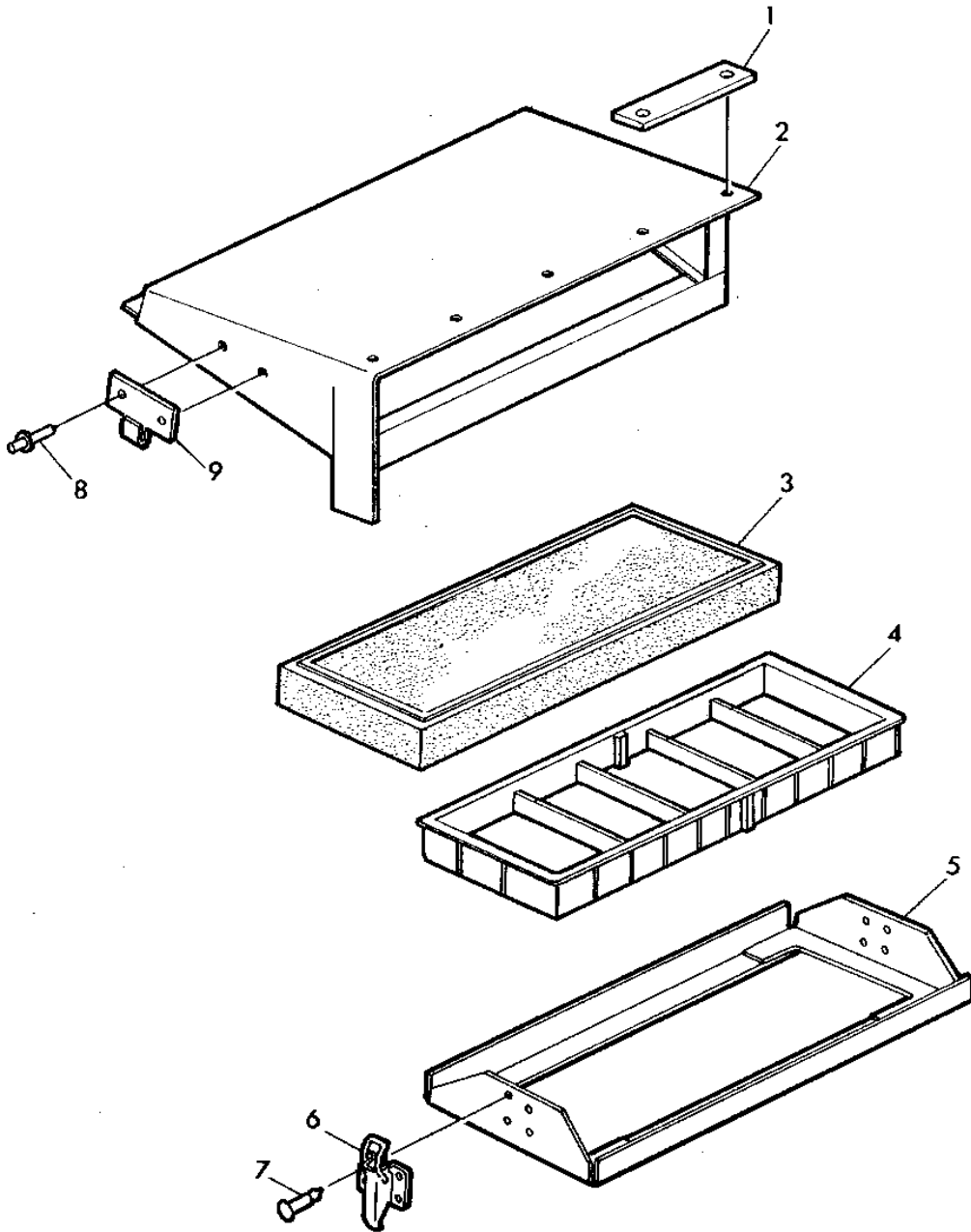
MEMORANDA

3D20

OPERATOR'S STATION

Z113208 -UN-01JAN94

CAB ROOF AIR FILTER



Z113208

3D21

OPERATOR'S STATION

CAB ROOF AIR FILTER - CONTINUED

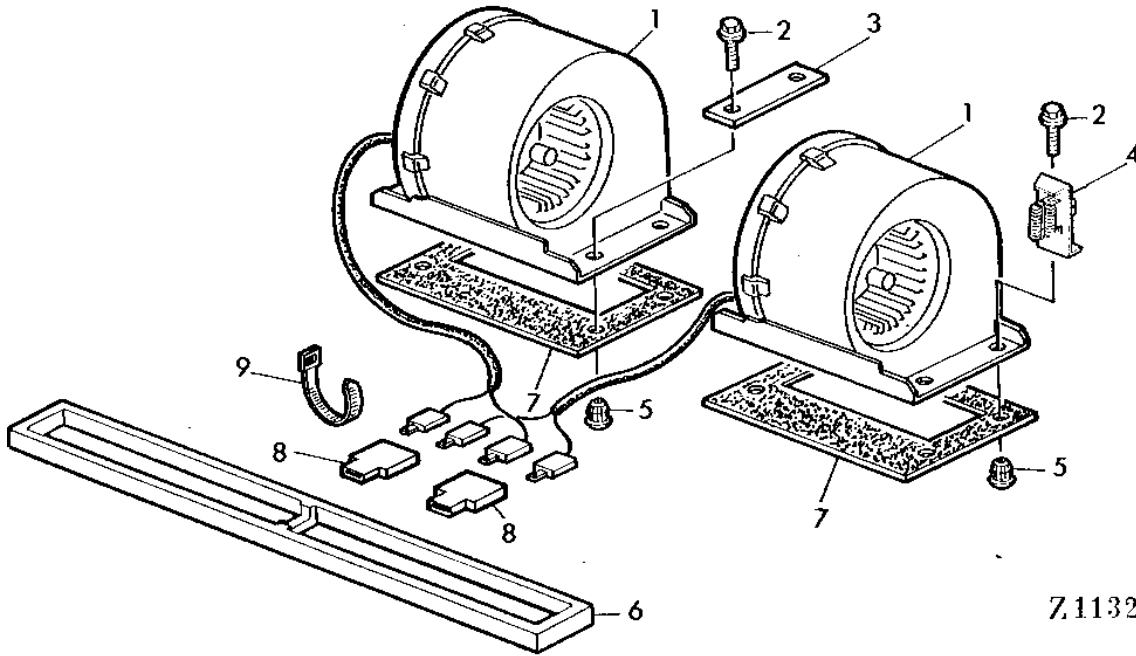
KEY	PART NO.	PART NAME	QTY	SERIAL NO.	4 4 4 3 4 5 3 H 5 Y	REMARKS
1	Z47512	STRAP	1		X X	
2	AZ37822	CASE	1		X X	
3	L38598	FILTER ELEMENT	1		X X	
4	L38599	FRAME	1		X X	
5	AZ37539	FRAME	1		X X	
6	H97643	LATCH	2		X X	
7	R66087	RIVET	8		X X	
8	Z47515	RIVET	AR		X X	
9	Z45760	SUPPORT	1		X X	

3D22

OPERATOR'S STATION

Z113211 -UN-01JAN94

CAB FAN



Z113211

4
4
4 3
4 5
3 H
5 Y

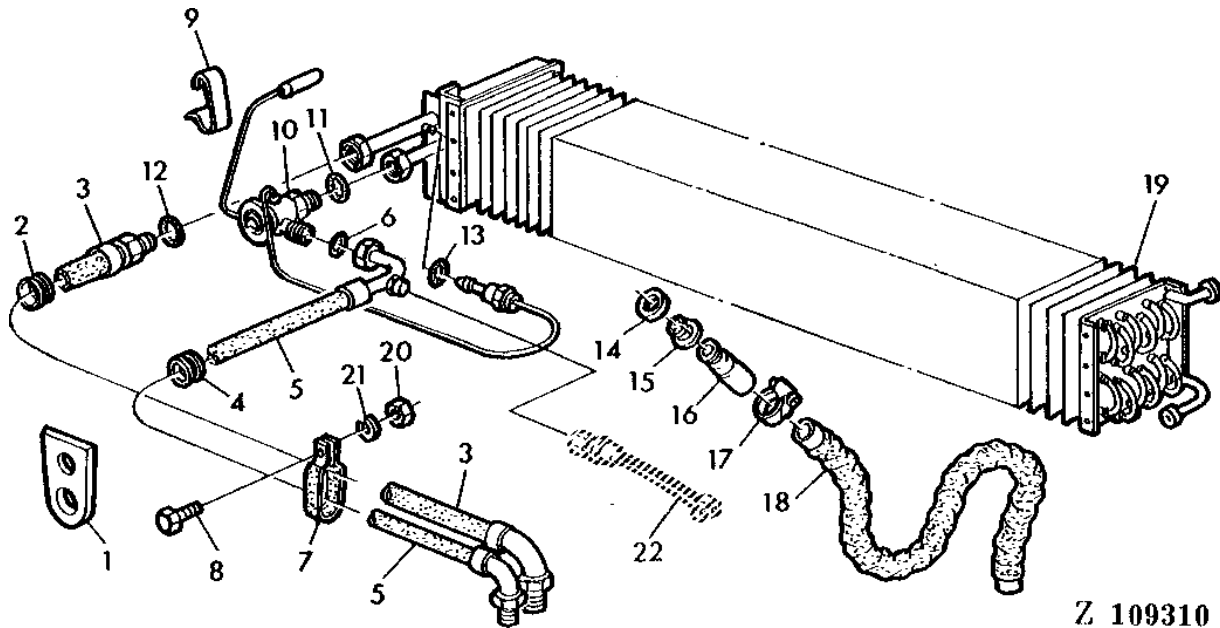
KEY	PART NO.	PART NAME	QTY	SERIAL NO.	REMARKS
1	AL39043	BLOWER	2	X X	
2	37M7191	SCREW	AR	X X	4,8 X 25 MM
3	L41395	STRAP	2	X X	
4	AZ38213	RESISTOR	1	X	(SUB AL66925)
	AL66925	RESISTOR NETWORK	1	X X	
5	H99918	INSERT	AR	X X	
6	H109456	ISOLATOR	1	X X	
7	L40867	INSULATOR	2	X X	
8	57M7107	CONNECTOR	2	X X	
9	R44302	TIE BAND	AR	X X	

3D23

OPERATOR'S STATION

Z109310 -UN-01JAN94

EVAPORATOR / HEATER CORE



Z 109310

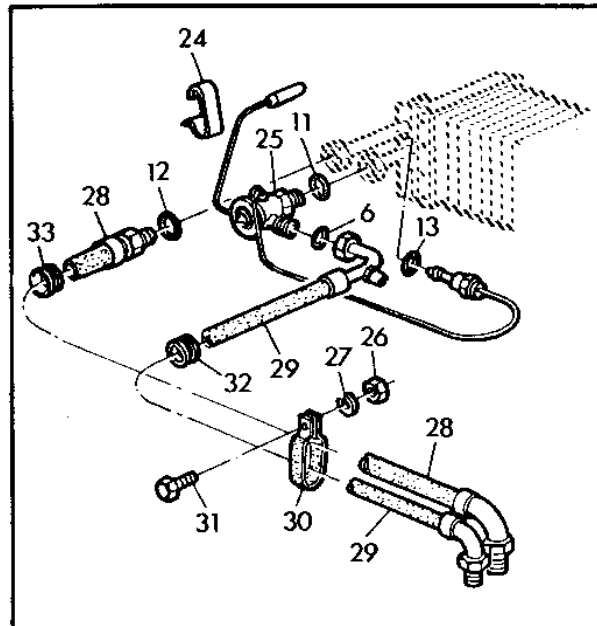
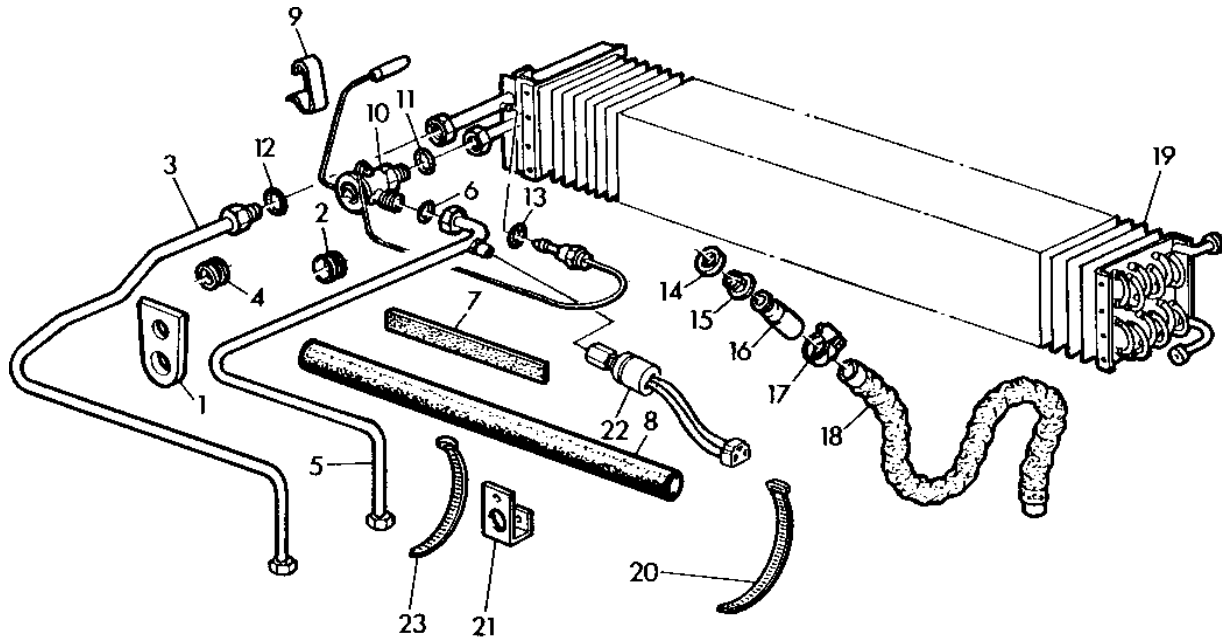
KEY	PART NO.	PART NAME	QTY	SERIAL NO.	REMARKS
				4	
				4	
				4 3	
				4 5	
				3 H	
				5 Y	
1	H96822	RETAINER	1	X X	
2	R72040	GROMMET	1	X X	
3	AH111152	HOSE	1	X X	
4	H65107	GROMMET	1	X X	
5	AH112469	HOSE	1	X X	
6	R10093	O-RING	2	X X	
7	AH77869	CLIP	1	X X	
8	21H1030	SCREW	1	X X	3/8" X 3/4"
9	Z47456	CLIP	1	X X	
10	AL37525	VALVE	1	X X	
11	R33259	O-RING	2	X X	
12	P51212	O-RING	1	X X	
13	R34812	O-RING	1	X X	
14	F2741R	PACKING	2	X X	
15	R60263	BUSHING	2	X X	
16	R60264	HOSE	2	X X	
17	AR48236	CLAMP	2	X X	
18	H97644	CONDUIT	2	X X	
19	AZ37729	EVAPORATOR	1	X X	
20	14H812	NUT	1	X X	3/8"
21	12H304	LOCK WASHER	1	X X	3/8"
22	SENSOR	1	X X	SEE SECTION 040

3D24

OPERATOR'S STATION

ZX001971 -UN-30NOV94

EVAPORATOR / HEATER CORE



ZX001971

3D25

OPERATOR'S STATION

EVAPORATOR / HEATER CORE - CONTINUED

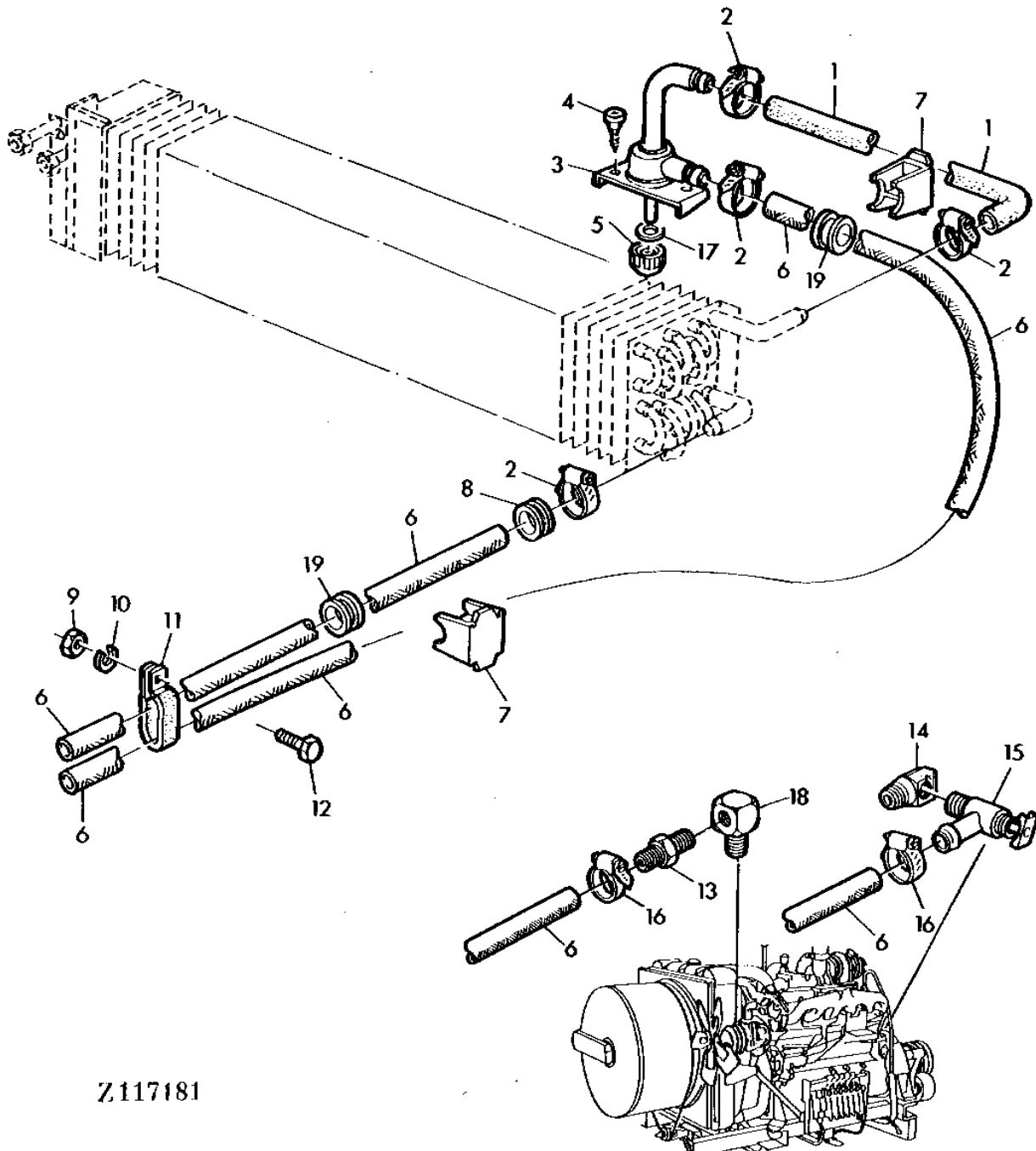
KEY	PART NO.	PART NAME	QTY	SERIAL NO.	4 4 4 3 4 5 3 H 5 Y	REMARKS
1	H96822	RETAINER	1		X X	
2	Z53032	GROMMET	1		X X	
3	AZ42287	TUBE	1		X X	
4	Z53033	GROMMET	1		X X	
5	AZ42286	HOSE	1		X X	
6	R10093	O-RING	5		X X	
7	R57003	TAPE	1		X X	
8	R67718	INSULATOR	1		X X	
9	R66645	CLIP	1		X X	
10	AR58482	VALVE	1		X X	
11	R33259	O-RING	3		X X	
12	P51212	O-RING	3		X X	
13	R34812	O-RING	1		X X	
14	F2741R	PACKING	2		X X	
15	R60263	BUSHING	2		X X	
16	R60264	HOSE	2		X X	
17	AR48236	CLAMP	2		X X	
18	H97644	CONDUIT	2		X X	
19	AZ37729	EVAPORATOR	1		X X	
20	R44302	TIE BAND	4		X X	
21	Z53029	HOLDER	1		X X	
22	RE24308	AC LOW PRESSURE SWITCH	1		X X	
23	Z34568	CLAMP	3		X X	
24	Z47456	CLIP	1		X X	
25	AL37525	VALVE	1		X X	
26	14H812	NUT	1		X X	3/8"
27	12H304	LOCK WASHER	1		X X	3/8"
28	AH111152	HOSE	1		X X	
29	AH112469	HOSE	1		X X	
30	AH77869	CLIP	1		X X	
31	21H1030	SCREW	1		X X	3/8" X 3/4"
32	H65107	GROMMET	1		X X	
33	R72040	GROMMET	1		X X	

3E1

OPERATOR'S STATION

Z117181 -UN-01JAN94

HEATER VALVE AND HOSES



Z117181

3E2

OPERATOR'S STATION

HEATER VALVE AND HOSES - CONTINUED

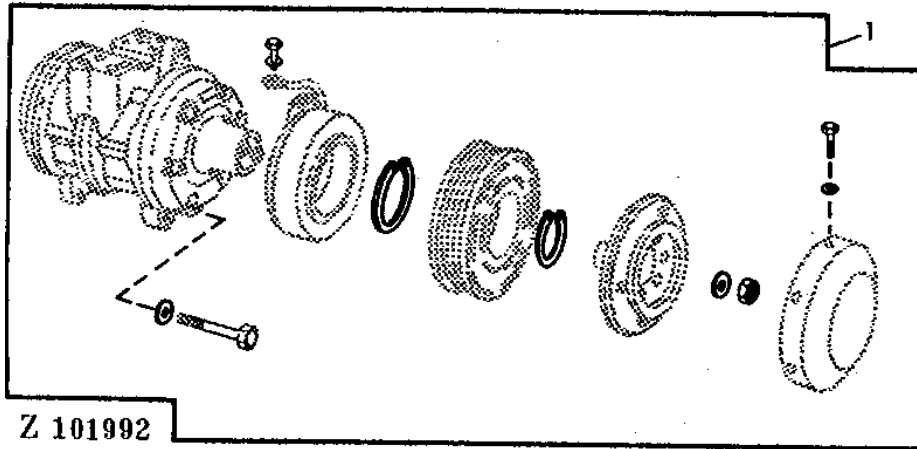
KEY	PART NO.	PART NAME	QTY	SERIAL NO.	4 4 4 3 4 5 3 H 5 Y	REMARKS
1	H102711	HOSE	1		X X	I.D. = 16MM(5/8")
2	AR21837	CLAMP	4		X X	
3	AR100056	CONTROL VALVE	1		X X	
4	37H49	SCREW	2		X X	NO. 10 X 1/2"
5	AL58295	KNOB	1		X X	
6	Z41105	HOSE	2		X X	I.D. = 16 X 6401MM(I.D. = 5/8" X 252")
7	R65472	PANEL	1		X X	
8	L39888	GROMMET	1		X X	
9	14H812	NUT	1		X X	3/8"
10	12H304	LOCK WASHER	1		X X	3/8"
11	AH77869	CLIP	1		X X	
12	21H1069	SCREW	1		X X	3/8" X 1"
13	R41985	FITTING	1		X X	
14	T37027	FITTING	1		X X	
15	AT35831	VALVE	1		X X	
16	Z34829	CLAMP	1		X X	
17	L55034	SEALING WASHER	4		X X	
18	T37041	ELBOW FITTING	1		X X	
19	R72040	GROMMET	2		X X	

3E3

OPERATOR'S STATION

Z101992 -UN-01JAN94

COMPRESSOR HARDWARE KIT



4
4
4 3
4 5
3 H
5 Y

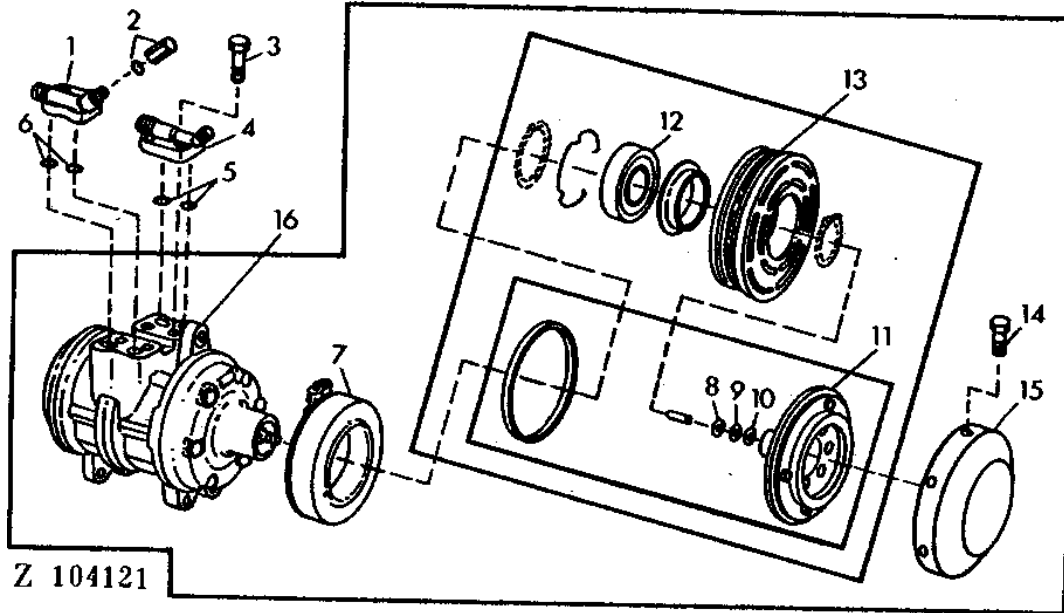
KEY	PART NO.	PART NAME	QTY	SERIAL NO.	REMARKS
1	RE10976	KIT	1	X X	

3E4

OPERATOR'S STATION

Z104121 -UN-01JAN94

COMPRESSOR CLUTCH AND SERVICE VALVES



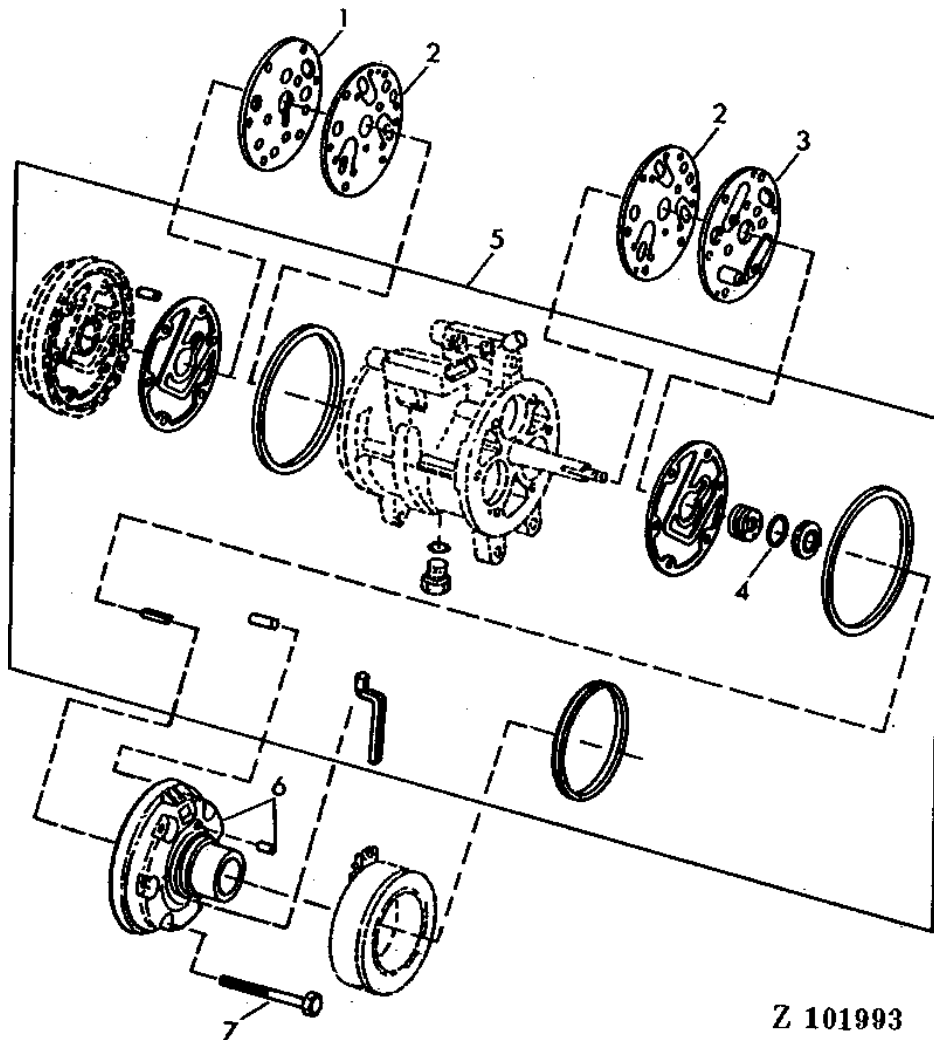
KEY	PART NO.	PART NAME	QTY	SERIAL NO.	4 4 4 3 4 5 3 H 5 Y	REMARKS
1	RE10981	MANIFOLD	1		X X	
2	RE10982	VALVE	1		X X	
3	R77398	SCREW	4		X X	
4	RE10980	MANIFOLD	1		X X	
5	R77401	O-RING	2		X X	
6	R77400	PACKING	2		X X	
7	R77395	CLUTCH	1		X X	
8	R77391	WASHER	AR		X X	
9	R77392	SHIM	AR		X X	
10	R77393	SHIM	AR		X X	
11	RE10974	KIT	1		X X	
12	R77394	BEARING	1		X X	
13	RE10975	KIT	1		X X	
14	R77390	SCREW	6		X X	
15	R77389	COVER	1		X X	
16	RE12513	COMPRESSOR	1		X X	(NIPPONDENSO)
	RE10976	KIT	1		X X	HARDWARE

3E5

OPERATOR'S STATION

Z101993 -UN-01JAN94

COMPRESSOR PARTS



Z 101993

3E6

OPERATOR'S STATION

COMPRESSOR PARTS - CONTINUED

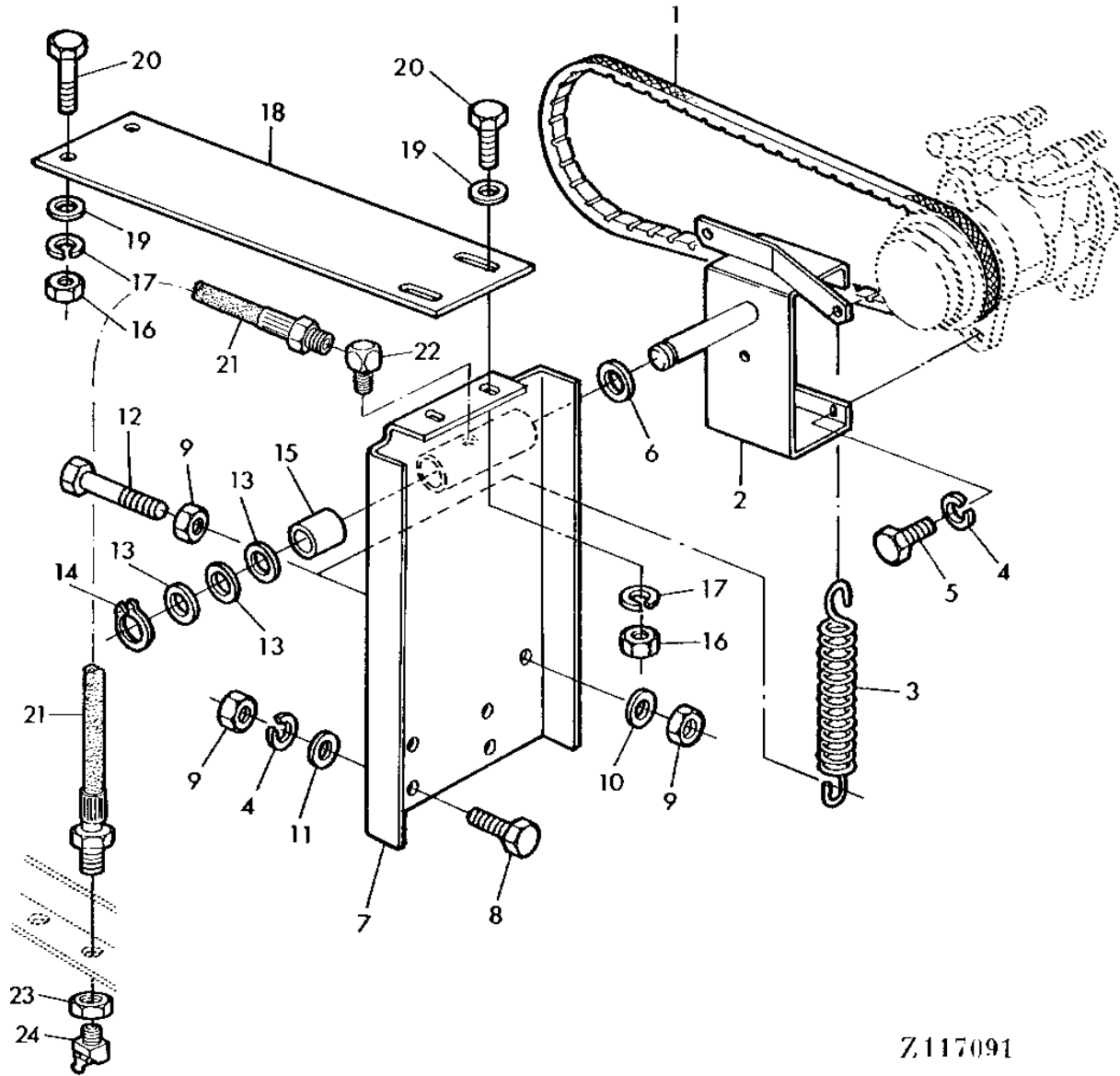
KEY	PART NO.	PART NAME	QTY	SERIAL NO.	4 4 4 3 4 5 3 H 5 Y	REMARKS
1	RE10979	PLATE	1		X X	
2	R77397	VALVE	2		X X	
3	RE10978	PLATE	1		X X	
4	R77399	PACKING	1		X X	
5	RE10973	KIT	1		X X	
6	RE10977	CYLINDER HEAD	1		X X	
7	R77396	BOLT	6		X X	

3E7

OPERATOR'S STATION

Z117091 -UN-01JAN94

COMPRESSOR MOUNTING PARTS



Z117091

3E8

OPERATOR'S STATION

COMPRESSOR MOUNTING PARTS - CONTINUED

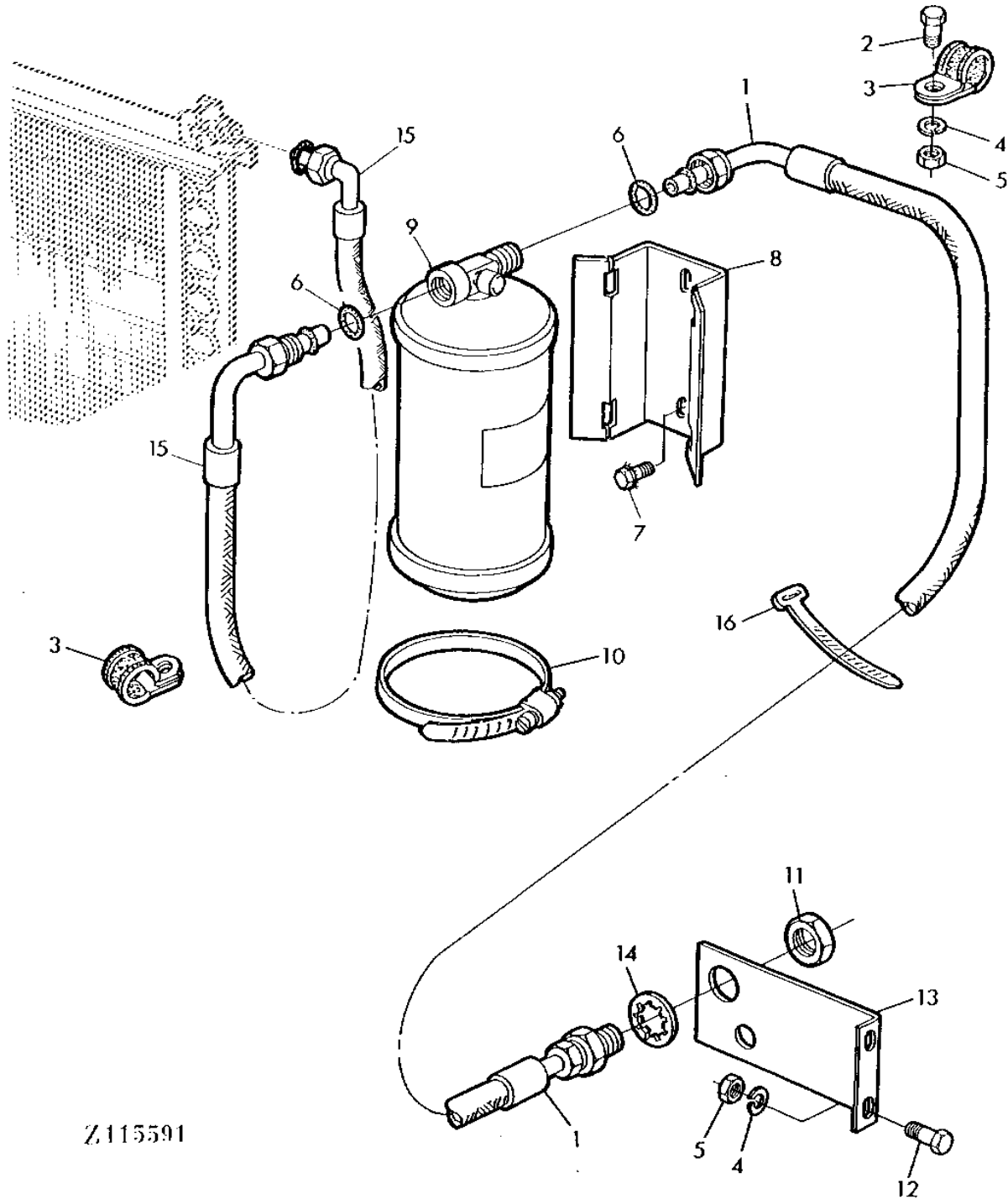
KEY	PART NO.	PART NAME	QTY	SERIAL NO.	4 4 4 3 4 5 3 H 5 Y	REMARKS
1	Z46759	BELT	1		X	1100MM(43.31") LONG
2	AZ37350	RETAINER	1		X	
3	L19219	SPRING	1		X	
4	12M7013	LOCK WASHER	3		X	10.200 MM
5	19M8007	CAP SCREW	3		X	M10 X 25
6	24M7137	WASHER	1		X	25 X 40 X 4 MM
7	AZ37724	SUPPORT	1		X	
8	19M7167	CAP SCREW	AR		X	M10 X 25
9	14M7140	NUT	2		X	M10
10	24M7040	WASHER	1		X	11 X 20 X 2 MM
11	24M7028	WASHER	AR		X	10.500 X 20 X 2 MM
12	19M7156	CAP SCREW	1		X	M10 X 60
13	L19162	SHIM	3		X	
14	40M1828	SNAP RING	1		X	25 X 1,2MM
15	Z47846	BUSHING	2		X	(SUB Z53355)
	Z53355	BUSHING	2		X	
16	14M7029	NUT	AR		X	M8
17	12M7008	LOCK WASHER	AR		X	8.100 MM
18	Z47919	STRAP	1		X	
19	24M7036	WASHER	AR		X	9 X 16 X 1.600 MM
20	19M7163	CAP SCREW	AR		X	M8 X 25
21	AZ41214	HYDRAULIC HOSE	1		X	
22	JD7845	LUBRICATION FITTING	1		X	
23	E12379	NUT	1		X	
24	JD7788	LUBRICATION FITTING	1		X	

3E9

OPERATOR'S STATION

Z115591 -UN-01JAN94

RECEIVER - DRYER AND HOSES



Z115591

3E10

OPERATOR'S STATION

RECEIVER - DRYER AND HOSES - CONTINUED

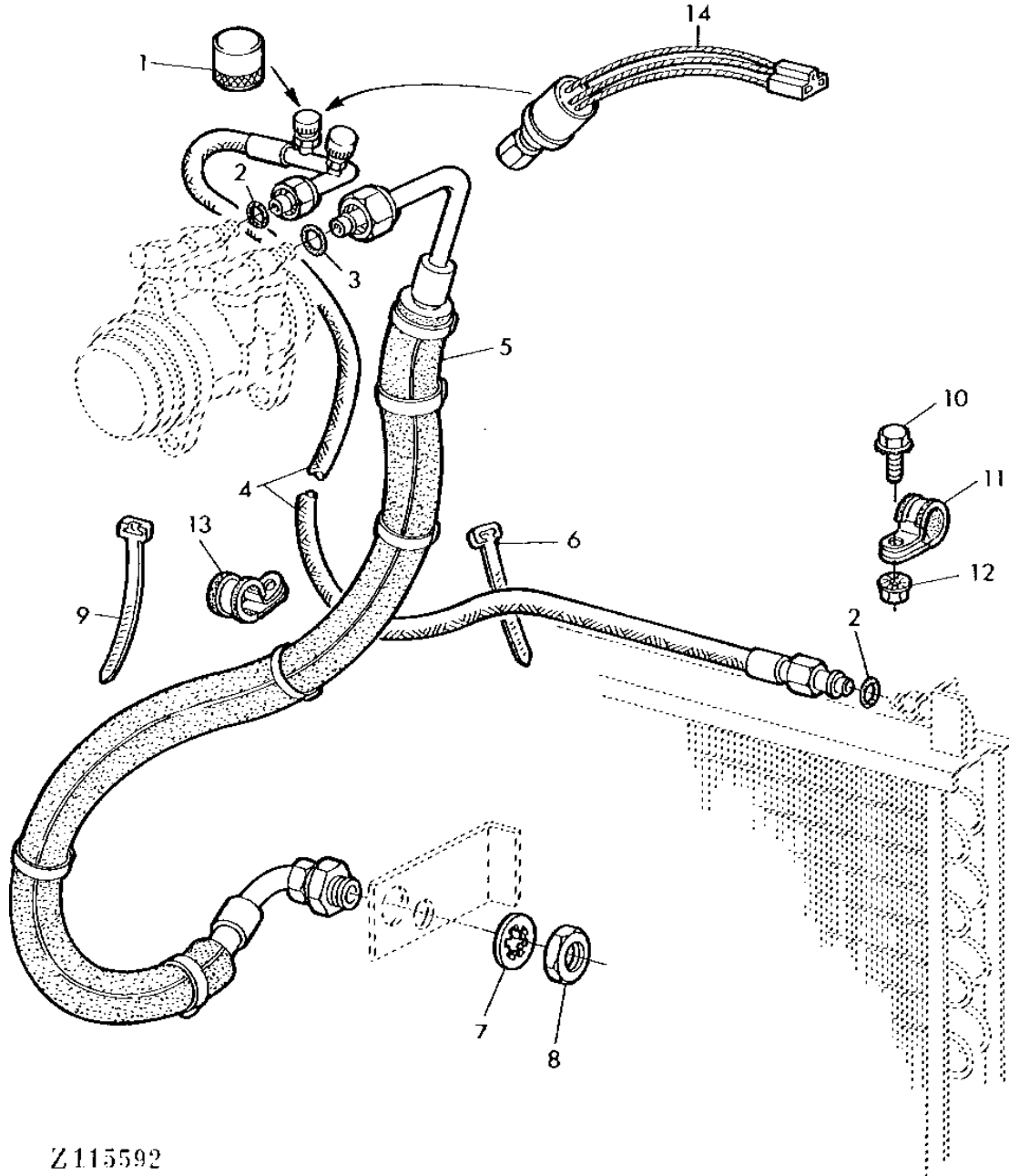
KEY	PART NO.	PART NAME	QTY	SERIAL NO.	4 4 4 3 4 5 3 H 5 Y	REMARKS
1	AZ37356	HOSE	1		X	
2	19M7163	CAP SCREW	AR		X	M8 X 25
3	Z22064	CLAMP	2		X	
4	12M7008	LOCK WASHER	AR		X	8.100 MM
5	14M7029	NUT	AR		X	M8
6	R10093	O-RING	3		X	
7	Z43398	SELF-LOCKING SCREW	AR		X	
8	H87092	SUPPORT	1		X	
9	AT125596	RECEIVER-DRYER	1		X	
10	Z33087	CLAMP	2		X	
11	R53000	NUT	1		X	
12	19M7162	CAP SCREW	AR		X	M8 X 16
13	Z45298	RETAINER	1		X	
14	CA20544	LOCK WASHER	1		X	
15	AZ37355	LINE	1		X	
16	R44302	TIE BAND	AR		X	

3E11

OPERATOR'S STATION

Z115592 -UN-01JAN94

COMPRESSOR HOSES



Z115592

3E12

OPERATOR'S STATION

COMPRESSOR HOSES - CONTINUED

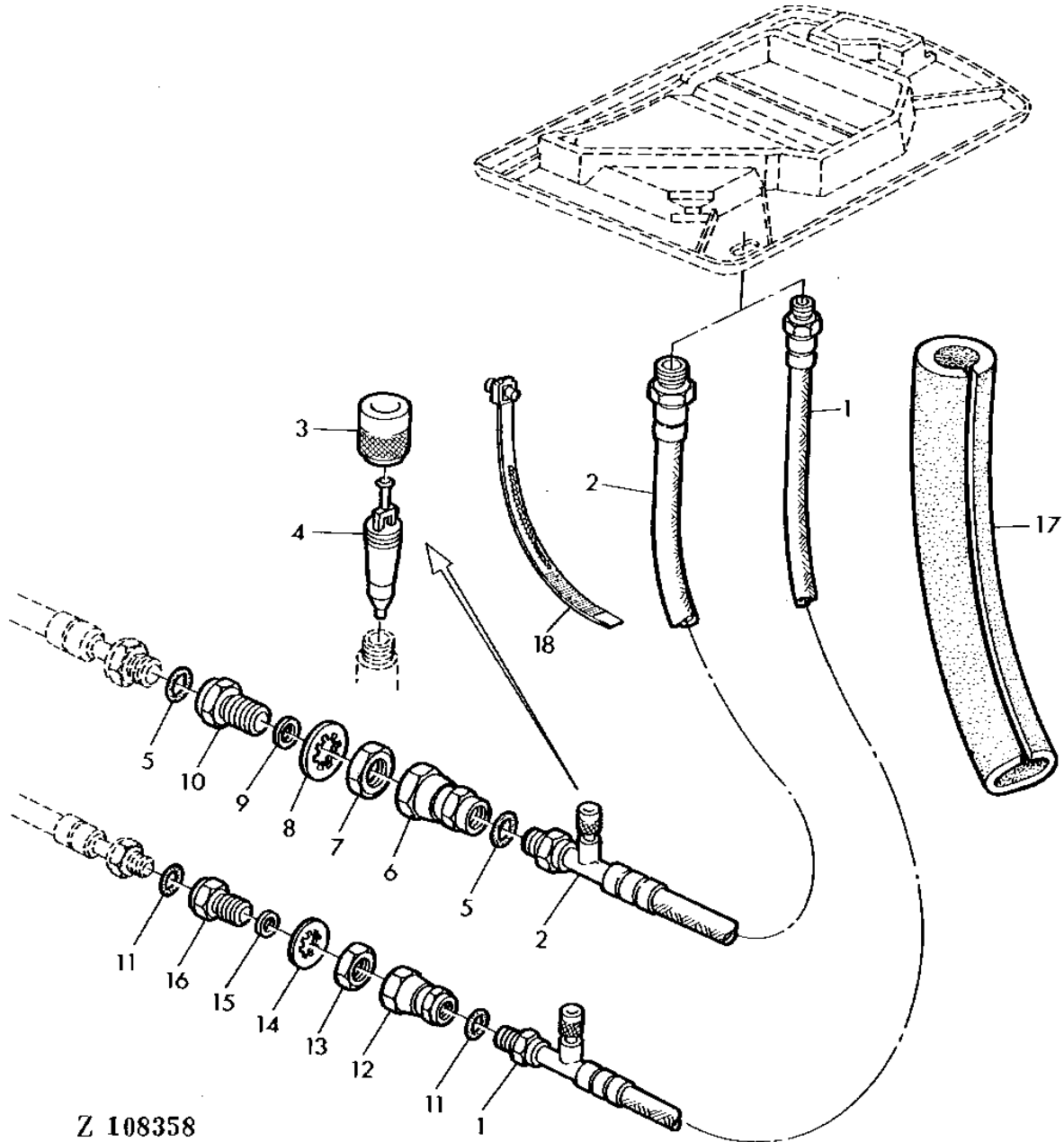
KEY	PART NO.	PART NAME	QTY	SERIAL NO.	4 4 4 3 4 5 3 H 5 Y	REMARKS
1	R60172	NUT	1		X	
2	P51212	O-RING	2		X	
3	R33259	O-RING	1		X	
4	AZ37354	HOSE	1		X	
5	AZ37353	LINE	1		X	
6	R44302	TIE BAND	3		X	
7	CA20547	LOCK WASHER	1		X	
8	R52998	NUT	1		X	
9	Z31799	CLAMP	AR		X	
10	Z22064	CLAMP	1		X	I.D.= 12MM
11	19M8362	CAP SCREW	AR		X	M6 X 16
12	Z41039	NUT	AR		X	
13	Z23695	CLAMP	1		X	I.D.= 14MM
14	SENDER	1		X	SEE SECTION 040

3E13

OPERATOR'S STATION

Z108358 -UN-01JAN94

AIR CONDITIONING HOSES AND COUPLERS



Z 108358

3E14

OPERATOR'S STATION

AIR CONDITIONING HOSES AND COUPLERS - CONTINUED

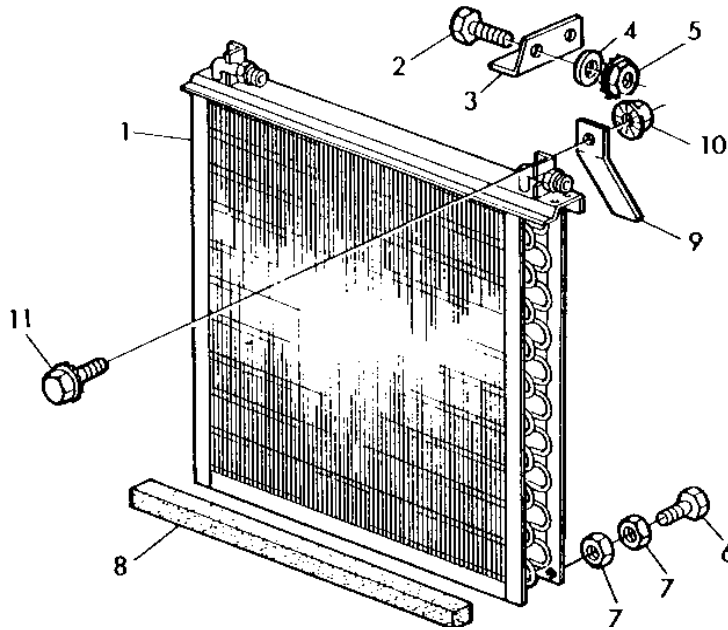
KEY	PART NO.	PART NAME	QTY	SERIAL NO.	4 4 4 3 4 5 3 H 5 Y	REMARKS
1	AZ36290	HYDRAULIC HOSE	1		X X	4450MM (175.20") LONG (INCL. KEYS 11, 12)
2	AZ36289	HYDRAULIC HOSE	1		X X	4450MM (175.20") LONG (INCL. KEYS 5, 6)
3	R60172	NUT	2		X X	
4	R60170	VALVE	2		X X	
5	B15646	O-RING	2		X X	
6	AR58287	EXTERNAL HALF COUPLER	1		X X	
7	R52998	NUT	1		X X	
8	CA20547	LOCK WASHER	1		X X	
9	R57636	WASHER	1		X X	
10	AR58147	INTERNAL HALF COUPLER	1		X X	
11	P50883	RING	2		X X	
12	AH21763	EXTERNAL HALF COUPLER	1		X X	
13	R53000	NUT	1		X X	
14	CA20544	LOCK WASHER	1		X X	
15	R57637	WASHER	1		X X	
16	AH21762	INTERNAL HALF COUPLER	1		X X	
17	Z41943	CONDUIT	1		X X	360MM(14.17") LONG
	Z41942	CONDUIT	1		X X	600MM(23.62") LONG
	Z41944	CONDUIT	1		X X	380MM(14.96") LONG
18	Z44931	TIE BAND	AR		X X	

3E15

OPERATOR'S STATION

Z115598 -UN-01JAN94

CONDENSER



Z115598

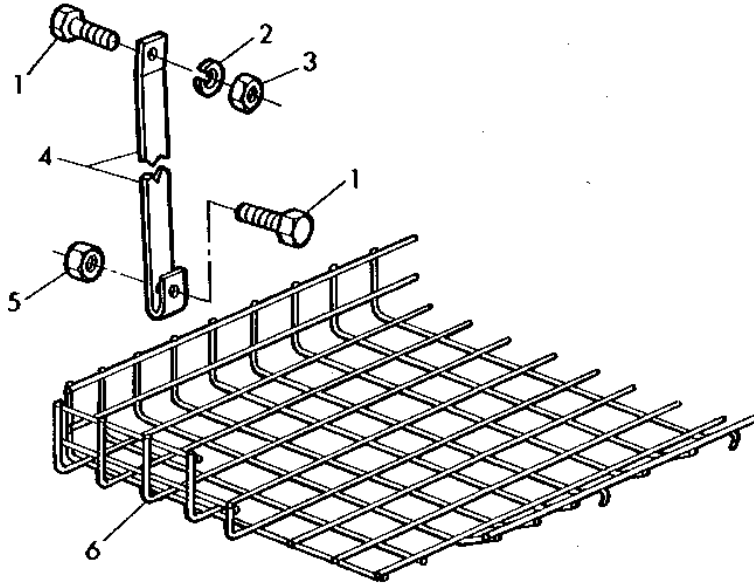
KEY	PART NO.	PART NAME	QTY	SERIAL NO.	REMARKS
				4	
				4	
				4 3	
				4 5	
				3 H	
				5 Y	
1	AZ37352	VAPOR CONDENSER	1	X X	
2	19M7077	CAP SCREW	AR	X X	M6 X 20
3	Z46753	ANGLE	2	X X	
4	Z26250	WASHER	AR	X X	
5	Z41039	NUT	AR	X X	
6	19M7288	CAP SCREW	AR	X X	M8 X 30
7	14M7029	NUT	AR	X X	M8
8	Z41891	WEATHERSTRIP	1	X X	
9	Z43295	HOLDER	1	X X	
10	14M7416	FLANGE NUT	AR	X X	M8
11	19M8308	CAP SCREW	AR	X X	M8 X 20

3E16

OPERATOR'S STATION

Z115258 -UN-01JAN94

WIRE TRAY FOR HEATER AND AIR CONDITIONING HOSES



Z115258

4
4
4 3
4 5
3 H
5 Y

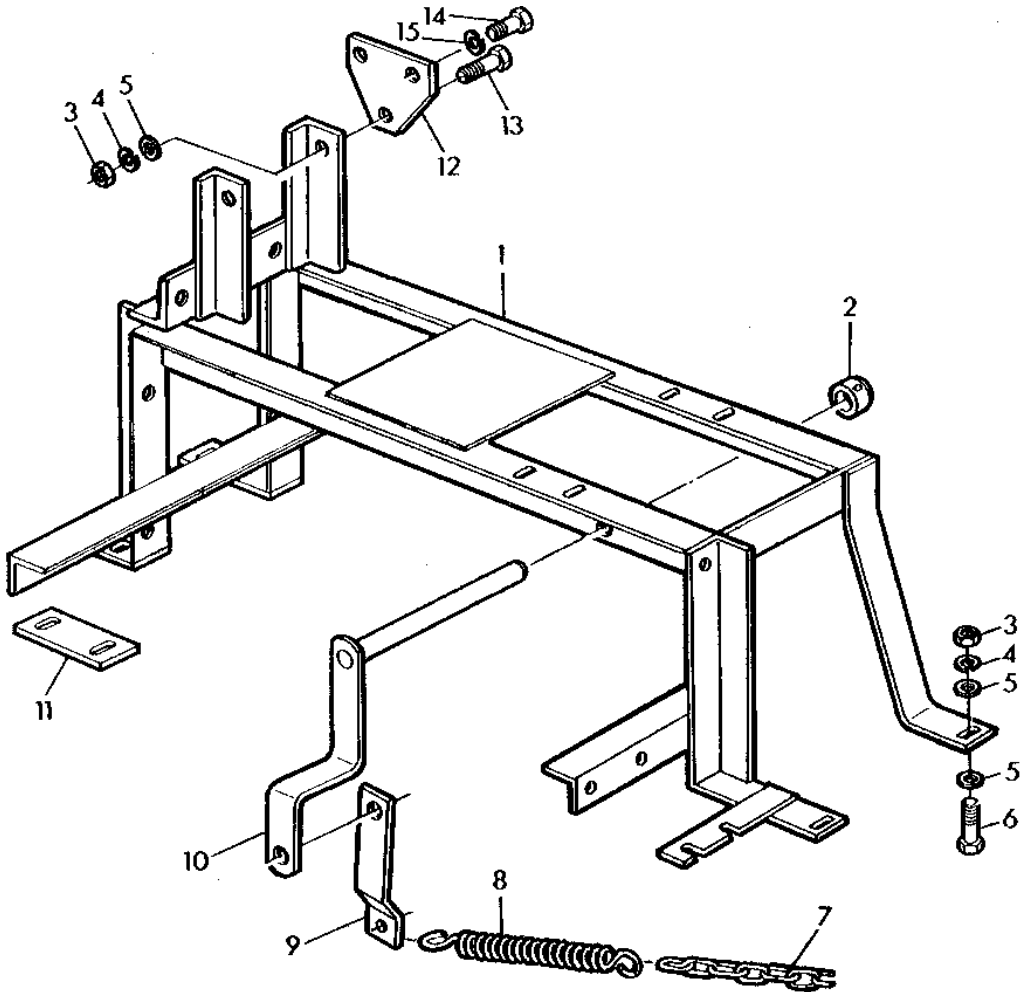
KEY	PART NO.	PART NAME	QTY	SERIAL NO.	REMARKS
1	19M7159	CAP SCREW	AR	X X	M6 X 15
2	12M7012	LOCK WASHER	AR	X X	6.100 MM
3	14M7027	NUT	AR	X X	M6
4	Z46755	STRAP	1	X X	
5	14M7165	LOCK NUT	AR	X X	M6
6	AZ37357	BASKET	1	X X	7,5A

3E17

OPERATOR'S STATION

Z109312 -UN-01JAN94

COMPRESSOR MOUNTING



Z 109312

3E18

OPERATOR'S STATION

COMPRESSOR MOUNTING - CONTINUED

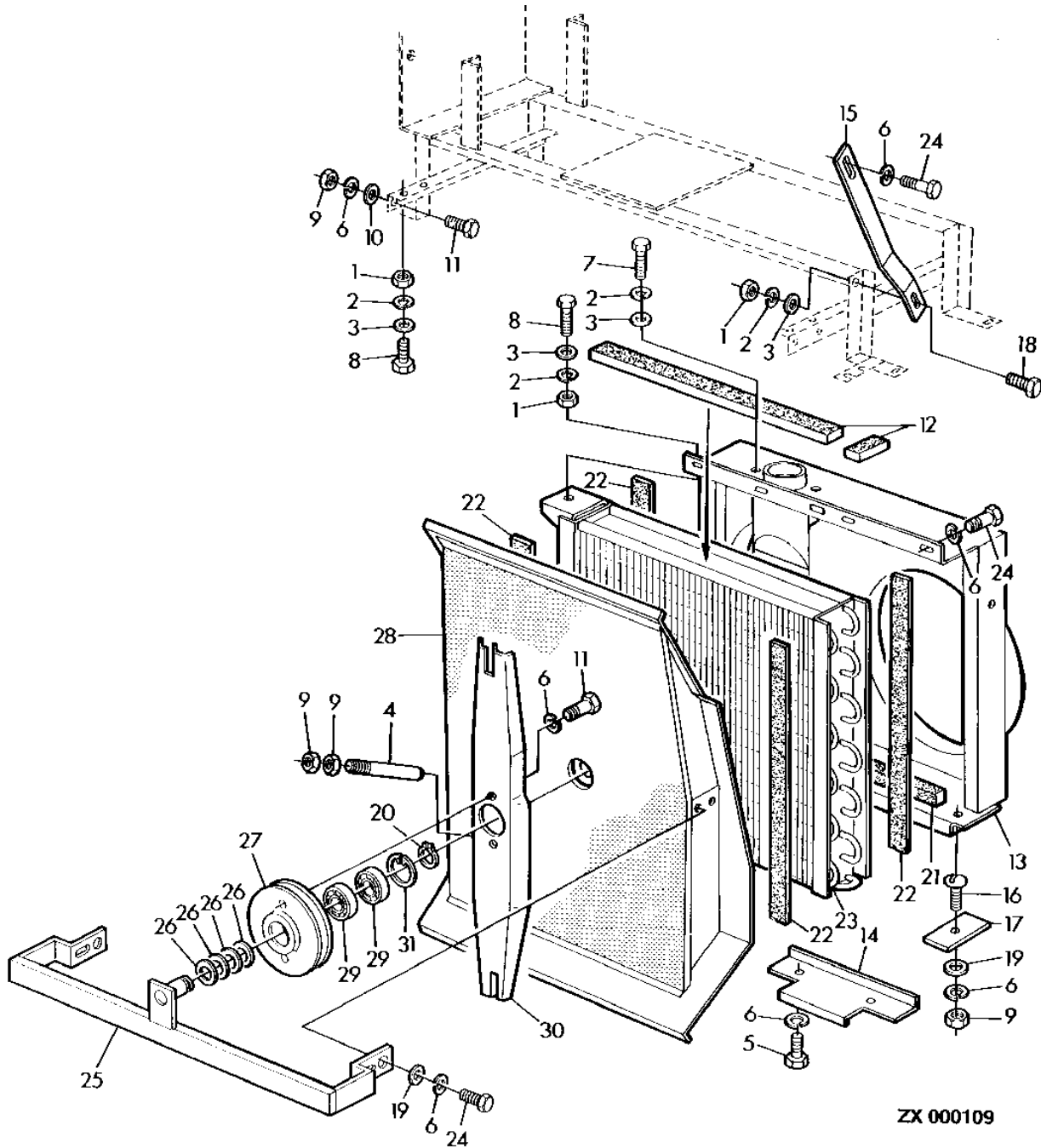
KEY	PART NO.	PART NAME	QTY	SERIAL NO.	4 4 4 3 4 5 3 H 5 Y	REMARKS
1	AZ35856	FRAME	1		X	
2	AZ20030	ECCENTRIC LOCKING COLLAR	2		X	
3	14M7140	NUT	AR		X	M10
4	12M7013	LOCK WASHER	AR		X	10.200 MM
5	24M7040	WASHER	AR		X	11 X 20 X 2 MM
6	19M7168	CAP SCREW	AR		X	M10 X 30
7	CA22540	LINK CHAIN	1		X	
8	L19219	SPRING	1		X	
9	Z41903	HOLDER	1		X	
10	AZ35850	LEVER	1		X	
11	Z42233	STRAP	1		X	
12	Z45299	RETAINER	2		X	
13	19M7168	CAP SCREW	AR		X	M10 X 30
14	19M8007	CAP SCREW	4		X	M10 X 25
15	12M7013	LOCK WASHER	4		X	10.200 MM

3E19

OPERATOR'S STATION

ZX000109 -UN-01DEC94

CONDENSER AND MOUNTING



3E20

OPERATOR'S STATION

CONDENSER AND MOUNTING - CONTINUED

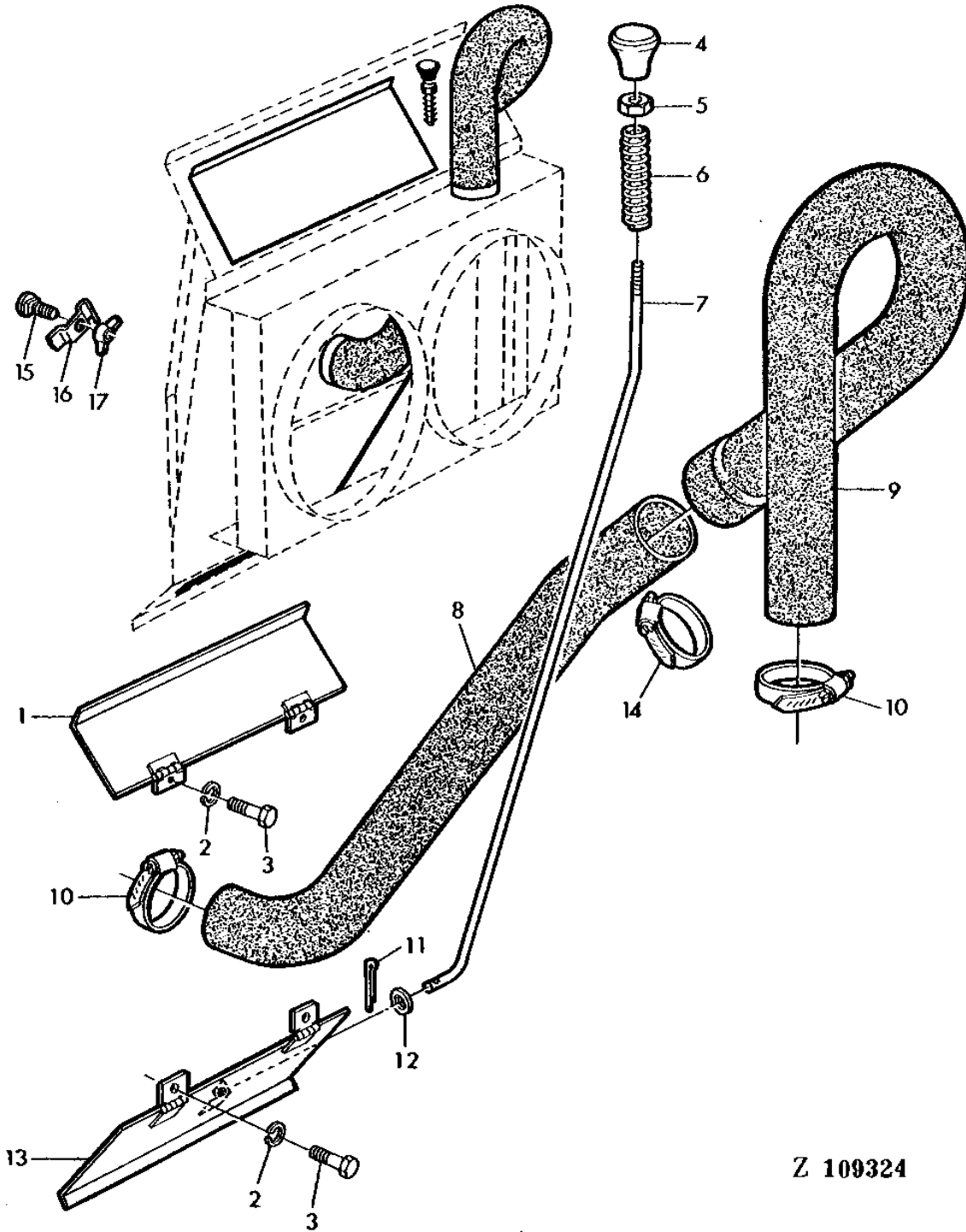
KEY	PART NO.	PART NAME	QTY	SERIAL NO.	4 4 4 3 4 5 3 H 5 Y	REMARKS
1	14M7029	NUT	AR		X	M8
2	12M7008	LOCK WASHER	AR		X	8.100 MM
3	24M7036	WASHER	AR		X	9 X 16 X 1.600 MM
4	Z43517	STUD	1		X	
5	19M6614	CAP SCREW	AR		X	M6 X 12
6	12M7012	LOCK WASHER	AR		X	6.100 MM
7	19M7284	CAP SCREW	AR		X	M8 X 18
8	19M7162	CAP SCREW	AR		X	M8 X 16
9	14M7027	NUT	AR		X	M6
10	24M7088	WASHER	AR		X	6.600 X 12 X 1.600 MM
11	19M7375	CAP SCREW	AR		X	M6 X 18
12	Z41946	WEATHERSTRIP	1		X	
13	AZ33511	CASE	1		X	
14	Z41900	SHEET	1		X	
15	Z41890	BRACE	2		X	
16	21M7159	SCREW	AR		X	M6 X 25
17	Z41898	STRAP	1		X	
18	19M7139	CAP SCREW	AR		X	M8 X 20
19	Z25554	WASHER	AR		X	
20	40M1823	SNAP RING	AR		X	17 X 1 MM
21	Z41891	WEATHERSTRIP	1		X	
22	CA20531	WEATHERSTRIP	1		X	
23	AH87966	VAPOR CONDENSER	1		X	
24	19M7159	CAP SCREW	AR		X	M6 X 15
25	AZ33959	BRACE	1		X	
26	24M5783	WASHER	4		X	17 X 24 X 1 MM
27	Z11490	PULLEY	1		X	
28	AZ33962	SHROUD	1		X	
29	JD29980	BALL BEARING	2		X	
30	Z43865	VANE	1		X	
31	40M1860	SNAP RING	1		X	40 X 1,75MM

3E21

OPERATOR'S STATION

Z109324 -UN-01JAN94

AIR CONDITIONING CLEANING UNIT TUBE



Z 109324

3E22

OPERATOR'S STATION

AIR CONDITIONING CLEANING UNIT TUBE - CONTINUED

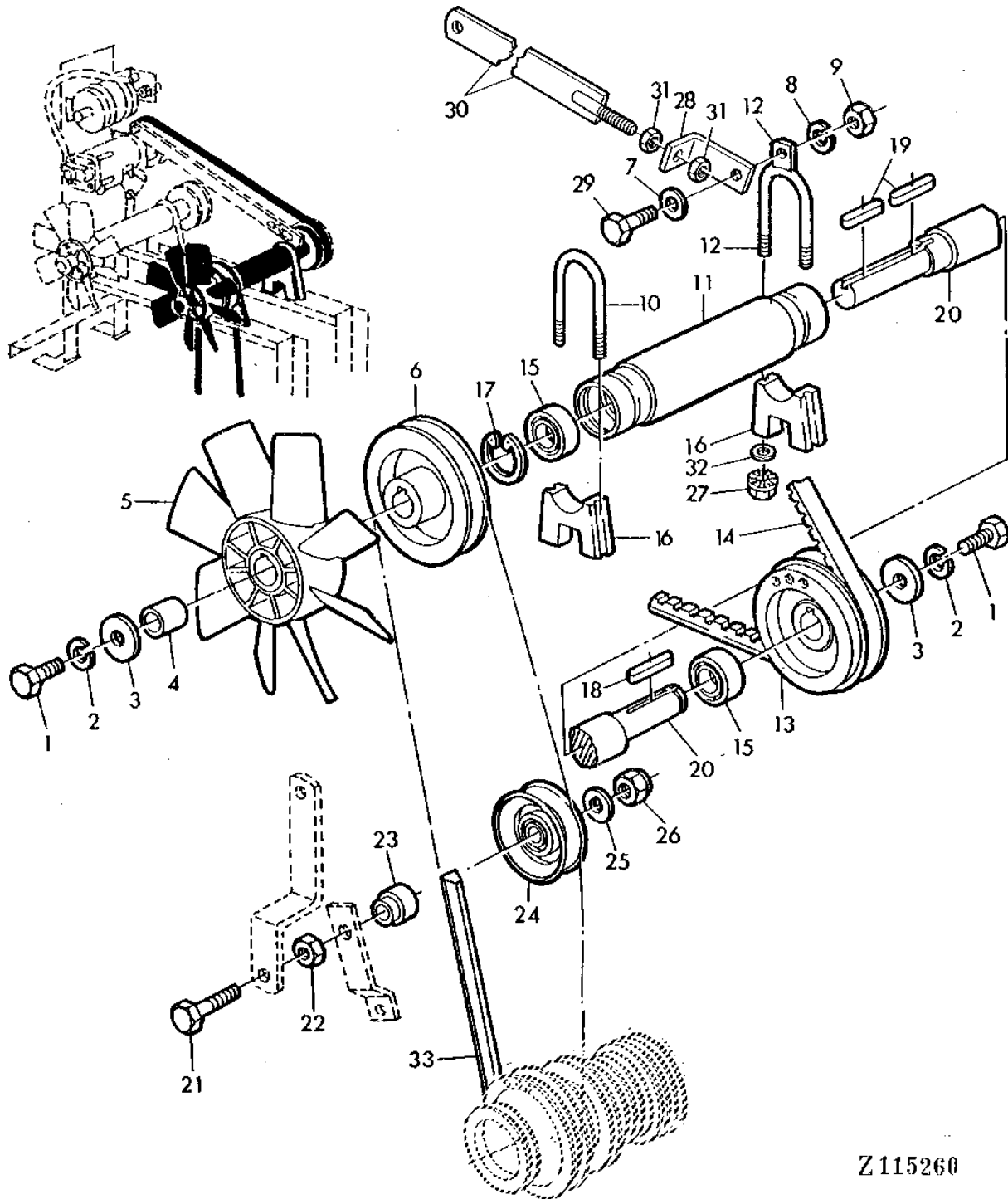
KEY	PART NO.	PART NAME	QTY	SERIAL NO.	4 4 4 3 4 5 3 H 5 Y	REMARKS
1	AZ31534	COVER	1		X	
2	12M7012	LOCK WASHER	AR		X	6.100 MM
3	19M7159	CAP SCREW	AR		X	M6 X 15
4	L37361	KNOB	1		X	
5	14M7027	NUT	AR		X	M6
6	Z21267	SPRING	1		X	
7	Z41897	LINKAGE	1		X	
8	Z42403	HOSE	1		X	
9	Z41887	HOSE	1		X	
10	Z21162	CLAMP	2		X	
11	11M7008	COTTER PIN	1		X	2 X 14 MM
12	24M7088	WASHER	AR		X	6.600 X 12 X 1.600 MM
13	AZ31533	COVER	1		X	
14	Z22032	CLAMP	1		X	
15	03M7054	BOLT	2		X	M8 X 20
16	Z20367	CLAMP	2		X	
17	14M7020	WING NUT	2		X	M8

3E23

OPERATOR'S STATION

Z115260 -UN-01JAN94

REAR CONDENSER FAN



Z115260

3E24

OPERATOR'S STATION

REAR CONDENSER FAN - CONTINUED

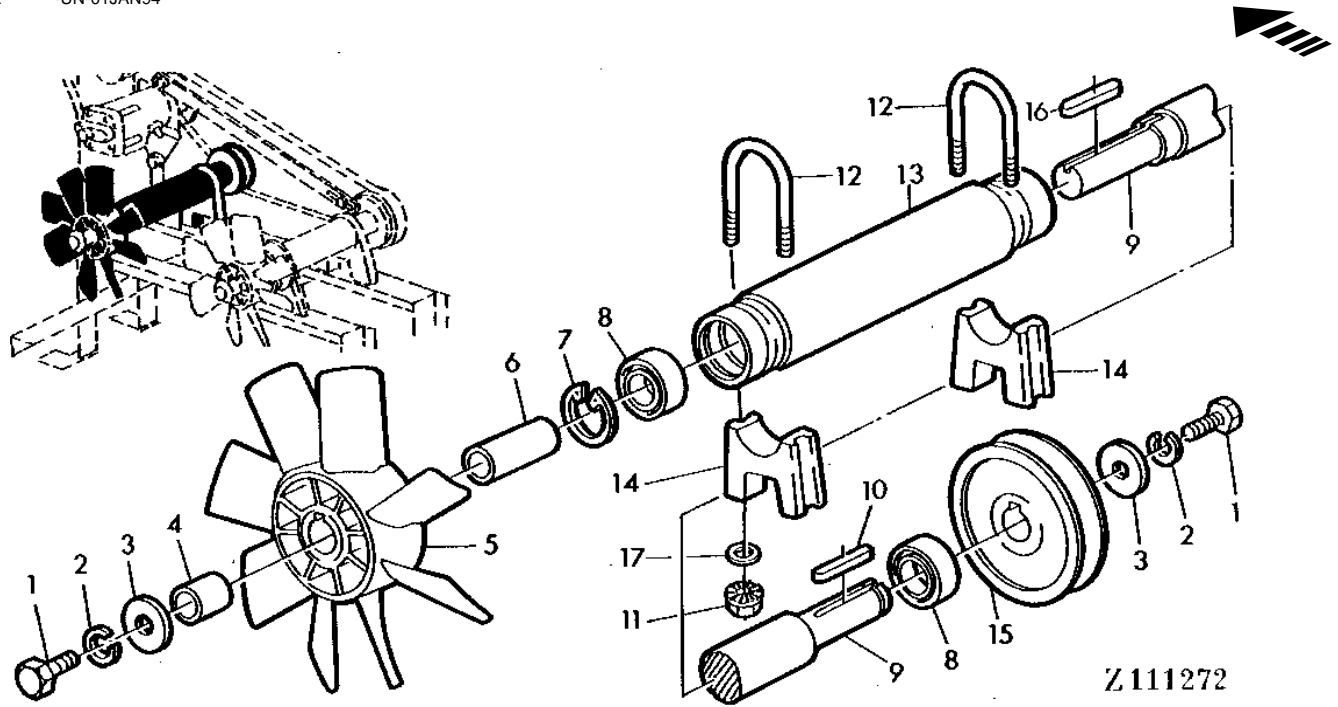
KEY	PART NO.	PART NAME	QTY	SERIAL NO.	4 4 4 3 4 5 3 H 5 Y	REMARKS
1	19M7139	CAP SCREW	AR		X	M8 X 20
2	12M7072	LOCK WASHER	AR		X	8.400 MM
3	CA20725	WASHER	2		X	
4	Z41926	SPACER	1		X	
5	AZ31142	FAN BLADE	1		X	
6	Z11332	PULLEY	1		X	
7	24M7036	WASHER	AR		X	9 X 16 X 1.600 MM
8	12M7008	LOCK WASHER	AR		X	8.100 MM
9	14M7029	NUT	AR		X	M8
10	CA22525	BAIL	1		X	
11	Z41924	OIL TUBE	1		X	
12	DA22524	BAIL	1		X	
13	Z11326	PULLEY	1		X	
14	Z42756	BELT	1		X	
15	JD30071	BALL BEARING	2		X	
16	CA22529	SUPPORT	2		X	
17	40M1863	SNAP RING	1		X	
18	49M4821	SHAFT KEY	1		X	
19	49M4834	SHAFT KEY	2		X	
20	Z41927	JACKSHAFT	1		X	
21	19M7494	CAP SCREW	1		X	M12 X 70
22	14M7154	NUT	1		X	M12
23	Z41925	SPACER	1		X	
24	AZ24263	IDLER	1		X	
25	24M7140	WASHER	1		X	13 X 19 X 1 MM
26	14M7168	LOCK NUT	1		X	M12
27	14M7416	FLANGE NUT	AR		X	M8
28	Z42402	HOLDER	1		X	
29	19M7163	CAP SCREW	AR		X	M8 X 25
30	AZ35849	BRACE	1		X	
31	14M7140	NUT	AR		X	M10
32	Z26240	WASHER	AR		X	
33	Z45482	BELT	1		X	

3E25

OPERATOR'S STATION

Z111272 -UN-01JAN94

FRONT CONDENSER FAN



Z111272

4
4
4 3
4 5
3 H
5 Y

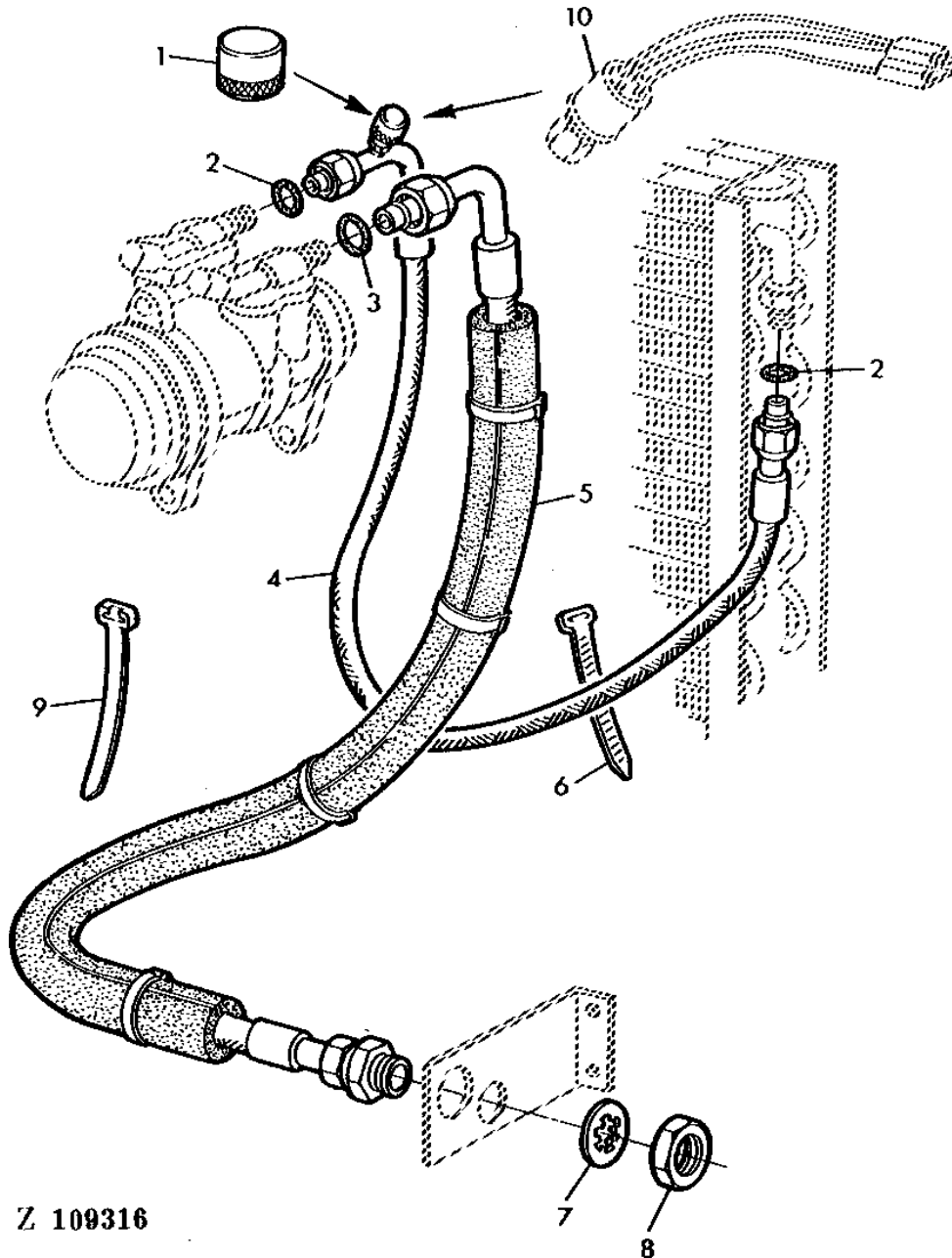
KEY	PART NO.	PART NAME	QTY	SERIAL NO.	REMARKS
1	19M7139	CAP SCREW	AR	X	M8 X 20
2	12M7072	LOCK WASHER	AR	X	8.400 MM
3	CA20725	WASHER	2	X	
4	Z41926	SPACER	1	X	
5	AZ31142	FAN BLADE	1	X	
6	Z41923	SPACER	1	X	
7	40M1863	SNAP RING	1	X	43 X 1,75MM
8	JD30071	BALL BEARING	2	X	
9	Z41927	JACKSHAFT	1	X	
10	49M4821	SHAFT KEY	1	X	6 X 6 X 32MM
11	14M7416	FLANGE NUT	AR	X	M8
12	CA22525	BAIL	2	X	
13	Z41924	OIL TUBE	1	X	
14	CA22529	SUPPORT	2	X	
15	Z11326	PULLEY	1	X	
16	49M4834	SHAFT KEY	1	X	6 X 6 X 36MM
17	Z26240	WASHER	AR	X	

3F1

OPERATOR'S STATION

Z109316 -UN-01JAN94

COMPRESSOR HOSES



Z 109316

3F2

OPERATOR'S STATION

COMPRESSOR HOSES - CONTINUED

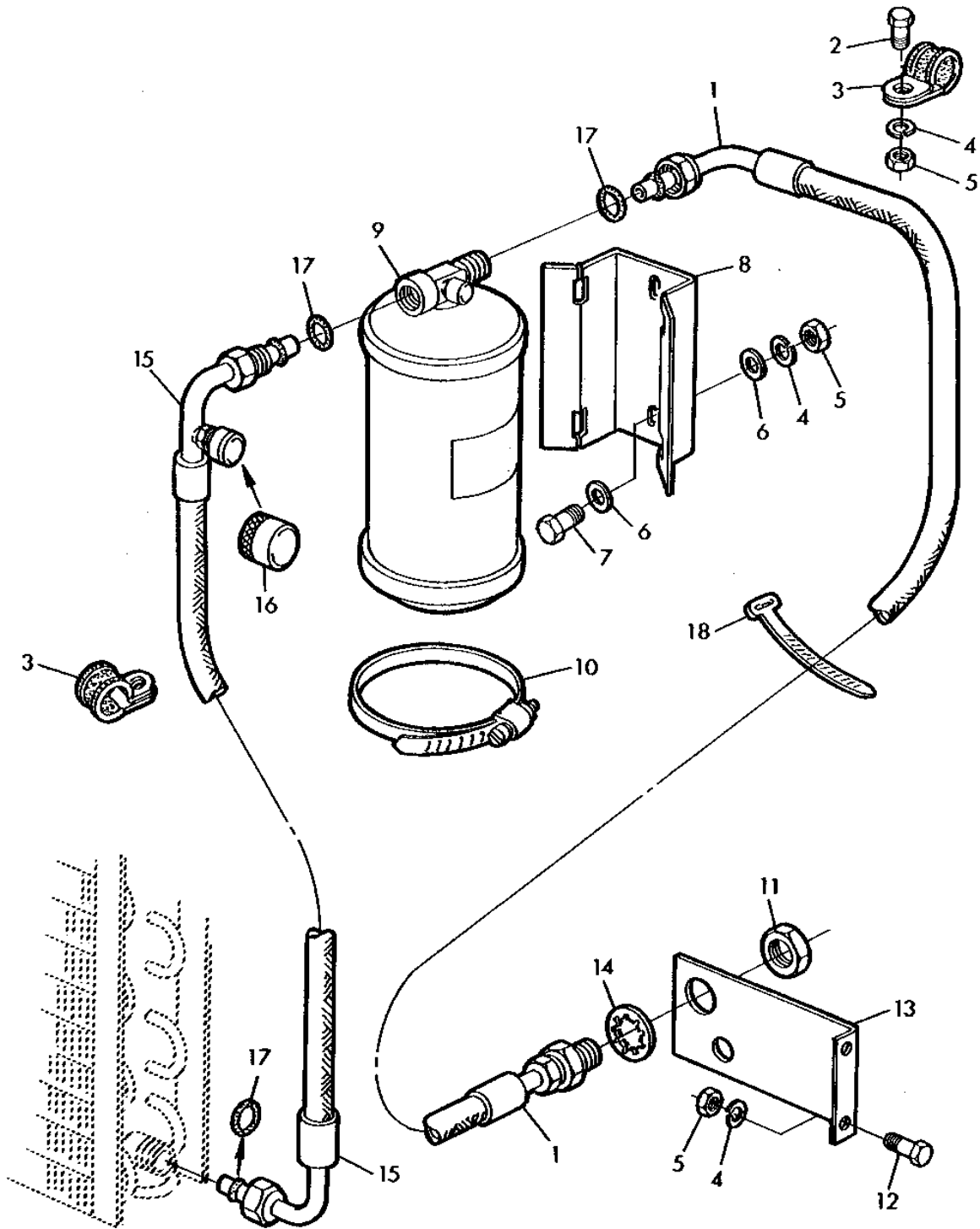
KEY	PART NO.	PART NAME	QTY	SERIAL NO.	4 4 4 3 4 5 3 H 5 Y	REMARKS
1	R60172	NUT	1		X	
2	P51212	O-RING	2		X	
3	R33259	O-RING	1		X	
4	AZ35855	HOSE	1		X	
5	AZ35854	HOSE	1		X	
6	Z34568	CLAMP	2		X	
7	CA20547	LOCK WASHER	1		X	
8	R52998	NUT	1		X	
9	Z31799	CLAMP	AR		X	
10	SENSOR	1		X	SEE SECTION 040

3F3

OPERATOR'S STATION

Z109317 -UN-01JAN94

RECEIVER - DRYER AND HOSES



Z 109317

3F4

OPERATOR'S STATION

RECEIVER - DRYER AND HOSES - CONTINUED

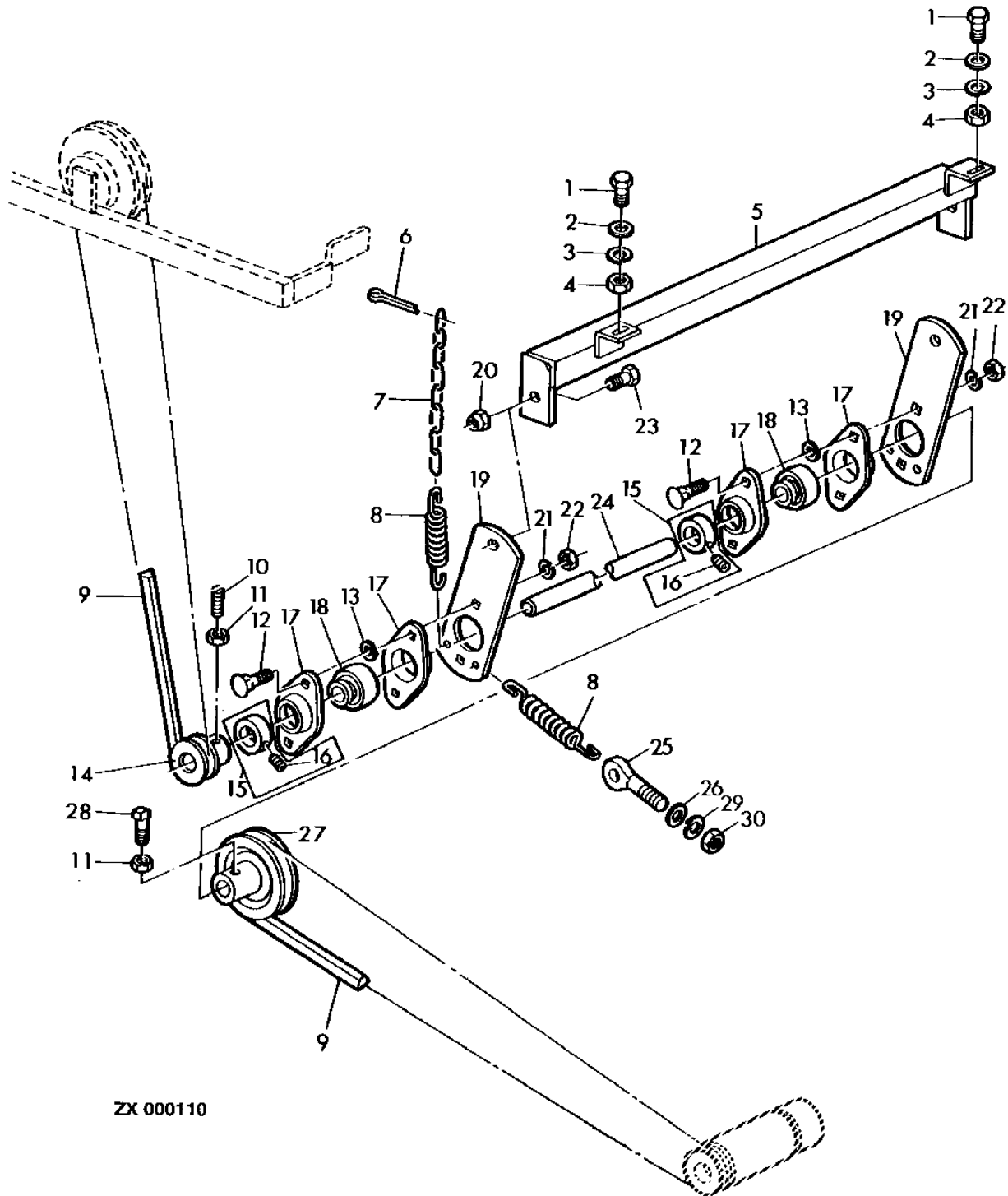
KEY	PART NO.	PART NAME	QTY	SERIAL NO.	4 4 4 3 4 5 3 H 5 Y	REMARKS
1	AZ34002	HOSE	1		X	
2	19M7163	CAP SCREW	AR		X	M8 X 25
3	Z32042	CLAMP	2		X	
4	12M7008	LOCK WASHER	AR		X	8.100 MM
5	14M7029	NUT	AR		X	M8
6	24M7036	WASHER	AR		X	9 X 16 X 1.600 MM
7	19M7139	CAP SCREW	AR		X	M8 X 20
8	H87092	SUPPORT	1		X	
9	AT125596	RECEIVER-DRYER	1		X	(SUB FOR AH114865 AND AT63170)
10	Z33087	CLAMP	2		X	
11	R53000	NUT	1		X	
12	19M7162	CAP SCREW	AR		X	M8 X 16
13	Z45298	RETAINER	1		X	
14	CA20544	LOCK WASHER	1		X	
15	AZ35852	HOSE	1		X	
16	R60172	NUT	AR		X	
17	R10093	O-RING	3		X	
18	R44302	TIE BAND	AR		X	

3F5

OPERATOR'S STATION

ZX000110 -UN-11JUL96

AIR CONDITIONING SUCTION FAN DRIVE



ZX 000110

3F6

OPERATOR'S STATION

AIR CONDITIONING SUCTION FAN DRIVE - CONTINUED

KEY	PART NO.	PART NAME	QTY	SERIAL NO.	4 4 4 3 4 5 3 H 5 Y	REMARKS
1	19M7284	CAP SCREW	AR		X	M8 X 18
2	24M7036	WASHER	AR		X	9 X 16 X 1.600 MM
3	12M7008	LOCK WASHER	AR		X	8.100 MM
4	14M7029	NUT	AR		X	M8
5	AZ33960	HOLDER	1		X	
6	11M7037	COTTER PIN	1		X	6.300 X 36 MM
7	CA22540	LINK CHAIN	1		X	
8	Z21232	EXTENSION SPRING	2		X	
9	Z43863	BELT	2		X	
10	22M7000	SET SCREW	1		X	M8 X 16
11	14M7203	NUT	AR		X	M8
12	03M7092	BOLT	AR		X	M6 X 16
13	24M7054	WASHER	AR		X	6.400 X 12 X 1.600 MM
14	Z44115	PULLEY	1		X	
15	AZ20030	ECCENTRIC LOCKING COLLAR	2		X	
16	22M7079	SET SCREW	2		X	M6 X 6
17	Z31372	PRESSED FLANGED HOUSING	4		X	
18	AZ19970	BALL BEARING	2		X	
19	Z43856	RETAINER	2		X	
20	14M7166	LOCK NUT	AR		X	M8
21	12M7012	LOCK WASHER	AR		X	6.100 MM
22	14M7027	NUT	AR		X	M6
23	19M7376	CAP SCREW	AR		X	M8 X 22
24	Z43859	SHAFT	1		X	
25	Z36576	EYEBOLT	1		X	
26	24M7210	WASHER	AR		X	5.500 X 18 X 2 MM
27	Z11488	PULLEY	1		X	
28	22M7148	SET SCREW	1		X	M8 X 16, (SUB FOR Z32432)
29	12M7011	LOCK WASHER	1		X	5.100 MM
30	14M7028	NUT	1		X	M5

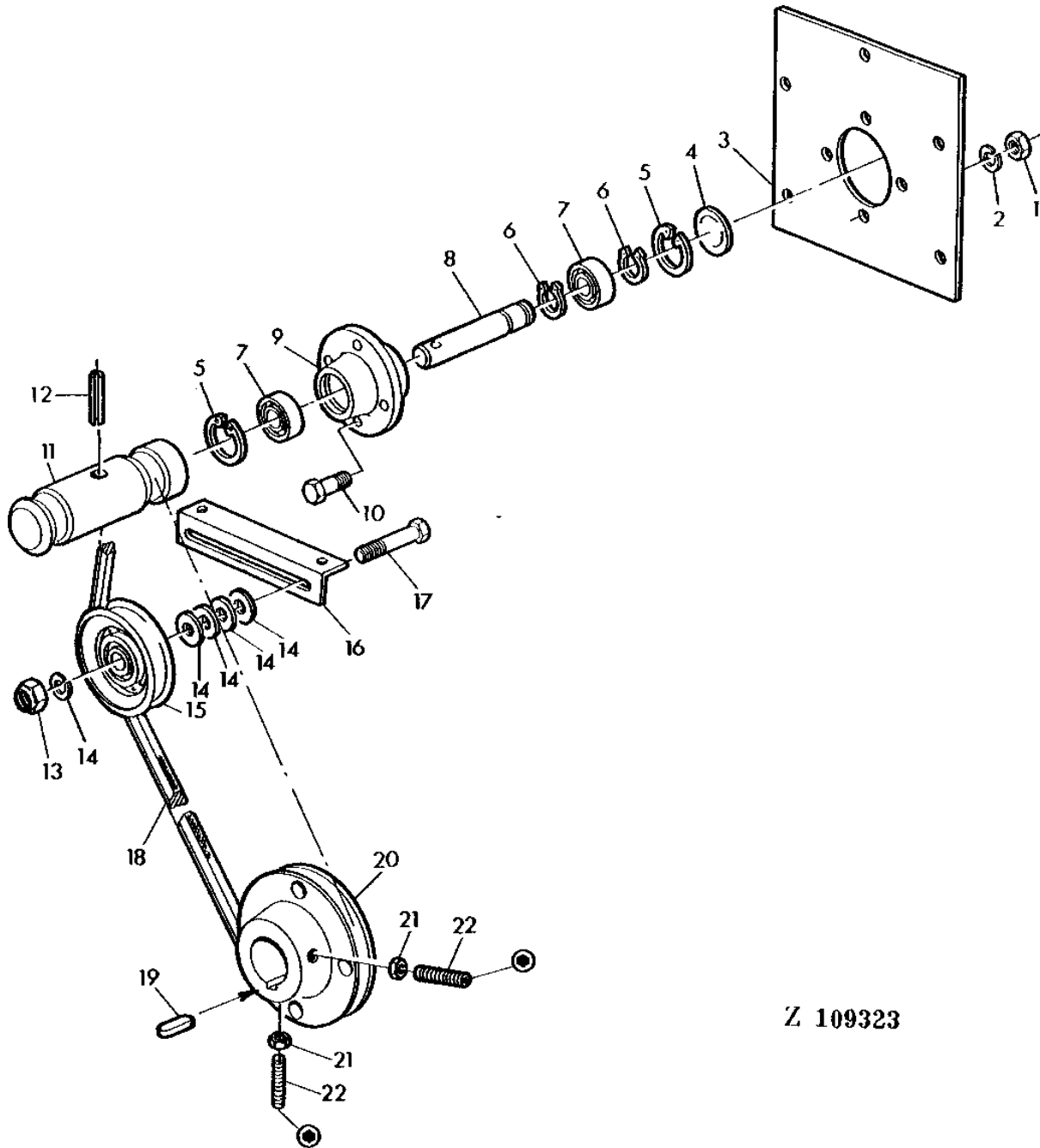
3F7

OPERATOR'S STATION

Z109323

-UN-01JAN94

SUCTION FAN DRIVE



Z 109323

3F8

OPERATOR'S STATION

SUCTION FAN DRIVE - CONTINUED

KEY	PART NO.	PART NAME	QTY	SERIAL NO.	4 4 4 3 4 5 3 H 5 Y	REMARKS
1	14M7029	NUT	AR		X	M8
2	12M7008	LOCK WASHER	AR		X	8.100 MM
3	Z44190	DISK SPRING	1		X	
4	30M7002	PLUG	1		X	48 MM
5	40M1863	SNAP RING	2		X	47 X 1,75MM
6	40M1828	SNAP RING	2		X	25 X 1,2MM
7	JD30543	BALL BEARING	2		X	
8	Z44189	PIN	1		X	
9	Z11522	QUILL	1		X	
10	19M7376	CAP SCREW	AR		X	M8 X 22
11	Z44878	SHEAVE	1		X	
12	34M7049	SPRING PIN	1		X	8 X 50 MM
13	14M7169	LOCK NUT	1		X	M14
14	24M7085	WASHER	5		X	15 X 28 X 2.500 MM
15	AZ33958	IDLER	1		X	
16	Z44877	ANGLE	1		X	
17	19M7335	CAP SCREW	1		X	M14 X 45
18	Z38704	BELT	1		X	
19	49M4111	SHAFT KEY	1		X	8 X 7 X 40 MM
20	Z11579	SHEAVE	1		X	
21	14M7152	NUT	AR		X	M10
22	22M7147	SET SCREW	2		X	M10 X 16

3F10

HEADERS

FOR INDIVIDUAL HEADER PARTS CATALOGS REFER TO:

PC-2104 - PARTS CATALOG FOR JOHN DEERE 900 SERIES PLATFORMS

PC-1223 - PARTS CATALOG FOR JOHN DEERE 40 SERIES CORN HEADS

PC-1747 - PARTS CATALOG FOR JOHN DEERE 50A SERIES ROW-CROP HEADS

PC-2210 - PARTS CATALOG FOR JOHN DEERE BELT PICKUPS AND PICKUP PLATFORMS

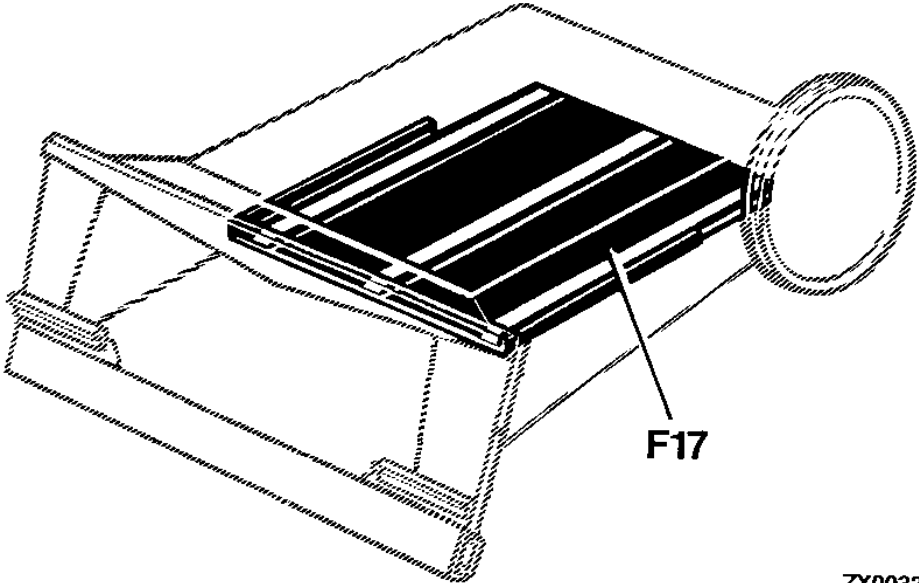
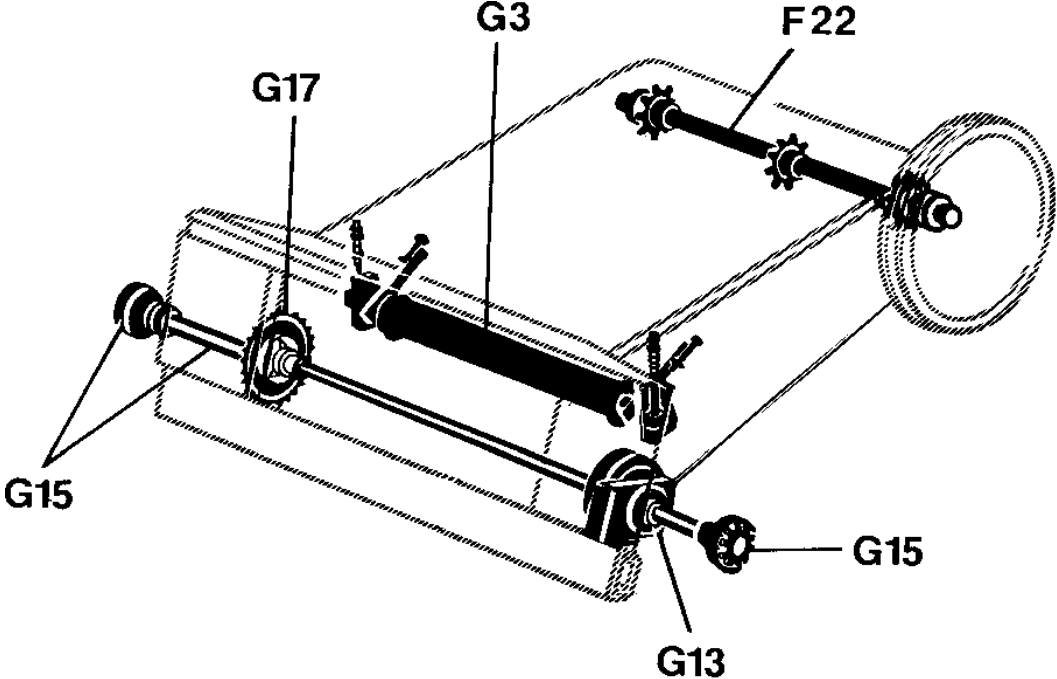
3F14

FEEDER HOUSE

SECTIONAL PICTORIAL INDEX

XX
XX
XX
XX
XX
XX

ZX003373 -UN-02FEB94



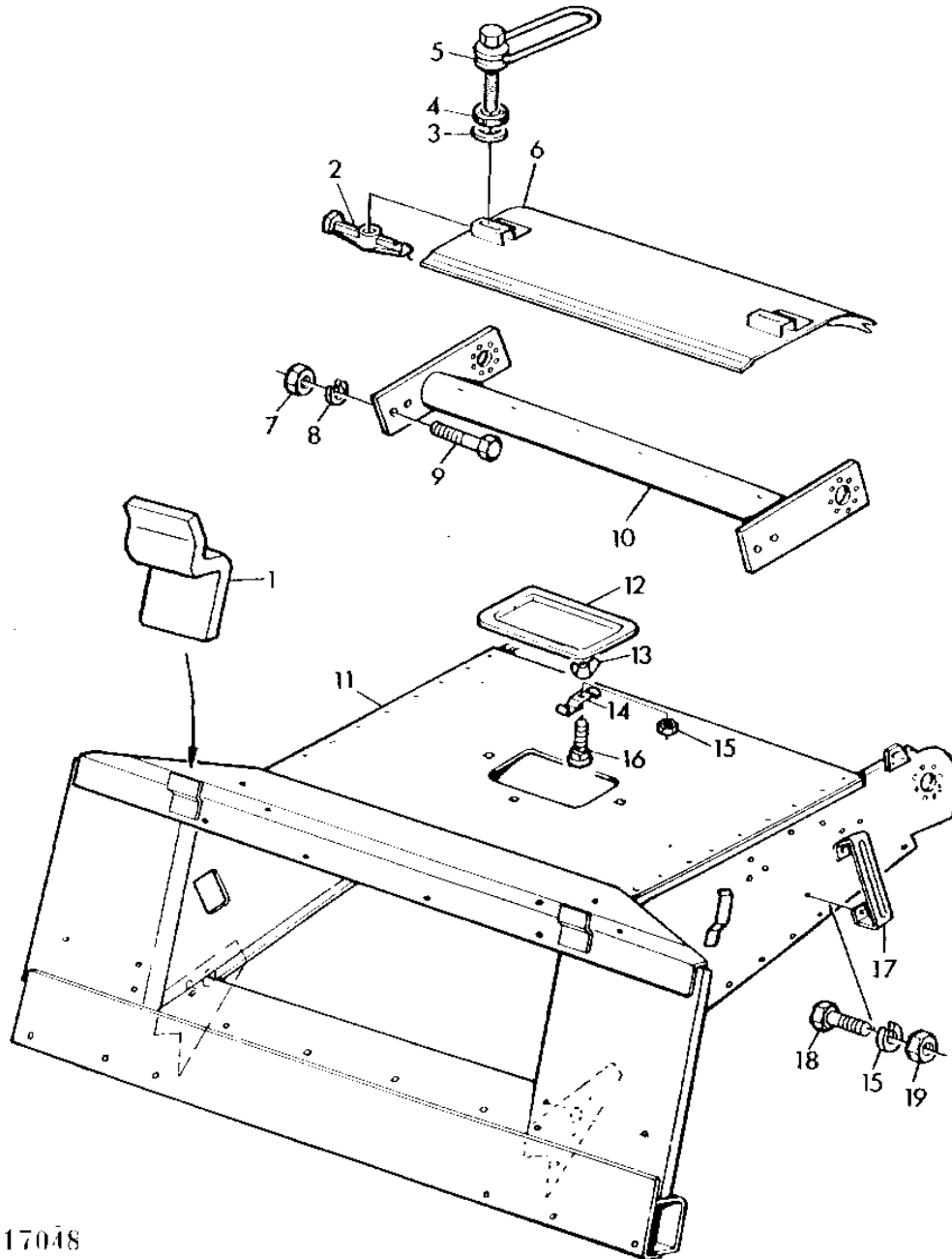
ZX003373

3F15

FEEDER HOUSE

Z117048 -UN-01JAN94

FEEDER CONVEYOR HOUSING



Z117048

3F16

FEEDER HOUSE

FEEDER CONVEYOR HOUSING - CONTINUED

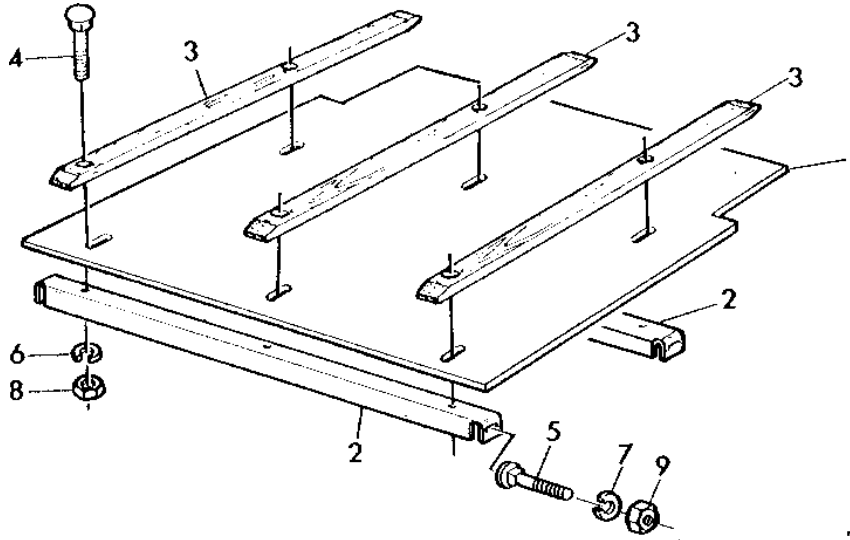
KEY	PART NO.	PART NAME	QTY	SERIAL NO.	4 4 4 3 4 5 3 H 5 Y	REMARKS
1	Z35149	HOLDER	2		X X	
2	Z11852	RETAINER	2		X X	
3	Z21157	WASHER	2		X X	
4	Z35271	BUSHING	2		X X	
5	AZ39183	SCREW	2		X X	
6	AZ38197	FLAP	1		X X	
7	14M7142	NUT	4		X X	M16
8	12M7017	LOCK WASHER	4		X X	16.200 MM
9	19M7395	CAP SCREW	4		X X	M16 X 40
10	AZ34079	STABILIZER	1		X X	
11	AZ42154	CONVEYOR	1		X X	
12	Z20713	COVER	1		X X	
13	14M7020	WING NUT	AR		X X	M8
14	Z20367	CLAMP	4		X X	
15	12M7014	LOCK WASHER	2		X X	12.200 MM, AR,L.H.
16	03M7054	BOLT	AR		X X	M8 X 20
17	AZ18656	HOLDER	1		X X	
18	19M7268	CAP SCREW	2		X X	M12 X 25

3F17

FEEDER HOUSE

Z109096 -UN-01JAN94

FEEDER CONVEYOR RETURN SHIELDS



Z 109096

KEY	PART NO.	PART NAME	QTY	SERIAL NO.	REMARKS
				4	
				4	
				4 3	
				4 5	
				3 H	
				5 Y	
1	Z33016	SHEET	1	X X	
2	Z30246	REINFORCEMENT	2	X X	
3	Z30245	SLAT	3	X X	
4	03M7098	BOLT	AR	X X	M10 X 35
5	03M7054	BOLT	AR	X X	M8 X 20
6	12M7013	LOCK WASHER	AR	X X	10.200 MM
7	12M7008	LOCK WASHER	AR	X X	8.100 MM
8	14M7140	NUT	AR	X X	M10
9	14M7029	NUT	AR	X X	M8

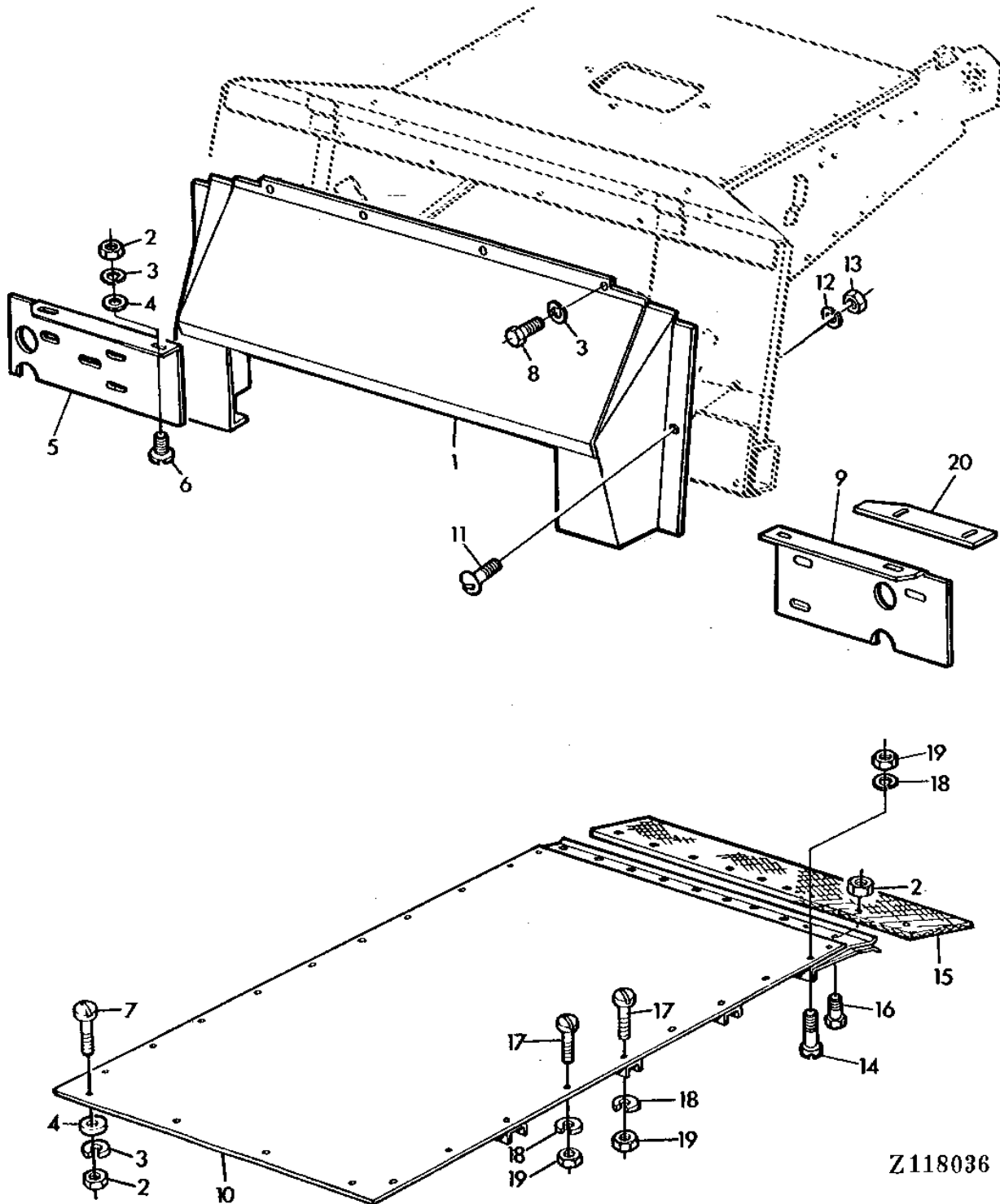
MEMORANDA

3F18

FEEDER HOUSE

Z118036 -UN-01JAN94

FEEDER HOUSE FRONT SHIELD AND BOTTOM SHEET



Z118036

3F19

FEEDER HOUSE

FEEDER HOUSE FRONT SHIELD AND BOTTOM SHEET - CONTINUED

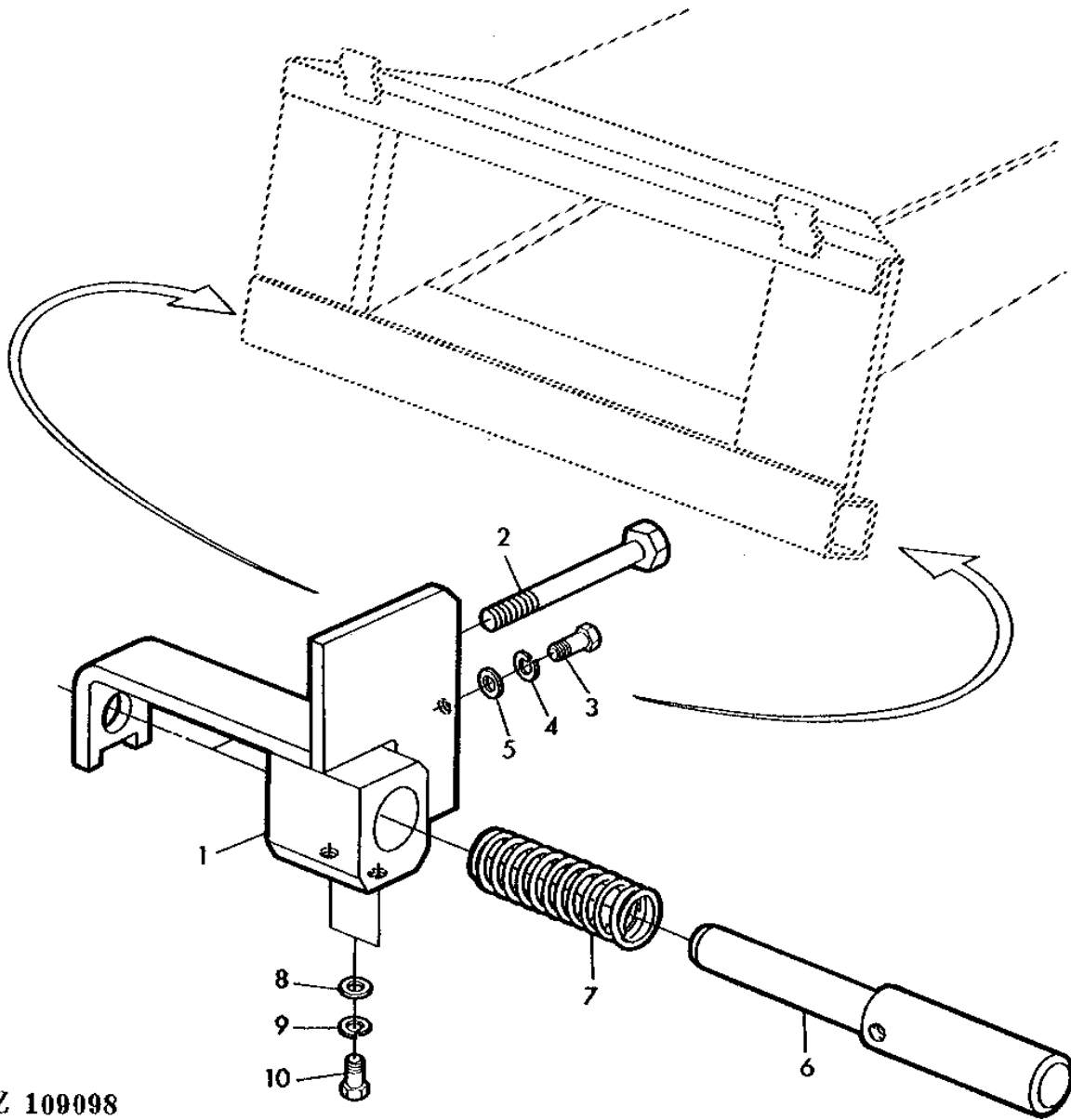
KEY	PART NO.	PART NAME	QTY	SERIAL NO.	4 4 4 3 4 5 3 H 5 Y	REMARKS
1	AZ38085	GUARD	1		X X	
2	14M7029	NUT	AR		X X	M8
3	12M7008	LOCK WASHER	AR		X X	8.100 MM
4	24M7036	WASHER	AR		X X	9 X 16 X 1.600 MM
5	Z51952	STRIPPER	1		X X	R.H.
6	21M7160	SCREW	AR		X X	M8 X 18
7	03M7069	BOLT	AR		X X	M8 X 35
8	19M7284	CAP SCREW	AR		X X	M8 X 18
9	Z51951	STRIPPER	1		X X	L.H.
10	AZ18674	SHEET	1		X X	
11	21M7031	SCREW	AR		X X	M6 X 15
12	12M7012	LOCK WASHER	AR		X X	6.100 MM
13	14M7027	NUT	AR		X X	M6
14	21M7093	SCREW	AR		X X	M10 X 30
15	Z32144	GASKET	1		X X	
16	19M7376	CAP SCREW	AR		X X	M8 X 22
17	21M7090	SCREW	AR		X X	M10 X 25
18	12M7013	LOCK WASHER	AR		X X	10.200 MM
19	14M7140	NUT	AR		X X	M10
20	Z30527	BRACKET	2		X X	

3F20

FEEDER HOUSE

Z109098 -UN-01JAN94

HEADER ATTACHING PIN



Z 109098

3F21

FEEDER HOUSE

HEADER ATTACHING PIN - CONTINUED

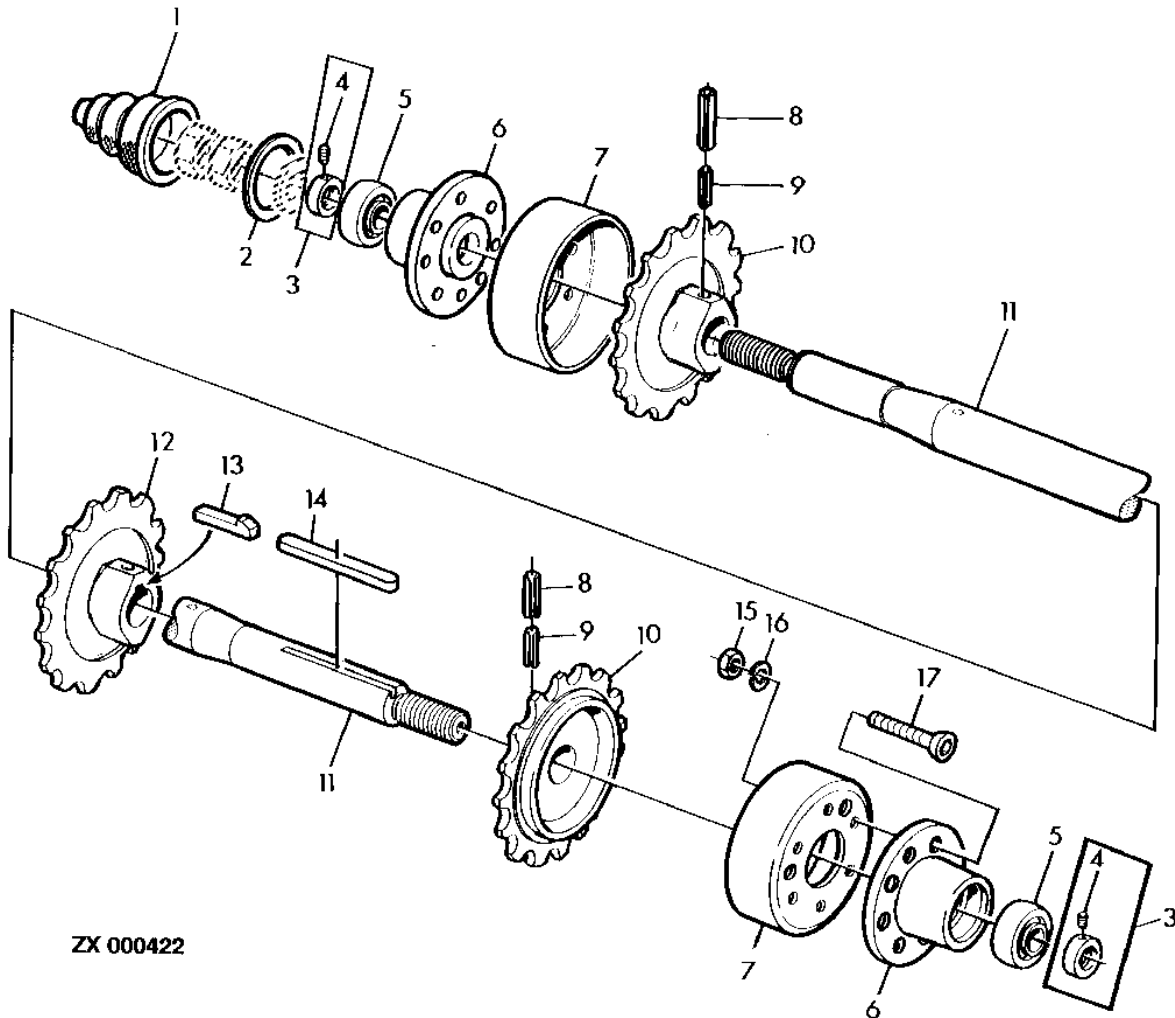
KEY	PART NO.	PART NAME	QTY	SERIAL NO.	4 4 4 3 4 5 3 H 5 Y	REMARKS
1	AZ35392	QUICK COUPLER	1		X X	R.H.
	AZ35393	QUICK COUPLER	1		X X	L.H.
2	19M7415	CAP SCREW	2		X X	M12 X 130
3	19M7139	CAP SCREW	2		X X	M8 X 20
4	12M7008	LOCK WASHER	2		X X	8.100 MM
5	24M7036	WASHER	2		X X	9 X 16 X 1.600 MM
6	Z44851	PIN	2		X X	
7	124424	SPRING	2		X X	
8	24M7040	WASHER	4		X X	11 X 20 X 2 MM
9	12M7013	LOCK WASHER	4		X X	10.200 MM
10	19M7166	CAP SCREW	4		X X	M10 X 20

3F22

FEEDER HOUSE

ZX000422 -UN-11JUL96

FEEDER HOUSE UPPER SHAFT AND SPROCKETS



ZX 000422

3F23

FEEDER HOUSE

FEEDER HOUSE UPPER SHAFT AND SPROCKETS - CONTINUED

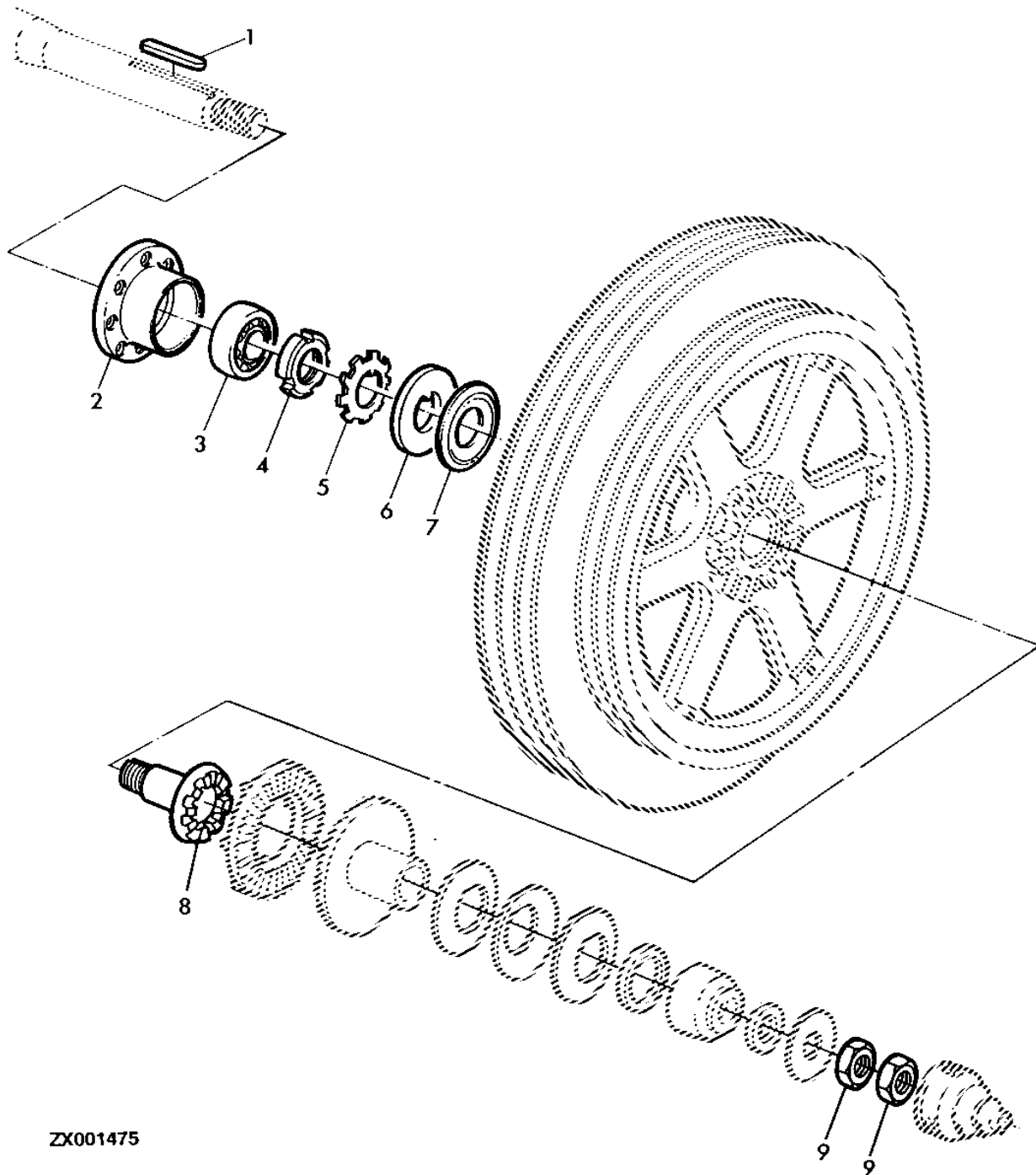
KEY	PART NO.	PART NAME	QTY	SERIAL NO.	4 4 4 3 4 5 3 H 5 Y	REMARKS
1	Z35052	BOOT	1		X X	
2	Z38832	WASHER	1		X X	
3	AZ10020	ECCENTRIC LOCKING COLLAR	2		X X	
4	22M7081	SET SCREW	2		X X	M10 X 10
5	AZ19427	BALL BEARING	2		X X	
6	Z11498	CASE	2		X X	(SUB Z12357)
	Z12357	CASE	2	-058049	X X	
	Z12357	CASE	1	058050-	X X	
7	Z43927	DEFLECTOR	2		X X	
8	34M7073	SPRING PIN	2		X X	10 X 65 MM
9	34M7045	SPRING PIN	2		X X	6 X 60 MM
10	Z11514	CHAIN SPROCKET	2		X X	13 TEETH
11	Z43931	DRIVE SHAFT	1		X	(SUB Z53256)
	Z53256	DRIVE SHAFT	1	-058049	X X	(ORDER Z57761 AND AZ45480)
	Z57761	DRIVE SHAFT	1	058050-	X X	
12	Z11515	CHAIN SPROCKET	1		X X	13 TEETH
13	50M4203	SHAFT KEY	1		X X	10 X 8 X 63 MM
14	49M4128	SHAFT KEY	1		X X	10 X 8 X 125 MM
15	14M7029	NUT	AR		X X	M8
16	12M7008	LOCK WASHER	AR		X X	8.100 MM
17	19M7574	SCREW	16		X X	M8 X 40

3F24

FEEDER HOUSE

ZX001475 -UN-01JAN94

FEEDER HOUSE UPPER DRIVE



ZX001475

3F25

FEEDER HOUSE

FEEDER HOUSE UPPER DRIVE - CONTINUED

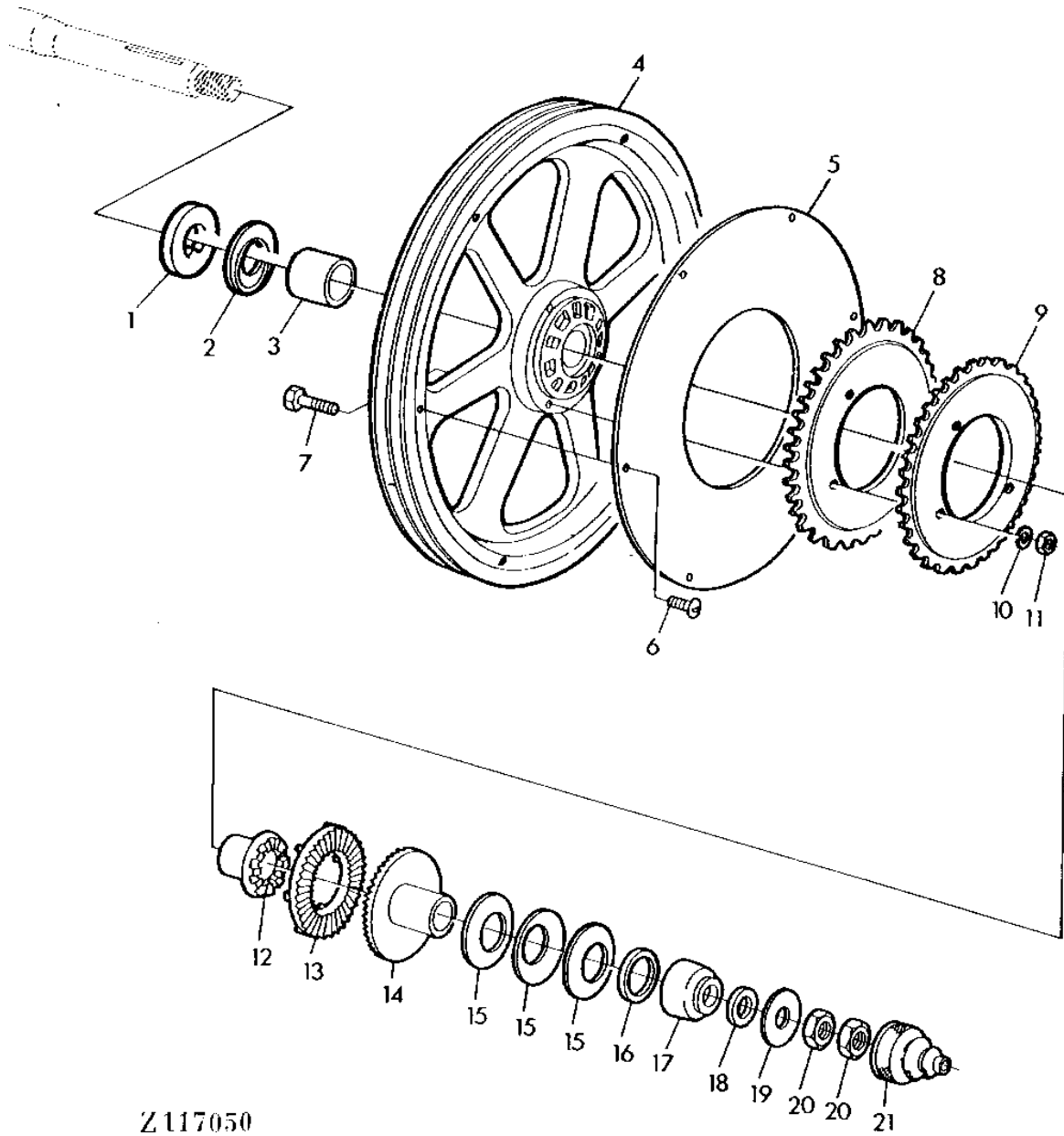
KEY	PART NO.	PART NAME	QTY	SERIAL NO.	4 4 4 3 4 5 3 H 5 Y	REMARKS
1	49M4072	KEY	1	058050-	X X	10 X 8 X 50 MM
2	Z12497	QUILL	1	058050-	X X	
3	AZ45429	BALL BEARING	1	058050-	X X	
4	Z57707	NUT	1	058050-	X X	
5	Z57708	LOCK PLATE	1	058050-	X X	
6	Z56898	WASHER	1	058050-	X X	
7	Z56899	WASHER	1	058050-	X X	
8	Z12498	HUB	1	058050-	X X	
9	14M7143	NUT	2	058050-	X X	M24
..	AZ45480	KIT	1	-058049	X X	(INCL.KEYS 1-9)

3G1

FEEDER HOUSE

Z117050 -UN-01JAN94

FEEDER HOUSE UPPER SHEAVE AND SPROCKETS



Z117050

3G2

FEEDER HOUSE

FEEDER HOUSE UPPER SHEAVE AND SPROCKETS - CONTINUED

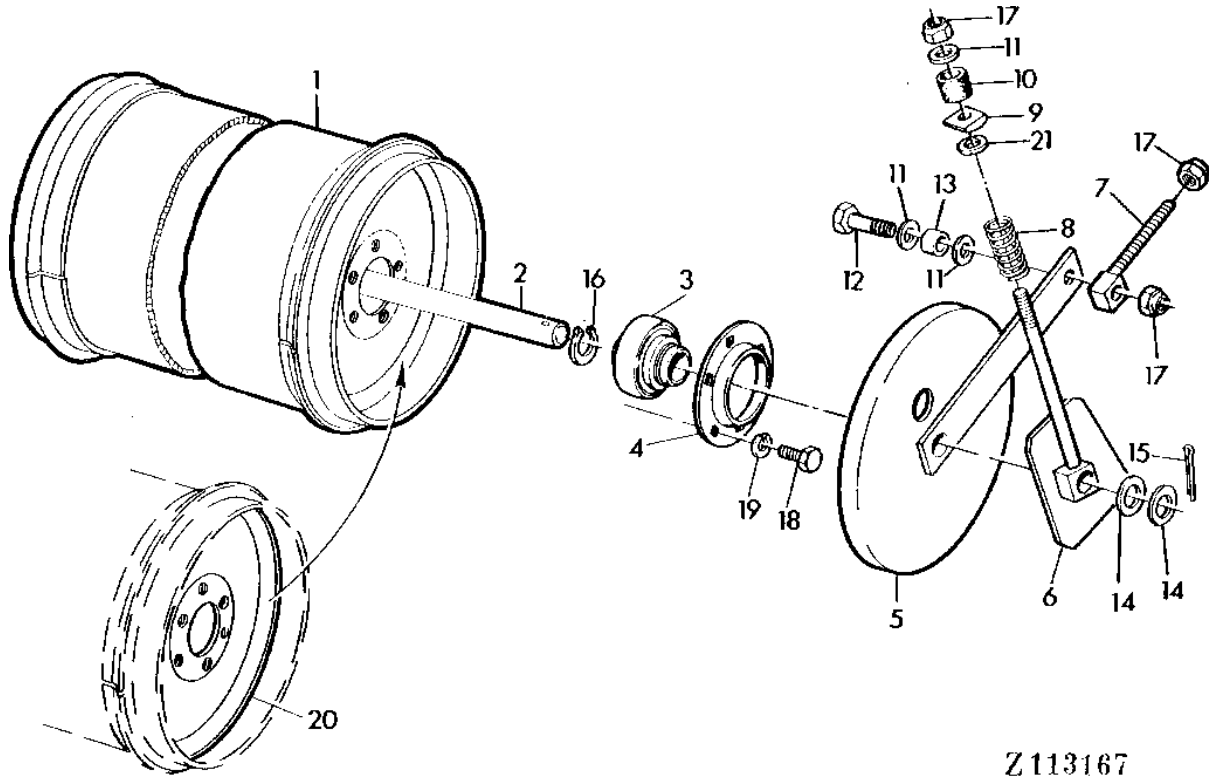
KEY	PART NO.	PART NAME	QTY	SERIAL NO.	4 4 4 3 4 5 3 H 5 Y	REMARKS
1	Z53193	WASHER	1	-058049	X X	
2	Z53192	WASHER	1	-058049	X X	
3	Z53112	BUSHING	1		X X	
4	Z11506	PULLEY	1		X X	(SUB AZ44566)
	AZ44566	PULLEY	1		X X	
5	Z39576	GUARD	1		X X	
6	21M7083	SCREW	AR		X X	M6 X 10
7	19M7328	CAP SCREW	3		X X	M10 X 70
8	Z11575	CHAIN SPROCKET	1		X	55 TEETH, (SUB Z12346)
	Z12346	CHAIN SPROCKET	1		X X	55 TEETH
9	Z44844	CHAIN SPROCKET	1		X	53 TEETH, (SUB Z53452)
	Z53452	CHAIN SPROCKET	1		X X	53 TEETH
10	12M7013	LOCK WASHER	AR		X X	10.200 MM
11	14M7140	NUT	AR		X X	M10
12	Z12240	SLIP CLUTCH	1		X X	(SUB Z12466)
	Z12466	SLIP CLUTCH	1	-058049	X X	
13	Z10847	SLIP CLUTCH	1		X X	
14	Z11501	SLIP CLUTCH	1		X X	
15	Z29634	DISK SPRING	3		X X	
16	Z44243	WASHER	1		X X	
17	Z10775	THRUST WASHER	1		X X	
18	Z31187	WASHER	1		X X	
19	Z38832	WASHER	1		X X	
20	14M7240	NUT	2		X X	
21	Z35052	BOOT	1		X X	

3G3

FEEDER HOUSE

Z113167 -UN-01JAN94

FEEDER CONVEYOR DRUM



Z113167

3G4

FEEDER HOUSE

FEEDER CONVEYOR DRUM - CONTINUED

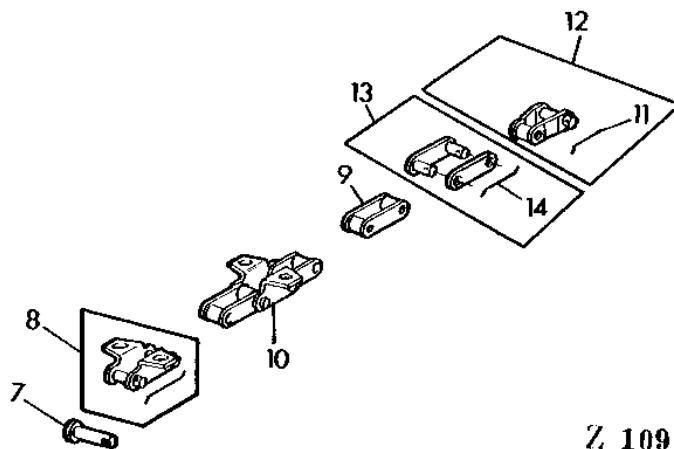
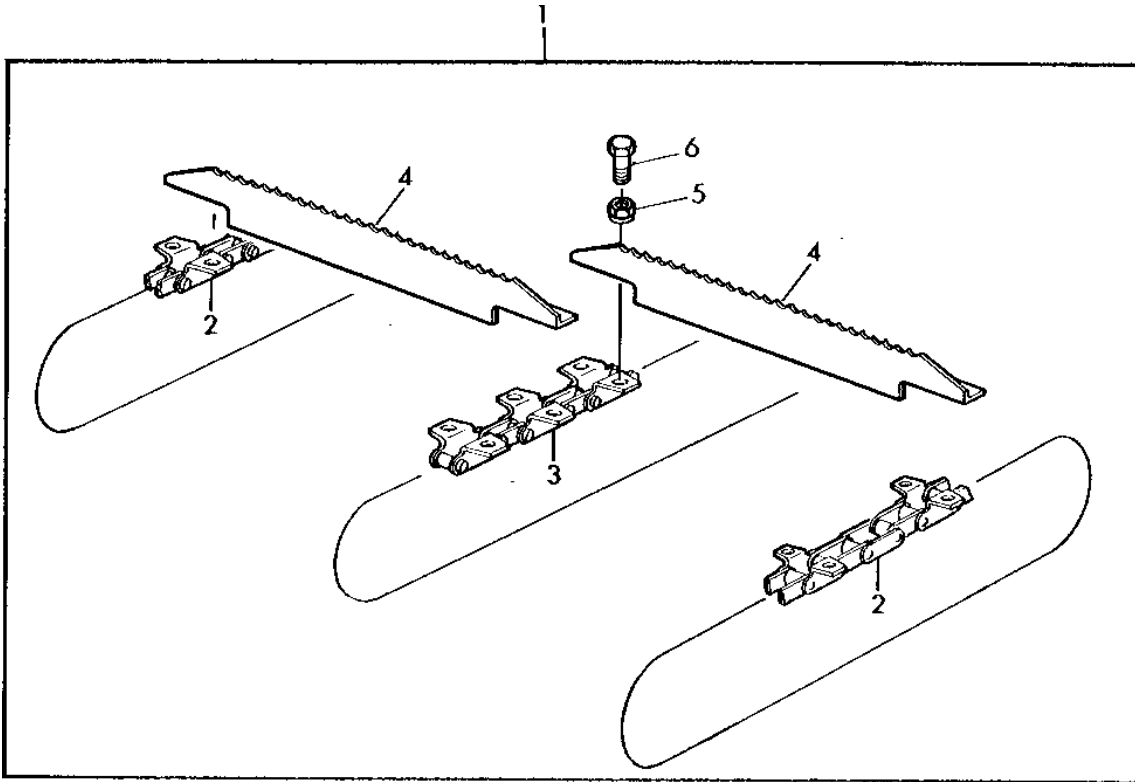
KEY	PART NO.	PART NAME	QTY	SERIAL NO.	4 4 4 3 4 5 3 H 5 Y	REMARKS
1	AZ26878	DRUM	1		X X	
2	Z30137	SHAFT	1		X X	
3	JD39104	BALL BEARING	2		X X	
4	Z44269	PRESSED FLANGED HOUSING	2		X X	
5	AZ25927	SUPPORT	2		X X	
6	AZ18659	ADJUSTER	1		X X	R.H.
	AZ18786	ADJUSTER	1		X X	L.H.
7	AZ38076	EYEBOLT	2		X X	
8	Z44511	COMPRESSION SPRING	2		X X	
9	Z10683	PLATE	2		X X	
10	P49545	BUSHING	2		X X	
11	L18889	WASHER	6		X X	
12	Z47801	CAP SCREW	2		X X	
13	Z24862	SPACER	2		X X	
14	Z24651	WASHER	4		X X	
15	11M7037	COTTER PIN	2		X X	6.300 X 36 MM
16	40M1833	SNAP RING	2		X X	35 X 15MM
17	14M7170	LOCK NUT	AR		X X	M16
18	19M7166	CAP SCREW	AR		X X	M10 X 20
19	12M7013	LOCK WASHER	AR		X X	10.200 MM
20	AZ26295	HUB	2		X X	
21	24M7049	WASHER	AR		X X	17.500 X 30 X 3 MM

3G5

FEEDER HOUSE

Z109102 -UN-01JAN94

FEEDER CONVEYOR CHAIN



Z 109102

3G6

FEEDER HOUSE

FEEDER CONVEYOR CHAIN - CONTINUED

KEY	PART NO.	PART NAME	QTY	SERIAL NO.	4 4 4 3 4 5 3 H 5 Y	REMARKS
1	AZ34253	GATHERER CHAIN	1		X X	
2	AZ34238	GATHERER CHAIN	2		X X	80 LINKS
3	AZ34239	GATHERER CHAIN	1		X X	80 LINKS
4	Z33620	SLAT	28		X X	
5	14M7166	LOCK NUT	112		X X	M8
6	19M7284	CAP SCREW	112		X X	M8 X 18
7	AZ34226	PIN	3		X X	
8	AZ34227	CHAIN LINK	AR		X X	
9	AZ34230	CHAIN LINK	AR		X X	
10	AZ34229	CHAIN LINK	AR		X X	
11	Z44111	RETAINER	AR		X X	
12	AZ34231	CHAIN LINK	AR		X X	
13	AZ34228	CHAIN LINK	AR		X X	
14	Z42619	RETAINER	AR		X X	

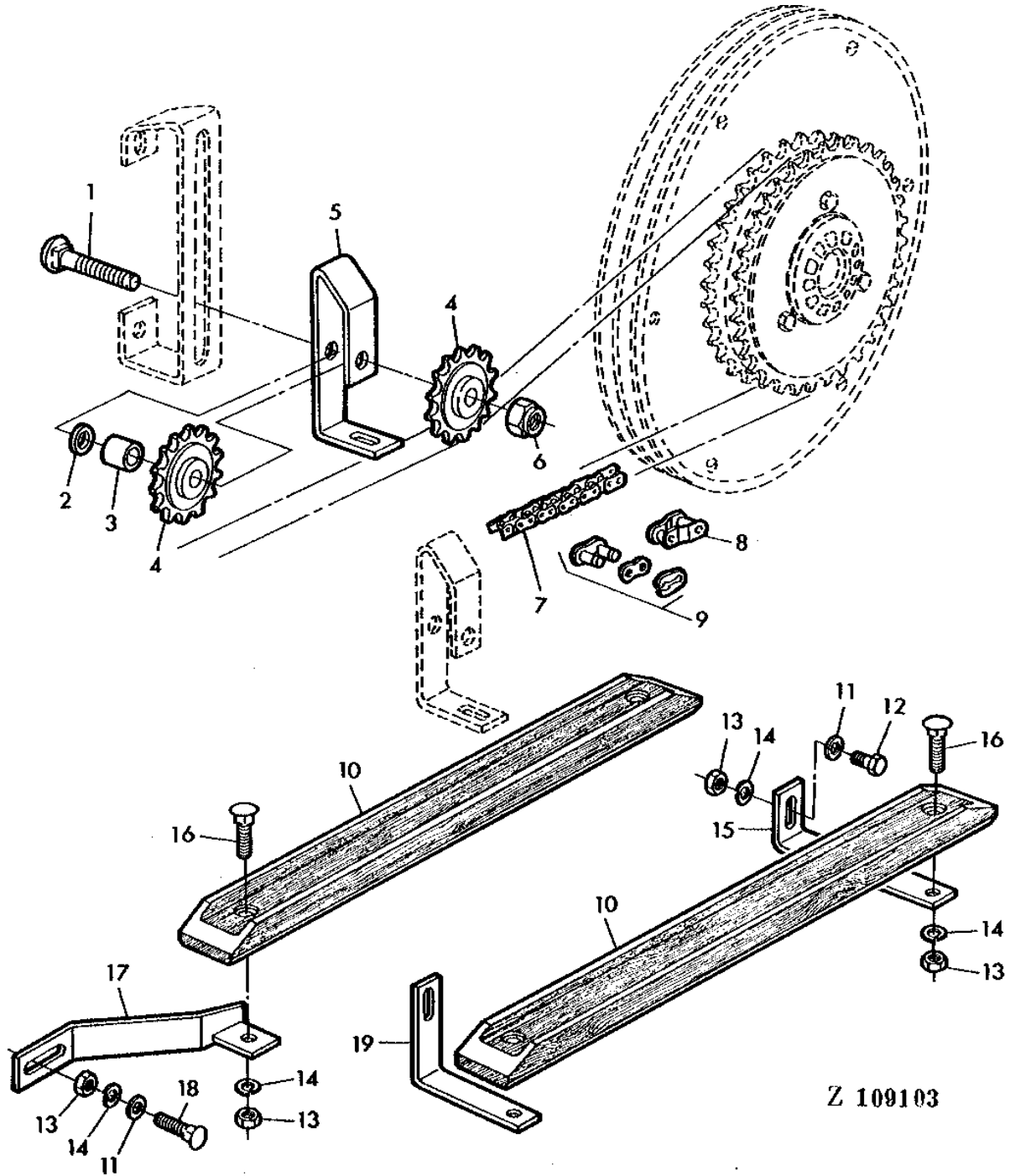
3G7

FEEDER HOUSE

Z109103

-UN-01JAN94

HEADER DRIVE CHAIN



Z 109103

3G8

FEEDER HOUSE

HEADER DRIVE CHAIN - CONTINUED

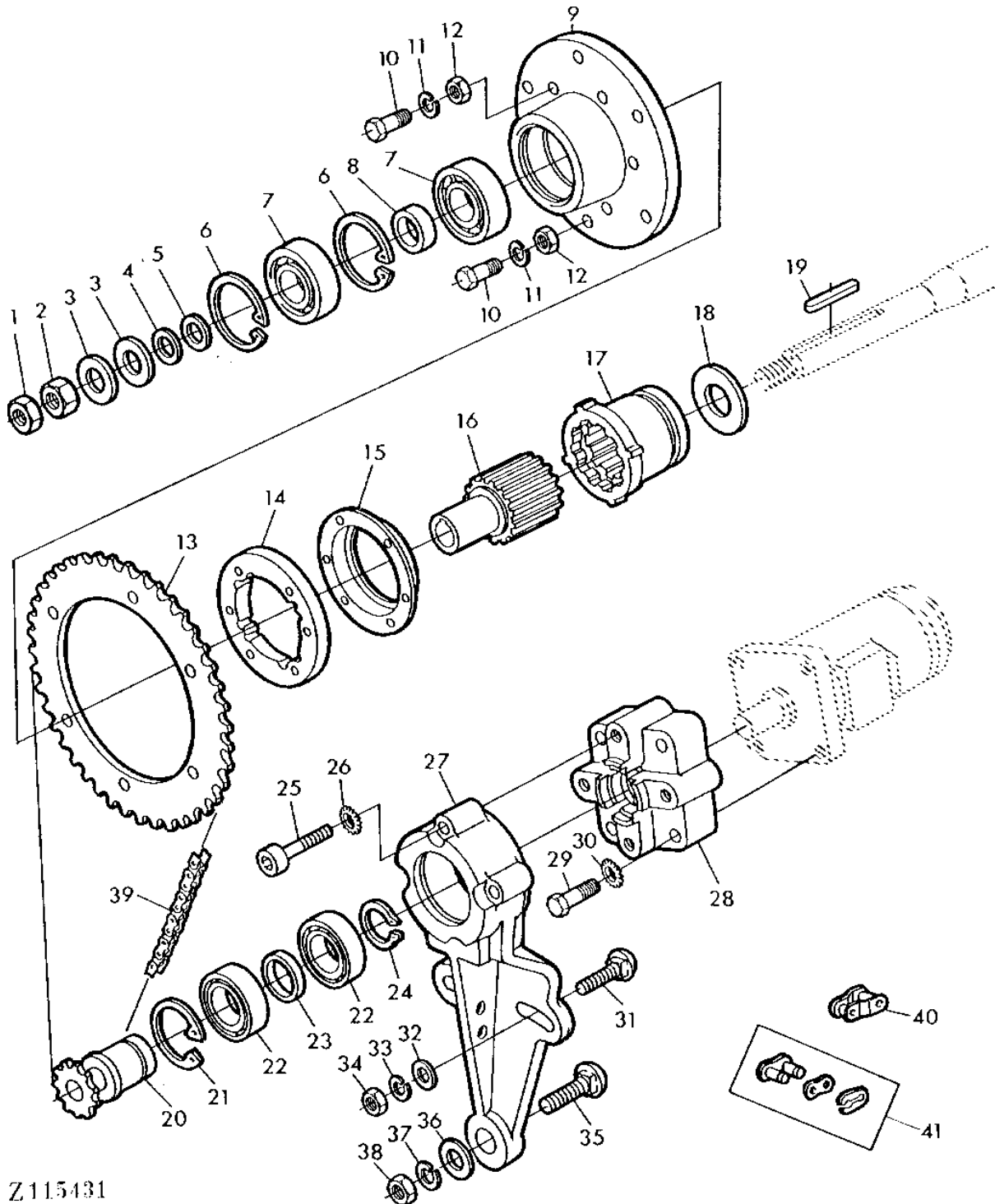
KEY	PART NO.	PART NAME	QTY	SERIAL NO.	4 4 4 3 4 5 3 H 5 Y	REMARKS
1	03M7081	BOLT	1		X X	M16 X 90
2	L18889	WASHER	1		X X	
3	Z39135	SPACER	1		X X	
4	AN31211	CHAIN SPROCKET	2		X X	
5	Z44846	RETAINER	1		X X	
6	14M7170	LOCK NUT	1		X X	M16
7	AZ28814	LINK CHAIN	1		X X	193 LINKS, INCL.KEYS 8,9
8	AL14908	LINK	1		X X	
9	AL14211	LINK	1		X X	
10	Z44847	GUIDE	2		X X	
11	24M7040	WASHER	3		X X	11 X 20 X 2 MM
12	19M7168	CAP SCREW	2		X X	M10 X 30
13	14M7140	NUT	7		X X	M10
14	12M7013	LOCK WASHER	7		X X	10.200 MM
15	Z36573	HOLDER	1		X X	
16	03M7098	BOLT	4		X X	M10 X 35
17	AZ25479	HOLDER	1		X X	
18	03M7084	BOLT	1		X X	M10 X 25
19	Z36574	HOLDER	1		X X	(SUB Z55643)
	Z55643	RETAINER	1		X X	

3G9

FEEDER HOUSE

Z115431 -UN-01JAN94

HYDRAULIC REVERSER DRIVE



Z115431

3G10

FEEDER HOUSE

HYDRAULIC REVERSER DRIVE - CONTINUED

KEY	PART NO.	PART NAME	QTY	SERIAL NO.	4 4 4 3 4 5 3 H 5 Y	REMARKS
1	14M7212	NUT	1		X X	M24
2	14M7143	NUT	1		X X	M24
3	Z20822	WASHER	2		X X	
4	Z26640	WASHER	AR		X X	
5	Z26641	WASHER	AR		X X	
6	40M1871	SNAP RING	2		X X	80 X 2,5MM
7	JD10287	BALL BEARING	2		X X	
8	Z44146	WASHER	1		X X	
9	Z11893	HUB	1		X X	
10	19M7288	CAP SCREW	AR		X X	M8 X 30
11	12M7008	LOCK WASHER	AR		X X	8.100 MM
12	14M7029	NUT	AR		X X	M8
13	Z44164	CHAIN SPROCKET	1		X X	
14	Z44166	RING	1		X X	
15	Z44165	GUARD	1		X X	
16	Z44167	HUB	1		X X	
17	H98905	SHIFT COLLAR	1		X	(SUB H132328)
	H132328	SHIFT COLLAR	1		X X	
18	Z20831	WASHER	1		X X	
19	49M4123	SHAFT KEY	1		X X	10 X 8 X 70 MM
20	AZ34285	CHAIN SPROCKET	1		X X	
21	40M5546	SNAP RING	1		X X	68 X 2,5MM
22	JD10286	BALL BEARING	2		X X	
23	Z44148	WASHER	1		X X	
24	40M1835	SNAP RING	1		X X	40 X 1,75MM
25	19M8255	SCREW	4		X X	M8 X 50
26	12M7072	LOCK WASHER	AR		X X	8.400 MM
27	Z11521	LEVER	1		X X	
28	Z11517	COVER	1		X X	
29	19H2284	CAP SCREW	4		X X	3/8" X 7/8"
30	12M7061	LOCK WASHER	AR		X X	10.500 MM
31	03M7109	BOLT	2		X X	M12 X 50
32	24M7047	WASHER	2		X X	13 X 24 X 2.500 MM
33	12M7014	LOCK WASHER	2		X X	12.200 MM
34	14M7031	NUT	2		X X	M12
35	03M7080	BOLT	1		X X	M16 X 70
36	L18889	WASHER	1		X X	
37	12M7017	LOCK WASHER	1		X X	16.200 MM
38	14M7142	NUT	1		X X	M16
39	AL15483	LINK CHAIN	1		X X	70 LINKS (INCL. KEY 41)
40	AL14908	LINK	1		X X	
41	AL14211	LINK	1		X X	

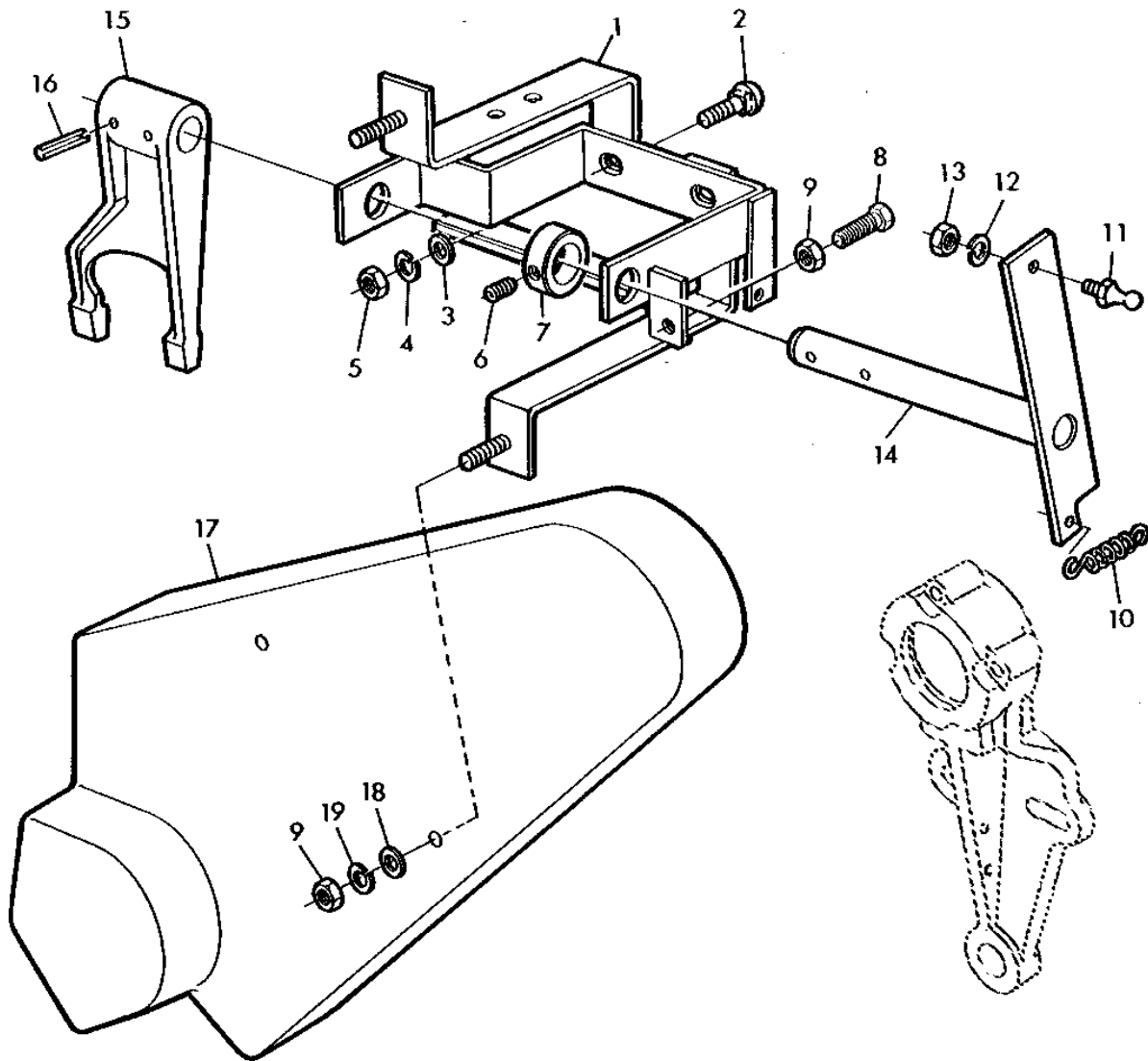
3G11

FEEDER HOUSE

Z109105

-UN-01JAN94

HYDRAULIC REVERSER SHIFTER



Z 109105

3G12

FEEDER HOUSE

HYDRAULIC REVERSER SHIFTER - CONTINUED

KEY	PART NO.	PART NAME	QTY	SERIAL NO.	4 4 4 3 4 5 3 H 5 Y	REMARKS
1	AZ33974	RETAINER	1		X X	
2	03M7098	BOLT	AR		X X	M10 X 35
3	24M7040	WASHER	AR		X X	11 X 20 X 2 MM
4	12M7013	LOCK WASHER	AR		X X	10.200 MM
5	14M7140	NUT	AR		X X	M10
6	22M7079	SET SCREW	1		X X	M6 X 6
7	Z44143	LOCKING COLLAR	1		X X	
8	19M7298	CAP SCREW	AR		X X	M8 X 35
9	14M7029	NUT	2		X X	M8
10	Z44466	EXTENSION SPRING	1		X X	
11	55M7003	BALL STUD	1		X X	8MM
12	12M7011	LOCK WASHER	AR		X X	5.100 MM
13	14M7297	NUT	AR		X X	M5
14	AZ34288	LEVER	1		X X	
15	Z11518	SHIFTER	1		X X	
16	34M7033	SPRING PIN	2		X X	5 X 30MM
17	Z44168	GUARD	1		X X	
18	24M7024	WASHER	1		X X	9 X 28 X 3 MM
19	12M7008	LOCK WASHER	2		X X	8.100 MM

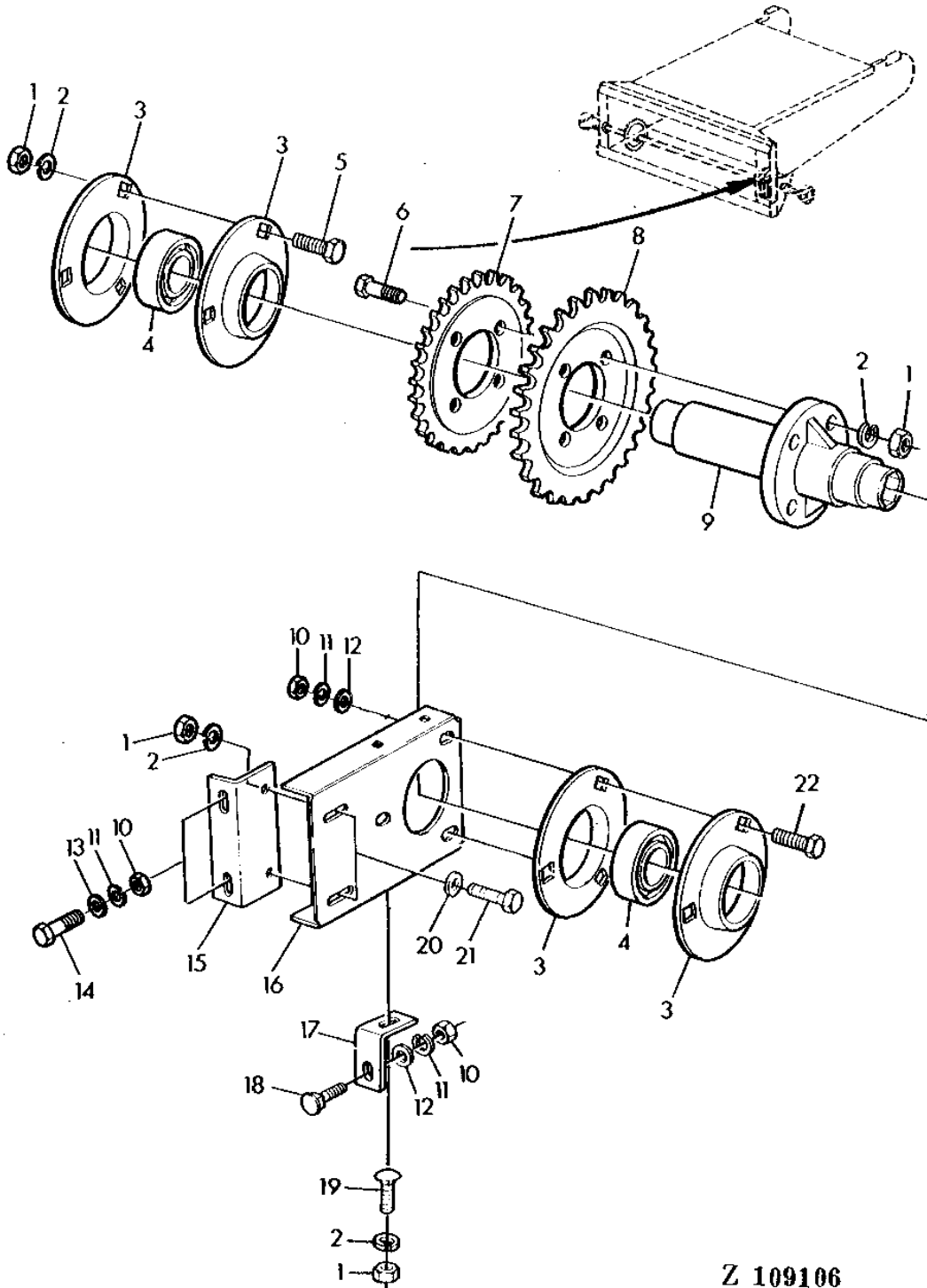
3G13

FEEDER HOUSE

Z109106

-UN-01JAN94

FEEDER HOUSE LOWER BEARINGS AND SPROCKETS, LEFT-HAND



3G14

FEEDER HOUSE

FEEDER HOUSE LOWER BEARINGS AND SPROCKETS,LEFT-HAND - CONTINUED

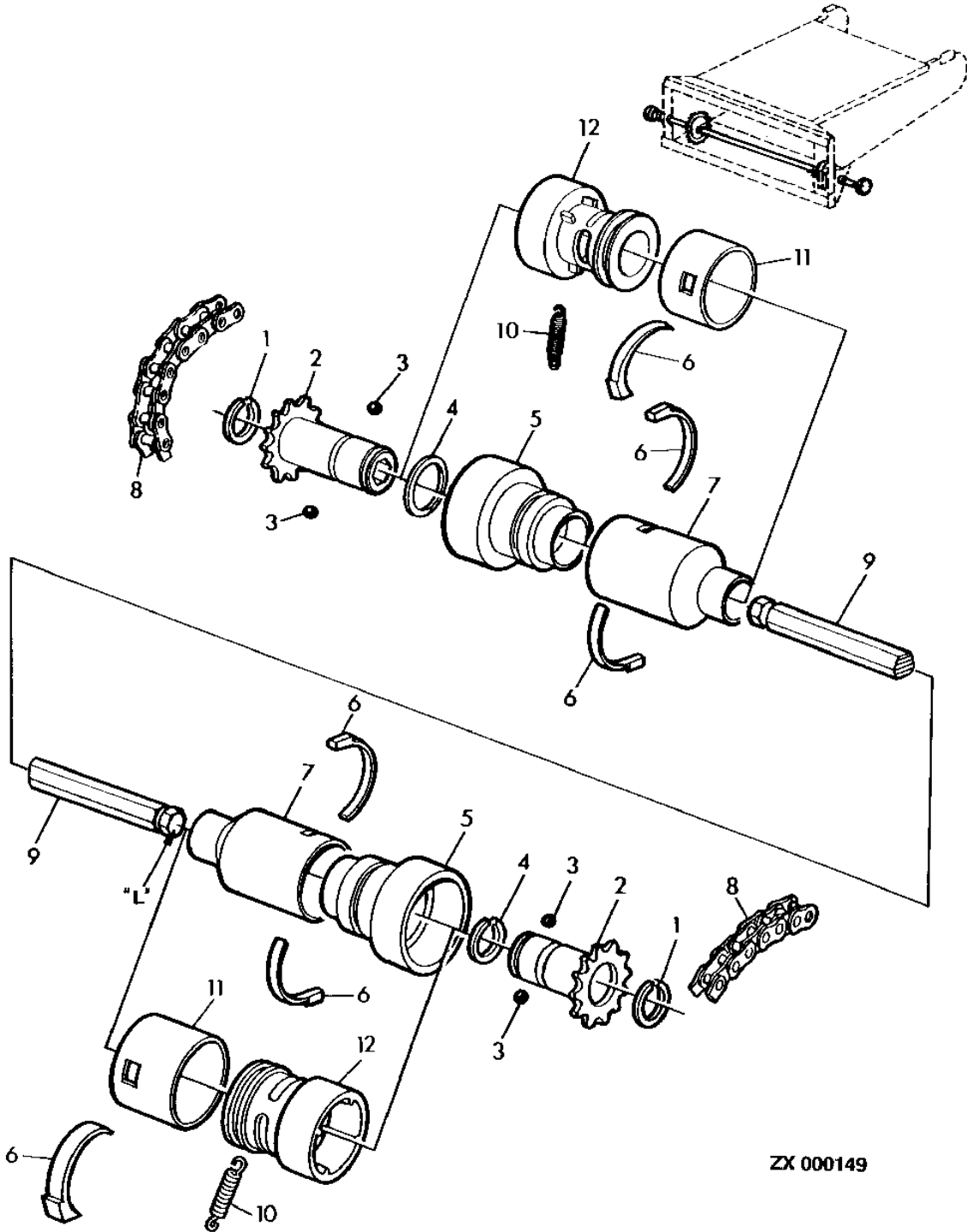
KEY	PART NO.	PART NAME	QTY	SERIAL NO.	4 4 4 3 4 5 3 H 5 Y	REMARKS
1	14M7140	NUT	AR		X X	M10
2	12M7013	LOCK WASHER	AR		X X	10.200 MM
3	Z34740	QUILL	4		X X	
4	AZ23315	BALL BEARING	2		X X	
5	19M7168	CAP SCREW	AR		X X	M10 X 30
6	19M7180	CAP SCREW	AR		X X	M10 X 45
7	Z44845	CHAIN SPROCKET	1		X	30 TEETH, (SUB Z53453)
	Z53453	CHAIN SPROCKET	1		X X	30 TEETH
8	Z11576	CHAIN SPROCKET	1		X	33 TEETH, (SUB Z12345)
	Z12345	CHAIN SPROCKET	1		X X	33 TEETH
9	Z11085	HUB	1		X X	
10	14M7031	NUT	AR		X X	M12
11	12M7014	LOCK WASHER	AR		X X	12.200 MM
12	24M7047	WASHER	1		X X	13 X 24 X 2.500 MM
13	24M7038	WASHER	2		X X	13.500 X 24 X 2.500 MM
14	19M7268	CAP SCREW	2		X X	M12 X 25
15	Z35318	ANGLE	1		X X	
16	Z35317	BRACKET	1		X X	
17	Z35321	HOLDER	1		X X	
18	03M7089	BOLT	1		X X	M12 X 30
19	03M7084	BOLT	AR		X X	M10 X 25
20	24M7040	WASHER	AR		X X	11 X 20 X 2 MM
21	19M7167	CAP SCREW	AR		X X	M10 X 25
22	19M7285	CAP SCREW	3		X X	M12 X 30

3G15

FEEDER HOUSE

ZX000149 -UN-11JUL96

HEADER DRIVE SHAFT



ZX 000149

3G16

FEEDER HOUSE

HEADER DRIVE SHAFT - CONTINUED

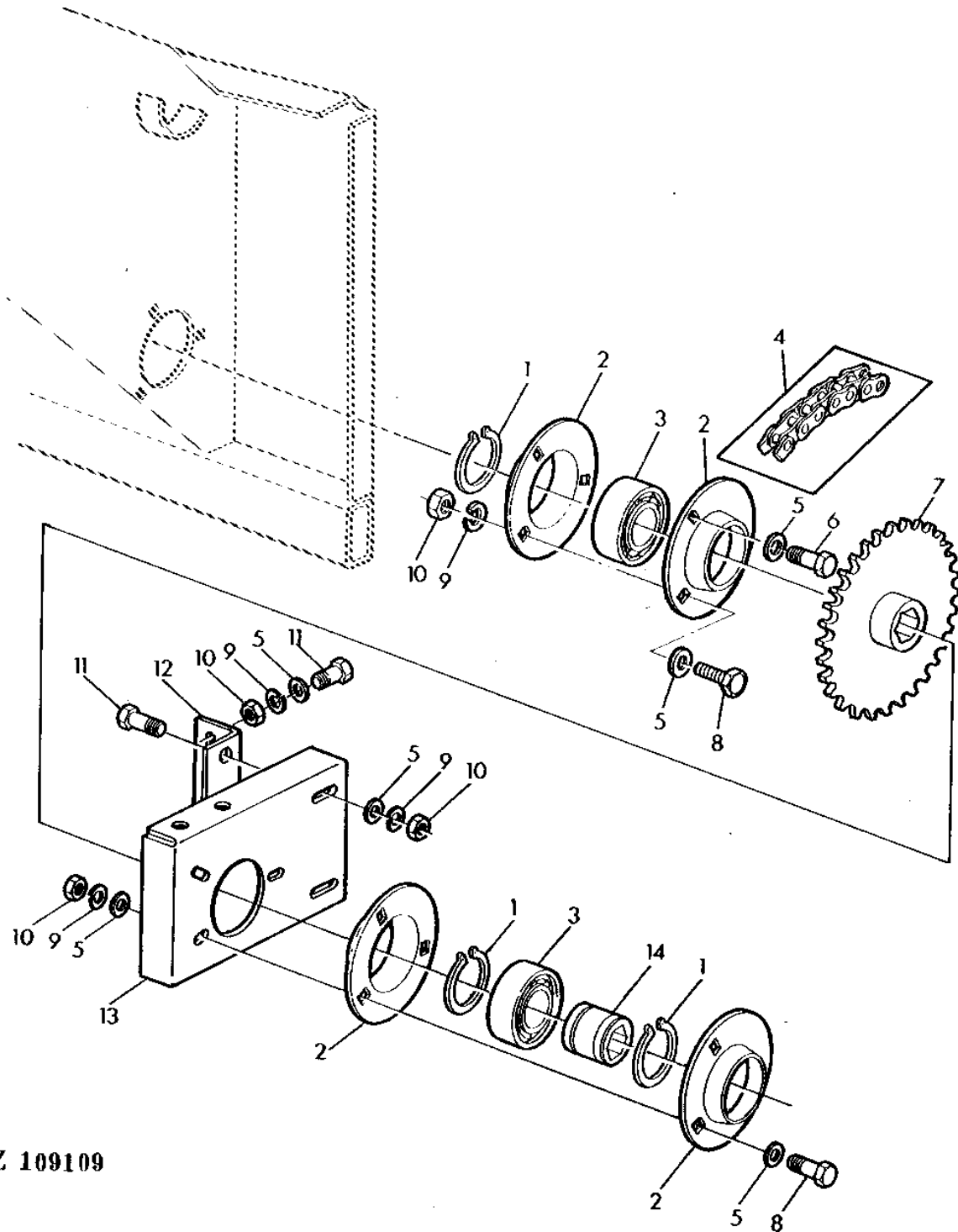
KEY	PART NO.	PART NAME	QTY	SERIAL NO.	4 4 4 3 4 5 3 H 5 Y	REMARKS
1	H80926	SNAP RING	2		X X	
2	AZ33602	CHAIN SPROCKET	2		X X	
3	N104243	BALL	6	-055946	X X	(FOR AH89038)
4	H25360	SNAP RING	2		X X	
5	AH89038	QUICK COUPLER	2	-055946	X X	
6	E62951	UNIVERSAL JOINT BEARING	4		X X	
7	H93438	SHIELD	2	-055946	X X	(FOR AH89038)
8	AN102383	LINK CHAIN	2		X X	13 LINKS
9	Z43552	TOOLBAR	1		X X	2330MM (91.73") LONG,(MARKED "L")
10	H128118	SPRING	2	055947-	X X	(FOR AH125783)
11	H127603	TUBE	2	055947-	X X	(FOR AH125783)
12	AH125783	QUICK COUPLER	2	055947-	X X	

3G17

FEEDER HOUSE

Z109109 -UN-01JAN94

LOWER REEL DRIVE



Z 109109

3G18

FEEDER HOUSE

LOWER REEL DRIVE - CONTINUED

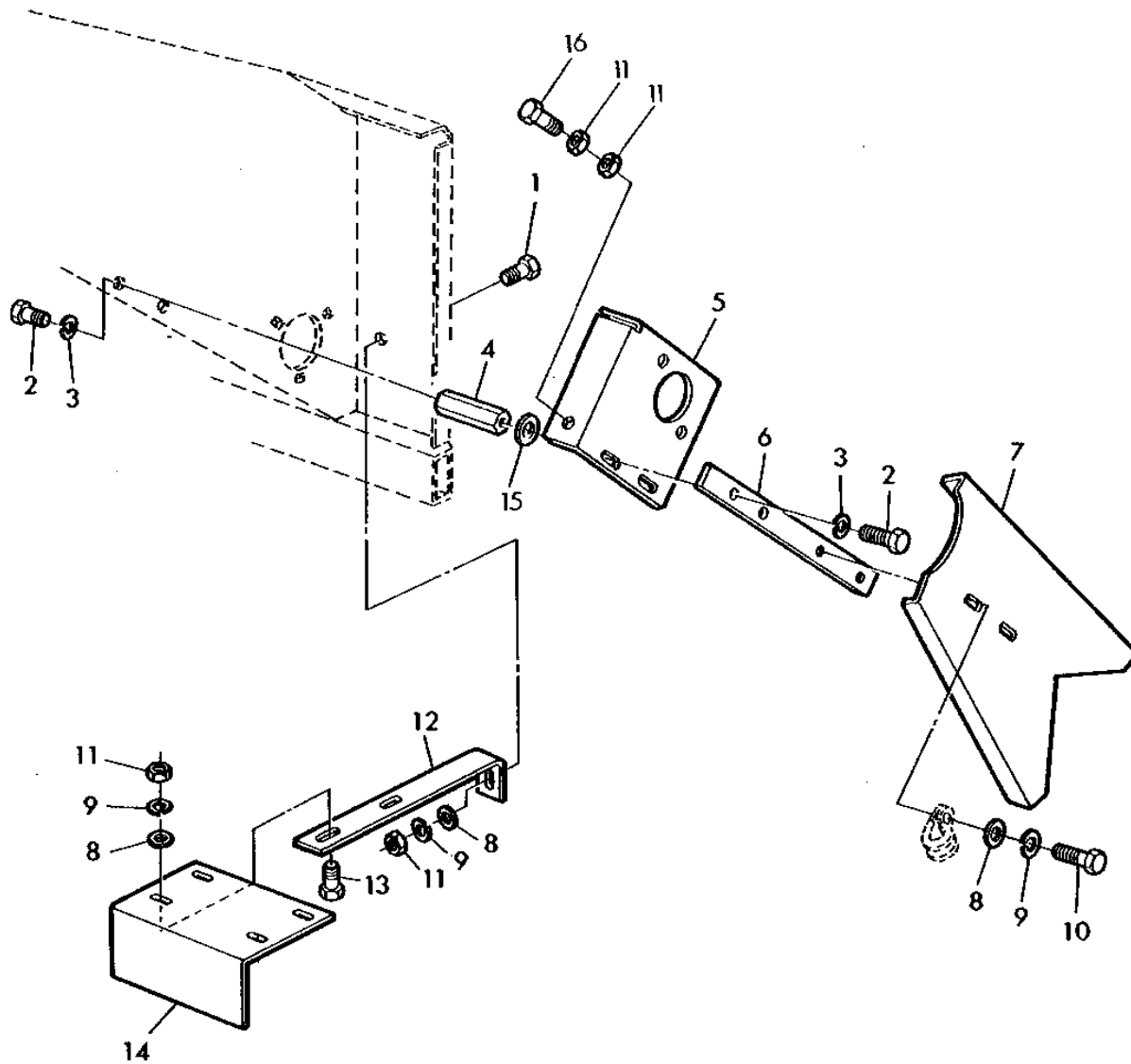
KEY	PART NO.	PART NAME	QTY	SERIAL NO.	4 4 4 3 4 5 3 H 5 Y	REMARKS
1	40M1835	SNAP RING	3		X X	40 X 1,75MM
2	Z34740	QUILL	4		X X	
3	AZ23315	BALL BEARING	2		X X	
4	AZ36218	ROLLER CHAIN	1		X X	
5	24M7040	WASHER	AR		X X	11 X 20 X 2 MM
6	19M7382	CAP SCREW	1		X X	M10 X 40
7	AZ35322	CHAIN SPROCKET	1		X X	47 TEETH
8	19M7168	CAP SCREW	5		X X	M10 X 30
9	12M7013	LOCK WASHER	AR		X X	10.200 MM
10	14M7140	NUT	AR		X X	M10
11	19M7167	CAP SCREW	4		X X	M10 X 25
12	Z35318	ANGLE	1		X X	
13	Z35317	BRACKET	1		X X	
14	Z30548	COUPLING	1		X X	

3G19

FEEDER HOUSE

Z109110 -UN-01JAN94

LOWER REEL DRIVE GUARDS



Z 109110

3G20

FEEDER HOUSE

LOWER REEL DRIVE GUARDS - CONTINUED

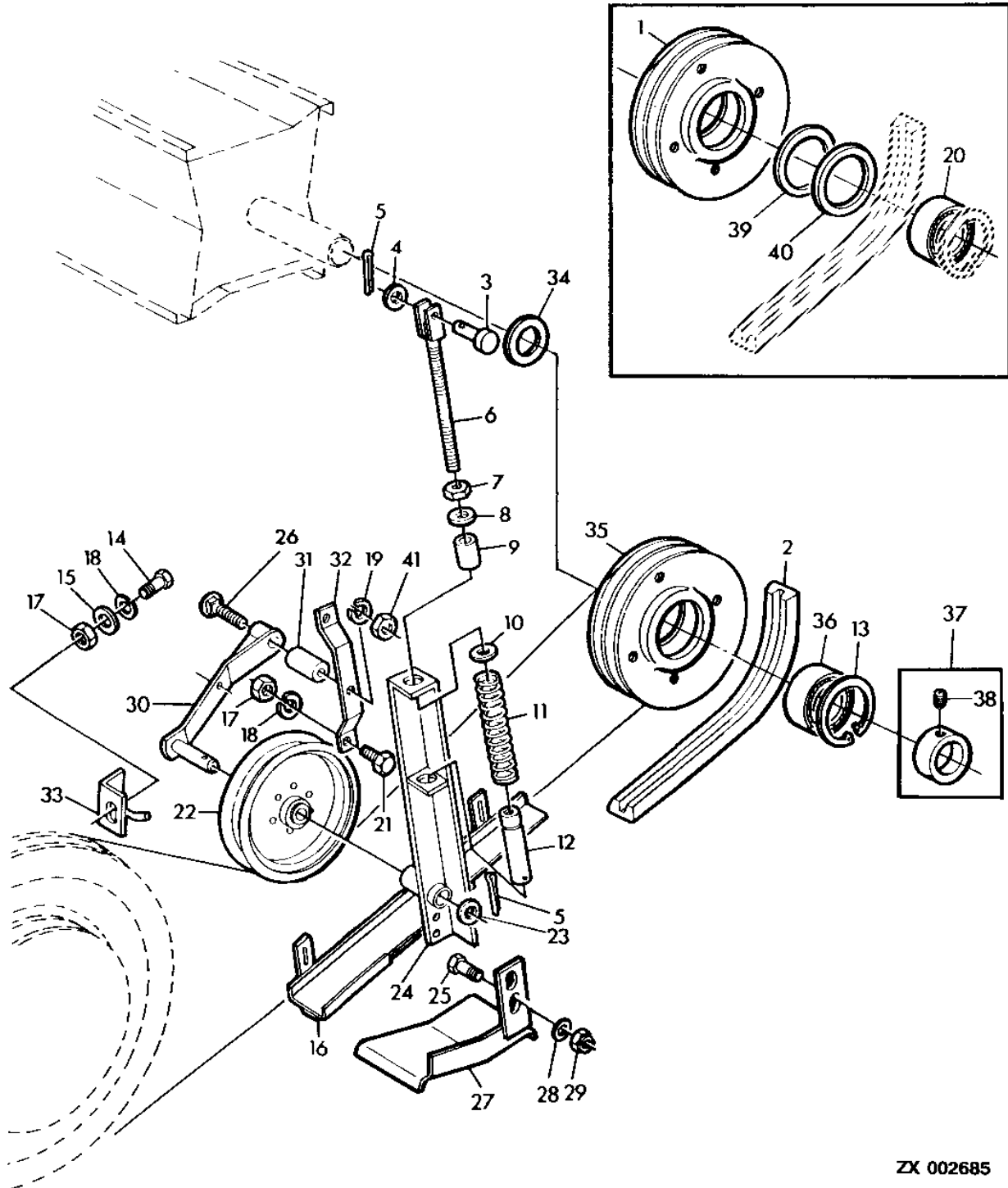
KEY	PART NO.	PART NAME	QTY	SERIAL NO.	4 4 4 3 4 5 3 H 5 Y	REMARKS
1	19M7163	CAP SCREW	1		X X	M8 X 25
2	19M7168	CAP SCREW	4		X X	M10 X 30
3	12M7013	LOCK WASHER	4		X X	10.200 MM
4	Z44818	SPACER	2		X X	
5	Z44813	RETAINER	1		X X	
6	Z44817	BRACE	1		X X	
7	Z44812	GUARD	1		X X	
8	24M7036	WASHER	AR		X X	9 X 16 X 1.600 MM
9	12M7008	LOCK WASHER	AR		X X	8.100 MM
10	19M3128	CAP SCREW	2		X X	M8 X 18
11	14M7029	NUT	AR		X X	M8
12	Z36285	HOLDER	1		X X	
13	19M7139	CAP SCREW	2		X X	M8 X 20
14	Z36287	SHEET	1		X X	
15	L18519	WASHER	2		X X	30 X 11 X 2MM
16	19M7164	CAP SCREW	1		X X	M8 X 50

3G21

FEEDER HOUSE

ZX002685 -UN-01JAN94

FEEDER CONVEYOR DRIVE



ZX 002685

3G22

FEEDER HOUSE

FEEDER CONVEYOR DRIVE - CONTINUED

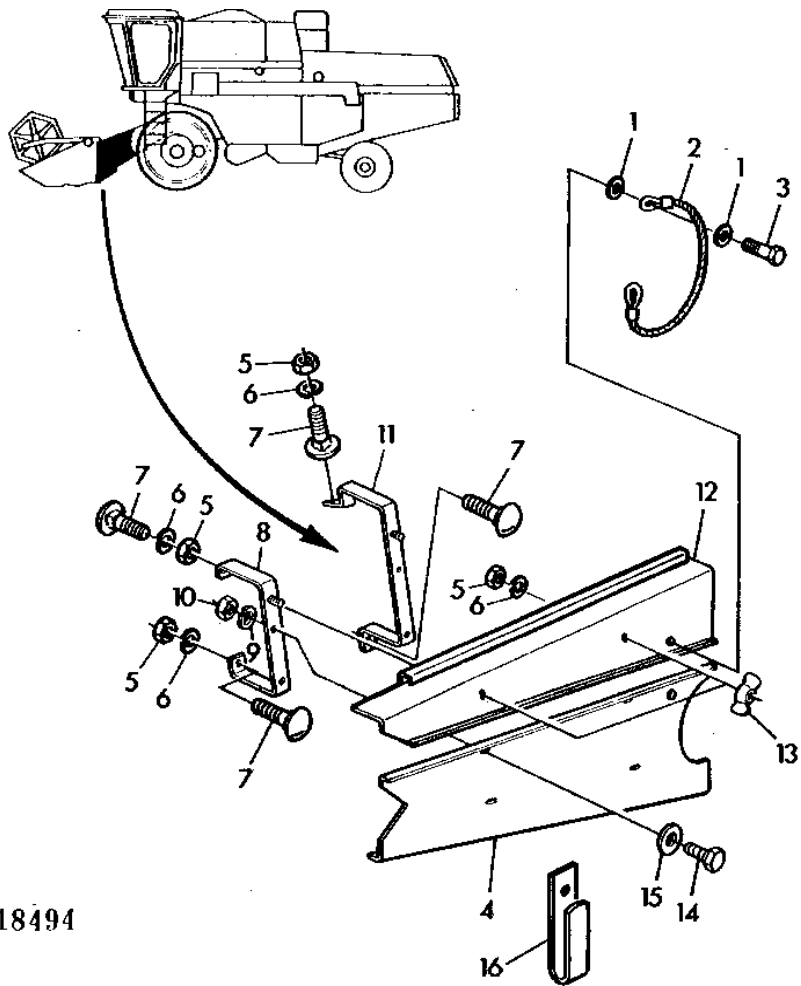
KEY	PART NO.	PART NAME	QTY	SERIAL NO.	4 4 4 3 4 5 3 H 5 Y	REMARKS
1	Z12189	PULLEY	1	-057881	X X	(ORDER Z12513) (ALSO ORDER AZ45591, AZ45594, (3) 24M7168 AND (8) 24M6736)
2	Z38186	BELT	1		X X	3510MM(138.19") LONG
3	Z24489	PIN	1		X X	
4	24M7043	WASHER	1		X X	12 X 25 X 3 MM
5	11M7020	COTTER PIN	1		X X	4 X 22 MM
6	AZ19135	ADJUSTER	1		X X	
7	14M7157	NUT	1		X X	M14
8	24M7112	WASHER	1		X X	15 X 28 X 3 MM
9	Z30552	SPACER	1		X X	
10	L17952	WASHER	1		X X	
11	Z30554	SPRING	1		X X	
12	AZ19136	SLEEVE	1		X X	
13	40M1873	SNAP RING	1		X X	90 X 3MM
14	19M7168	CAP SCREW	AR		X X	M10 X 30
15	24M7040	WASHER	AR		X X	11 X 20 X 2 MM
16	AZ21433	GUIDE	1		X X	
17	14M7140	NUT	AR		X X	M10
18	12M7013	LOCK WASHER	AR		X X	10.200 MM
19	12M7014	LOCK WASHER	1		X X	12.200 MM
20	JD10540	BEARING	1	-057881	X X	(ORDER AZ45591) (ALSO ORDER AZ45594, (3) 24M7168 AND (8) 24M6736)
21	19M7166	CAP SCREW	AR		X X	M10 X 20
22	AZ29185	IDLER	1		X X	
23	24M7053	WASHER	1		X X	17 X 30 X 3 MM
24	AZ29039	SUPPORT	1		X X	
25	19M7163	CAP SCREW	AR		X X	M8 X 25
26	03M7155	BOLT	1		X X	M12 X 75
27	AZ35358	GUIDE	1		X X	
28	24M7265	WASHER	AR		X X	9 X 16 X 1.600 MM
29	14M7166	LOCK NUT	AR		X X	M8
30	AZ29040	LEVER	1		X X	
31	Z39569	BUSHING	1		X X	
32	Z44501	BRACE	1		X X	
33	AZ28363	HOLDER	1		X X	
34	24M4813	WASHER	AR		X X	50 X 62 X 1MM
35	Z12513	SHEAVE	1	057882-	X X	
36	AZ45591	BEARING	1	057882-	X X	
37	AZ45594	ECCENTRIC LOCKING COLLAR	1	057882-	X X	
38	22M7081	SET SCREW	1	057882-	X X	M10 X 10
39	24M7168	SHIM	3	-057881	X X	70 X 90 X 0,3 MM,(FOR Z12189)
40	24M6736	WASHER	8	-057881	X X	70 X 90 X 1 MM, (FOR Z12189)
41	14M7031	NUT	AR		X X	M12

3G23

FEEDER HOUSE

Z118494 -UN-01JAN94

FEEDER HOUSE GUARDS



Z118494

3G24

FEEDER HOUSE

FEEDER HOUSE GUARDS - CONTINUED

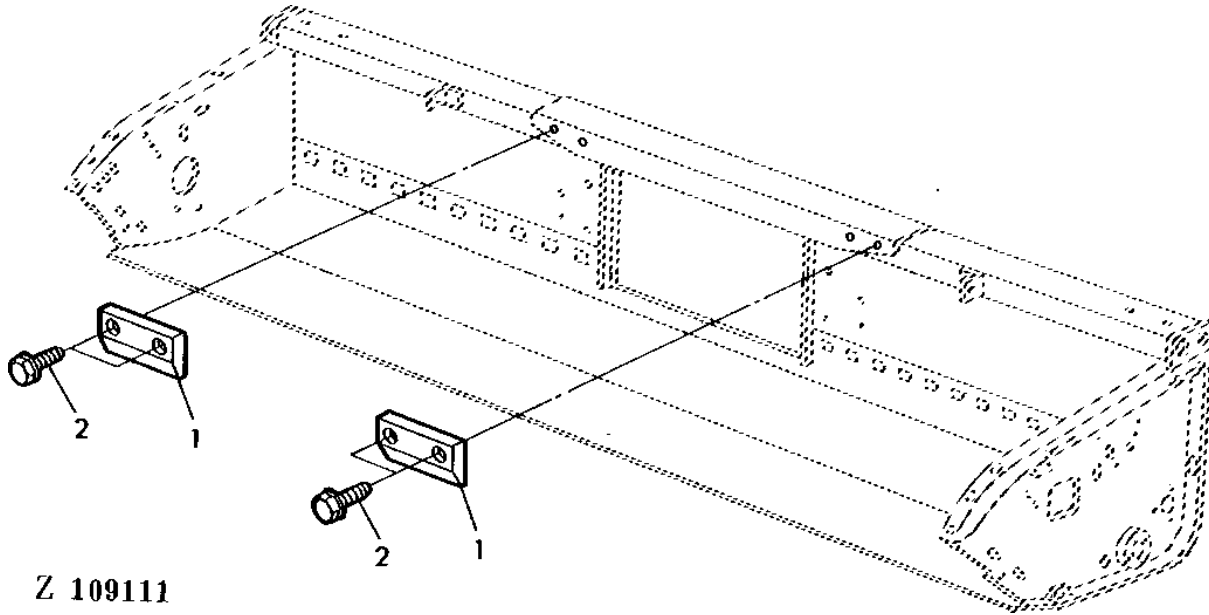
KEY	PART NO.	PART NAME	QTY	SERIAL NO.	4 4 4 3 4 5 3 H 5 Y	REMARKS
1	Z26240	WASHER	4		X X	
2	AZ26782	CABLE	1		X X	
3	19M7139	CAP SCREW	AR		X X	M8 X 20
4	Z35927	GUARD	1		X X	
5	14M7029	NUT	AR		X X	M8
6	12M7008	LOCK WASHER	AR		X X	8.100 MM
7	03M7054	BOLT	AR		X X	M8 X 20
8	AZ35449	HOLDER	1		X X	
9	12M7012	LOCK WASHER	AR		X X	6.100 MM
10	14M7027	NUT	2		X X	M6
11	AZ35450	HOLDER	1		X X	
12	Z43582	GUARD	1		X X	
13	Z20285	WING NUT	AR		X X	
14	19M7159	CAP SCREW	AR		X X	M6 X 15
15	Z26250	WASHER	4		X X	
16	Z44835	HOLDER	1		X X	

3G25

FEEDER HOUSE

Z109111 -UN-01JAN94

PLATFORM ADAPTER PLATES



Z 109111

KEY	PART NO.	PART NAME	QTY	SERIAL NO.	REMARKS
1	Z44852	PLATE	2		
2	Z44853	SCREW, WITH WASHER	4		

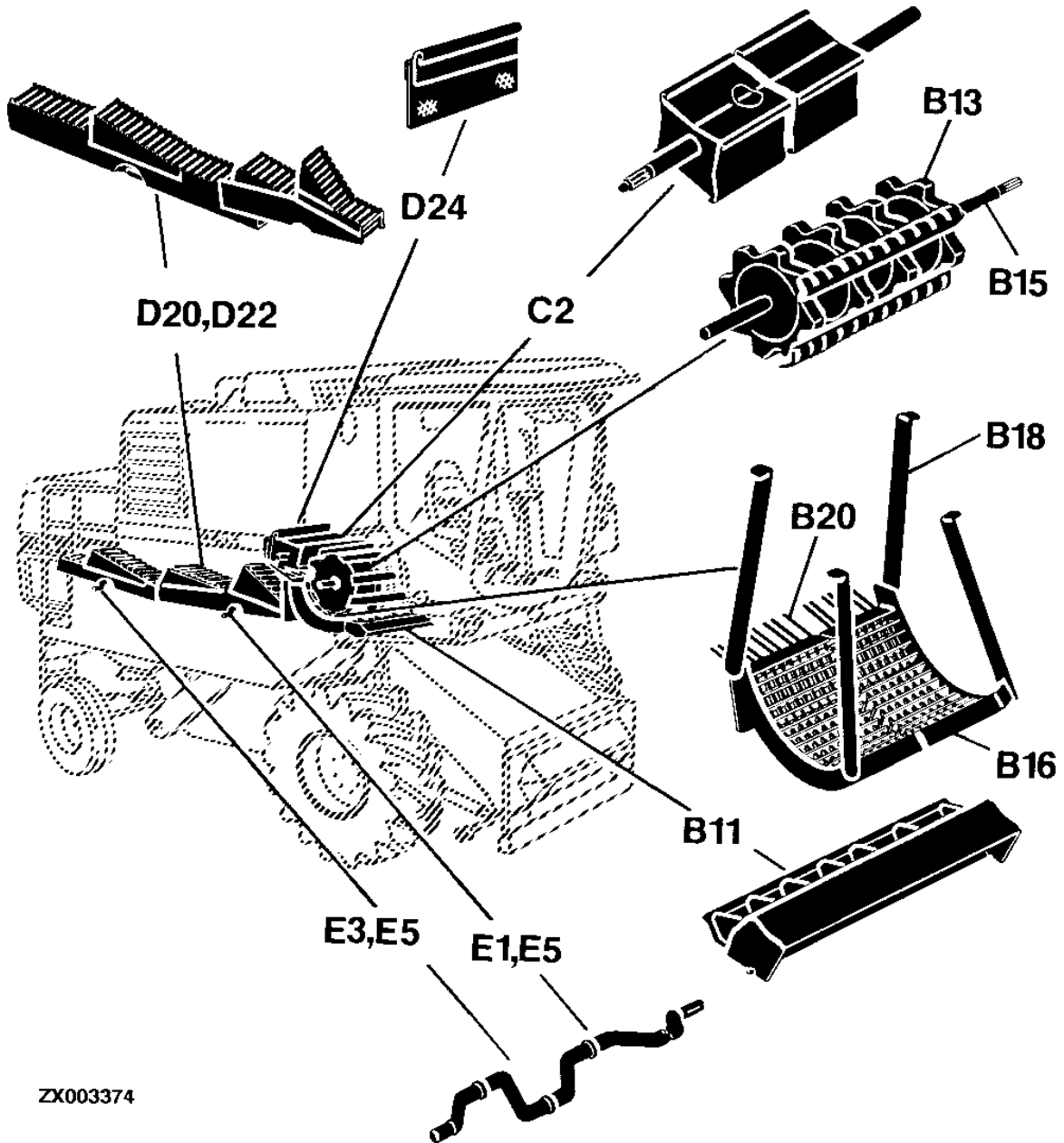
MEMORANDA

4B3

SECTIONAL PICTORIAL INDEX

XX
XX
XX
XX
XX

ZX003374 -UN-02FEB94



ZX003374

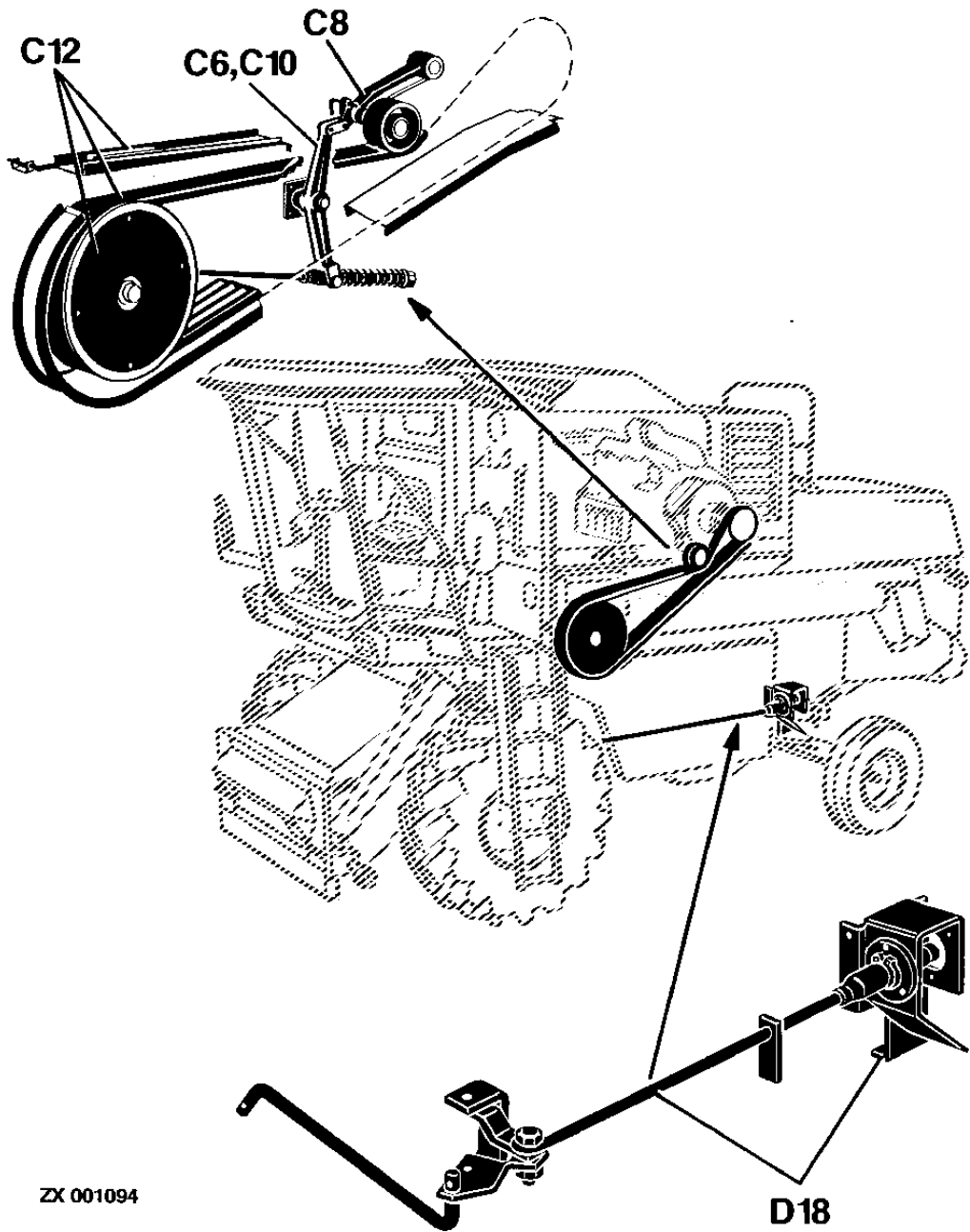
4B6

SEPARATOR

SECTIONAL PICTORIAL INDEX

XX
XX
XX
XX
XX
XX
XX

ZX001094 -UN-02AUG96



ZX 001094

D18

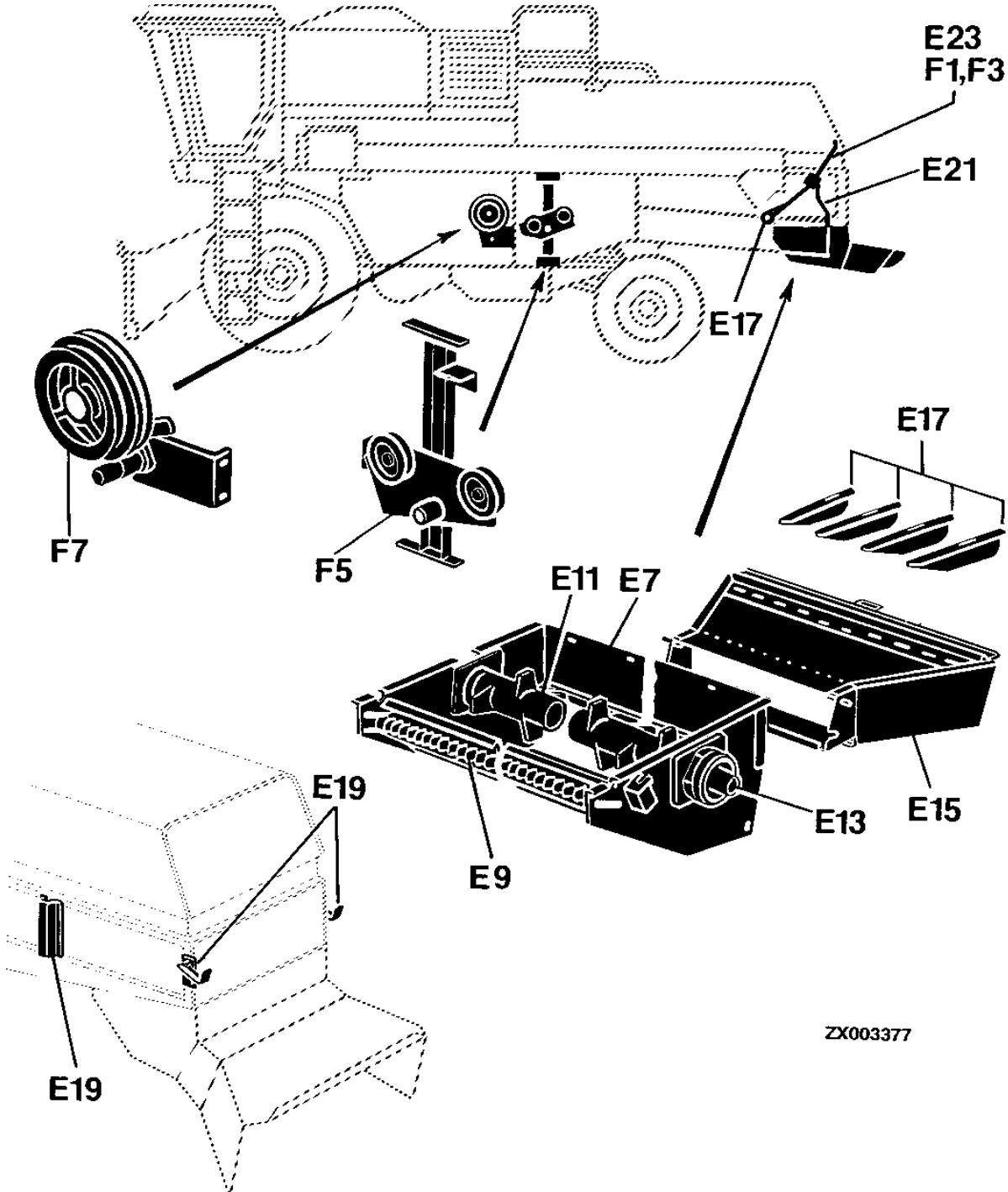
4B7

SEPARATOR

SECTIONAL PICTORIAL INDEX

XX
 XXX
 XXX
 XXX
 XXX

ZX003377 -UN-02FEB94



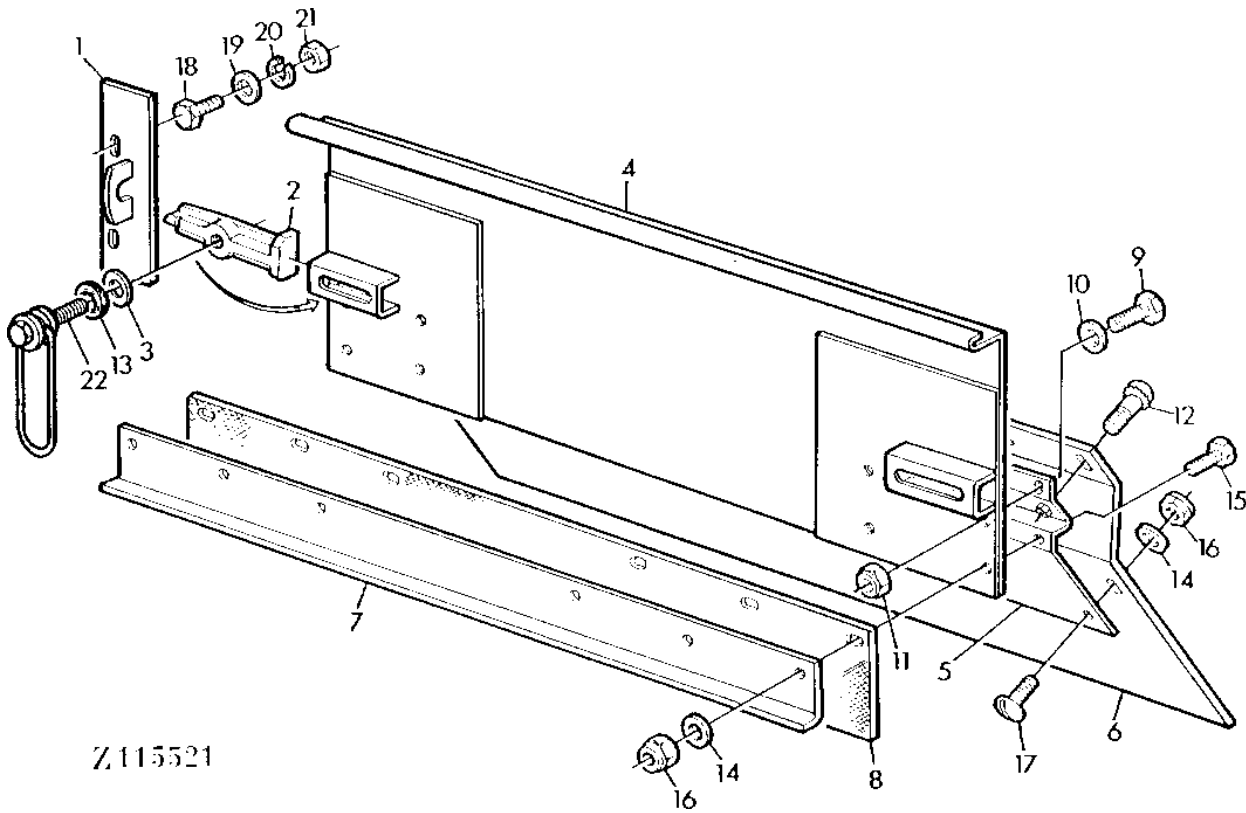
ZX003377

4B9

SEPARATOR

Z115521 -UN-01JAN94

CYLINDER ACCESS DOOR



Z115521

4B10

SEPARATOR

CYLINDER ACCES DOOR - CONTINUED

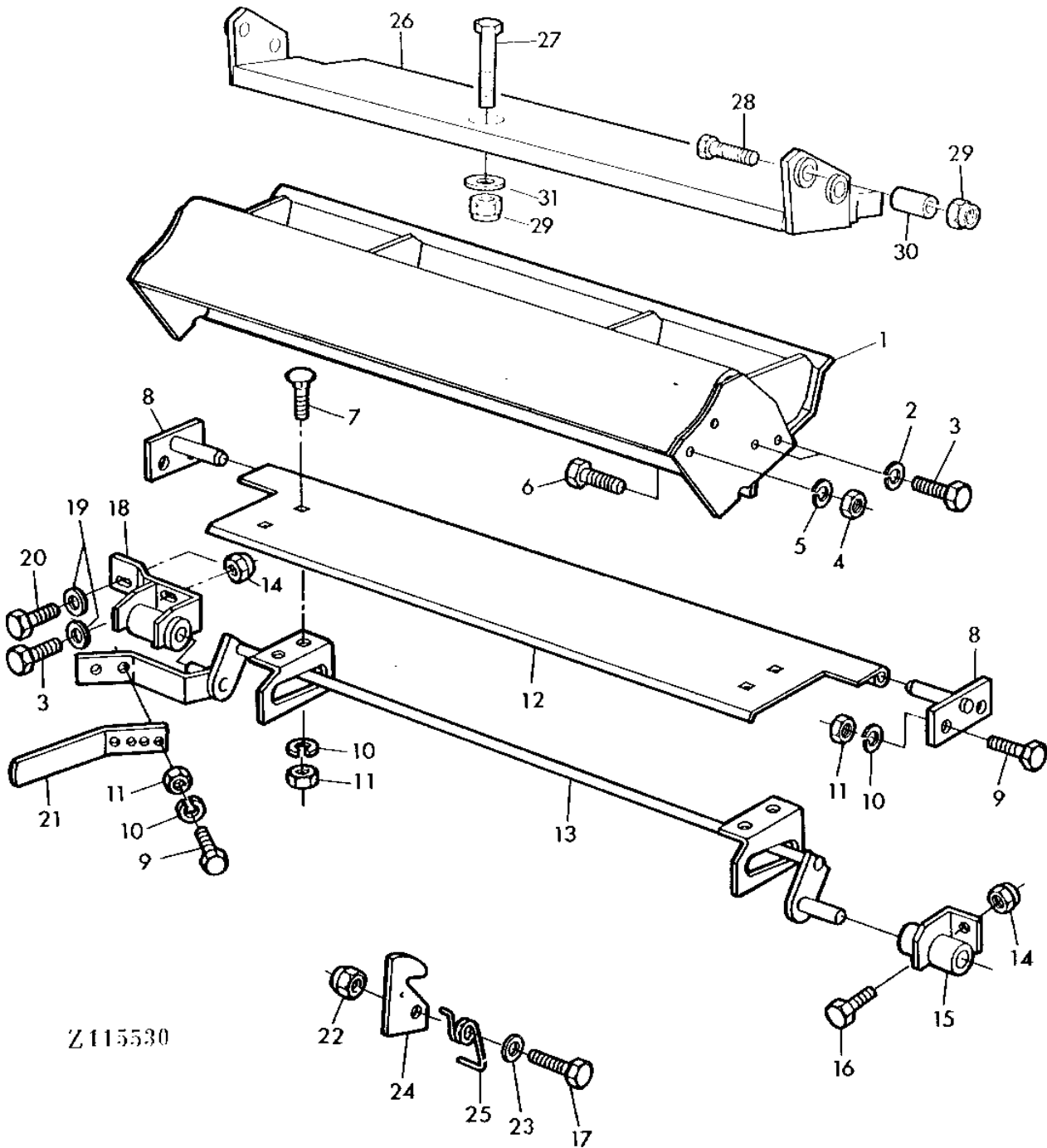
KEY	PART NO.	PART NAME	QTY	SERIAL NO.	4 4 4 3 4 5 3 H 5 Y	REMARKS
1	AZ23756	RETAINER	1		X X	L.H.
	AZ23757	ADJUSTER	1		X X	R.H.
2	Z11852	RETAINER	2		X X	
3	Z21157	WASHER	2		X X	
4	AZ23760	COVER	2		X X	
5	AZ23759	SHEET	1		X X	
6	Z34705	SHEET	1		X X	
7	Z34703	ANGLE	1		X X	
8	Z24275	GASKET	1		X X	(SUB Z53463)
	Z53463	ISOLATOR	1		X X	
9	19M7162	CAP SCREW	AR		X X	M8 X 16
10	24M7036	WASHER	AR		X X	9 X 16 X 1.600 MM
11	14M7166	LOCK NUT	AR		X X	M8
12	Z38459	CAP SCREW	AR		X X	
13	Z35271	BUSHING	2		X X	
14	24M7088	WASHER	AR		X X	6.600 X 12 X 1.600 MM
15	19M7077	CAP SCREW	AR		X X	M6 X 20
16	14M7165	LOCK NUT	AR		X X	M6
17	21M7031	SCREW	AR		X X	M6 X 15
18	19M7167	CAP SCREW	AR		X X	M10 X 25, L.H.
	19M7168	CAP SCREW	AR		X X	M10 X 30, R.H.
19	24M7040	WASHER	AR		X X	11 X 20 X 2 MM
20	12M7013	LOCK WASHER	AR		X X	10.200 MM
21	14M7140	NUT	AR		X X	M10
22	AZ39183	SCREW	1		X X	

4B11

SEPARATOR

Z115530 -UN-01JAN94

STONE TRAP



Z115530

4B12

SEPARATOR

STONE TRAP - CONTINUED

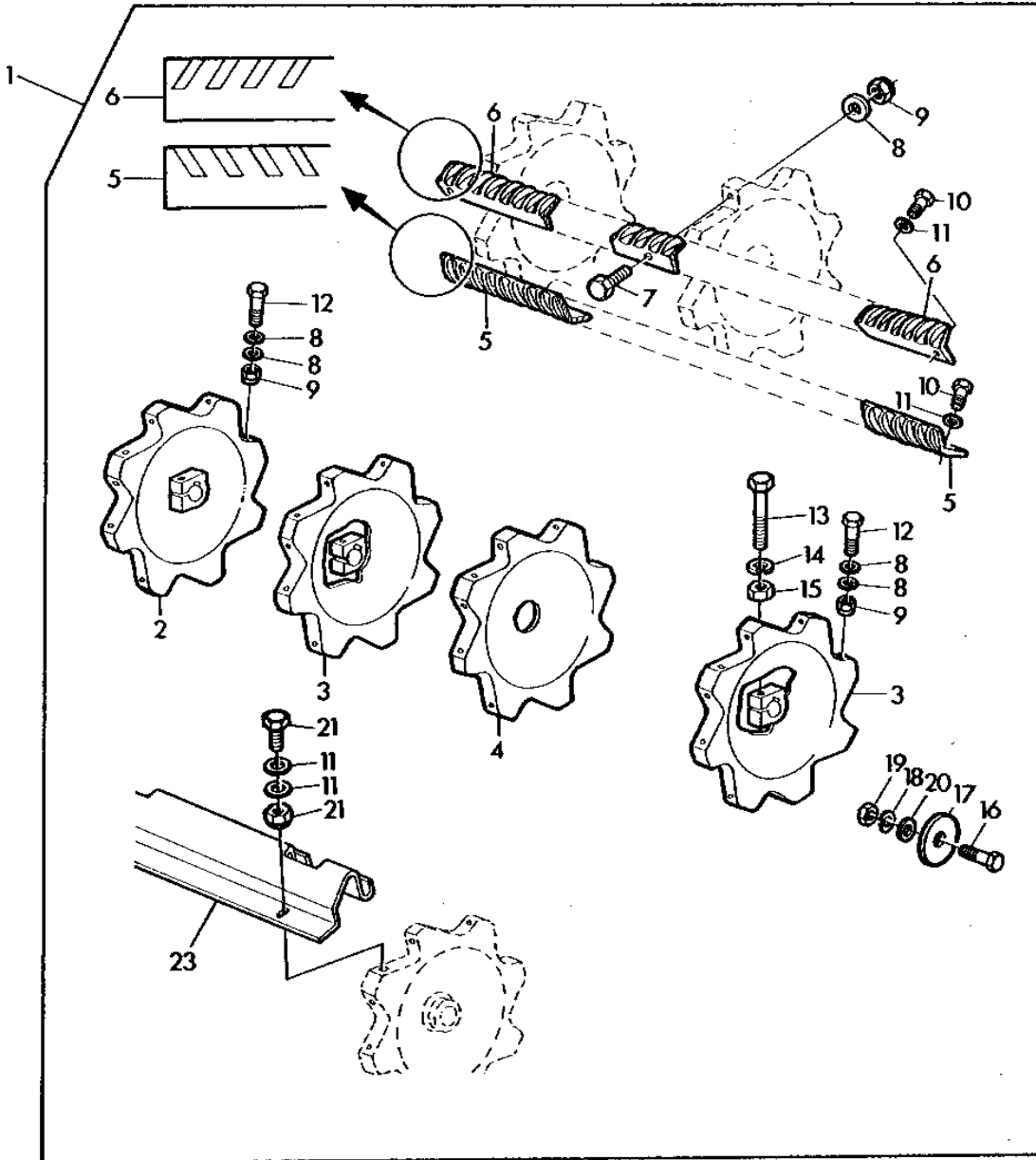
KEY	PART NO.	PART NAME	QTY	SERIAL NO.	4 4 4 3 4 5 3 H 5 Y	REMARKS
1	AZ36018	TROUGH	1		X X	
2	12M7013	LOCK WASHER	AR		X X	10.200 MM
3	19M7168	CAP SCREW	AR		X X	M10 X 30
4	14M7031	NUT	AR		X X	M12
5	12M7014	LOCK WASHER	AR		X X	12.200 MM
6	19M7285	CAP SCREW	AR		X X	M12 X 30
7	03M7135	BOLT	AR		X X	M8 X 25
8	AZ36008	HINGE	2		X X	
9	19M7163	CAP SCREW	AR		X X	M8 X 25
10	12M7008	LOCK WASHER	AR		X X	8.100 MM
11	14M7029	NUT	AR		X X	M8
12	Z45521	FLAP	1		X X	
13	AZ36014	ADJUSTER	1		X X	
14	14M7167	LOCK NUT	AR		X X	M10
15	AZ36007	RETAINER	1		X X	
16	19M7168	CAP SCREW	AR		X X	M10 X 30
17	19M7298	CAP SCREW	AR		X X	M8 X 35
18	AZ36016	QUILL	1		X X	
19	24M7040	WASHER	AR		X X	11 X 20 X 2 MM
20	19M7724	CAP SCREW	AR		X X	M10 X 45
21	Z45995	LEVER	1		X X	
22	14M7166	LOCK NUT	AR		X X	M8
23	24M7036	WASHER	AR		X X	9 X 16 X 1.600 MM
24	Z45492	HOOK	1		X X	
25	Z45493	SPRING	1		X X	
26	AZ23514	COVER	1		X X	
27	19M7331	CAP SCREW	1		X X	M12 X 65
28	19M7330	CAP SCREW	4		X X	M12 X 55
29	14M7168	LOCK NUT	AR		X X	M12
30	Z38274	SPACER	4		X X	
31	24M7047	WASHER	AR		X X	13 X 24 X 2.500 MM

4B13

SEPARATOR

Z114844 -UN-01JAN94

RASP BAR CYLINDER



Z114844

4B14

SEPARATOR

RASP BAR CYLINDER - CONTINUED

KEY	PART NO.	PART NAME	QTY	SERIAL NO.	REMARKS
					4
					4
					4 3
					4 5
					3 H
					5 Y
1	AZ42037	RASP-BAR CYLINDER	1		X X
2	AZ39155	THRESHING CYL HEAD (W/HUB)	1		X X
3	AZ39156	THRESHING CYL HEAD (W/HUB)	2		X X
4	THRESHING CYL HEAD (W/HUB)	1		X X NOT SUPPLIED SEPARATELY, (ORDER AZ39155, 19M7349, 12M7014 AND 14M7031)
5	AZ35323	RASP BAR	AR		X X R.H., PKG. OF (2)
6	AZ35324	RASP BAR	2		X X L.H., PKG. OF (2)
7	19M7285	CAP SCREW	30		X X M12 X 30
8	24M7111	WASHER	34		X X 13 X 25 X 3 MM
9	14M7168	LOCK NUT	AR		X X M12
10	19M8289	CAP SCREW	32		X X M10 X 16
11	24M7040	WASHER	96		X X 11 X 20 X 2 MM
12	19M7171	CAP SCREW	2		X X M12 X 35
13	19M7349	CAP SCREW	3		X X M12 X 95
14	12M7014	LOCK WASHER	AR		X X 12.200 MM
15	14M7031	NUT	AR		X X M12
16	19M7169	CAP SCREW	AR		X X M10 X 35
17	E10079	WASHER	AR		X X
18	12M7013	LOCK WASHER	AR		X X 10.200 MM
19	14M7140	NUT	AR		X X M10
20	24M7101	WASHER	3		X X 11 X 34 X 3 MM
21	19M7167	CAP SCREW	32		X X M10 X 25
22	14M7167	LOCK NUT	32		X X M10
23	AZ42040	BRACE	4		X X PKG. OF (2), (FOR MAIZE)

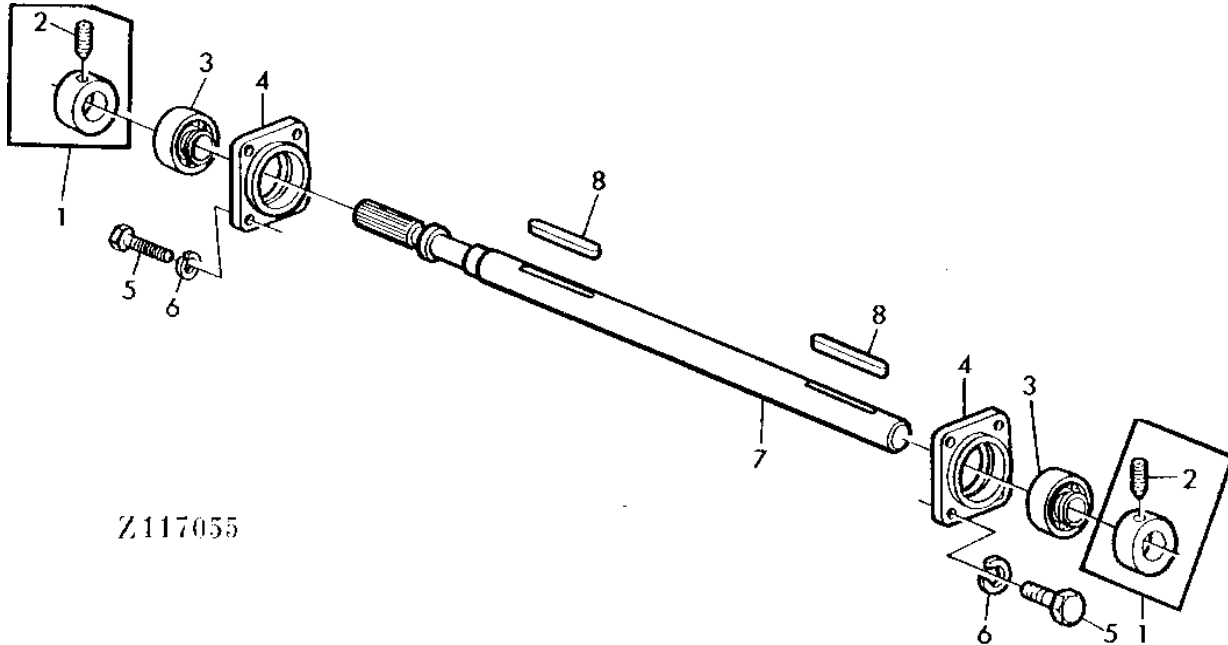
MEMORANDA

4B15

SEPARATOR

Z117055 -UN-01JAN94

RASP BAR CYLINDER SHAFT



Z117055

4
4
4 3
4 5
3 H
5 Y

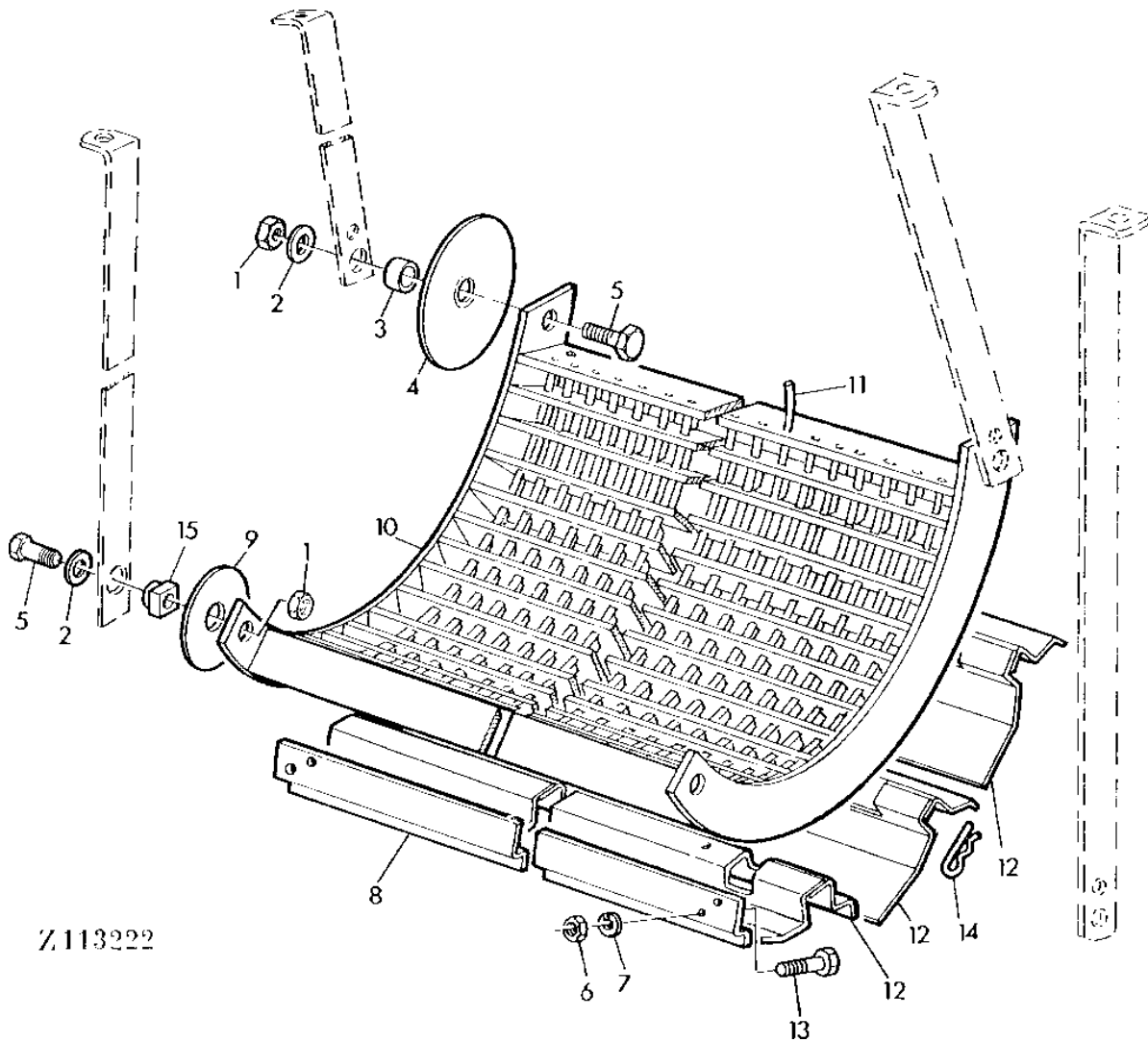
KEY	PART NO.	PART NAME	QTY	SERIAL NO.	REMARKS
1	AZ35559	ECCENTRIC LOCKING COLLAR	2	X X	
2	AZ19845	SET SCREW	2	X X	
3	AZ19432	BALL BEARING	2	X X	(ALSO ORDER AZ35559)
4	Z11331	HOUSING	2	X X	
5	19M7285	CAP SCREW	AR	X X	M12 X 30
6	12M7014	LOCK WASHER	AR	X X	12.200 MM
7	Z44794	SHAFT	1	X X	
8	49M7016	SHAFT KEY	2	X X	12 X 8 X 80 MM

4B16

SEPARATOR

Z113222 -UN-01JAN94

CONCAVE



4B17

SEPARATOR

CONCAVE - CONTINUED

KEY	PART NO.	PART NAME	QTY	SERIAL NO.	4 4 4 3 4 5 3 H 5 Y	REMARKS
1	14M7170	LOCK NUT	4		X X	M16
2	24M7048	WASHER	4		X X	15.500 X 28 X 2.500 MM
3	Z33976	BUSHING	1		X X	
4	Z20084	COVER	2		X X	
5	19M7397	CAP SCREW	4		X X	M16 X 50
6	14M7140	NUT	AR		X X	M10
7	12M7013	LOCK WASHER	AR		X X	10.200 MM
8	Z43472	RETAINER	1		X X	
9	Z44810	COVER	2		X X	
10	AZ35456	CONCAVE	1		X X	
11	Z25894	WIRE	36		X X	
12	AZ34048	SHEET	AR		X X	(INCL. KEY 14)
13	19M7380	CAP SCREW	AR		X X	M10 X 22
14	L18955	QUICK LOCK PIN	AR		X X	
15	Z44809	GUIDE	2		X X	

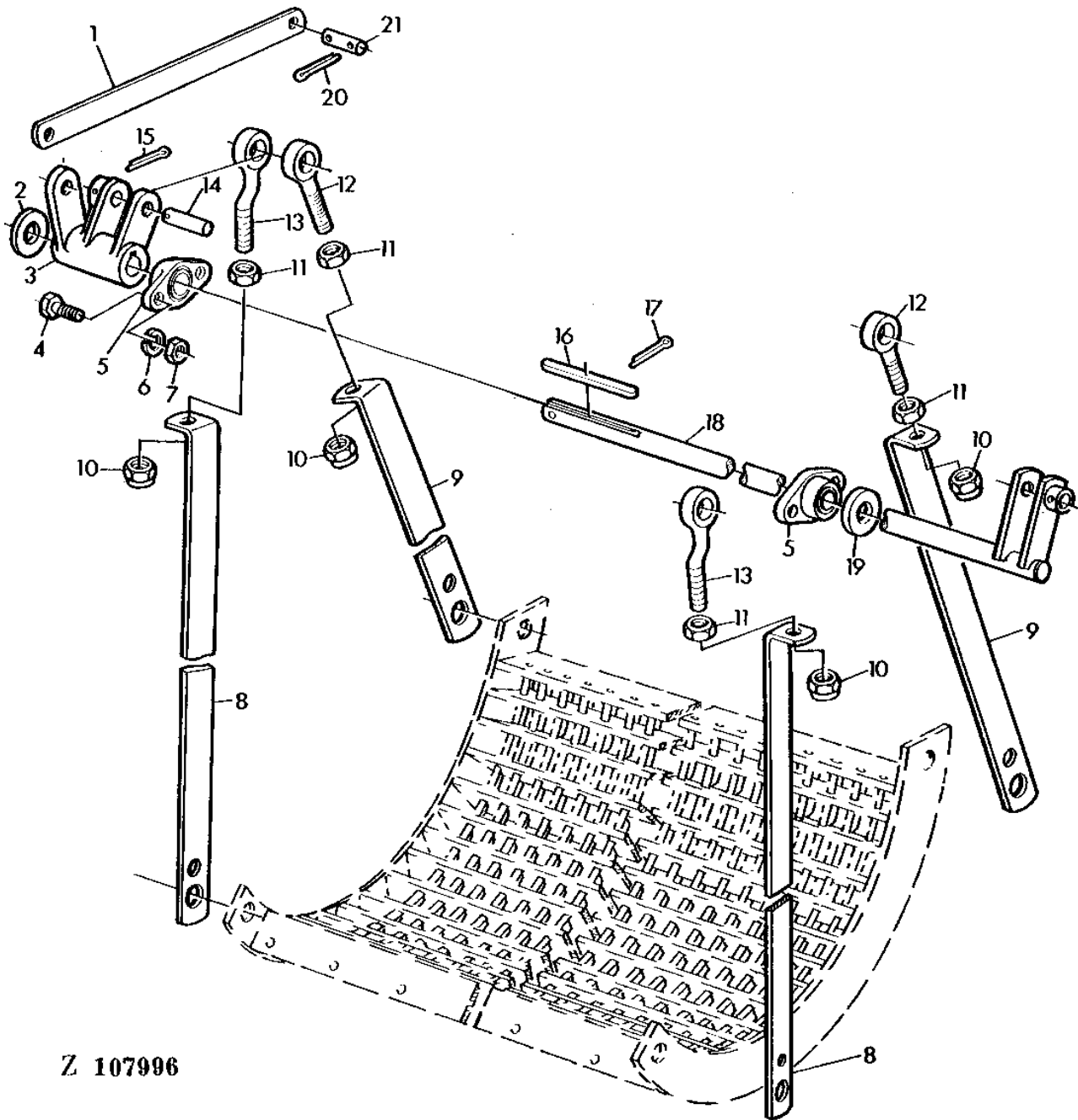
4B18

SEPARATOR

Z107996

-UN-01JAN94

CONCAVE - SUSPENSION



Z 107996

4B19

SEPARATOR

CONCAVE - SUSPENSION - CONTINUED

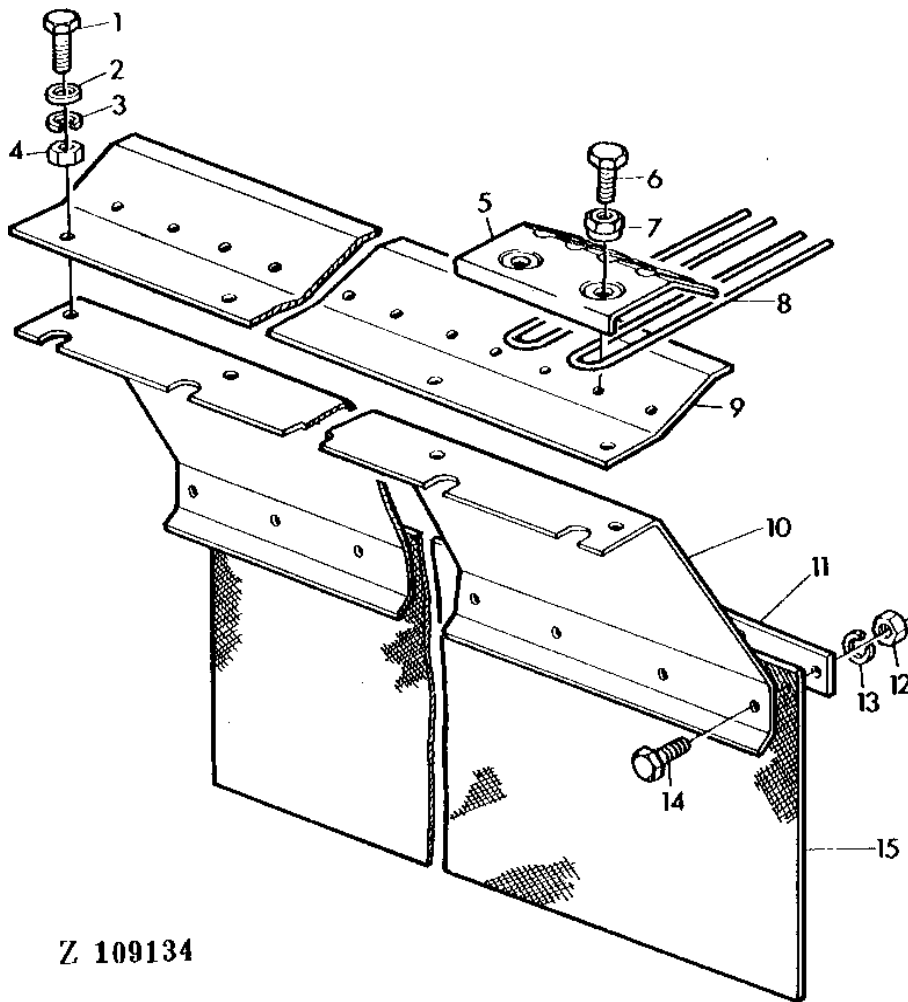
KEY	PART NO.	PART NAME	QTY	SERIAL NO.	REMARKS
					4
					4
					4 3
					4 5
					3 H
					5 Y
1	Z36726	STRAP	1		X X
2	24M7115	WASHER	1		X X 29 X 42 X 5 MM
3	Z11100	LEVER	1		X X
4	19M7163	CAP SCREW	AR		X X M8 X 25
5	Z10994	BEARING	2		X X
6	12M7008	LOCK WASHER	AR		X X 8.100 MM
7	14M7029	NUT	AR		X X M8
8	Z36728	BRACE	2		X X
9	Z36729	BRACE	2		X X
10	14M7170	LOCK NUT	4		X X M16
11	14M7260	NUT	4		X X M16
12	Z36731	EYEBOLT	2		X X
13	Z36730	EYEBOLT	2		X X
14	Z36727	PIN	2		X X
15	11M7023	COTTER PIN	2		X X 4 X 32 MM
16	49M4113	SHAFT KEY	1		X X 8 X 7 X 80 MM
17	11M7039	COTTER PIN	1		X X 6.300 X 45 MM
18	AZ25679	SHAFT	1		X X
19	Z33977	WASHER	1		X X
20	11M7020	COTTER PIN	2		X X 4 X 22 MM
21	Z24489	PIN	2		X X

4B20

SEPARATOR

Z109134 -UN-01JAN94

FINGER GRATE



Z 109134

4B21

SEPARATOR

FINGER GRATE - CONTINUED

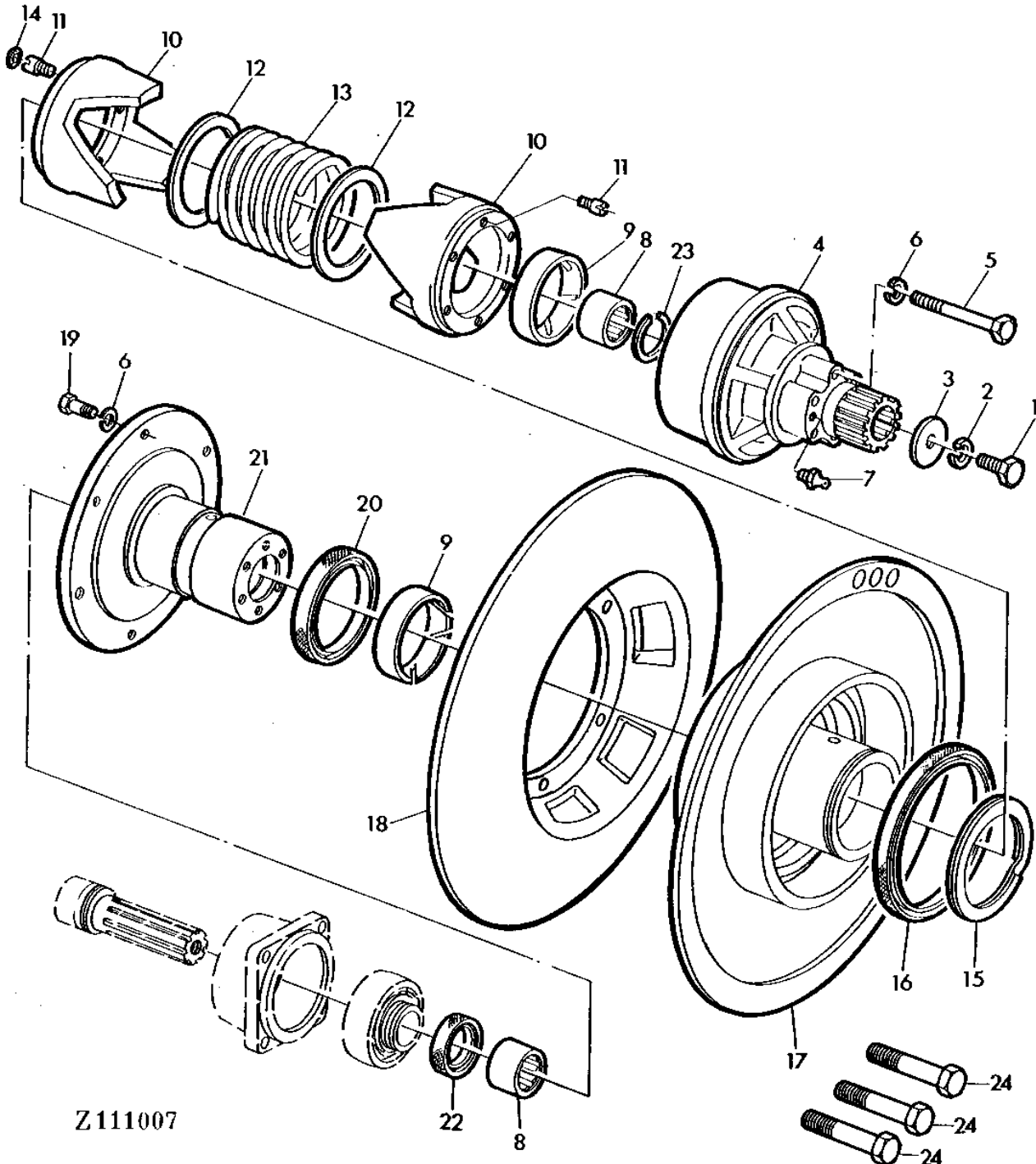
KEY	PART NO.	PART NAME	QTY	SERIAL NO.	4 4 4 3 4 5 3 H 5 Y	REMARKS
1	19M7169	CAP SCREW	AR		X X	M10 X 35
2	24M7178	WASHER	6		X X	10.500 X 30 X 2.500 MM
3	12M7013	LOCK WASHER	AR		X X	10.200 MM
4	14M7140	NUT	AR		X X	M10
5	Z29341	RETAINER	8		X X	
6	19M7139	CAP SCREW	AR		X X	M8 X 20
7	14M7166	LOCK NUT	AR		X X	M8
8	Z31009	TINE	16		X X	
9	Z29408	SHEET	1		X X	
10	Z35181	SHEET	1		X X	
11	Z20058	STRAP	1		X X	
12	14M7027	NUT	AR		X X	M6
13	12M7012	LOCK WASHER	AR		X X	6.100 MM
14	19M7159	CAP SCREW	AR		X X	M6 X 15
15	Z35497	LIMIT CURTAIN	1		X X	

4B22

SEPARATOR

Z111007 -UN-01JAN94

POSI TORQ VARIABLE CYLINDER SHEAVES



Z111007

4B23

SEPARATOR

POSI TORQ VARIABLE CYLINDER SHEAVES - CONTINUED

KEY	PART NO.	PART NAME	QTY	SERIAL NO.	4 4 4 3 4 5 3 H 5 Y	REMARKS
1	19M7167	CAP SCREW	1		X X	M10 X 25
2	12M7013	LOCK WASHER	AR		X X	10.200 MM
3	Z44219	WASHER	1		X X	
4	Z11580	HUB	1		X X	
5	19M7185	CAP SCREW	6		X X	M8 X 60
6	12M7008	LOCK WASHER	AR		X X	8.100 MM
7	58M7004	LUBRICATION FITTING	1		X X	M6 X 1
8	AH86809	NEEDLE BEARING	2		X X	
9	Z51605	BUSHING	2		X X	
10	Z44937	DRIVER	2		X X	
11	22M7093	SET SCREW	12		X X	M10 X 20
12	Z37511	WASHER	2		X X	
13	Z44935	COMPRESSION SPRING	1		X X	
14	30M7003	PLUG	6		X X	12 MM
15	Z41813	SNAP RING	1		X X	
16	AZ34433	SEAL	1		X X	
17	Z11583	HALF SHEAVE	1		X X	
18	Z11582	HALF SHEAVE	1		X X	
19	19M7163	CAP SCREW	6		X X	M8 X 25
20	AZ26413	SEAL	1		X X	
21	Z11581	HUB	1		X X	
22	AN70684	SEAL	1		X X	
23	Z38133	SNAP RING	1		X X	
24	19M7736	CAP SCREW	3		X X	M12 X 130 (FOR BELT CHANGED REPLACEMENT ONLY)

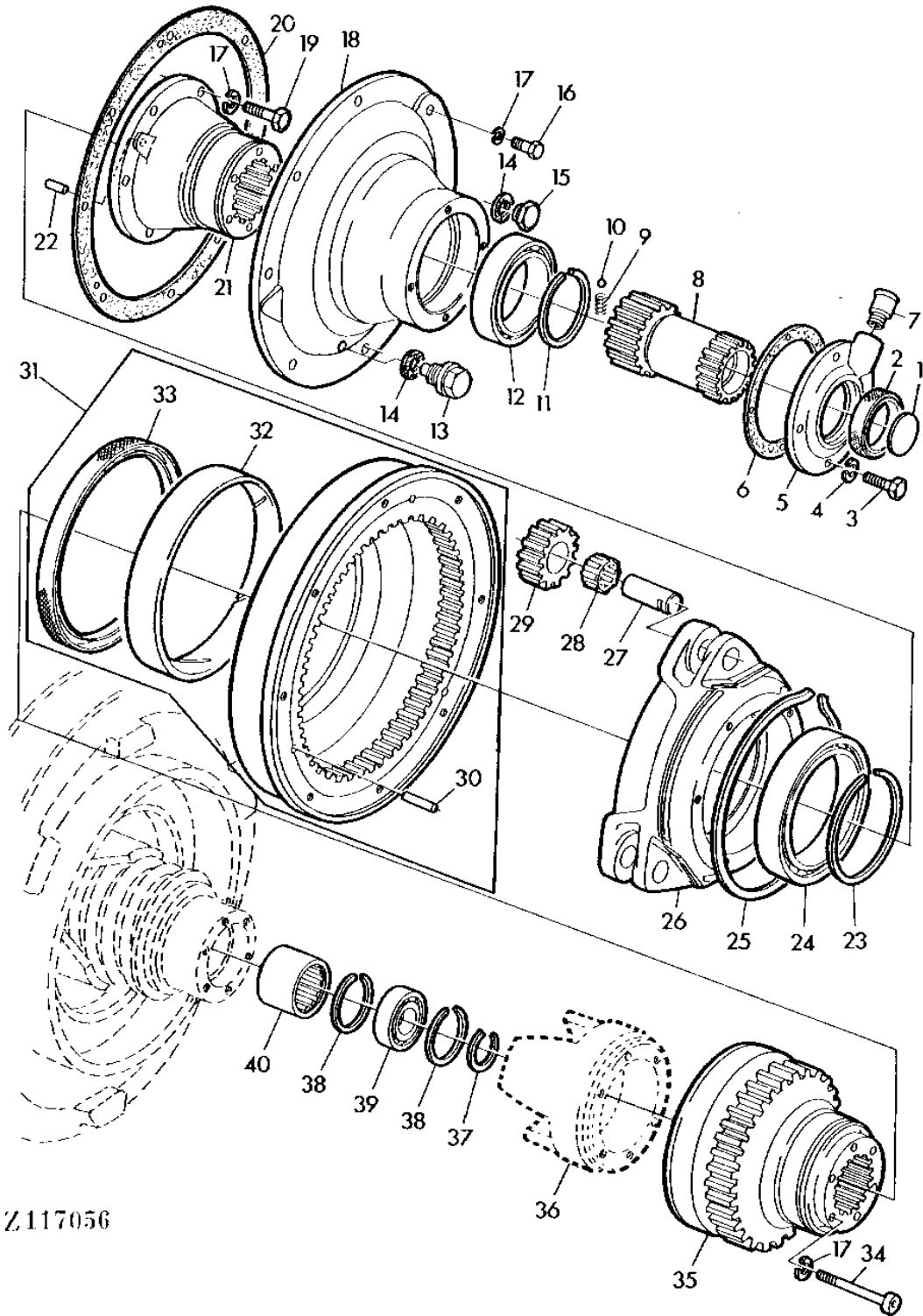
4B24

SEPARATOR

Z117056

-UN-01JAN94

REDUCTION TRANSMISSION FOR VARIABLE CYLINDER SHEAVES



Z117056

4B25

SEPARATOR

REDUCTION TRANSMISSION FOR VARIABLE CYLINDER SHEAVES - CONTINUED

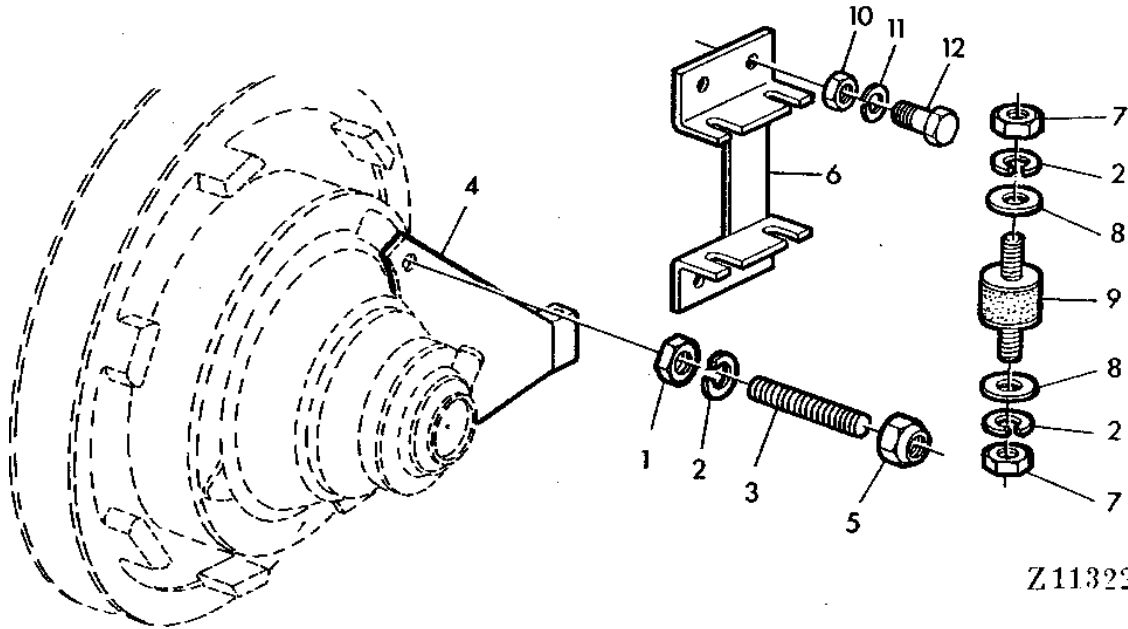
KEY	PART NO.	PART NAME	QTY	SERIAL NO.	4 4 4 3 4 5 3 H 5 Y	REMARKS
1	30M7018	PLUG	1		X X	46 MM
2	AZ40355	SEAL	1		X X	
3	19M7286	CAP SCREW	AR		X X	M6 X 25
4	12M7012	LOCK WASHER	AR		X X	6.100 MM
5	Z12156	COVER	1		X X	
6	Z37522	GASKET	1		X X	
7	AH20868	BREATHER	1		X X	
8	Z44982	SHIFT COLLAR	1		X X	
9	Z37524	COMPRESSION SPRING	1		X X	
10	T24652	BALL	1		X X	
11	Z37521	SNAP RING	1		X X	
12	JD33012	BALL BEARING	1		X X	
13	AZ35783	PIPE PLUG	1		X X	
14	51M4234	RING	2		X X	12 X 16 X 1,5MM
15	15M7024	DRAIN PLUG	1		X X	M12 X 1,5
16	19M7376	CAP SCREW	AR		X X	M8 X 22
17	12M7008	LOCK WASHER	AR		X X	8.100 MM
18	Z11134	HUB	1		X X	
19	19M7513	CAP SCREW	AR		X X	M8 X 30
20	Z37520	GASKET	1		X X	
21	Z11355	HUB	1		X X	
22	Z24581	PIN	2		X X	
23	Z37519	SNAP RING	1		X X	
24	JD33015	BALL BEARING	1		X X	
25	Z42607	SNAP RING	1		X X	
26	Z11132	HOUSING	1		X X	
27	Z44981	SHAFT	3		X X	
28	JD39053	NEEDLE BEARING	3		X X	
29	Z37517	PINION	3		X X	
30	44M1135	DOWEL PIN	3		X X	6 X 16MM
31	AZ35541	BARREL	1		X X	
32	Z51604	BUSHING	1		X X	
33	AZ37367	SEAL	1		X X	
34	19M7508	SCREW	6		X X	M8 X 60
35	Z44983	SUN GEAR	1		X X	
36	DRIVER	2		X X	(ORDER Z44937)
37	Z39136	SNAP RING	1		X X	
38	Z38133	SNAP RING	2		X X	
39	JD10046	BALL BEARING	1		X X	
40	AH86809	NEEDLE BEARING	2		X X	

4C1

SEPARATOR

Z113221 -UN-01JAN94

VARIABLE CYLINDER SUSPENSION



Z113221

KEY	PART NO.	PART NAME	QTY	SERIAL NO.	REMARKS
				4	
				4	
				4 3	
				4 5	
				3 H	
				5 Y	
1	14M7151	NUT	AR	X X	M8
2	12M7008	LOCK WASHER	AR	X X	8.100 MM
3	Z37478	STUD	3	X X	
4	AZ27268	HOLDER	1	X X	
5	14M7166	LOCK NUT	AR	X X	M8
6	AZ39199	SUPPORT	1	X X	
7	14M7029	NUT	AR	X X	M8
8	24M7036	WASHER	AR	X X	9 X 16 X 1.600 MM
9	AZ27269	BUMPER	2	X X	
10	14M7140	NUT	AR	X X	M10
11	12M7013	LOCK WASHER	AR	X X	10.200 MM
12	19M7167	CAP SCREW	AR	X X	M10 X 25

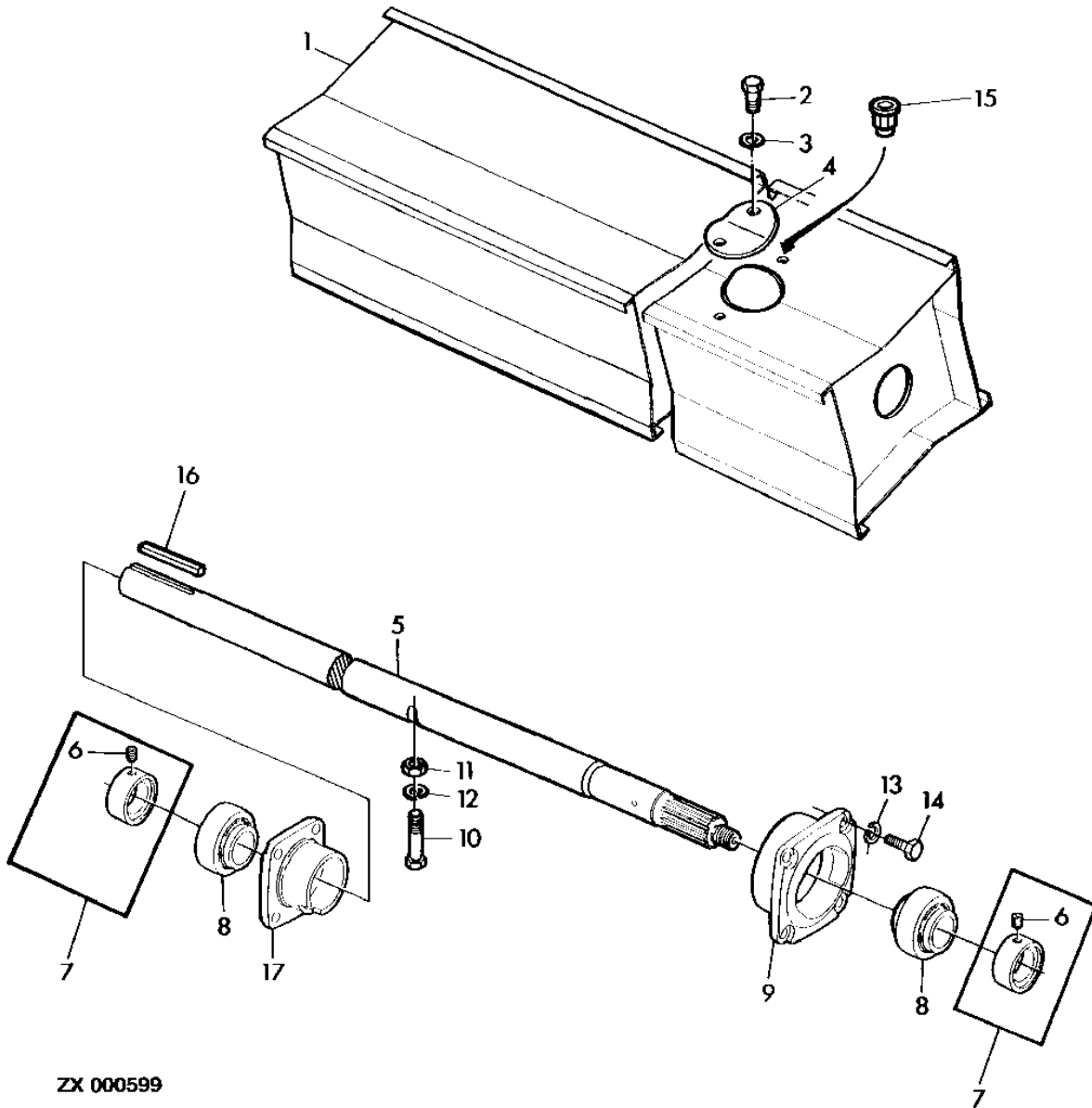
MEMORANDA

4C2

SEPARATOR

ZX000599 -UN-11JUL96

BEATER



4C3

SEPARATOR

BEATER - CONTINUED

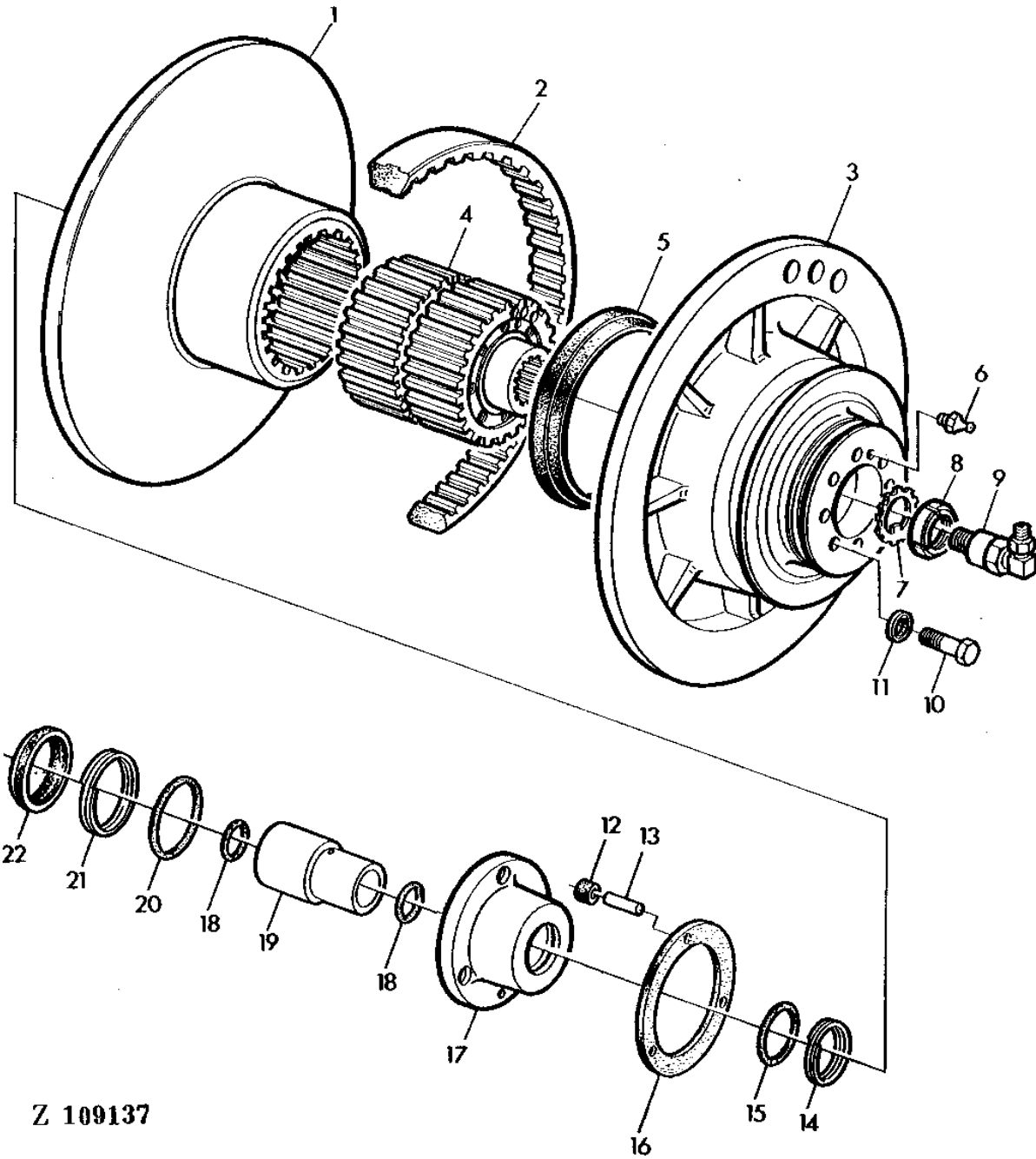
KEY	PART NO.	PART NAME	QTY	SERIAL NO.	4 4 4 3 4 5 3 H 5 Y	REMARKS
1	AZ34393	BEATER	1		X X	INCL.KEYS 2-4,10-12
2	19M7297	CAP SCREW	AR		X X	M8 X 12
3	12M7008	LOCK WASHER	AR		X X	8.100 MM
4	Z30879	COVER	1		X X	
5	Z53035	SHAFT	1		X X	
6	AZ19845	SET SCREW	2		X X	
7	AZ35559	ECCENTRIC LOCKING COLLAR	2		X X	
8	AZ19432	BALL BEARING	2		X X	
9	Z11278	CASE	1		X X	
10	19M7495	CAP SCREW	1		X X	M16 X 100
11	14M7142	NUT	1		X X	M16
12	12M7017	LOCK WASHER	1		X X	16.200 MM
13	12M7014	LOCK WASHER	8		X X	12.200 MM
14	19M7285	CAP SCREW	8		X X	M12 X 30
15	Z51801	NUT	2		X X	
16	49M7018	SHAFT KEY	1		X X	
17	Z11331	HOUSING	1		X X	

4C4

SEPARATOR

Z109137 -UN-01JAN94

VARIABLE DRIVE WITH CENTER OIL SUPPLY FOR BEATER



Z 109137

4C5

SEPARATOR

VARIABLE DRIVE WITH CENTER OIL SUPPLY FOR BEATER - CONTINUED

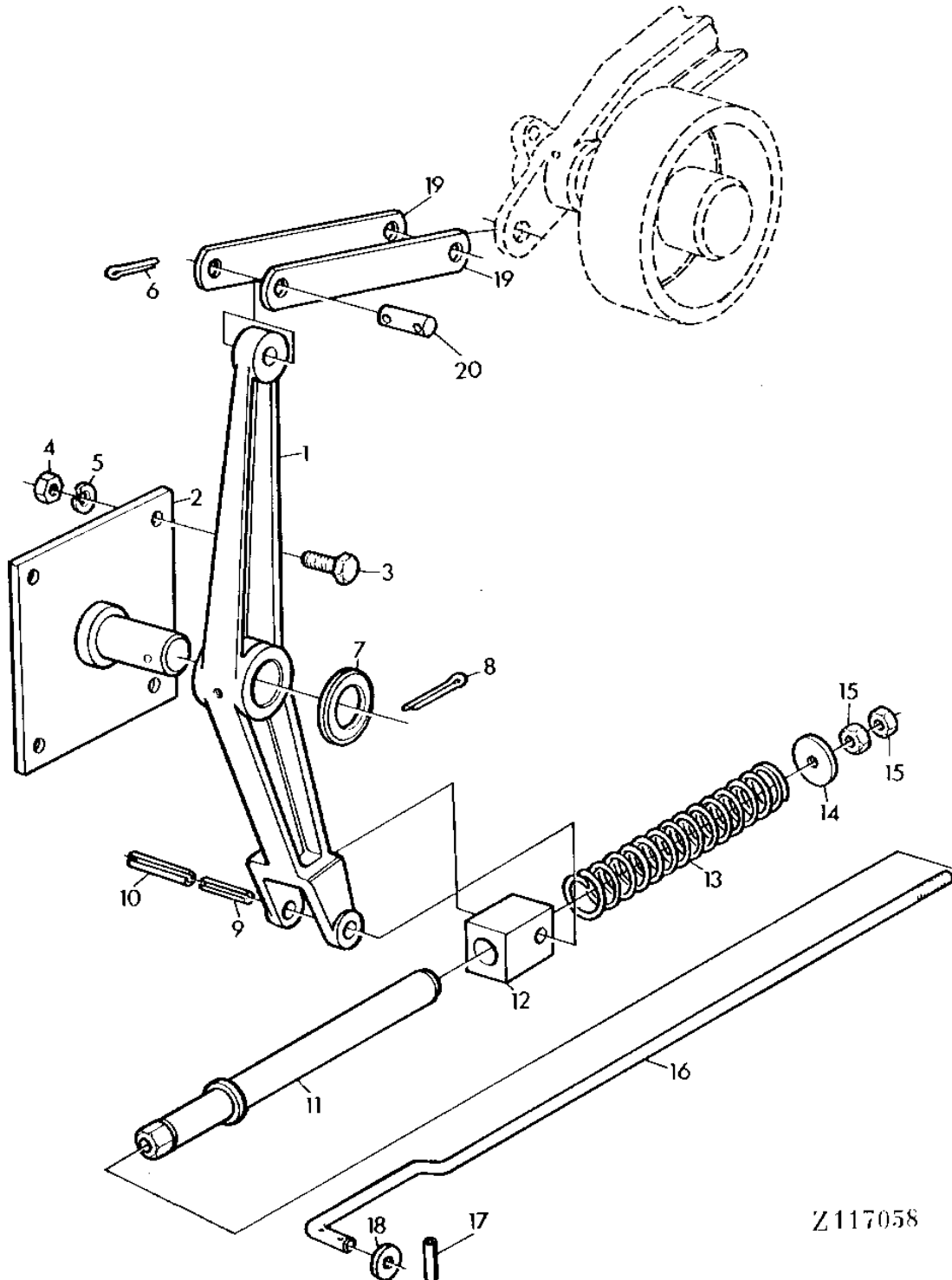
KEY	PART NO.	PART NAME	QTY	SERIAL NO.	REMARKS
				4	
				4	
				4 3	
				4 5	
				3 H	
				5 Y	
1	Z11573	HALF SHEAVE	1	X X	
2	Z44936	BELT	1	X X	
3	Z11664	HALF SHEAVE	1	X X	
4	Z11571	HUB	1	X X	
5	Z44823	SEALING TRIM	1	X X	
6	58M5577	LUBRICATION FITTING	1	X X	M8 X 1
7	Z42023	LOCK PLATE	1	X X	
8	Z42024	NUT	1	X X	
9	AZ31666	ELBOW FITTING	1	X X	
10	19M7214	CAP SCREW	8	X X	M12 X 70
11	Z44832	GASKET	8	X X	
12	Z42026	BUSHING	3	X X	
13	44M7068	DOWEL PIN	3	X X	12 X 36MM
14	Z42029	BACK-UP RING	1	X X	
15	Z44829	O-RING	1	X X	
16	Z44824	RING	1	X X	
17	Z11572	FLANGE	1	X X	
18	Z42027	O-RING	2	X X	
19	Z44827	HUB	1	X X	
20	Z44828	O-RING	1	X X	
21	Z42032	BACK-UP RING	1	X X	
22	Z42031	SEAL	1	X X	

4C6

SEPARATOR

Z117058 -UN-01JAN94

SEPARATOR DRIVE IDLER ARM



Z117058

4C7

SEPARATOR

SEPARATOR DRIVE IDLER ARM - CONTINUED

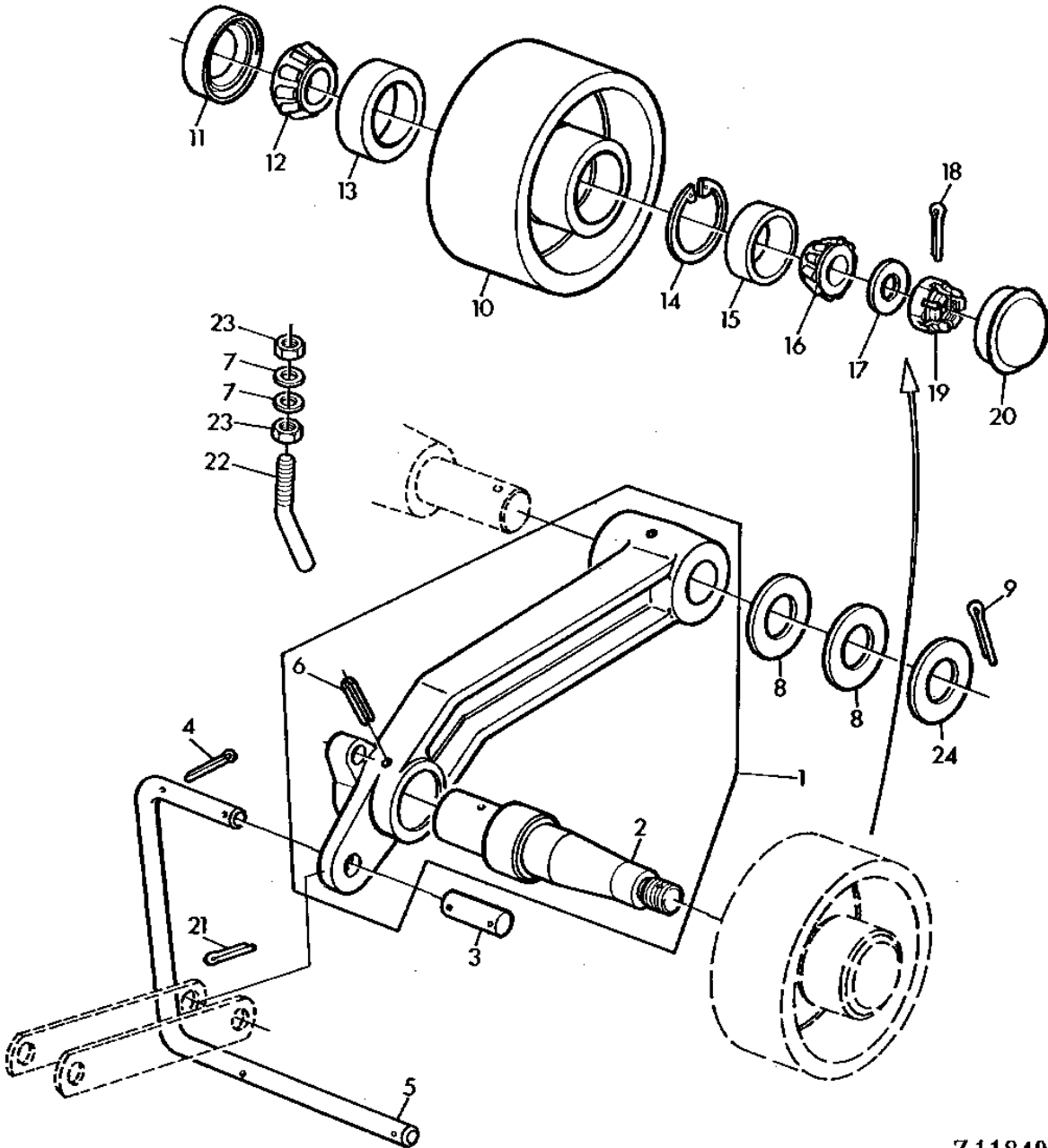
KEY	PART NO.	PART NAME	QTY	SERIAL NO.	REMARKS
					4
					4
					4 3
					4 5
					3 H
					5 Y
1	Z11653	LEVER	1		X X
2	AZ23408	BRACKET	1		X X
3	19M7163	CAP SCREW	AR		X X M8 X 25
4	14M7029	NUT	AR		X X M8
5	12M7008	LOCK WASHER	AR		X X 8.100 MM
6	11M7019	COTTER PIN	2		X X 4 X 18 MM
7	L18453	WASHER	4		X X
8	11M7022	COTTER PIN	1		X X
9	34M7030	SPRING PIN	2		X X 5 X 20 MM
10	34M7061	SPRING PIN	2		X X 8 X 20 MM
11	AZ19814	SLEEVE	1		X X
12	Z22110	GUIDE	1		X X
13	Z22116	SPRING	1		X X
14	24M7102	WASHER	1		X X 13.500 X 44 X 4 MM
15	14M7031	NUT	2		X X M12
16	Z34435	ROD	1		X X
17	34M7098	SPRING PIN	2		X X 4 X 26 MM
18	24M7038	WASHER	1		X X 13.500 X 24 X 2.500 MM
19	Z34431	PLATE	2		X X
20	44M7028	PIN	1		X X 12 X 50 MM

4C8

SEPARATOR

Z118495 -UN-01JAN94

SEPARATOR DRIVE IDLER



Z118495

4C9

SEPARATOR

SEPARATOR DRIVE IDLER - CONTINUED

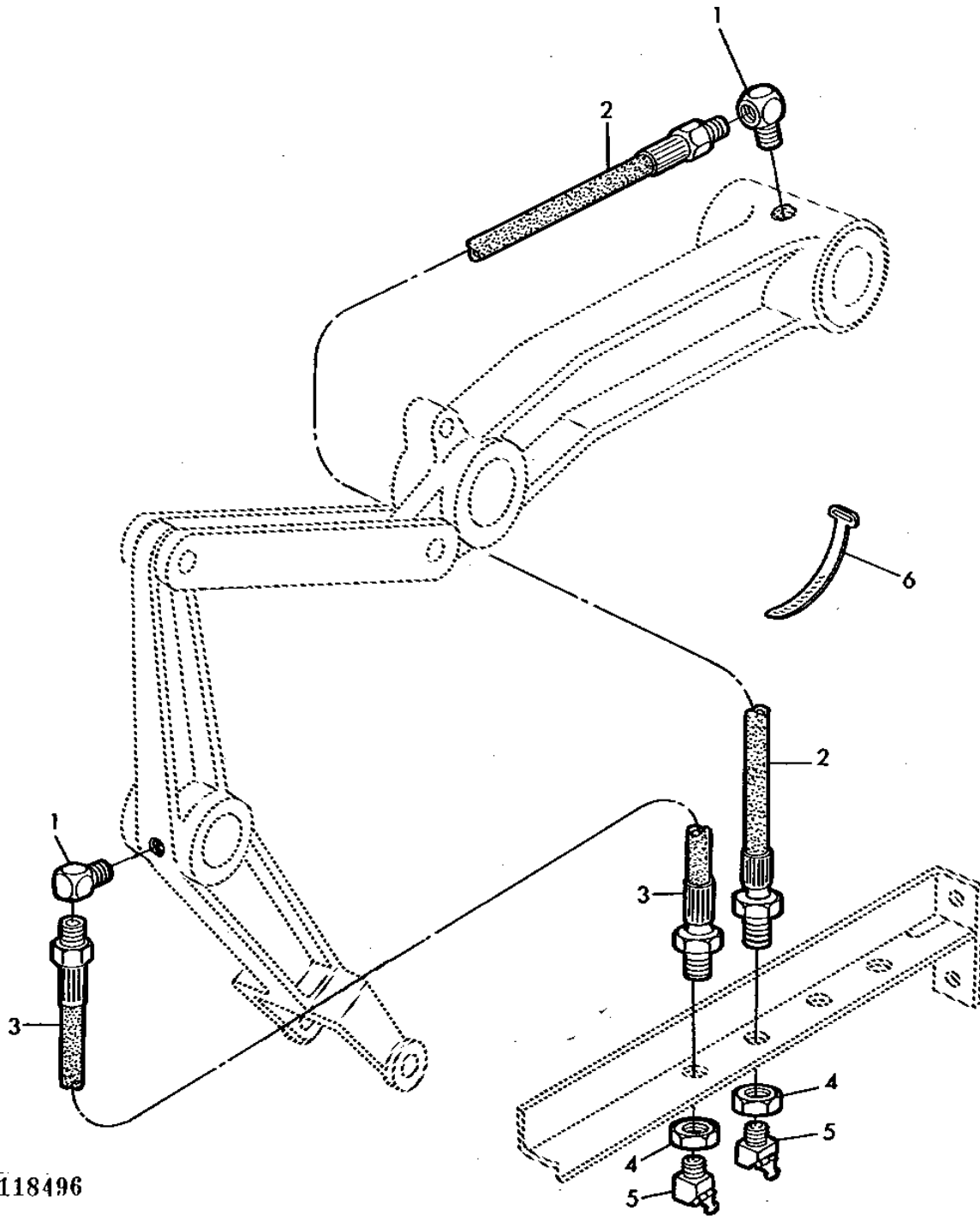
KEY	PART NO.	PART NAME	QTY	SERIAL NO.	4 4 4 3 4 5 3 H 5 Y	REMARKS
1	AZ36315	LEVER	1		X X	
2	Z33797	SHAFT	1		X X	
3	44M7028	PIN	1		X X	12 X 50 MM
4	11M7013	COTTER PIN	4		X X	3.200 X 18 MM
5	Z34432	BAIL	1		X X	
6	34M7043	SPRING PIN	1		X X	6 X 45 MM
7	24M7040	WASHER	AR		X X	11 X 20 X 2 MM
8	24M7052	WASHER	2		X X	25 X 44 X 4 MM
9	11M7037	COTTER PIN	1		X X	6.300 X 36 MM
10	Z10669	IDLER	1		X X	
11	AZ12215	SEAL	1		X X	
12	JD8187	BEARING CONE	1		X X	
13	JD8225	BEARING CUP	1		X X	
14	40M1862	SNAP RING	1		X X	45 X 1,75MM
15	JD8226	BEARING CUP	1		X X	
16	JD8188	BEARING CONE	1		X X	
17	24M7053	WASHER	1		X X	17 X 30 X 3 MM
18	11M7022	COTTER PIN	1		X X	4 X 28 MM
19	14M7179	NUT	1		X X	M16
20	Z9769H	CAP	1		X X	
21	11M7019	COTTER PIN	2		X X	
22	Z42148	PIN	1		X X	
23	14M7140	NUT	AR		X X	M10
24	L19105	WASHER	AR		X X	

4C10

SEPARATOR

Z118496 -UN-01JAN94

DRIVE IDLER



Z118496

4C11

SEPARATOR

CENTRAL LUBRICATING POINT - SEPARATOR DRIVE IDLER - CONTINUED

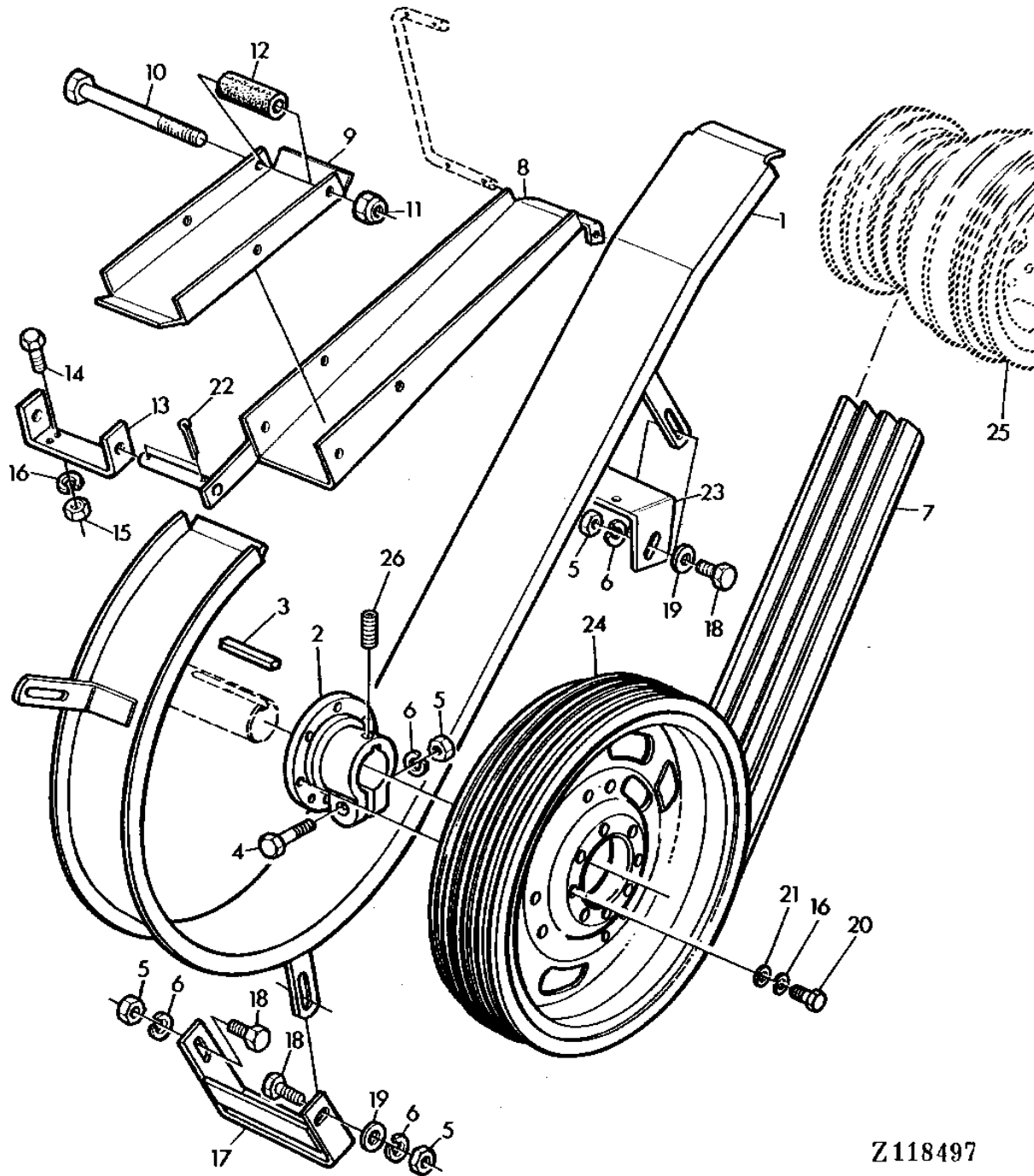
KEY	PART NO.	PART NAME	QTY	SERIAL NO.	4 4 4 3 4 5 3 H 5 Y	REMARKS
1	JD7845	LUBRICATION FITTING	2		X X	
2	AZ36312	HYDRAULIC HOSE	1		X X	
3	AZ36313	HOSE	1		X X	
4	E12379	NUT	2		X X	
5	JD7788	LUBRICATION FITTING	2		X X	
6	Z36392	CLAMP	1		X X	

4C12

SEPARATOR

Z118497 -UN-01JAN94

BEATER DRIVE



Z118497

4C13

SEPARATOR

BEATER DRIVE - CONTINUED

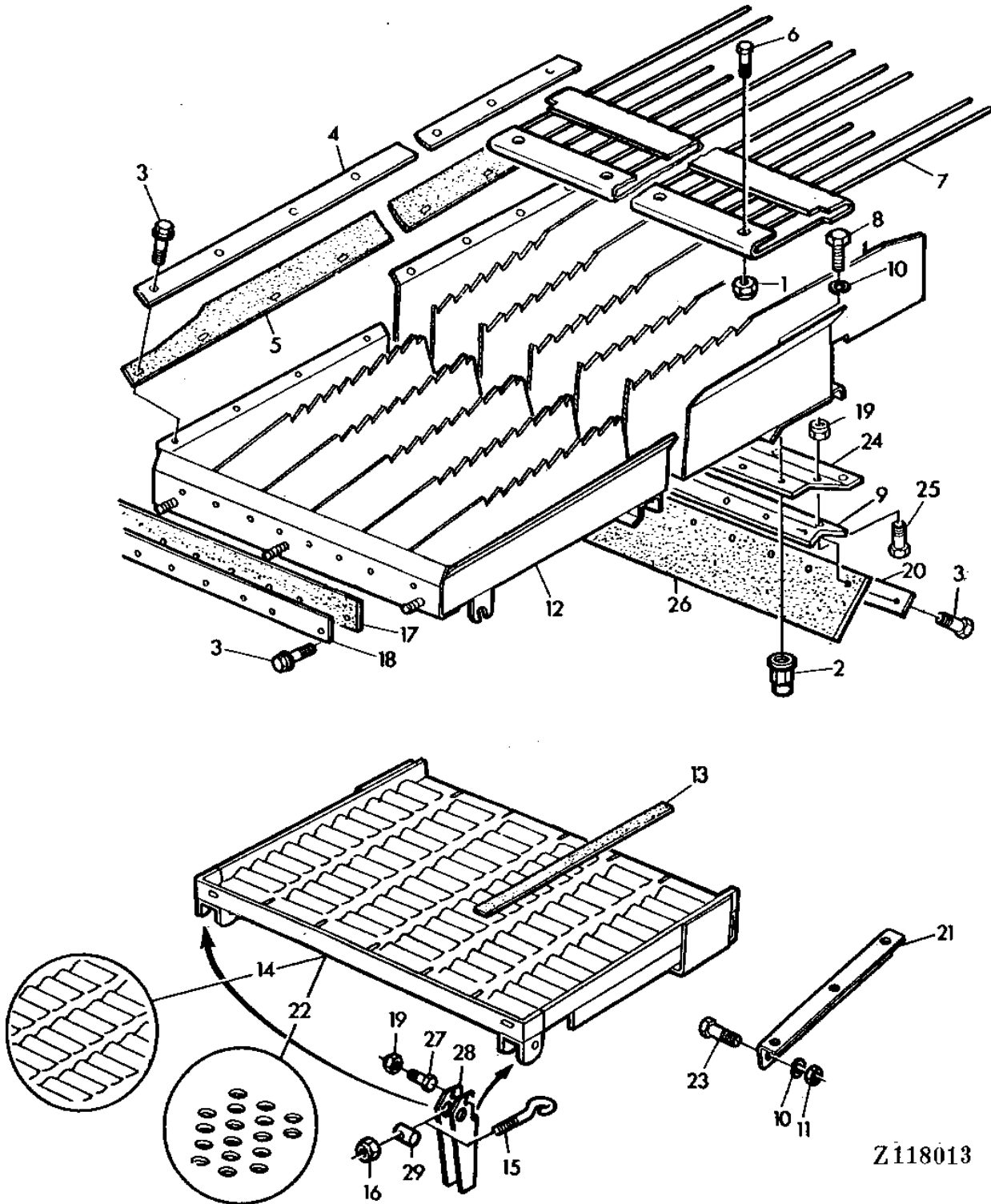
KEY	PART NO.	PART NAME	QTY	SERIAL NO.	4 4 4 3 4 5 3 H 5 Y	REMARKS
1	AZ22728	GUIDE	1		X X	
2	Z11562	HUB	1		X X	
3	49M7016	SHAFT KEY	1		X X	12 X 8 X 80 MM
4	19M7327	CAP SCREW	1		X X	
5	14M7140	NUT	AR		X X	M10
6	12M7013	LOCK WASHER	AR		X X	10.200 MM
7	Z33790	BELT	1		X X	
8	AZ35220	GUIDE	1		X X	
9	Z33799	GUIDE	1		X X	
10	19M7638	CAP SCREW	2		X X	M10 X 130
11	14M7167	LOCK NUT	AR		X X	M10
12	Z31640	BUSHING	2		X X	
13	Z44700	RETAINER	1		X X	
14	19M7163	CAP SCREW	AR		X X	M8 X 25
15	14M7151	NUT	AR		X X	M8
16	12M7008	LOCK WASHER	AR		X X	8.100 MM
17	AZ21631	HOLDER	1		X X	
18	19M7167	CAP SCREW	AR		X X	M10 X 25
19	24M7106	WASHER	AR		X X	10 X 18 X 2.500 MM
20	19M7298	CAP SCREW	8		X X	M8 X 35
21	24M7265	WASHER	8		X X	9 X 16 X 1.600 MM
22	11M7013	COTTER PIN	2		X X	3.200 X 18 MM
23	Z43622	RETAINER	1		X X	
24	Z12188	SHEAVE	1		X X	
25	PULLEY	1		X X	SEE SECTION 020
26	22M7147	SET SCREW	1		X X	M10 X 16

4C14

SEPARATOR

Z118013 -UN-01JAN94

GRAIN PAN



Z118013

4C15

SEPARATOR

GRAIN PAN - CONTINUED

KEY	PART NO.	PART NAME	QTY	SERIAL NO.	4 4 4 3 4 5 3 H 5 Y	REMARKS
1	14M7167	LOCK NUT	AR		X X	M10
2	Z51801	NUT	AR		X X	
3	Z47791	SCREW	AR		X X	
4	Z20308	REINFORCEMENT	2		X X	
5	Z20307	GASKET	2		X X	
6	19M7180	CAP SCREW	AR		X X	M10 X 45
7	AZ42047	SUPPORT	1		X	(SUB AZ42380)
	AZ42380	SUPPORT	1		X X	
8	19M7163	CAP SCREW	AR		X X	M8 X 25
9	Z51761	ANGLE	1		X X	
10	12M7008	LOCK WASHER	AR		X X	8.100 MM
11	14M7029	NUT	AR		X X	M8
12	AZ40721	RETURN PAN	1		X X	INCL. KEYS 3 - 5,17,18
13	Z36532	WEATHERSTRIP	5		X X	
14	AZ41040	DOOR	1		X X	
15	Z35132	EYEBOLT	2		X X	
16	14M7166	LOCK NUT	AR		X X	M8
17	Z43489	WEATHERSTRIP	1		X X	
18	Z43488	STRAP	1		X X	
19	14M7165	LOCK NUT	AR		X X	M6
20	Z42646	REINFORCEMENT	1		X X	
21	Z48104	ANGLE	2		X X	
22	AZ42149	BOTTOM	1		X X	AS REQUIRED
23	19M7163	CAP SCREW	AR		X X	M8 X 25
24	AZ40640	REINFORCEMENT	1		X X	
25	19M6614	CAP SCREW	AR		X X	M6 X 12
26	Z44606	GASKET	1		X X	
27	19M7159	CAP SCREW	AR		X X	M6 X 15
28	Z35136	LEVER	2		X X	
29	Z35135	PIN	2		X X	

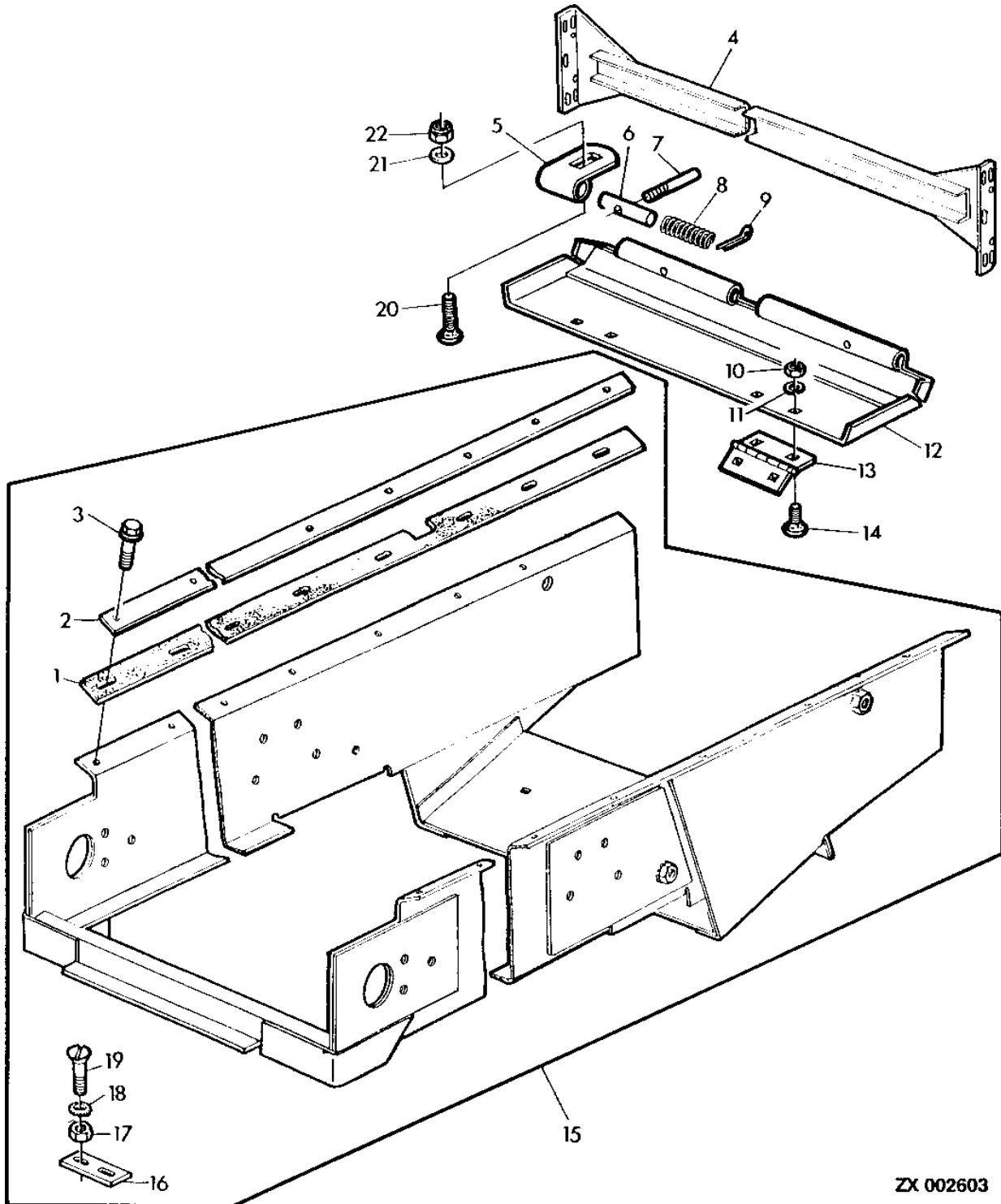
4C16

SEPARATOR

ZX002603

-UN-01JAN94

CHAFFER FRAME



ZX 002603

4C17

SEPARATOR

CHAFFER FRAME - CONTINUED

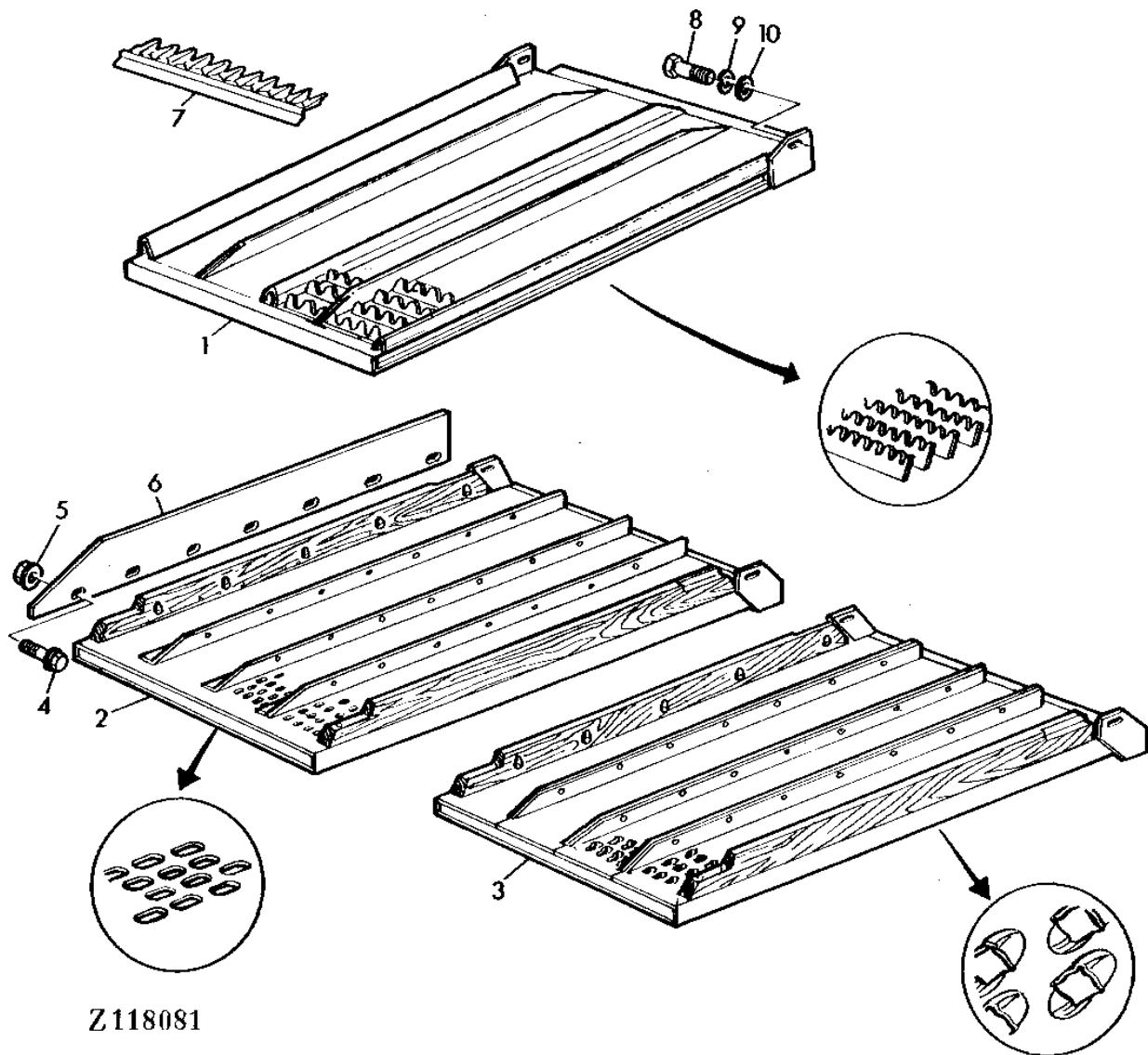
KEY	PART NO.	PART NAME	QTY	SERIAL NO.	4 4 4 3 4 5 3 H 5 Y	REMARKS
1	Z33945	GASKET	2	-056349	X X	
	Z53455	ISOLATOR	2	056350-	X X	
2	Z33933	REINFORCEMENT	2		X X	(SUB Z53456)
	Z53456	STRAP	2		X X	
3	Z47791	SCREW	AR		X X	
4	AZ37917	BEAM	1		X X	
5	Z47967	HINGE	2		X X	(SUB Z56851)
	Z56851	HINGE	2		X X	
6	Z47966	PIN	2		X X	
7	Z47968	STUD	2		X X	
8	Z23940	COMPRESSION SPRING	2		X X	
9	11M7027	COTTER PIN	AR		X X	5 X 28 MM
10	14M7027	NUT	AR		X X	M6
11	12M7012	LOCK WASHER	AR		X X	6.100 MM
12	Z47973	FLAP	1	-057506	X X	
	AZ44461	FLAP	1	057507-	X X	
13	AZ21990	HINGE	1		X X	(SUB AZ44416)
	AZ44416	HINGE	1		X X	
14	03M7092	BOLT	AR		X X	M6 X 16
15	AZ38128	COMBINE SHOE	1	-057506	X X	(ORDER AZ44580) (ALSO ORDER AZ44461, (3) AZ44416, (2) Z55661, (2) Z47966, (2) 12M7008, (2) 19M7162 AND (2) 24M7036)
	AZ44580	COMBINE SHOE	1	057507-	X X	(SUB FOR AZ38128)
16	Z39723	GUIDE	2		X X	
17	14M7297	NUT	AR		X X	M5
18	12M7011	LOCK WASHER	AR		X X	5.100 MM
19	21M5525	SCREW	AR		X X	M5 X 16
20	03M7031	BOLT	2		X X	M10 X 25
21	24M7040	WASHER	2		X X	11 X 20 X 2 MM
22	14M7167	LOCK NUT	2		X X	M10

4C18

SEPARATOR

Z118081 -UN-01JAN94

CHAFFER



Z118081

4C19

SEPARATOR

CHAFFER - CONTINUED

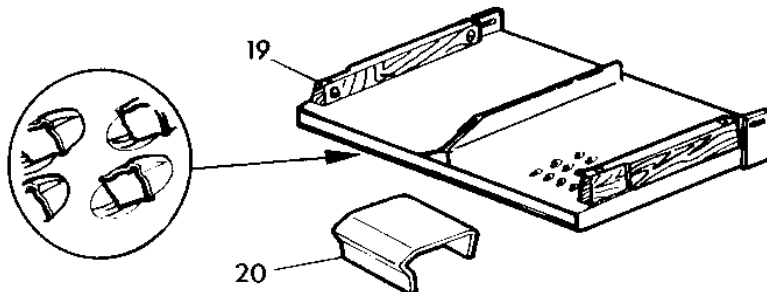
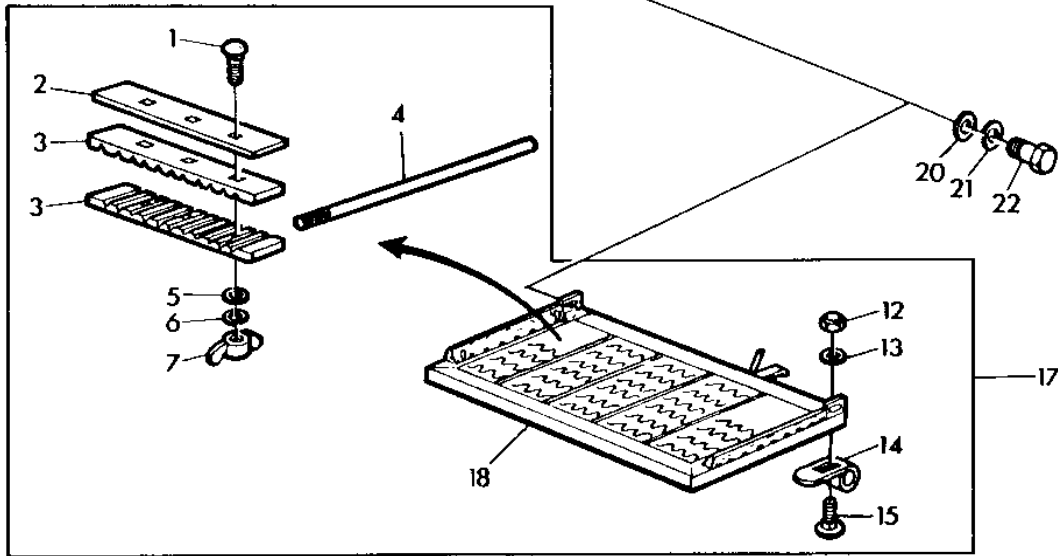
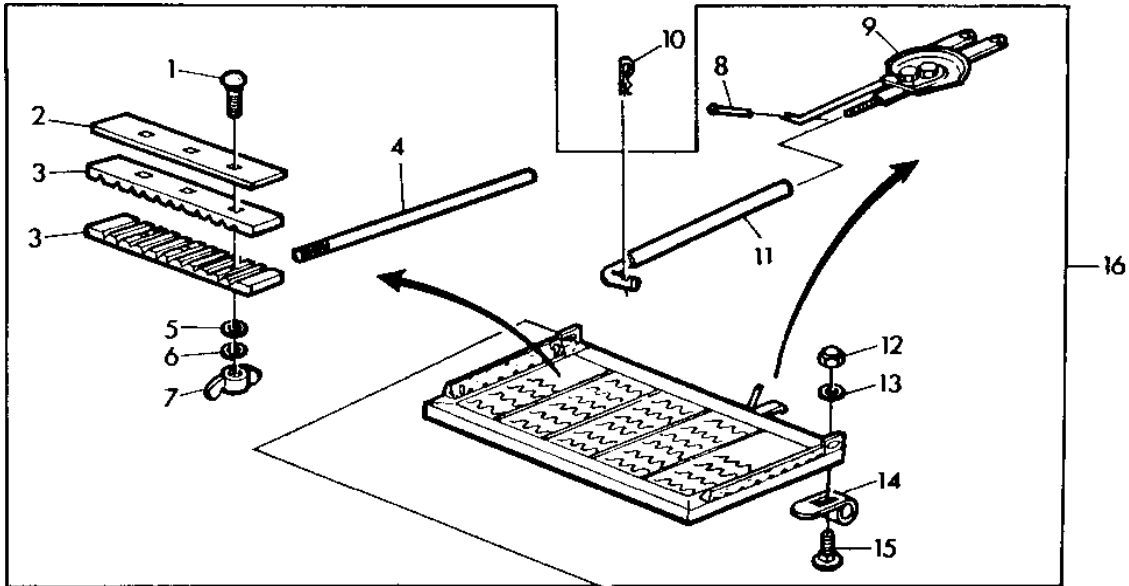
KEY	PART NO.	PART NAME	QTY	SERIAL NO.	4 4 4 3 4 5 3 H 5 Y	REMARKS
1	AZ40974	CHAFFER	1		X X	41 MM (1-5/8") SPACING, (DEEP TOOTH)
	AZ38285	CHAFFER	1		X X	29 MM (1-1/8") SPACING, (REGULAR TOOTH)
2	AZ38133	CHAFFER	1		X X	
3	AZ38134	CHAFFER	1		X X	
4	19M8450	CAP SCREW	AR		X X	M5 X 12
5	14M7450	FLANGE NUT	AR		X X	M5
6	Z47861	STRAP	5		X X	
7	Z44873	FINGER GRATE	AR		X X	
8	19M7380	CAP SCREW	AR		X X	M10 X 22
9	12M7013	LOCK WASHER	AR		X X	10.200 MM
10	Z38269	WASHER	AR		X X	

4C20

SEPARATOR

ZX002127 -UN-01JAN94

CHAFFER EXTENSION



ZX 002127

4C21

SEPARATOR

CHAFFER EXTENSION - CONTINUED

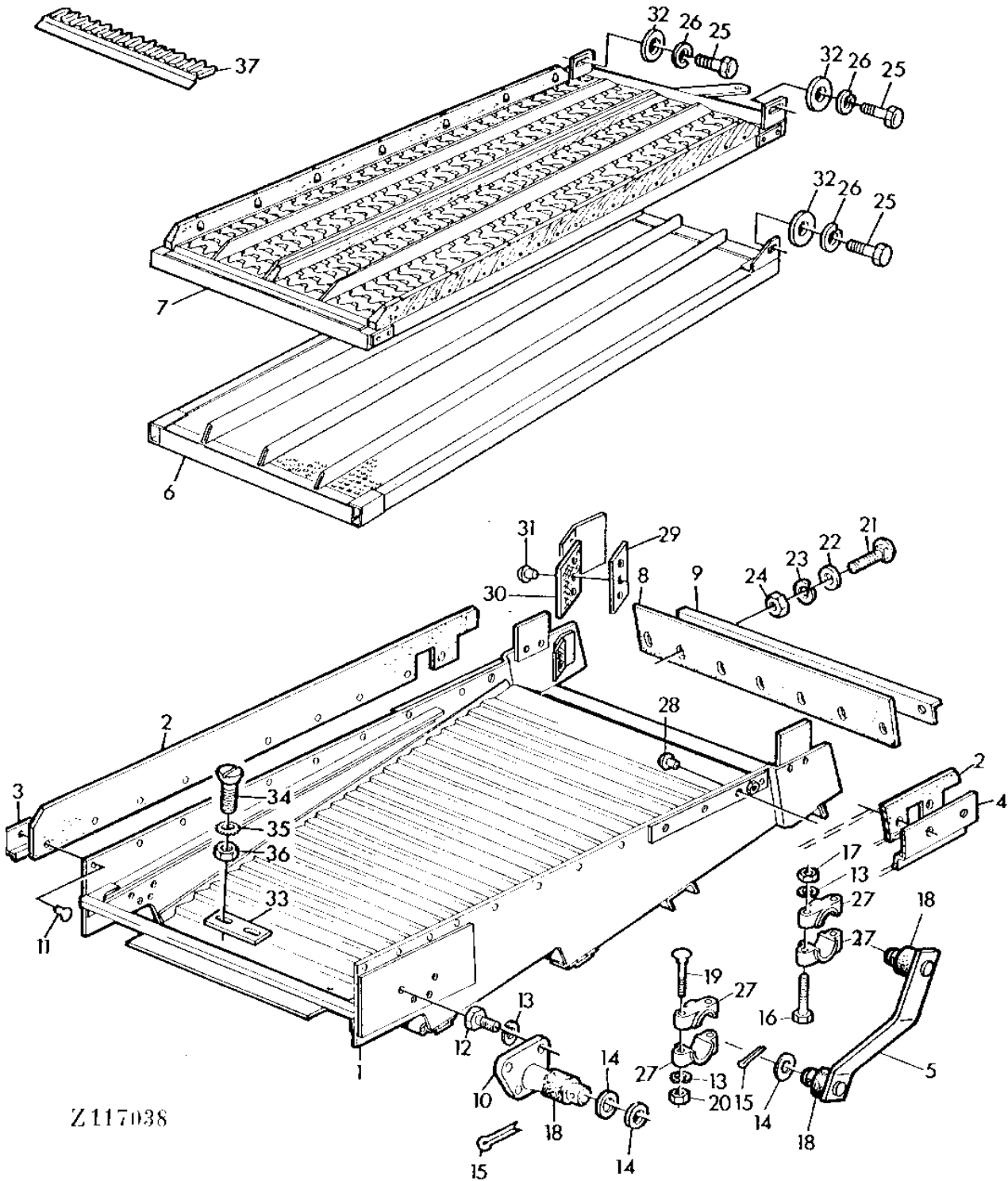
KEY	PART NO.	PART NAME	QTY	SERIAL NO.	4 4 4 3 4 5 3 H 5 Y	REMARKS
1	03M7071	BOLT	6		X X	M8 X 45
2	Z47952	STRAP	2		X X	
3	Z47953	RETAINER	4		X X	
4	Z47951	STUD	22		X X	
5	24M7036	WASHER	AR		X X	9 X 16 X 1.600 MM
6	12M7008	LOCK WASHER	AR		X X	8.100 MM
7	14M7020	WING NUT	6		X X	M8
8	11M7010	SPRING PIN	AR		X X	2 X 18 MM
9	AZ38485	ADJUSTER	AR		X X	(FOR AZ38262)
10	L12622	SPRING LOCKING PIN	1		X X	
11	AZ38330	ROD	1		X X	
12	14M7167	LOCK NUT	AR		X X	M10
13	24M7040	WASHER	AR		X X	11 X 20 X 2 MM
14	Z47967	HINGE	2		X X	(SUB Z56851)
	Z56851	HINGE	2		X X	
15	03M7017	BOLT	AR		X X	M10 X 25
16	AZ38262	CHAFFER	1		X X	29 MM (1-1/8") SPACING, (REGULAR TOOTH), (SUB AZ44100)
	AZ44100	CHAFFER	1		X X	29 MM (1-1/8") SPACING, (REGULAR TOOTH)
17	AZ41200	EXTENSION	1		X X	41 MM (1-5/8") SPACING, (DEEP TOOTH)
18	AZ40976	CHAFFER	1		X X	41 MM (1-5/8") SPACING, (DEEP TOOTH)
19	AZ38288	CHAFFER	1		X X	
20	Z57808	CLIP	1		X X	

4C22

SEPARATOR

Z117038 -UN-01JAN94

RETURN PAN WITH SIEVES



Z117038

4C23

SEPARATOR

RETURN PAN WITH SIEVES - CONTINUED

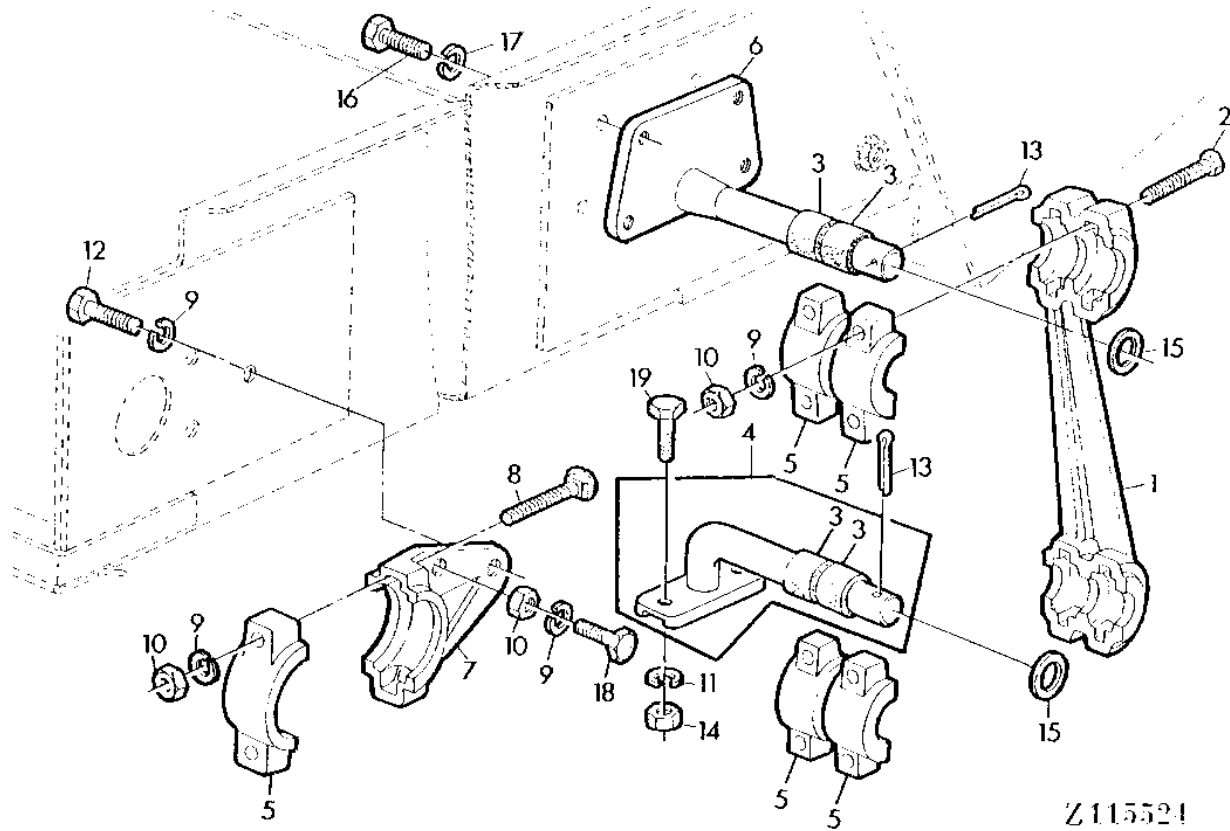
KEY	PART NO.	PART NAME	QTY	SERIAL NO.	4 4 4 3 4 5 3 H 5 Y	REMARKS
1	AZ29238	FRAME	1		X X	(INCL.KEYS 29-31,ALSO ORDER KEYS (2)2,3,4, (26)11), (SUB AZ42438)
	AZ42438	FRAME	1		X X	(INCL.KEYS 2-4,8,9,11,29-31,33-36)
2	Z35997	GASKET	2		X X	
3	Z33925	REINFORCEMENT	1		X X	R.H.
4	Z33924	REINFORCEMENT	1		X X	L.H.
5	AZ41201	HANGER	1		X X	
6	AZ23543	SIEVE	1		X X	FIXED, 4MM (0.16") ROUND HOLES
	AZ25433	SIEVE	1		X X	FIXED, 8MM (0.31") ROUND HOLES
	AZ23541	SIEVE	1		X X	FIXED, 13,5MM (0.53") ROUND HOLES
	AZ23538	SIEVE	1		X X	FIXED, 15MM (0.59") ROUND HOLES
	AZ23535	SIEVE	1		X X	FIXED, 17MM (0.67") ROUND HOLES
7	AZ22801	SIEVE	1		X X	
8	Z36424	GASKET	1		X X	
9	Z36429	REINFORCEMENT	1		X X	
10	AZ19242	SHAFT	2		X X	
11	16M2604	RIVET	AR		X X	6 X 18 MM
12	19M7162	CAP SCREW	AR		X X	M8 X 16
13	12M7008	LOCK WASHER	AR		X X	8.100 MM
14	24M7049	WASHER	AR		X X	17.500 X 30 X 3 MM
15	11M7020	COTTER PIN	AR		X X	4 X 22 MM
16	19M7271	CAP SCREW	AR		X X	M8 X 65
17	14M7147	NUT	AR		X X	M8
18	P42100	BUSHING	6		X X	
19	03M7321	BOLT	AR		X X	M8 X 75
20	14M7029	NUT	AR		X X	M8
21	21M7031	SCREW	AR		X X	M6 X 15
22	24M7088	WASHER	AR		X X	6.600 X 12 X 1.600 MM
23	12M7012	LOCK WASHER	AR		X X	6.100 MM
24	14M7027	NUT	AR		X X	M6
25	19M7167	CAP SCREW	AR		X X	M10 X 25
26	12M7013	LOCK WASHER	AR		X X	10.200 MM
27	PK1103H	BEARING	8		X X	
28	16M2606	RIVET	AR		X X	6 X 22 MM
29	Z36984	STRAP	2		X X	
30	Z36523	GASKET	2		X X	
31	16M7081	RIVET	6		X X	
32	Z38269	WASHER	AR		X X	
33	Z39723	GUIDE	2		X X	
34	21M5525	SCREW	AR		X X	M5 X 16
35	12M7062	LOCK WASHER	AR		X X	6.400 MM
36	14M7297	NUT	AR		X X	M5
37	Z44872	FINGER GRATE	AR		X X	

4C24

SEPARATOR

Z115524 -UN-01JAN94

CLEANING SHOE SUSPENSION



Z115524

4C25

SEPARATOR

CLEANING SHOE SUSPENSION - CONTINUED

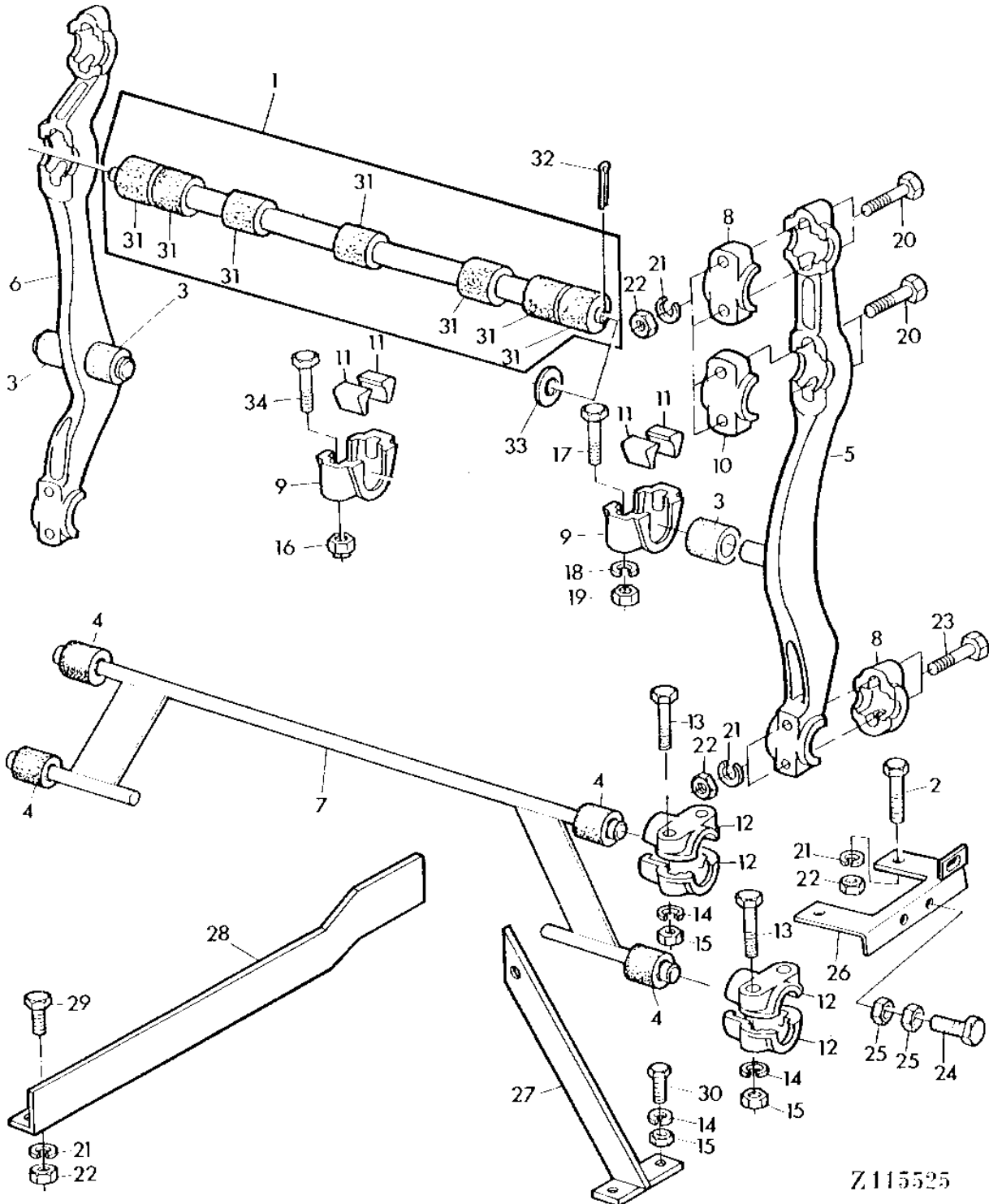
KEY	PART NO.	PART NAME	QTY	SERIAL NO.	4 4 4 3 4 5 3 H 5 Y	REMARKS
1	Z10914	HANGER	2		X X	
2	19M7156	CAP SCREW	8		X X	M10 X 60
3	P49545	BUSHING	8		X X	
4	AZ40322	PIVOT	2		X X	
5	PK1931H	HOUSING	10		X X	
6	AZ23184	SHAFT	2		X X	INCL. KEY (2)3
7	Z10008	HANGER	2		X X	
8	03M7079	BOLT	4		X X	M10 X 55
9	12M7013	LOCK WASHER	AR		X X	10.200 MM
10	14M7140	NUT	AR		X X	M10
11	12M7014	LOCK WASHER	4		X X	12.200 MM
12	19M7379	CAP SCREW	AR		X X	M10 X 15
13	11M7027	COTTER PIN	AR		X X	5 X 28 MM
14	14M7031	NUT	4		X X	M12
15	24M7091	WASHER	4		X X	26 X 44 X 4 MM
16	19M7162	CAP SCREW	AR		X X	M8 X 16
17	12M7008	LOCK WASHER	AR		X X	8.100 MM
18	19M7167	CAP SCREW	AR		X X	M10 X 25
19	19M7285	CAP SCREW	4		X X	M12 X 30

4D1

SEPARATOR

Z115525 -UN-01JAN94

GRAIN PAN SHAFT AND SUSPENSION



Z115525

4D2

SEPARATOR

GRAIN PAN SHAFT AND SUSPENSION - CONTINUED

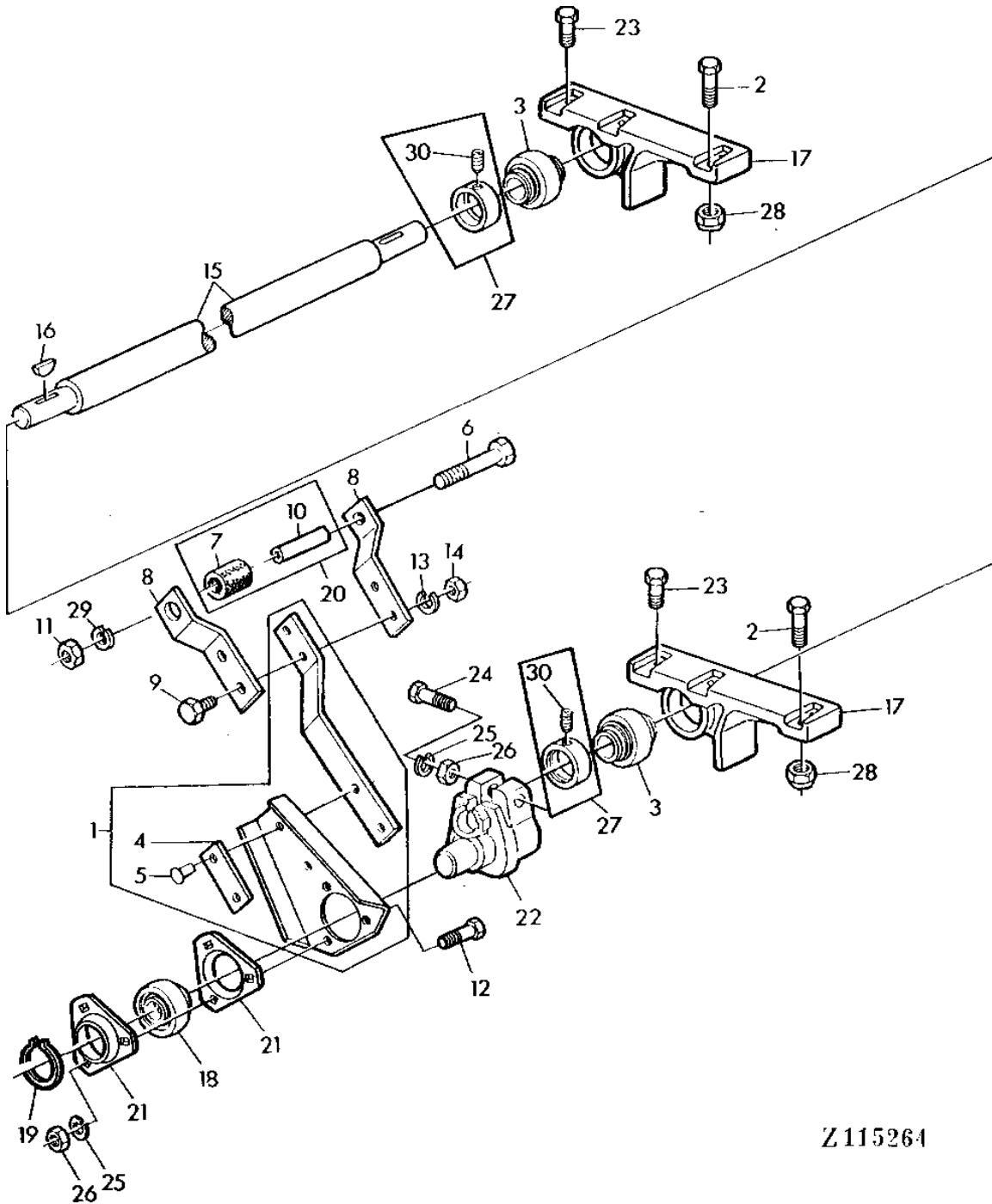
KEY	PART NO.	PART NAME	QTY	SERIAL NO.	4	REMARKS
					4	
					4 3	
					4 5	
					3 H	
					5 Y	
1	AZ35094	SHAFT	1		X X	
2	19M7381	CAP SCREW	1		X X	M10 X 28
3	P49545	BUSHING	3		X X	
4	P42100	BUSHING	4		X X	
5	AZ17705	HANGER	1		X X	L.H., INCL.KEY 3
6	AZ17704	HANGER	1		X X	R.H., INCL.KEY 3
7	AZ22788	HANGER	1		X X	INCL.KEY 4
8	Z10639	BEARING	4		X X	
9	Z10418	QUILL	6		X X	
10	Z10634	HOUSING	2		X X	
11	H10613	WEDGE	12		X X	
12	PK1103H	BEARING	8		X X	
13	19M7185	CAP SCREW	8		X X	M8 X 60
14	12M7008	LOCK WASHER	AR		X X	8.100 MM
15	14M7029	NUT	AR		X X	M8
16	14M7168	LOCK NUT	12		X X	M12
17	19M7273	CAP SCREW	12		X X	M12 X 60
18	12M7014	LOCK WASHER	6		X X	12.200 MM
19	14M7031	NUT	6		X X	M12
20	19M7156	CAP SCREW	8		X X	M10 X 60
21	12M7013	LOCK WASHER	AR		X X	10.200 MM
22	14M7140	NUT	AR		X X	M10
23	19M7328	CAP SCREW	4		X X	M10 X 70
24	19M7387	CAP SCREW	1		X X	M12 X 40
25	14M7154	NUT	2		X X	M12
26	AZ37285	HOLDER	1		X X	
27	AZ17792	BRACE	1		X X	
28	Z42990	BRACE	1		X X	
29	19M7166	CAP SCREW	AR		X X	M10 X 20
30	19M7139	CAP SCREW	AR		X X	M8 X 20
31	Z37972	BUSHING	7		X X	
32	11M7029	COTTER PIN	AR		X X	5 X 36 MM
33	24M7046	WASHER	2		X X	26 X 40 X 4 MM
34	19M7330	CAP SCREW	6		X X	M12 X 55

4D3

SEPARATOR

Z115264 -UN-01JAN94

SHOE CRANK AND PITMAN



Z115264

4D4

SEPARATOR

SHOE CRANK AND PITMAN - CONTINUED

KEY	PART NO.	PART NAME	QTY	SERIAL NO.	4 4 4 3 4 5 3 H 5 Y	REMARKS
1	AZ35385	PITMAN	1		X X	
2	19M7180	CAP SCREW	AR		X X	M10 X 45
3	AZ32504	BALL BEARING	2		X X	
4	Z20170	STRAP	1		X X	
5	16M2552	RIVET	2		X X	
6	19M7414	CAP SCREW	1		X X	
7	P42100	BUSHING	1		X X	
8	Z46384	RETAINER	2		X X	
9	19M7298	CAP SCREW	AR		X X	M8 X 35
10	Z38442	SPACER	1		X X	
11	14M7031	NUT	2		X X	M12
12	19M7380	CAP SCREW	AR		X X	M10 X 22
13	12M7008	LOCK WASHER	AR		X X	8.100 MM
14	14M7029	NUT	AR		X X	M8
15	Z42568	SHAFT	1		X X	
16	26M6733	SHAFT KEY	AR		X X	8 X 32 MM
17	Z11335	HOUSING	2		X X	
18	JD10386	BALL BEARING	2		X X	
19	40M1831	SNAP RING	1		X X	30 X 1,5MM
20	AZ27684	TUBE	2		X X	
21	Z42840	QUILL	4		X X	
22	Z11696	CRANK	1		X X	
23	19M7169	CAP SCREW	AR		X X	M10 X 35
24	19M7156	CAP SCREW	1		X X	M10 X 60
25	12M7013	LOCK WASHER	AR		X X	10.200 MM
26	14M7140	NUT	AR		X X	M10
27	AZ32875	LOCKING COLLAR	2		X X	
28	14M7167	LOCK NUT	AR		X X	M10
29	12M7014	LOCK WASHER	2		X X	12.200 MM
30	22M7081	SET SCREW	2		X X	M10 X 10

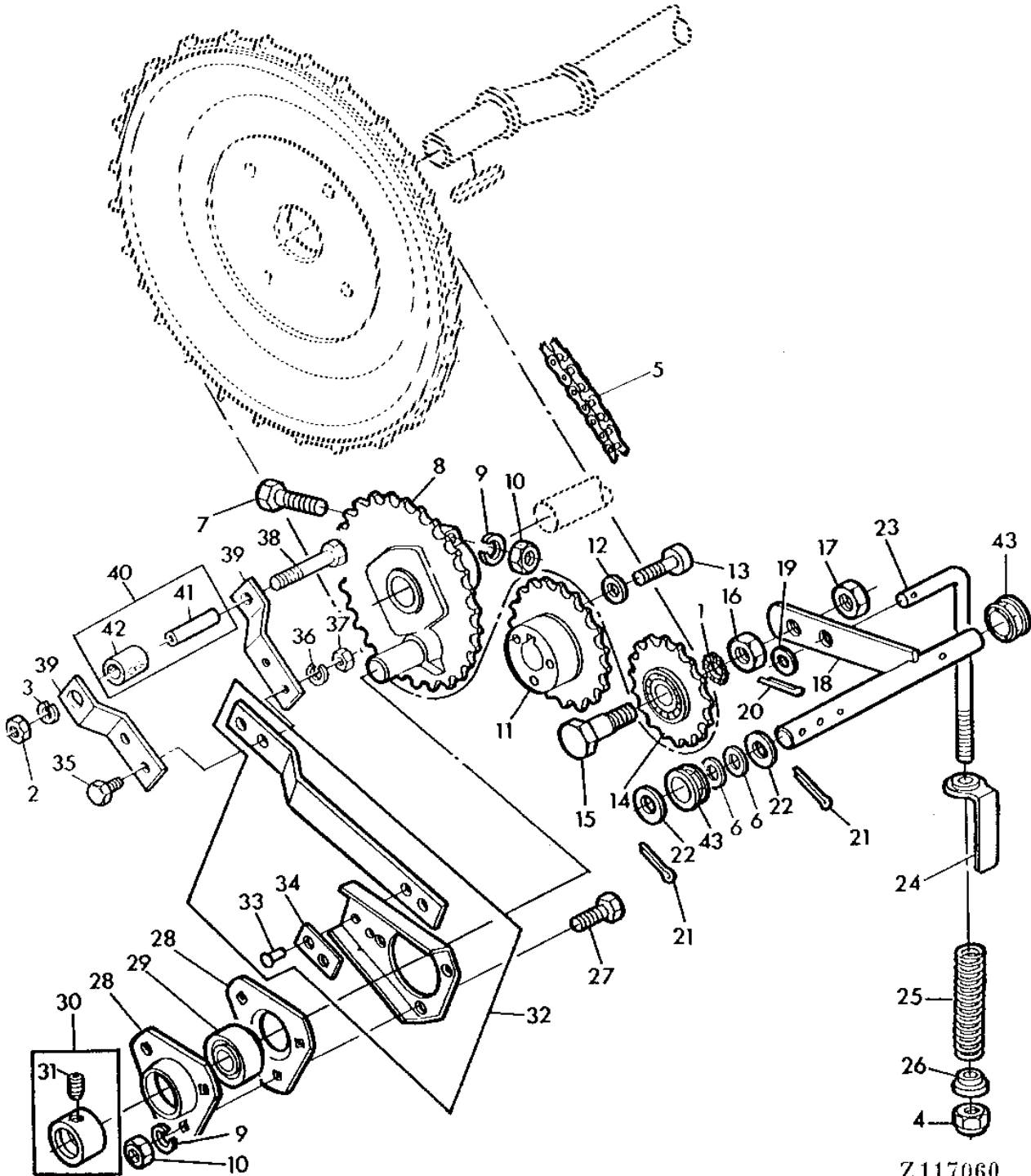
4D5

SEPARATOR

Z117060

-UN-01JAN94

STRAW WALKER AND LOWER CHAFFER BOARD DRIVE



Z117060

4D6

SEPARATOR

STRAW WALKER AND LOWER CHAFFER BOARD DRIVE - CONTINUED

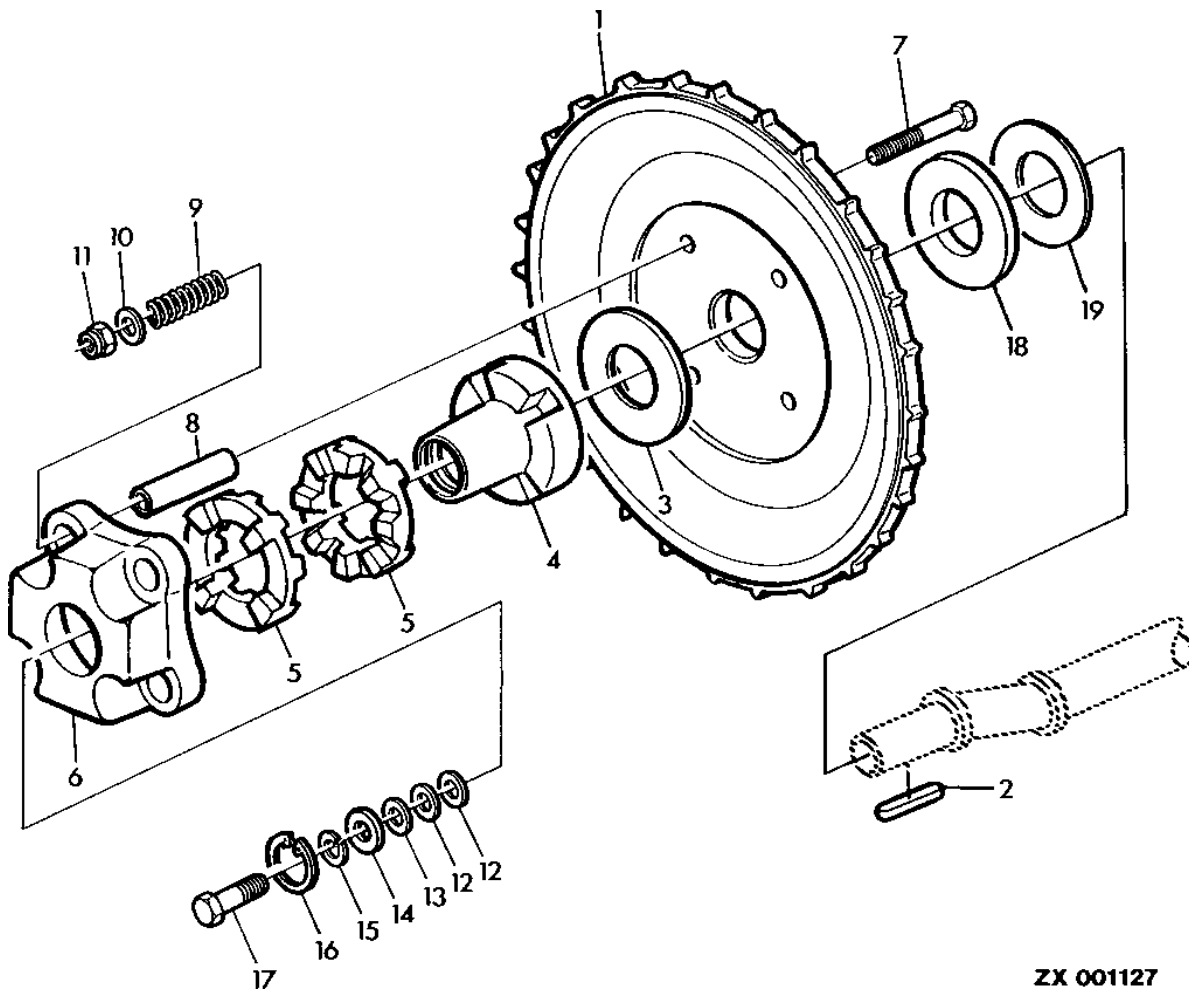
KEY	PART NO.	PART NAME	QTY	SERIAL NO.	REMARKS
					4
					4
					4 3
					4 5
					3 H
					5 Y
1	12M7052	LOCK WASHER	1		X X 17 MM
2	14M7031	NUT	AR		X X M12
3	12M7014	LOCK WASHER	AR		X X 12.200 MM
4	14M7167	LOCK NUT	AR		X X M10
5	AZ42175	ROLLER CHAIN	1		X X 118 LINKS
6	24M5783	WASHER	AR		X X 17 X 24 X 1 MM
7	19M7156	CAP SCREW	AR		X X M10 X 60
8	Z11690	CRANK	1		X X 33 TEETH
9	12M7013	LOCK WASHER	AR		X X 10.200 MM
10	14M7140	NUT	AR		X X M10
11	Z11699	CHAIN SPROCKET	1		X X 16 TEETH
12	12M7072	LOCK WASHER	AR		X X 8.400 MM
13	19M8126	SCREW	AR		X X M8 X 45
14	AZ36960	CHAIN SPROCKET	1		X X 16 TEETH
15	19M7397	CAP SCREW	1		X X M16 X 50
16	14M7260	NUT	1		X X M16
17	14M7142	NUT	1		X X M16
18	AZ36957	TIGHTENER	1		X X
19	24M7040	WASHER	AR		X X 11 X 20 X 2 MM
20	11M7013	COTTER PIN	AR		X X 3.200 X 18 MM
21	11M7021	COTTER PIN	AR		X X 4 X 25 MM
22	24M7049	WASHER	AR		X X 17.500 X 30 X 3 MM
23	Z46386	HOOK BOLT	1		X X
24	Z46373	POINTER	1		X X
25	Z40936	COMPRESSION SPRING	1		X X
26	Z40934	WASHER	1		X X
27	19M7167	CAP SCREW	AR		X X M10 X 25
28	Z42840	QUILL	2		X X
29	JD39103	BALL BEARING	1		X X
30	AZ10045	ECCENTRIC LOCKING COLLAR	1		X X
31	AZ19844	SET SCREW	1		X X
32	AZ36956	PITMAN	1		X X
33	16M2552	RIVET	2		X X 8 X 32 MM
34	Z20170	STRAP	1		X X
35	19M7301	CAP SCREW	AR		X X M8 X 40
36	12M7008	LOCK WASHER	AR		X X 8.100 MM
37	14M7029	NUT	AR		X X M8
38	19M7414	CAP SCREW	1		X X M12 X 90
39	Z46384	RETAINER	2		X X
40	AZ27684	TUBE	1		X X
41	Z38442	SPACER	1		X X
42	P42100	BUSHING	1		X X
43	Z47840	BUSHING	2		X X

4D7

SEPARATOR

ZX001127 -UN-01JAN94

SLIP CLUTCH - STRAW WALKER DRIVE



ZX 001127

4D8

SEPARATOR

SLIP CLUTCH - STRAW WALKER DRIVE - CONTINUED

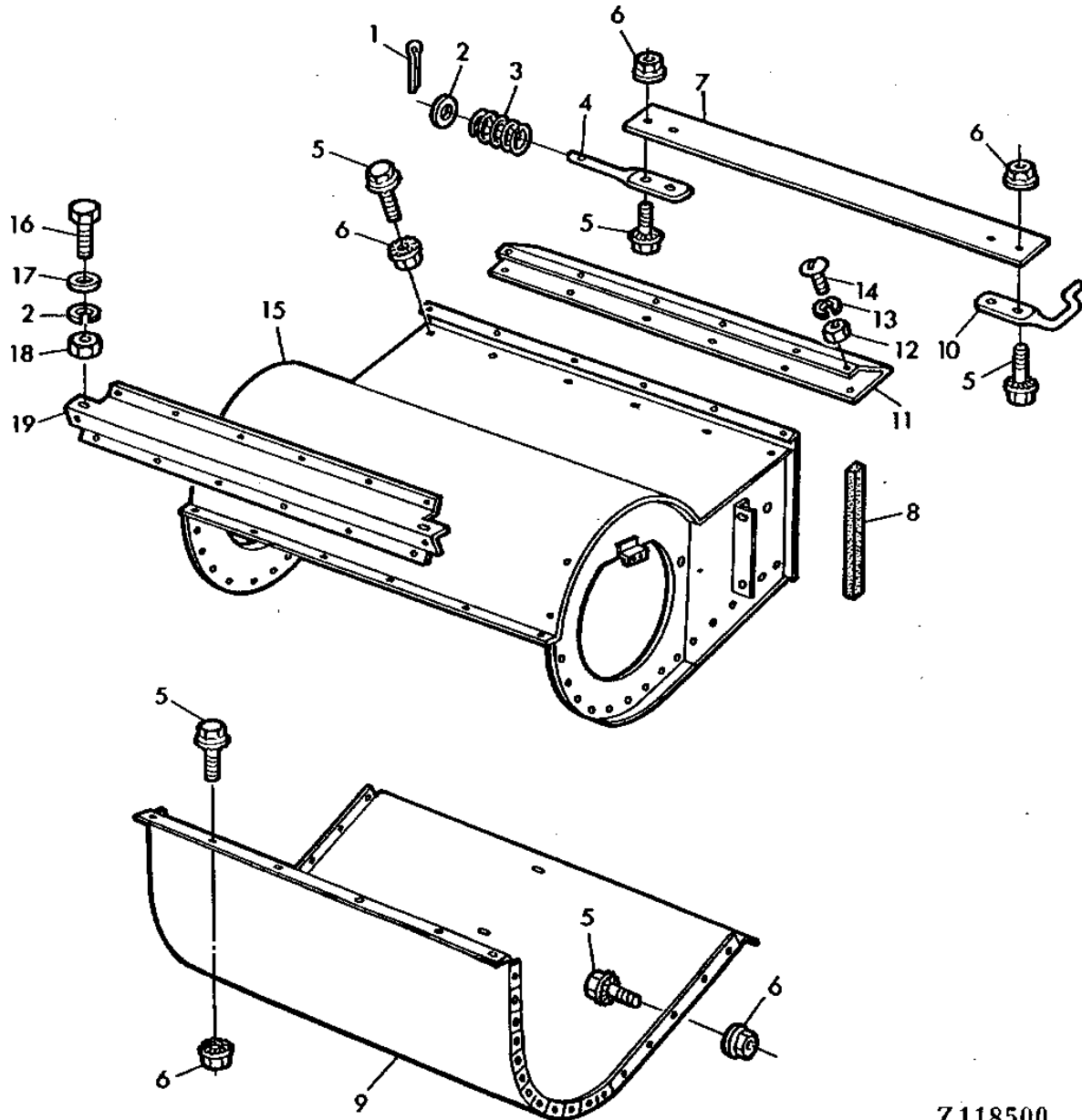
KEY	PART NO.	PART NAME	QTY	SERIAL NO.	4 4 4 3 4 5 3 H 5 Y	REMARKS
1	Z12244	CHAIN SPROCKET	1		X X	
2	49M4836	SHAFT KEY	1		X X	8 X 7 X 45 MM
3	H89524	WASHER	1		X	(SUB Z53298)
	Z53298	WASHER	1		X X	
4	CQ13105	HUB	1		X	(SUB Z12285)
	Z12285	HUB	1		X X	
5	Z699H	SLIP CLUTCH	2		X X	
6	CQ00534	HOUSING	1		X	(SUB Z12286)
	Z12286	HOUSING	1		X X	
7	19M8049	CAP SCREW	4		X X	M10 X 80
8	CQ13099	BUSHING	1		X	(SUB Z53297)
	Z53297	BUSHING	1		X X	(SUB Z57718)
	Z57718	BUSHING	1		X X	
9	S04790	SPRING	4		X	(SUB Z53296)
	Z53296	SPRING	4		X X	
10	24M7178	WASHER	4		X X	10.500 X 30 X 2.500 MM
11	14M7167	LOCK NUT	4		X X	M10
12	24M7028	WASHER	3		X X	10.500 X 20 X 2 MM
13	24M7140	WASHER	AR		X X	13 X 19 X 1 MM
14	24M7101	WASHER	1		X X	11 X 34 X 3 MM 35 X 1,5MM
15	12M7013	LOCK WASHER	1		X X	
16	40M1858	SNAP RING	1		X X	
17	19M7168	CAP SCREW	1		X X	M10 X 30
18	24M7202	WASHER	AR	-053960	X X	31 X 56 X 4 MM
19	24M7302	SHIM	AR	-053960	X X	0.500 MM

4D9

SEPARATOR

Z118500 -UN-01JAN94

FAN HOUSING



Z118500

4D10

SEPARATOR

FAN HOUSING - CONTINUED

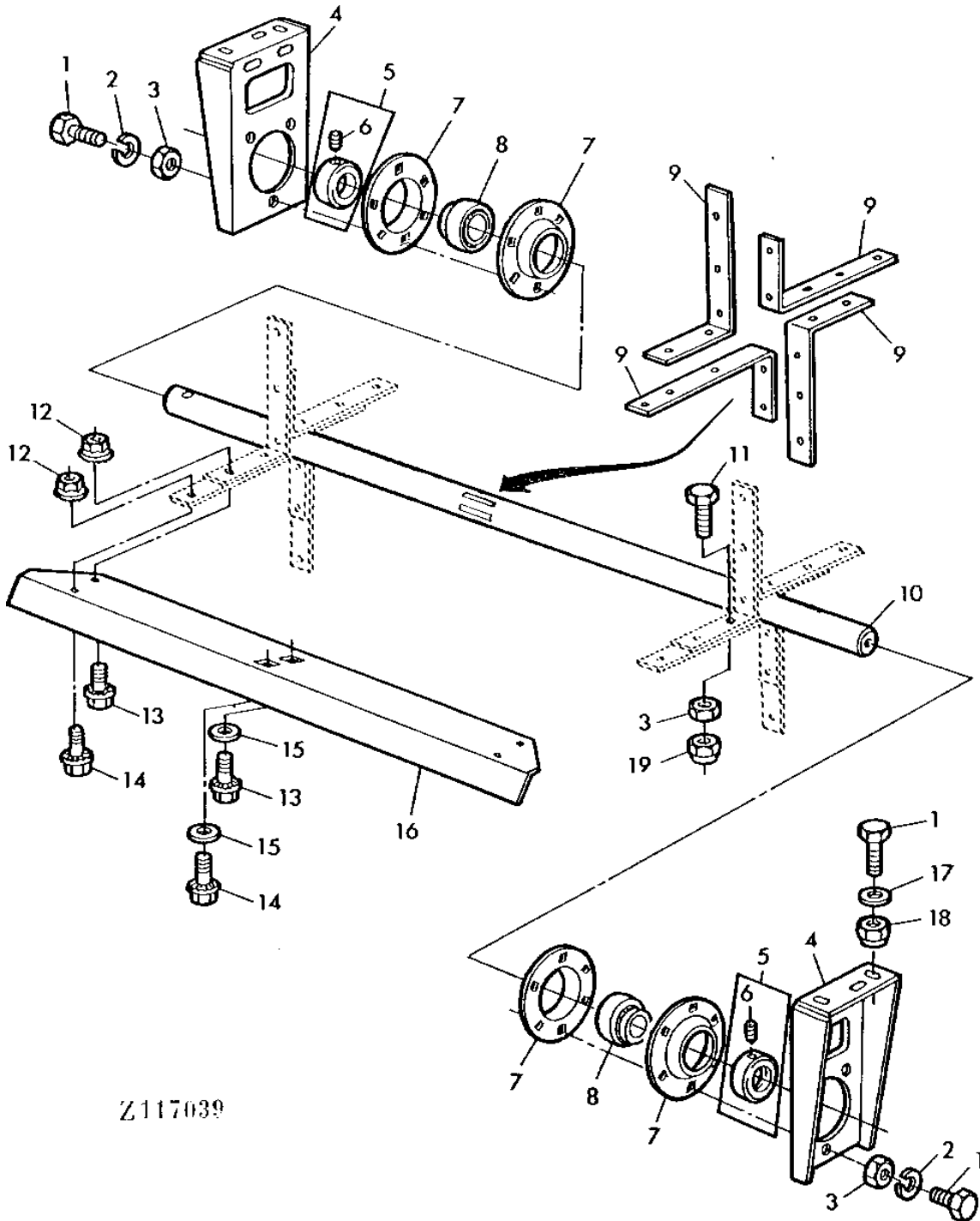
KEY	PART NO.	PART NAME	QTY	SERIAL NO.	4 4 4 3 4 5 3 H 5 Y	REMARKS
1	11M7011	COTTER PIN	AR		X X	3.200 X 14 MM
2	24M7040	WASHER	AR		X X	11 X 20 X 2 MM
3	L20507	SPRING	1		X X	
4	Z27520	GUDGEON	1		X X	
5	19M8362	CAP SCREW	AR		X X	M6 X 16
6	Z41039	NUT	AR		X X	
7	Z46533	STRAP	1		X	(SUB Z55606)
	Z55606	DEFLECTOR	1		X X	
8	Z48287	BARRIER	2		X X	
9	Z46543	BOTTOM	1		X X	
10	Z20154	LEVER	1		X X	
11	Z46937	DEFLECTOR	1		X X	
12	14M7027	NUT	AR		X X	M6
13	12M7012	LOCK WASHER	AR		X X	6.100 MM
14	21M7031	SCREW	AR		X X	M6 X 15
15	AZ37184	HOUSING	1		X X	
16	19M7381	CAP SCREW	AR		X X	M10 X 28
17	24M7101	WASHER	AR		X X	11 X 34 X 3 MM
18	14M7167	LOCK NUT	AR		X X	M10
19	Z46548	BEAM	1		X X	

4D11

SEPARATOR

Z117039 -UN-01JAN94

FAN SHAFT AND BLADES



Z117039

4D12

SEPARATOR

FAN SHAFT AND BLADES - CONTINUED

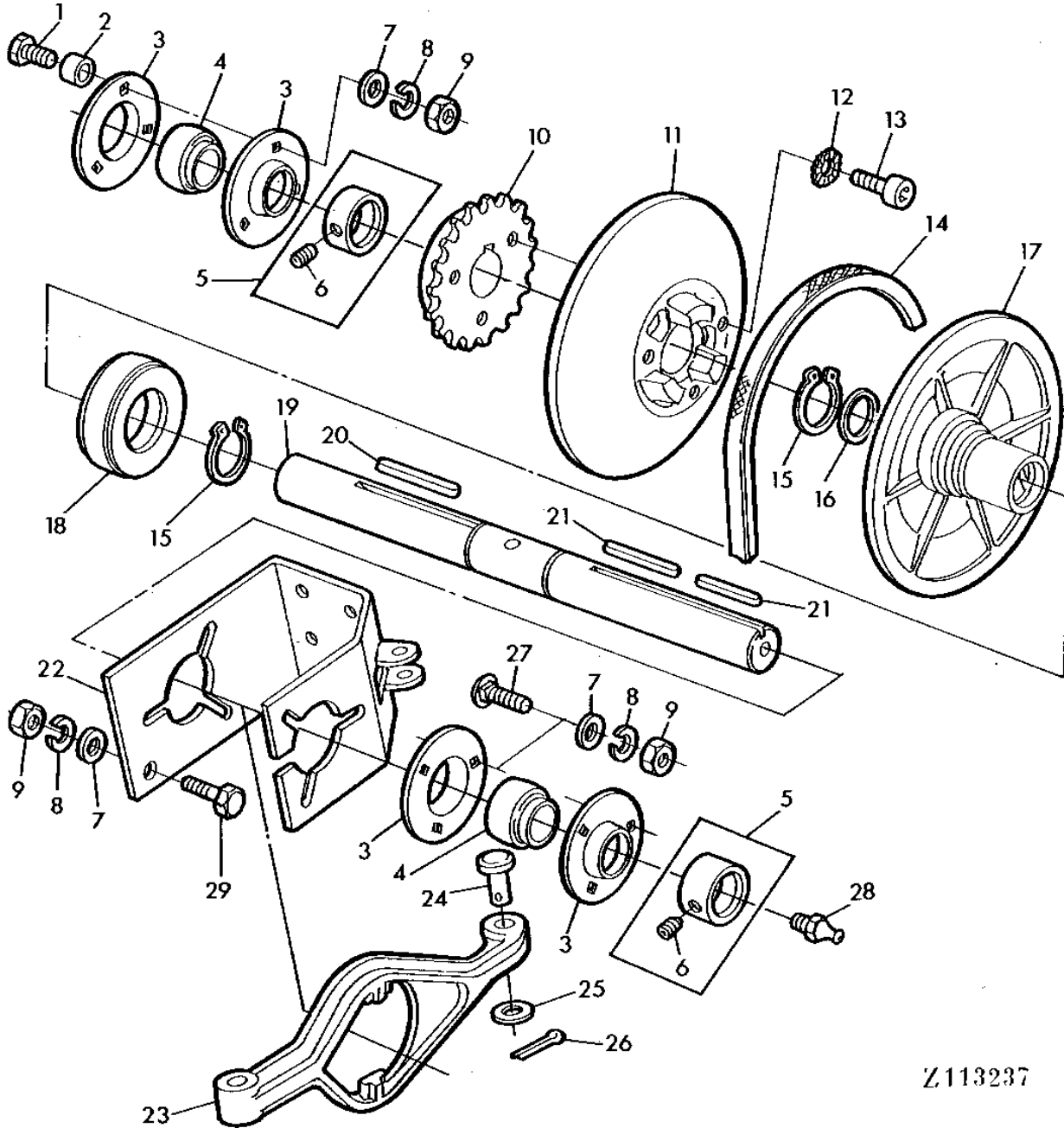
KEY	PART NO.	PART NAME	QTY	SERIAL NO.	4 4 4 3 4 5 3 H 5 Y	REMARKS
1	19M7381	CAP SCREW	AR		X X	M10 X 28
2	12M7013	LOCK WASHER	AR		X X	10.200 MM
3	14M7140	NUT	AR		X X	M10
4	Z45772	SUPPORT	2		X X	
5	AZ10020	ECCENTRIC LOCKING COLLAR	2		X X	
6	22M7081	SET SCREW	AR		X X	M10 X 10
7	Z44269	PRESSED FLANGED HOUSING	4		X X	
8	JD10397	BEARING	2		X X	
9	Z45773	ANGLE	12		X X	
10	Z46538	SHAFT	1		X X	
11	19M7169	CAP SCREW	AR		X X	M10 X 35
12	14M7166	LOCK NUT	AR		X X	M8
13	19M8367	CAP SCREW	AR		X X	M8 X 25
14	19M8308	CAP SCREW	AR		X X	M8 X 20
15	24M7036	WASHER	AR		X X	9 X 16 X 1.600 MM
16	Z46540	SHEET	4		X X	
17	24M7040	WASHER	AR		X X	11 X 20 X 2 MM
18	14M7167	LOCK NUT	AR		X X	M10

4D13

SEPARATOR

Z113237 -UN-01JAN94

UPPER FAN VARIATOR DRIVE



Z113237

4D14

SEPARATOR

UPPER FAN VARIATOR DRIVE - CONTINUED

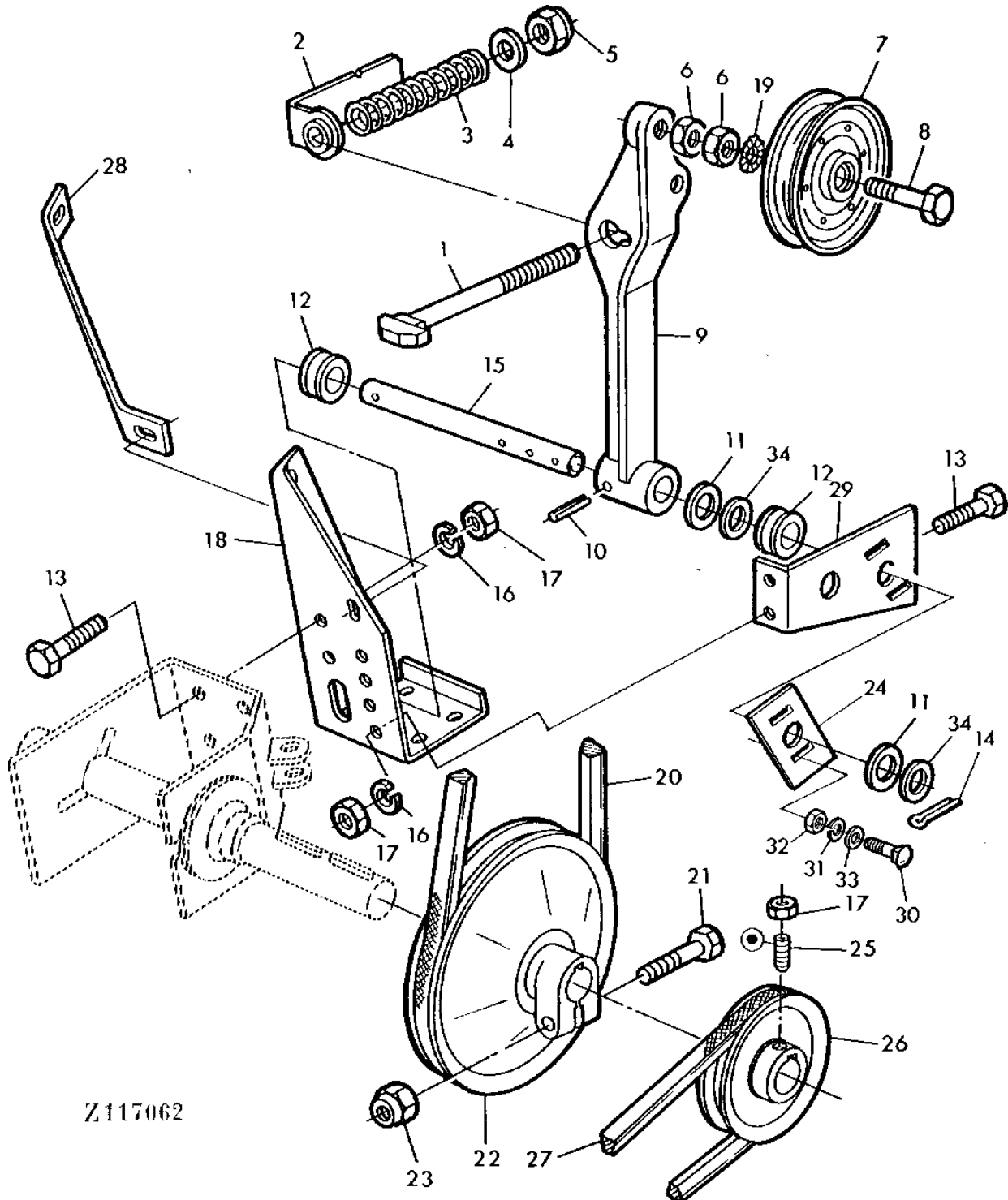
KEY	PART NO.	PART NAME	QTY	SERIAL NO.	4 4 4 3 4 5 3 H 5 Y	REMARKS
1	19M7183	CAP SCREW	AR		X X	M10 X 40
2	Z46383	BUSHING	3		X X	
3	Z30769	QUILL	4		X X	
4	JD39104	BALL BEARING	2		X X	
5	AZ10020	ECCENTRIC LOCKING COLLAR	2		X X	
6	AZ19845	SET SCREW	1		X X	KIT
7	24M7040	WASHER	AR		X X	11 X 20 X 2 MM
8	12M7013	LOCK WASHER	AR		X X	10.200 MM
9	14M7140	NUT	AR		X X	M10
10	Z11699	CHAIN SPROCKET	1		X X	16 TEETH
11	Z11691	HALF SHEAVE	1		X X	
12	12M7072	LOCK WASHER	3		X X	8.400 MM
13	19M8126	SCREW	3		X X	M8 X 45
14	Z46365	BELT	1		X X	
15	40M1833	SNAP RING	2		X X	
16	L53825	O-RING	1		X X	
17	Z11694	HALF SHEAVE	1		X X	
18	JD39117	THROW-OUT BEARING	1		X X	
19	Z46372	SHAFT	1		X X	
20	49M6470	SHAFT KEY	1		X X	10 X 8 X 45 MM
21	49M4121	SHAFT KEY	2		X X	10 X 8 X 50 MM
22	AZ36951	SUPPORT	1		X X	
23	Z11693	FORK	1		X X	
24	Z24490	PIN	1		X X	
25	24M7043	WASHER	AR		X X	12 X 25 X 3 MM
26	11M7019	COTTER PIN	AR		X X	4 X 18 MM
27	03M7085	BOLT	AR		X X	M10 X 30
28	58M7006	LUBRICATION FITTING	1		X X	M8
29	19M7167	CAP SCREW	AR		X X	M10 X 25

4D15

SEPARATOR

Z117062 -UN-01JAN94

DRIVE PARTS - SEPARATOR AND FAN



Z117062

4D16

SEPARATOR

DRIVE PARTS - SEPARATOR AND FAN - CONTINUED

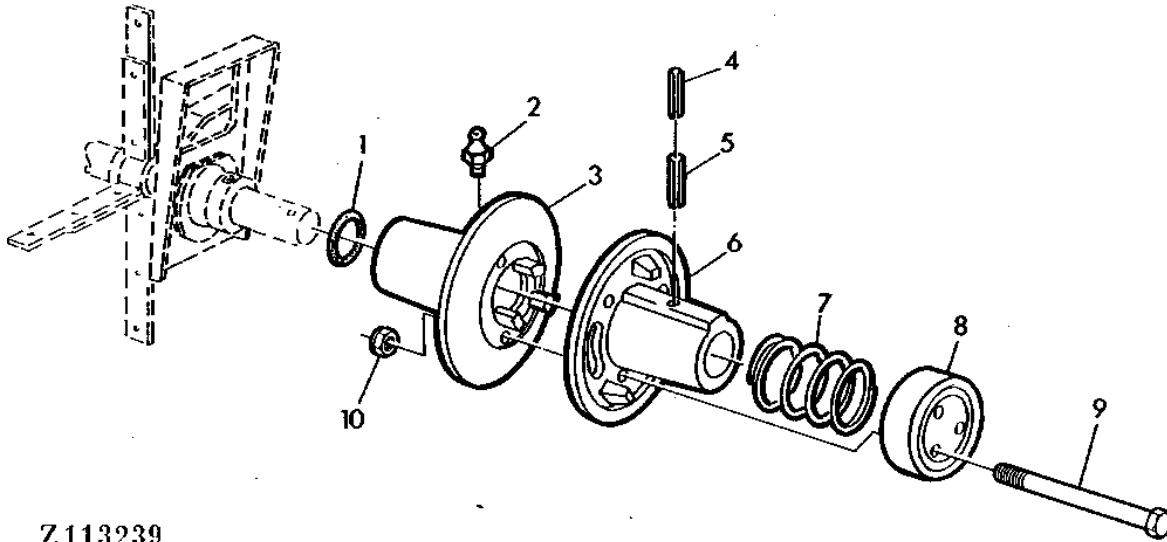
KEY	PART NO.	PART NAME	QTY	SERIAL NO.	4 4 4 3 4 5 3 H 5 Y	REMARKS
1	Z46375	BOLT	1		X X	
2	Z46373	POINTER	1		X X	
3	L20624	SPRING	1		X X	
4	L18519	WASHER	1		X X	
5	14M7167	LOCK NUT	AR		X X	M10
6	14M7260	NUT	2		X X	M16
7	AH97031	SHEAVE	1		X X	
8	19M7399	CAP SCREW	1		X X	M16 X 85
9	Z11807	LEVER	1		X X	
10	34M7062	SPRING PIN	1		X X	5 X 32 MM
11	24M7049	WASHER	AR		X X	17.500 X 30 X 3 MM
12	Z47840	BUSHING	2		X X	
13	19M7167	CAP SCREW	AR		X X	M10 X 25
14	11M7021	COTTER PIN	1		X X	4 X 25 MM
15	Z51843	PIN	1		X X	
16	12M7013	LOCK WASHER	AR		X X	10.200 MM
17	14M7140	NUT	AR		X X	M10
18	Z46360	RETAINER	1		X X	
19	12M7052	LOCK WASHER	1		X X	17 MM
20	Z46366	BELT	1		X X	3188MM(125.51") LONG
21	19M7332	CAP SCREW	1		X X	M12 X 85
22	AZ36950	PULLEY	1		X X	
23	14M7168	LOCK NUT	1		X X	M12
24	Z51204	STRAP	1		X X	
25	22M7147	SET SCREW	2		X X	M10 X 16
26	AZ40306	SHEAVE	1		X X	
27	Z47912	BELT	1		X X	2388MM(94.02") LONG
28	Z51150	BRACE	1		X X	
29	Z52537	ANGLE	1		X X	
30	03M7135	BOLT	2		X X	M8 X 25
31	12M7008	LOCK WASHER	2		X X	8.100 MM
32	14M7029	NUT	2		X X	M8
33	24M7179	WASHER	2		X X	8.400 X 24 X 2 MM
34	24M5783	WASHER	2		X X	17 X 24 X 1 MM

4D17

SEPARATOR

Z113239 -UN-01JAN94

LOWER FAN VARIABLE SHEAVES



Z113239

KEY	PART NO.	PART NAME	QTY	SERIAL NO.	REMARKS
				4	
				4	
				4 3	
				4 5	
				3 H	
				5 Y	
1	L53825	O-RING	1	X X	
2	58M7004	LUBRICATION FITTING	1	X X	M6 X1
3	Z11692	HALF SHEAVE	1	X X	
4	34M7044	SPRING PIN	1	X X	6 X 50 MM
5	34M7054	SPRING PIN	1	X X	10 X 50 MM
6	Z11695	HALF SHEAVE	1	X X	
7	Z46371	COMPRESSION SPRING	1	X X	
8	Z46367	COVER	1	X X	
9	Z46379	BOLT	3	X X	
10	14M7166	LOCK NUT	3	X X	M8

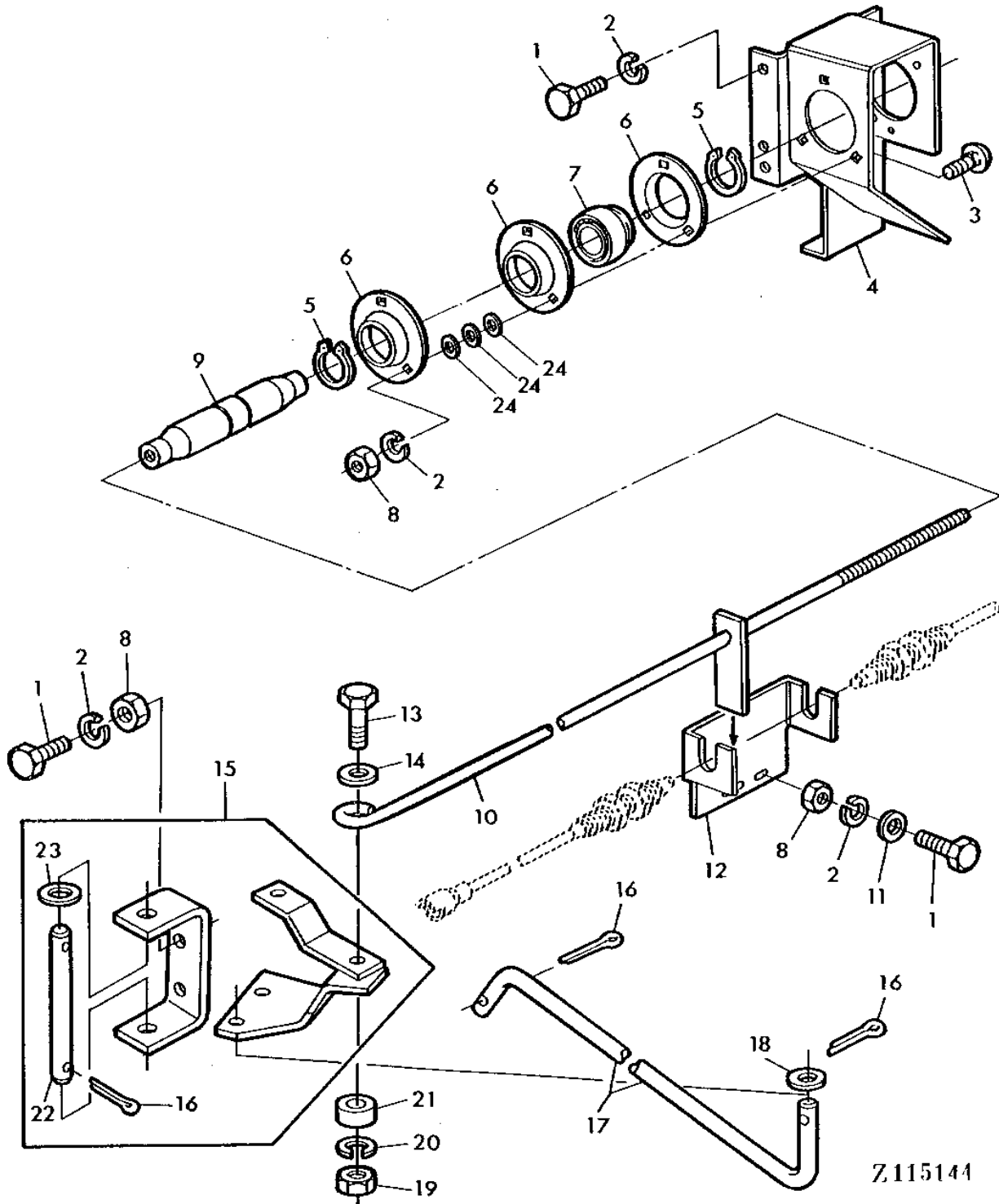
MEMORANDA

4D18

SEPARATOR

Z115144 -UN-01JAN94

CLEANING FAN-ADJUSTING ROD



Z115144

4D19

SEPARATOR

CLEANING FAN-ADJUSTING ROD - CONTINUED

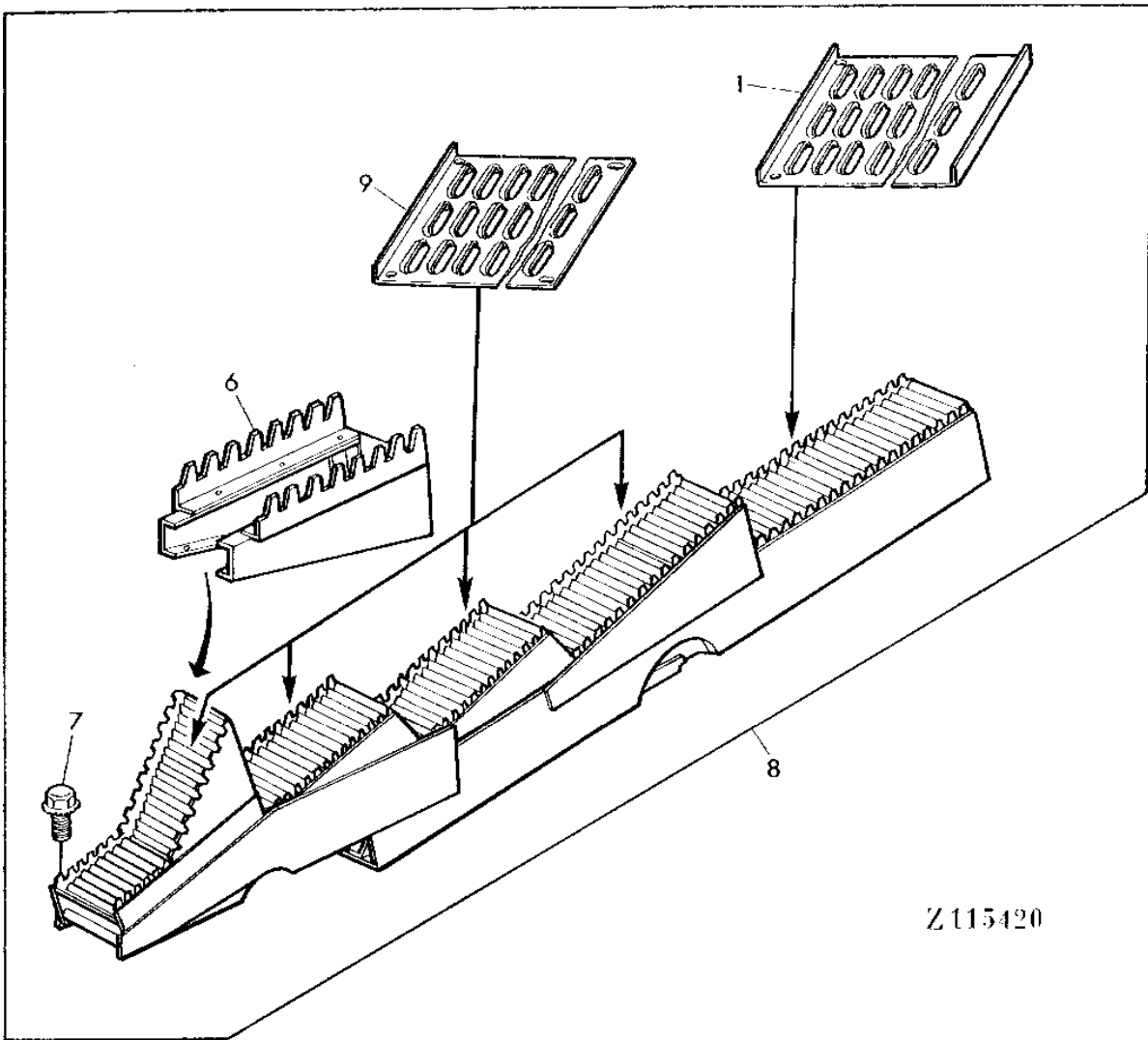
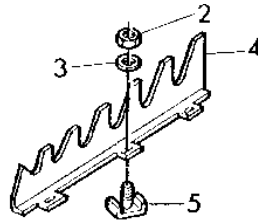
KEY	PART NO.	PART NAME	QTY	SERIAL NO.	4 4 4 3 4 5 3 H 5 Y	REMARKS
1	19M7139	CAP SCREW	AR		X X	M8 X 20
2	12M7008	LOCK WASHER	AR		X X	8.100 MM
3	03M7093	BOLT	AR		X X	M8 X 25
4	AZ37286	BRACKET	1		X X	
5	40M1828	SNAP RING	2		X X	25 X 1,2MM
6	P47232	PRESSED FLANGED HOUSING	3		X X	
7	JD39102	BALL BEARING	1		X X	
8	14M7029	NUT	AR		X X	M8
9	Z46673	TUBE	1		X X	
10	AZ37284	ADJUSTER	1		X X	
11	24M7036	WASHER	AR		X X	9 X 16 X 1.600 MM
12	Z52014	HOLDER	1		X X	
13	19M7382	CAP SCREW	AR		X X	M10 X 40
14	24M7101	WASHER	AR		X X	11 X 34 X 3 MM
15	AZ35640	LEVER	1		X X	
16	11M7013	COTTER PIN	AR		X X	3.200 X 18 MM
17	Z46382	ROD	1		X X	
18	24M7040	WASHER	AR		X X	11 X 20 X 2 MM
19	14M7140	NUT	AR		X X	M10
20	12M7013	LOCK WASHER	AR		X X	10.200 MM
21	Z45089	BUSHING	1		X X	
22	Z44733	PIN	1		X X	
23	24M7106	WASHER	AR		X X	10 X 18 X 2.500 MM
24	24M7055	WASHER	AR		X X	8.400 X 16 X 1.600 MM

4D20

SEPARATOR

Z115420 -UN-01JAN94

STRAW WALKER



Z115420

4D21

SEPARATOR

STRAW WALKER - CONTINUED

KEY	PART NO.	PART NAME	QTY	SERIAL NO.	4 4 4 3 4 5 3 H 5 Y	REMARKS
1	Z48103	STRAW WALKER GRID	2		X X	
2	14M7165	LOCK NUT	AR		X X	
3	Z26250	WASHER	AR		X X	
4	Z42876	FISHBACK	4		X X	(SUB Z53399)
	Z53399	FISHBACK	4		X X	
5	AZ13818	ANCHOR	12		X X	
6	AZ40080	STRAW WALKER	1		X X	
7	Z47790	SCREW	52		X X	
8	AZ38376	STRAW WALKER	4	-058552	X X	(SUB AZ45562) (ALSO ORDER AZ45725)
9	Z36520	STRAW WALKER GRID	4		X X	

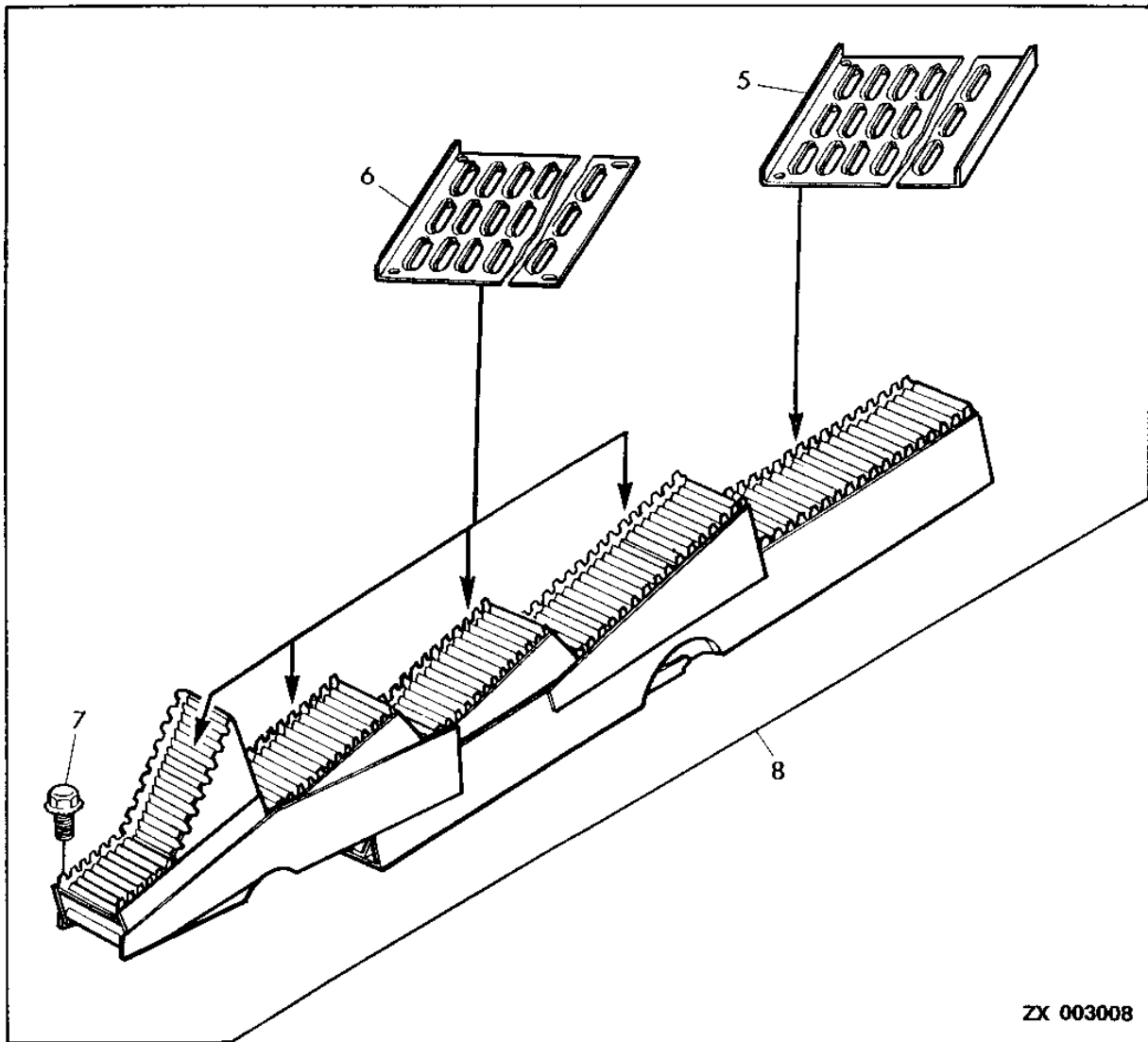
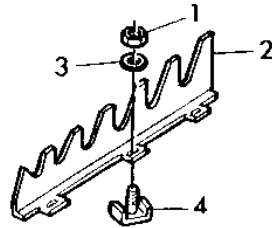
4D22

SEPARATOR

ZX003008

-UN-01JAN94

STRAW WALKER



ZX 003008

4D23

SEPARATOR

STRAW WALKER - CONTINUED

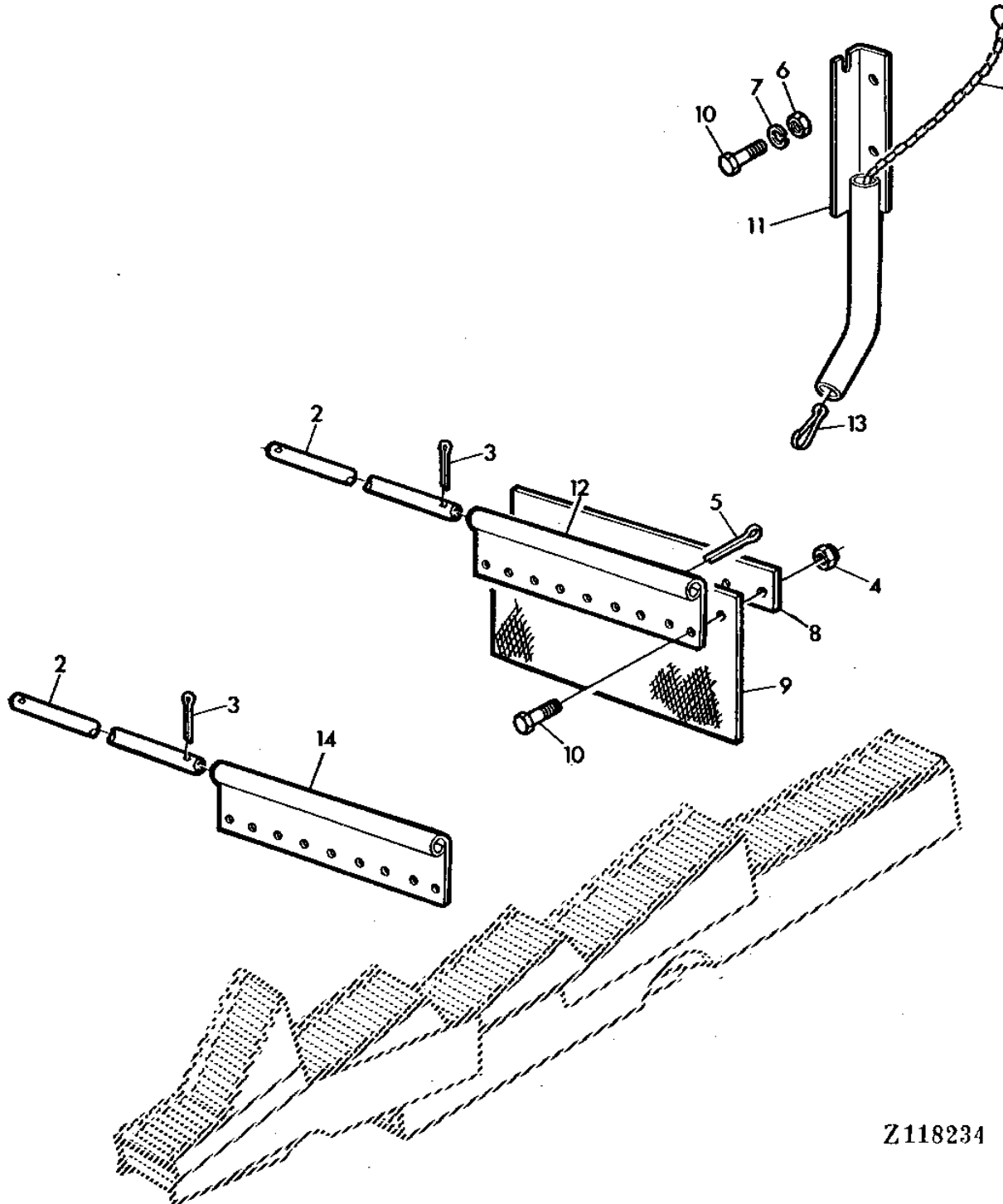
KEY	PART NO.	PART NAME	QTY	SERIAL NO.	4 4 4 3 4 5 3 H 5 Y	REMARKS
1	14M7165	LOCK NUT	AR		X X	M6
2	Z53399	FISHBACK	4		X X	
3	Z26250	WASHER	AR		X X	
4	AZ13818	ANCHOR	12		X X	
5	Z48103	STRAW WALKER GRID	1		X X	
6	Z36520	STRAW WALKER GRID	4		X X	
7	Z47790	SCREW	52		X X	
8	AZ45562	STRAW WALKER	4	058553-	X X	(SUB FOR AZ38376, AZ42449)

4D24

SEPARATOR

Z118234 -UN-01JAN94

CURTAIN



Z118234

4D25

SEPARATOR

CURTAIN - CONTINUED

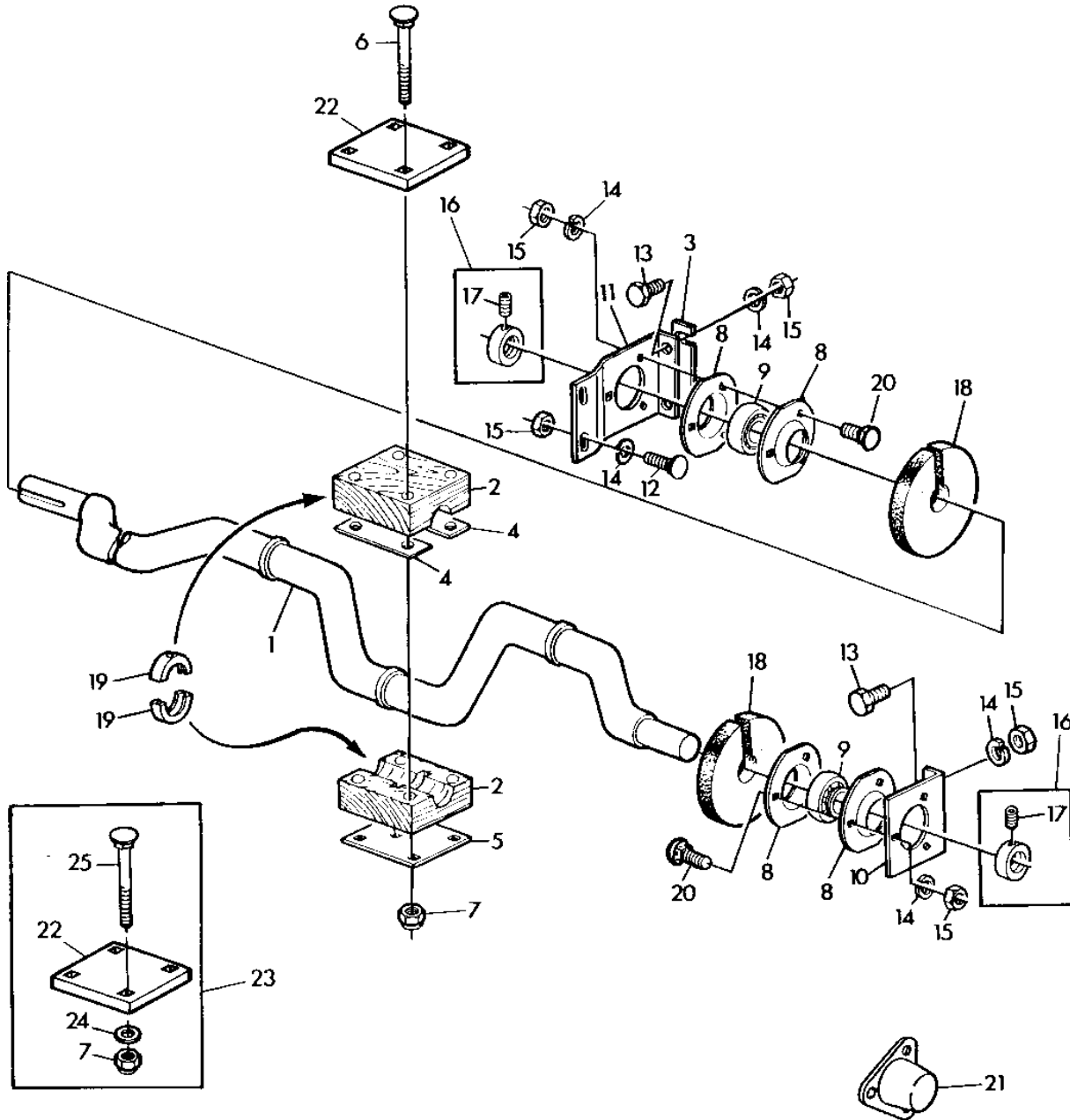
KEY	PART NO.	PART NAME	QTY	SERIAL NO.	4 4 4 3 4 5 3 H 5 Y	REMARKS
1	AZ25390	LINK CHAIN	1		X X	
2	Z20060	PIN	2		X X	
3	11M7013	COTTER PIN	4		X X	3.200 X 18 MM
4	14M7165	LOCK NUT	6		X X	M6
5	11M7037	COTTER PIN	1		X X	6.300 X 36 MM
6	14M7027	NUT	AR		X X	M6
7	12M7012	LOCK WASHER	AR		X X	6.100 MM
8	Z20058	STRAP	1		X X	
9	Z35497	LIMIT CURTAIN	1		X X	
10	19M7159	CAP SCREW	6		X X	M6 X 15
11	AZ24904	GUIDE	1		X X	
12	Z39035	HOLDER	1		X X	
13	99M7039	HOOK	1		X X	
14	Z39035	HOLDER	1		X X	FRONT

4E1

SEPARATOR

ZX003009 -UN-01JAN94

STRAW WALKER CRANKSHAFT, FRONT



ZX 003009

4E2

SEPARATOR

STRAW WALKER CRANKSHAFT, FRONT - CONTINUED

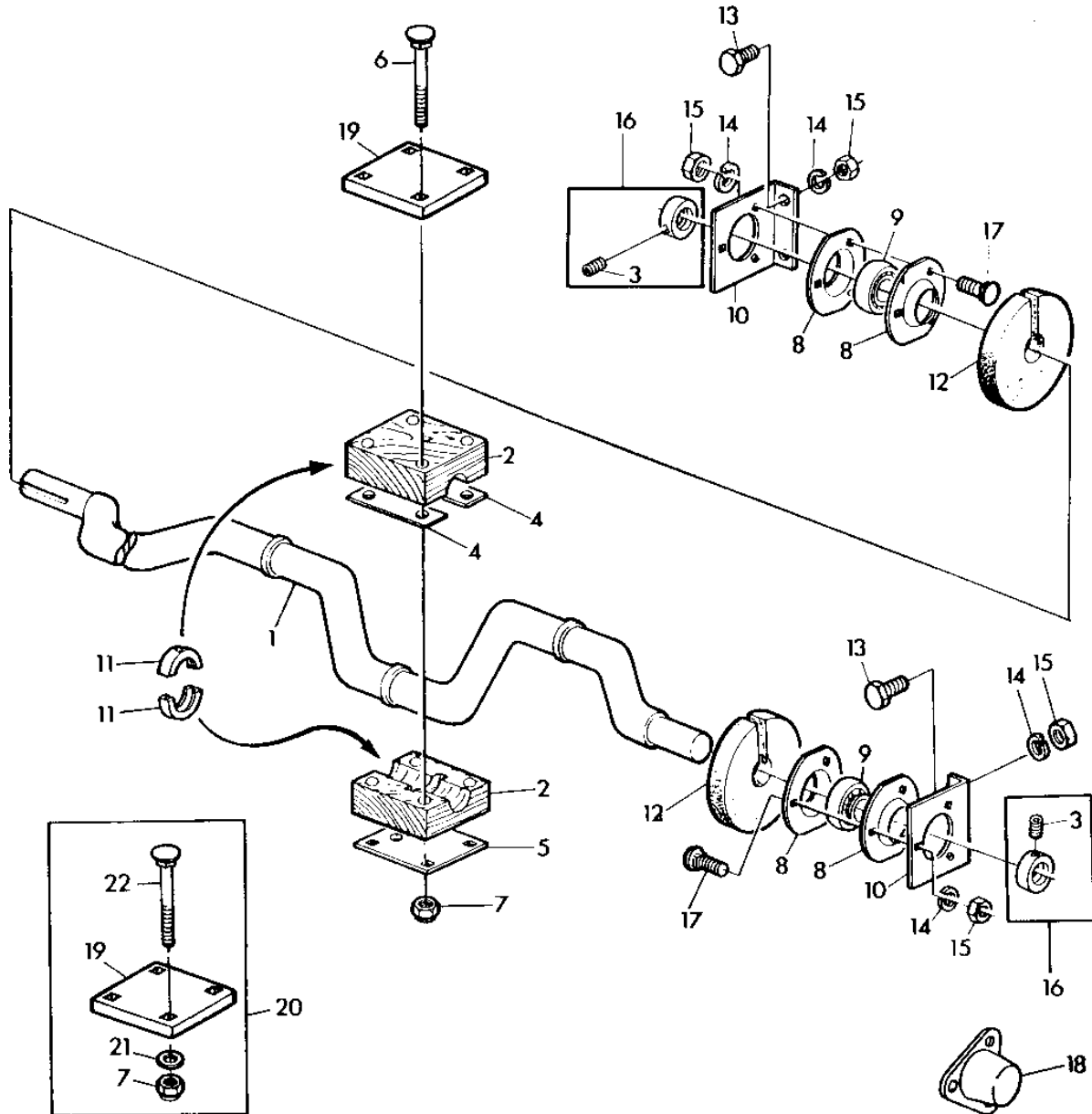
KEY	PART NO.	PART NAME	QTY	SERIAL NO.	4 4 4 3 4 5 3 H 5 Y	REMARKS
1	AZ42177	CRANKSHAFT	1		X X	
2	AZ31217	BEARING	4	-058552	X X	KIT, INCL.KEY 19
3	Z24983	STRAP	AR		X X	
4	Z40787	SHIM	AR	-058552	X X	
5	Z52070	PLATE	4	-058552	X X	
6	Z40205	BOLT	16	-058552	X X	
7	14M7167	LOCK NUT	16		X X	M10
8	Z38395	PRESSED FLANGED HOUSING	4		X X	
9	JD39103	BALL BEARING	2		X X	
10	Z20051	BRACKET	1		X X	
11	Z43584	BRACKET	1		X X	
12	03M7088	BOLT	AR		X X	M10 X 20
13	19M7167	CAP SCREW	AR		X X	M10 X 25
14	12M7013	LOCK WASHER	AR		X X	10.200 MM
15	14M7140	NUT	AR		X X	M10
16	AZ10045	ECCENTRIC LOCKING COLLAR	2		X X	
17	AZ19844	SET SCREW	2		X X	KIT
18	Z22701	FOAM PAD	2		X X	
19	Z39428	BEARING	8		X X	
20	03M7017	BOLT	AR		X X	M10 X 25
21	Z38380	GUARD	1		X X	AR
22	Z57829	PLATE	4	-058552	X X	
23	AZ45725	KIT	1	-058552	X X	(INCLUDES Z57829,(4)14M7167,(4)19M7668 AND (4)24M7040)
24	24M7040	WASHER	4	-058552	X X	11 X 20 X 2 MM
25	19M7668	CAP SCREW	4	-058552	X X	M10 X 100

4E3

SEPARATOR

ZX003010 -UN-01JAN94

STRAW WALKER CRANKSHAFT, REAR



ZX 003010

4E4

SEPARATOR

STRAW WALKER CRANKSHAFT, REAR - CONTINUED

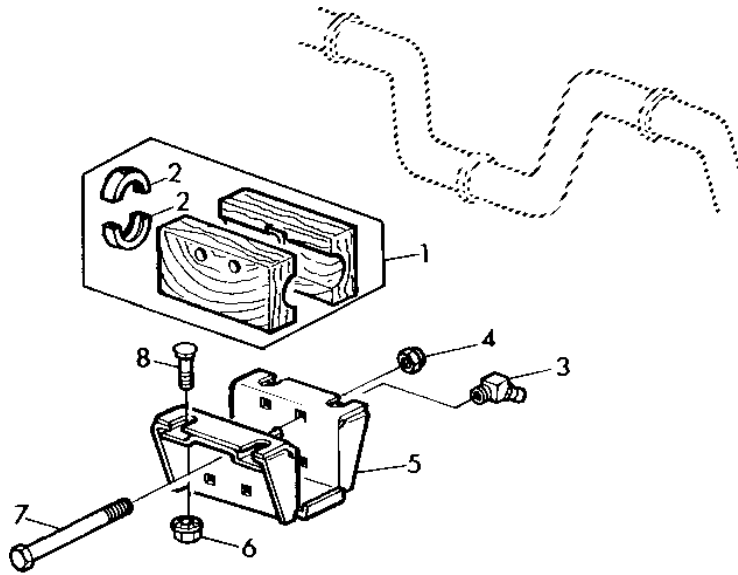
KEY	PART NO.	PART NAME	QTY	SERIAL NO.	4 4 4 3 4 5 3 H 5 Y	REMARKS
1	AZ36245	CRANKSHAFT	1		X X	
2	AZ31217	BEARING	4	-058552	X X	KIT, INCL.KEY 11 KIT
3	AZ19844	SET SCREW	2		X X	
4	Z40787	SHIM	AR	-058552	X X	
5	Z52070	PLATE	4	-058552	X X	
6	Z40205	BOLT	16	-058552	X X	
7	14M7167	LOCK NUT	16		X X	M10
8	Z38395	PRESSED FLANGED HOUSING	4		X X	
9	JD39103	BALL BEARING	2		X X	
10	Z20051	BRACKET	2		X X	
11	Z39428	BEARING	8		X X	
12	Z22701	FOAM PAD	2		X X	
13	19M7167	CAP SCREW	AR		X X	M10 X 25
14	12M7013	LOCK WASHER	AR		X X	
15	14M7140	NUT	AR		X X	M10
16	AZ10045	ECCENTRIC LOCKING COLLAR	2		X X	
17	03M7017	BOLT	AR		X X	M10 X 25
18	Z38380	GUARD	1		X X	
19	Z57829	PLATE	4	-058552	X X	
20	AZ45725	KIT	1	-058552	X X	(INCLUDES Z57829,(4)14M7167,(4)19M7668 AND (4)24M7040)
21	19M7668	CAP SCREW	1	-058552	X X	M10 X 100
22	24M7040	WASHER	1	-058552	X X	11 X 20 X 2 MM

4E5

SEPARATOR

ZX001997 -UN-01JAN94

STRAW WALKER BEARING



ZX001997

4
4
4 3
4 5
3 H
5 Y

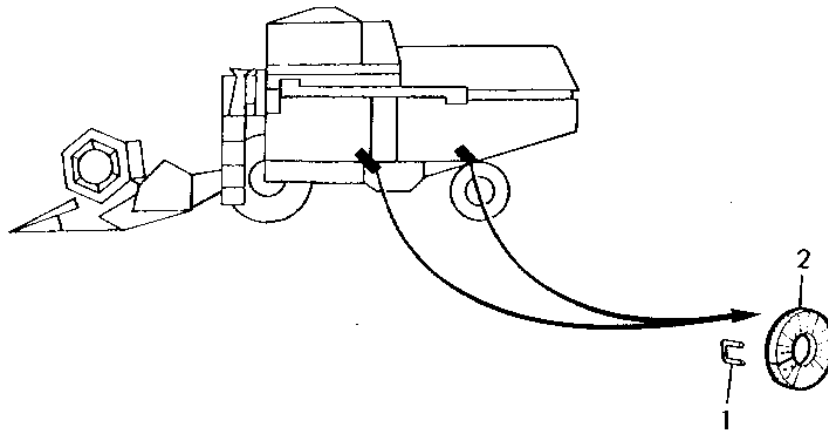
KEY	PART NO.	PART NAME	QTY	SERIAL NO.	REMARKS
1	AZ45586	BEARING	8	058553-	X X (KIT)
2	Z39428	GUIDE	2	058553-	X X
3	58M7007	LUBRICATION FITTING	8	058553-	X X
4	14M7166	LOCK NUT	AR	058553-	X X M8
5	Z56208	SUPPORT	8	058553-	X X
6	14M7400	LOCK NUT	AR	058553-	X X
7	19M7325	CAP SCREW	AR	058553-	X X M8 X 80
8	03M7017	BOLT	AR	058553-	X X M10 X 25

4E6

SEPARATOR

Z111484 -UN-01JAN94

GUARDS LEFT-HAND



Z111484

4
4
4 3
4 5
3 H
5 Y

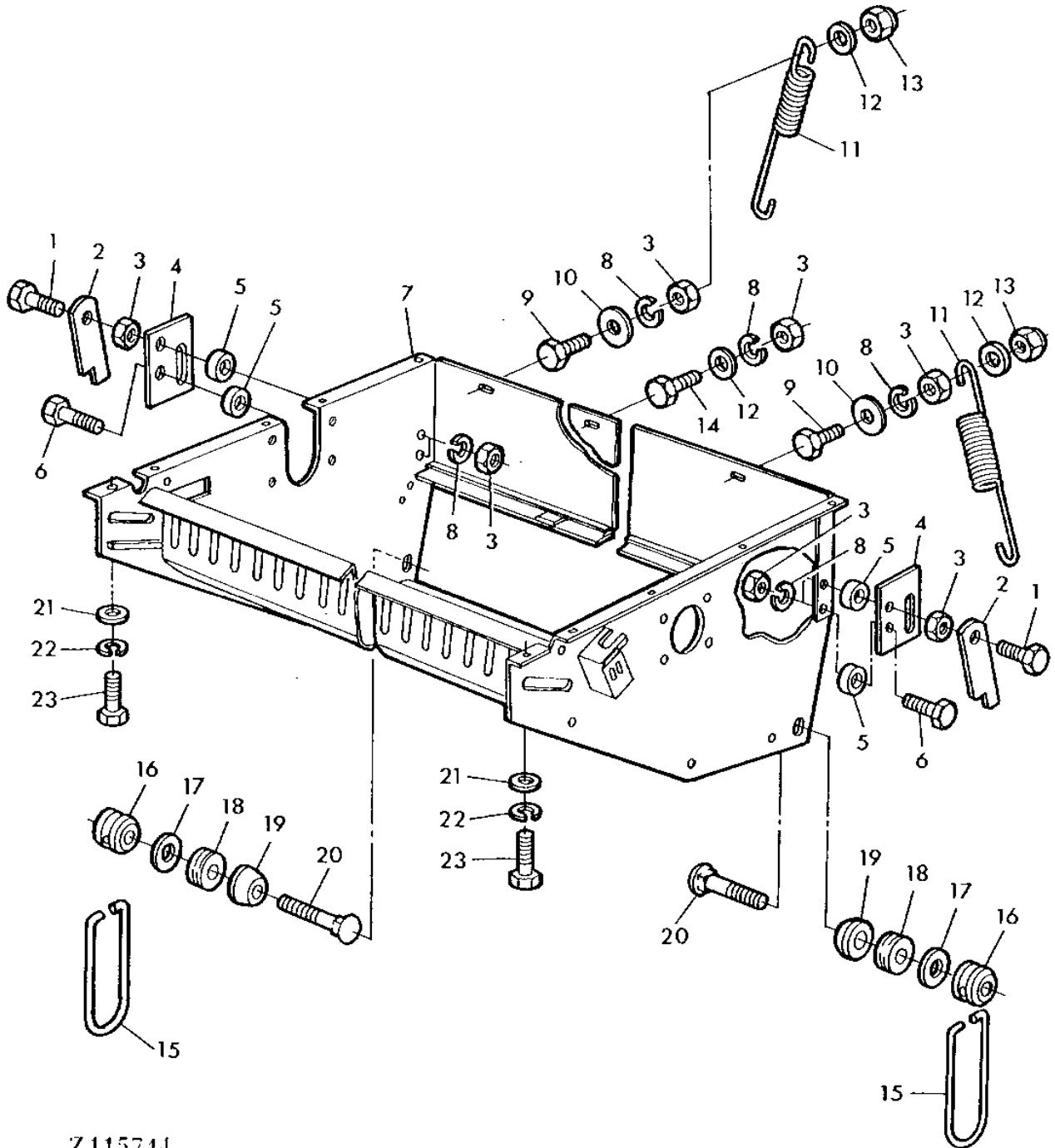
KEY	PART NO.	PART NAME	QTY	SERIAL NO.	REMARKS
1	Z91612	NAIL	AR		X X
2	Z22622	GUARD	1		X X O.D.=190MM (7.48")
	Z22621	GUARD	2		X X O.D.=140MM (5.51")

4E7

SEPARATOR

Z115744 -UN-01JAN94

STRAW CHOPPER HOUSING



Z115744

4E8

SEPARATOR

STRAW CHOPPER HOUSING - CONTINUED

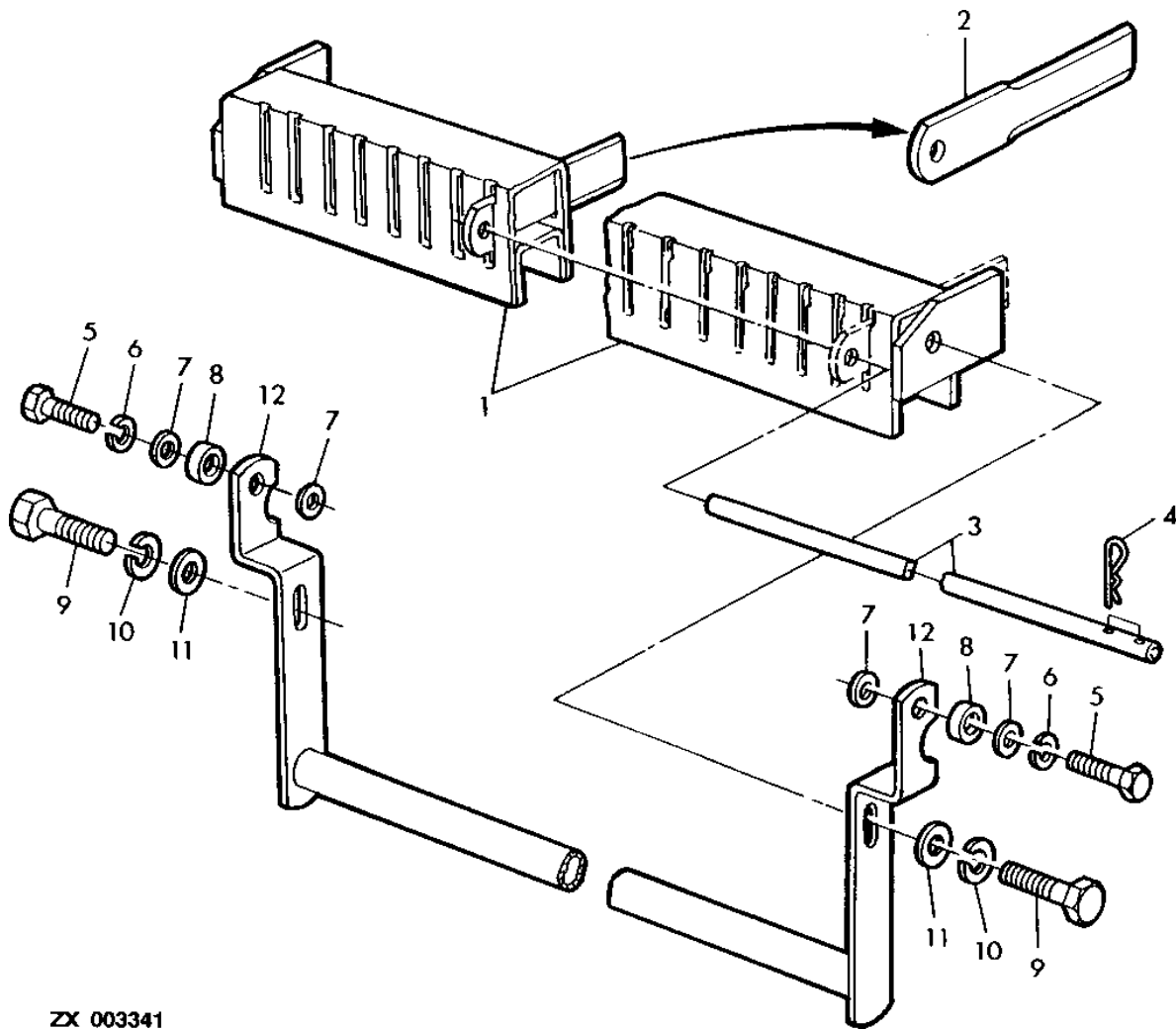
KEY	PART NO.	PART NAME	QTY	SERIAL NO.	4 4 4 3 4 5 3 H 5 Y	REMARKS
1	19M7164	CAP SCREW	AR		X X	M8 X 50
2	Z47725	STRAP	2		X X	
3	14M7029	NUT	AR		X X	M8
4	Z47726	HOLDER	2		X X	
5	Z20701	WASHER	4		X X	
6	19M7301	CAP SCREW	AR		X X	M8 X 40
7	AZ37986	CASE	1		X X	(SUB AZ44038)
	AZ44038	CASE	1		X X	
8	12M7008	LOCK WASHER	AR		X X	8.100 MM
9	19M7298	CAP SCREW	AR		X X	M8 X 35
10	24M7024	WASHER	AR		X X	9 X 28 X 3 MM
11	Z47715	SPRING	2		X X	
12	24M7037	WASHER	AR		X X	9 X 16 X 2 MM
13	14M7166	LOCK NUT	AR		X X	M8
14	19M7163	CAP SCREW	AR		X X	M8 X 25
15	Z35314	BAIL	2		X X	
16	Z35313	NUT	2		X X	
17	24M7102	WASHER	2		X X	13.500 X 44 X 4 MM
18	Z35271	BUSHING	2		X X	
19	Z45975	WASHER	2		X X	
20	03M7109	BOLT	2		X X	M12 X 50
21	24M7028	WASHER	AR		X X	10.500 X 20 X 2 MM
22	12M7013	LOCK WASHER	AR		X X	10.200 MM
23	19M7380	CAP SCREW	AR		X X	M10 X 22

4E9

SEPARATOR

ZX003341 -UN-01JAN94

STRAW CHOPPER COUNTERKNIVES AND SUPPORT



ZX 003341

4E10

SEPARATOR

STRAW CHOPPER COUNTERKNIVES AND SUPPORT - CONTINUED

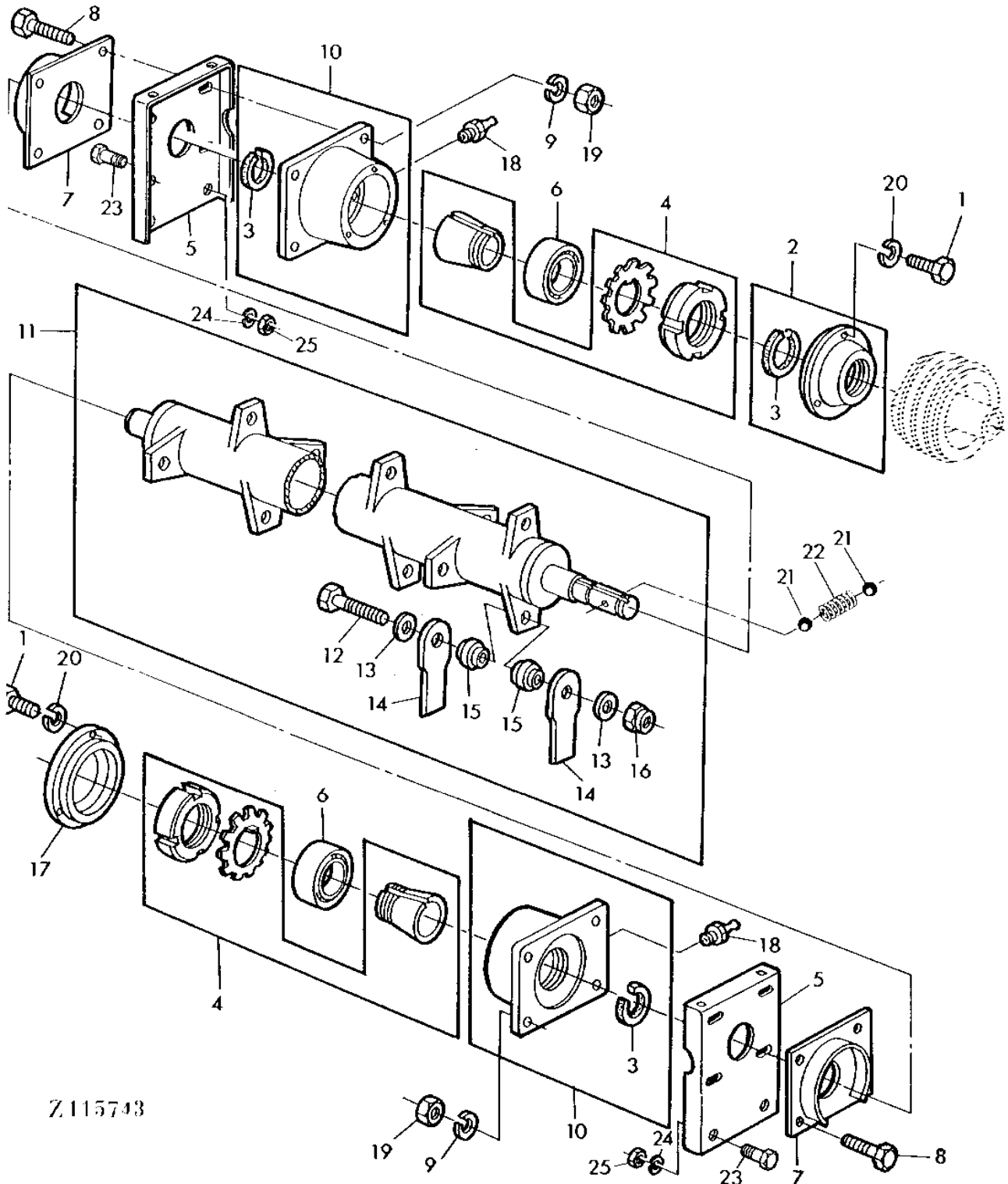
KEY	PART NO.	PART NAME	QTY	SERIAL NO.	4 4 4 3 4 5 3 H 5 Y	REMARKS
1	AZ38001	CUTTERBAR	1		X X	
2	Z35241	BLADE	39		X X	
3	Z47737	PIN	1		X X	
4	J16931	SPRING LOCKING PIN	2		X X	
5	19M7168	CAP SCREW	AR		X X	M10 X 30
6	12M7013	LOCK WASHER	AR		X X	10.200 MM
7	24M7101	WASHER	AR		X X	11 X 34 X 3 MM
8	Z20701	WASHER	2		X X	
9	19M7395	CAP SCREW	2		X X	M16 X 40
10	12M7038	LOCK WASHER	2		X X	16.500 MM
11	24M7053	WASHER	2		X X	17 X 30 X 3 MM
12	AZ38004	LEVER	1		X X	(SUB AZ44188)
	AZ44188	LEVER	1		X X	

4E11

SEPARATOR

Z115743 -UN-01JAN94

STRAW CHOPPER ROTOR AND KNIVES



4E12

SEPARATOR

STRAW CHOPPER ROTOR AND KNIVES - CONTINUED

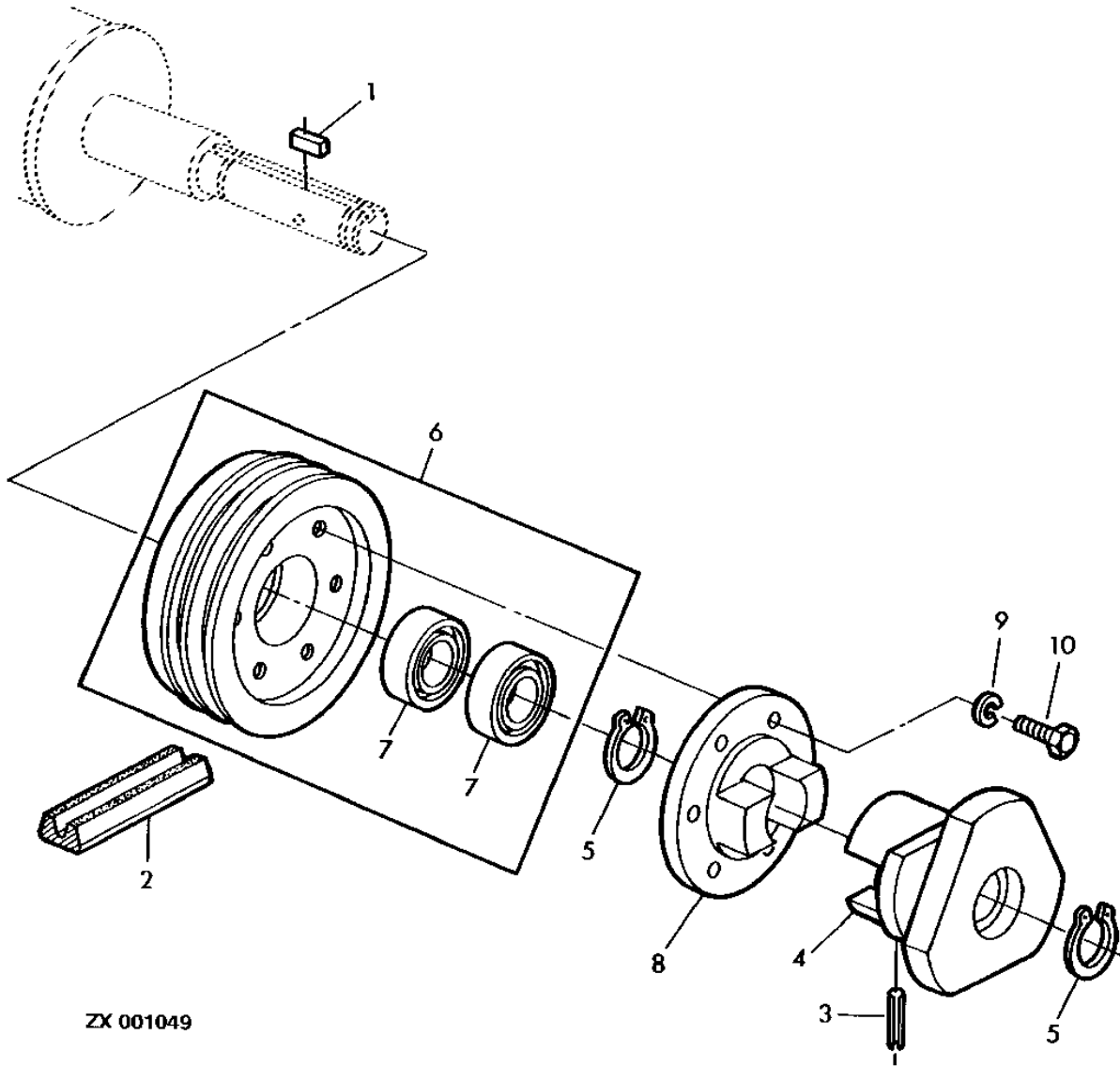
KEY	PART NO.	PART NAME	QTY	SERIAL NO.	4 4 4 3 4 5 3 H 5 Y	REMARKS
1	19M7077	CAP SCREW	AR		X X	M6 X 20
2	AZ38057	BEARING CAP	1		X X	L.H.
3	Z51244	FELT	3		X X	
4	AZ40236	SLEEVE	2		X X	
5	Z52106	STRAP	1		X X	
6	JD10436	BEARING	2		X X	
7	AZ38009	HOLDER	2		X X	
8	19M7171	CAP SCREW	6		X X	M12 X 35
9	12M7014	LOCK WASHER	AR		X X	12.200 MM
10	AZ38055	QUILL	2		X X	
11	AZ37989	ROTOR	1		X X	INCL. KEYS (2)21, 22
12	19M7658	CAP SCREW	AR		X X	M10 X 50
13	Z35217	WASHER	AR		X X	
14	Z48237	FLAIL KNIFE	44		X	(SUB Z53454)
	Z53454	FLAIL KNIFE	44		X X	
15	Z51243	SPACER	44		X X	
16	14M7455	LOCK NUT	AR		X X	M10
17	Z51087	BEARING CAP	1		X X	R.H.
18	58M7006	LUBRICATION FITTING	2		X X	
19	14M7031	NUT	AR		X X	M12
20	12M7012	LOCK WASHER	AR		X X	6.100 MM
21	Z35352	BALL	2		X X	
22	Z47740	COMPRESSION SPRING	1		X X	
23	19M7166	CAP SCREW	AR		X X	M10 X 20
24	12M7013	LOCK WASHER	AR		X X	10.200 MM
25	14M7140	NUT	AR		X X	M10

4E13

SEPARATOR

ZX001049 -UN-11JUL96

STRAW CHOPPER DRIVE PULLEY



ZX 001049

4E14

SEPARATOR

STRAW CHOPPER DRIVE PULLEY - CONTINUED

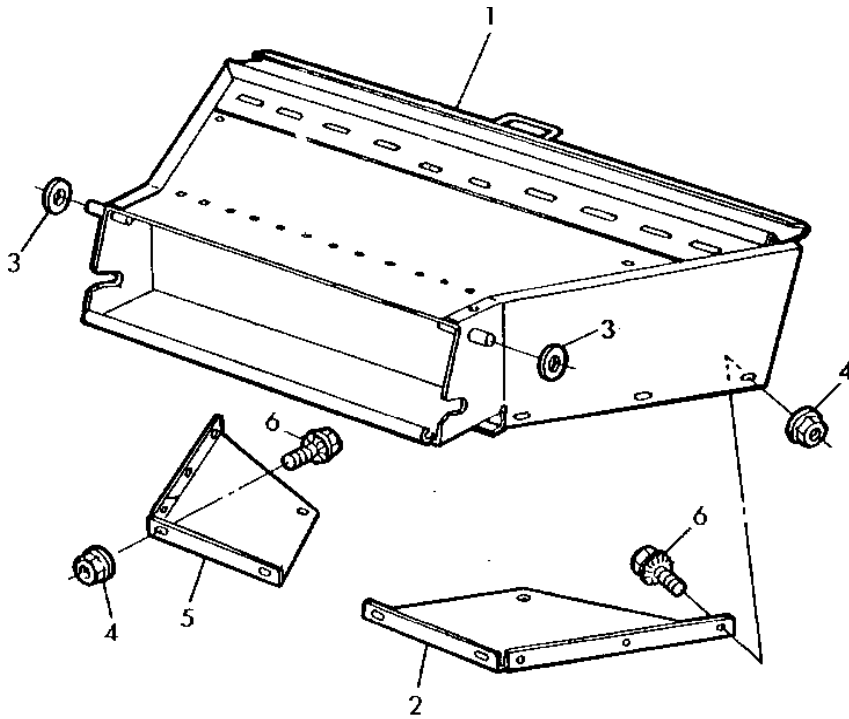
KEY	PART NO.	PART NAME	QTY	SERIAL NO.	4 4 4 3 4 5 3 H 5 Y	REMARKS
1	Z47720	STRAP	1		X X	(SUB Z55642)
	Z55642	ALIGNER	1		X X	
2	Z47763	BELT	1	-056349	X X	6970 MM (274.41") LONG
	Z55645	BELT	1	056350-	X X	7120 MM (280.31") LONG
3	34M7059	SPRING PIN	1		X X	6 X 12 MM
4	Z11799	HUB	1		X X	(SUB Z12431)
	Z12431	HUB	1		X X	
5	40M1835	SNAP RING	2		X X	40 X 1,75MM
6	AZ38058	PULLEY	1		X X	(SUB AZ44080)
	AZ44080	PULLEY	1	-056349	X X	
	AZ44079	PULLEY	1	056350-	X X	
7	JD30346	BALL BEARING	2		X X	
8	Z11800	HUB	1		X X	
9	12M7012	LOCK WASHER	AR		X X	6.100 MM
10	19M7077	CAP SCREW	AR		X X	M6 X 20

4E15

SEPARATOR

Z117064 -UN-01JAN94

STRAW CHOPPER DISTRIBUTOR HOUSING



Z117064

4E16

SEPARATOR

STRAW CHOPPER DISTRIBUTOR HOUSING - CONTINUED

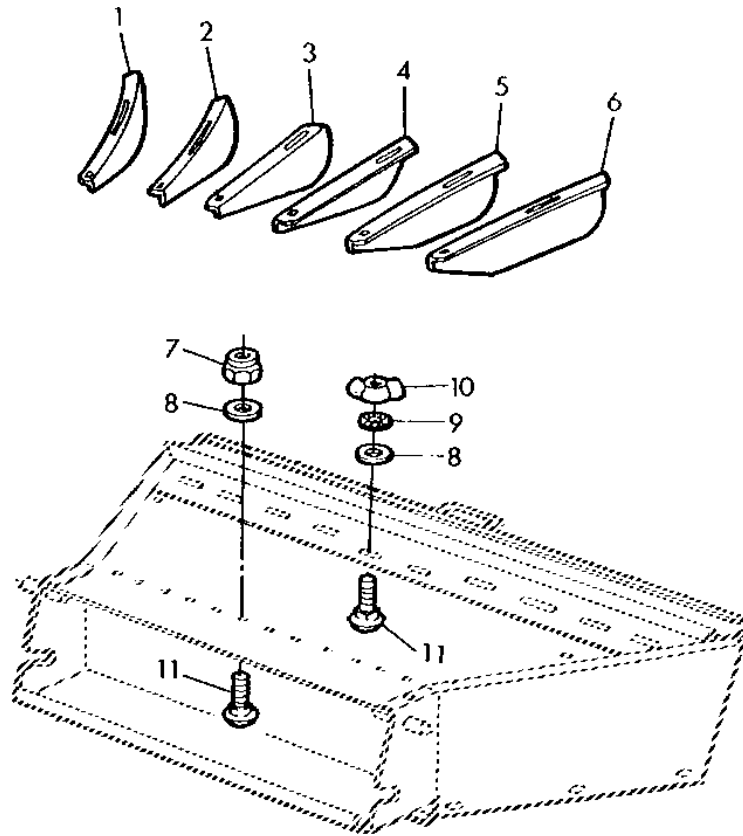
KEY	PART NO.	PART NAME	QTY	SERIAL NO.	4 4 4 3 4 5 3 H 5 Y	REMARKS
1	AZ37977	HOOD	1		X X	
2	Z47694	BOTTOM	1		X X	
3	24M7048	WASHER	AR		X X	15.500 X 28 X 2.500 MM
4	Z41039	NUT	AR		X X	
5	Z47693	BOTTOM	1		X X	
6	19M8362	CAP SCREW	AR		X X	M6 X 16

4E17

SEPARATOR

Z117065 -UN-01JAN94

STRAW CHOPPER DEFLECTORS FOR DISTRIBUTOR



Z117065

4E18

SEPARATOR

STRAW CHOPPER DEFLECTORS FOR DISTRIBUTOR - CONTINUED

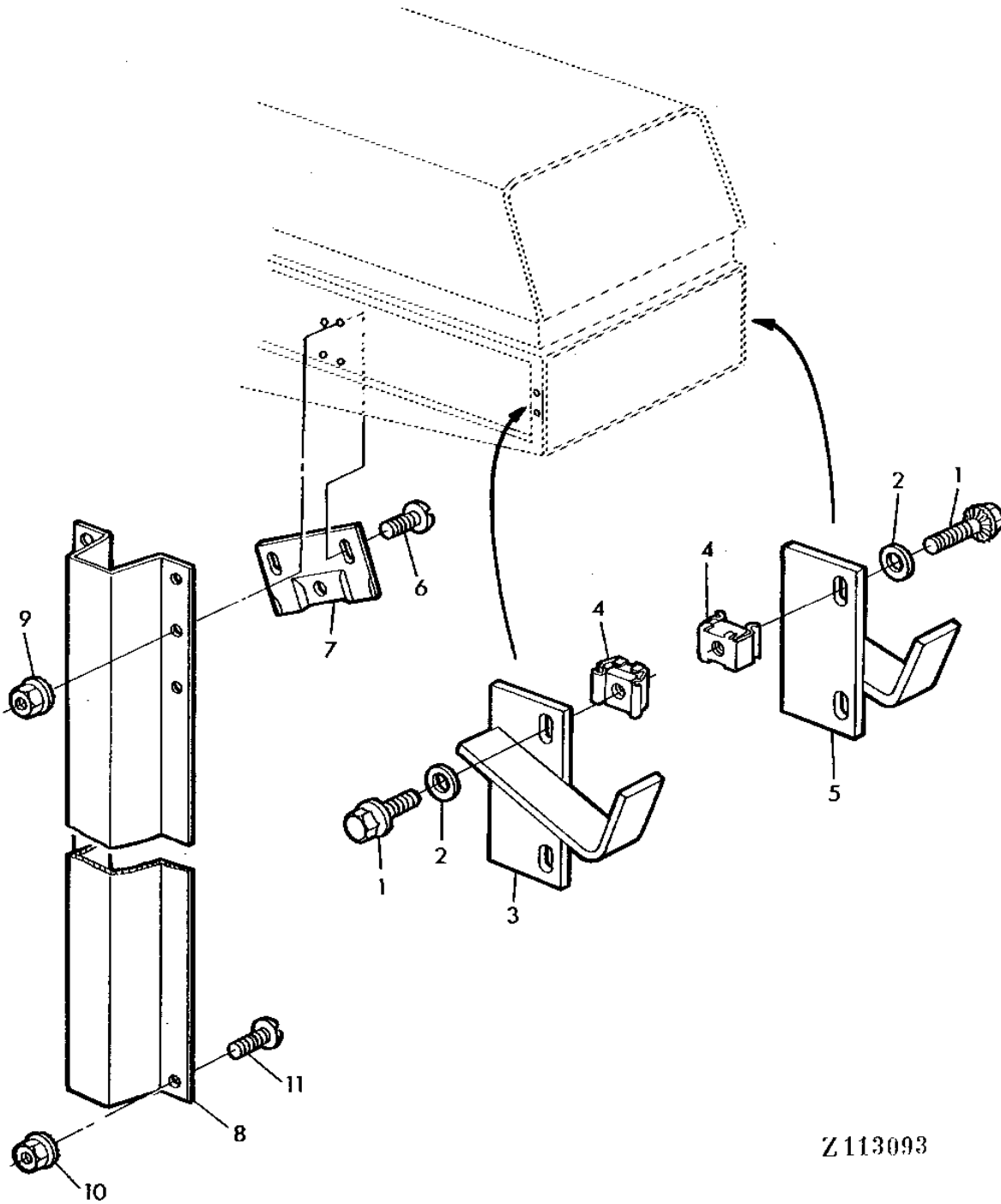
KEY	PART NO.	PART NAME	QTY	SERIAL NO.	4 4 4 3 4 5 3 H 5 Y	REMARKS
1	Z47778	DEFLECTOR	1		X X	
2	Z47776	DEFLECTOR	1		X X	
3	Z47774	DEFLECTOR	1		X X	
4	Z47775	DEFLECTOR	1		X X	
5	Z47777	DEFLECTOR	1		X X	
6	Z47779	DEFLECTOR	1		X X	
7	14M7166	LOCK NUT	AR		X X	M8
8	Z26240	WASHER	AR		X X	
9	12M7032	LOCK WASHER	AR		X X	8.400 MM
10	14M7020	WING NUT	AR		X X	M8
11	03M7128	BOLT	AR		X X	M8 X 20

4E19

SEPARATOR

Z113093 -UN-01JAN94

STRAW CHOPPER RETAINERS



Z113093

4E20

SEPARATOR

STRAW CHOPPER RETAINERS - CONTINUED

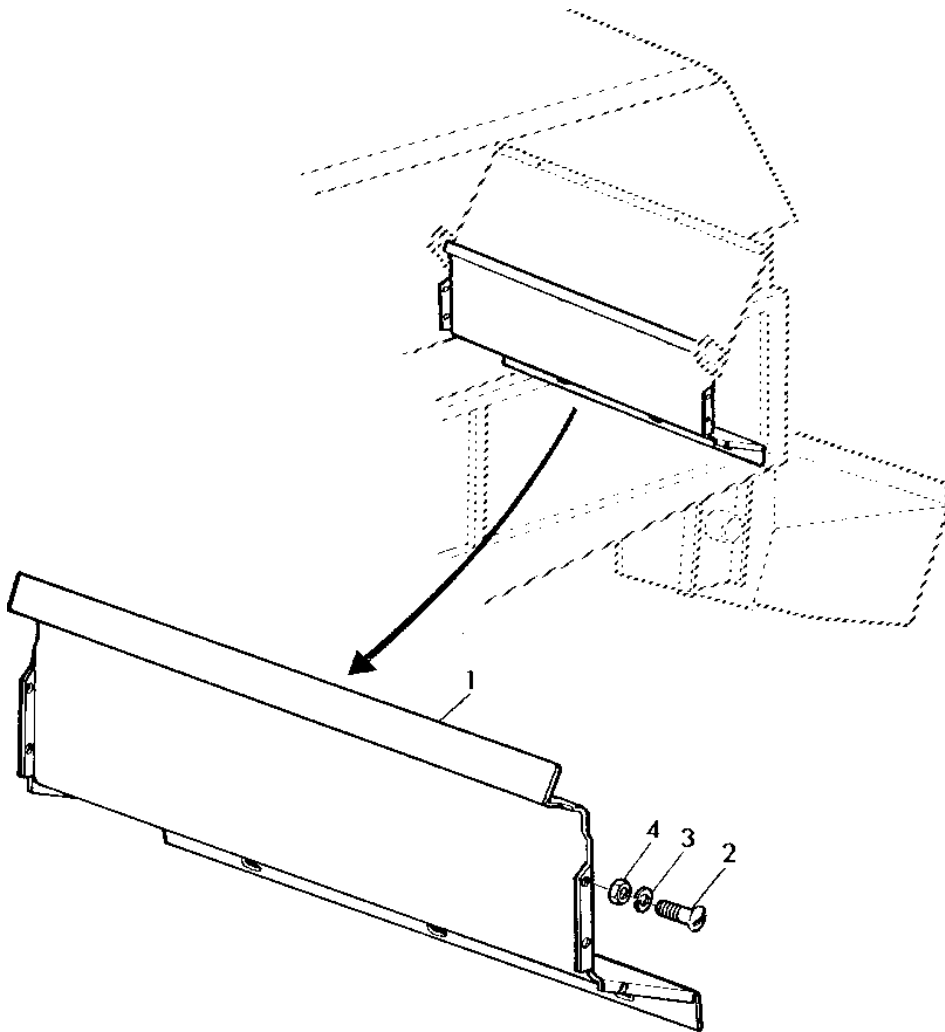
KEY	PART NO.	PART NAME	QTY	SERIAL NO.	4 4 4 3 4 5 3 H 5 Y	REMARKS
1	19M8362	CAP SCREW	AR		X X	M6 X 16
2	24M7100	WASHER	AR		X X	6.600 X 22 X 2 MM
3	AZ38008	HOLDER	1		X X	
4	AZ37622	NUT	2		X X	
5	AZ38007	HOLDER	1		X X	
6	21M7081	SCREW	AR		X X	M8 X 15
7	Z47705	PLATE	2		X X	L.H., R.H.
8	Z47697	REINFORCEMENT	2		X X	L.H., R.H.
9	14M7416	FLANGE NUT	AR		X X	M8
10	Z41039	NUT	8		X X	
11	21M7031	SCREW	AR		X X	M6 X 15

4E21

SEPARATOR

Z117066 -UN-01JAN94

STRAW CHOPPER DEFLECTOR



Z117066

4E22

SEPARATOR

STRAW CHOPPER DEFLECTOR - CONTINUED

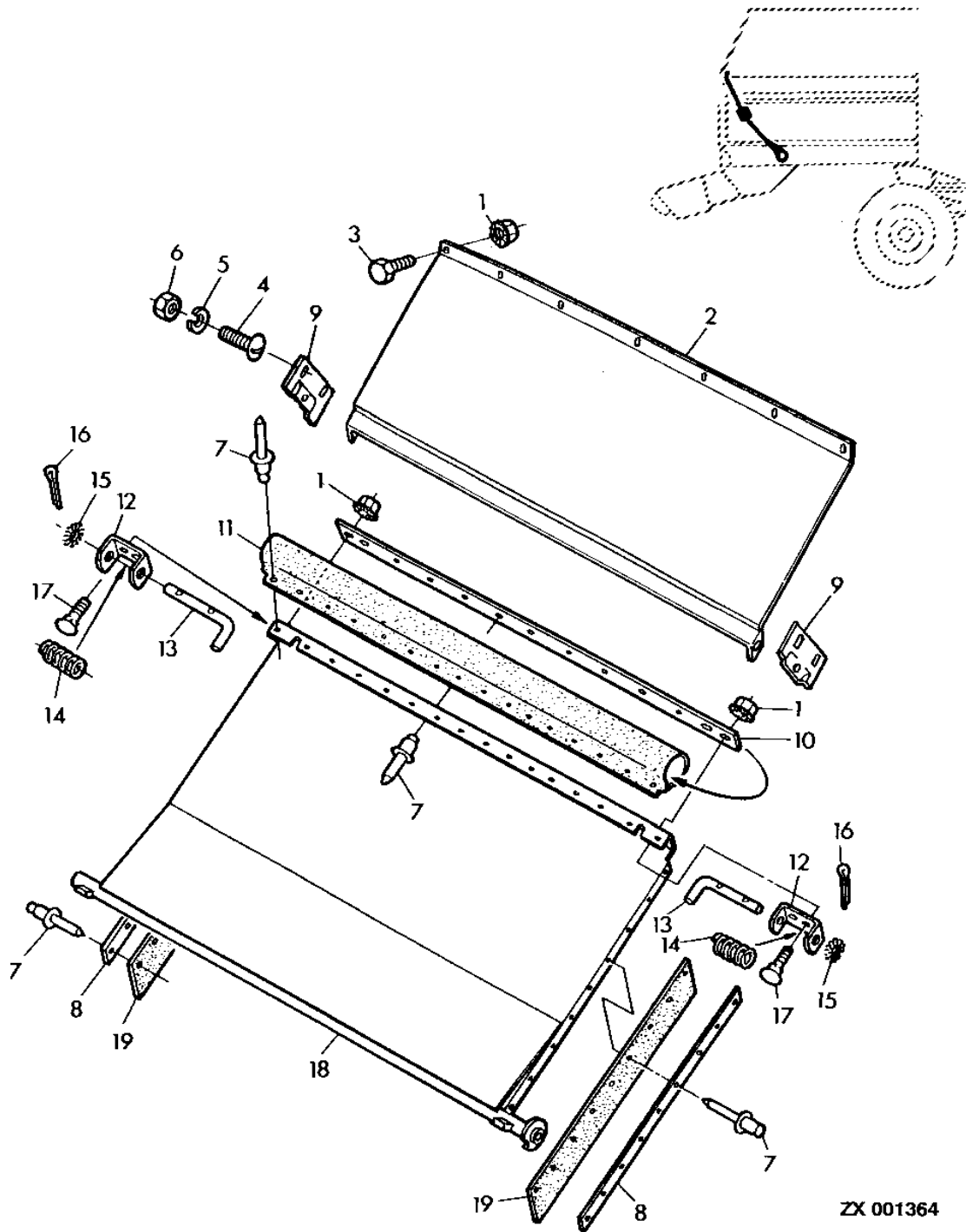
KEY	PART NO.	PART NAME	QTY	SERIAL NO.	4 4 4 3 4 5 3 H 5 Y	REMARKS
1	Z53190	DEFLECTOR	1		X X	(SUB Z56825)
	Z56825	DEFLECTOR	1		X X	
2	21M7081	SCREW	6		X X	M8 X 15
3	12M7008	LOCK WASHER	6		X X	8.100 MM
4	14M7029	NUT	6		X X	M8

4E23

SEPARATOR

ZX001364 -UN-01JAN94

STRAW CHOPPER DEFLECTOR



4E24

SEPARATOR

STRAW CHOPPER DEFLECTOR - CONTINUED

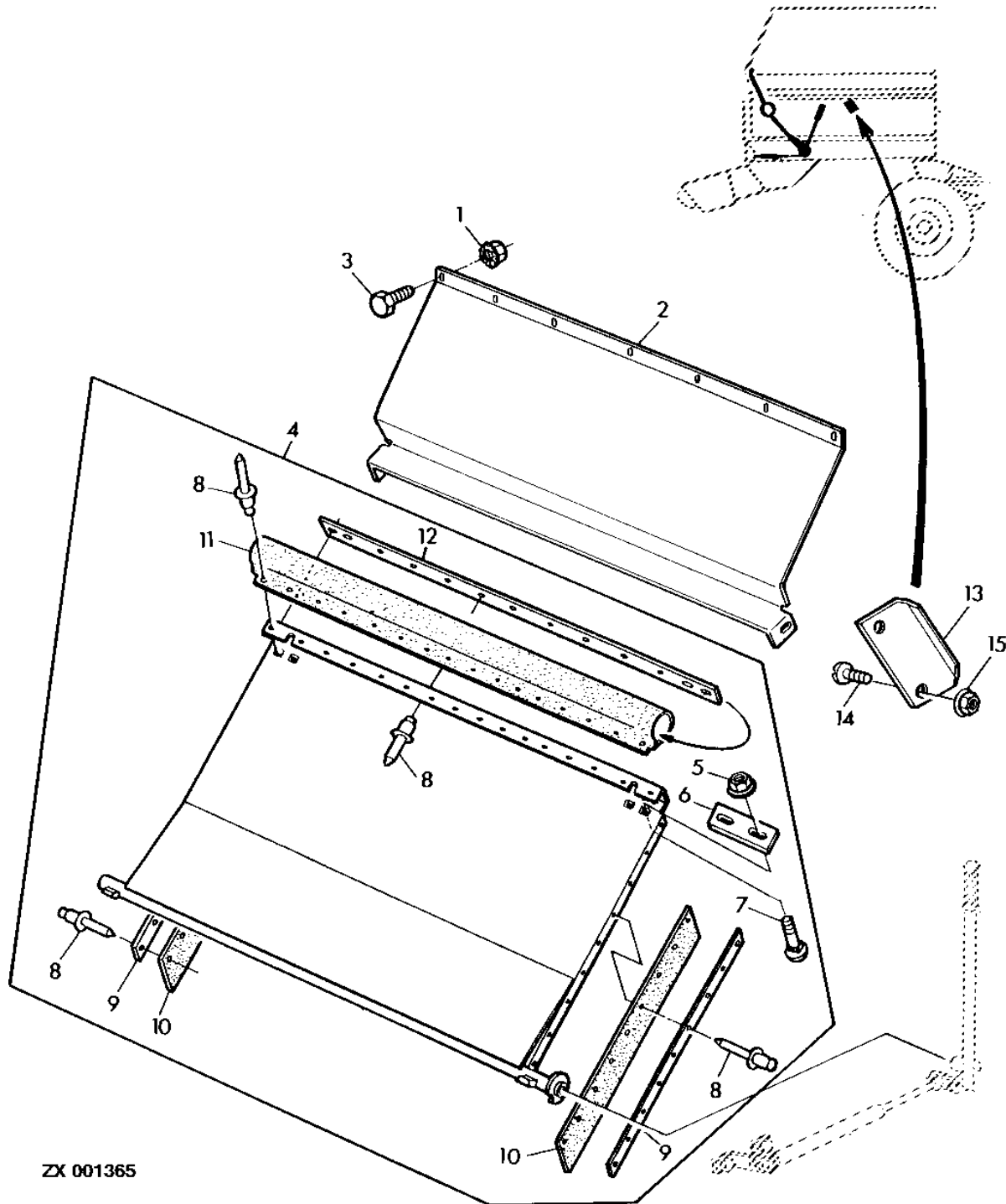
KEY	PART NO.	PART NAME	QTY	SERIAL NO.	4 4 4 3 4 5 3 H 5 Y	REMARKS
1	Z41039	NUT	AR		X X	
2	AZ41050	DEFLECTOR	1		X X	(INCL.KEY (2)9), (SUB Z56236)
	Z56236	DEFLECTOR	1		X X	
3	19M8362	CAP SCREW	AR		X X	M6 X 16
4	21M7081	SCREW	AR		X X	M8 X 15
5	12M7008	LOCK WASHER	AR		X X	8.100 MM
6	14M7029	NUT	AR		X X	M8
7	Z41861	RIVET	AR		X X	
8	Z47710	STRAP	1		X X	(FOR AZ37995)
9	Z47705	PLATE	2	-056349	X X	
10	Z47908	STRAP	1		X X	
11	Z47691	GASKET	1		X X	(FOR AZ37995)
12	Z36531	HOLDER	2		X X	
13	Z33032	LATCH	2		X X	
14	Z20127	COMPRESSION SPRING	2		X X	
15	12M7073	LOCK WASHER	AR		X X	13.700 MM
16	11M7014	COTTER PIN	AR		X X	3.200 X 22 MM
17	21M7031	SCREW	AR		X X	M6 X 15
18	AZ37995	FLAP	1		X X	(SUB AZ44184)
	AZ44184	FLAP	1		X X	ONLY FOR FIRST EXCHANGE
19	Z47711	GASKET	1		X X	(FOR AZ37995)

4F1

SEPARATOR

ZX001365 -UN-01JAN94

STRAW CHOPPER DEFLECTOR WITH LEVER ADJUSTMENT



ZX 001365

4F2

SEPARATOR

STRAW CHOPPER DEFLECTOR WITH LEVER ADJUSTMENT - CONTINUED

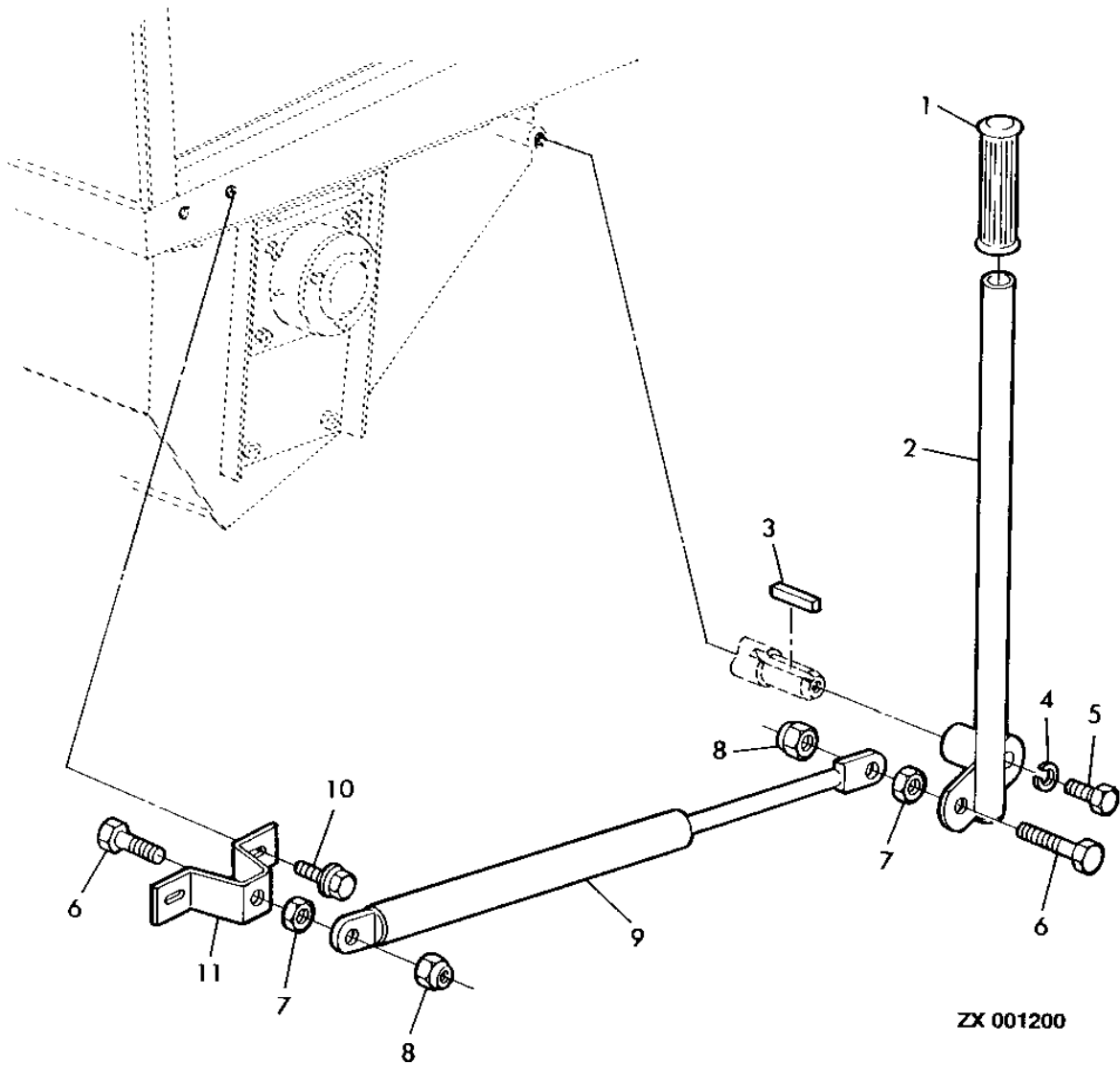
KEY	PART NO.	PART NAME	QTY	SERIAL NO.	4 4 4 3 4 5 3 H 5 Y	REMARKS
1	Z41039	NUT	AR		X X	
2	Z56236	DEFLECTOR	1		X X	
3	19M8362	CAP SCREW	AR		X X	M6 X 16
4	AZ44192	FLAP	1		X X	(SUB FOR AZ44184)
5	14M7298	FLANGE NUT	AR		X X	M8
6	Z56229	STRAP	2		X X	
7	03M7054	BOLT	AR		X X	M8 X 20
8	Z41861	RIVET	AR		X X	
9	Z56844	STRAP	2		X X	(FOR AZ44192)
10	Z56843	ISOLATOR	2		X X	(FOR AZ44192)
11	Z56828	ISOLATOR	1		X X	(FOR AZ44192)
12	Z47908	STRAP	1		X X	
13	Z56228	HOLDER	2		X X	
14	21M7081	SCREW	AR		X X	M8 X 15
15	14M7416	FLANGE NUT	AR		X X	M8

4F3

SEPARATOR

ZX001200 -UN-01JAN94

STRAW CHOPPER DEFLECTOR ADJUSTING DEVICE



4F4

SEPARATOR

STRAW CHOPPER DEFLECTOR ADJUSTING DEVICE - CONTINUED

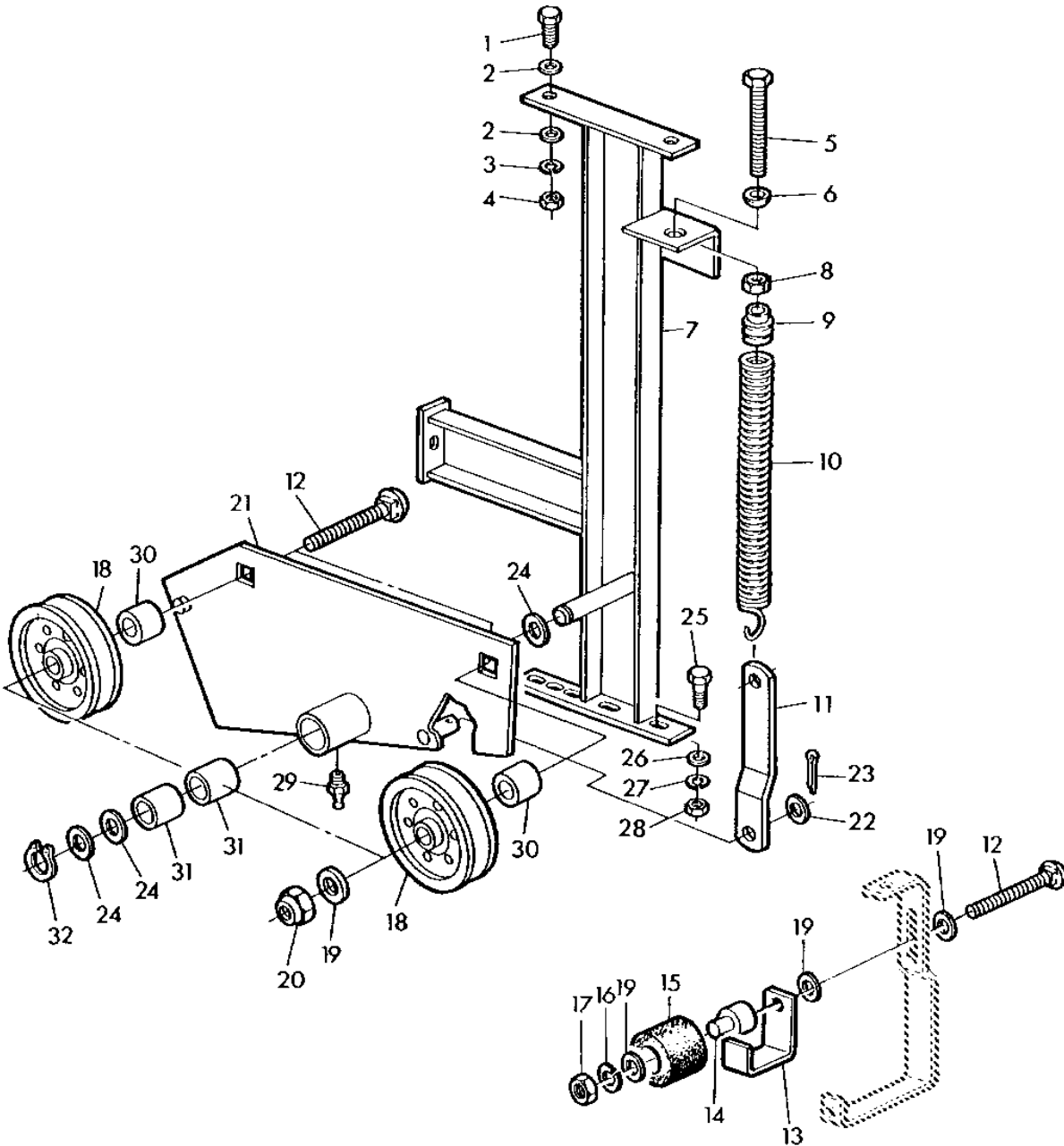
KEY	PART NO.	PART NAME	QTY	SERIAL NO.	4 4 4 3 4 5 3 H 5 Y	REMARKS
1	Z26789	GRIP	1		X X	
2	AZ44311	LEVER	1		X X	
3	49M4821	SHAFT KEY	1		X X	
4	12M7008	LOCK WASHER	AR		X X	8.100 MM
5	19M7139	CAP SCREW	AR		X X	M8 X 20
6	19M7288	CAP SCREW	AR		X X	M8 X 30
7	14M7029	NUT	AR		X X	M8
8	14M7166	LOCK NUT	AR		X X	M8
9	AZ44401	CYLINDER	1		X X	
10	19M8308	CAP SCREW	AR		X X	M8 X 20
11	R56251	SADDLE	1		X X	

4F5

SEPARATOR

Z115738 -UN-01JAN94

STRAW CHOPPER DRIVE IDLERS



Z115738

4F6

SEPARATOR

STRAW CHOPPER DRIVE IDLERS - CONTINUED

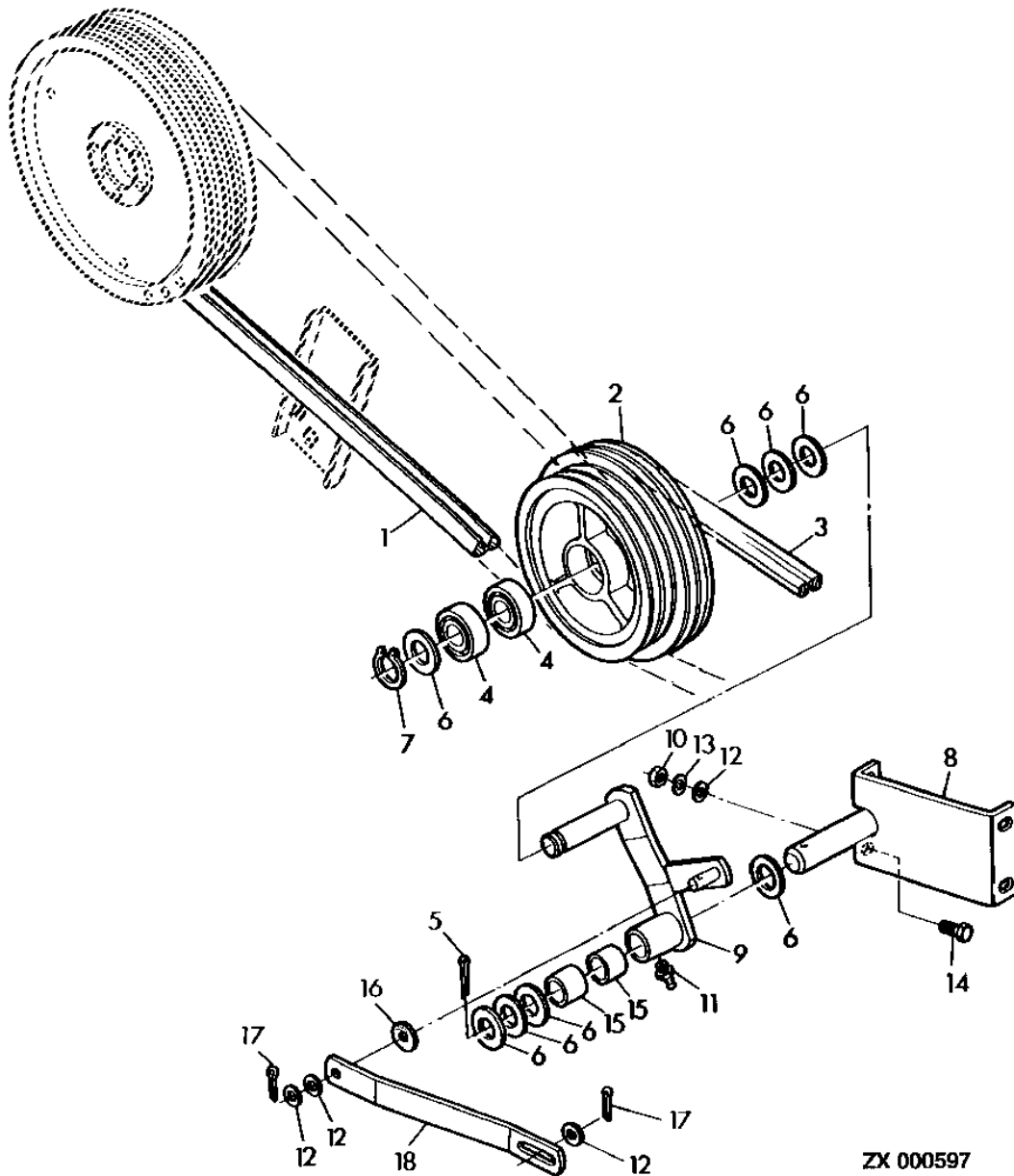
KEY	PART NO.	PART NAME	QTY	SERIAL NO.	4 4 4 3 4 5 3 H 5 Y	REMARKS
1	19M7298	CAP SCREW	2		X X	M8 X 35
2	24M7036	WASHER	4		X X	9 X 16 X 1.600 MM
3	12M7008	LOCK WASHER	2		X X	8.100 MM
4	14M7029	NUT	2		X X	M8
5	19H3091	CAP SCREW	1		X X	1/2" X 6"
6	47M7003	WASHER	1		X X	13 X 24 X 4.600 MM
7	AZ35229	SUPPORT	1		X X	
8	14H809	NUT	1		X X	1/2"
9	BP1640E	PLUG	1		X X	
10	290SE	SPRING	1		X X	
11	Z44714	BRACE	1		X X	
12	03M7078	BOLT	3		X X	M16 X 75
13	Z46254	CHANNEL	1		X X	
14	Z38859	BUSHING	1		X X	
15	AZ36867	TIGHTENER	1		X X	
16	12M7017	LOCK WASHER	1		X X	16.200 MM
17	14M7142	NUT	1		X X	M16
18	AZ29185	IDLER	2		X X	
19	24M7053	WASHER	3		X X	17 X 30 X 3 MM
20	14M7170	LOCK NUT	3		X X	M16
21	AZ35256	PLATE	1		X X	INCL.KEY (2)31
22	24M7048	WASHER	1		X X	15.500 X 28 X 2.500 MM
23	11M7014	COTTER PIN	1		X X	3.200 X 22 MM
24	Z24651	WASHER	4		X X	
25	19M7169	CAP SCREW	2		X X	M10 X 35
26	24M7040	WASHER	2		X X	11 X 20 X 2 MM
27	12M7013	LOCK WASHER	2		X X	10.200 MM
28	14M7140	NUT	2		X X	M10
29	58M7004	LUBRICATION FITTING	1		X X	M6 X 1
30	Z41837	SPACER	2		X X	
31	Z46070	BUSHING	2		X X	
32	40M1828	SNAP RING	1		X X	25 X 1,2MM

4F7

SEPARATOR

ZX000597 -UN-11JUL96

STRAW CHOPPER COUNTERSHAFT



ZX 000597

4F8

SEPARATOR

STRAW CHOPPER COUNTERSHAFT - CONTINUED

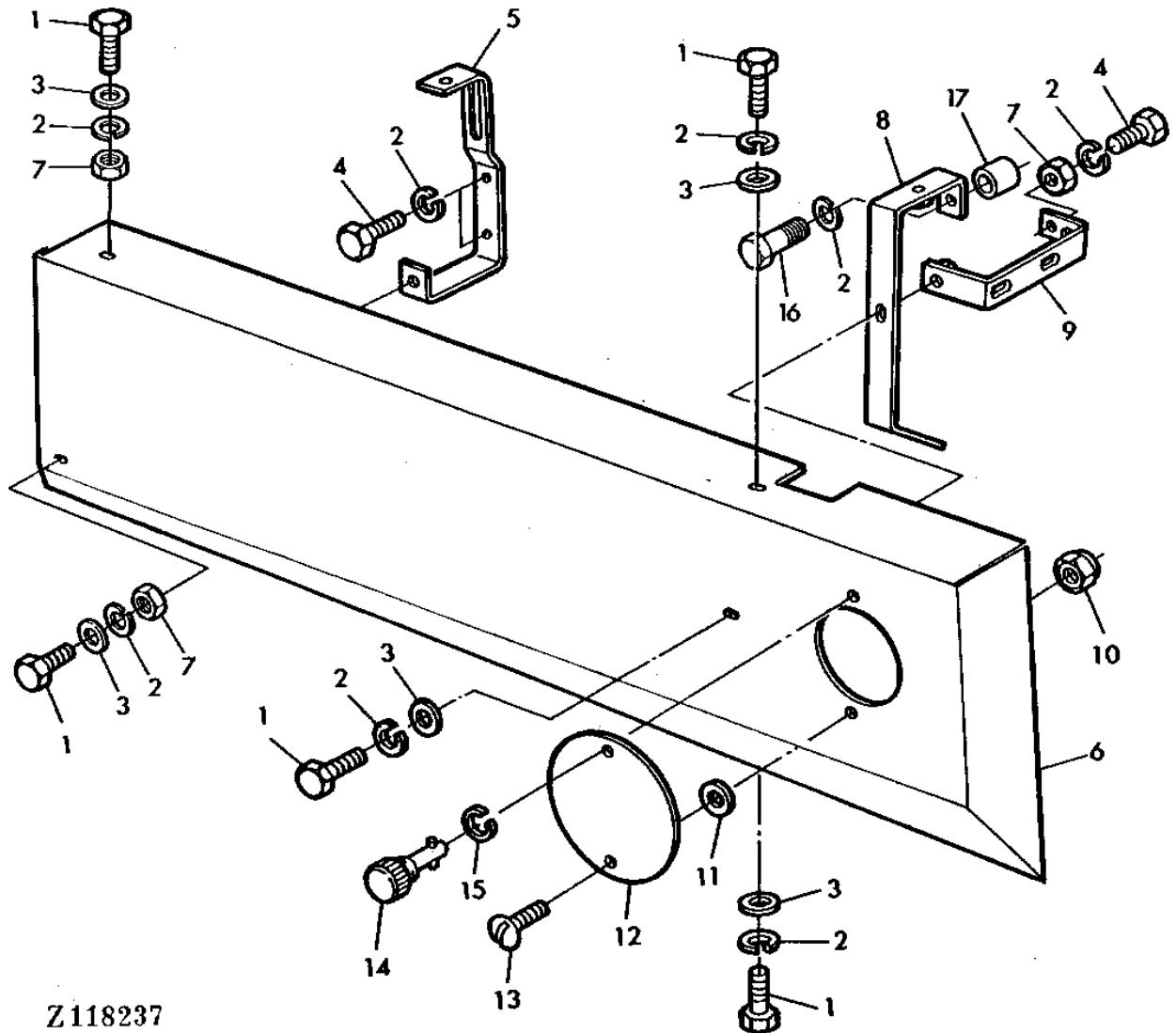
KEY	PART NO.	PART NAME	QTY	SERIAL NO.	4 4 4 3 4 5 3 H 5 Y	REMARKS
1	Z44761	BELT	1		X X	4224 MM (166.34") LONG
2	Z11564	SHEAVE	1	-056349	X X	
	Z12429	SHEAVE	1	056350-	X X	
3	Z47763	BELT	1	-056349	X X	6970 MM (274.41") LONG
	Z55645	BELT	1	056350-	X X	7120 MM (280.31") LONG
4	JD30198	BALL BEARING	2		X X	
5	11M7024	COTTER PIN	1		X X	4 X 36 MM
6	Z24651	WASHER	8		X X	
7	40M1828	SNAP RING	1		X X	25 X 1,5 MM
8	AZ35232	RETAINER	1		X X	
9	AZ35254	TIGHTENER	1		X X	INCL.KEY (2)15
10	14M7140	NUT	AR		X X	M10
11	58M7004	LUBRICATION FITTING	1		X X	M6X1
12	24M7040	WASHER	3		X X	11 X 20 X 2 MM
13	12M7013	LOCK WASHER	AR		X X	10.200 MM
14	19M7168	CAP SCREW	AR		X X	M10 X 30
15	Z46070	BUSHING	2		X X	
16	Z22325	WASHER	1		X X	
17	11M7014	COTTER PIN	AR		X X	3.200 X 22 MM
18	Z44715	BRACE	1		X X	

4F9

SEPARATOR

Z118237 -UN-01JAN94

STRAW CHOPPER DRIVE SHIELD



4F10

SEPARATOR

STRAW CHOPPER DRIVE SHIELD - CONTINUED

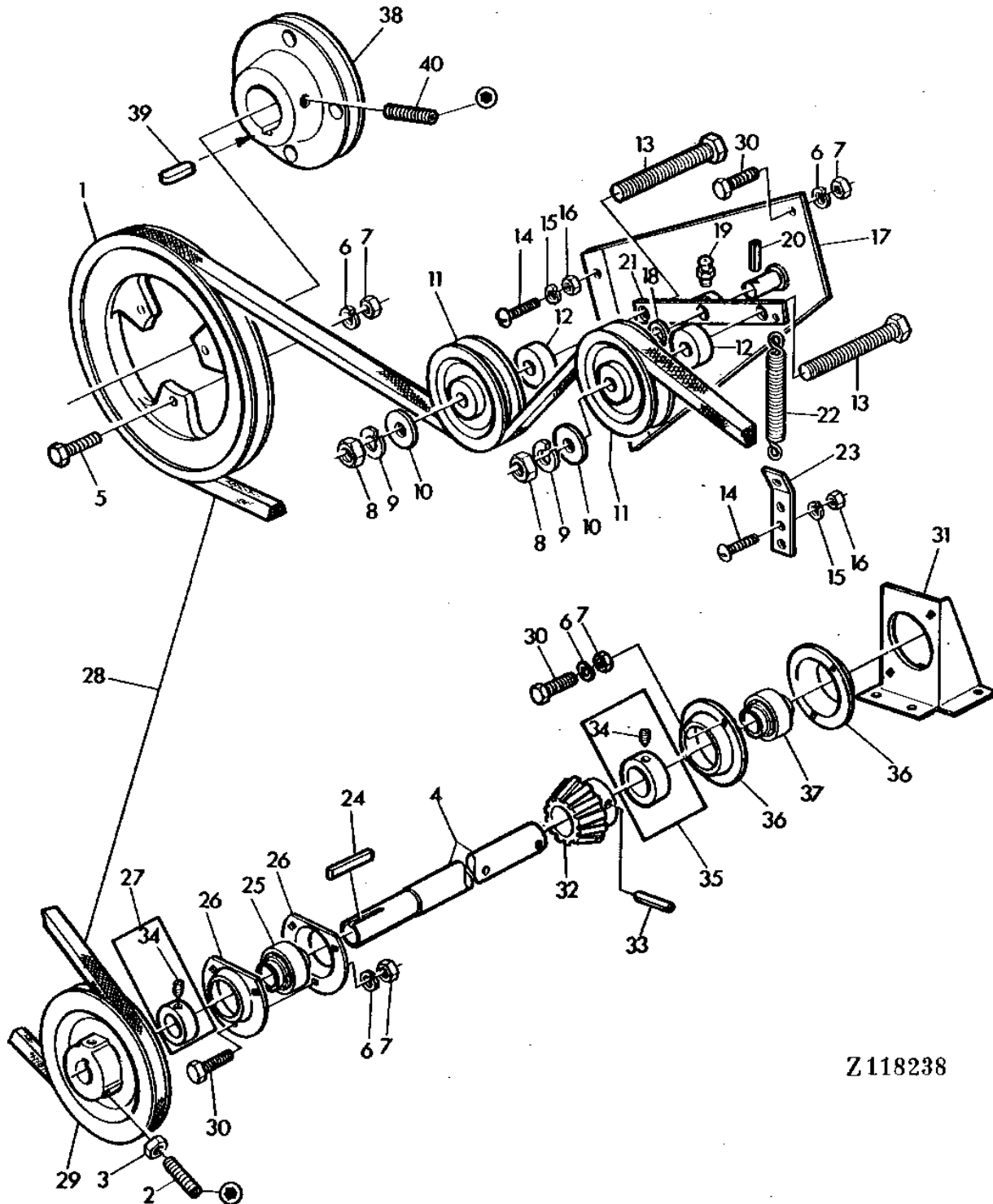
KEY	PART NO.	PART NAME	QTY	SERIAL NO.	4 4 4 3 4 5 3 H 5 Y	REMARKS
1	19M7163	CAP SCREW	AR		X X	M8 X 25
2	12M7008	LOCK WASHER	AR		X X	8.100 MM
3	24M7036	WASHER	AR		X X	9 X 16 X 1.600 MM
4	19M7139	CAP SCREW	AR		X X	M8 X 20
5	AZ38039	HOLDER	1		X	
	Z47769	HOLDER	1		X X	
6	AZ42059	GUARD	1		X X	
7	14M7029	NUT	AR		X X	M8
8	Z53077	RETAINER	1		X X	
9	Z47767	RETAINER	1		X X	(SUB Z55612)
	Z55612	CLEVIS	1		X X	
10	14M7166	LOCK NUT	AR		X X	M8
11	24M7040	WASHER	AR		X X	11 X 20 X 2 MM
12	Z47766	COVER	1		X X	
13	21M7162	SCREW	AR		X X	M10 X 20
14	AZ21124	LATCH	1		X X	
15	Z31529	LOCK WASHER	1		X X	
16	19M7288	CAP SCREW	1		X X	M8 X 30
17	Z32264	SPACER	1		X X	

4F11

SEPARATOR

Z118238 -UN-01JAN94

STRAW SPREADER DRIVE



Z118238

4F12

SEPARATOR

STRAW SPREADER DRIVE - CONTINUED

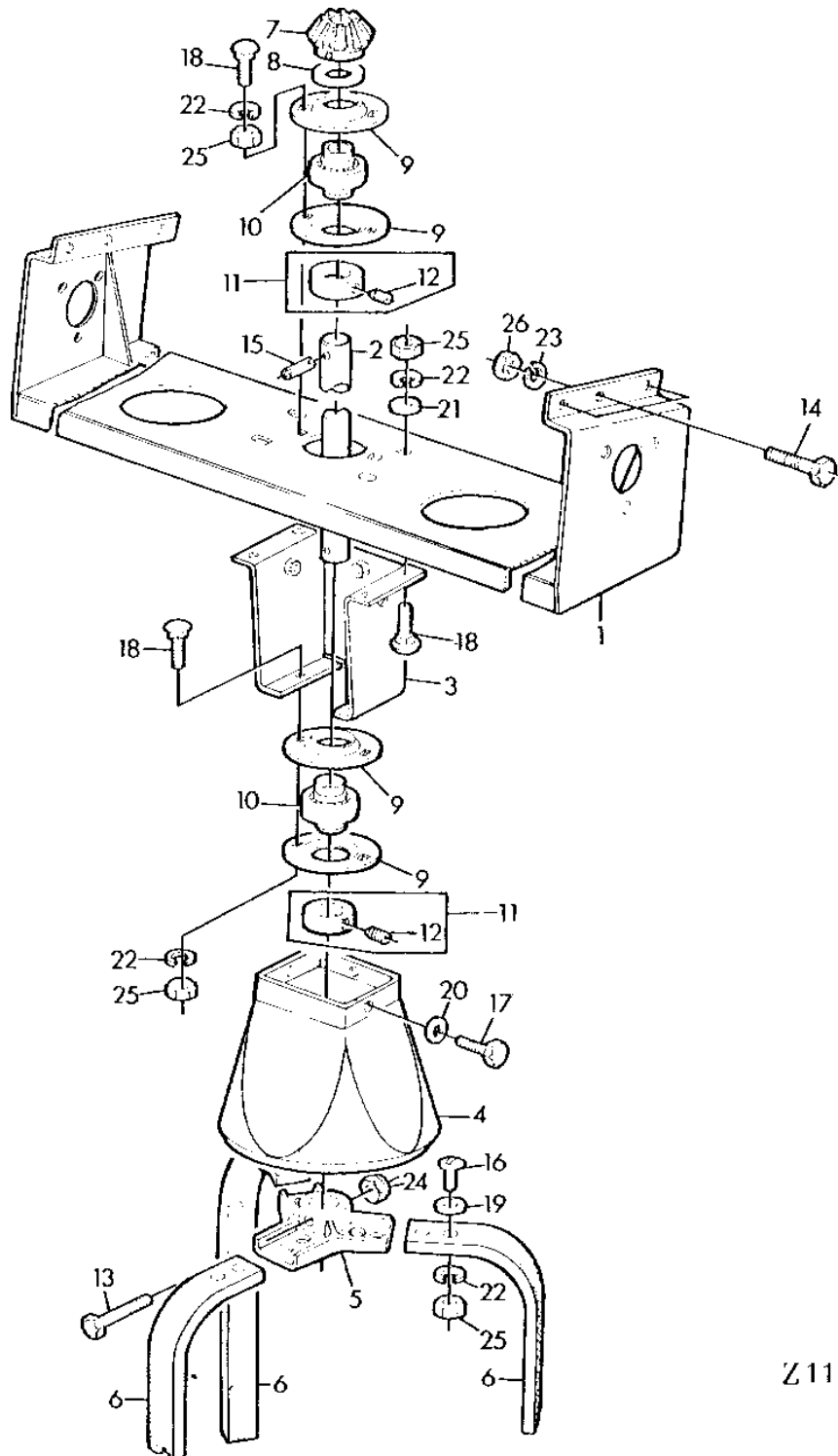
KEY	PART NO.	PART NAME	QTY	SERIAL NO.	4	REMARKS
					4	
					4 3	
					4 5	
					3 H	
					5 Y	
1	Z10860	PULLEY	1		X X	
2	22M7081	SET SCREW	2		X X	M10 X 10
3	14M7152	NUT	AR		X X	M10
4	Z33732	SHAFT	1		X X	
5	19M7323	CAP SCREW	AR		X X	M8 X 40
6	12M7008	LOCK WASHER	AR		X X	8.100 MM
7	14M7029	NUT	AR		X X	M8
8	14M7141	NUT	2		X X	M14
9	12M7009	LOCK WASHER	2		X X	14.200 MM
10	L19394	WASHER	2		X X	
11	AP24917	IDLER	2		X X	
12	Z33402	SPACER	2		X X	
13	19M7140	CAP SCREW	2		X X	M14 X 65
14	21M7085	SCREW	AR		X X	M6 X 20
15	12M7012	LOCK WASHER	AR		X X	6.100 MM
16	14M7027	NUT	AR		X X	M6
17	AZ22698	HOLDER	1		X X	
18	L18947	WASHER	AR		X X	2,000 MM (.079") THICK
	L19366	SHIM	AR		X X	0,560 MM (.022") THICK
19	58M7006	LUBRICATION FITTING	1		X X	M8 X 1
20	34M7029	SPRING PIN	1		X X	4 X 30 MM
21	AZ22699	HOLDER	1		X X	
22	L19219	SPRING	1		X X	
23	Z33725	HOLDER	1		X X	
24	49M4821	SHAFT KEY	1		X X	6 X 6 X 32MM
25	JD39108	BALL BEARING	1		X X	
26	Z23787	PRESSED FLANGED HOUSING	2		X X	
27	AZ13117	ECCENTRIC LOCKING COLLAR	1		X X	
28	Z32041	BELT	1		X X	4750MM(187.01") LONG
29	Z10262	SHEAVE	1		X X	
30	19M7139	CAP SCREW	AR		X X	M8 X 20
31	Z36862	BRACKET	1		X X	
32	H91228	GEAR	1		X X	
33	34M7046	SPRING PIN	1		X X	8 X 36MM
34	AZ19843	SET SCREW	AR		X X	KIT
35	JD8563	ECCENTRIC LOCKING COLLAR	1		X X	
36	P44439	PRESSED FLANGED HOUSING	2		X X	
37	JD8562	BALL BEARING	1		X X	
38	Z11579	SHEAVE	1		X X	
39	49M4111	SHAFT KEY	1		X X	8 X 7 X 40 MM
40	22M7147	SET SCREW	2		X X	M10 X 16

4F13

SEPARATOR

Z115582 -UN-01JAN94

STRAW SPREADER BLADES



Z115582

4F14

SEPARATOR

STRAW SPREADER BLADES - CONTINUED

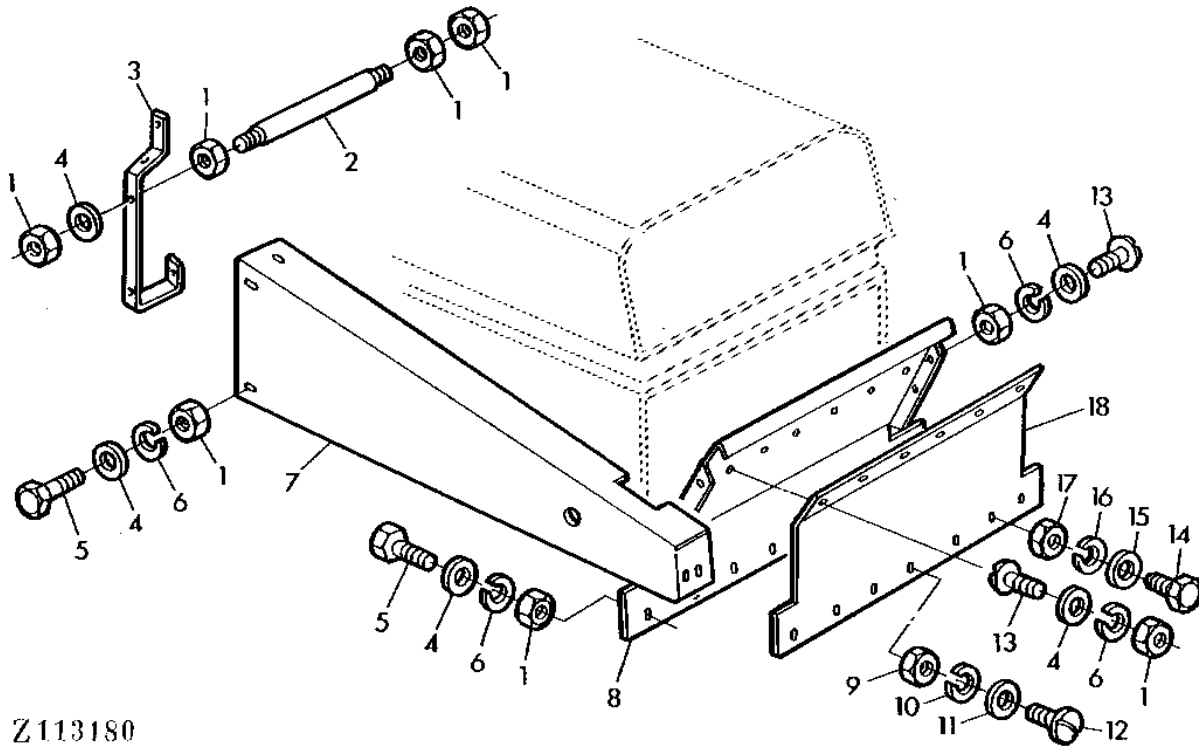
KEY	PART NO.	PART NAME	QTY	SERIAL NO.	4 4 4 3 4 5 3 H 5 Y	REMARKS
1	AZ38030	SUPPORT	1		X X	
2	H83793	SHAFT	1		X X	
3	AZ22696	RETAINER	1		X X	
4	H83795	GUARD	1		X X	
5	H84934	SPIDER	1		X X	
6	H76933	BLADE	3		X X	
7	H91228	GEAR	1		X X	
8	24H1433	WASHER	1		X X	29/32" X 2-1/4" X 1/4"
9	P44439	PRESSED FLANGED HOUSING	4		X X	
10	JD9442	BALL BEARING	2		X X	
11	JD8563	ECCENTRIC LOCKING COLLAR	1		X X	
12	AZ19843	SET SCREW	2		X X	KIT
13	19M7269	CAP SCREW	AR		X X	M8 X 50
14	19M7287	CAP SCREW	AR		X X	M10 X 50
15	34M7046	SPRING PIN	AR		X X	8 X 36 MM
16	21M7126	SCREW	AR		X X	M8 X 35
17	19M7159	CAP SCREW	AR		X X	M6 X 15
18	03M7128	BOLT	AR		X X	M8 X 20
19	24M7024	WASHER	AR		X X	9 X 28 X 3 MM
20	Z26250	WASHER	AR		X X	
21	24M7036	WASHER	AR		X X	9 X 16 X 1.600 MM
22	12M7008	LOCK WASHER	AR		X X	8.100 MM
23	12M7013	LOCK WASHER	AR		X X	10.200 MM
24	14M7166	LOCK NUT	AR		X X	M8
25	14M7029	NUT	AR		X X	M8
26	14M7140	NUT	AR		X X	M10

4F15

SEPARATOR

Z113180 -UN-01JAN94

STRAW SPREADER DRIVE SHIELD AND DEFLECTOR



Z113180

4F16

SEPARATOR

STRAW SPREADER DRIVE SHIELD AND DEFLECTOR - CONTINUED

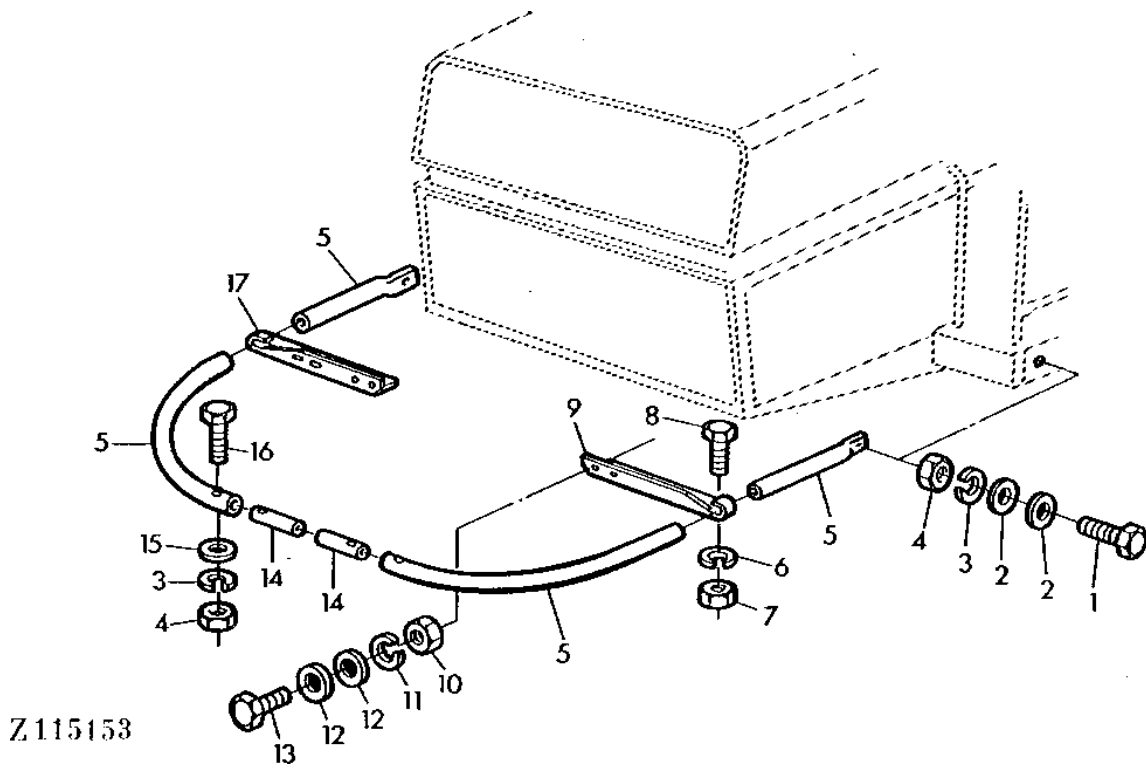
KEY	PART NO.	PART NAME	QTY	SERIAL NO.	4 4 4 3 4 5 3 H 5 Y	REMARKS
1	14M7029	NUT	AR		X X	M8
2	Z48082	STUD	1		X X	
3	Z48083	RETAINER	1		X X	
4	24M7036	WASHER	AR		X X	9 X 16 X 1.600 MM
5	19M7139	CAP SCREW	AR		X X	M8 X 20
6	12M7008	LOCK WASHER	AR		X X	8.100 MM
7	AZ40308	GUARD	1		X X	
8	Z47760	SHIELD	1		X X	
9	14M7027	NUT	AR		X X	M6
10	12M7012	LOCK WASHER	AR		X X	6.100 MM
11	Z26250	WASHER	AR		X X	
12	21M7031	SCREW	AR		X X	M6 X 15
13	21M7081	SCREW	AR		X X	M8 X 15
14	19M7167	CAP SCREW	AR		X X	M10 X 25
15	24M7040	WASHER	AR		X X	11 X 20 X 2 MM
16	12M7013	LOCK WASHER	AR		X X	10.200 MM
17	14M7140	NUT	AR		X X	M10
18	Z47756	SHIELD	1		X X	

4F17

SEPARATOR

Z115153 -UN-01JAN94

STRAW SPREADER SAFETY RAIL



4F18

SEPARATOR

STRAW SPREADER SAFETY RAIL - CONTINUED

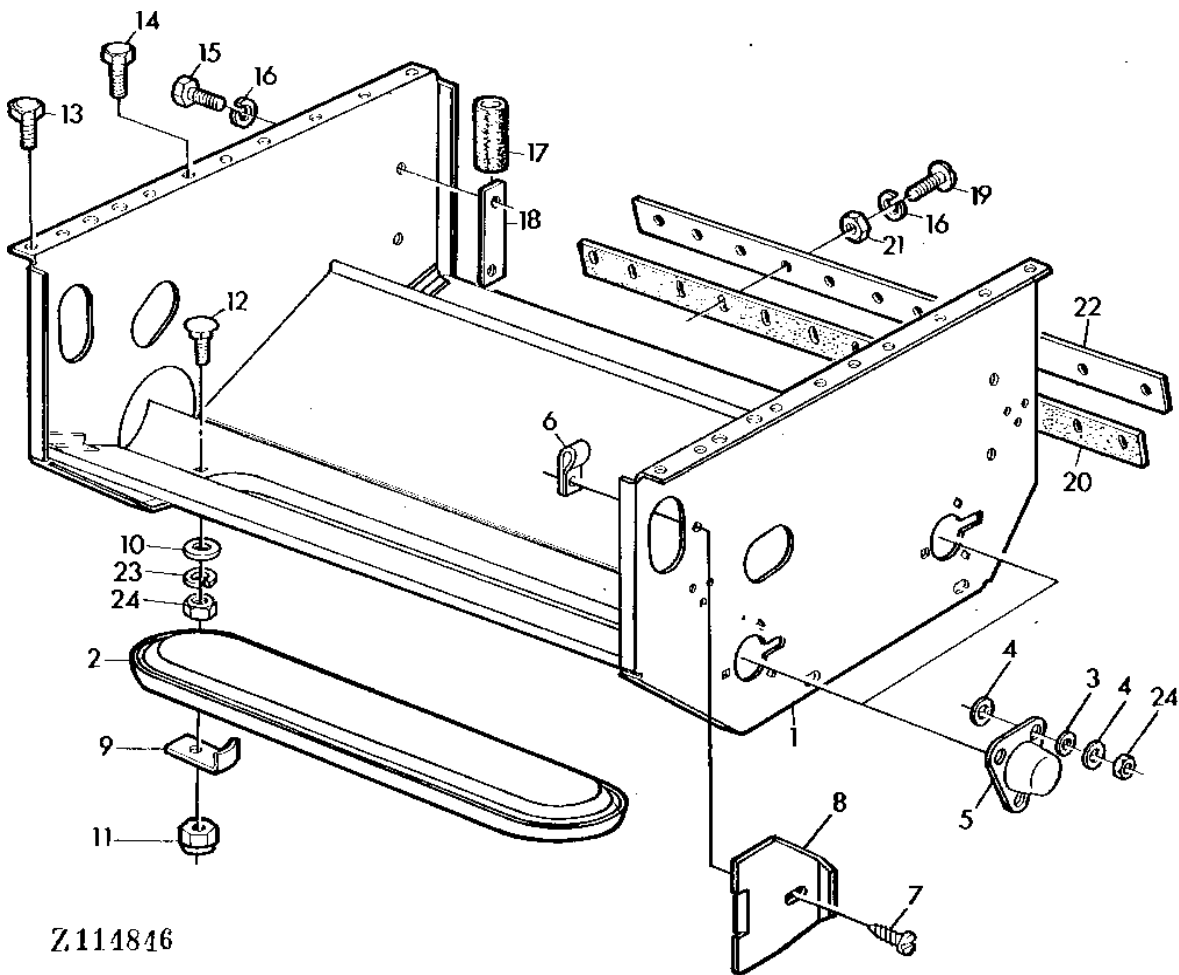
KEY	PART NO.	PART NAME	QTY	SERIAL NO.	4 4 4 3 4 5 3 H 5 Y	REMARKS
1	19M7269	CAP SCREW	AR		X X	M8 X 50
2	24M7055	WASHER	AR		X X	8.400 X 16 X 1.600 MM
3	12M7008	LOCK WASHER	AR		X X	8.100 MM
4	14M7029	NUT	AR		X X	M8
5	Z33720	GUARD	2		X X	
6	12M7012	LOCK WASHER	AR		X X	6.100 MM
7	14M7027	NUT	AR		X X	M6
8	19M7320	CAP SCREW	AR		X X	M6 X 40
9	Z30285	HOLDER	1		X X	R.H.
10	14M7140	NUT	AR		X X	M10
11	12M7013	LOCK WASHER	AR		X X	10.200 MM
12	24M7040	WASHER	AR		X X	11 X 20 X 2 MM
13	19M7167	CAP SCREW	AR		X X	M10 X 25
14	Z33726	GUARD	1		X X	
15	24M7036	WASHER	1		X X	9 X 16 X 1.600 MM
16	19M7323	CAP SCREW	AR		X X	M8 X 40
17	Z30284	HOLDER	1		X X	L.H.

4F23

ELEVATORS, GRAIN TANK & UNLOADING AUGER

Z114846 -UN-01JAN94

LOWER TAILINGS AND CLEAN GRAIN AUGERS HOUSING



Z114846

4F24

ELEVATORS, GRAIN TANK & UNLOADING AUGER

LOWER TAILINGS AND CLEAN GRAIN AUGERS HOUSING - CONTINUED

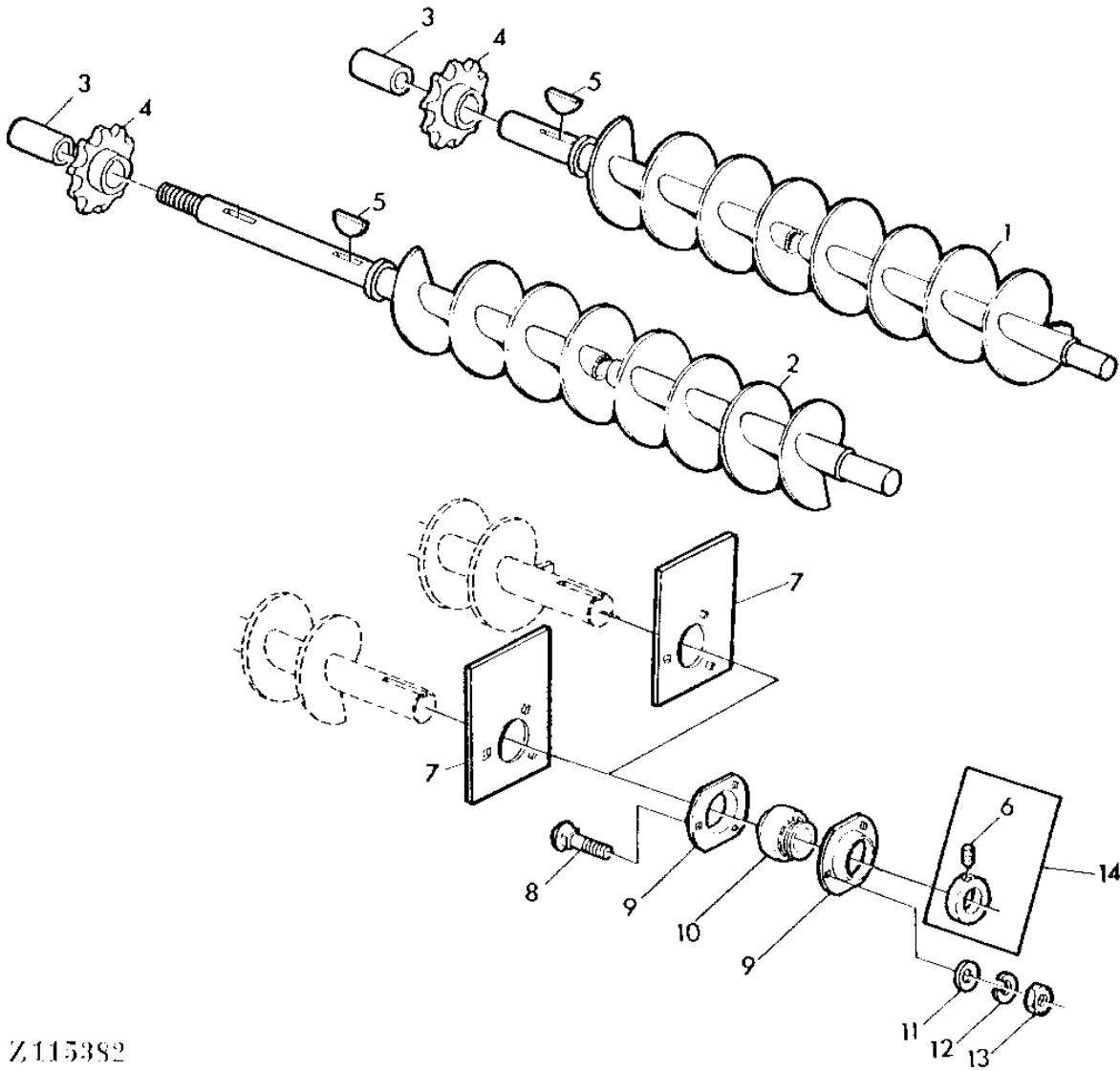
KEY	PART NO.	PART NAME	QTY	SERIAL NO.	REMARKS
					4
					4
					4 3
					4 5
					3 H
					5 Y
1	AZ23181	CASE	1		X X
2	Z34303	COVER	2		X X
3	24M7037	WASHER	AR		X X 9 X 16 X 2 MM
4	24M7028	WASHER	AR		X X 10.500 X 20 X 2 MM
5	Z38381	GUARD	2		X X
6	Z20443	NUT	2		X X 5,5 X 10MM
7	37M7009	SCREW	2		X X
8	Z22335	FLAP	2		X X
9	Z34294	HOLDER	4		X X
10	24M7040	WASHER	AR		X X 11 X 20 X 2 MM
11	14M7166	LOCK NUT	AR		X X M8
12	03M7160	BOLT	AR		X X M8 X 35
13	19M7139	CAP SCREW	AR		X X M8 X 20
14	19M7163	CAP SCREW	AR		X X M8 X 25
15	19M7159	CAP SCREW	AR		X X M6 X 15
16	12M7012	LOCK WASHER	AR		X X 6.100 MM
17	Z25904	HOSE	2		X X
18	Z25903	STRAP	2		X X
19	21M7031	SCREW	AR		X X M6 X 15
20	Z20157	GASKET	1		X X
21	14M7027	NUT	AR		X X M6
22	Z35556	REINFORCEMENT	1		X X
23	12M7008	LOCK WASHER	AR		X X 8.100 MM
24	14M7029	NUT	AR		X X M8

4G1

ELEVATORS, GRAIN TANK & UNLOADING AUGER

Z115382 -UN-01JAN94

LOWER TAILINGS AND CLEAN GRAIN AUGERS



Z115382

4G2

ELEVATORS, GRAIN TANK & UNLOADING AUGER

LOWER TAILINGS AND CLEAN GRAIN AUGERS - CONTINUED

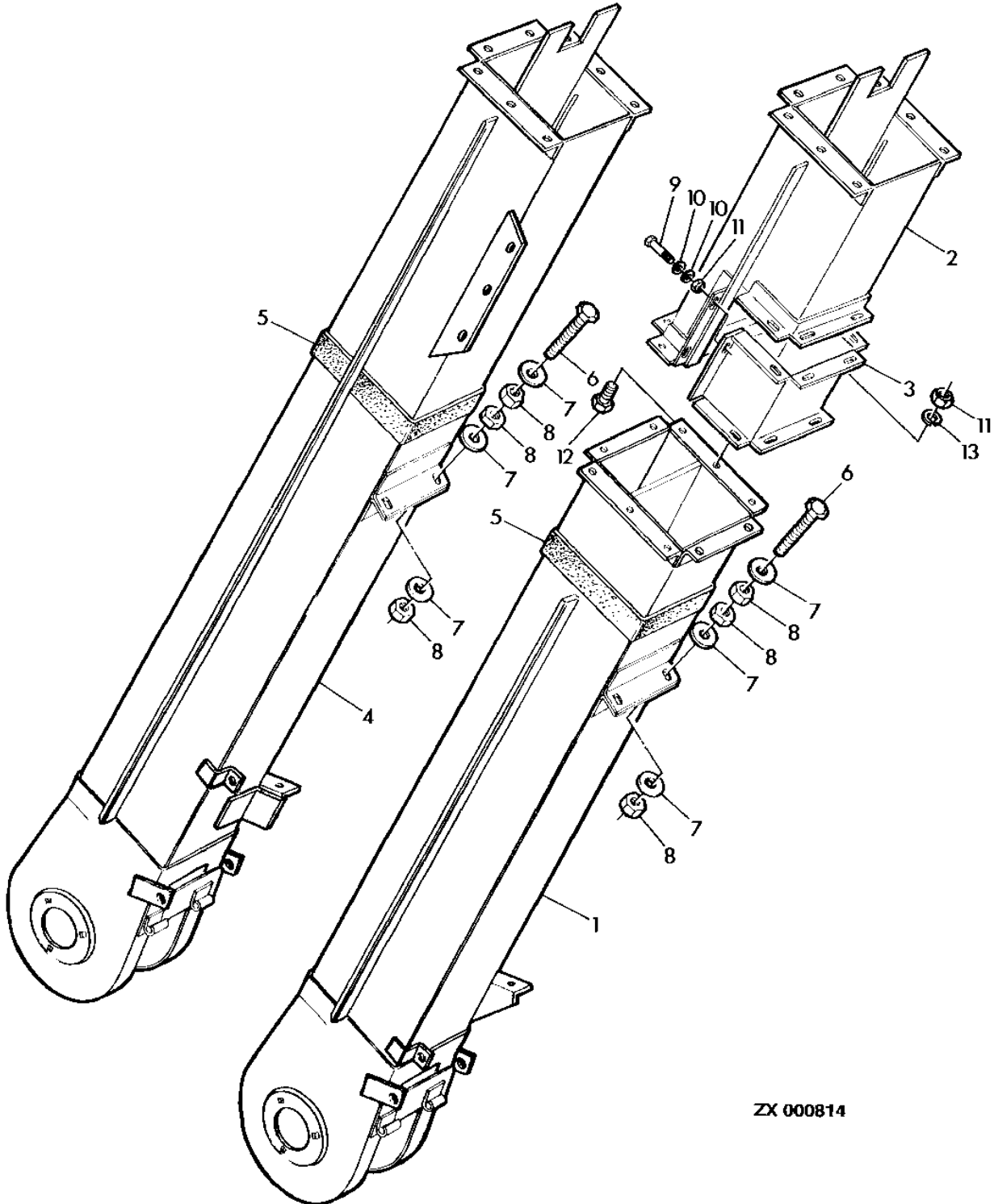
KEY	PART NO.	PART NAME	QTY	SERIAL NO.	4 4 4 3 4 5 3 H 5 Y	REMARKS
1	AZ38157	AUGER	1		X X	
2	AZ38153	AUGER	1		X X	
3	Z37953	SPACER	2		X X	
4	Z11211	CHAIN SPROCKET	2		X X	8 TEETH
5	26M4228	SHAFT KEY	2		X X	8 X 28 MM
6	AZ19843	SET SCREW	2		X X	
7	Z20198	HOLDER	2		X X	
8	03M7094	BOLT	AR		X X	M8 X 30
9	P47232	PRESSED FLANGED HOUSING	4		X X	
10	JD39105	BALL BEARING	2		X X	
11	24M7036	WASHER	AR		X X	9 X 16 X 1.600 MM
12	12M7008	LOCK WASHER	AR		X X	8.100 MM
13	14M7029	NUT	AR		X X	M8
14	AZ10044	ECCENTRIC LOCKING COLLAR	2		X X	

4G3

ELEVATORS, GRAIN TANK & UNLOADING AUGER

ZX000814 -UN-21MAY96

CLEAN GRAIN ELEVATOR HOUSING



ZX 000814

4G4

ELEVATORS, GRAIN TANK & UNLOADING AUGER

CLEAN GRAIN ELEVATOR HOUSING - CONTINUED

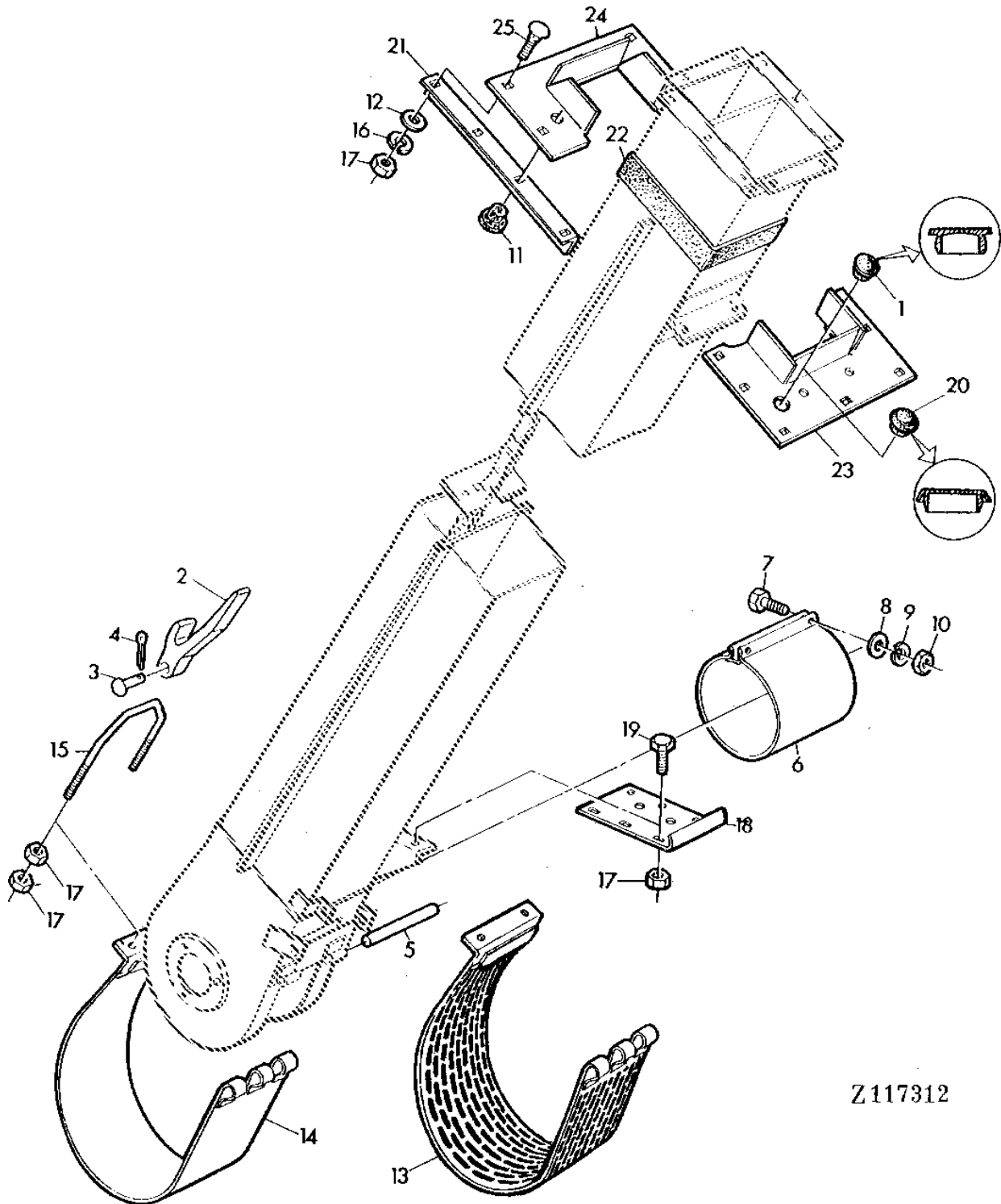
KEY	PART NO.	PART NAME	QTY	SERIAL NO.	4 4 4 3 4 5 3 H 5 Y	REMARKS
1	AZ38187	ELEVATOR	1		X X	(SUB AZ42157)
2	AZ37483	ELEVATOR	1		X X	AS REQUIRED
3	AZ29948	INSERT	1		X X	(SUB Z53191)
	Z53191	REINFORCEMENT	1		X X	AS REQUIRED
4	AZ42157	ELEVATOR	1		X X	(SUB AZ44404)
	AZ44404	ELEVATOR	1		X X	
5	Z34340	GASKET	2		X X	
6	19M8049	CAP SCREW	AR		X X	M10 X 80
7	24M7040	WASHER	AR		X X	11 X 20 X 2 MM
8	14M7140	NUT	AR		X X	M10
9	19M7163	CAP SCREW	AR		X X	M8 X 25
10	24M7036	WASHER	AR		X X	9 X 16 X 1.600 MM
11	14M7166	LOCK NUT	AR		X X	M8
12	19M7162	CAP SCREW	AR		X X	M8 X 16
13	12M7008	LOCK WASHER	AR		X X	8.100 MM

4G5

ELEVATORS, GRAIN TANK & UNLOADING AUGER

Z117312 -UN-01JAN94

CLEAN GRAIN ELEVATOR MOUNTING PARTS



Z117312

4G6

ELEVATORS, GRAIN TANK & UNLOADING AUGER

CLEAN GRAIN ELEVATOR MOUNTING PARTS - CONTINUED

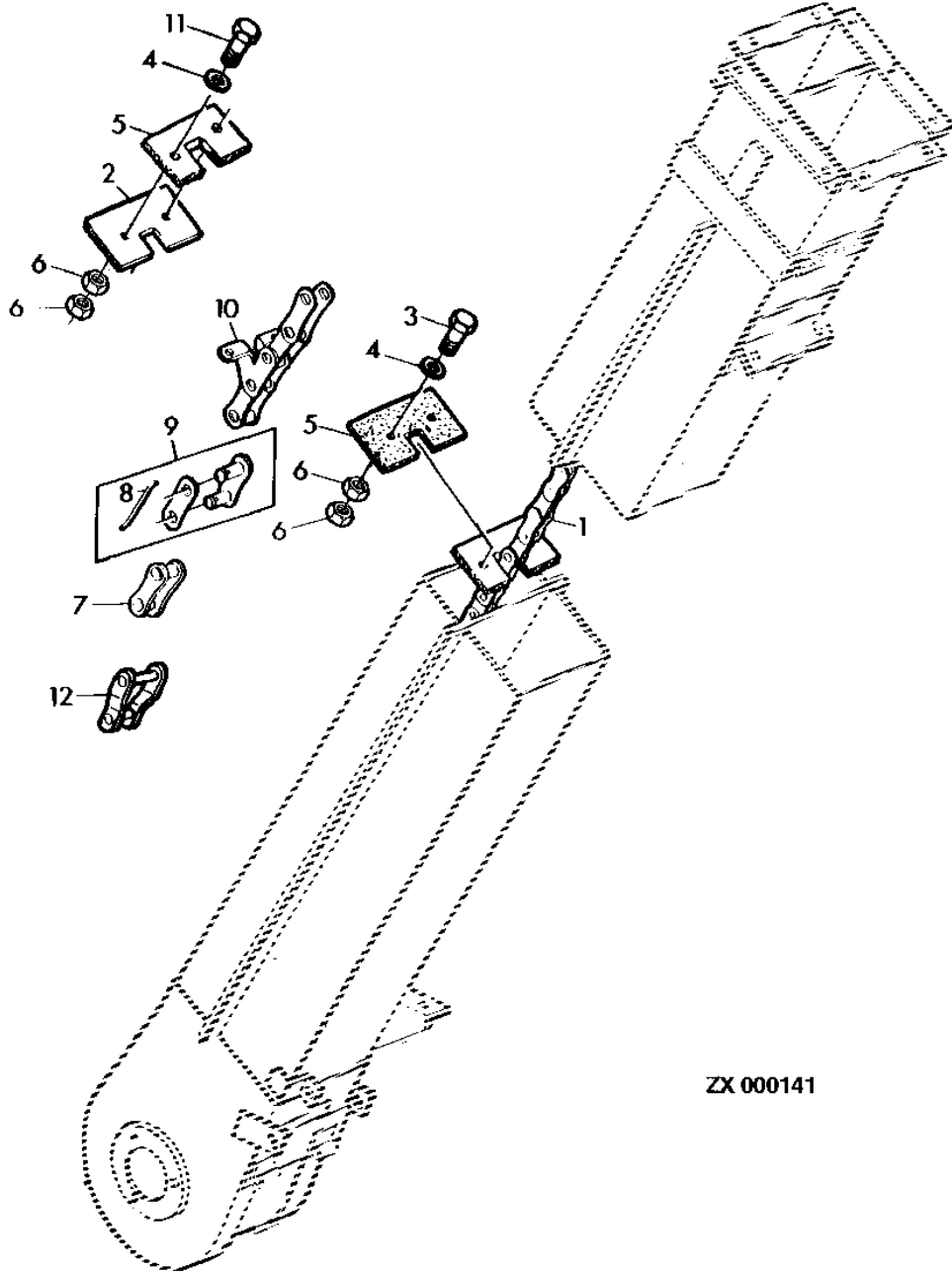
KEY	PART NO.	PART NAME	QTY	SERIAL NO.	4 4 4 3 4 5 3 H 5 Y	REMARKS
1	Z35560	COVER	AR		X X	O.D. = 13 MM
2	Z11406	LEVER	1		X X	
3	Z21059	PIN	1		X X	
4	11M7009	COTTER PIN	1		X X	2 X 16 MM
5	Z20627	PIN	1		X X	
6	AZ35683	EXTENSION	1		X X	
7	19M7160	CAP SCREW	2		X X	M6 X 30
8	Z26250	WASHER	AR		X X	
9	12M7012	LOCK WASHER	AR		X X	6.100 MM
10	14M7027	NUT	AR		X X	M6
11	Z36838	PLUG	AR		X X	
12	24M7036	WASHER	AR		X X	9 X 16 X 1.600 MM
13	AZ40790	FLAP	1		X X	AS REQUIRED
14	AZ35409	DOOR	1		X X	
15	Z20619	U-BOLT	1		X X	
16	12M7008	LOCK WASHER	AR		X X	8.100 MM
17	14M7166	LOCK NUT	AR		X X	M8
18	Z20523	SHEET	1		X X	
19	19M7139	CAP SCREW	AR		X X	M8 X 20
20	R52233	PLUG	AR		X X	O.D. = 32 MM
21	Z33475	ANGLE	2		X X	
22	Z34340	GASKET	2		X X	
23	AZ37482	SHIELD	1		X X	(SUB Z53172)
	Z53172	GASKET	1		X X	
24	AZ31146	SHIELD	1		X X	(SUB Z53173)
	Z53173	GASKET	1		X X	
25	03M7054	BOLT	AR		X X	M8 X 20

4G7

ELEVATORS, GRAIN TANK & UNLOADING AUGER

ZX000141 -UN-15MAY96

CLEAN GRAIN ELEVATOR, CONVEYOR CHAIN



ZX 000141

4G8

ELEVATORS, GRAIN TANK & UNLOADING AUGER

CLEAN GRAIN ELEVATOR, CONVEYOR CHAIN - CONTINUED

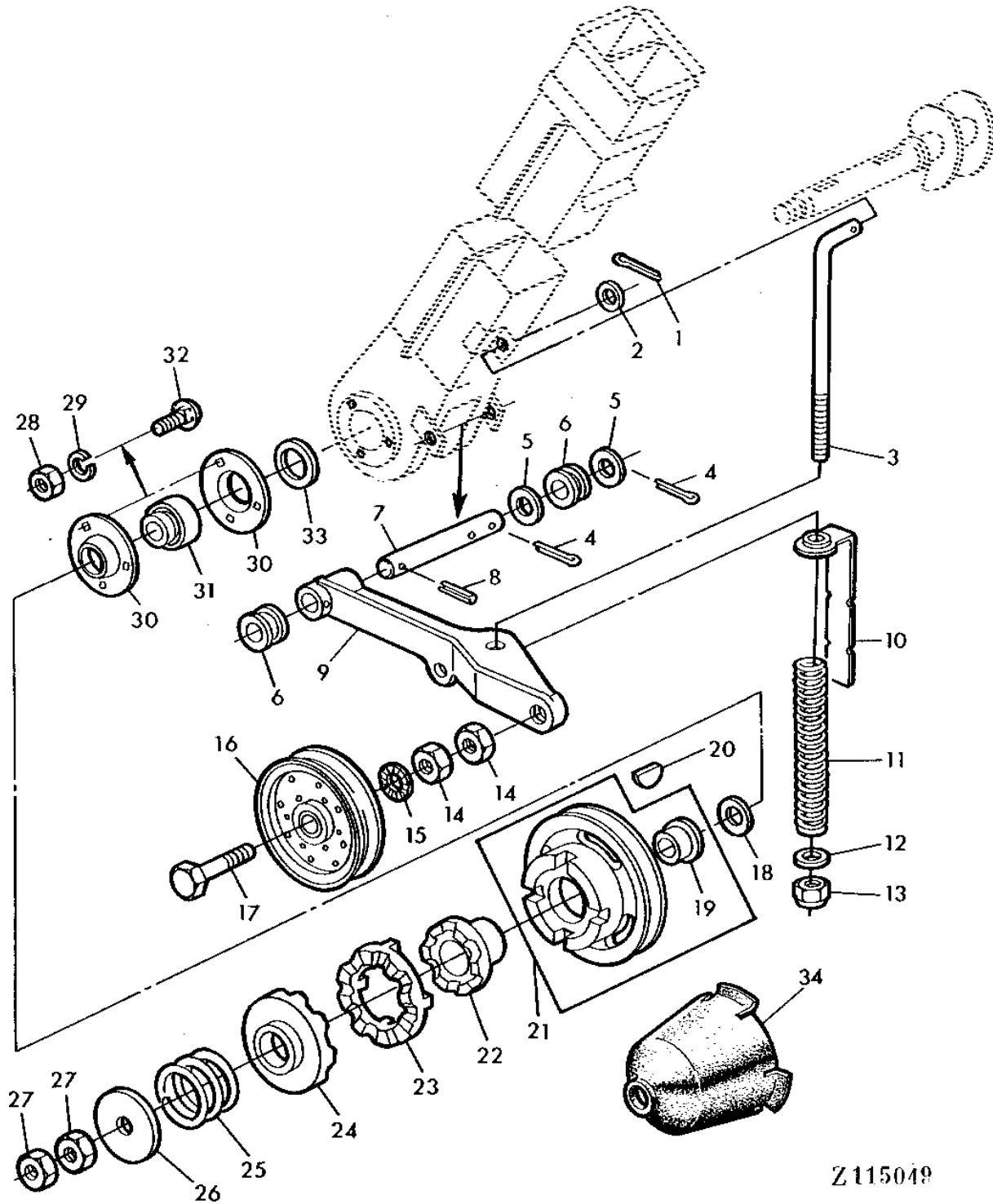
KEY	PART NO.	PART NAME	QTY	SERIAL NO.	4 4 4 3 4 5 3 H 5 Y	REMARKS
1	AZ41079	GATHERER CHAIN	1		X X	161 LINKS, (INCL.KEYS (40)5, (5)2, 9), (SUB AZ44111)
	AZ44111	GATHERER CHAIN	1		X X	161 LINKS, (INCL.KEYS (40)5, (5)2, 9)
2	Z52360	PADDLE	5		X X	STEEL, (FOR AZ41079)
	Z55620	PADDLE	5		X X	(FOR AZ44111)
3	19M7288	CAP SCREW	AR		X X	M8 X 30
4	24M7024	WASHER	AR		X X	9 X 28 X 3 MM
5	Z52361	PADDLE	40		X X	RUBBER, (FOR AZ41079)
	Z55621	PADDLE	40		X X	(FOR AZ44111)
6	14M7029	NUT	AR		X X	M8
7	AZ27727	LINK CHAIN	AR		X X	
8	Z42619	RETAINER	AR		X X	
9	AZ27728	GATHERER CHAIN	AR		X X	
10	AZ41089	GATHERER CHAIN	AR		X X	3 LINKS
11	19M7298	CAP SCREW	AR		X X	M8 X 35
12	AZ28032	CHAIN LINK	AR		X X	(SUB AZ34231)
	AZ34231	CHAIN LINK	AR		X X	

4G9

ELEVATORS, GRAIN TANK & UNLOADING AUGER

Z115049 -UN-01JAN94

CLEAN GRAIN ELEVATOR DRIVE



Z115049

4G10

ELEVATORS, GRAIN TANK & UNLOADING AUGER

CLEAN GRAIN ELEVATOR DRIVE - CONTINUED

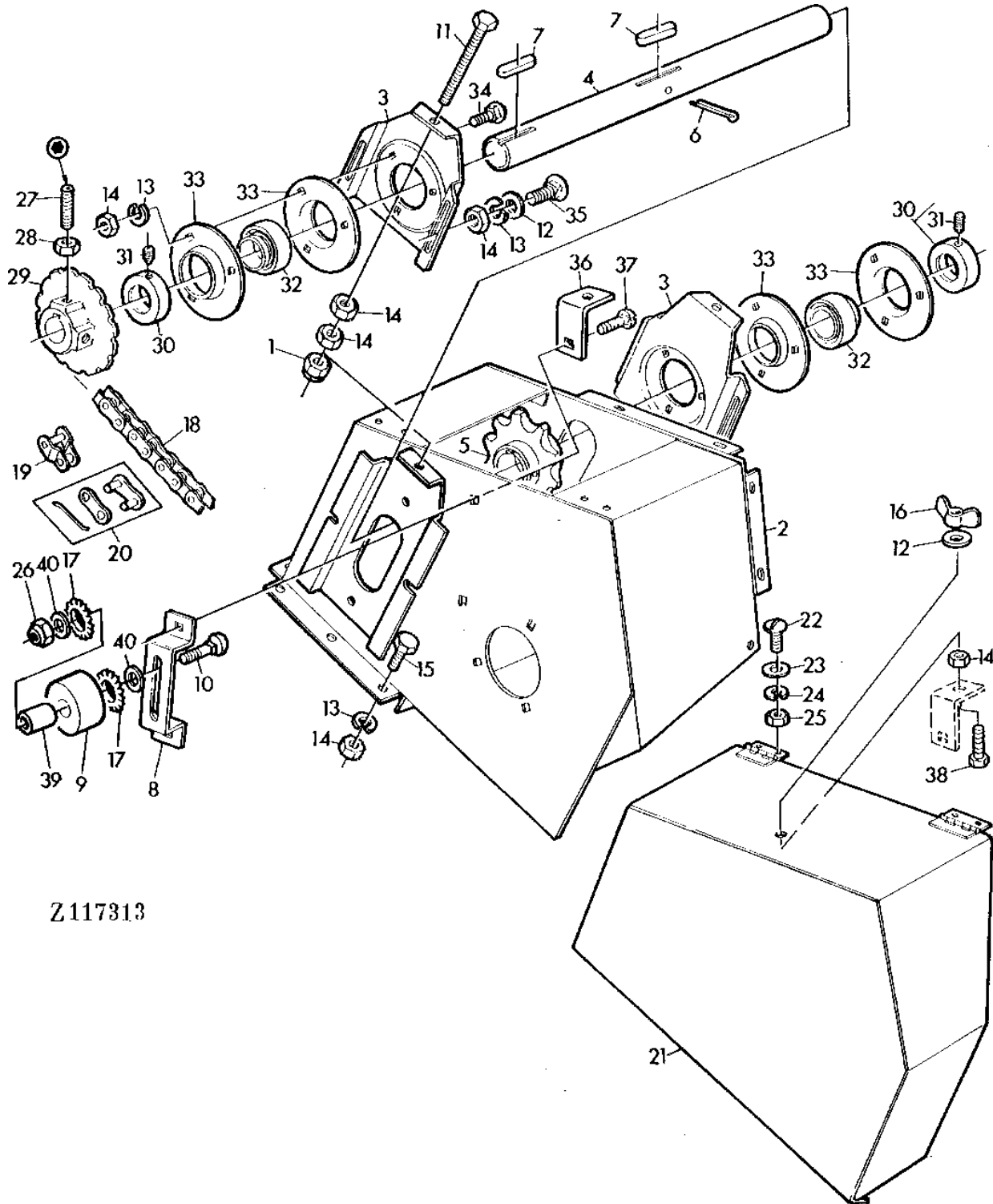
KEY	PART NO.	PART NAME	QTY	SERIAL NO.	4 4 4 3 4 5 3 H 5 Y	REMARKS
1	11M7013	COTTER PIN	AR		X X	3.200 X 18 MM
2	24M7040	WASHER	AR		X X	11 X 20 X 2 MM
3	Z47898	HOOK BOLT	1		X X	
4	11M7021	COTTER PIN	AR		X X	4 X 25 MM
5	24M7049	WASHER	AR		X X	17.500 X 30 X 3 MM
6	Z47840	BUSHING	2		X X	
7	Z51843	PIN	1		X X	
8	34M7062	SPRING PIN	AR		X X	5 X 32 MM
9	Z11807	LEVER	1		X X	
10	Z46373	POINTER	1		X X	
11	L20624	SPRING	1		X X	
12	L18519	WASHER	1		X X	(SUB 24M7028)
	24M7028	WASHER	1		X X	10.500 X 20 X 2 MM
13	14M7167	LOCK NUT	AR		X X	M10
14	14M7260	NUT	AR		X X	M16
15	12M7052	LOCK WASHER	1		X X	17 MM
16	AP24917	IDLER	1		X X	
17	19M7399	CAP SCREW	1		X X	M16 X 85
18	Z42551	WASHER	1		X X	
19	Z42282	BUSHING	1		X X	
20	26M4228	SHAFT KEY	1		X X	8 X 28 MM
21	AZ40307	PULLEY	1		X X	
22	Z11337	CLUTCH DISK	1		X X	
23	Z11687	CLUTCH DISK	1		X X	
24	Z11338	CLUTCH DISK	1		X X	
25	Z38293	COMPRESSION SPRING	1		X X	
26	24M7266	WASHER	1		X X	26 X 85 X 6 MM
27	14M7212	NUT	2		X X	M24
28	14M7140	NUT	AR		X X	M10
29	12M7013	LOCK WASHER	AR		X X	10.200 MM
30	Z38395	PRESSED FLANGED HOUSING	2		X X	
31	JD39103	BALL BEARING	1		X X	
32	03M7088	BOLT	AR		X X	M10 X 20
33	Z37952	PACKING	1		X X	
34	Z51771	GUARD	1		X X	

4G11

ELEVATORS, GRAIN TANK & UNLOADING AUGER

Z117313 -UN-01JAN94

CLEAN GRAIN ELEVATOR HEAD



Z117313

4G12

ELEVATORS, GRAIN TANK & UNLOADING AUGER

CLEAN GRAIN ELEVATOR HEAD - CONTINUED

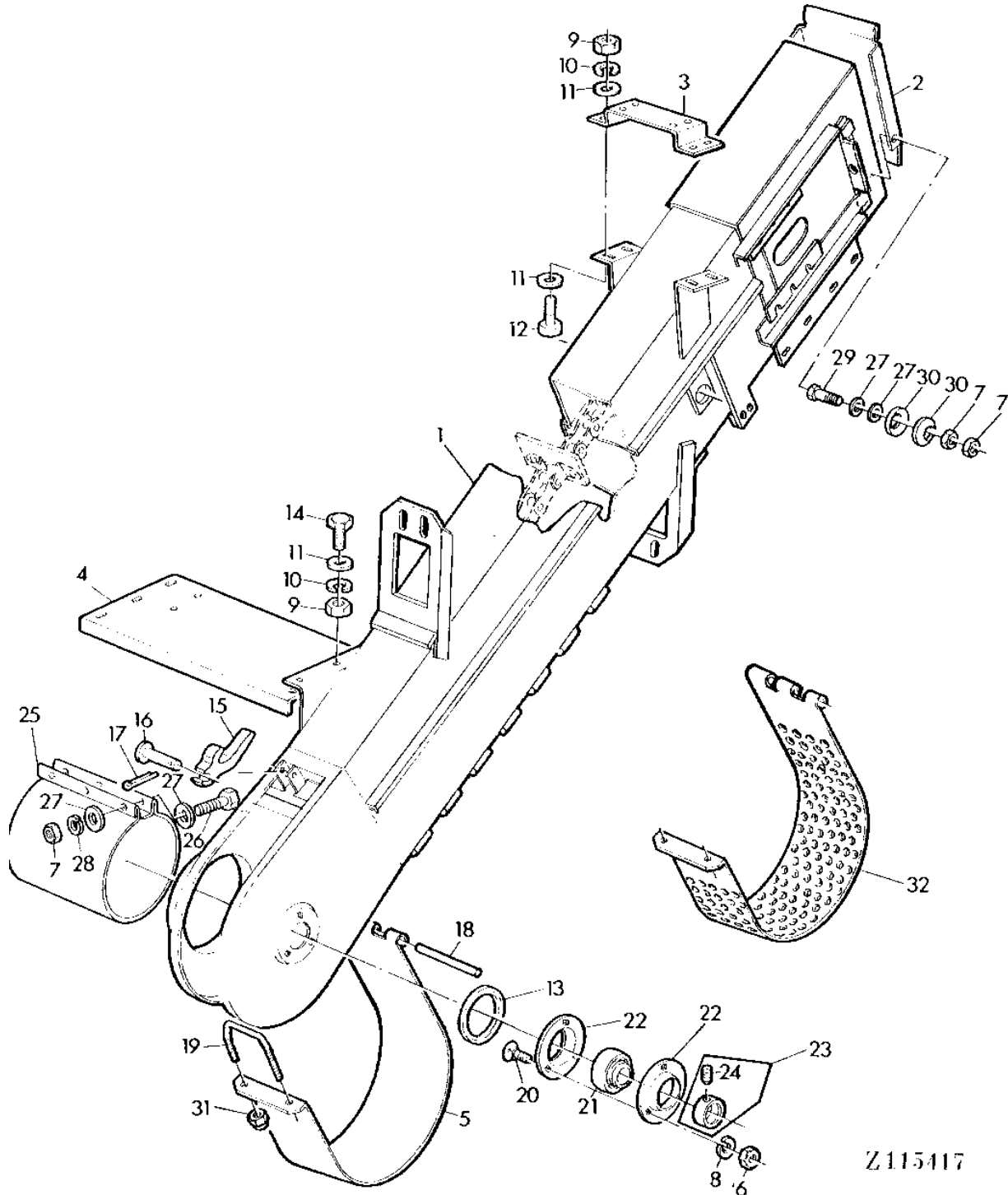
KEY	PART NO.	PART NAME	QTY	SERIAL NO.	4 4 4 3 4 5 3 H 5 Y	REMARKS
1	14M7166	LOCK NUT	AR		X X	M8
2	AZ35411	HOUSING	1		X X	
3	Z51312	SUPPORT	2		X X	
4	Z33445	SHAFT	1		X X	
5	Z11212	DRIVE SPROCKET	1		X X	8 TEETH
6	11M7025	COTTER PIN	1		X X	4 X 63 MM
7	49M4108	SHAFT KEY	2		X X	8 X 7 X 32 MM
8	Z44217	HOLDER	1		X X	
9	Z44030	TIGHTENER	1		X X	
10	03M7246	BOLT	1		X X	M10 X 60
11	19M8403	CAP SCREW	2		X X	M8 X 75
12	24M7036	WASHER	AR		X X	9 X 16 X 1.600 MM
13	12M7008	LOCK WASHER	AR		X X	8.100 MM
14	14M7029	NUT	AR		X X	M8
15	19M7162	CAP SCREW	AR		X X	M8 X 16
16	Z20285	WING NUT	1		X X	
17	12M7110	LOCK WASHER	AR		X X	21 MM
18	AZ32087	ROLLER CHAIN	1		X X	34 LINKS,
19	AL15953	LINK	AR		X X	
20	AL15954	LINK	AR		X X	
21	AZ35410	GUARD	1		X X	
22	21M7085	SCREW	AR		X X	M6 X 20
23	Z26250	WASHER	AR		X X	
24	12M7012	LOCK WASHER	AR		X X	6.100 MM
25	14M7027	NUT	AR		X X	M6
26	14M7167	LOCK NUT	AR		X X	M10
27	22M7147	SET SCREW	2		X X	M10 X 16
28	14M7152	NUT	AR		X X	M10
29	Z10117	CHAIN SPROCKET	1		X X	
30	AZ10044	ECCENTRIC LOCKING COLLAR	2		X X	
31	AZ19843	SET SCREW	2		X X	KIT
32	JD39102	BALL BEARING	2		X X	
33	P47232	PRESSED FLANGED HOUSING	4		X X	
34	03M7090	BOLT	AR		X X	M8 X 16
35	03M7054	BOLT	AR		X X	M8 X 20
36	Z36391	ANGLE	1		X X	
37	03M7135	BOLT	AR		X X	M8 X 25
38	19M7163	CAP SCREW	AR		X X	M8 X 25
39	Z44032	BUSHING	1		X X	
40	24M7178	WASHER	AR		X X	10.500 X 30 X 2.500 MM

4G13

ELEVATORS, GRAIN TANK & UNLOADING AUGER

Z115417 -UN-01JAN94

TAILINGS ELEVATOR



Z115417

4G14

ELEVATORS, GRAIN TANK & UNLOADING AUGER

TAILINGS ELEVATOR - CONTINUED

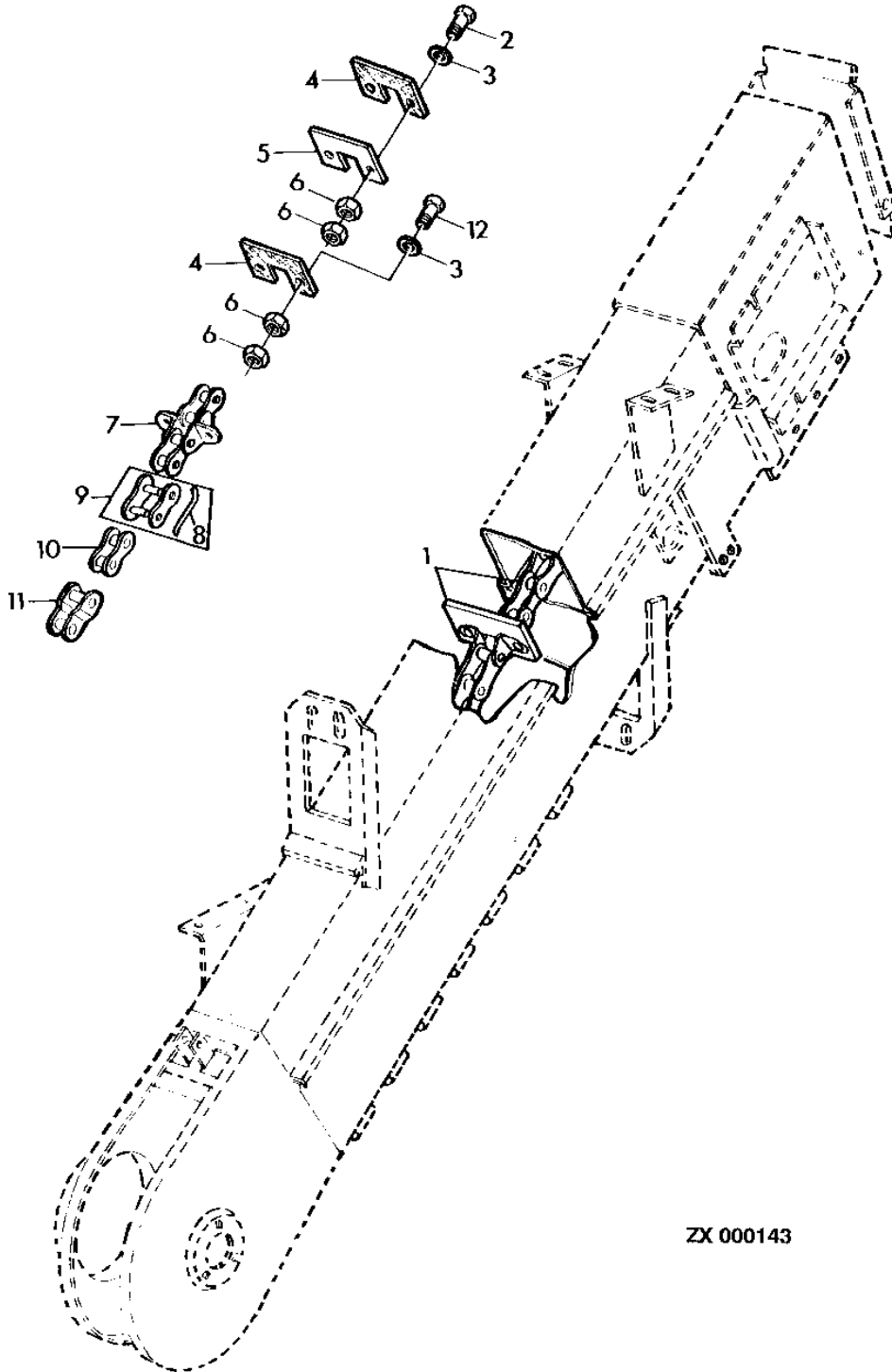
KEY	PART NO.	PART NAME	QTY	SERIAL NO.	4 4 4 3 4 5 3 H 5 Y	REMARKS
1	AZ35412	ELEVATOR	1		X X	
2	Z33415	COVER	1		X X	
3	Z34276	HOLDER	1		X X	
4	Z33412	SHEET	1		X X	
5	AZ35409	DOOR	1		X X	
6	14M7140	NUT	AR		X X	M10
7	14M7027	NUT	AR		X X	M6
8	12M7013	LOCK WASHER	AR		X X	10.200 MM
9	14M7029	NUT	AR		X X	M8
10	12M7008	LOCK WASHER	AR		X X	8.100 MM
11	24M7036	WASHER	AR		X X	9 X 16 X 1.600 MM
12	19M7163	CAP SCREW	AR		X X	M8 X 25
13	Z37952	PACKING	1		X X	
14	19M7139	CAP SCREW	AR		X X	M8 X 20
15	Z11406	LEVER	1		X X	
16	Z21059	PIN	1		X X	
17	11M7009	COTTER PIN	1		X X	2 X 16 MM
18	Z20627	PIN	1		X X	
19	Z20619	U-BOLT	1		X X	
20	03M7088	BOLT	3		X X	M10 X 20
21	JD39103	BALL BEARING	1		X X	
22	Z38395	PRESSED FLANGED HOUSING	2		X X	
23	AZ10045	ECCENTRIC LOCKING COLLAR	1		X X	INCL.KEY 24
24	AZ19843	SET SCREW	1		X X	KIT
25	AZ35685	EXTENSION	1		X X	
26	19M7286	CAP SCREW	AR		X X	M6 X 25
27	Z26250	WASHER	AR		X X	
28	12M7012	LOCK WASHER	AR		X X	6.100 MM
29	19M7077	CAP SCREW	2		X X	M6 X 20
30	Z41726	DISK SPRING	4		X X	
31	14M7166	LOCK NUT	2		X X	M8
32	AZ40790	FLAP	1		X X	AS REQUIRED

4G15

ELEVATORS, GRAIN TANK & UNLOADING AUGER

ZX000143 -UN-15MAY96

TAILINGS ELEVATOR CHAIN



ZX 000143

4G16

ELEVATORS, GRAIN TANK & UNLOADING AUGER

TAILINGS ELEVATOR CHAIN - CONTINUED

KEY	PART NO.	PART NAME	QTY	SERIAL NO.		REMARKS
					4	
					4	
					4 3	
					4 5	
					3 H	
					5 Y	
1	AZ41083	GATHERER CHAIN	1		X X	144 LINKS, (INCL.KEYS (18)4, (3)5, 9), (SUB AZ44109)
	AZ44109	GATHERER CHAIN	1		X X	144 LINKS, (INCL.KEYS (18)4, (3)5, 9)
2	19M7298	CAP SCREW	AR		X X	M8 X 35
3	24M7024	WASHER	AR		X X	9 X 28 X 3 MM
4	Z52361	PADDLE	18		X X	RUBBER, (FOR AZ41083)
	Z55621	PADDLE	18		X X	(FOR AZ44109)
5	Z52360	PADDLE	3		X X	STEEL, (FOR AZ41083)
	Z55620	PADDLE	3		X X	(FOR AZ44109)
6	14M7029	NUT	AR		X X	M8
7	AZ41089	GATHERER CHAIN	AR		X X	3 LINKS
8	Z42619	RETAINER	AR		X X	
9	AZ27728	GATHERER CHAIN	AR		X X	
10	AZ27727	LINK CHAIN	AR		X X	
11	AZ28032	CHAIN LINK	AR		X X	
12	19M7288	CAP SCREW	AR		X X	M8 X 30

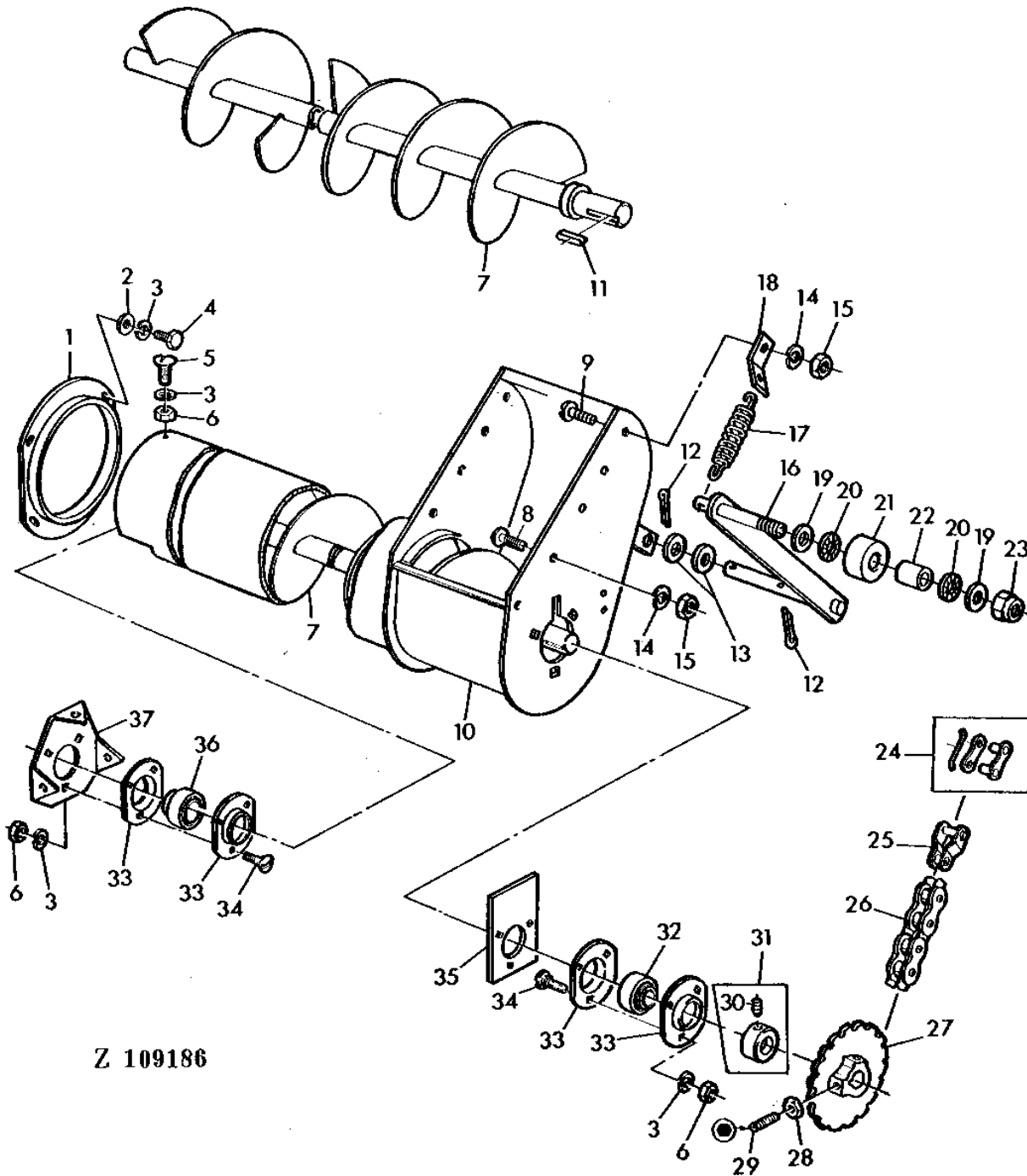
4G17

ELEVATORS, GRAIN TANK & UNLOADING AUGER

Z109186

-UN-01JAN94

UPPER TAILINGS AUGER AND HOUSING



Z 109186

4G18

ELEVATORS, GRAIN TANK & UNLOADING AUGER

UPPER TAILINGS AUGER AND HOUSING - CONTINUED

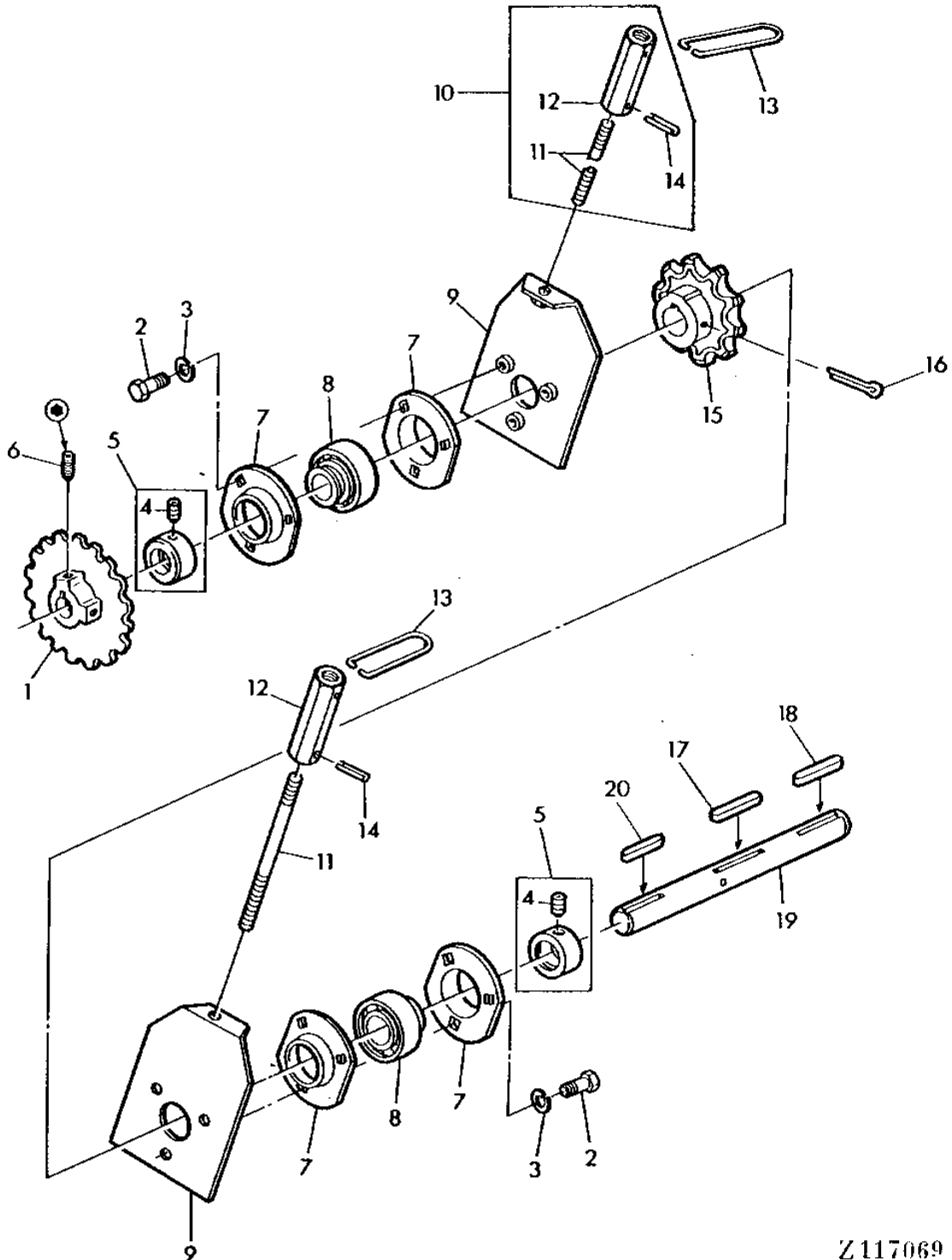
KEY	PART NO.	PART NAME	QTY	SERIAL NO.	REMARKS
					4
					4
					4 3
					4 5
					3 H
					5 Y
1	AZ23244	RING	1		X X
2	24M7036	WASHER	AR		X X 9 X 16 X 1.600 MM
3	12M7008	LOCK WASHER	AR		X X 8.100 MM
4	19M7162	CAP SCREW	4		X X M8 X 16
5	21M7081	SCREW	3		X X M8 X 15
6	14M7029	NUT	AR		X X M8
7	AZ38305	AUGER	1		X X
8	21M7087	SCREW	7		X X M6 X 12
9	21M7085	SCREW	1		X X M6 X 20
10	AZ38304	HOUSING	1		X X
11	49M4111	SHAFT KEY	1		X X 8 X 7 X 40 MM
12	11M7013	COTTER PIN	2		X X 3.200 X 18 MM
13	24M7028	WASHER	2		X X 10.500 X 20 X 2 MM
14	12M7012	LOCK WASHER	8		X X 6.100 MM
15	14M7027	NUT	8		X X M6
16	AZ35565	CRANK	1		X X
17	Z43042	SPRING	1		X X
18	Z22572	HOLDER	1		X X
19	24M7178	WASHER	2		X X 10.500 X 30 X 2.500 MM
20	12M7110	LOCK WASHER	2		X X 21 MM
21	Z44030	TIGHTENER	1		X X
22	Z44032	BUSHING	1		X X
23	14M7167	LOCK NUT	1		X X M10
24	AL15954	LINK	1		X X
25	AL15953	LINK	1		X X
26	AZ35566	ROLLER CHAIN	1		X X 41 LINKS
27	Z11661	CHAIN SPROCKET	1		X X 16 TEETH
28	14M7152	NUT	2		X X M10
29	22M7010	SET SCREW	2		X X M10 X 30
30	AZ19843	SET SCREW	1		X X KIT
31	AZ10044	ECCENTRIC LOCKING COLLAR	1		X X
32	JD39102	BALL BEARING	1		X X
33	P47232	PRESSED FLANGED HOUSING	4		X X
34	03M7090	BOLT	6		X X M8 X 16
35	Z20198	HOLDER	1		X X
36	AZ17305	BEARING	1		X X
37	Z47885	HOLDER	1		X X

4G19

ELEVATORS, GRAIN TANK & UNLOADING AUGER

Z117069 -UN-01JAN94

TAILINGS AUGER DRIVE IDLER



Z117069

4G20

ELEVATORS, GRAIN TANK & UNLOADING AUGER

TAILINGS AUGER DRIVE IDLER - CONTINUED

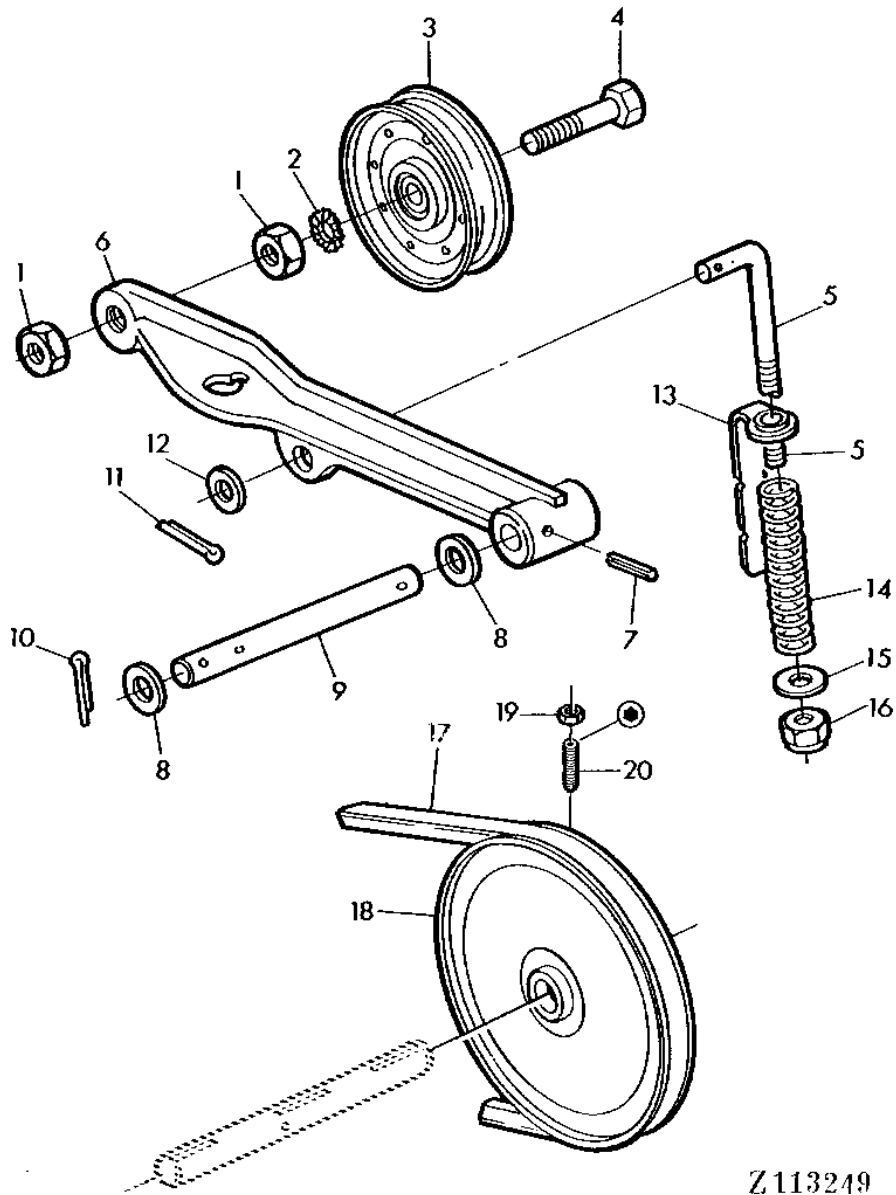
KEY	PART NO.	PART NAME	QTY	SERIAL NO.	4 4 4 3 4 5 3 H 5 Y	REMARKS
1	Z10117	CHAIN SPROCKET	1		X X	16 TEETH
2	19M7162	CAP SCREW	6		X X	M8 X 16
3	12M7008	LOCK WASHER	6		X X	8.100 MM
4	AZ19843	SET SCREW	2		X X	KIT
5	AZ10044	ECCENTRIC LOCKING COLLAR	2		X X	
6	22M7147	SET SCREW	1		X X	M10 X 16
7	P47232	PRESSED FLANGED HOUSING	4		X X	
8	JD39102	BALL BEARING	2		X X	
9	AZ35568	SUPPORT	2		X X	
10	AZ35564	TURNBUCKLE	2		X X	
11	STUD	2		X X	(ORDER AZ35564)
12	NUT	2		X X	(ORDER AZ35564)
13	Z35314	BAIL	2		X X	
14	34M7027	SPRING PIN	2		X X	4 X 20 MM
15	Z11212	DRIVE SPROCKET	1		X X	8 TEETH
16	11M7034	COTTER PIN	1		X X	5 X 63 MM
17	49M5995	SHAFT KEY	1		X X	8 X 7 X 63 MM
18	49M4111	SHAFT KEY	1		X X	8 X 7 X 40 MM
19	Z51021	PIN	1		X X	
20	49M4836	SHAFT KEY	1		X X	8 X 7 X 45 MM

4G21

ELEVATORS, GRAIN TANK & UNLOADING AUGER

Z113249 -UN-01JAN94

TAILINGS ELEVATOR DRIVE



Z113249

4G22

ELEVATORS, GRAIN TANK & UNLOADING AUGER

TAILINGS ELEVATOR DRIVE - CONTINUED

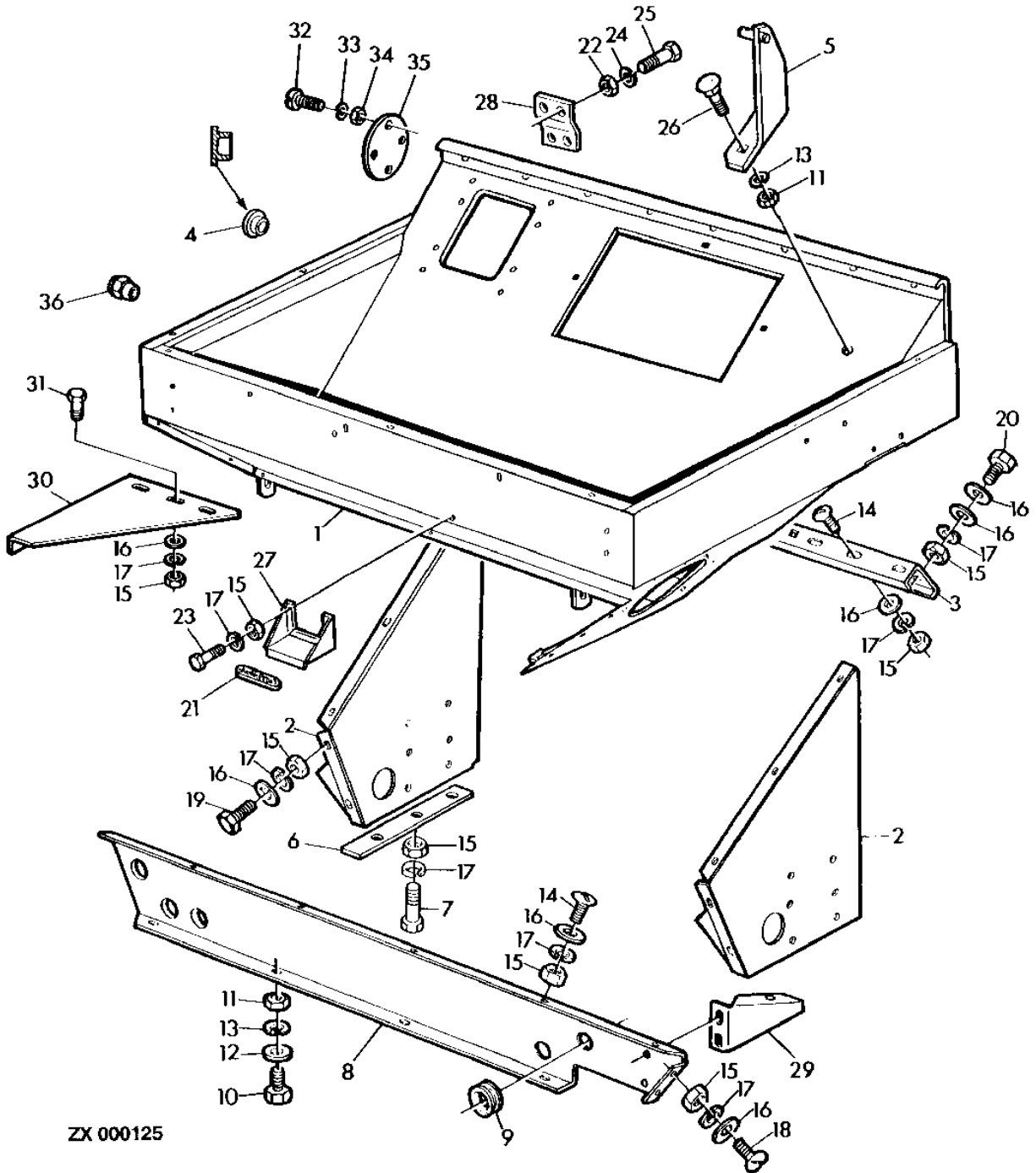
KEY	PART NO.	PART NAME	QTY	SERIAL NO.	4 4 4 3 4 5 3 H 5 Y	REMARKS
1	14M7260	NUT	AR		X X	M16
2	12M7052	LOCK WASHER	AR		X X	17 MM
3	AZ35611	IDLER	1		X X	
4	19M7399	CAP SCREW	1		X X	M16 X 85
5	Z47844	HOOK BOLT	1		X X	
6	Z11807	LEVER	1		X X	
7	34M7062	SPRING PIN	1		X X	5 X 32 MM
8	24M7049	WASHER	AR		X X	17.500 X 30 X 3 MM
9	Z51517	PIN	1		X X	
10	11M7021	COTTER PIN	1		X X	4 X 25 MM
11	11M7013	COTTER PIN	1		X X	3.200 X 18 MM
12	24M7040	WASHER	AR		X X	11 X 20 X 2 MM
13	Z46373	POINTER	1		X X	
14	L20624	SPRING	1		X X	
15	L18519	WASHER	1		X X	(SUB 24M7028)
	24M7028	WASHER	1		X X	10.500 X 20 X 2 MM
16	14M7167	LOCK NUT	AR		X X	M10
17	Z45026	BELT	1		X X	2005 MM (78.94") LONG
18	AZ39169	PULLEY	1		X X	
19	14M7152	NUT	2		X X	M10
20	22M7010	SET SCREW	2		X X	M10 X 30

4G23

ELEVATORS, GRAIN TANK & UNLOADING AUGER

ZX000125 -UN-11JUL96

GRAIN TANK



ZX 000125

4G24

ELEVATORS, GRAIN TANK & UNLOADING AUGER

GRAIN TANK - CONTINUED

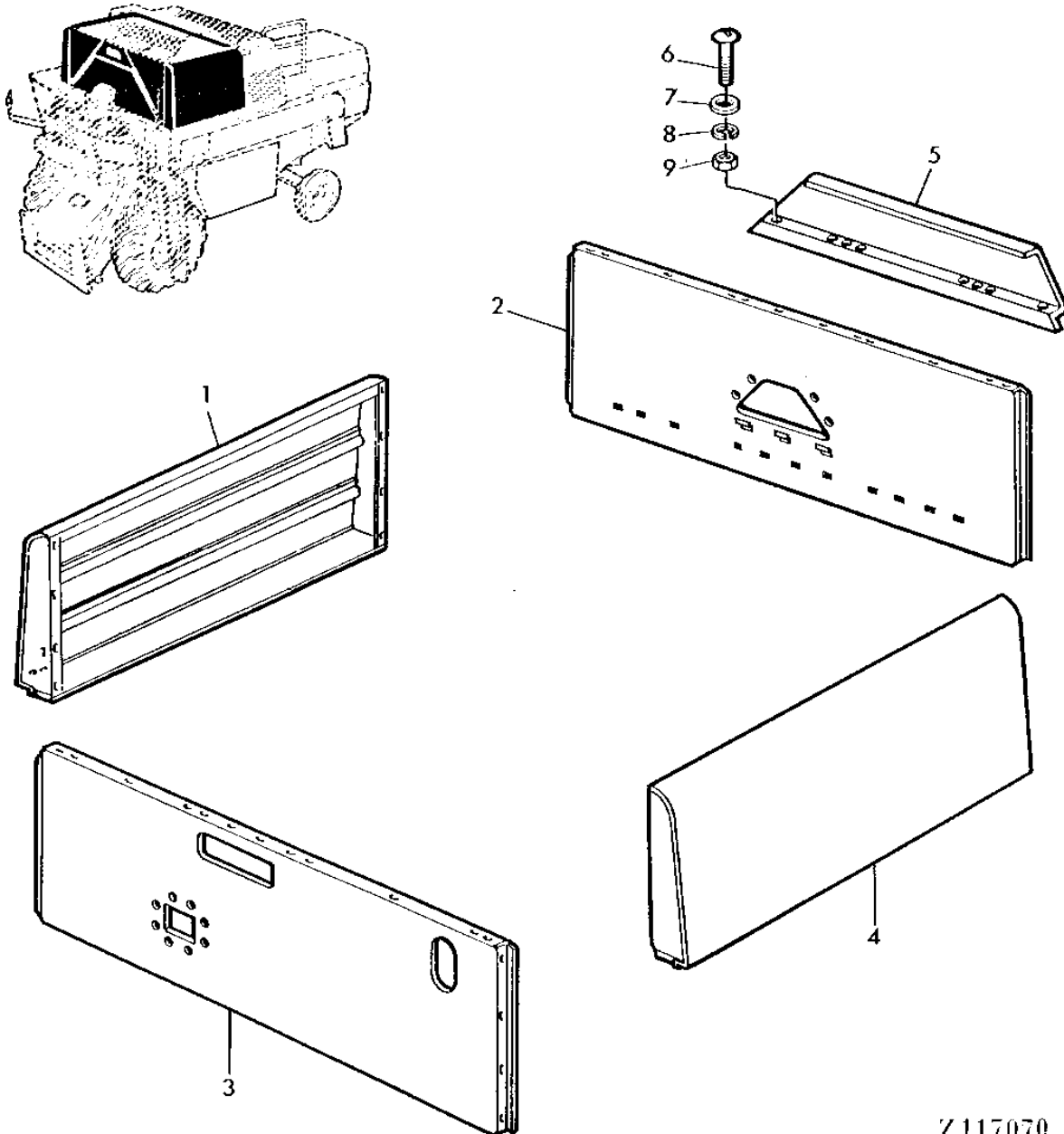
KEY	PART NO.	PART NAME	QTY	SERIAL NO.	4 4 4 3 4 5 3 H 5 Y	REMARKS
1	AZ40106 AZ42411	TANK TANK	1 1	-056747	X X X	(SUB AZ42411) (INCL. KEY 35), (SUB AZ44446 ALSO ORDER (2) Z56268)
2	AZ44446 Z33245 Z56268	TANK PANEL PANEL	1 2 2	056748- -056747 056748-	X X X X X X	(INCL. KEYS 35, (3)36)
3	Z51218	BRACKET	1		X X	
4	Z31547	PLUG	5		X X	O.D. = 16MM (0.63")
5	AZ29982	SUPPORT	1		X X	
6	Z36744	STRAP	2		X X	AR
7	19M7288	CAP SCREW	AR		X X	M8 X 30
8	Z53003	BEAM	1		X X	
9	Z34467	GROMMET	2		X X	
10	19M7167	CAP SCREW	AR		X X	M10 X 25
11	14M7140	NUT	AR		X X	M10
12	24M7040	WASHER	AR		X X	11 X 20 X 2 MM
13	12M7013	LOCK WASHER	AR		X X	10.200 MM
14	21M7160	SCREW	AR		X X	M8 X 18
15	14M7029	NUT	AR		X X	M8
16	24M7036	WASHER	AR		X X	9 X 16 X 1.600 MM
17	12M7008	LOCK WASHER	AR		X X	8.100 MM
18	21M7125	SCREW	AR		X X	M8 X 25
19	19M7376	CAP SCREW	AR		X X	M8 X 22
20	21M7089	SCREW	AR		X X	M8 X 20
21	Z34592	GUARD	2		X X	
22	14M7027	NUT	AR		X X	M6
23	19M7139	CAP SCREW	AR		X X	M8 X 20
24	12M7012	LOCK WASHER	AR		X X	6.100 MM
25	19M7375	CAP SCREW	AR		X X	M6 X 18
26	03M7084	BOLT	AR		X X	M10 X 25
27	Z39038	STEP	2		X X	
28	Z40323	HOLDER	2		X X	
29	Z48007	RETAINER	AR		X X	
30	Z44267	REINFORCEMENT	1		X X	
31	19M7284	CAP SCREW	AR		X X	M8 X 18
32	21M7092	SCREW	AR		X X	M5 X 25
33	12M7011	LOCK WASHER	AR		X X	5.100 MM
34	14M7028	NUT	AR		X X	M5
35	Z53381	COVER	1		X X	
36	Z51801	NUT	AR	056748-	X X	

4H1

ELEVATORS, GRAIN TANK & UNLOADING AUGER

Z117070 -UN-01JAN94

GRAIN TANK SHEETS



Z117070

4H2

ELEVATORS, GRAIN TANK & UNLOADING AUGER

GRAIN TANK SHEETS - CONTINUED

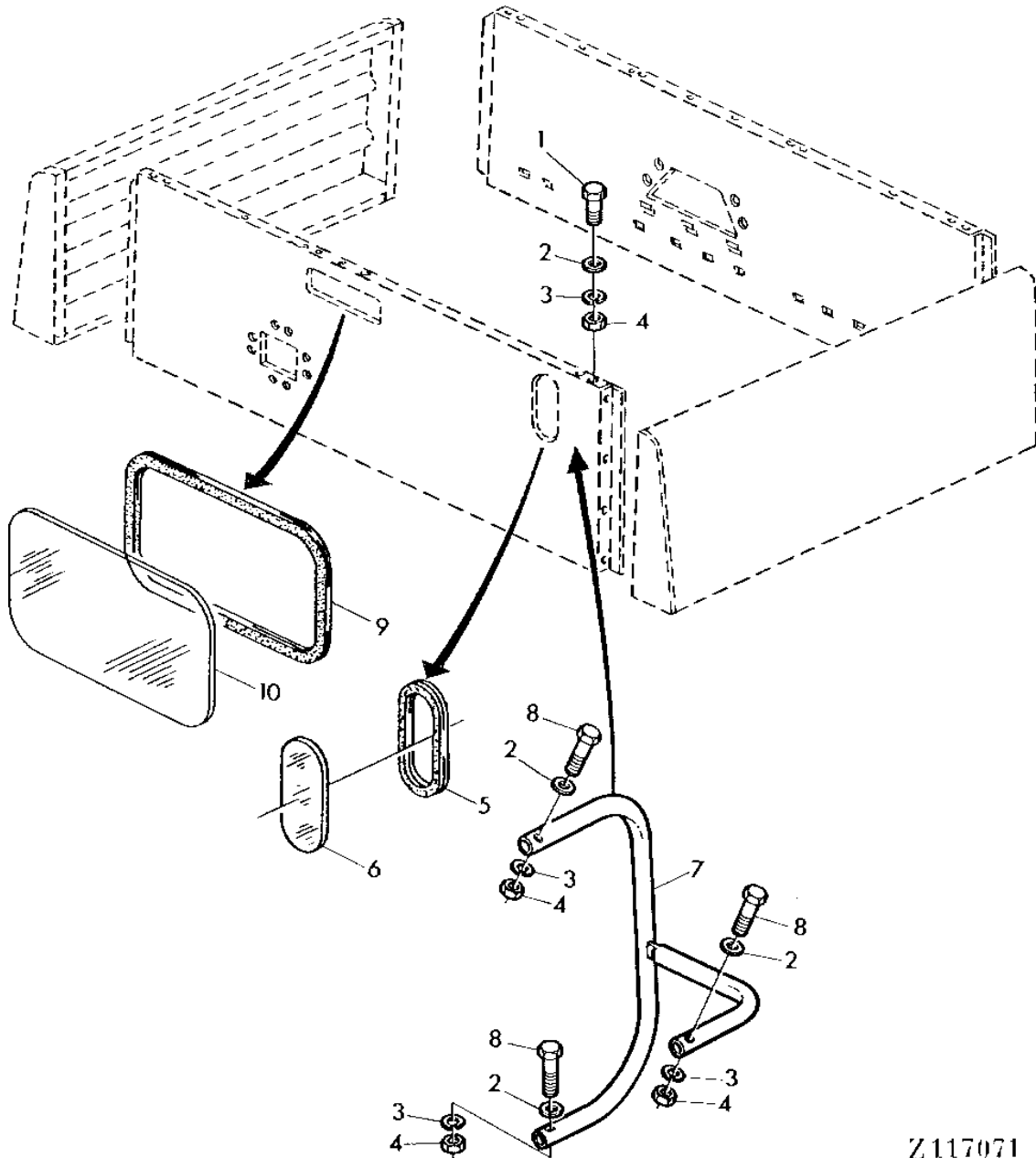
KEY	PART NO.	PART NAME	QTY	SERIAL NO.	4 4 4 3 4 5 3 H 5 Y	REMARKS
1	AZ29965	SIDE WALL	1		X X	
2	AZ37748	PARTITION	1		X X	
3	AZ37746	PARTITION	1		X X	
4	AZ29964	SIDE WALL	1		X X	
5	Z40589	DEFLECTOR	1		X X	
6	21M7160	SCREW	AR		X X	M8 X 18
7	24M7036	WASHER	AR		X X	9 X 16 X 1.600 MM
8	12M7008	LOCK WASHER	AR		X X	8.100 MM
9	14M7029	NUT	AR		X X	M8

4H3

ELEVATORS, GRAIN TANK & UNLOADING AUGER

Z117071 -UN-01JAN94

GRAIN TANK WINDOWS AND HANDRAIL



Z117071

4H4

ELEVATORS, GRAIN TANK & UNLOADING AUGER

GRAIN TANK WINDOWS AND HANDRAIL - CONTINUED

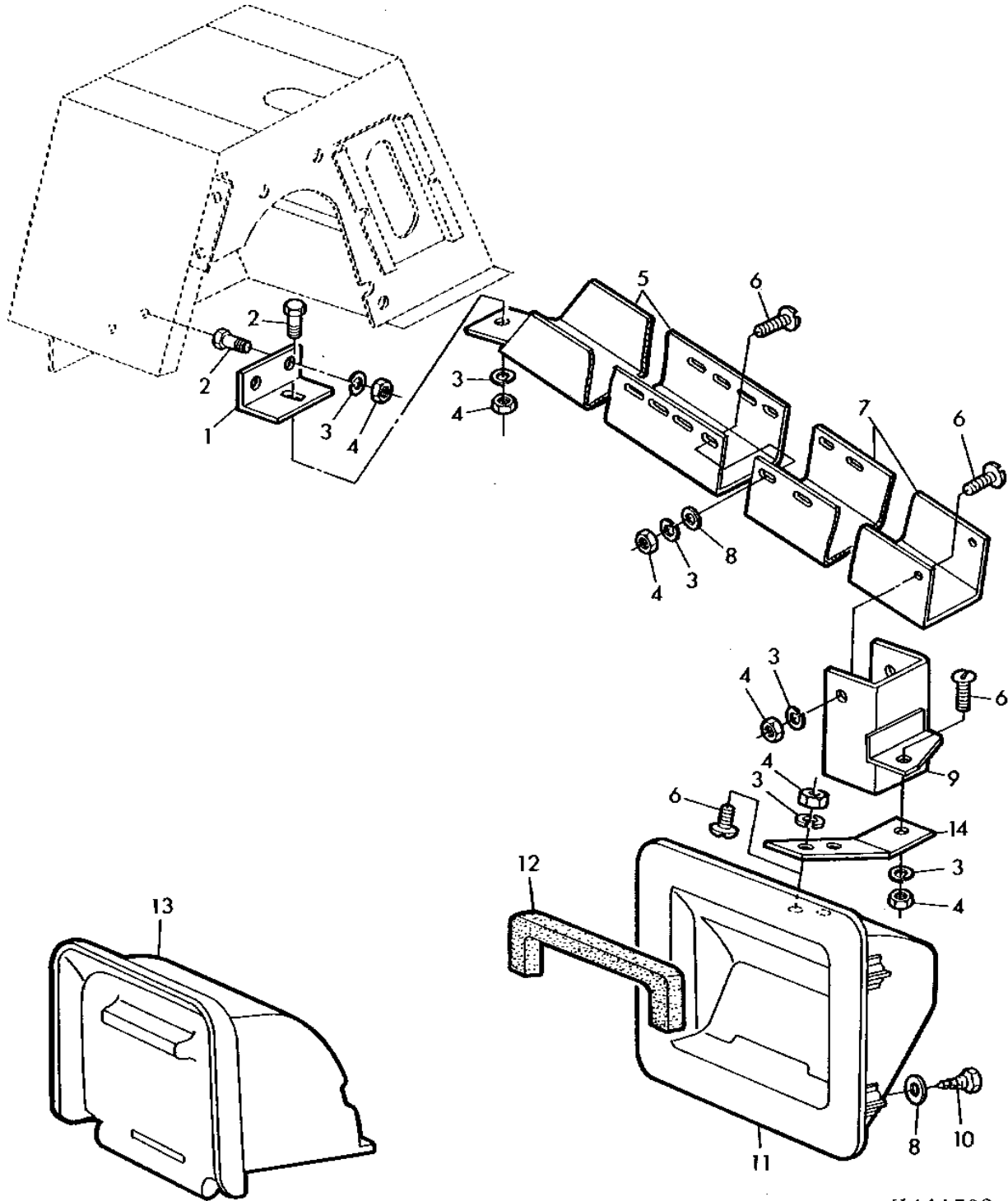
KEY	PART NO.	PART NAME	QTY	SERIAL NO.	4 4 4 3 4 5 3 H 5 Y	REMARKS
1	19M7284	CAP SCREW	AR		X X	M8 X 18
2	24M7036	WASHER	AR		X X	9 X 16 X 1.600 MM
3	12M7008	LOCK WASHER	AR		X X	8.100 MM
4	14M7029	NUT	AR		X X	M8
5	Z23294	GASKET	2		X X	
6	Z23295	WINDOWPANE	2		X X	
7	AZ35045	HANDRAIL	1		X X	
8	19M7323	CAP SCREW	3		X X	M8 X 40
9	Z40368	GUARD	1		X X	
10	Z40367	WINDOWPANE	1		X X	

4H5

ELEVATORS, GRAIN TANK & UNLOADING AUGER

Z111592 -UN-01JAN94

GRAIN TANK SAMPLE



Z111592

4H6

ELEVATORS, GRAIN TANK & UNLOADING AUGER

GRAIN TANK SAMPLE - CONTINUED

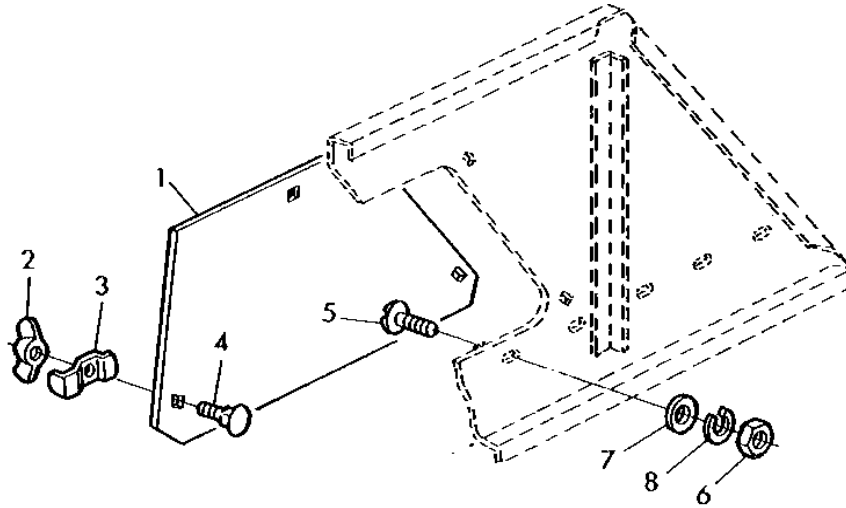
KEY	PART NO.	PART NAME	QTY	SERIAL NO.	4 4 4 3 4 5 3 H 5 Y	REMARKS
1	Z44244	ANGLE	1		X X	
2	19M7159	CAP SCREW	AR		X X	M6 X 15
3	12M7012	LOCK WASHER	AR		X X	6.100 MM
4	14M7027	NUT	AR		X X	M6
5	Z44662	CHUTE	1		X X	
6	21M7127	SCREW	AR		X X	M6 X 18
7	Z44663	CHUTE	1		X X	
8	Z26250	WASHER	AR		X X	
9	AZ35058	GUARD	1		X X	
10	37M7009	SCREW	AR		X X	5,5 X 19MM
11	Z44457	FRAME	1		X X	
12	Z44517	GASKET	1		X X	
13	AZ36274	CONTAINER	1		X X	
14	Z44664	SUPPORT	1		X X	

4H7

ELEVATORS, GRAIN TANK & UNLOADING AUGER

Z109192 -UN-01JAN94

GRAIN TANK ACCESS DOOR



Z 109192

4
4
4 3
4 5
3 H
5 Y

KEY	PART NO.	PART NAME	QTY	SERIAL NO.	REMARKS
1	Z43992	COVER	1		X X
2	14M7020	WING NUT	3		X X M8
3	Z20367	CLAMP	3		X X
4	03M7093	BOLT	3		X X M8 X 25
5	21M7127	SCREW	AR		X X M6 X 18
6	14M7027	NUT	AR		X X M6
7	Z26250	WASHER	AR		X X
8	12M7012	LOCK WASHER	AR		X X 6.100 MM

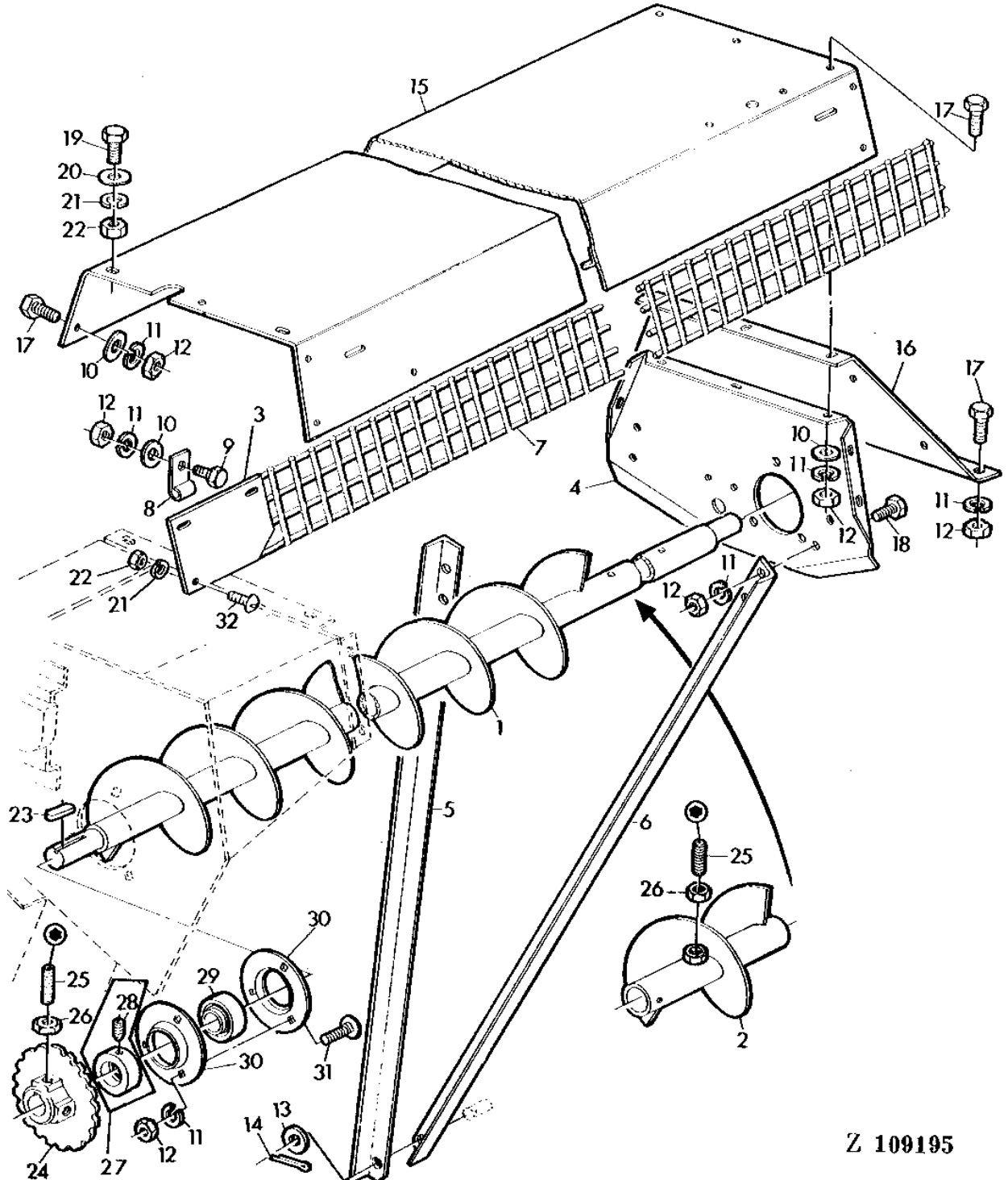
MEMORANDA

4H8

ELEVATORS, GRAIN TANK & UNLOADING AUGER

Z109195 -UN-01JAN94

GRAIN TANK LEVELING AUGER



Z 109195

4H9

ELEVATORS, GRAIN TANK & UNLOADING AUGER

GRAIN TANK LEVELING AUGER - CONTINUED

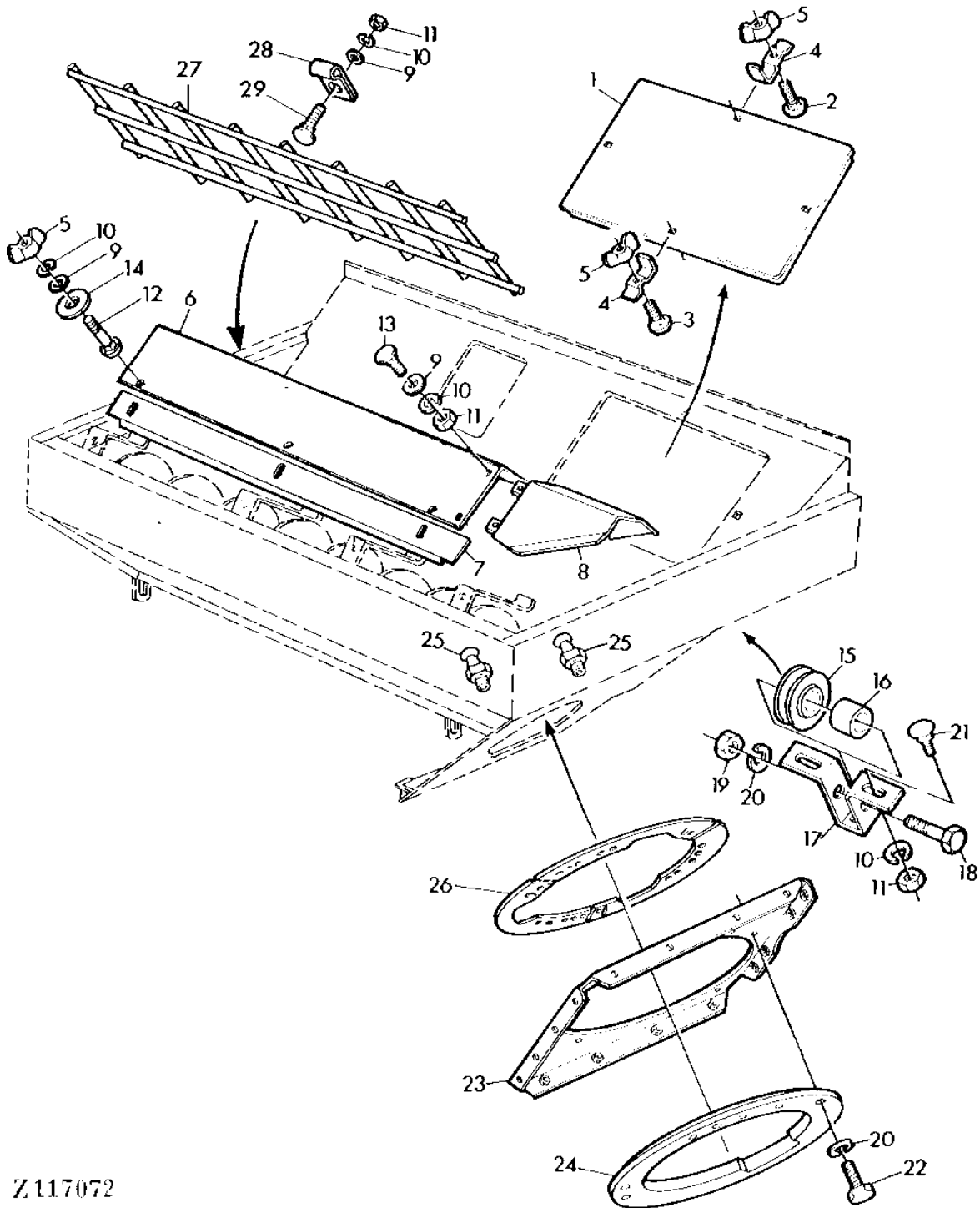
KEY	PART NO.	PART NAME	QTY	SERIAL NO.	4 4 4 3 4 5 3 H 5 Y	REMARKS
1	AZ25685	AUGER	1		X X	
2	AZ31512	FLIGHT	2		X X	
3	Z36521	HOLDER	AR		X X	
4	Z40344	SHEET	1		X X	
5	Z40343	ANGLE	1		X X	
6	Z40342	ANGLE	1		X X	
7	AZ23810	GRILLE	1		X X	
8	Z22561	CLAMP	4		X X	
9	19M7284	CAP SCREW	AR		X X	M8 X 18
10	24M7036	WASHER	AR		X X	9 X 16 X 1.600 MM
11	12M7008	LOCK WASHER	AR		X X	8.100 MM
12	14M7029	NUT	AR		X X	M8
13	24M7107	WASHER	AR		X X	14 X 28 X 3 MM
14	11M7012	COTTER PIN	AR		X X	3.200 X 16 MM
15	AZ30978	GUARD	1		X X	
16	Z40562	PLATE	1		X X	
17	19M7162	CAP SCREW	AR		X X	M8 X 16
18	19M7139	CAP SCREW	AR		X X	M8 X 20
19	19M7159	CAP SCREW	AR		X X	M6 X 15
20	Z26250	WASHER	AR		X X	
21	12M7012	LOCK WASHER	AR		X X	6.100 MM
22	14M7027	NUT	AR		X X	M6
23	49M4108	SHAFT KEY	1		X X	8 X 7 X 32 MM
24	Z11661	CHAIN SPROCKET	1		X X	
25	22M7147	SET SCREW	4		X X	M10 X 16
26	14M7152	NUT	AR		X X	M10
27	AZ10044	ECCENTRIC LOCKING COLLAR	2		X X	
28	AZ19843	SET SCREW	2		X X	KIT
29	JD39102	BALL BEARING	2		X X	
30	P47232	PRESSED FLANGED HOUSING	4		X X	
31	03M7090	BOLT	AR		X X	M8 X 16
32	21M7087	SCREW	AR		X X	M6 X 12

4H10

ELEVATORS, GRAIN TANK & UNLOADING AUGER

Z117072 -UN-01JAN94

INNER UNLOADING AUGER COVERS



Z117072

4H11

ELEVATORS, GRAIN TANK & UNLOADING AUGER

INNER UNLOADING AUGER COVERS - CONTINUED

KEY	PART NO.	PART NAME	QTY	SERIAL NO.	4 4 4 3 4 5 3 H 5 Y	REMARKS
1	Z35406	COVER	1		X X	
2	03M7093	BOLT	AR		X X	M8 X 25
3	03M7094	BOLT	AR		X X	M8 X 30
4	Z20367	CLAMP	4		X X	
5	14M7020	WING NUT	AR		X X	M8
6	Z47950	SHIELD	1		X X	
7	Z47937	ANGLE	2		X X	
8	AZ38256	SHIELD	1		X X	
9	24M7036	WASHER	AR		X X	9 X 16 X 1.600 MM
10	12M7008	LOCK WASHER	AR		X X	8.100 MM
11	14M7029	NUT	AR		X X	M8
12	03M7054	BOLT	AR		X X	M8 X 20
13	21M7081	SCREW	AR		X X	M8 X 15
14	24M7039	WASHER	AR		X X	9 X 28 X 3 MM
15	Z32900	ROLLER	1		X X	
16	Z34438	SPACER	1		X X	
17	Z33379	HOLDER	1		X X	
18	19M7169	CAP SCREW	AR		X X	M10 X 35
19	14M7140	NUT	AR		X X	M10
20	12M7013	LOCK WASHER	AR		X X	10.200 MM
21	03M7135	BOLT	AR		X X	M8 X 25
22	19M7183	CAP SCREW	AR		X X	M10 X 40
23	AZ26082	ROTATOR	1		X X	
24	Z11065	CIRCLE	1		X X	
25	JD7797	LUBRICATION FITTING	2		X X	
26	Z36002	SECTOR	3		X X	
27	AZ41095	GRILLE	1		X X	
28	Z22561	CLAMP	3		X X	
29	03M7128	BOLT	AR		X X	M8 X 20

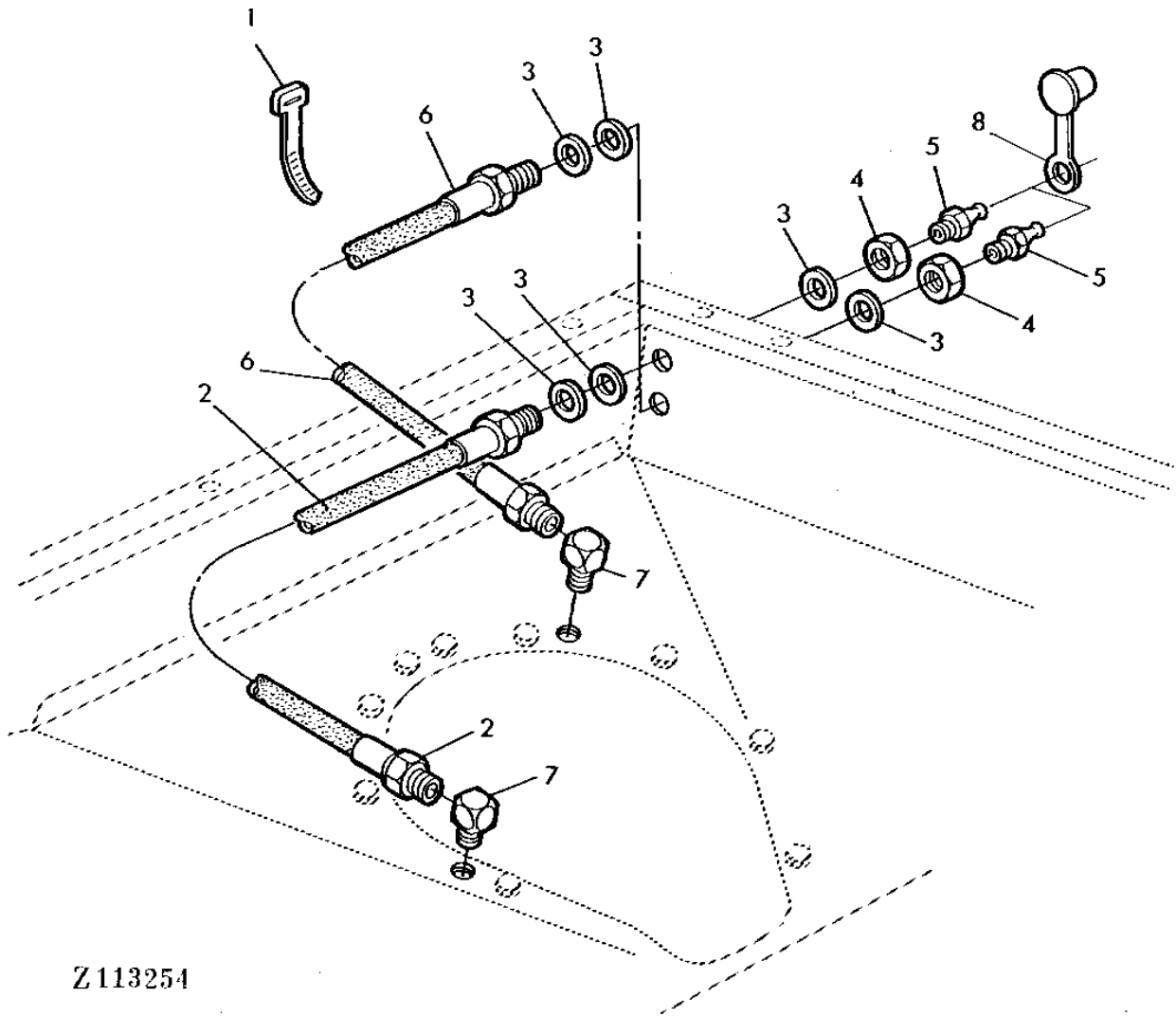
4H12

ELEVATORS, GRAIN TANK & UNLOADING AUGER

Z113254

-UN-01JAN94

CENTRAL LUBRICATING POINT - UNLOADING AUGER



Z113254

4H13

ELEVATORS, GRAIN TANK & UNLOADING AUGER

CENTRAL LUBRICATING POINT - UNLOADING AUGER - CONTINUED

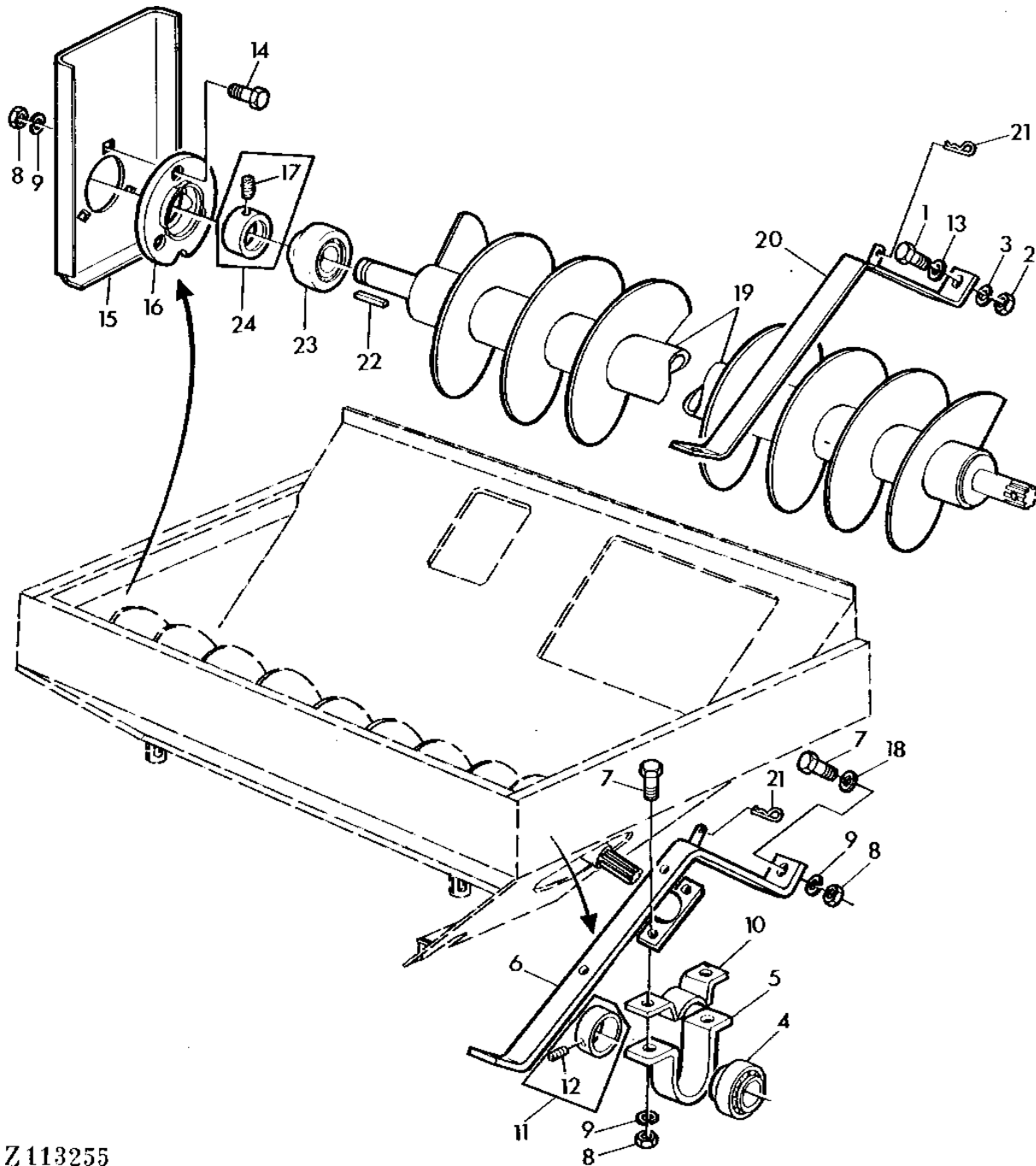
KEY	PART NO.	PART NAME	QTY	SERIAL NO.	REMARKS
					4
					4
					4 3
					4 5
					3 H
					5 Y
1	R44302	TIE BAND	1		X X
2	AZ36314	HYDRAULIC HOSE	1		X X
3	24M7028	WASHER	AR		X X 10.500 X 20 X 2 MM
4	E12378	ELBOW FITTING	2		X X
5	JD7797	LUBRICATION FITTING	2		X X
6	AZ38097	HYDRAULIC HOSE	1		X X
7	JD7845	LUBRICATION FITTING	2		X X
8	Z48002	GUARD	2		X X

4H14

ELEVATORS, GRAIN TANK & UNLOADING AUGER

Z113255 -UN-01JAN94

GRAIN TANK INNER UNLOADING AUGER



Z113255

4H15

ELEVATORS, GRAIN TANK & UNLOADING AUGER

GRAIN TANK INNER UNLOADING AUGER - CONTINUED

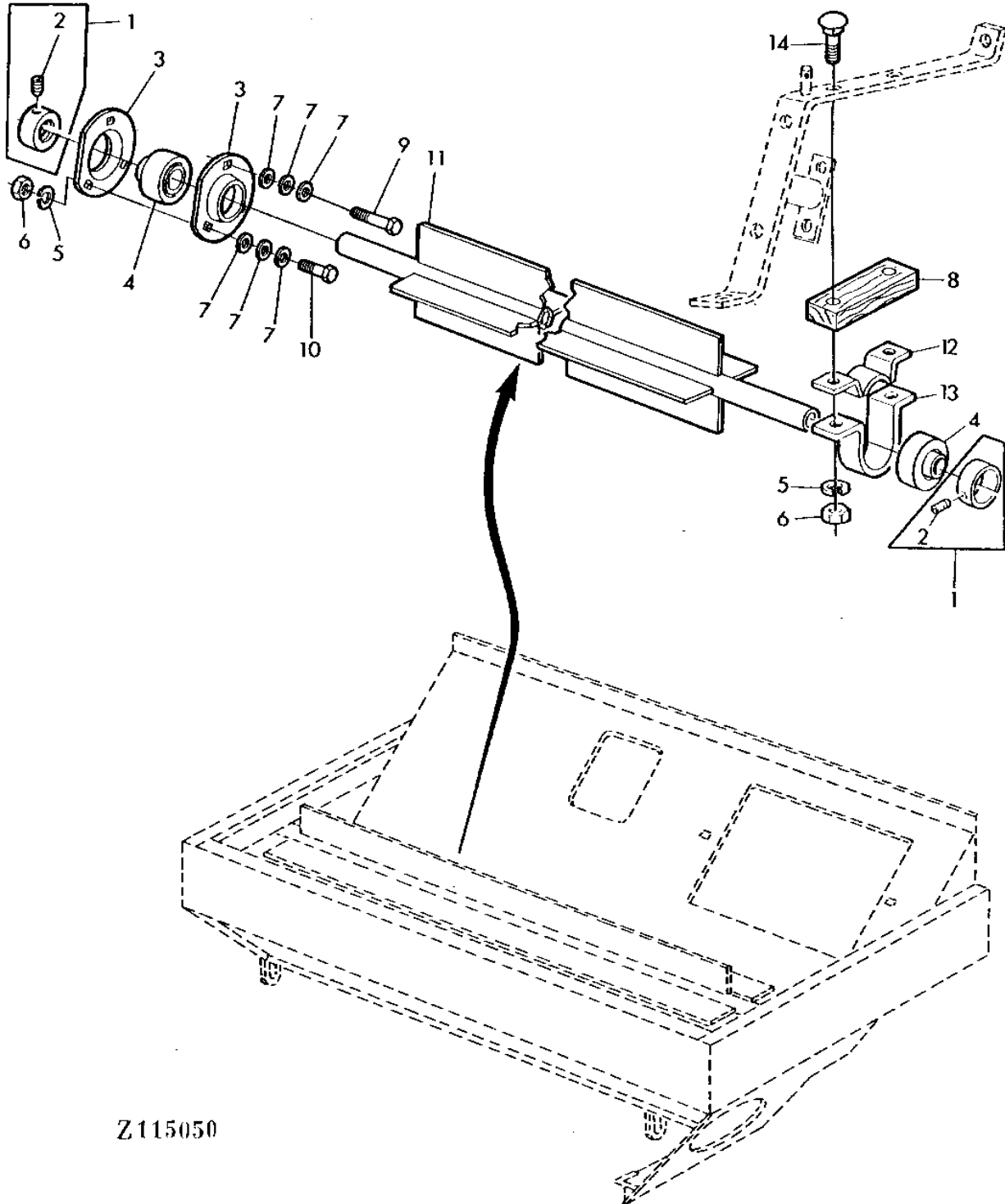
KEY	PART NO.	PART NAME	QTY	SERIAL NO.	4 4 4 3 4 5 3 H 5 Y	REMARKS
1	19M7163	CAP SCREW	1		X X	
2	14M7029	NUT	1		X X	M8
3	12M7008	LOCK WASHER	AR		X X	8.100 MM
4	JD39103	BALL BEARING	1		X X	
5	Z35893	BAIL	AR		X X	
6	AZ38257	RETAINER	1		X X	
7	19M7167	CAP SCREW	AR		X X	M10 X 25
8	14M7140	NUT	AR		X X	M10
9	12M7013	LOCK WASHER	AR		X X	10.200 MM
10	Z35894	BAIL	AR		X X	
11	AZ10045	ECCENTRIC LOCKING COLLAR	1		X X	
12	AZ19844	SET SCREW	1		X X	KIT
13	24M7036	WASHER	AR		X X	9 X 16 X 1.600 MM
14	19M7168	CAP SCREW	AR		X X	M10 X 30
15	Z48029	SUPPORT	1		X X	M10 X 1
16	Z11815	QUILL	1		X X	
17	AZ19845	SET SCREW	1		X X	KIT
18	24M7040	WASHER	AR		X X	11MM
19	AZ36027	AUGER	1		X X	
20	AZ38253	RETAINER	3		X X	
21	L18950	CLIP	4		X X	
22	49M4120	SHAFT KEY	1		X X	10 X 8 X 40 MM
23	AZ19427	BALL BEARING	1		X X	
24	AZ10020	ECCENTRIC LOCKING COLLAR	1		X X	

4H16

ELEVATORS, GRAIN TANK & UNLOADING AUGER

Z115050 -UN-01JAN94

GRAIN TANK PADDLE



Z115050

4H17

ELEVATORS, GRAIN TANK & UNLOADING AUGER

GRAIN TANK PADDLE - CONTINUED

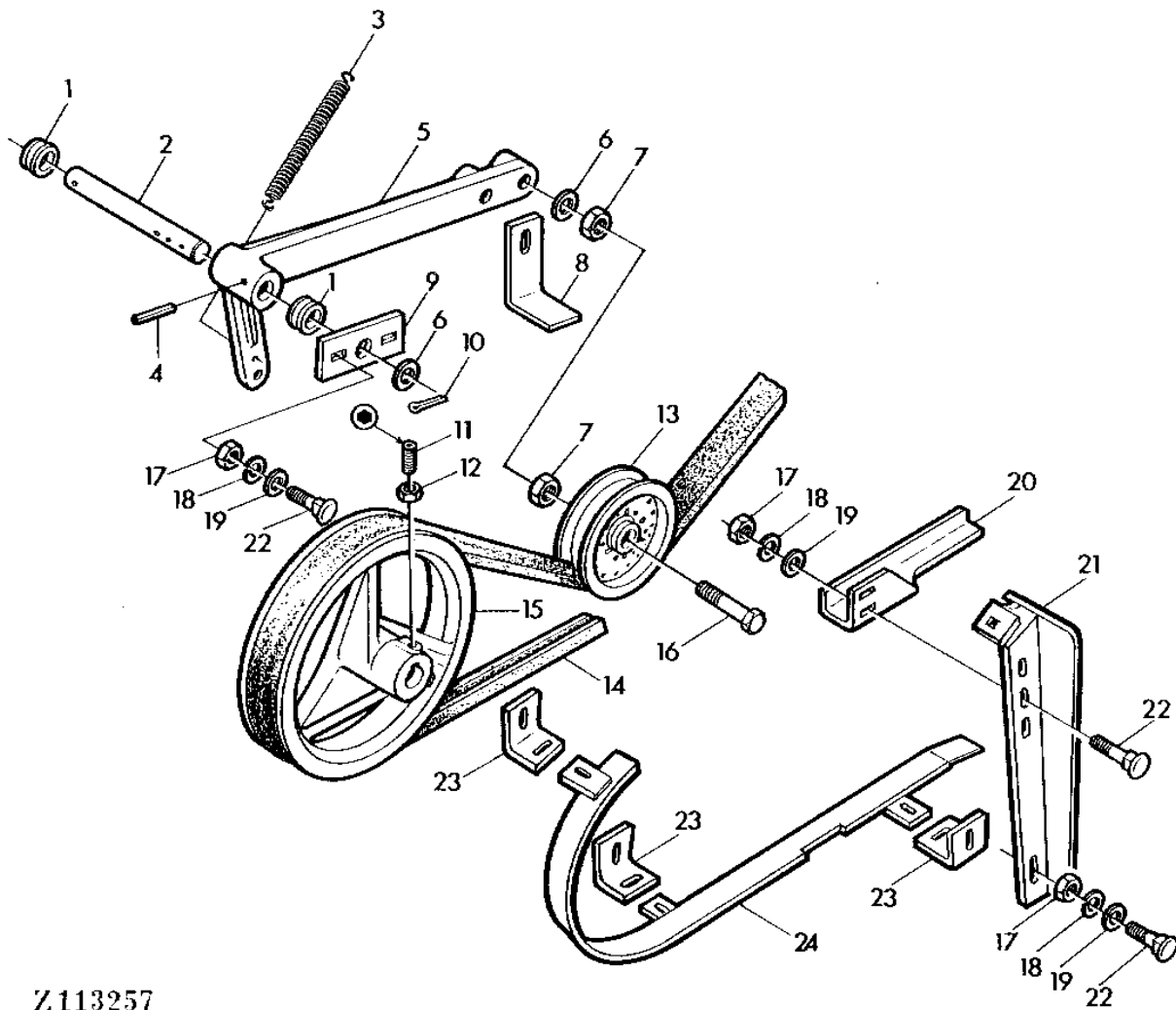
KEY	PART NO.	PART NAME	QTY	SERIAL NO.	4 4 4 3 4 5 3 H 5 Y	REMARKS
1	AZ10045	ECCENTRIC LOCKING COLLAR	2		X X	
2	AZ19844	SET SCREW	2		X X	KIT
3	Z38395	PRESSED FLANGED HOUSING	2		X X	
4	JD39103	BALL BEARING	2		X X	
5	12M7013	LOCK WASHER	AR		X X	10.200 MM
6	14M7140	NUT	AR		X X	M10
7	24M7040	WASHER	AR		X X	11 X 20 X 2 MM
8	Z47935	STRAP	1		X X	
9	19M7168	CAP SCREW	AR		X X	M10 X 30
10	19M7167	CAP SCREW	AR		X X	M10 X 25
11	AZ36030	ROLL	1		X X	
12	Z35894	BAIL	1		X X	
13	Z35893	BAIL	1		X X	
14	03M7079	BOLT	AR		X X	M10 X 55

4H18

ELEVATORS, GRAIN TANK & UNLOADING AUGER

Z113257 -UN-01JAN94

GRAIN TANK UNLOADING DRIVE



Z113257

4H19

ELEVATORS, GRAIN TANK & UNLOADING AUGER

GRAIN TANK UNLOADING DRIVE - CONTINUED

KEY	PART NO.	PART NAME	QTY	SERIAL NO.	4 4 4 3 4 5 3 H 5 Y	REMARKS
1	Z47840	BUSHING	2		X X	
2	Z51843	PIN	1		X X	
3	Z45233	LEAF SPRING	1		X X	
4	34M7035	SPRING PIN	1		X X	5 X 40 MM
5	Z11861	LEVER	1		X X	
6	24M7049	WASHER	AR		X X	17.500 X 30 X 3 MM
7	14M7260	NUT	2		X X	M16
8	Z53028	GUIDE	1		X X	
9	Z51204	STRAP	1		X X	
10	11M7021	COTTER PIN	2		X X	4 X 25 MM
11	22M7010	SET SCREW	2		X X	M10 X 30
12	14M7140	NUT	AR		X X	M10
13	AZ40090	IDLER	1		X X	
14	Z51212	BELT	1		X X	2360MM(92.91") LONG
15	Z11862	SHEAVE	1		X X	
16	19M7399	CAP SCREW	1		X X	M16 X 85
17	14M7029	NUT	AR		X X	M8
18	12M7008	LOCK WASHER	AR		X X	8.100 MM
19	24M7179	WASHER	AR		X X	8.400 X 24 X 2 MM
20	Z53026	GUIDE	1		X X	
21	Z51213	HOLDER	1		X X	
22	03M7135	BOLT	AR		X X	M8 X 25
23	Z51207	ANGLE	3		X X	
24	AZ40089	GUIDE	1		X X	

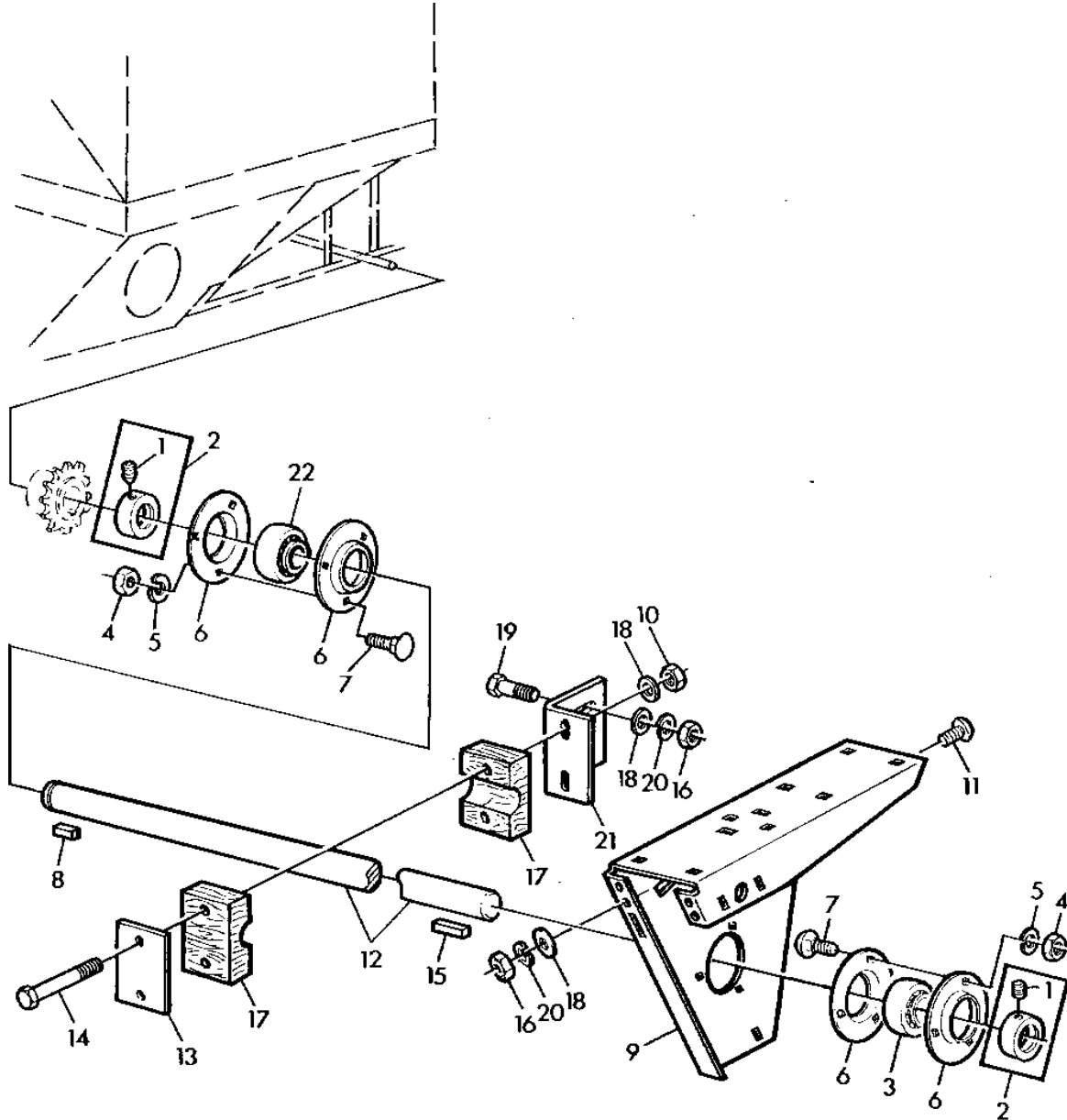
4H20

ELEVATORS, GRAIN TANK & UNLOADING AUGER

Z113258

-UN-01JAN94

GRAIN TANK UNLOADING DRIVE SHAFT AND BEARINGS



Z113258

4H21

ELEVATORS, GRAIN TANK & UNLOADING AUGER

GRAIN TANK UNLOADING DRIVE SHAFT AND BEARINGS - CONTINUED

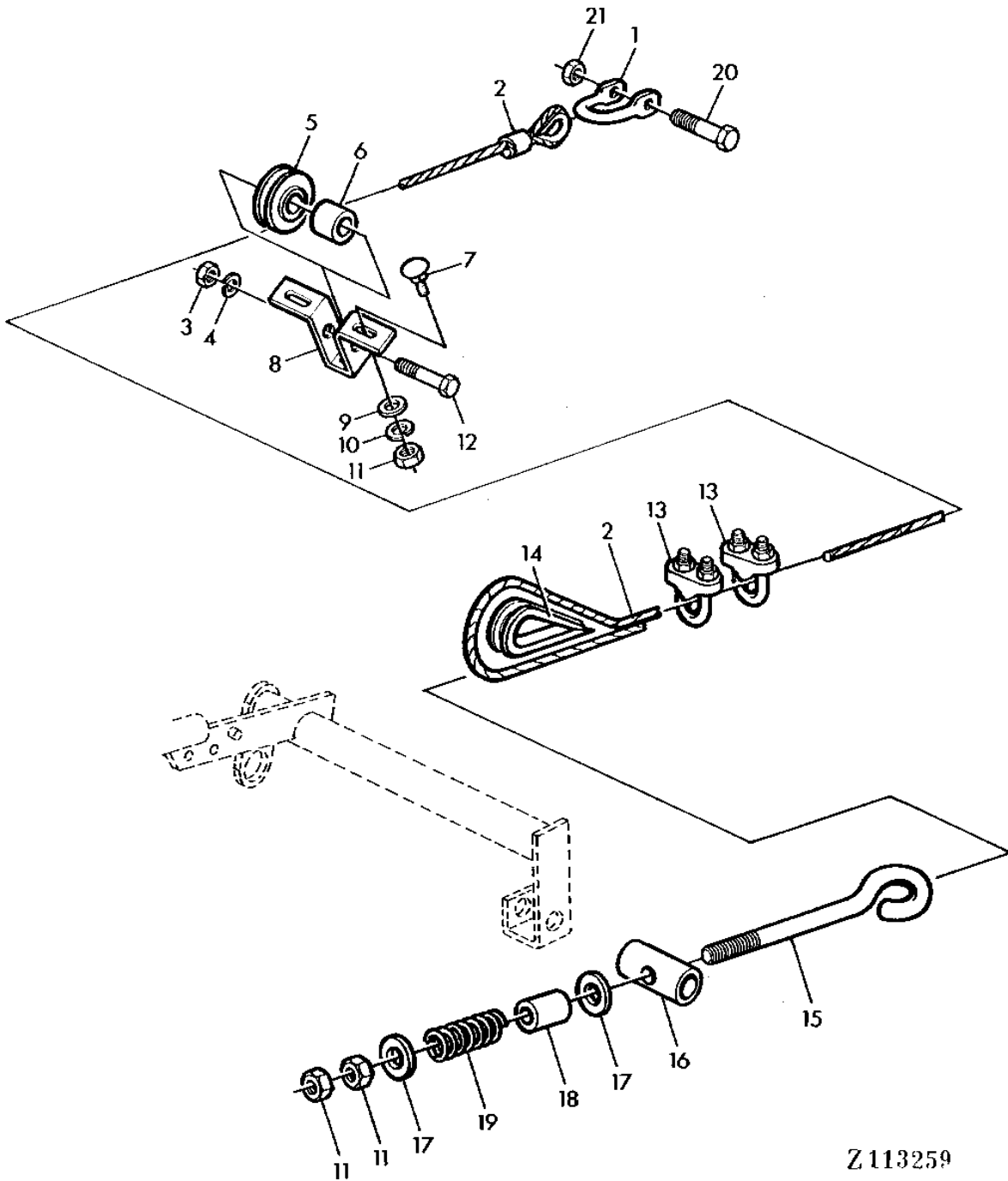
KEY	PART NO.	PART NAME	QTY	SERIAL NO.	4 4 4 3 4 5 3 H 5 Y	REMARKS
1	22H975	SET SCREW	2		X X	5/16" X 5/16"
2	AZ10045	ECCENTRIC LOCKING COLLAR	2		X X	
3	JD39103	BALL BEARING	2		X X	
4	14M7140	NUT	AR		X X	M10
5	12M7013	LOCK WASHER	AR		X X	10.200 MM
6	Z38395	PRESSED FLANGED HOUSING	4		X X	
7	03M7084	BOLT	6		X X	M10 X 25
8	49M4109	SHAFT KEY	1		X X	8 X 7 X 35 MM
9	Z51214	SUPPORT	1		X X	
10	14M7166	LOCK NUT	AR		X X	M8
11	21M7160	SCREW	AR		X X	M8 X 18
12	Z51211	PIN	1		X X	
13	Z35956	STRAP	1		X X	
14	19M7270	CAP SCREW	2		X X	M8 X 65
15	49M4113	SHAFT KEY	1		X X	8 X 7 X 80 MM
16	14M7029	NUT	AR		X X	M8
17	Z33527	BEARING	2		X X	
18	24M7036	WASHER	AR		X X	9 X 16 X 1.600 MM
19	19M7284	CAP SCREW	AR		X X	M8 X 18
20	12M7008	LOCK WASHER	AR		X X	8.100 MM
21	Z35957	HOLDER	1		X X	
22	JD10384	BEARING	1		X X	

4H22

ELEVATORS, GRAIN TANK & UNLOADING AUGER

Z113259 -UN-01JAN94

UNLOADING AUGER DRIVE LINKAGE



Z113259

4H23

ELEVATORS, GRAIN TANK & UNLOADING AUGER

UNLOADING AUGER DRIVE LINKAGE - CONTINUED

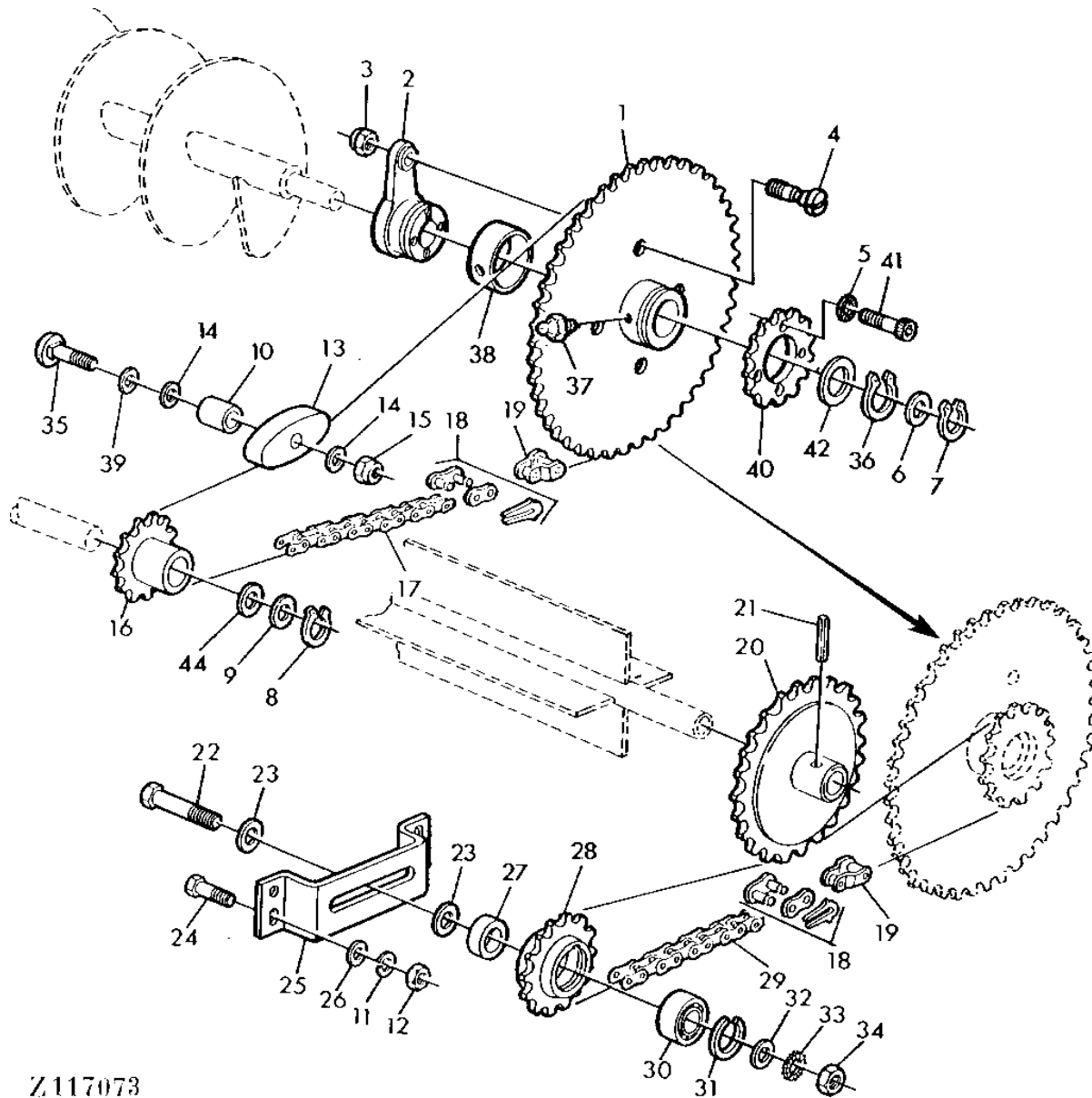
KEY	PART NO.	PART NAME	QTY	SERIAL NO.	REMARKS
					4
					4
					4 3
					4 5
					3 H
					5 Y
1	Z28162	CLEVIS	1		X X
2	AZ30261	PUSH PULL CABLE	1		X X 1349MM(53.11")LONG
3	14M7140	NUT	AR		X X M10
4	12M7013	LOCK WASHER	AR		X X 10.200 MM
5	Z32900	ROLLER	1		X X
6	Z34438	SPACER	1		X X
7	03M7135	BOLT	AR		X X M8 X 25
8	Z33379	HOLDER	1		X X
9	24M7036	WASHER	AR		X X 9 X 16 X 1.600 MM
10	12M7008	LOCK WASHER	AR		X X 8.100 MM
11	14M7029	NUT	AR		X X M8
12	19M7169	CAP SCREW	AR		X X M10 X 35
13	AZ12826	CLAMP	2		X X
14	Z23366	THIMBLE	1		X X
15	Z47562	STUD	1		X X
16	Z33397	PIN	1		X X
17	24M7179	WASHER	AR		X X 8.400 X 24 X 2 MM
18	Z47561	TUBE	1		X X
19	Z40936	COMPRESSION SPRING	1		X X
20	19M7286	CAP SCREW	1		X X M6 X 25
21	14M7165	LOCK NUT	1		X X M6

4H24

ELEVATORS, GRAIN TANK & UNLOADING AUGER

Z117073 -UN-01JAN94

INNER UNLOADING AUGER AND PADDLE DRIVES



4H25

ELEVATORS, GRAIN TANK & UNLOADING AUGER

INNER UNLOADING AUGER AND PADDLE DRIVES - CONTINUED

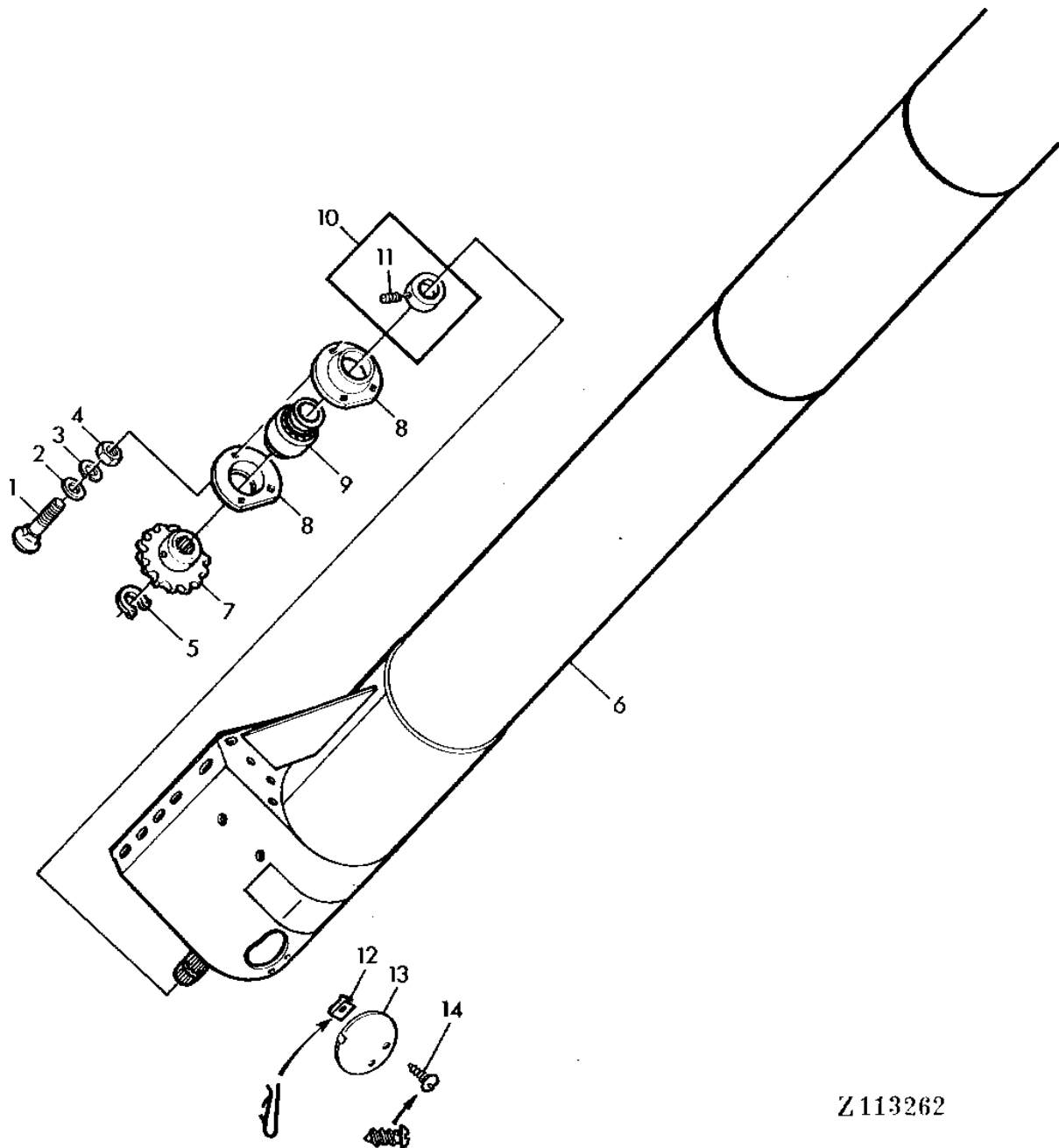
KEY	PART NO.	PART NAME	QTY	SERIAL NO.	4 4 4 3 4 5 3 H 5 Y	REMARKS
1	AZ35403	DRIVE SPROCKET	1		X X	
2	Z11577	DRIVER	1		X X	
3	14M7166	LOCK NUT	1		X X	M8
4	Z51254	SCREW	1		X X	
5	12M7072	LOCK WASHER	4		X X	8.400 MM 50 X 2 MM
6	24M7286	WASHER	AR		X X	36 X 45 X 1 MM
7	40M1833	SNAP RING	1		X X	35 X 1,5MM
8	40M1831	SNAP RING	1		X X	30 X 1,5MM
9	24M7302	SHIM	AR		X X	0.500 MM
10	Z44212	BUSHING	1		X X	
11	12M7008	LOCK WASHER	AR		X X	8.100 MM
12	14M7029	NUT	AR		X X	M8
13	Z44031	TIGHTENER	1		X X	
14	24M7178	WASHER	AR		X X	10.500 X 30 X 2.500 MM
15	14M7167	LOCK NUT	AR		X X	M10
16	Z11079	CHAIN SPROCKET	1		X X	
17	AZ32301	ROLLER CHAIN	1		X X	126 LINKS, INCL. KEYS 18,19
18	AL14209	LINK	1		X X	
19	AZ12882	LINK	1		X X	
20	AZ32300	CHAIN SPROCKET	1		X X	
21	34M7048	SPRING PIN	AR		X X	8 X 45 MM
22	19M7480	CAP SCREW	1		X X	M16 X 55
23	L18889	WASHER	2		X X	
24	19M7139	CAP SCREW	AR		X X	M8 X 20
25	Z42263	RETAINER	1		X X	
26	24M7036	WASHER	AR		X X	9 X 16 X 1.600 MM
27	Z33404	SPACER	1		X X	
28	Z10398	CHAIN SPROCKET	1		X X	
29	AZ32304	ROLLER CHAIN	1		X X	74 LINKS, INCL. KEYS 18,19
30	JD30324	BALL BEARING	1		X X	
31	L49514	SNAP RING	1		X X	
32	24M7041	WASHER	1		X X	16 X 28 X 3 MM
33	12M7052	LOCK WASHER	1		X X	17 MM
34	14M7142	NUT	1		X X	M16
35	03M7104	BOLT	1		X X	M10 X 70
36	40M1839	SNAP RING	1		X X	50 X 2MM
37	58M7004	LUBRICATION FITTING	1		X X	M6 X 1
38	Z44855	BUSHING	1		X X	
39	24M7042	WASHER	AR		X X	11 X 34 X 3 MM
40	Z44857	DRIVE SPROCKET	1		X X	
41	19M6616	SCREW	4		X X	M8 X 20
42	24M5640	WASHER	AR		X X	50 X 62 X 1.400 MM

411

ELEVATORS, GRAIN TANK & UNLOADING AUGER

Z113262 -UN-01JAN94

OUTER UNLOADING AUGER HOUSING



Z113262

412

ELEVATORS, GRAIN TANK & UNLOADING AUGER

OUTER UNLOADING AUGER AND HOUSING - CONTINUED

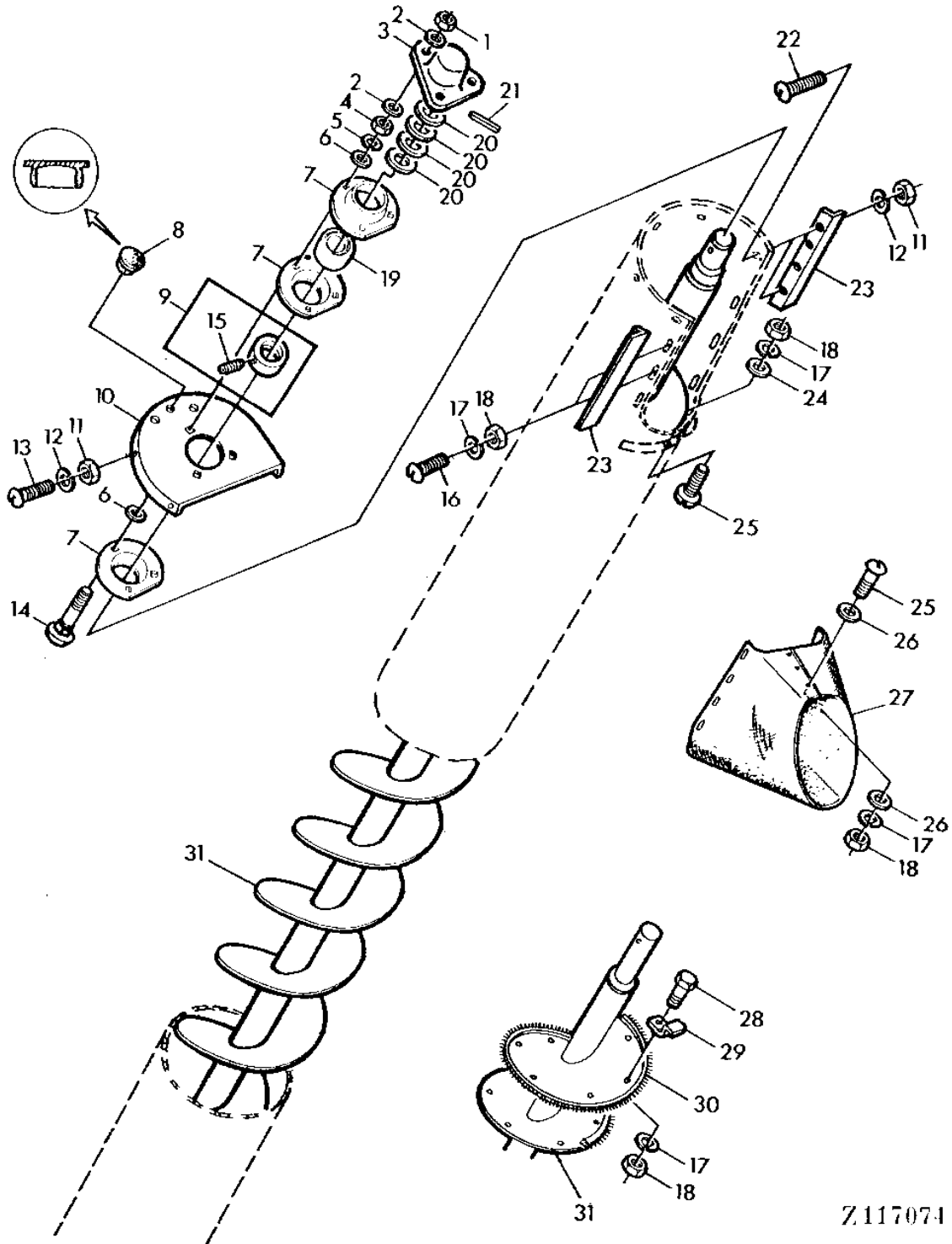
KEY	PART NO.	PART NAME	QTY	SERIAL NO.	4 4 4 3 4 5 3 H 5 Y	REMARKS
1	03M7017	BOLT	AR		X X	M10 X 25
2	24M7040	WASHER	AR		X X	11 X 20 X 2 MM
3	12M7013	LOCK WASHER	AR		X X	10.200 MM
4	14M7140	NUT	AR		X X	M10
5	40M1831	SNAP RING	1		X X	30 X 1,5MM
6	AZ36036	SPOUT	1		X	(SUB AZ42489)
	AZ42489	SPOUT	1		X X	
7	Z11684	CHAIN SPROCKET	1		X X	13 TEETH
8	Z38395	PRESSED FLANGED HOUSING	2		X X	
9	JD10384	BEARING	1		X X	
10	AZ10045	ECCENTRIC LOCKING COLLAR	1		X X	
11	AZ19844	SET SCREW	1		X X	
12	Z20443	NUT	2		X X	
13	Z22294	COVER	1		X X	
14	37M7049	SCREW	AR		X X	5,5 X 13MM

413

ELEVATORS, GRAIN TANK & UNLOADING AUGER

Z117074 -UN-01JAN94

OUTER UNLOADING AUGER



Z117074

414

ELEVATORS, GRAIN TANK & UNLOADING AUGER

OUTER UNLOADING AUGER - CONTINUED

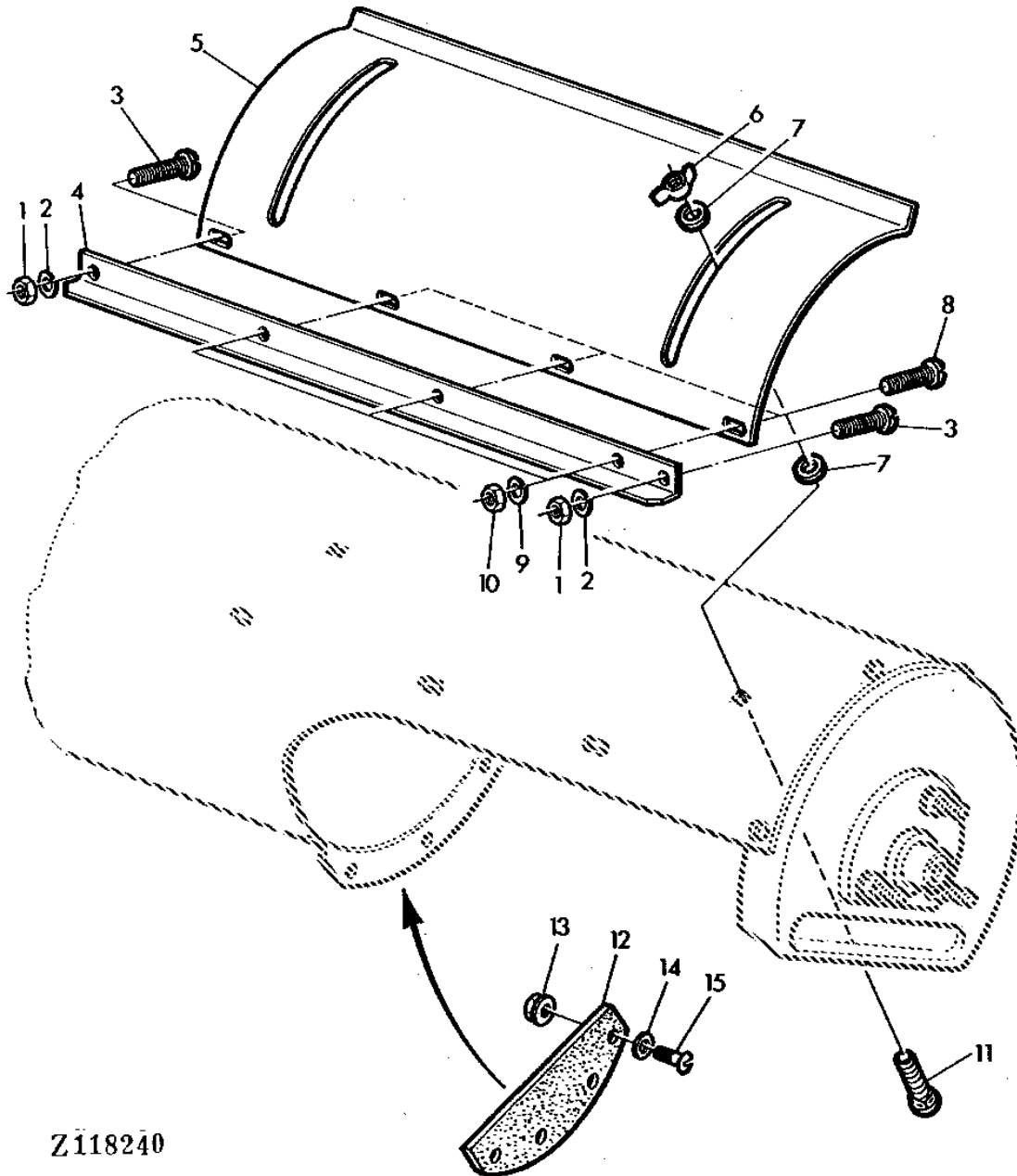
KEY	PART NO.	PART NAME	QTY	SERIAL NO.	4 4 4 3 4 5 3 H 5 Y	REMARKS
1	14M7152	NUT	AR		X X	M10
2	24M7028	WASHER	AR		X X	10.500 X 20 X 2 MM
3	Z38380	GUARD	1		X X	
4	14M7140	NUT	AR		X X	M10
5	12M7013	LOCK WASHER	AR		X X	10.200 MM
6	24M7040	WASHER	AR		X X	11 X 20 X 2 MM
7	Z38395	PRESSED FLANGED HOUSING	3		X X	
8	Z31546	PLUG	3		X X	
9	AZ10045	ECCENTRIC LOCKING COLLAR	1		X X	
10	Z38547	COVER	1		X X	
11	14M7029	NUT	AR		X X	M8
12	12M7008	LOCK WASHER	AR		X X	8.100 MM
13	21M7160	SCREW	AR		X X	M8 X 18
14	03M7152	BOLT	AR		X X	M10 X 40
15	AZ19844	SET SCREW	1		X X	KIT
16	21M7085	SCREW	AR		X X	M6 X 20
17	12M7012	LOCK WASHER	AR		X X	6.100 MM
18	14M7027	NUT	AR		X X	M6
19	JD39103	BALL BEARING	1		X X	
20	24M3533	WASHER	AR		X X	30 X 42 X 2 MM
21	34M7070	SPRING PIN	AR		X X	10 X 45 MM
22	21M7125	SCREW	AR		X X	M8 X 25
23	Z38539	REINFORCEMENT	2		X X	
24	Z26250	WASHER	AR		X X	
25	21M7159	SCREW	AR		X X	M6 X 25
26	24M7100	WASHER	AR		X X	6.600 X 22 X 2 MM
27	Z45461	SPOUT	1		X X	
28	19M6614	CAP SCREW	AR		X X	M6 X 12
29	Z38597	CLAMP	12		X X	
30	AZ27913	BRUSH	1		X X	
31	AZ36026	AUGER	1		X X	

415

ELEVATORS, GRAIN TANK & UNLOADING AUGER

Z118240 -UN-01JAN94

ADJUSTING DEVICE FOR UNLOADING AUGER DISCHARGE



Z118240

416

ELEVATORS, GRAIN TANK & UNLOADING AUGER

ADJUSTING DEVICE FOR UNLOADING AUGER

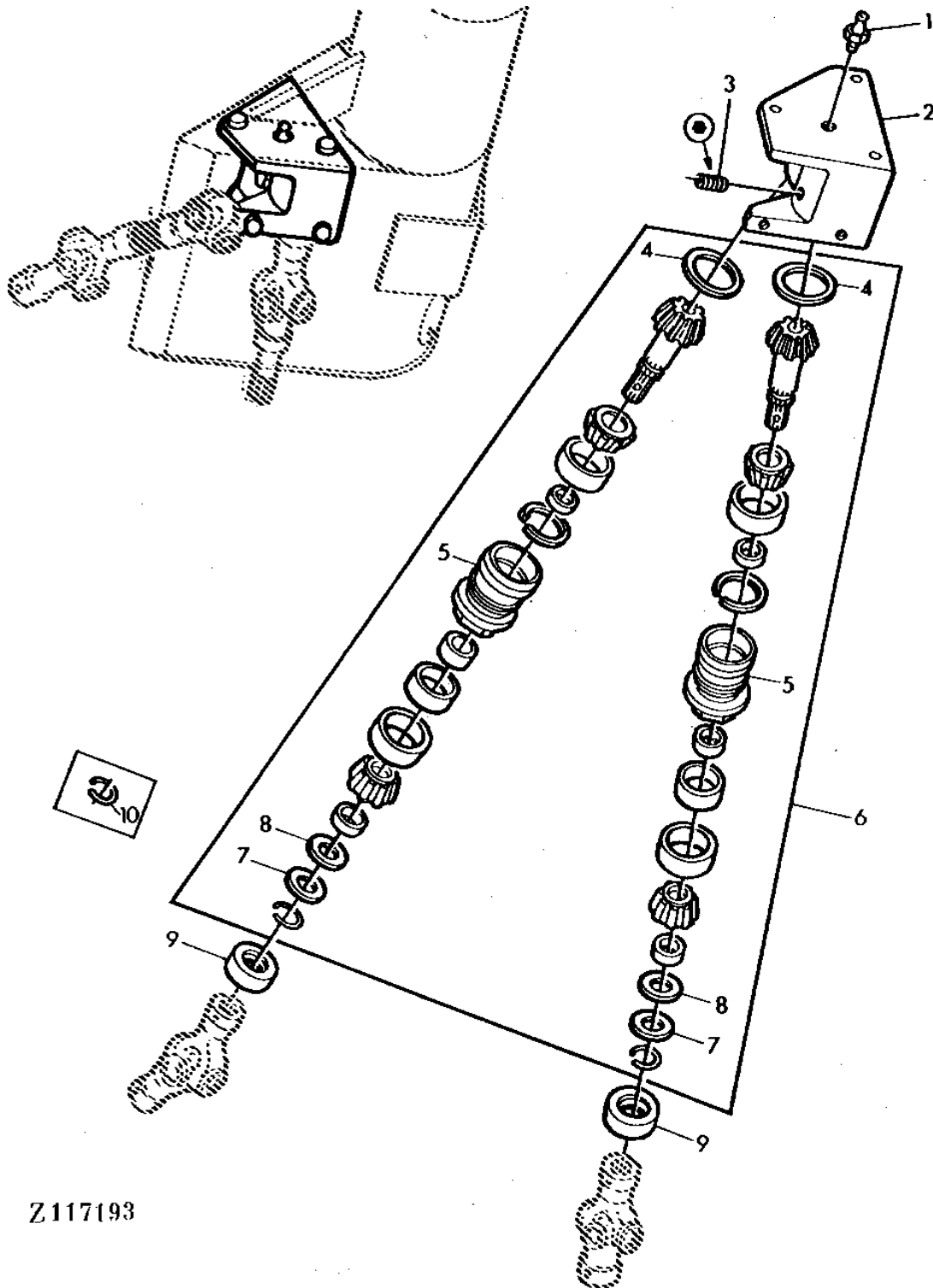
KEY	PART NO.	PART NAME	QTY	SERIAL NO.	4 4 4 3 4 5 3 H 5 Y	REMARKS
1	14M7029	NUT	AR		X X	M8
2	12M7008	LOCK WASHER	AR		X X	8.100 MM
3	21M7125	SCREW	AR		X X	M8 X 25
4	Z38539	REINFORCEMENT	2		X X	
5	Z51603	SHIELD	1		X X	
6	Z20285	WING NUT	2		X X	
7	24M7039	WASHER	AR		X X	9 X 28 X 3 MM
8	21M7085	SCREW	AR		X X	M6 X 20
9	12M7012	LOCK WASHER	AR		X X	6.100 MM
10	14M7027	NUT	AR		X X	M6
11	03M7135	BOLT	2		X X	M8 X 25
12	Z51601	GASKET	1		X X	
13	14M7165	LOCK NUT	AR		X X	M6
14	24M7088	WASHER	AR		X X	6.600 X 12 X 1.600 MM
15	21M7031	SCREW	AR		X X	M6 X 15

417

ELEVATORS, GRAIN TANK & UNLOADING AUGER

Z117193 -UN-01JAN94

OUTER UNLOADING AUGER DRIVE GEAR CASE



Z117193

418

ELEVATORS, GRAIN TANK & UNLOADING AUGER

OUTER UNLOADING AUGER DRIVE GEAR CASE - CONTINUED

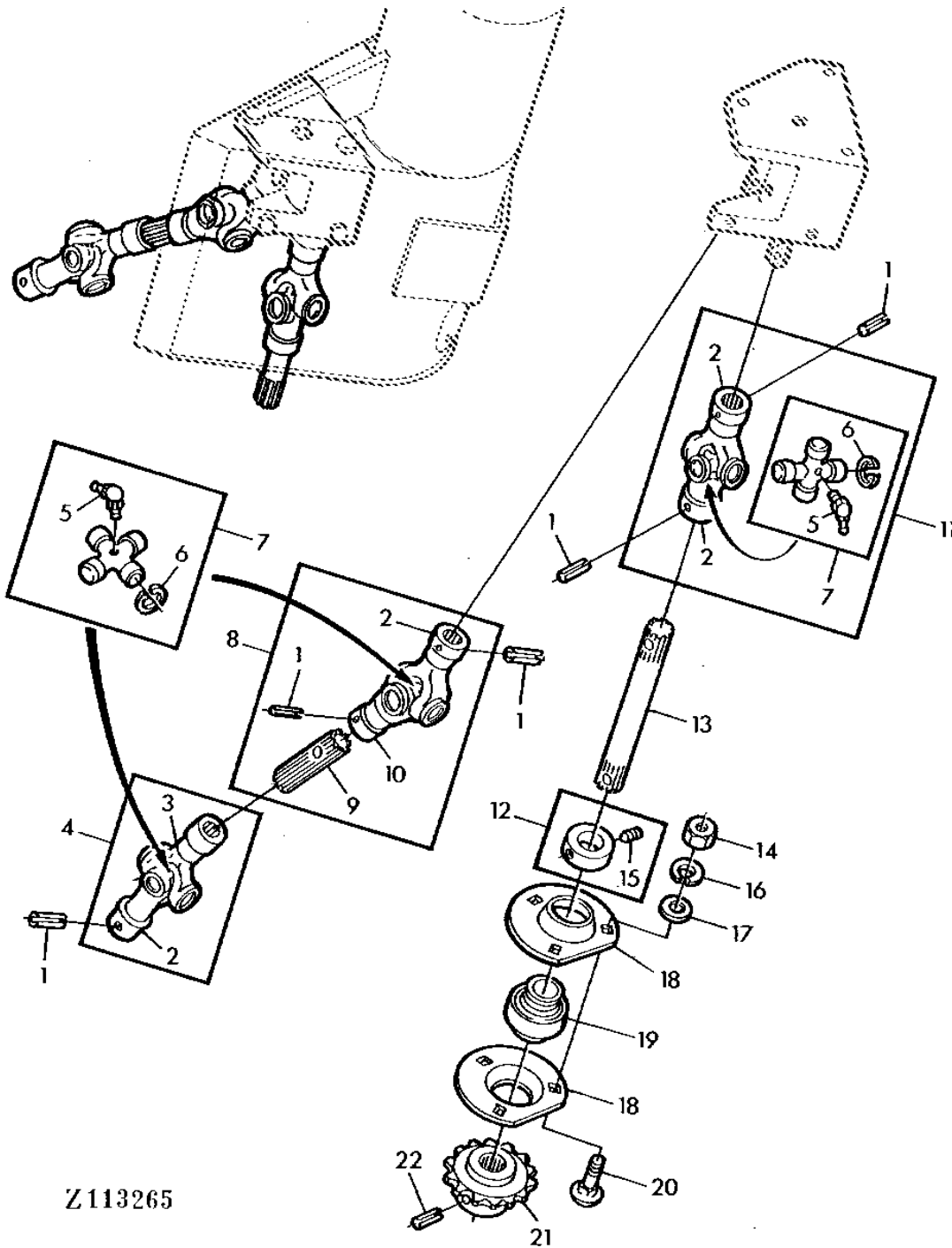
KEY	PART NO.	PART NAME	QTY	SERIAL NO.	4 4 4 3 4 5 3 H 5 Y	REMARKS
1	58M7006	LUBRICATION FITTING	1		X X	M8
2	Z11625	TRANSMISSION	1		X X	(SUB Z12433)
	Z12433	HOUSING	1		X X	
3	22M7148	SET SCREW	4		X X	M8 X 16
4	H96362	SHIM	2		X X	AR, (FOR Z11625)
5	Z11624	QUILL	2		X X	
6	AZ42247	KIT	1		X X	
7	24M7302	SHIM	AR		X X	0.500 MM
8	24M7325	SHIM	AR		X X	0.200 MM
9	AH98118	SEAL	2		X X	
10	Z45540	RING	2	-XXXXXX	X X	

419

ELEVATORS, GRAIN TANK & UNLOADING AUGER

Z113265 -UN-01JAN94

OUTER UNLOADING AUGER DRIVE



Z113265

4110

ELEVATORS, GRAIN TANK & UNLOADING AUGER

OUTER UNLOADING AUGER DRIVE - CONTINUED

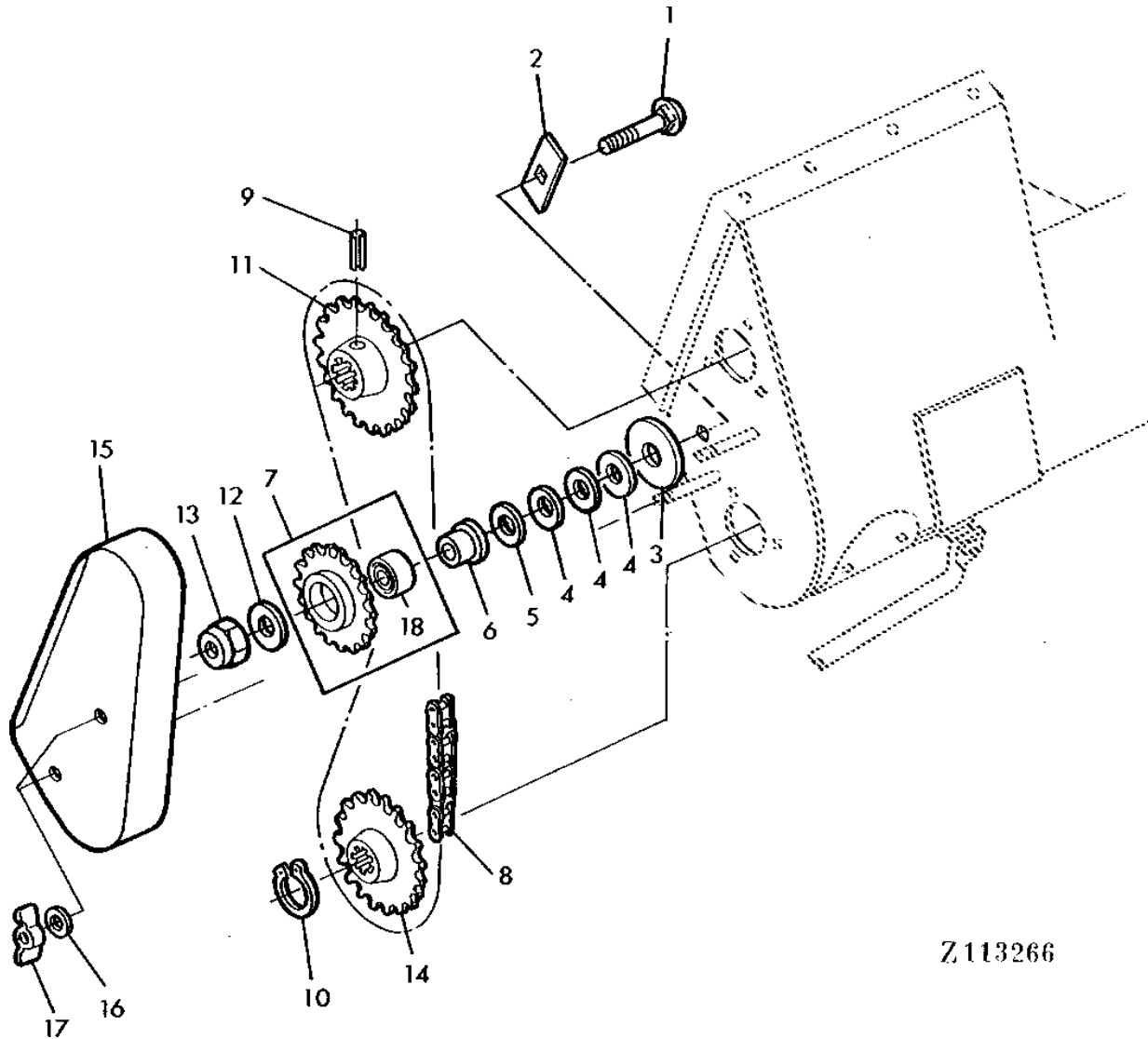
KEY	PART NO.	PART NAME	QTY	SERIAL NO.	4 4 4 3 4 5 3 H 5 Y	REMARKS
1	34M7050	SPRING PIN	AR		X X	8 X 55 MM
2	Z11821	UNIVERSAL JOINT YOKE	4		X X	
3	Z47396	UNIVERSAL JOINT YOKE	1		X X	
4	AZ37288	UNIVERSAL JOINT	1		X X	(INCL. KEY 7)
5	58M5578	LUBRICATION FITTING	3		X X	M10
6	Z43195	SNAP RING	12		X X	
7	AZ32226	SPIDER	3		X X	
8	AZ37813	UNIVERSAL JOINT	1		X X	(INCL. KEY 7)
9	Z46684	SHAFT	1		X X	
10	Z46682	UNIVERSAL JOINT YOKE	1		X X	
11	AZ36837	UNIVERSAL JOINT	1		X X	
12	AZ10045	ECCENTRIC LOCKING COLLAR	1		X X	
13	Z45534	SHAFT	1		X X	
14	14M7140	NUT	AR		X X	M10
15	22M7080	SET SCREW	AR		X X	M8 X 8
16	12M7013	LOCK WASHER	AR		X X	10.200 MM
17	24M7040	WASHER	AR		X X	11 X 20 X 2 MM
18	Z38395	PRESSED FLANGED HOUSING	2		X X	
19	JD10384	BEARING	1		X X	
20	03M7017	BOLT	AR		X X	M10 X 25
21	Z11683	CHAIN SPROCKET	1		X X	18 TEETH
22	34M7048	SPRING PIN	1		X X	8 X 45 MM

4111

ELEVATORS, GRAIN TANK & UNLOADING AUGER

Z113266 -UN-01JAN94

OUTER UNLOADING AUGER DRIVE



Z113266

4112

ELEVATORS, GRAIN TANK & UNLOADING AUGER

OUTER UNLOADING AUGER DRIVE - CONTINUED

KEY	PART NO.	PART NAME	QTY	SERIAL NO.	4 4 4 3 4 5 3 H 5 Y	REMARKS
1	03M2365	BOLT	1		X X	M12 X 60
2	Z47503	STRAP	1		X X	
3	24M7103	WASHER	1		X X	17.500 X 56 X 5 MM
4	24M7102	WASHER	3		X X	13.500 X 44 X 4 MM
5	24M7085	WASHER	1		X X	15 X 28 X 2.500 MM
6	Z20579	BUSHING	1		X X	
7	AZ36836	CHAIN SPROCKET	1		X X	13 TEETH
8	AZ36031	ROLLER CHAIN	1		X X	38 LINKS
9	34M7048	SPRING PIN	1		X X	8 X 45 MM
10	40M1831	SNAP RING	1		X X	30 X 1,5MM
11	Z11683	CHAIN SPROCKET	1		X	18 TEETH, (SUB Z12329)
	Z12329	CHAIN SPROCKET	1		X X	17 TEETH
12	24M7038	WASHER	1		X X	13.500 X 24 X 2.500 MM
13	14M7168	LOCK NUT	1		X X	M12
14	Z11684	CHAIN SPROCKET	1		X X	13 TEETH
15	Z45548	GUARD	1		X X	
16	24M7024	WASHER	AR		X X	9 X 28 X 3 MM
17	Z20285	WING NUT	2		X X	
18	JD29980	BALL BEARING	1		X X	

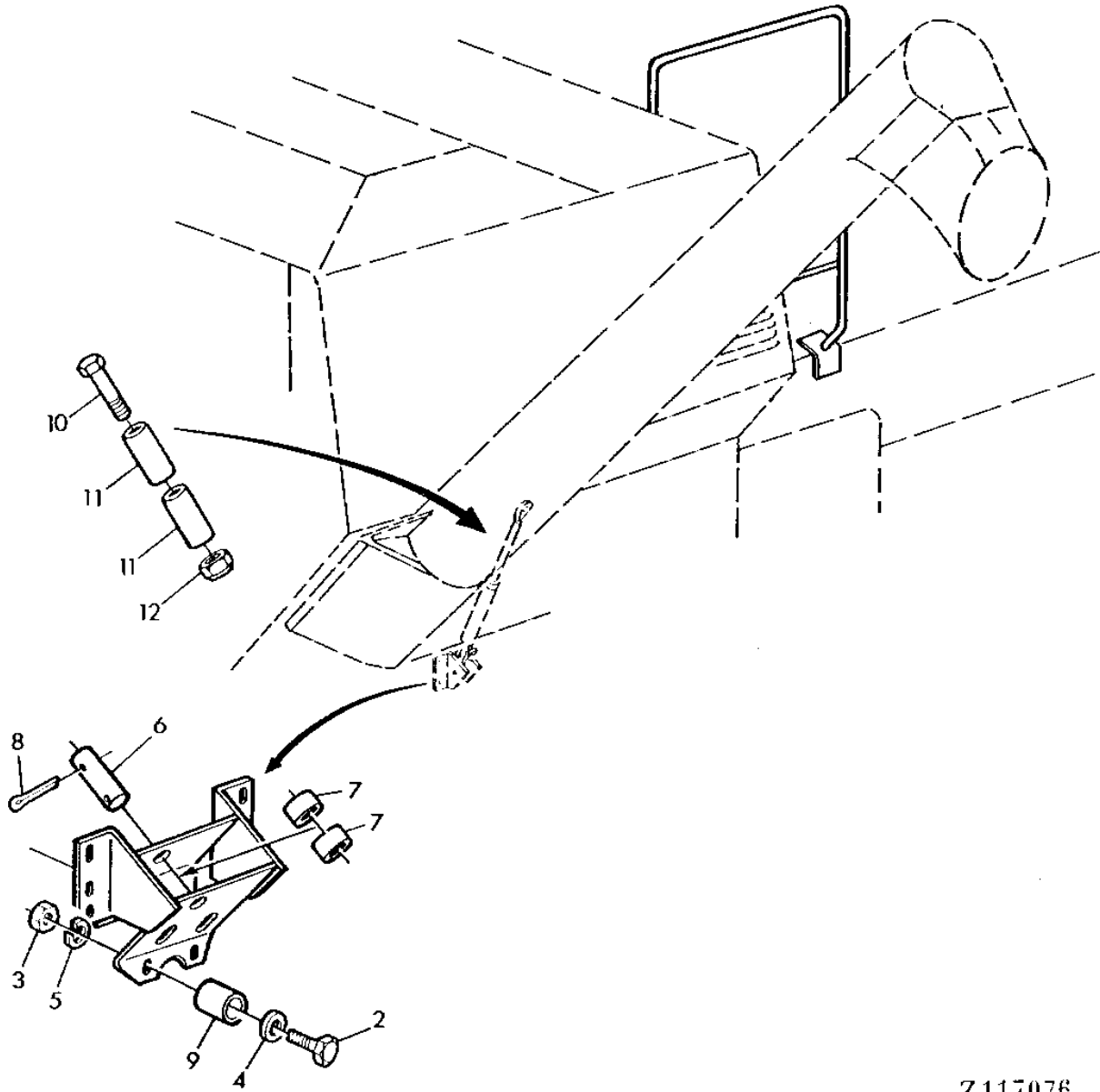
4113

ELEVATORS, GRAIN TANK & UNLOADING AUGER

Z117076

-UN-01JAN94

UNLOADING AUGER SWING HYDRAULIC CYLINDER MOUNTING



Z117076

4114

ELEVATORS, GRAIN TANK & UNLOADING AUGER

UNLOADING AUGER SWING HYDRAULIC CYLINDER MOUNTING - CONTINUED

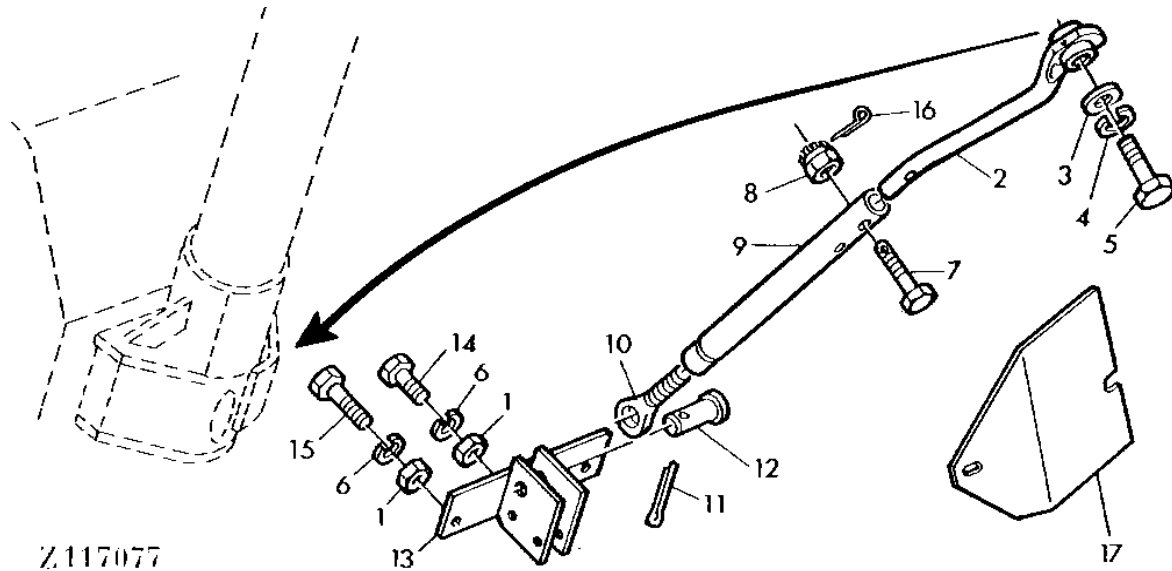
KEY	PART NO.	PART NAME	QTY	SERIAL NO.	4 4 4 3 4 5 3 H 5 Y	REMARKS
1	AZ37912	HOLDER	1		X X	
2	19M7724	CAP SCREW	AR		X X	M10 X 45
3	14M7140	NUT	AR		X X	M10
4	24M7040	WASHER	AR		X X	11 X 20 X 2 MM
5	12M7013	LOCK WASHER	AR		X X	10.200 MM
6	44M7029	PIN	1		X X	25 X 90 MM
7	Z33538	SPACER	4		X X	
8	11M7037	COTTER PIN	2		X X	6.300 X 36 MM
9	Z38274	SPACER	6		X X	
10	19M7504	CAP SCREW	1		X X	M16 X 85
11	Z52505	SPACER	2		X X	
12	14M7170	LOCK NUT	1		X X	M16

4115

ELEVATORS, GRAIN TANK & UNLOADING AUGER

UNLOADING AUGER LOWER SUPPORT

Z117077 -UN-01JAN94



Z117077

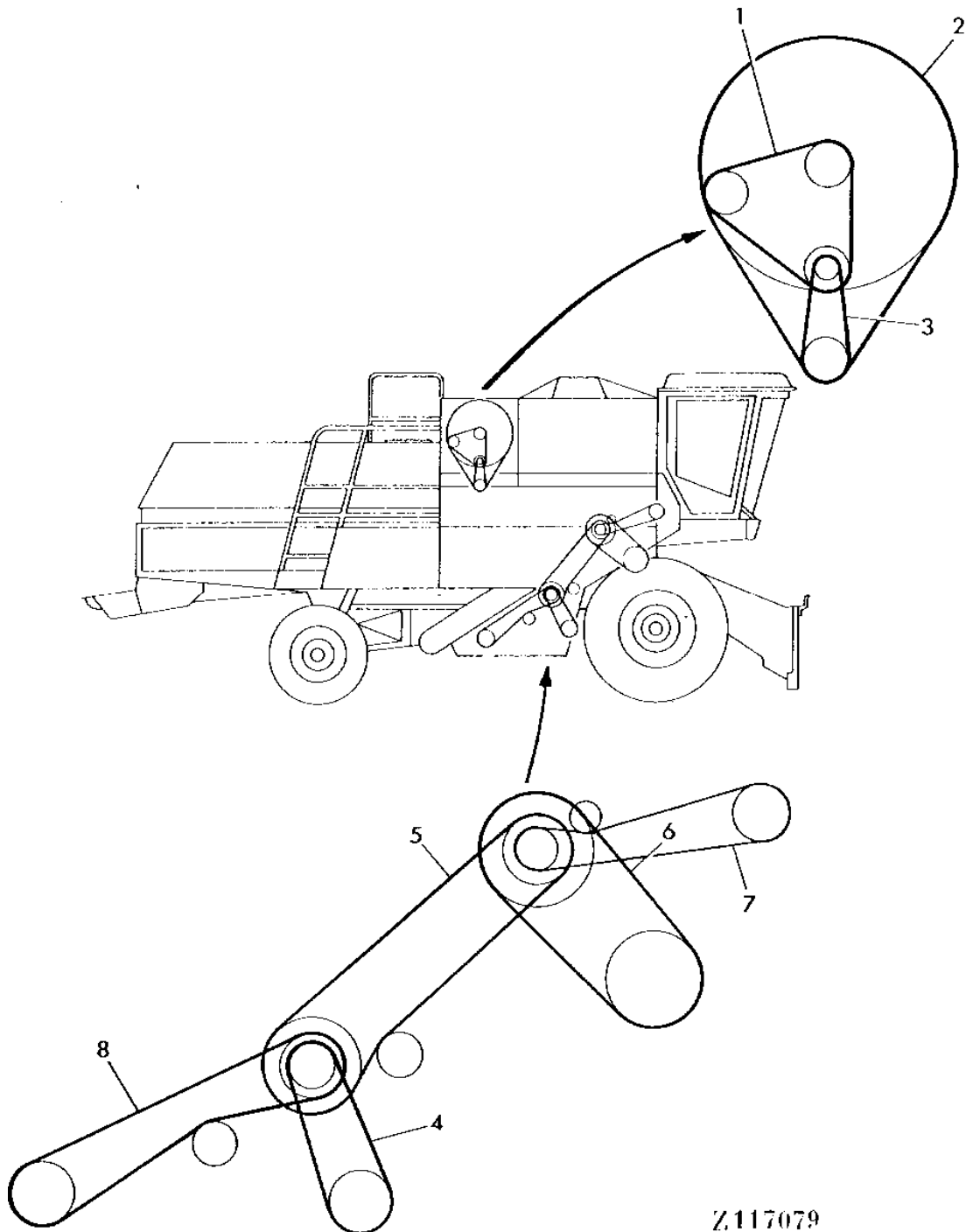
KEY	PART NO.	PART NAME	QTY	SERIAL NO.	REMARKS
				4	
				4	
				4 3	
				4 5	
				3 H	
				5 Y	
1	14M7140	NUT	AR		X X M10
2	AZ36835	SUPPORT	1		X X
3	24M7113	WASHER	1		X X 17 X 28 X 3 MM
4	12M7017	LOCK WASHER	1		X X 16.200 MM
5	19M7283	CAP SCREW	1		X X M16 X 35
6	12M7013	LOCK WASHER	AR		X X 10.200 MM
7	Z53014	BOLT	1		X X
8	14M7177	NUT	1		X X M12
9	AZ30890	TUBE	1		X X
10	21M7186	EYEBOLT	1		X X M24 X 100
11	11M7029	COTTER PIN	1		X X 5 X 36 MM
12	45M7025	PIN	1		X X 22 X 60 MM
13	AZ37908	BRACKET	1		X X
14	19M7169	CAP SCREW	AR		X X M10 X 35
15	19M7170	CAP SCREW	AR		X X M10 X 50
16	11M7014	COTTER PIN	1		X X 3.200 X 22 MM
17	Z53013	GUARD	1		X X

4118

DECALS, BELTS AND CHAINS

Z117079 -UN-01JAN94

DRIVE BELTS, RIGHT-HAND SIDE



Z117079

4119

DECALS, BELTS AND CHAINS

DRIVE BELTS, RIGHT-HAND SIDE - CONTINUED

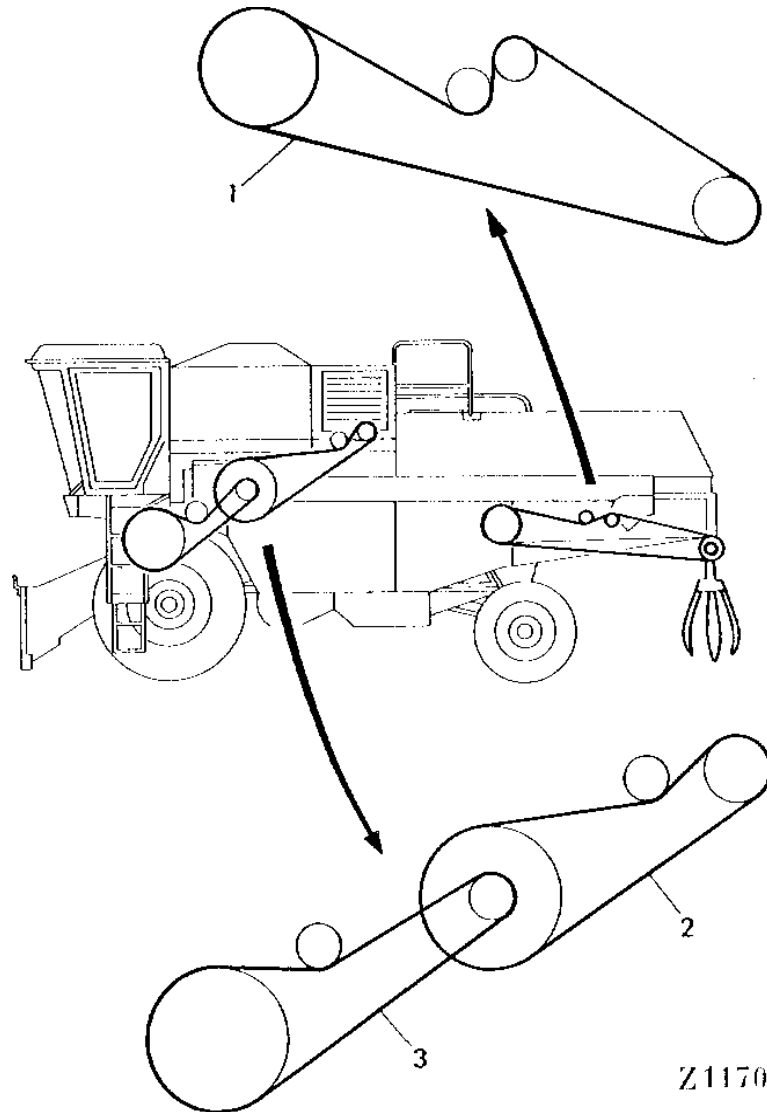
KEY	PART NO.	PART NAME	QTY	SERIAL NO.		REMARKS
					4	
					4	
					4 3	
					4 5	
					3 H	
					5 Y	
1	AR72036	BELT SET	1		X X	ALTERNATOR, WATER PUMP, PKG. OF (2)
2	Z46764	BELT	1		X	COUNTERSHAFT TO ROTARY SCREEN
	Z34786	BELT	1		X	COUNTERSHAFT TO ROTARY SCREEN
3	Z32190	BELT	1		X X	CRANKSHAFT TO COUNTERSHAFT
4	Z46365	BELT	1		X X	CLEANING FAN
5	Z46366	BELT	1		X X	SEPARATOR
6	Z44936	BELT	1		X X	CYLINDER
7	Z45026	BELT	1		X X	TAILINGS ELEVATOR
8	Z47912	BELT	1		X X	CLEAN GRAIN ELEVATOR

4120

DECALS, BELTS AND CHAINS

Z117080 -UN-01JAN94

DRIVE BELTS, LEFT-HAND SIDE



Z117080

4121

DECALS, BELTS AND CHAINS

DRIVE BELTS, LEFT-HAND SIDE - CONTINUED

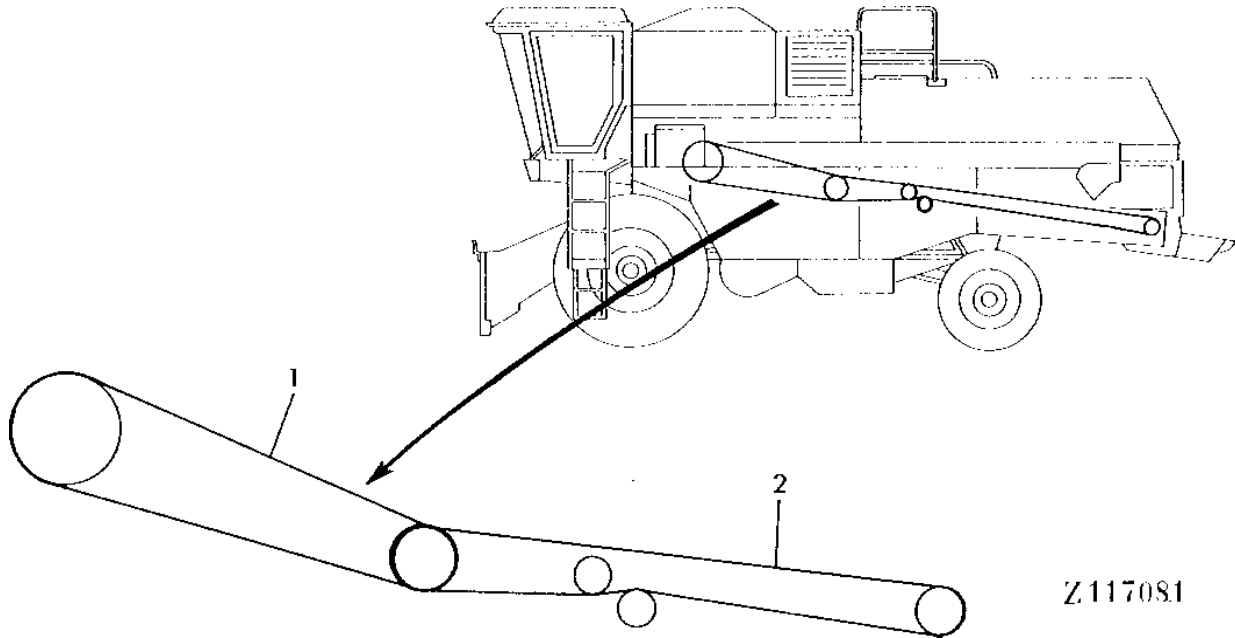
KEY	PART NO.	PART NAME	QTY	SERIAL NO.		REMARKS
					4	
					4	
					4 3	
					4 5	
					3 H	
					5 Y	
1	Z32041	BELT	1		X X	STRAW SPREADER
2	Z33790	BELT	1		X X	BEATER
3	Z38186	BELT	1		X X	FEEDER HOUSE

4122

DECALS, BELTS AND CHAINS

Z117081 -UN-01JAN94

DRIVE BELTS, LEFT-HAND SIDE



Z117081

4
4
4 3
4 5
3 H
5 Y

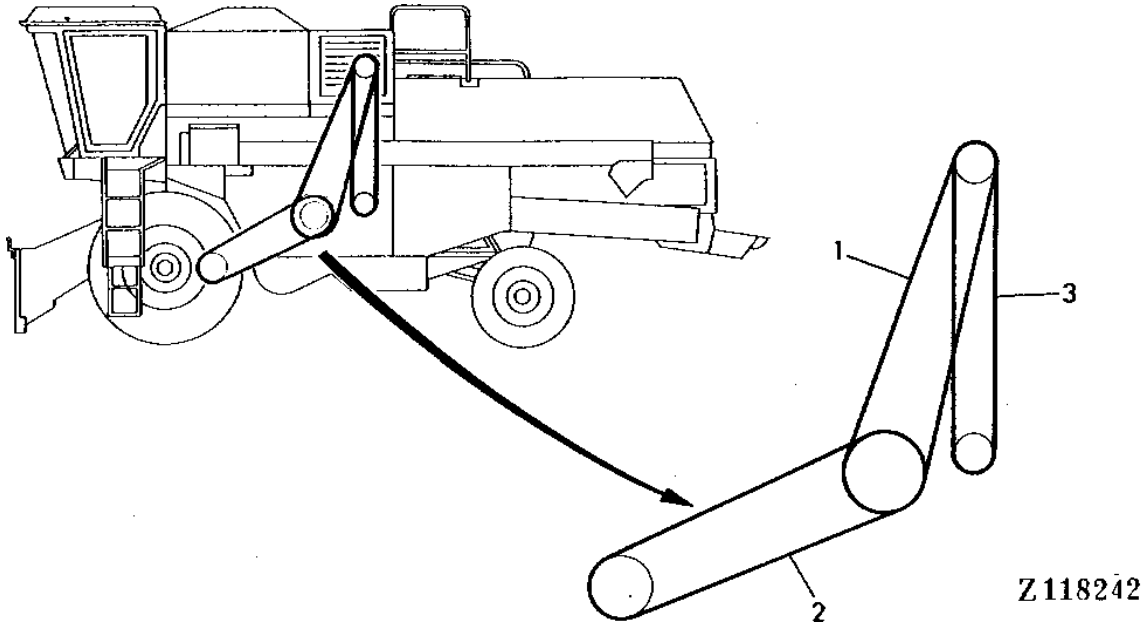
KEY	PART NO.	PART NAME	QTY	SERIAL NO.		REMARKS
1	Z44761	BELT	1		X X	FRONT STRAW CHOPPER
2	Z47763	BELT	1	-056349	X X	REAR STRAW CHOPPER
	Z55645	BELT	1	056350-	X X	REAR STRAW CHOPPER

4123

DECALS, BELTS AND CHAINS

Z118242 -UN-01JAN94

DRIVE BELTS, LEFT-HAND SIDE



Z118242

4
4
4 3
4 5
3 H
5 Y

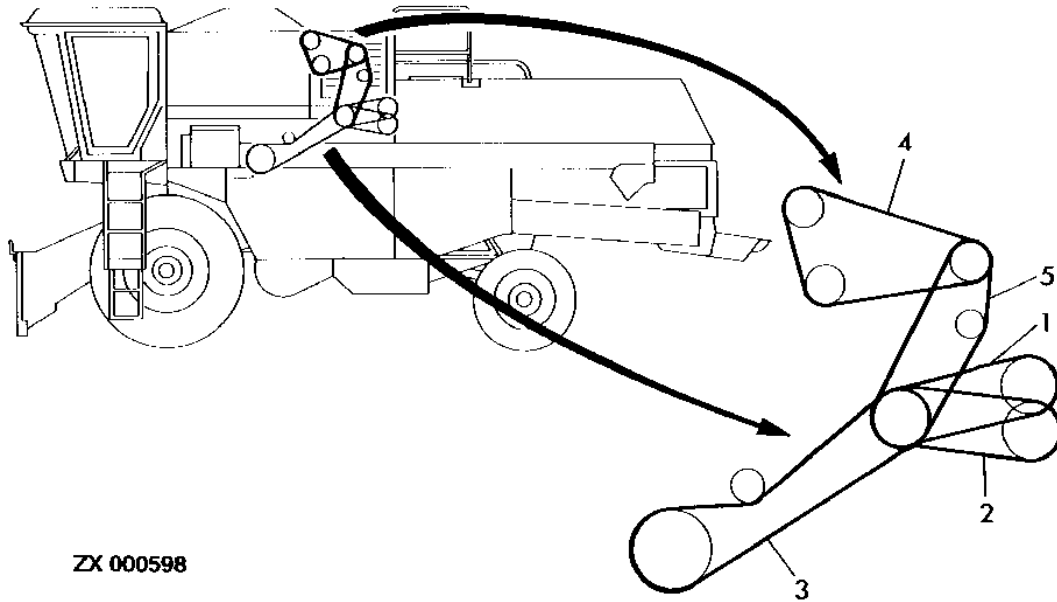
KEY	PART NO.	PART NAME	QTY	SERIAL NO.	REMARKS
1	AZ37807	BELT	1	X	UPPER GROUND DRIVE, PKG. OF (2)
2	Z34099	BELT	1	X	LOWER GROUND DRIVE
3	Z53290	BELT	1	X	HYDROSTATIC DRIVE

4124

DECALS, BELTS AND CHAINS

DRIVE BELTS, LEFT-HAND SIDE

ZX000598 -UN-11JUL96



ZX 000598

4
4
4 3
4 5
3 H
5 Y

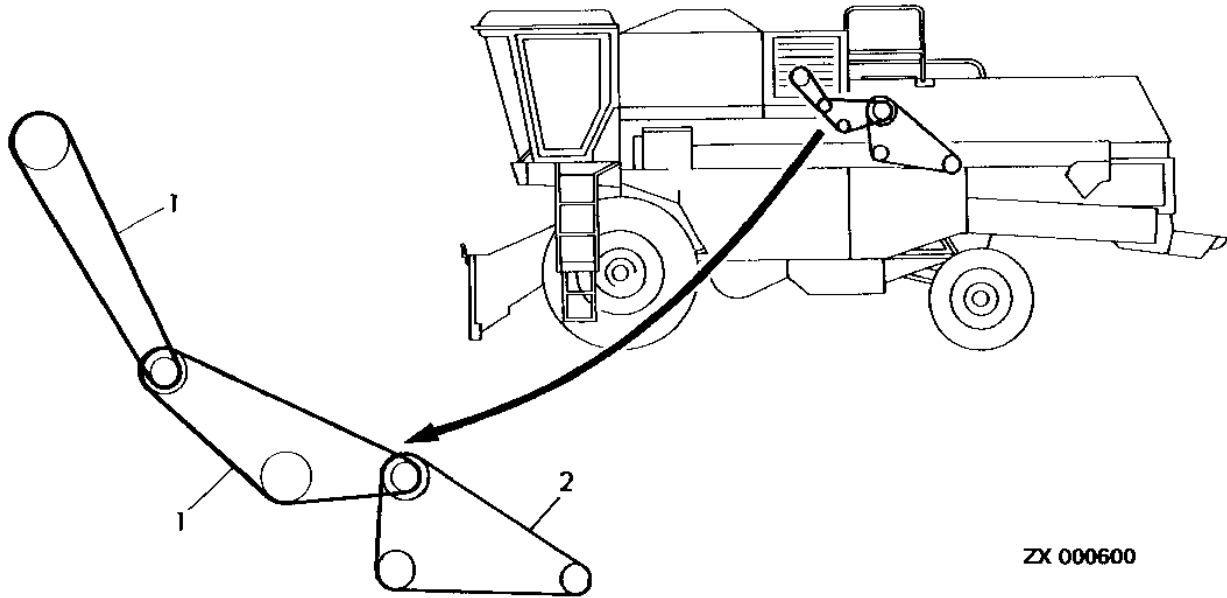
KEY	PART NO.	PART NAME	QTY	SERIAL NO.	REMARKS
1	Z34828	BELT	1	X X	MAIN HYD. PUMP
2	Z46759	BELT	1	X X	COMPRESSOR
3	Z51212	BELT	1	X X	UNLOADING AUGER
4	Z42756	BELT	1	X	COMPRESSOR
5	Z45482	BELT	1	X	CONDENSER FAN

4125

DECALS, BELTS AND CHAINS

ZX000600 -UN-11JUL96

DRIVE BELTS, LEFT-HAND SIDE



ZX 000600

4
4
4 3
4 5
3 H
5 Y

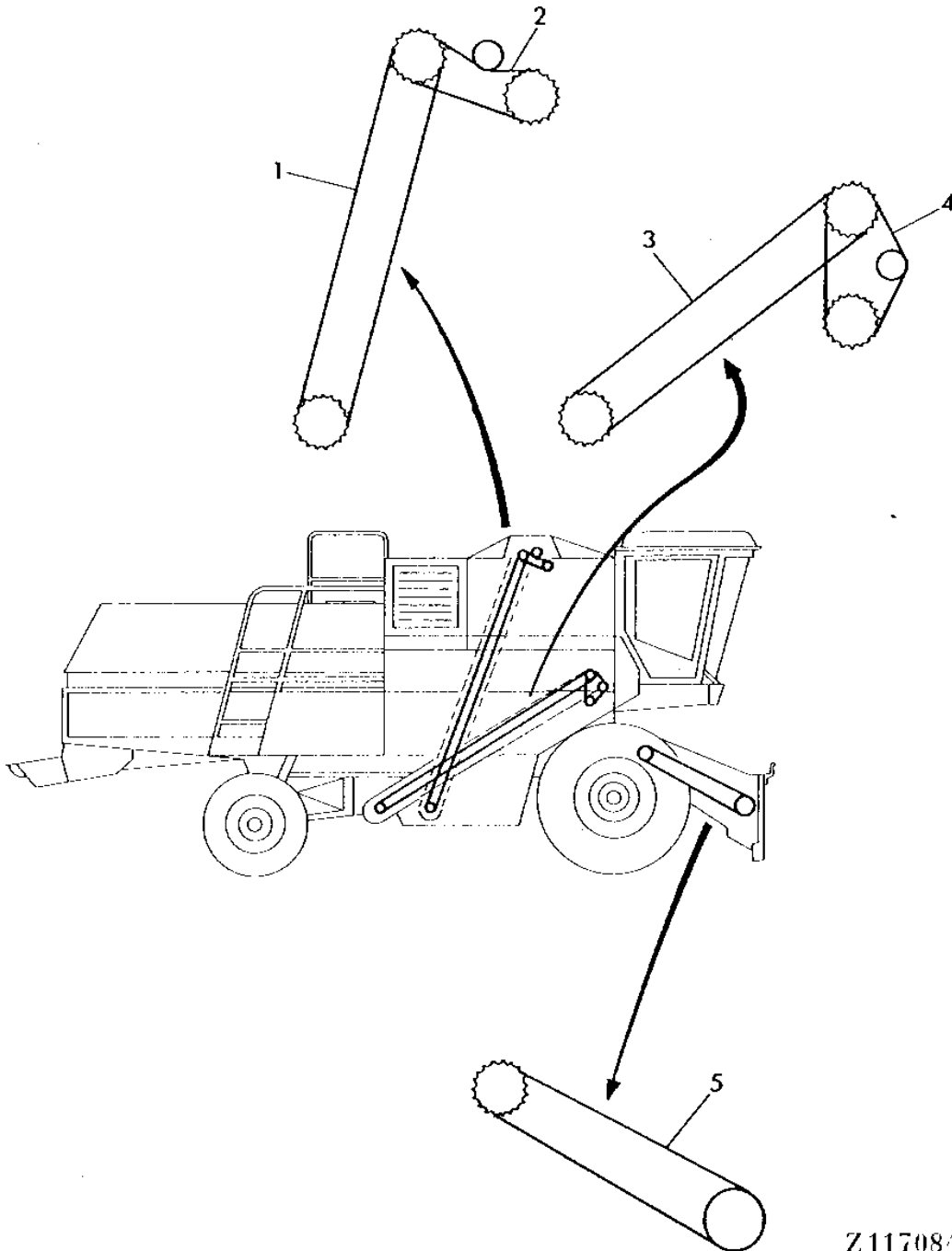
KEY	PART NO.	PART NAME	QTY	SERIAL NO.	REMARKS
1	Z43863	BELT	2	X	CONDENSER ROTARY BLADE
2	Z38704	BELT	1	X	CONDENSER ROTARY BLADE

4J1

DECALS, BELTS AND CHAINS

Z117084 -UN-01JAN94

CHAINS, RIGHT-HAND SIDE



Z117084

4J2

DECALS, BELTS AND CHAINS

CHAINS, RIGHT-HAND SIDE - CONTINUED

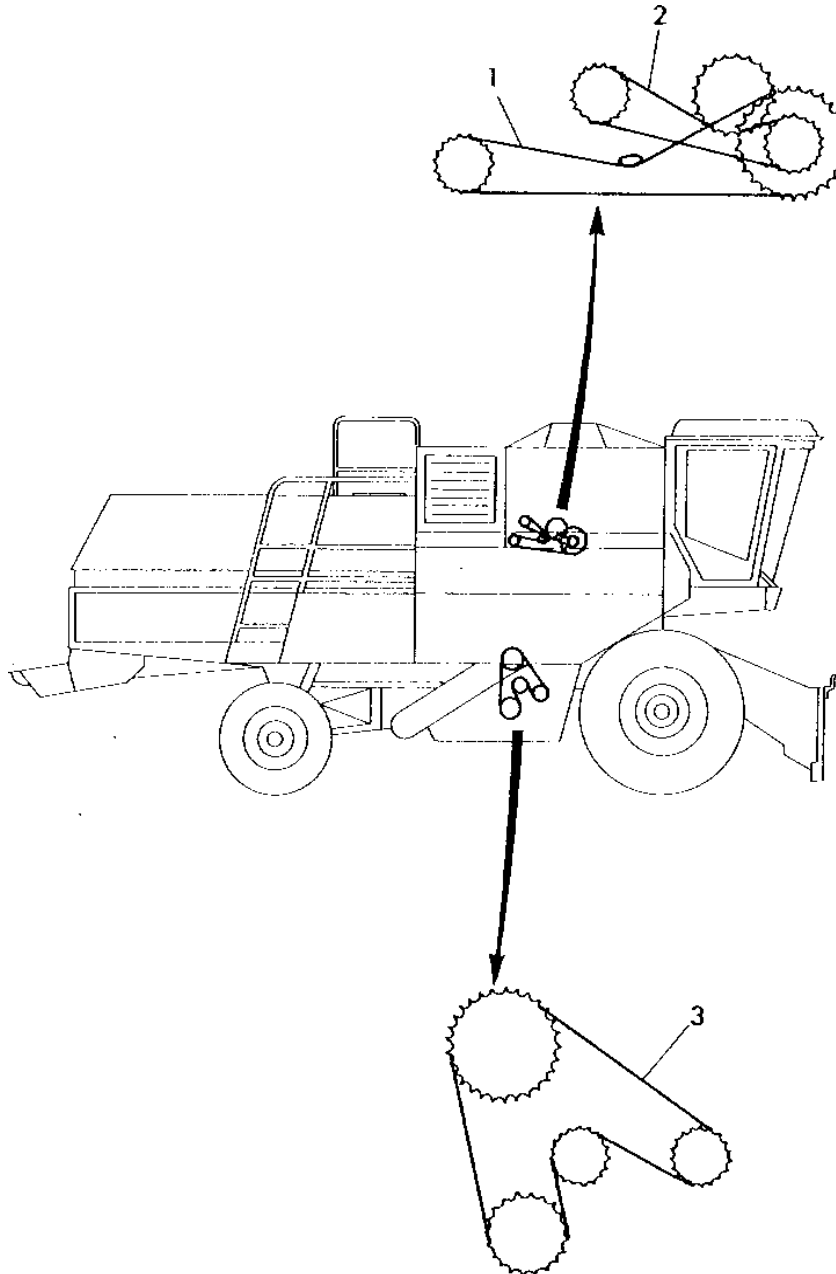
KEY	PART NO.	PART NAME	QTY	SERIAL NO.	4 4 4 3 4 5 3 H 5 Y	REMARKS
1	AZ41079	GATHERER CHAIN	1		X X	CLEAN GRAIN ELEV., 41,4 MM (1-5/8") PITCH, 161 LINKS, (SUB AZ44111)
	AZ44111	GATHERER CHAIN	1		X X	CLEAN GRAIN ELEV., 41,4 MM (1-5/8") PITCH, 161 LINKS
2	AZ32087	ROLLER CHAIN	1		X X	LEVELING AUGER, TYPE 2040, 25,4MM (1") PITCH, 34 LINKS, (SUB FOR AZ32090)
3	AZ41083	GATHERER CHAIN	1		X X	TAILINGS ELEV., 41,4 MM (1-5/8") PITCH, 144 LINKS, (SUB AZ44109)
	AZ44109	GATHERER CHAIN	1		X X	TAILINGS ELEV., 41,4 MM (1-5/8") PITCH, 144 LINKS
4	AZ35566	ROLLER CHAIN	1		X X	UPPER TAILINGS ELEV., TYPE 2040, 25,4MM (1") PITCH, 41 LINKS
5	AZ34253	GATHERER CHAIN	1		X X	FEEDER HOUSE, (COMPLETE ASSEMBLY), (INCL. AZ34239, (2) AZ34238)
	AZ34238	GATHERER CHAIN	2		X X	FEEDER HOUSE - OUTER, 41,4 MM (1-5/8") PITCH, 80 LINKS
	AZ34239	GATHERER CHAIN	1		X X	FEEDER HOUSE - INNER, 41,4 MM (1-5/8") PITCH, 80 LINKS

4J3

DECALS, BELTS AND CHAINS

Z117085 -UN-01JAN94

CHAINS, RIGHT-HAND SIDE



Z117085

4J4

DECALS, BELTS AND CHAINS

CHAINS, RIGHT-HAND SIDE - CONTINUED

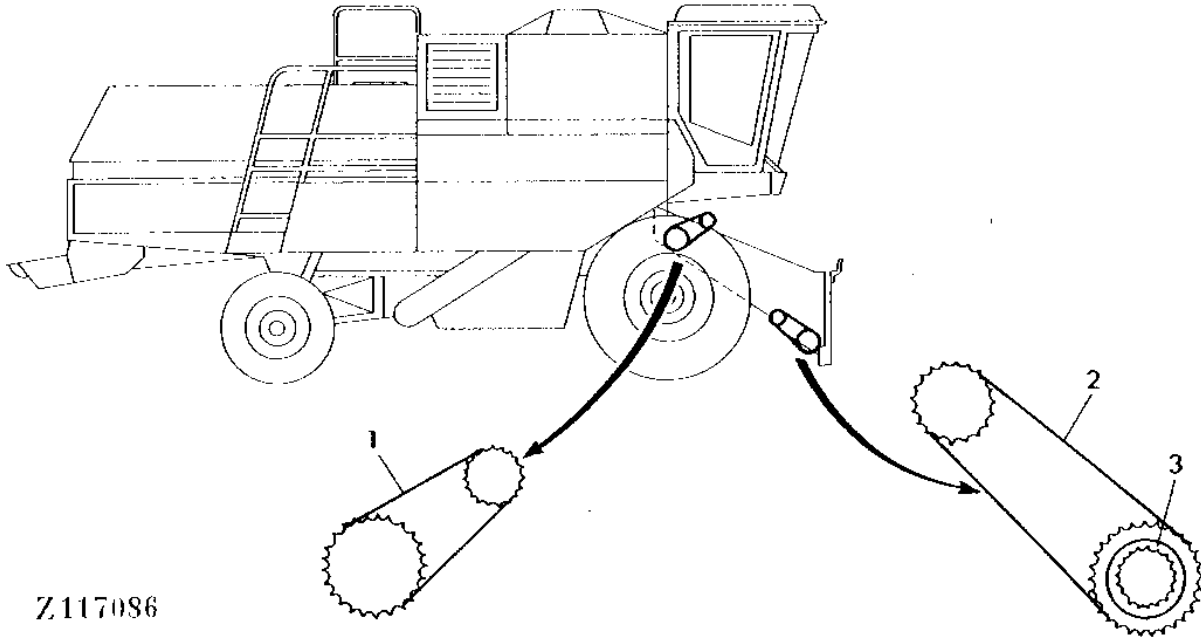
KEY	PART NO.	PART NAME	QTY	SERIAL NO.	4 4 4 3 4 5 3 H 5 Y	REMARKS
1	AZ32301	ROLLER CHAIN	1		X X	UNLOADING AUGER, TYPE 50, 15,875MM (5/8") PITCH, 126 LINKS
2	AZ32304	ROLLER CHAIN	1		X X	PADDLE DRUM, TYPE 50, 15,875MM (5/8") PITCH, 74 LINKS
3	AZ42175	ROLLER CHAIN	1		X X	SHOE / STRAW WALKERS, TYPE 60, 19,05MM (3/4") PITCH, 118 LINKS

4J5

DECALS, BELTS AND CHAINS

Z117086 -UN-01JAN94

CHAINS, RIGHT-HAND SIDE



Z117086

4
4
4 3
4 5
3 H
5 Y

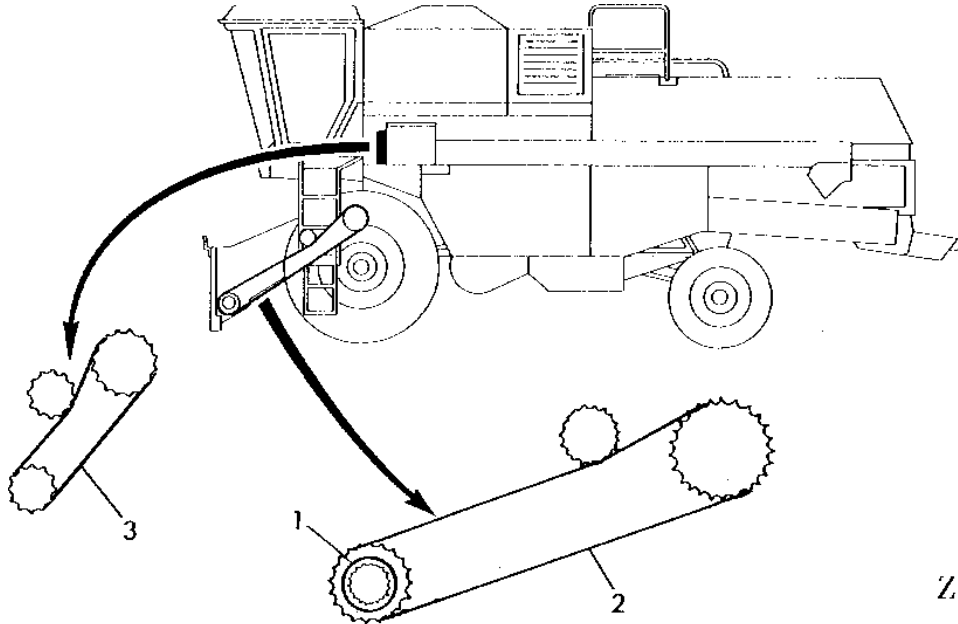
KEY	PART NO.	PART NAME	QTY	SERIAL NO.	REMARKS
1	AL15483	LINK CHAIN	1	X X	REVERSER, TYPE 60, 19,05 MM (3/4") PITCH, 70 LINKS
2	AZ36218	ROLLER CHAIN	1	X X	REEL DRIVE, 15,875MM (5/8") PITCH, 78 LINKS
3	AN102383	LINK CHAIN	1	X X	AUGER DRIVE, 19,05 MM (3/4") PITCH, 13 LINKS

4J6

DECALS, BELTS AND CHAINS

Z117087 -UN-01JAN94

CHAINS, LEFT-HAND SIDE



Z117087

4
4
4 3
4 5
3 H
5 Y

KEY	PART NO.	PART NAME	QTY	SERIAL NO.	REMARKS
1	AN102383	LINK CHAIN	1	X X	FEEDER HOUSE, 19,05 MM (3/4") PITCH, 13 LINKS
2	AZ28814	LINK CHAIN	1	X X	FEEDER HOUSE, TYPE 60, 19,05 MM (3/4") PITCH, 193 LINKS
3	AZ36031	ROLLER CHAIN	1	X X	UNLOADING AUGER, 19,05 MM(3/4") PITCH, 38 LINKS

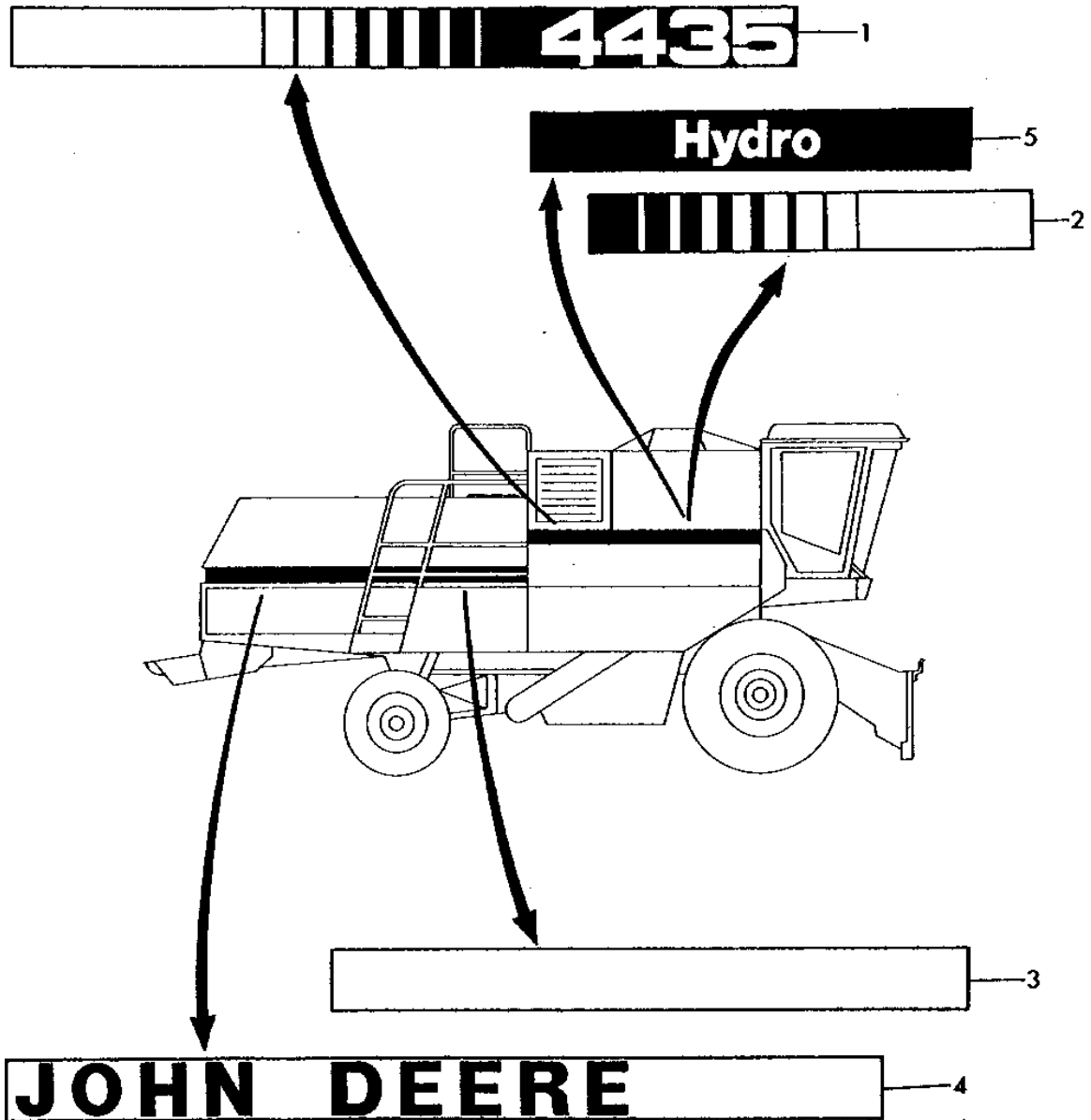
4J7

DECALS, BELTS AND CHAINS

Z118243

-UN-01JAN94

RIGHT-HAND DECALS



Z118243

4J8

DECALS, BELTS AND CHAINS

RIGHT-HAND DECALS - CONTINUED

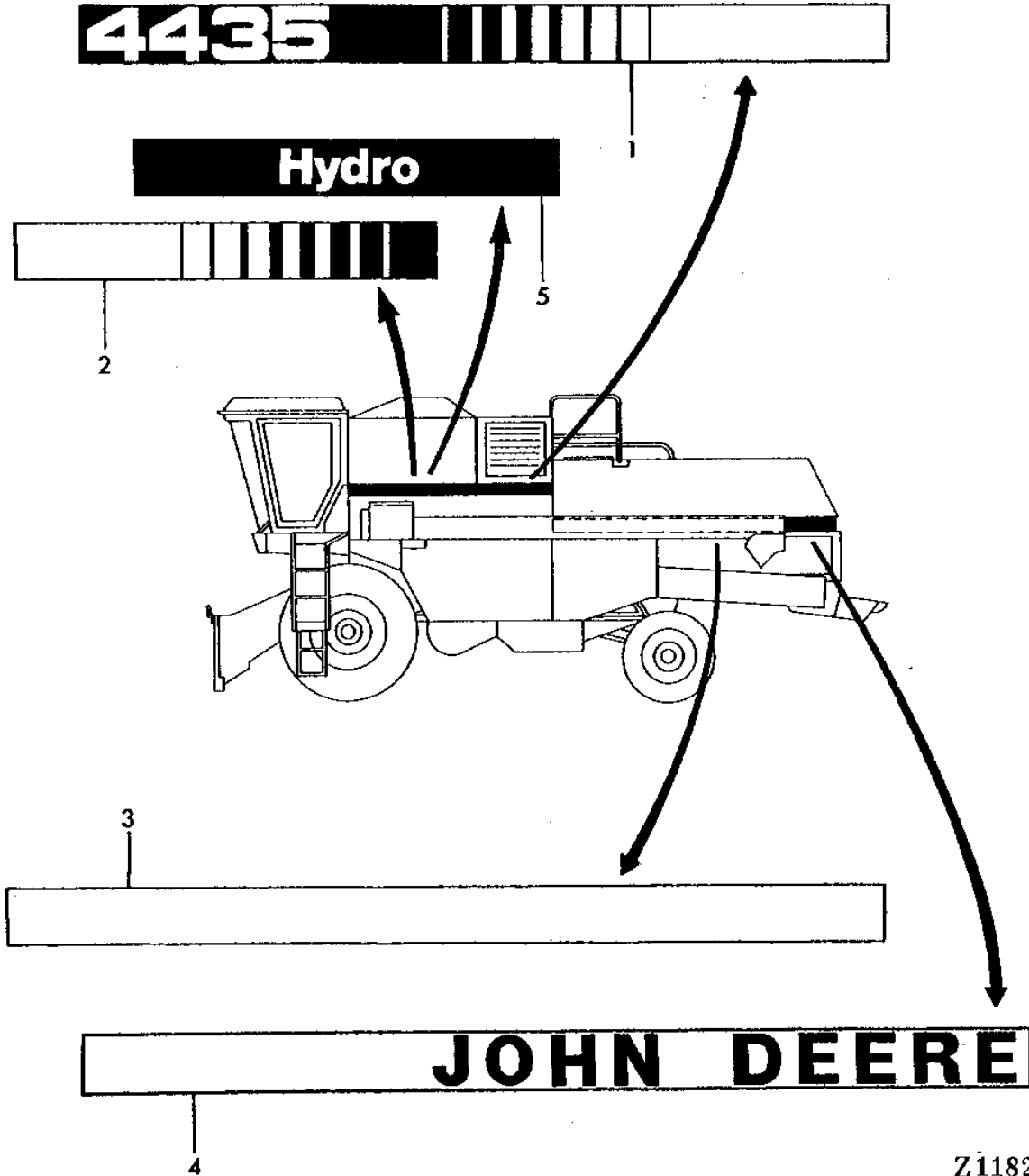
KEY	PART NO.	PART NAME	QTY	SERIAL NO.	4 4 4 3 4 5 3 H 5 Y	REMARKS
1	Z52400	LABEL	1		X X	
2	Z46797	LABEL	1		X X	
3	Z47063	LABEL	1		X X	
4	Z47067	LABEL	1		X X	
5	Z53312	LABEL	1		X	

4J9

DECALS, BELTS AND CHAINS

Z118244 -UN-01JAN94

LEFT-HAND DECALS



Z118244

4J10

DECALS, BELTS AND CHAINS

LEFT-HAND DECALS - CONTINUED

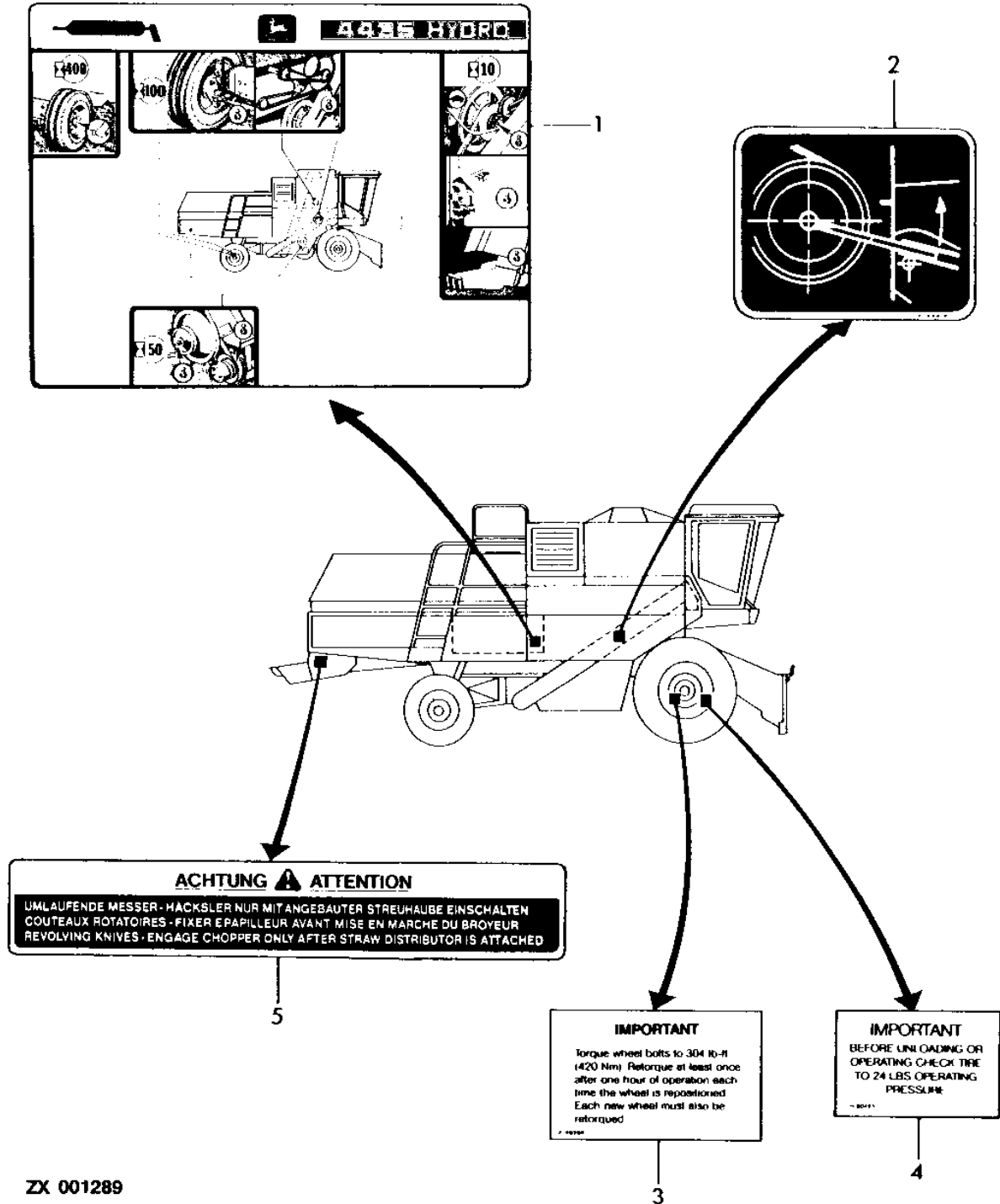
KEY	PART NO.	PART NAME	QTY	SERIAL NO.	4 4 4 3 4 5 3 H 5 Y	REMARKS
1	Z52374	LABEL	1		X X	
2	Z46797	LABEL	1		X X	
3	Z47063	LABEL	1		X X	
4	Z47068	LABEL	1		X X	
5	Z53312	LABEL	1		X	

4J11

DECALS, BELTS AND CHAINS

ZX001289 -UN-01JAN94

RIGHT-HAND DECALS



ZX 001289

4J12

DECALS, BELTS AND CHAINS

RIGHT-HAND DECALS - CONTINUED

KEY	PART NO.	PART NAME	QTY	SERIAL NO.	4 4 4 3 4 5 3 H 5 Y	REMARKS
1	Z52402	LABEL	1		X X	(SUB Z56856)
	Z56856	LABEL	1		X X	
2	Z44218	DECAL	1		X X	
3	Z45269	LABEL	1		X X	
4	H80493	LABEL	1		X X	
5	Z41097	DECAL	1		X X	(SUB Z55637)
	Z55637	DECAL	1		X X	

4J13

DECALS, BELTS AND CHAINS

ZX001290 -UN-01JAN94

LEFT-HAND DECALS

2

		RADIAL	
18.4-28 (8.0PR)	330 kPa 23.5 BAR 33.4 PSI	23.1-26 (8.0PR)	210 kPa 15.0 BAR 21.7 PSI
18.4-30 (12 PR)	300 kPa 2.1 BAR 43.1 PSI	23.1-26 (10PR)	190 kPa 1.4 BAR 41.0 PSI
18.4-30 (14 PR)	330 kPa 2.3 BAR 47.8 PSI	23.1-26 (12PR)	230 kPa 1.7 BAR 61.8 PSI
18.4-30 (16 PR)	360 kPa 2.6 BAR 52.2 PSI	23.1-26 (14PR)	180 kPa 1.3 BAR 26.1 PSI
23.1-26 (10PR)	180 kPa 1.3 BAR 26.1 PSI	23.1-26 (12PR)	150 kPa 1.1 BAR 20.3 PSI
23.1-26 (12PR)	210 kPa 1.5 BAR 30.5 PSI	23.1-26 (14PR)	130 kPa 0.9 BAR 18.8 PSI
10.5-18 (8.0PR)	230 kPa 1.7 BAR 33.4 PSI	14.5-17.5 (20)	180 kPa 1.3 BAR 26.1 PSI
10.5-18 (8.0PR)	300 kPa 2.1 BAR 43.1 PSI	17.2-24	300 kPa 2.1 BAR 43.1 PSI
12.5-18 (8.0PR)	300 kPa 2.1 BAR 43.1 PSI	14.8-24	180 kPa 1.3 BAR 26.1 PSI
13.8-18 (11PR)	210 kPa 1.5 BAR 30.5 PSI	14.8-24	180 kPa 1.3 BAR 26.1 PSI

3

IMPORTANT
Torque wheel bolts to 304 lb-ft (420 Nm). Retorque at least once after one hour of operation each time the wheel is repositioned. Each new wheel must also be retorqued.

4

IMPORTANT
BEFORE UNLOADING OR OPERATING CHECK TIRE TO 24 LBS OPERATING PRESSURE

5

4436 HYDRA

4436

ZX 001290

4J14

DECALS, BELTS AND CHAINS

LEFT-HAND DECALS - CONTINUED

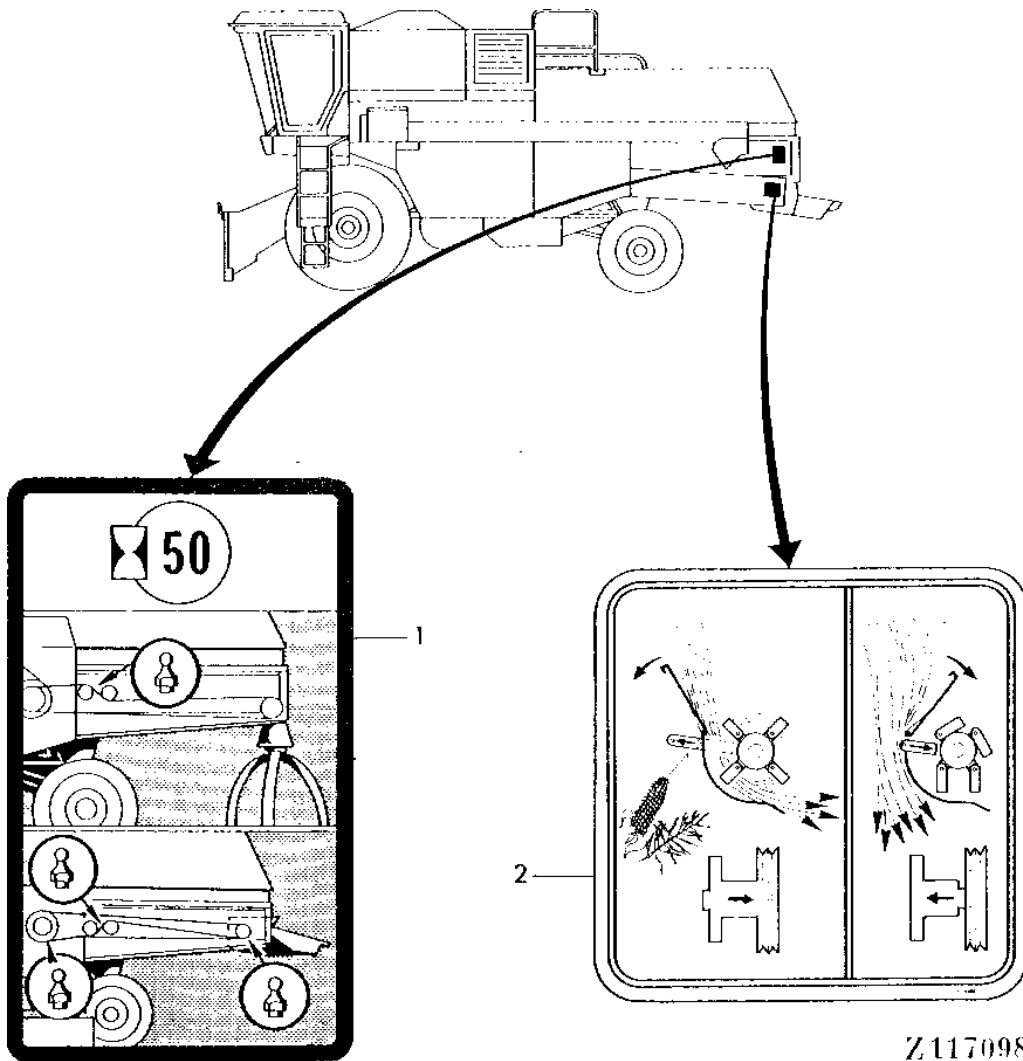
KEY	PART NO.	PART NAME	QTY	SERIAL NO.	4 4 4 3 4 5 3 H 5 Y	REMARKS
1	Z51462	LABEL	1		X X	
2	Z53166	LABEL	1		X X	(SUB Z56490)
	Z56490	LABEL	1		X X	
3	Z45269	LABEL	1		X X	
4	H80493	LABEL	1		X X	
5	Z52401	LABEL	1		X	
6	Z53356	LABEL	1		X	(SUB Z56857)
	Z56857	LABEL	1		X	

4J15

DECALS, BELTS AND CHAINS

Z117098 -UN-01JAN94

LEFT-HAND DECALS



4J16

DECALS, BELTS AND CHAINS

LEFT-HAND DECALS - CONTINUED

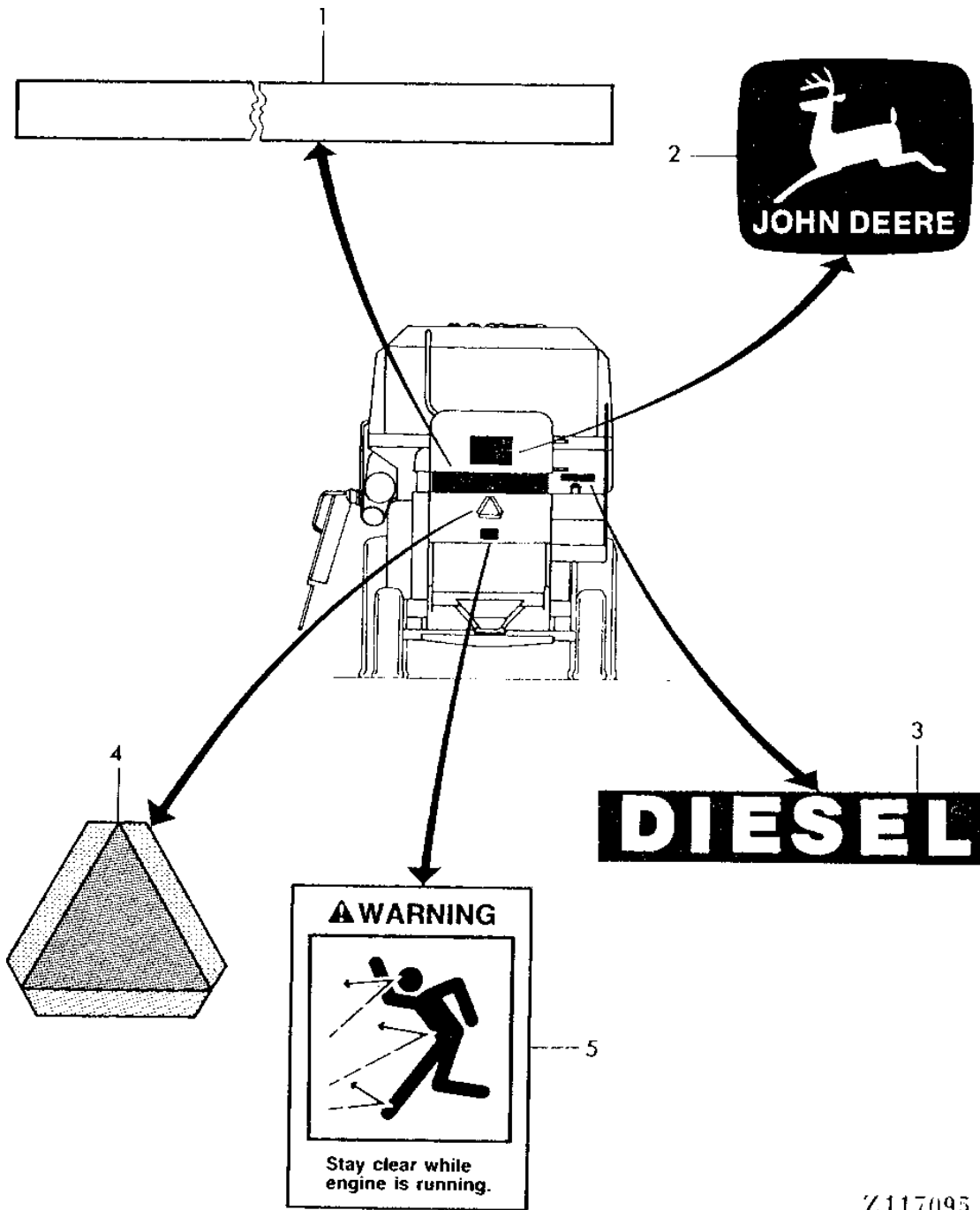
KEY	PART NO.	PART NAME	QTY	SERIAL NO.	4 4 4 3 4 5 3 H 5 Y	REMARKS
1	Z48301	LABEL	1		X X	
2	Z51681	LABEL	1		X X	

4J17

DECALS, BELTS AND CHAINS

Z117095 -UN-01JAN94

REAR DECALS



Z117095

4J18

DECALS, BELTS AND CHAINS

REAR DECALS - CONTINUED

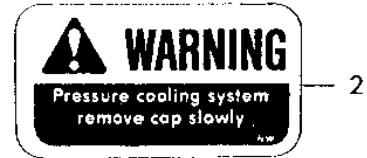
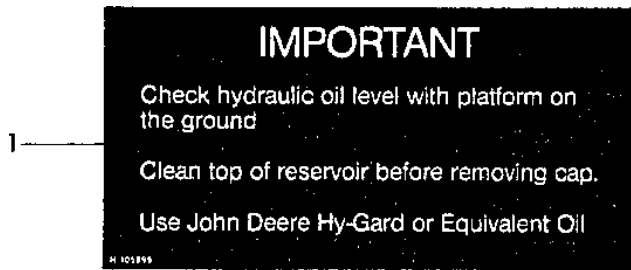
KEY	PART NO.	PART NAME	QTY	SERIAL NO.	4 4 4 3 4 5 3 H 5 Y	REMARKS
1	Z47064	LABEL	1		X X	
2	JD5592	DECAL	1		X X	
3	H83107	DECAL	1		X X	
4	JD5401	DECAL	1		X X	
5	H138989	LABEL	1		X X	

4J19

DECALS, BELTS AND CHAINS

Z117100 -UN-01JAN94

ENGINE SECTION DECALS



Z117100

KEY	PART NO.	PART NAME	QTY	SERIAL NO.	REMARKS
1	H105899	DECAL	1		X X
2	A2913R	DECAL	1		X X
3	Z47593	DECAL	1		X X

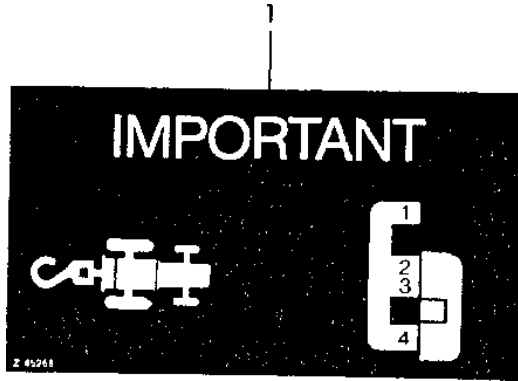
4
4
4 3
4 5
3 H
5 Y

4J20

DECALS, BELTS AND CHAINS

Z117101 -UN-01JAN94

DECALS



Z117101

KEY	PART NO.	PART NAME	QTY	SERIAL NO.	REMARKS
1	Z45268	DECAL	1	X X	(FRONT AXLE)

4
4
4 3
4 5
3 H
5 Y

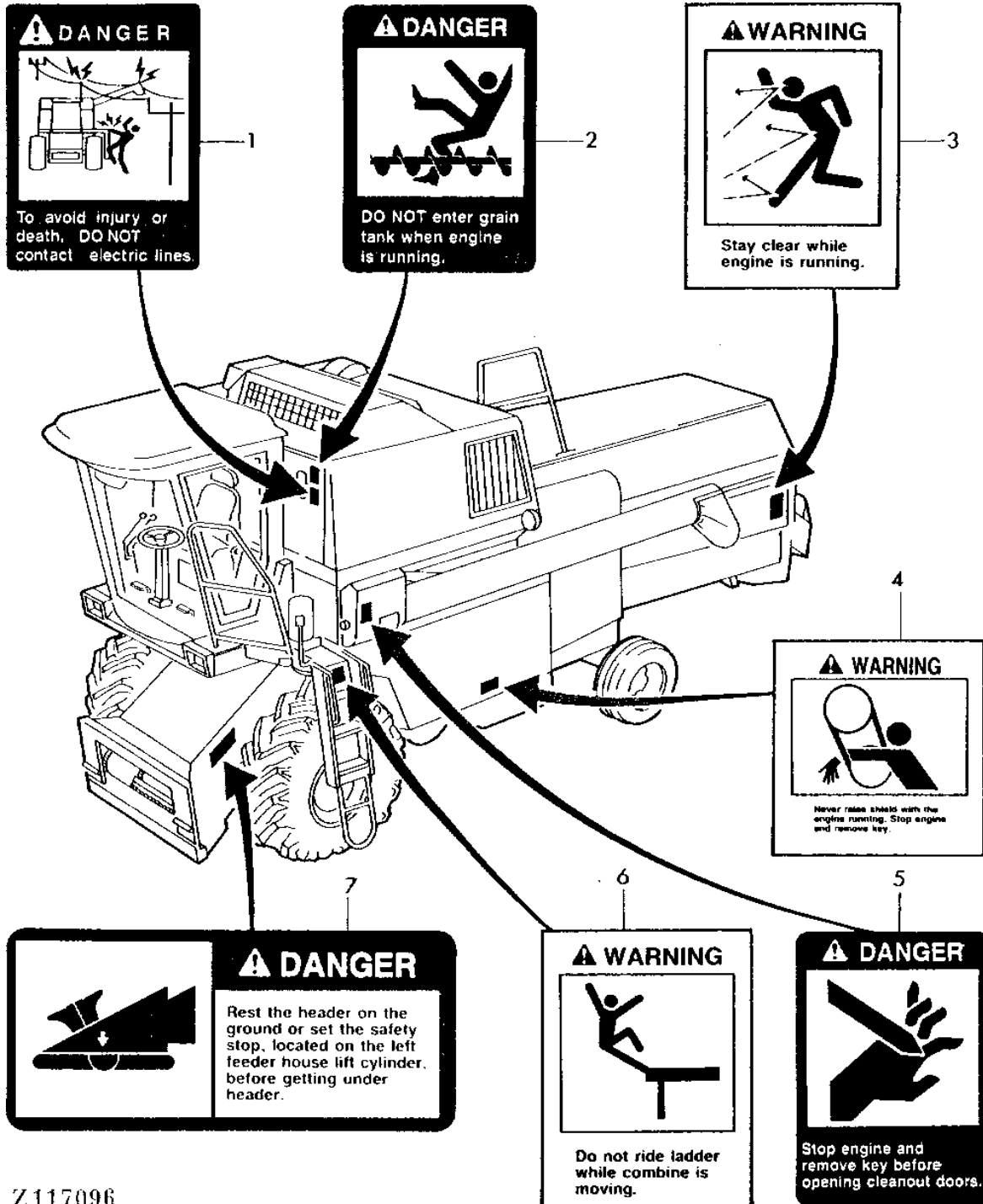
4J21

DECALS, BELTS AND CHAINS

Z117096

-UN-01JAN94

LEFT-HAND DECALS



Z117096

4J22

DECALS, BELTS AND CHAINS

LEFT-HAND - CONTINUED

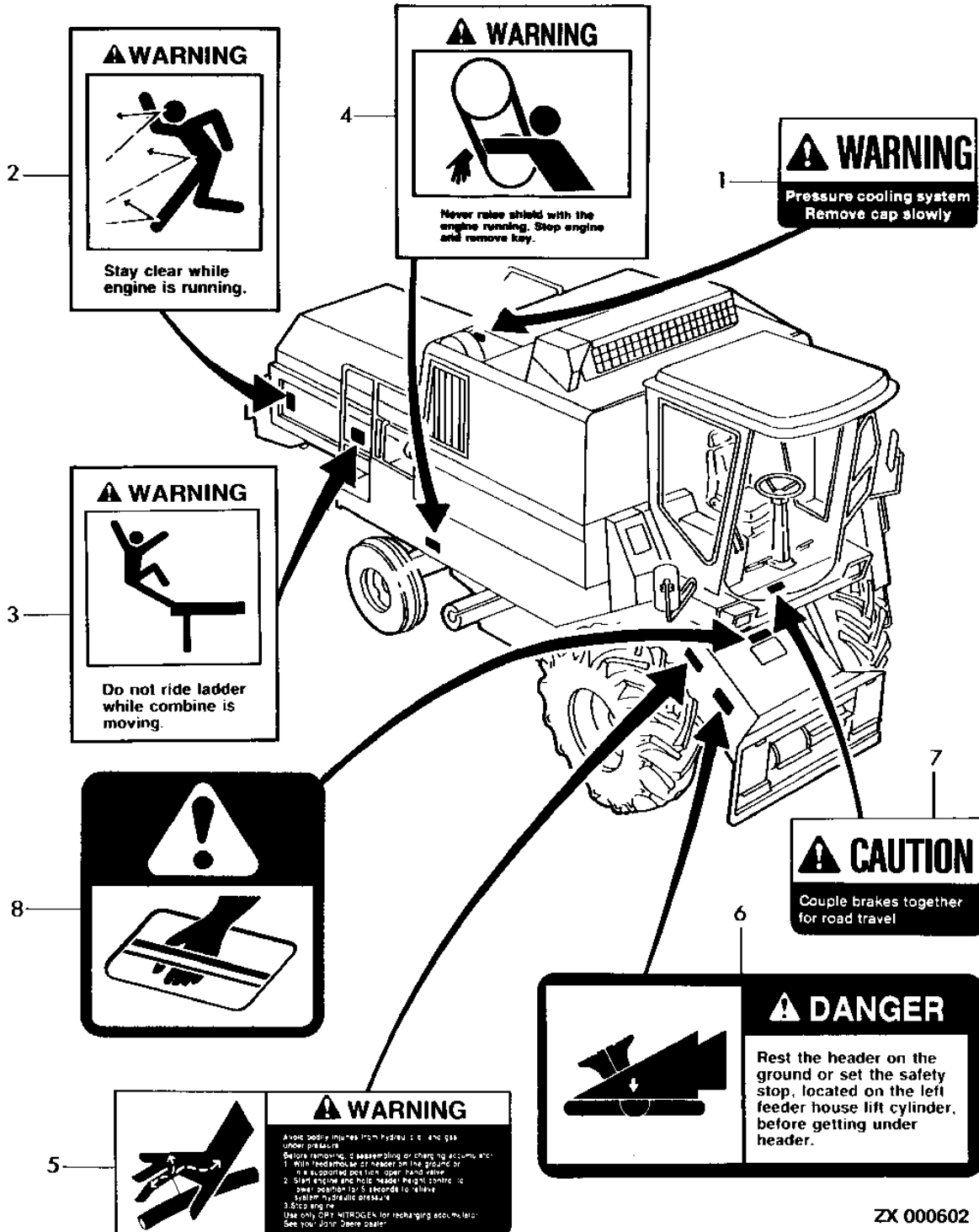
KEY	PART NO.	PART NAME	QTY	SERIAL NO.	4 4 4 3 4 5 3 H 5 Y	REMARKS
1	H137426	LABEL	1		X X	
2	H133638	LABEL	1		X X	
3	H138989	LABEL	1		X X	
4	H139948	LABEL	1		X X	
5	H133642	LABEL	1		X X	
6	H133640	LABEL	1		X X	
7	H133639	LABEL	1		X X	

4J23

DECALS, BELTS AND CHAINS

ZX000602 -UN-11JUL96

RIGHT-HAND DECALS



ZX 000602

4J24

DECALS, BELTS AND CHAINS

RIGHT-HAND DECALS - CONTINUED

KEY	PART NO.	PART NAME	QTY	SERIAL NO.	4 4 4 3 4 5 3 H 5 Y	REMARKS
1	A2913R	LABEL	1		X X	
2	H138989	LABEL	1		X X	
3	H133640	LABEL	1		X X	
4	H139948	LABEL	1		X X	
5	H133643	LABEL	1		X X	
6	H133639	LABEL	1		X X	
7	H100667	LABEL	1		X X	
8	Z48026	LABEL	1		X	

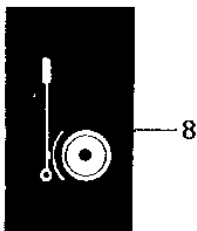
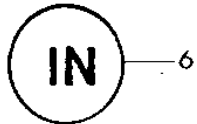
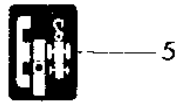
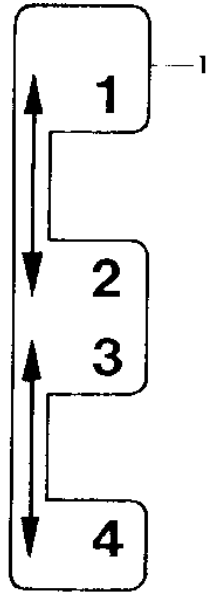
4K1

DECALS, BELTS AND CHAINS

Z117099

-UN-01JAN94

OPERATOR'S PLATFORM DECALS



Z117099

4K2

DECALS, BELTS AND CHAINS

OPERATOR'S PLATFORM DECALS - CONTINUED

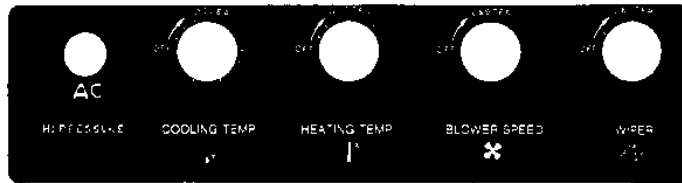
KEY	PART NO.	PART NAME	QTY	SERIAL NO.	4 4 4 3 4 5 3 H 5 Y	REMARKS
1	Z44392	DECAL	1		X X	
2	Z32178	DECAL	1		X X	
3	Z44884	DECAL	1		X X	
4	Z44393	DECAL	1		X X	
5	Z45251	LABEL	1		X X	
6	Z32500	DECAL	2		X X	
7	Z32501	DECAL	2		X X	
8	Z44881	DECAL	1		X X	
9	Z41210	DECAL	1		X X	
10	Z41211	DECAL	1		X X	
11	Z41135	DECAL	1		X X	
12	Z44100	DECAL	1		X X	
13	Z44882	DECAL	1		X X	
14	Z44883	DECAL	1		X X	

4K3

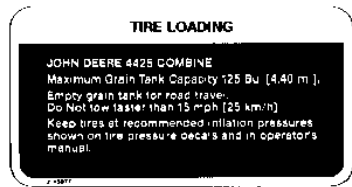
DECALS, BELTS AND CHAINS

ZX000603 -UN-11JUL96

OPERATOR'S PLATFORM DECALS



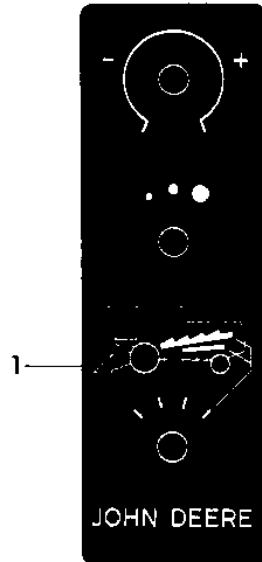
2



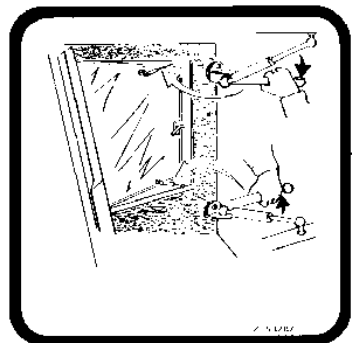
3



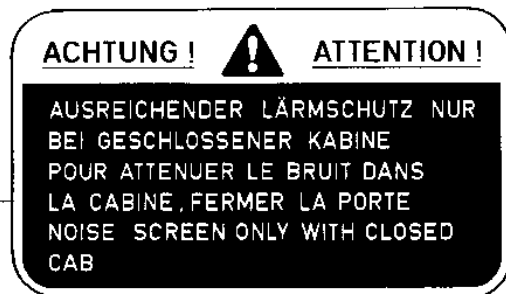
4



1



5



6

ZX 000603

4K4

DECALS, BELTS AND CHAINS

OPERATOR'S PLATFORM DECALS - CONTINUED

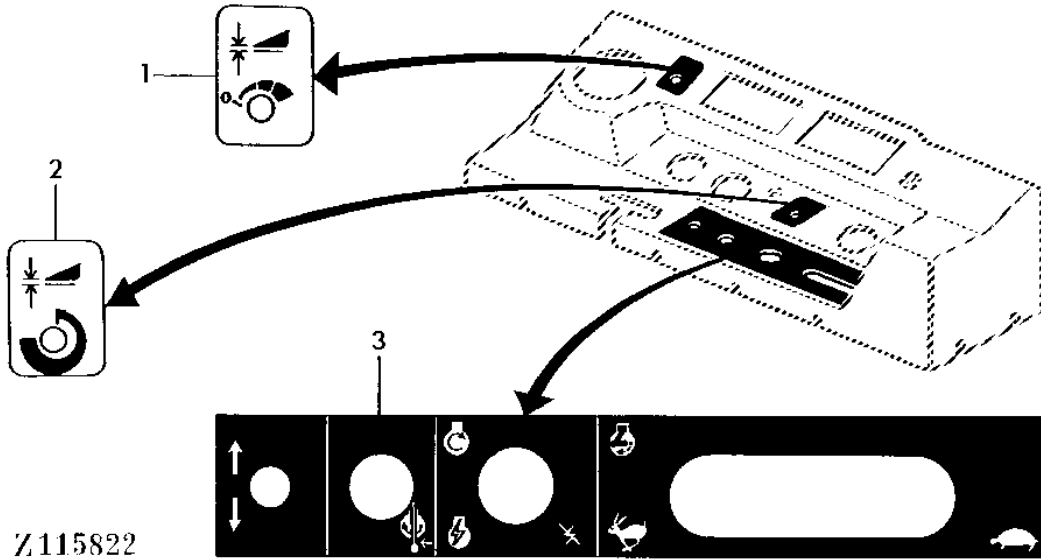
KEY	PART NO.	PART NAME	QTY	SERIAL NO.	4 4 4 3 4 5 3 H 5 Y	REMARKS
1	Z42595	DECAL	1		X X	
2	H113022	LABEL	1		X X	
3	Z53163	LABEL	1		X X	
4	H100667	LABEL	1		X X	
5	Z53287	LABEL	1		X X	
6	Z55638	DECAL	1		X X	

4K5

DECALS, BELTS AND CHAINS

Z115822 -UN-06AUG96

DASHBOARD PANEL DECALS



4
4
4 3
4 5
3 H
5 Y

KEY	PART NO.	PART NAME	QTY	SERIAL NO.	REMARKS
1	Z43660	DECAL	1		X X
2	Z46938	DECAL	1		X X
3	Z53067	LABEL	1		X X

1L3

4435 AND 4435 HYDRO COMBINES

NUMERICAL INDEX

PART NO.	GRID	KEY	PAGE	PART NO.	GRID	KEY	PAGE	PART NO.	GRID	KEY	PAGE
AE36861	2H21	5	70 - 42	AH81167	2I1	7	70 - 47	AL56541	2D8	18	50 - 51
AE48173	2H6	2	70 - 27	AH81622	2D24	21	50 - 67	AL58295	1I24	9	40 - 83
AE48174	2H6	15	70 - 27	AH86809	4B23	8	120 - 17	AL58295	3E2	5	90 - 69
AH103515	3D14	5	90 - 57	AH86809	4B25	40	120 - 19	AL58366	1G2	9	40 - 15
AH104380	1I16	4	40 - 75	AH87130	2C22	7	50 - 41	AL58366	1G10	1	40 - 21
AH107036	1H2	25	40 - 39	AH87132	2C24	1	50 - 43	AL58366	1H14	19	40 - 51
AH108414	1I16	9	40 - 75	AH87139	2D2	21	50 - 45	AL58366	1I24	17	40 - 83
AH108480	1I16	7	40 - 75	AH87140	2C24	9	50 - 43	AL62690	1F18	1	40 - 5
AH108756	3D14	19	90 - 57	AH87141	2C24	5	50 - 43	AL63095	1F18	26	40 - 5
AH108757	3D14	19	90 - 57	AH87966	3E20	23	90 - 87	AL64937	1I12	4	40 - 73
AH109793	1H8	3	40 - 45	AH89038	3G16	5	110 - 27	AL66622	1F16	8	40 - 3
AH109793	1I6	12	40 - 67	AH90781	1H2	17	40 - 39	AL66925	3D22	4	90 - 66
AH109794	1I4	3	40 - 65	AH90798	1I18	16	40 - 77	AL67574	2E21	18	60 - 17
AH110953	1J2	15	40 - 85	AH92897	2I2	3	70 - 48	AL69179	2E21	15	60 - 17
AH111152	3D23	3	90 - 67	AH94131	2I2	1	70 - 48	AL69179	2E21	18	60 - 17
AH111152	3D25	28	90 - 67B	AH96135	2D2	13	50 - 45	AL77324	1G2	9	40 - 15
AH111485	1I16	16	40 - 75	AH96244	1H2	16	40 - 39	AL77324	1G10	1	40 - 21
AH112469	3D23	5	90 - 67	AH97031	4D16	7	120 - 61	AL77324	1H14	19	40 - 51
AH112469	3D25	29	90 - 67B	AH98118	4I8	9	130 - 59	AL77324	1I24	17	40 - 83
AH112675	2B9	15	50 - 3	AH99398	2C6	8	50 - 25	AM30347	2E3	3	50 - 70
AH112677	2B13	7	50 - 7	AL11174	1G25	3	40 - 37	AM30347	2E17	4	60 - 12
AH112677	2B24	3	50 - 19	AL14209	4H25	18	130 - 51	AM3098T	2F5	19	60 - 27
AH112678	2B13	15	50 - 7	AL14211	3G8	9	110 - 19	AN102383	3G16	8	110 - 27
AH112678	2B22	19	50 - 17	AL14211	3G10	41	110 - 21	AN102383	4J5	3	150 - 14
AH112680	2B9	5	50 - 3	AL14908	3G8	8	110 - 19	AN102383	4J6	1	150 - 15
AH114865	3F4	9	90 - 97	AL14908	3G10	40	110 - 21	AN122494	2B15	9	50 - 9
AH116632	2H12	5	70 - 33	AL15483	3G10	39	110 - 21	AN122497	2C2	4	50 - 21
AH120712	3D14	27	90 - 57	AL15483	4J5	1	150 - 14	AN122498	2B19	6	50 - 13
AH122354	2H25	11	70 - 46	AL15953	4G12	19	130 - 13	AN122502	2B13	19	50 - 7
AH122371	2H25	12	70 - 46	AL15953	4G18	25	130 - 19	AN122515	2C2	3	50 - 21
AH125783	3G16	12	110 - 27	AL15954	4G12	20	130 - 13	AN122518	2B9	12	50 - 3
AH128923	1I16	20	40 - 75	AL15954	4G18	24	130 - 19	AN122523	2C2	7	50 - 21
AH130127	1E22	1	30 - 28	AL17552	2H24	2	70 - 45	AN192380	2B11	14	50 - 5
AH15442	2H21	17	70 - 42	AL23836	2E21	18	60 - 17	AN192380	2B22	12	50 - 17
AH15442	2H22	1	70 - 43	AL24294	1H20	46	40 - 57	AN30940	2G15	6	70 - 11
AH15940	2I6	5	70 - 53	AL24526	1H20	47	40 - 57	AN30940	2G17	4	70 - 13
AH18240	2D16	19	50 - 59	AL25267	1F18	6	40 - 5	AN31211	3G8	4	110 - 19
AH20868	2D16	1	50 - 59	AL25273	1F18	4	40 - 5	AN33278	2D10	11	50 - 53
AH20868	4B25	7	120 - 19	AL25913	2K16	8	80 - 53	AN70684	4B23	22	120 - 17
AH21762	3E14	16	90 - 81	AL25914	2K16	7	80 - 53	AN71222	2D10	22	50 - 53
AH21763	3E14	12	90 - 81	AL28457	2F9	15	60 - 31	AP19769	1D18	9	20 - 61
AH21815	2D18	20	50 - 61	AL32777	2F11	7	60 - 33	AP24917	4F12	11	120 - 101
AH62106	2D24	4	50 - 67	AL32975	1F24	12	40 - 11	AP24917	4G10	16	130 - 11
AH63330	2G15	11	70 - 11	AL36528	1I24	10	40 - 83	AR100056	3E2	3	90 - 69
AH63565	2H10	2	70 - 31	AL36529	1I24	11	40 - 83	AR100124	1B16	2	20 - 12
AH65358	2B13	14	50 - 7	AL36533	2F9	22	60 - 31	AR102260	1B16	3	20 - 12
AH65358	2B22	18	50 - 17	AL36535	1I8	16	40 - 69	AR103750	1I24	16	40 - 83
AH66400	2H21	16	70 - 42	AL36643	3B22	29	90 - 17	AR104555	1E10	1	30 - 14
AH66645	2H21	10	70 - 42	AL36644	3B22	3	90 - 17	AR21836	2H24	9	70 - 45
AH66646	2H21	11	70 - 42	AL36645	3B22	5	90 - 17	AR21837	1C23	1	20 - 41
AH66648	2H22	9	70 - 43	AL36647	3B22	4	90 - 17	AR21837	1H2	26	40 - 39
AH75167	2I4	17	70 - 51	AL36648	3B22	30	90 - 17	AR21837	3E2	2	90 - 69
AH76992	2C18	2	50 - 37	AL36989	2F11	14	60 - 33	AR26724	2G23	4	70 - 19
AH77612	2I4	19	70 - 51	AL37269	1J4	3	40 - 87	AR26746	2F1	2	60 - 22
AH77869	3D23	7	90 - 67	AL37525	3D23	10	90 - 67	AR41785	2K16	4	80 - 53
AH77869	3D25	30	90 - 67B	AL37525	3D25	25	90 - 67B	AR46984	1J3	6	40 - 86
AH77869	3E2	11	90 - 69	AL37593	2F11	20	60 - 33	AR46985	1J3	5	40 - 86
AH77924	2I4	11	70 - 51	AL39043	3D22	1	90 - 66	AR46986	1J3	8	40 - 86
AH78124	2H12	14	70 - 33	AL39286	3D19	5	90 - 62	AR48236	3D23	17	90 - 67
AH78760	2H25	3	70 - 46	AL41520	1F18	14	40 - 5	AR48236	3D25	17	90 - 67B
AH78765	1I18	13	40 - 77	AL41522	1F18	9	40 - 5	AR48675	1C25	4	20 - 43
AH78788	2G15	22	70 - 11	AL41525	1F18	22	40 - 5	AR48724	1H20	31	40 - 57
AH80223	2G17	12	70 - 13	AL55042	1F18	8	40 - 5	AR50041	1E4	2	30 - 8
AH80916	1G8	16	40 - 19	AL55043	1F18	20	40 - 5	AR50041	1E5	2	30 - 9
AH80916	1I2	16	40 - 63	AL55044	1F18	18	40 - 5	AR50411	1D3	1	20 - 46
AH80916	1I12	12	40 - 73	AL55046	1F18	27	40 - 5	AR54445	1H20	27	40 - 57
AH81165	2H25	2	70 - 46	AL55047	1F18	16	40 - 5	AR54808	2F9	3	60 - 31

1L4

4435 AND 4435 HYDRO COMBINES

NUMERICAL INDEX - CONTINUED

PART NO.	GRID	KEY	PAGE	PART NO.	GRID	KEY	PAGE	PART NO.	GRID	KEY	PAGE
AR58147	3E14	10	90 - 81	AT32338	2G9	3	70 - 5	AZ19843	4G12	31	130 - 13
AR58287	3E14	6	90 - 81	AT35599	2I4	18	70 - 51	AZ19843	4G14	24	130 - 15
AR58482	3D25	10	90 - 67B	AT35831	3E2	15	90 - 69	AZ19843	4G18	30	130 - 19
AR59621	1C14	9	20 - 31	AT38033	2F17	17	60 - 39	AZ19843	4G20	4	130 - 21
AR59779	1I24	2	40 - 83	AT39623	1E14	10	30 - 19	AZ19843	4H9	28	130 - 35
AR62399	1D3	5	20 - 46	AT57288	1E14	12	30 - 19	AZ19844	4D6	31	120 - 51
AR62492	1D3	8	20 - 46	AT58891	1C21	3	20 - 39	AZ19844	4E2	17	120 - 71
AR63616	2E21	1	60 - 17	AT63170	3F4	9	90 - 97	AZ19844	4E4	3	120 - 73
AR65294	1D23	8	30 - 3	AT63265	1G4	1	40 - 17	AZ19844	4H15	12	130 - 41
AR65507	1C6	4	20 - 23	AT63265	1G6	1	40 - 17B	AZ19844	4H17	2	130 - 43
AR65507	1C8	3	20 - 25	AZ10020	3F23	3	110 - 11	AZ19844	4I2	11	130 - 53
AR65507	1C10	3	20 - 27	AZ10020	4D12	5	120 - 57	AZ19844	4I4	15	130 - 55
AR65507	1C11	4	20 - 28	AZ10020	4D14	5	120 - 59	AZ19845	4B15	2	120 - 9
AR65507	1D2	3	20 - 45	AZ10020	4H15	24	130 - 41	AZ19845	4C3	6	120 - 23
AR67942	1C2	4	20 - 21	AZ10044	4G2	14	130 - 5	AZ19845	4D14	6	120 - 59
AR67942	1C3	4	20 - 22	AZ10044	4G12	30	130 - 13	AZ19845	4H15	17	130 - 41
AR67942	1C4	14	20 - 22A	AZ10044	4G18	31	130 - 19	AZ19963	1D8	7	20 - 51
AR68999	2H24	25	70 - 45	AZ10044	4G20	5	130 - 21	AZ19965	1D8	1	20 - 51
AR72036	1C20	1	20 - 38	AZ10044	4H9	27	130 - 35	AZ19970	1D12	10	20 - 55
AR72036	4I19	1	150 - 3	AZ10045	4D6	30	120 - 51	AZ19970	3F6	18	90 - 99
AR73978	1B17	2	20 - 13	AZ10045	4E2	16	120 - 71	AZ20003	2F11	15	60 - 33
AR74368	1C12	3	20 - 29	AZ10045	4E4	16	120 - 73	AZ20003	2F11	19	60 - 33
AR76241	1B17	2	20 - 13	AZ10045	4G14	23	130 - 15	AZ20003	2F11	21	60 - 33
AR76704	1E10	20	30 - 14	AZ10045	4H15	11	130 - 41	AZ20003	2F11	22	60 - 33
AR76704	1E10	21	30 - 14	AZ10045	4H17	1	130 - 43	AZ20003	2F11	23	60 - 33
AR78293	1E10	4	30 - 14	AZ10045	4H21	2	130 - 47	AZ20003	2F11	24	60 - 33
AR78294	1E10	5	30 - 14	AZ10045	4I2	10	130 - 53	AZ20003	2F13	1	60 - 35
AR78295	1E10	6	30 - 14	AZ10045	4I4	9	130 - 55	AZ20029	1D8	4	20 - 51
AR78296	1E10	7	30 - 14	AZ10045	4I10	12	130 - 61	AZ20030	1D12	13	20 - 55
AR84732	1E4	13	30 - 8	AZ10470	2I19	6	80 - 9	AZ20030	3E18	2	90 - 85
AR84958	1B16	1	20 - 12	AZ10984	3C6	43	90 - 25	AZ20030	3F6	15	90 - 99
AR89484	1E10	1	30 - 14	AZ12018	2K13	2	80 - 50	AZ20599	1E17	5	30 - 23
AR89563	1E11	1	30 - 15	AZ12215	4C9	11	120 - 29	AZ20825	2D12	4	50 - 55
AR89564	1E11	1	30 - 15	AZ12801	2K14	3	80 - 51	AZ21028	2E21	14	60 - 17
AR91660	1B22	4	20 - 17	AZ12802	2K14	1	80 - 51	AZ21032	1E21	27	30 - 27
AR91660	1B23	3	20 - 17A	AZ12826	4H23	13	130 - 49	AZ21124	4F10	14	120 - 99
AR94522	2H12	4	70 - 33	AZ12882	4H25	19	130 - 51	AZ21204	2D16	26	50 - 59
AR94522	2I4	16	70 - 51	AZ13117	1D8	13	20 - 51	AZ21433	3G22	16	110 - 33
AR95932	1C2	2	20 - 21	AZ13117	4F12	27	120 - 101	AZ21454	1D8	20	20 - 51
AR95932	1C3	2	20 - 22	AZ13745	2I15	7	80 - 5	AZ21465	3C10	29	90 - 29
AR95969	3D19	5	90 - 62	AZ13818	4D21	5	120 - 67	AZ21471	2D16	10	50 - 59
AR97712	1C19	1	20 - 37	AZ13818	4D23	4	120 - 67B	AZ21631	4C13	17	120 - 33
AT12111	2H21	3	70 - 42	AZ16228	2H18	4	70 - 39	AZ21972	2H16	19	70 - 37
AT125596	3E10	9	90 - 77	AZ16786	2D20	4	50 - 63	AZ21973	2H14	16	70 - 35
AT125596	3F4	9	90 - 97	AZ17305	4G18	36	130 - 19	AZ21990	4C17	13	120 - 37
AT130068	2H6	20	70 - 27	AZ17704	4D2	6	120 - 47	AZ22047	1D8	33	20 - 51
AT130104	1I12	3	40 - 73	AZ17705	4D2	5	120 - 47	AZ22493	2I23	6	80 - 11
AT13740	1B9	14	20 - 5	AZ17792	4D2	27	120 - 47	AZ22524	2G23	8	70 - 19
AT14264	2K16	1	80 - 53	AZ17996	2G15	7	70 - 11	AZ22524	2H4	27	70 - 25
AT14927	2K16	2	80 - 53	AZ17996	2G17	3	70 - 13	AZ22670	3C6	30	90 - 25
AT18904	1E3	16	30 - 7	AZ18547	3C10	36	90 - 29	AZ22695	1G25	14	40 - 37
AT21191	1B13	4	20 - 9	AZ18656	3F16	17	110 - 3	AZ22695	2E25	1	60 - 21
AT21191	1B13	6	20 - 9	AZ18659	3G4	6	110 - 15	AZ22696	4F14	3	120 - 103
AT22562	1C2	6	20 - 21	AZ18674	3F19	10	110 - 7	AZ22698	4F12	17	120 - 101
AT22562	1C8	11	20 - 25	AZ18786	3G4	6	110 - 15	AZ22699	4F12	21	120 - 101
AT22562	1C10	11	20 - 27	AZ19023	2D18	32	50 - 61	AZ22707	2J10	1	80 - 23
AT22919	1B13	4	20 - 9	AZ19135	3G22	6	110 - 33	AZ22728	4C13	1	120 - 33
AT22919	1B13	7	20 - 9	AZ19136	3G22	12	110 - 33	AZ22733	1E19	4	30 - 25
AT23141	1B11	2	20 - 7	AZ19242	4C23	10	120 - 43	AZ22788	4D2	7	120 - 47
AT23467	1H4	3	40 - 41	AZ19427	3F23	5	110 - 11	AZ22801	4C23	7	120 - 43
AT23709	2G23	6	70 - 19	AZ19427	4H15	23	130 - 41	AZ22845	2H2	18	70 - 23
AT24252	1B22	11	20 - 17	AZ19432	4B15	3	120 - 9	AZ22870	2G19	4	70 - 15
AT24252	1B23	10	20 - 17A	AZ19432	4C3	8	120 - 23	AZ22878	2G7	1	70 - 3
AT25266	1E14	3	30 - 19	AZ19814	4C7	11	120 - 27	AZ22911	2C20	3	50 - 39
AT26340	2K16	1	80 - 53	AZ19843	4F12	34	120 - 101	AZ23070	1D12	6	20 - 55
AT32239	1E19	2	30 - 25	AZ19843	4F14	12	120 - 103	AZ23073	1C15	7	20 - 32
AT32332	2H8	10	70 - 29	AZ19843	4G2	6	130 - 5	AZ23076	2C18	9	50 - 37

1L5

4435 AND 4435 HYDRO COMBINES

NUMERICAL INDEX - CONTINUED

PART NO.	GRID	KEY	PAGE	PART NO.	GRID	KEY	PAGE	PART NO.	GRID	KEY	PAGE
AZ23101	2I17	7	80 - 7	AZ26403	2G23	1	70 - 19	AZ30066	2K4	10	80 - 41
AZ23107	1I24	18	40 - 83	AZ26403	2I4	7	70 - 51	AZ30074	2J24	5	80 - 37
AZ23181	4F24	1	130 - 3	AZ26403	2I6	7	70 - 53	AZ30076	2K4	17	80 - 41
AZ23184	4C25	6	120 - 45	AZ26413	4B23	20	120 - 17	AZ30083	3B11	3	90 - 5
AZ23244	4G18	1	130 - 19	AZ26541	2K6	16	80 - 43	AZ30086	3B13	3	90 - 7
AZ23251	2J14	2	80 - 27	AZ26660	2H2	19	70 - 23	AZ30088	3B11	1	90 - 5
AZ23252	2J14	1	80 - 27	AZ26689	2I13	27	80 - 3	AZ30096	2H24	6	70 - 45
AZ23253	2J14	7	80 - 27	AZ26782	3G24	2	110 - 35	AZ30166	3B13	1	90 - 7
AZ23253	2K10	9	80 - 47	AZ26878	3G4	1	110 - 15	AZ30188	3C2	26	90 - 21
AZ23253	3B15	3	90 - 10	AZ26995	1G2	13	40 - 15	AZ30192	3C2	19	90 - 21
AZ23315	3G14	4	110 - 25	AZ26995	1G10	7	40 - 21	AZ30194	2J24	28	80 - 37
AZ23315	3G18	3	110 - 29	AZ26995	1G25	15	40 - 37	AZ30196	2J24	16	80 - 37
AZ23408	4C7	2	120 - 27	AZ26995	1H14	18	40 - 51	AZ30261	4H23	2	130 - 49
AZ23514	4B12	26	120 - 5	AZ26995	1I10	2	40 - 71	AZ30292	2G11	..	70 - 7
AZ23535	4C23	6	120 - 43	AZ27210	2C20	1	50 - 39	AZ30368	3C13	2	90 - 33
AZ23538	4C23	6	120 - 43	AZ27268	4C1	4	120 - 20	AZ30368	3C15	14	90 - 33B
AZ23541	4C23	6	120 - 43	AZ27269	4C1	9	120 - 20	AZ30369	3C13	1	90 - 33
AZ23543	4C23	6	120 - 43	AZ27684	4D4	20	120 - 49	AZ30369	3C15	4	90 - 33B
AZ23605	2J8	7	80 - 21	AZ27684	4D6	40	120 - 51	AZ30371	3C13	3	90 - 33
AZ23653	1F6	2	30 - 37	AZ27727	4G8	7	130 - 9	AZ30371	3C15	17	90 - 33B
AZ23692	2J18	10	80 - 31	AZ27727	4G16	10	130 - 17	AZ30372	3C13	4	90 - 33
AZ23700	2H10	3	70 - 31	AZ27728	4G8	9	130 - 9	AZ30372	3C15	18	90 - 33B
AZ23738	2J10	3	80 - 23	AZ27728	4G16	9	130 - 17	AZ30415	3B15	1	90 - 10
AZ23756	4B10	1	120 - 3	AZ27913	4I4	30	130 - 55	AZ30416	3B15	2	90 - 10
AZ23757	4B10	1	120 - 3	AZ27955	2C14	13	50 - 33	AZ30424	3C2	24	90 - 21
AZ23759	4B10	5	120 - 3	AZ28032	4G8	12	130 - 9	AZ30428	3B24	3	90 - 19
AZ23760	4B10	4	120 - 3	AZ28032	4G16	11	130 - 17	AZ30429	3C21	4	90 - 40
AZ23810	4H9	7	130 - 35	AZ28053	2H14	1	70 - 35	AZ30430	2K8	23	80 - 45
AZ23828	2G7	4	70 - 3	AZ28054	2H14	2	70 - 35	AZ30436	3C21	5	90 - 40
AZ23842	2G19	5	70 - 15	AZ28055	2H14	3	70 - 35	AZ30437	3C21	1	90 - 40
AZ23843	1E21	4	30 - 27	AZ28057	2H16	1	70 - 37	AZ30453	1H17	2	40 - 54
AZ23852	3C20	8	90 - 39	AZ28058	2H16	2	70 - 37	AZ30454	3B13	4	90 - 7
AZ23854	3C6	24	90 - 25	AZ28363	3G22	33	110 - 33	AZ30477	2J24	25	80 - 37
AZ23854	3C8	15	90 - 27	AZ28518	2C14	6	50 - 33	AZ30483	2K6	5	80 - 43
AZ23926	2E23	2	60 - 19	AZ28521	2C4	1	50 - 23	AZ30484	2K6	15	80 - 43
AZ23927	2E23	1	60 - 19	AZ28521	3C15	12	90 - 33B	AZ30555	2K2	10	80 - 39
AZ23939	2F17	13	60 - 39	AZ28527	2C14	19	50 - 33	AZ30649	2J24	13	80 - 37
AZ23940	2F17	15	60 - 39	AZ28775	2E14	16	60 - 9	AZ30757	1E17	4	30 - 23
AZ23967	2F19	15	60 - 41	AZ28797	2J6	23	80 - 19	AZ30758	1E17	2	30 - 23
AZ23970	2H14	7	70 - 35	AZ28814	3G8	7	110 - 19	AZ30764	1E17	11	30 - 23
AZ24156	2G15	..	70 - 11	AZ28814	4J6	2	150 - 15	AZ30768	1E19	8	30 - 25
AZ24221	2D24	8	50 - 67	AZ28883	2E19	1	60 - 15	AZ30820	1E17	6	30 - 23
AZ24222	2D24	8	50 - 67	AZ28884	2E19	2	60 - 15	AZ30890	4I15	9	130 - 66
AZ24263	3E24	24	90 - 91	AZ29039	3G22	24	110 - 33	AZ30928	3D2	6	90 - 45
AZ24546	1E21	8	30 - 27	AZ29040	3G22	30	110 - 33	AZ30929	3D2	8	90 - 45
AZ24904	4D25	11	120 - 69	AZ29185	3G22	22	110 - 33	AZ30941	3C24	4	90 - 43
AZ24935	3C17	2	90 - 35	AZ29185	4F6	18	120 - 95	AZ30942	3D6	15	90 - 49
AZ24935	3C19	6	90 - 37	AZ29238	4C23	1	120 - 43	AZ30943	3D6	19	90 - 49
AZ25027	2H24	4	70 - 45	AZ29728	2I14	1	80 - 4	AZ30947	3D4	9	90 - 47
AZ25154	2F11	12	60 - 33	AZ29729	2I14	2	80 - 4	AZ30978	4H9	15	130 - 35
AZ25390	4D25	1	120 - 69	AZ29801	3C6	23	90 - 25	AZ31005	3C10	1	90 - 29
AZ25433	4C23	6	120 - 43	AZ29806	2J14	26	80 - 27	AZ31008	3B24	1	90 - 19
AZ25479	3G8	17	110 - 19	AZ29807	2J14	3	80 - 27	AZ31014	3B22	1	90 - 17
AZ25484	2H4	16	70 - 25	AZ29888	3C10	10	90 - 29	AZ31015	3B20	12	90 - 15
AZ25669	1F18	40	40 - 5	AZ29898	2H8	7	70 - 29	AZ31016	3B18	4	90 - 13
AZ25679	4B19	18	120 - 13	AZ29900	2H8	2	70 - 29	AZ31017	3B22	18	90 - 17
AZ25685	4H9	1	130 - 35	AZ29901	2H8	11	70 - 29	AZ31019	3B22	33	90 - 17
AZ25875	2D16	20	50 - 59	AZ29904	2E2	1	50 - 69	AZ31020	3B22	39	90 - 17
AZ25904	1E21	1	30 - 27	AZ29936	2K8	4	80 - 45	AZ31021	3B22	36	90 - 17
AZ25927	3G4	5	110 - 15	AZ29942	2K8	1	80 - 45	AZ31022	3B18	7	90 - 13
AZ25987	2G11	5	70 - 7	AZ29948	4G4	3	130 - 7	AZ31024	3B20	17	90 - 15
AZ26082	4H11	23	130 - 37	AZ29955	3C6	19	90 - 25	AZ31025	3B20	1	90 - 15
AZ26097	1E19	7	30 - 25	AZ29964	4H2	4	130 - 27	AZ31027	3B18	22	90 - 13
AZ26176	3C20	15	90 - 39	AZ29965	4H2	1	130 - 27	AZ31101	3C4	3	90 - 23
AZ26295	3G4	20	110 - 15	AZ29982	4G24	5	130 - 25	AZ31109	1J12	26	40 - 95
AZ26332	1E15	1	30 - 21	AZ29991	3C24	8	90 - 43	AZ31110	1J12	18	40 - 95
AZ26402	2C12	12	50 - 31	AZ30064	2K4	8	80 - 41	AZ31118	3C11	3	90 - 30

1L6

4435 AND 4435 HYDRO COMBINES

NUMERICAL INDEX - CONTINUED

PART NO.	GRID	KEY	PAGE	PART NO.	GRID	KEY	PAGE	PART NO.	GRID	KEY	PAGE
AZ31142	3E24	5	90 - 91	AZ34079	3F16	10	110 - 3	AZ35129	3C4	1	90 - 23
AZ31142	3E25	5	90 - 92	AZ34181	2E3	1	50 - 70	AZ35139	2D20	12	50 - 63
AZ31146	4G6	24	130 - 7B	AZ34226	3G6	7	110 - 17	AZ35220	4C13	8	120 - 33
AZ31217	4E2	2	120 - 71	AZ34227	3G6	8	110 - 17	AZ35224	2H8	3	70 - 29
AZ31217	4E4	2	120 - 73	AZ34228	3G6	13	110 - 17	AZ35229	4F6	7	120 - 95
AZ31280	3B22	15	90 - 17	AZ34229	3G6	10	110 - 17	AZ35232	4F8	8	120 - 97
AZ31281	3B20	2	90 - 15	AZ34230	3G6	9	110 - 17	AZ35254	4F8	9	120 - 97
AZ31301	2F15	1	60 - 37	AZ34231	3G6	12	110 - 17	AZ35256	4F6	21	120 - 95
AZ31487	1D18	2	20 - 61	AZ34238	4G8	12	130 - 9	AZ35261	2D12	2	50 - 55
AZ31512	4H9	2	130 - 35	AZ34238	3G6	2	110 - 17	AZ35262	2F17	1	60 - 39
AZ31533	3E22	13	90 - 89	AZ34238	4J2	5	150 - 11	AZ35265	2F17	2	60 - 39
AZ31534	3E22	1	90 - 89	AZ34239	3G6	3	110 - 17	AZ35302	1E17	17	30 - 23
AZ31543	3B13	17	90 - 7	AZ34239	4J2	5	150 - 11	AZ35322	3G18	7	110 - 29
AZ31544	3B11	3	90 - 5	AZ34253	3G6	1	110 - 17	AZ35323	4B14	5	120 - 7
AZ31601	3B20	21	90 - 15	AZ34253	4J2	5	150 - 11	AZ35324	4B14	6	120 - 7
AZ31602	3B20	22	90 - 15	AZ34272	2I7	1	70 - 54	AZ35341	2I6	8	70 - 53
AZ31603	3B20	20	90 - 15	AZ34285	3G10	20	110 - 21	AZ35342	2I6	9	70 - 53
AZ31666	2H18	11	70 - 39	AZ34287	3C8	5	90 - 27	AZ35356	3B11	8	90 - 5
AZ31666	4C5	9	120 - 25	AZ34288	3G12	14	110 - 23	AZ35358	3G22	27	110 - 33
AZ31674	2E17	2	60 - 12	AZ34290	3C6	2	90 - 25	AZ35366	3C4	8	90 - 23
AZ31944	1D16	3	20 - 59	AZ34292	1H24	15	40 - 61	AZ35385	4D4	1	120 - 49
AZ32087	4G12	18	130 - 13	AZ34327	3C8	14	90 - 27	AZ35392	3F21	1	110 - 9
AZ32087	4J2	2	150 - 11	AZ34358	1I24	26	40 - 83	AZ35393	3F21	1	110 - 9
AZ32127	2G13	9	70 - 9	AZ34393	4C3	1	120 - 23	AZ35403	4H25	1	130 - 51
AZ32226	4I10	7	130 - 61	AZ34412	1H24	19	40 - 61	AZ35409	4G6	14	130 - 7B
AZ32229	2H24	1	70 - 45	AZ34421	1H24	5	40 - 61	AZ35409	4G14	5	130 - 15
AZ32294	1E21	3	30 - 27	AZ34433	4B23	16	120 - 17	AZ35410	4G12	21	130 - 13
AZ32299	2I17	19	80 - 7	AZ34454	2C14	1	50 - 33	AZ35411	4G12	2	130 - 13
AZ32299	2I19	18	80 - 9	AZ34482	2H2	13	70 - 23	AZ35412	4G14	1	130 - 15
AZ32300	4H25	20	130 - 51	AZ34493	2K8	14	80 - 45	AZ35422	2D14	42	50 - 57
AZ32301	4H25	17	130 - 51	AZ34511	2K13	4	80 - 50	AZ35423	2D14	32	50 - 57
AZ32301	4J4	1	150 - 13	AZ34512	1E24	10	30 - 31	AZ35437	3C20	4	90 - 39
AZ32304	4H25	29	130 - 51	AZ34513	1E24	1	30 - 31	AZ35439	1I12	9	40 - 73
AZ32304	4J4	2	150 - 13	AZ34554	1E24	7	30 - 31	AZ35441	1F24	2	40 - 11
AZ32375	3C2	12	90 - 21	AZ34555	1E24	23	30 - 31	AZ35442	1E24	8	30 - 31
AZ32393	1I8	9	40 - 69	AZ34556	1F4	1	30 - 35	AZ35443	1F2	1	30 - 33
AZ32397	1I8	12	40 - 69	AZ34569	2D14	35	50 - 57	AZ35449	3G24	8	110 - 35
AZ32504	4D4	3	120 - 49	AZ34614	2J24	20	80 - 37	AZ35450	3G24	11	110 - 35
AZ32667	2E17	2	60 - 12	AZ34627	1F24	3	40 - 11	AZ35456	4B17	10	120 - 11
AZ32696	2E2	2	50 - 69	AZ34637	2D14	8	50 - 57	AZ35474	1H4	11	40 - 41
AZ32732	2H20	1	70 - 41	AZ34638	2D14	29	50 - 57	AZ35541	4B25	31	120 - 19
AZ32733	2H20	2	70 - 41	AZ34643	2D14	38	50 - 57	AZ35559	4B15	1	120 - 9
AZ32741	1G10	3	40 - 21	AZ34646	3C10	2	90 - 29	AZ35559	4C3	7	120 - 23
AZ32741	1I10	3	40 - 71	AZ34650	3C2	16	90 - 21	AZ35560	1F16	1	40 - 3
AZ32875	4D4	27	120 - 49	AZ34886	2K13	1	80 - 50	AZ35564	4G20	10	130 - 21
AZ32937	1H20	36	40 - 57	AZ34924	1H24	16	40 - 61	AZ35564	4G20	11	130 - 21
AZ33163	3B18	1	90 - 13	AZ34926	1H24	17	40 - 61	AZ35564	4G20	12	130 - 21
AZ33166	3D2	15	90 - 45	AZ34930	1F24	13	40 - 11	AZ35565	4G18	16	130 - 19
AZ33189	3B11	9	90 - 5	AZ34934	1F25	1	40 - 12	AZ35566	4G18	26	130 - 19
AZ33202	1G10	4	40 - 21	AZ34940	1I12	1	40 - 73	AZ35566	4J2	4	150 - 11
AZ33429	1I2	7	40 - 63	AZ34954	1H20	37	40 - 57	AZ35568	4G20	9	130 - 21
AZ33504	2G15	2	70 - 11	AZ34956	1H20	39	40 - 57	AZ35571	3C2	11	90 - 21
AZ33505	2G17	6	70 - 13	AZ34972	1G13	1	40 - 25	AZ35585	2D2	18	50 - 45
AZ33511	3E20	13	90 - 87	AZ34974	1I2	1	40 - 63	AZ35586	2D2	11	50 - 45
AZ33557	2I17	1	80 - 7	AZ34990	2D8	2	50 - 51	AZ35589	2D10	21	50 - 53
AZ33558	2I19	1	80 - 9	AZ35009	1I16	1	40 - 75	AZ35611	4G22	3	130 - 23
AZ33602	3G16	2	110 - 27	AZ35010	1H5	2	40 - 42	AZ35621	2E10	5	60 - 5
AZ33861	2K8	24	80 - 45	AZ35028	1H22	4	40 - 59	AZ35622	2E10	2	60 - 5
AZ33901	2F15	2	60 - 37	AZ35029	1G8	17	40 - 19	AZ35624	2E12	1	60 - 7
AZ33958	3F8	15	90 - 101	AZ35045	4H4	7	130 - 29	AZ35640	4D19	15	120 - 65
AZ33959	3E20	25	90 - 87	AZ35052	1F6	7	30 - 37	AZ35644	2E14	3	60 - 9
AZ33960	3F6	5	90 - 99	AZ35054	1F6	11	30 - 37	AZ35676	2E8	1	60 - 3
AZ33962	3E20	28	90 - 87	AZ35055	3C2	18	90 - 21	AZ35679	2E12	10	60 - 7
AZ33974	3G12	1	110 - 23	AZ35056	1F6	14	30 - 37	AZ35683	4G6	6	130 - 7B
AZ34002	3F4	1	90 - 97	AZ35058	4H6	9	130 - 31	AZ35685	4G14	25	130 - 15
AZ34048	4B17	12	120 - 11	AZ35064	3B13	12	90 - 7	AZ35689	1D16	8	20 - 59
AZ34057	2I13	23	80 - 3	AZ35094	4D2	1	120 - 47	AZ35783	4B25	13	120 - 19

1L7

4435 AND 4435 HYDRO COMBINES

NUMERICAL INDEX - CONTINUED

PART NO.	GRID	KEY	PAGE	PART NO.	GRID	KEY	PAGE	PART NO.	GRID	KEY	PAGE
AZ35807	2F1	1	60 - 22	AZ36714	2D4	1	50 - 47	AZ37480	1H16	5	40 - 53
AZ35844	2E16	1	60 - 11	AZ36716	2D5	2	50 - 48	AZ37481	1H16	6	40 - 53
AZ35845	2E16	2	60 - 11	AZ36717	2D5	3	50 - 48	AZ37482	4G6	23	130 - 7B
AZ35846	2E16	3	60 - 11	AZ36718	2D5	4	50 - 48	AZ37483	4G4	2	130 - 7
AZ35849	3E24	30	90 - 91	AZ36744	2D16	2	50 - 59	AZ37511	2H8	1	70 - 29
AZ35850	3E18	10	90 - 85	AZ36748	2F7	6	60 - 29	AZ37525	2H8	1	70 - 29
AZ35851	1G6	3	40 - 17B	AZ36749	1E15	3	30 - 21	AZ37539	3D21	5	90 - 65
AZ35852	3F4	15	90 - 97	AZ36750	1E17	29	30 - 23	AZ37589	2C12	13	50 - 31
AZ35854	3F2	5	90 - 95	AZ36764	2I19	5	80 - 9	AZ37590	2D5	1	50 - 48
AZ35855	3F2	4	90 - 95	AZ36773	1E19	11	30 - 25	AZ37621	2K12	2	80 - 49
AZ35856	3E18	1	90 - 85	AZ36807	3B9	1	90 - 3	AZ37622	1I4	5	40 - 65
AZ35876	1G25	7	40 - 37	AZ36808	3D12	4	90 - 55	AZ37622	2K12	12	80 - 49
AZ35964	2D14	1	50 - 57	AZ36810	3D12	4	90 - 55	AZ37622	4E20	4	120 - 89
AZ36007	4B12	15	120 - 5	AZ36829	2J12	2	80 - 25	AZ37623	2K12	11	80 - 49
AZ36008	4B12	8	120 - 5	AZ36835	4I15	2	130 - 66	AZ37625	2K12	13	80 - 49
AZ36014	4B12	13	120 - 5	AZ36836	4I12	7	130 - 63	AZ37630	2D8	13	50 - 51
AZ36016	4B12	18	120 - 5	AZ36837	4I10	11	130 - 61	AZ37631	2D8	16	50 - 51
AZ36018	4B12	1	120 - 5	AZ36859	3D14	13	90 - 57	AZ37641	2D8	17	50 - 51
AZ36026	4I4	31	130 - 55	AZ36867	4F6	15	120 - 95	AZ37714	2D4	12	50 - 47
AZ36027	4H15	19	130 - 41	AZ36942	2C18	10	50 - 37	AZ37720	2D4	10	50 - 47
AZ36030	4H17	11	130 - 43	AZ36943	2C18	1	50 - 37	AZ37724	3E8	7	90 - 75
AZ36031	4I12	8	130 - 63	AZ36950	4D16	22	120 - 61	AZ37727	3D2	27	90 - 45
AZ36031	4J6	3	150 - 15	AZ36951	4D14	22	120 - 59	AZ37729	3D23	19	90 - 67
AZ36036	4I2	6	130 - 53	AZ36952	2K10	1	80 - 47	AZ37729	3D25	19	90 - 67B
AZ36043	2F7	15	60 - 29	AZ36956	4D6	32	120 - 51	AZ37730	3D6	3	90 - 49
AZ36044	2F7	41	60 - 29	AZ36957	4D6	18	120 - 51	AZ37739	3D16	15	90 - 59
AZ36045	2F7	21	60 - 29	AZ36959	2K10	3	80 - 47	AZ37746	4H2	3	130 - 27
AZ36150	1J6	2	40 - 89	AZ36960	4D6	14	120 - 51	AZ37748	4H2	2	130 - 27
AZ36150	1J8	18	40 - 91	AZ36966	2I4	6	70 - 51	AZ37749	1I4	2	40 - 65
AZ36162	1J6	6	40 - 89	AZ36966	2I6	6	70 - 53	AZ37753	1I24	13	40 - 83
AZ36163	1J6	7	40 - 89	AZ36996	3C17	5	90 - 35	AZ37770	2J18	13	80 - 31
AZ36170	2F9	12	60 - 31	AZ37003	1D16	1	20 - 59	AZ37793	1G8	7	40 - 19
AZ36218	3G18	4	110 - 29	AZ37027	2H18	1	70 - 39	AZ37794	1G8	5	40 - 19
AZ36218	4J5	2	150 - 14	AZ37036	2F19	1	60 - 41	AZ37807	2C20	11	50 - 39
AZ36245	4E4	1	120 - 73	AZ37086	1I24	25	40 - 83	AZ37807	4I23	1	150 - 7
AZ36253	1J6	1	40 - 89	AZ37087	1H14	31	40 - 51	AZ37813	4I10	8	130 - 61
AZ36274	4H6	13	130 - 31	AZ37147	1F16	9	40 - 3	AZ37814	2H7	4	70 - 28
AZ36289	3E14	2	90 - 81	AZ37163	2F19	6	60 - 41	AZ37820	1G4	3	40 - 17
AZ36290	3E14	1	90 - 81	AZ37164	2F19	7	60 - 41	AZ37822	3D21	2	90 - 65
AZ36312	4C11	2	120 - 31	AZ37184	4D10	15	120 - 55	AZ37844	2F21	11	60 - 43
AZ36313	4C11	3	120 - 31	AZ37199	2J22	6	80 - 35	AZ37849	2H8	4	70 - 29
AZ36314	4H13	2	130 - 39	AZ37201	2E3	1	50 - 70	AZ37858	3D4	25	90 - 47
AZ36315	4C9	1	120 - 29	AZ37246	2E12	9	60 - 7	AZ37862	2K8	8	80 - 45
AZ36331	1H20	33	40 - 57	AZ37254	2E8	16	60 - 3	AZ37882	1H16	1	40 - 53
AZ36331	1I22	2	40 - 81	AZ37265	3C15	1	90 - 33B	AZ37888	1D14	1	20 - 57
AZ36332	1H20	34	40 - 57	AZ37284	4D19	10	120 - 65	AZ37908	4I15	13	130 - 66
AZ36332	1I22	3	40 - 81	AZ37285	4D2	26	120 - 47	AZ37912	4I14	1	130 - 65
AZ36333	1G10	10	40 - 21	AZ37286	4D19	4	120 - 65	AZ37917	4C17	4	120 - 37
AZ36335	1G13	2	40 - 25	AZ37287	1H14	6	40 - 51	AZ37936	2I15	5	80 - 5
AZ36335	1H10	1	40 - 47	AZ37288	4I10	4	130 - 61	AZ37946	2J4	17	80 - 17
AZ36339	1H20	11	40 - 57	AZ37324	1G21	9	40 - 33	AZ37977	4E16	1	120 - 85
AZ36340	1H20	14	40 - 57	AZ37350	3E8	2	90 - 75	AZ37986	4E8	7	120 - 77
AZ36344	1H20	12	40 - 57	AZ37352	3E15	1	90 - 82	AZ37989	4E12	11	120 - 81
AZ36356	1H20	43	40 - 57	AZ37353	3E12	5	90 - 79	AZ37995	4E24	18	120 - 93
AZ36449	1H12	7	40 - 49	AZ37354	3E12	4	90 - 79	AZ38001	4E10	1	120 - 79
AZ36449	1H14	1	40 - 51	AZ37355	3E10	15	90 - 77	AZ38004	4E10	12	120 - 79
AZ36461	2D8	10	50 - 51	AZ37356	3E10	1	90 - 77	AZ38007	4E20	5	120 - 89
AZ36549	2G13	13	70 - 9	AZ37357	3E16	6	90 - 83	AZ38008	4E20	3	120 - 89
AZ36551	2F17	16	60 - 39	AZ37358	1D16	2	20 - 59	AZ38009	4E12	7	120 - 81
AZ36552	2F17	14	60 - 39	AZ37360	1D8	18	20 - 51	AZ38026	1I6	2	40 - 67
AZ36553	2G9	11	70 - 5	AZ37362	1D8	22	20 - 51	AZ38027	1I6	3	40 - 67
AZ36554	2G7	2	70 - 3	AZ37363	1D6	1	20 - 49	AZ38030	4F14	1	120 - 103
AZ36555	2G11	1	70 - 7	AZ37367	4B25	33	120 - 19	AZ38039	4F10	5	120 - 99
AZ36557	2F7	2	60 - 29	AZ37470	3B18	9	90 - 13	AZ38055	4E12	10	120 - 81
AZ36655	2I4	1	70 - 51	AZ37476	1H20	17	40 - 57	AZ38057	4E12	2	120 - 81
AZ36685	2D4	17	50 - 47	AZ37476	1I8	17	40 - 69	AZ38058	4E14	6	120 - 83
AZ36708	2D8	7	50 - 51	AZ37477	1I8	11	40 - 69	AZ38060	1I6	1	40 - 67

1L8

4435 AND 4435 HYDRO COMBINES

NUMERICAL INDEX - CONTINUED

PART NO.	GRID	KEY	PAGE	PART NO.	GRID	KEY	PAGE	PART NO.	GRID	KEY	PAGE
AZ38064	2F3	2	60 - 25	AZ39106	2G25	2	70 - 21	AZ40479	2F3	19	60 - 25
AZ38064	2F3	10	60 - 25	AZ39107	2G21	9	70 - 17	AZ40481	2F5	4	60 - 27
AZ38064	2F3	11	60 - 25	AZ39108	2G25	4	70 - 21	AZ40553	2I4	3	70 - 51
AZ38064	2F3	12	60 - 25	AZ39109	2G21	14	70 - 17	AZ40554	2I4	8	70 - 51
AZ38064	2F3	13	60 - 25	AZ39109	2G25	5	70 - 21	AZ40556	2H12	1	70 - 33
AZ38065	1I22	5	40 - 81	AZ39112	2G21	3	70 - 17	AZ40610	2H2	1	70 - 23
AZ38076	3G4	7	110 - 15	AZ39113	2G21	7	70 - 17	AZ40612	2H2	2	70 - 23
AZ38085	3F19	1	110 - 7	AZ39114	2G21	4	70 - 17	AZ40635	1J8	21	40 - 91
AZ38097	2I19	14	80 - 9	AZ39115	2G21	5	70 - 17	AZ40636	1J8	23	40 - 91
AZ38097	2I21	6	80 - 9B	AZ39117	2D8	6	50 - 51	AZ40637	1J8	17	40 - 91
AZ38097	4H13	6	130 - 39	AZ39118	1G11	6	40 - 22	AZ40639	1J8	22	40 - 91
AZ38099	1H12	1	40 - 49	AZ39118	1G13	4	40 - 25	AZ40640	4C15	24	120 - 35
AZ38128	4C17	15	120 - 37	AZ39140	1G10	11	40 - 21	AZ40680	2K2	13	80 - 39
AZ38133	4C19	2	120 - 39	AZ39147	1G11	2	40 - 22	AZ40681	2K2	8	80 - 39
AZ38134	4C19	3	120 - 39	AZ39148	1G13	3	40 - 25	AZ40688	1J8	6	40 - 91
AZ38153	4G2	2	130 - 5	AZ39154	1I8	8	40 - 69	AZ40691	1J8	24	40 - 91
AZ38157	4G2	1	130 - 5	AZ39155	4B14	2	120 - 7	AZ40703	2K6	9	80 - 43
AZ38187	4G4	1	130 - 7	AZ39156	4B14	3	120 - 7	AZ40721	4C15	12	120 - 35
AZ38197	3F16	6	110 - 3	AZ39169	4G22	18	130 - 23	AZ40775	2I17	11	80 - 7
AZ38213	1I24	6	40 - 83	AZ39172	2I13	1	80 - 3	AZ40782	2I23	18	80 - 11
AZ38213	3D22	4	90 - 66	AZ39183	3F16	5	110 - 3	AZ40783	2H12	2	70 - 33
AZ38253	4H15	20	130 - 41	AZ39183	4B10	22	120 - 3	AZ40790	4G6	13	130 - 7B
AZ38256	4H11	8	130 - 37	AZ39195	2D14	27	50 - 57	AZ40790	4G14	32	130 - 15
AZ38257	4H15	6	130 - 41	AZ39199	4C1	6	120 - 20	AZ40802	1H12	2	40 - 49
AZ38262	4C21	16	120 - 41	AZ40007	2F21	8	60 - 43	AZ40803	1H8	2	40 - 45
AZ38285	4C19	1	120 - 39	AZ40008	2F21	9	60 - 43	AZ40803	1H10	12	40 - 47
AZ38288	4C21	19	120 - 41	AZ40009	2F11	25	60 - 33	AZ40804	1H10	2	40 - 47
AZ38292	2H16	9	70 - 37	AZ40009	2F11	26	60 - 33	AZ40853	2J4	30	80 - 17
AZ38293	2H7	1	70 - 28	AZ40009	2F11	27	60 - 33	AZ40854	2J4	29	80 - 17
AZ38304	4G18	10	130 - 19	AZ40009	2F11	28	60 - 33	AZ40855	2J4	22	80 - 17
AZ38305	4G18	7	130 - 19	AZ40009	2F15	4	60 - 37	AZ40856	2J4	15	80 - 17
AZ38320	3D12	5	90 - 55	AZ40021	1G23	2	40 - 35	AZ40857	2J4	15	80 - 17
AZ38323	1G17	4	40 - 29	AZ40069	2K2	2	80 - 39	AZ40858	2J4	16	80 - 17
AZ38330	4C21	11	120 - 41	AZ40070	2J24	1	80 - 37	AZ40859	2J4	16	80 - 17
AZ38354	2G25	1	70 - 21	AZ40080	4D21	6	120 - 67	AZ40974	4C19	1	120 - 39
AZ38355	2G21	1	70 - 17	AZ40082	2F1	..	60 - 22	AZ40976	4C21	18	120 - 41
AZ38356	2G21	2	70 - 17	AZ40084	3C15	16	90 - 33B	AZ41040	4C15	14	120 - 35
AZ38363	3C24	5	90 - 43	AZ40086	1G18	7	40 - 30	AZ41050	4E24	2	120 - 93
AZ38364	2F7	1	60 - 29	AZ40086	1H16	10	40 - 53	AZ41079	4G8	1	130 - 9
AZ38376	4D21	8	120 - 67	AZ40087	1H2	11	40 - 39	AZ41079	4J2	1	150 - 11
AZ38376	4D23	8	120 - 67B	AZ40087	1H6	2	40 - 43	AZ41083	4G16	1	130 - 17
AZ38382	2H2	17	70 - 23	AZ40087	1H16	7	40 - 53	AZ41083	4J2	3	150 - 11
AZ38386	2H4	15	70 - 25	AZ40089	4H19	24	130 - 45	AZ41089	4G8	10	130 - 9
AZ38389	2H2	3	70 - 23	AZ40090	4H19	13	130 - 45	AZ41089	4G16	7	130 - 17
AZ38390	2H10	5	70 - 31	AZ40106	4G24	1	130 - 25	AZ41093	2J8	1	80 - 21
AZ38427	1J4	4	40 - 87	AZ40133	2G21	6	70 - 17	AZ41094	2J2	1	80 - 15
AZ38428	3D2	18	90 - 45	AZ40152	1I16	18	40 - 75	AZ41095	4H11	27	130 - 37
AZ38430	3D6	1	90 - 49	AZ40236	4E12	4	120 - 81	AZ41194	2G21	15	70 - 17
AZ38445	3D19	1	90 - 62	AZ40250	3C19	17	90 - 37	AZ41200	4C21	17	120 - 41
AZ38462	1F20	1	40 - 7	AZ40253	3C19	2	90 - 37	AZ41201	4C23	5	120 - 43
AZ38468	2G9	1	70 - 5	AZ40306	4D16	26	120 - 61	AZ41205	1H20	13	40 - 57
AZ38485	4C21	9	120 - 41	AZ40307	4G10	21	130 - 11	AZ41206	1G10	12	40 - 21
AZ38491	2G15	1	70 - 11	AZ40308	4F16	7	120 - 105	AZ41208	1H14	7	40 - 51
AZ39022	1G17	7	40 - 29	AZ40317	2J6	10	80 - 19	AZ41209	1G15	1	40 - 27
AZ39037	2F21	1	60 - 43	AZ40321	2J6	6	80 - 19	AZ41210	1G19	9	40 - 31
AZ39039	2F19	2	60 - 41	AZ40322	4C25	4	120 - 45	AZ41210	1H17	1	40 - 54
AZ39040	2I23	21	80 - 11	AZ40323	2G7	12	70 - 3	AZ41211	1I24	1	40 - 83
AZ39043	1G25	12	40 - 37	AZ40324	2J6	22	80 - 19	AZ41212	1F24	10	40 - 11
AZ39058	1G13	5	40 - 25	AZ40325	1F24	11	40 - 11	AZ41212	1G21	1	40 - 33
AZ39069	1I20	2	40 - 79	AZ40333	3C13	13	90 - 33	AZ41212	1G23	1	40 - 35
AZ39070	1I20	10	40 - 79	AZ40345	2J8	4	80 - 21	AZ41212	1G25	1	40 - 37
AZ39071	1I20	1	40 - 79	AZ40347	2H18	12	70 - 39	AZ41212	1H4	1	40 - 41
AZ39102	2G21	..	70 - 17	AZ40348	2B20	3	50 - 14	AZ41212	1H14	8	40 - 51
AZ39102	2G25	..	70 - 21	AZ40349	2B20	4	50 - 14	AZ41213	1H8	1	40 - 45
AZ39103	2G21	11	70 - 17	AZ40355	4B25	2	120 - 19	AZ41214	2G13	17	70 - 9
AZ39104	2G21	10	70 - 17	AZ40411	2I23	26	80 - 11	AZ41214	3E8	21	90 - 75
AZ39105	2G25	3	70 - 21	AZ40412	2I23	22	80 - 11	AZ41329	1F22	1	40 - 9

1L9

4435 AND 4435 HYDRO COMBINES

NUMERICAL INDEX - CONTINUED

PART NO.	GRID	KEY	PAGE	PART NO.	GRID	KEY	PAGE	PART NO.	GRID	KEY	PAGE
AZ41329	1F24	1	40 - 11	AZ42157	4G4	4	130 - 7	AZ44168	2C8	12	50 - 27
AZ41346	1G10	2	40 - 21	AZ42175	4D6	5	120 - 51	AZ44184	4E24	18	120 - 93
AZ41388	2E14	9	60 - 9	AZ42175	4J4	3	150 - 13	AZ44184	4F2	4	120 - 93B
AZ41389	2E14	6	60 - 9	AZ42177	4E2	1	120 - 71	AZ44188	4E10	12	120 - 79
AZ41420	1G2	32	40 - 15	AZ42198	2B9	17	50 - 3	AZ44192	4F2	4	120 - 93B
AZ41429	3B18	10	90 - 13	AZ42198	2B20	1	50 - 14	AZ44311	4F4	2	120 - 93D
AZ41430	3B18	12	90 - 13	AZ42212	2B15	17	50 - 9	AZ44315	1G15	1	40 - 27
AZ41445	2C6	7	50 - 25	AZ42212	2C4	10	50 - 23	AZ44321	1F24	10	40 - 11
AZ41447	2C16	8	50 - 35	AZ42213	2B15	15	50 - 9	AZ44321	1G21	1	40 - 33
AZ41448	2C16	1	50 - 35	AZ42214	2B15	21	50 - 9	AZ44321	1G23	1	40 - 35
AZ41487	1110	1	40 - 71	AZ42215	2B15	12	50 - 9	AZ44321	1G25	1	40 - 37
AZ41840	2H4	3	70 - 25	AZ42216	2B15	20	50 - 9	AZ44321	1H4	1	40 - 41
AZ41843	2H4	13	70 - 25	AZ42247	4I8	6	130 - 59	AZ44321	1H14	8	40 - 51
AZ41844	2H4	10	70 - 25	AZ42254	2F3	1	60 - 25	AZ44326	1G15	4	40 - 27
AZ41922	1F22	1	40 - 9	AZ42254	2F3	19	60 - 25	AZ44326	1116	20	40 - 75
AZ41922	1F24	1	40 - 11	AZ42286	3D25	5	90 - 67B	AZ44327	1G15	5	40 - 27
AZ41927	1G19	4	40 - 31	AZ42287	3D25	3	90 - 67B	AZ44327	1116	21	40 - 75
AZ42005	1E19	8	30 - 25	AZ42295	2B15	10	50 - 9	AZ44328	1G15	5	40 - 27
AZ42006	1D16	30	20 - 59	AZ42299	1D6	1	20 - 49	AZ44328	1116	21	40 - 75
AZ42008	3B16	1	90 - 11	AZ42308	1D8	22	20 - 51	AZ44350	1F24	2	40 - 11
AZ42010	2H4	14	70 - 25	AZ42315	3B24	1	90 - 19	AZ44401	4F4	9	120 - 93D
AZ42012	2H2	16	70 - 23	AZ42322	2K12	13	80 - 49	AZ44404	4G4	4	130 - 7
AZ42031	2D12	3	50 - 55	AZ42325	2H8	4	70 - 29	AZ44416	4C17	13	120 - 37
AZ42034	1H20	21	40 - 57	AZ42326	2K12	14	80 - 49	AZ44416	4C17	15	120 - 37
AZ42036	1H2	1	40 - 39	AZ42331	2C8	4	50 - 27	AZ44446	4G24	1	130 - 25
AZ42037	4B14	1	120 - 7	AZ42333	2C8	12	50 - 27	AZ44461	4C17	12	120 - 37
AZ42040	4B14	23	120 - 7	AZ42344	2C8	11	50 - 27	AZ44461	4C17	15	120 - 37
AZ42042	2C4	11	50 - 23	AZ42361	2C6	3	50 - 25	AZ44493	3B11	3	90 - 5
AZ42043	2B22	..	50 - 17	AZ42362	2C6	..	50 - 25	AZ44566	3G2	4	110 - 13
AZ42044	2B7	1	50 - 1	AZ42380	4C15	7	120 - 35	AZ44580	4C17	15	120 - 37
AZ42047	4C15	7	120 - 35	AZ42386	2C12	7	50 - 31	AZ44718	1120	10	40 - 79
AZ42059	4F10	6	120 - 99	AZ42388	2C12	21	50 - 31	AZ44804	2117	14	80 - 7
AZ42070	2B22	1	50 - 17	AZ42390	2C16	9	50 - 35	AZ44804	2121	2	80 - 9B
AZ42071	2B22	4	50 - 17	AZ42393	1D18	2	20 - 61	AZ44805	2119	14	80 - 9
AZ42072	2B22	13	50 - 17	AZ42411	4G24	1	130 - 25	AZ44805	2121	1	80 - 9B
AZ42073	2B11	6	50 - 5	AZ42418	2119	6	80 - 9	AZ45169	1124	23	40 - 83
AZ42073	2B13	1	50 - 7	AZ42419	2J24	5	80 - 37	AZ45279	1F24	11	40 - 11
AZ42073	2B22	5	50 - 17	AZ42438	4C23	1	120 - 43	AZ45335	1110	1	40 - 71
AZ42074	2B22	15	50 - 17	AZ42449	4D23	8	120 - 67B	AZ45429	3F25	3	110 - 11B
AZ42075	2B13	5	50 - 7	AZ42486	2J6	6	80 - 19	AZ45431	2J24	20	80 - 37
AZ42075	2B24	1	50 - 19	AZ42489	4I2	6	130 - 53	AZ45456	1H16	6	40 - 53
AZ42076	2B13	9	50 - 7	AZ42495	2C2	10	50 - 21	AZ45457	1H16	5	40 - 53
AZ42076	2B24	5	50 - 19	AZ42497	2B15	10	50 - 9	AZ45466	1H16	13	40 - 53
AZ42077	2B13	10	50 - 7	AZ42853	1G19	9	40 - 31	AZ45480	3F23	11	110 - 11
AZ42077	2B24	6	50 - 19	AZ42853	1H17	1	40 - 54	AZ45480	3F25	..	110 - 11B
AZ42080	2C2	1	50 - 21	AZ42854	1F24	10	40 - 11	AZ45562	4D21	8	120 - 67
AZ42081	2C2	2	50 - 21	AZ42854	1G21	1	40 - 33	AZ45562	4D23	8	120 - 67B
AZ42082	2C2	8	50 - 21	AZ42854	1G23	1	40 - 35	AZ45586	4E5	1	120 - 74
AZ42082	2C2	10	50 - 21	AZ42854	1G25	1	40 - 37	AZ45591	3G22	1	110 - 33
AZ42084	2B9	7	50 - 3	AZ42854	1H4	1	40 - 41	AZ45591	3G22	20	110 - 33
AZ42084	2B17	3	50 - 11	AZ42854	1H5	1	40 - 42	AZ45591	3G22	36	110 - 33
AZ42084	2C2	6	50 - 21	AZ42854	1H14	8	40 - 51	AZ45594	3G22	1	110 - 33
AZ42085	2B13	3	50 - 7	AZ43050	1114	3	40 - 73B	AZ45594	3G22	20	110 - 33
AZ42086	2B11	9	50 - 5	AZ43052	112	1	40 - 63	AZ45594	3G22	37	110 - 33
AZ42087	2B11	1	50 - 5	AZ43052	1112	1	40 - 73	AZ45725	4D21	8	120 - 67
AZ42088	2B15	1	50 - 9	AZ43052	1114	1	40 - 73B	AZ45725	4E2	23	120 - 71
AZ42089	2B9	2	50 - 3	AZ43275	1G13	11	40 - 25	AZ45725	4E4	20	120 - 73
AZ42090	2B19	1	50 - 13	AZ44038	4E8	7	120 - 77	AZ45960	1116	20	40 - 75
AZ42091	2B15	7	50 - 9	AZ44079	4E14	6	120 - 83	A120R	1B8	2	20 - 4
AZ42092	2B19	7	50 - 13	AZ44080	4E14	6	120 - 83	A120R	1C2	9	20 - 21
AZ42092	2C2	5	50 - 21	AZ44100	4C21	16	120 - 41	A120R	1C3	9	20 - 22
AZ42093	2B19	11	50 - 13	AZ44109	4G16	1	130 - 17	A120R	1C4	9	20 - 22A
AZ42094	2B17	1	50 - 11	AZ44109	4J2	3	150 - 11	A120R	1C5	6	20 - 22B
AZ42095	2B17	4	50 - 11	AZ44111	4G8	1	130 - 9	A16529	2C22	9	50 - 41
AZ42149	4C15	22	120 - 35	AZ44111	4J2	1	150 - 11	A22698	1E8	8	30 - 12
AZ42154	3F16	11	110 - 3	AZ44143	3C13	4	90 - 33	A22698	1E9	12	30 - 13
AZ42157	4G4	1	130 - 7	AZ44143	3C15	18	90 - 33B	A2913R	4J19	2	150 - 28

1L10

4435 AND 4435 HYDRO COMBINES

NUMERICAL INDEX - CONTINUED

PART NO.	GRID	KEY	PAGE	PART NO.	GRID	KEY	PAGE	PART NO.	GRID	KEY	PAGE
A2913R	4J24	1	150 - 33	F2741R	3D25	14	90 - 67B	H35248	2H7	3	70 - 28
A4655R	1H20	29	40 - 57	F2863R	2E19	5	60 - 15	H60819	2G15	20	70 - 11
A4730R	2E21	13	60 - 17	F3171R	2C14	5	50 - 33	H61355	2C16	5	50 - 35
A4827R	1C1	10	20 - 20	F3171R	2E21	6	60 - 17	H62385	2F5	15	60 - 27
A4879R	1B8	6	20 - 4	F3171R	2G9	10	70 - 5	H62801	2G15	19	70 - 11
BP1640E	4F6	9	120 - 95	H100667	4J24	7	150 - 33	H63061	2H21	15	70 - 42
B15646	3E14	5	90 - 81	H100667	4K4	4	150 - 37	H63271	2B9	11	50 - 3
B177R	2D4	2	50 - 47	H101370	2H25	8	70 - 46	H63271	2B11	8	50 - 5
B177R	2E19	3	60 - 15	H10163	2D18	1	50 - 61	H63271	2B13	11	50 - 7
B3690R	2F9	21	60 - 31	H102711	3E2	1	90 - 69	H63271	2B19	3	50 - 13
CA20531	3E20	22	90 - 87	H10280	2D22	2	50 - 65	H63271	2B24	7	50 - 19
CA20544	3E10	14	90 - 77	H104803	1J3	7	40 - 86	H63289	2H25	1	70 - 46
CA20544	3E14	14	90 - 81	H104855	1J12	21	40 - 95	H63289	2H1	1	70 - 47
CA20544	3F4	14	90 - 97	H105899	4J19	1	150 - 28	H63357	2G15	12	70 - 11
CA20547	3E12	7	90 - 79	H10613	4D2	11	120 - 47	H63357	2H25	6	70 - 46
CA20547	3E14	8	90 - 81	H106246	1116	6	40 - 75	H63357	2H1	4	70 - 47
CA20547	3F2	7	90 - 95	H107266	2E14	11	60 - 9	H63597	2I6	2	70 - 53
CA20725	3E24	3	90 - 91	H109456	3D22	6	90 - 66	H64036	2D18	16	50 - 61
CA20725	3E25	3	90 - 92	H113022	4K4	2	150 - 37	H64037	2D18	18	50 - 61
CA22525	3E24	10	90 - 91	H11492	2F5	1	60 - 27	H64813	2B22	3	50 - 17
CA22525	3E25	12	90 - 92	H11493	2F5	2	60 - 27	H65107	3D23	4	90 - 67
CA22529	3E24	16	90 - 91	H11496	2D18	19	50 - 61	H65107	3D25	32	90 - 67B
CA22529	3E25	14	90 - 92	H115052	2B9	9	50 - 3	H65169	1E24	11	30 - 31
CA22540	3E18	7	90 - 85	H115060	2B11	5	50 - 5	H65661	2H21	7	70 - 42
CA22540	3F6	7	90 - 99	H120190	3D14	15	90 - 57	H75414	2C6	5	50 - 25
CC19416	2H4	12	70 - 25	H122258	3D16	3	90 - 59	H75541	1F25	5	40 - 12
CC19673	2E16	5	60 - 11	H124114	3D14	20	90 - 57	H75541	1H8	12	40 - 45
CC19674	2E16	7	60 - 11	H127603	3G16	11	110 - 27	H75541	1H12	8	40 - 49
CD13979	1B18	7	20 - 14	H128118	3G16	10	110 - 27	H75541	1H14	34	40 - 51
CD14689	1F19	11	40 - 6	H132328	3G10	17	110 - 21	H75541	1116	8	40 - 75
CD14725	1B18	5	20 - 14	H133638	4J22	2	150 - 31	H75541	1120	6	40 - 79
CD15466	1C8	2	20 - 25	H133639	4J22	7	150 - 31	H75541	3D16	28	90 - 59
CD15466	1C10	2	20 - 27	H133639	4J24	6	150 - 33	H76047	2E12	20	60 - 7
CD16045	1C12	2	20 - 29	H133640	4J22	6	150 - 31	H76933	4F14	6	120 - 103
CD16159	1E4	12	30 - 8	H133640	4J24	3	150 - 33	H77358	1H14	33	40 - 51
CD16159	1E5	12	30 - 9	H133642	4J22	5	150 - 31	H77358	1I2	16	40 - 63
CD16284	1B17	3	20 - 13	H133643	4J24	5	150 - 33	H77358	1112	12	40 - 73
CE15515	1D25	4	30 - 5	H135570	2B19	9	50 - 13	H77358	1116	19	40 - 75
CQ00534	4D8	6	120 - 53	H135571	2B22	7	50 - 17	H78110	1F6	24	30 - 37
CQ13099	4D8	8	120 - 53	H137426	4J22	1	150 - 31	H78856	1D16	11	20 - 59
CQ13105	4D8	4	120 - 53	H138989	4J18	5	150 - 27	H80197	1D16	9	20 - 59
DA19456	3C24	13	90 - 43	H138989	4J22	3	150 - 31	H80404	2H25	7	70 - 46
DA22524	3E24	12	90 - 91	H138989	4J24	2	150 - 33	H80493	4J12	4	150 - 21
DD12121	1B20	2	20 - 15A	H139948	4J22	4	150 - 31	H80493	4J14	4	150 - 23
DD14134	2K16	3	80 - 53	H139948	4J24	4	150 - 33	H80926	3G16	1	110 - 27
DD14135	2K16	3	80 - 53	H20551	2D10	10	50 - 53	H83107	4J18	3	150 - 27
DD14137	2K16	3	80 - 53	H20551	2D16	21	50 - 59	H83793	4F14	2	120 - 103
DD14928	1C1	3	20 - 20	H20551	2D18	34	50 - 61	H83795	4F14	4	120 - 103
DD14928	1C1	..	20 - 20	H20551	2D22	7	50 - 65	H84537	2G17	13	70 - 13
D2361R	2E21	24	60 - 17	H22694	2H21	18	70 - 42	H84666	2D2	17	50 - 45
E10079	2H4	23	70 - 25	H22694	2H22	2	70 - 43	H84667	2C24	15	50 - 43
E10079	4B14	17	120 - 7	H22695	2H21	19	70 - 42	H84672	2D2	4	50 - 45
E12378	4H13	4	130 - 39	H22695	2H22	3	70 - 43	H84934	4F14	5	120 - 103
E12379	2D10	23	50 - 53	H22782	2D22	3	50 - 65	H85987	2C24	16	50 - 43
E12379	2G13	18	70 - 9	H22784	2D24	12	50 - 67	H85988	2C22	15	50 - 41
E12379	2I19	14	80 - 9	H22785	2D22	10	50 - 65	H85989	2C22	5	50 - 41
E12379	2I21	9	80 - 9B	H22789	2D22	14	50 - 65	H85990	2C24	2	50 - 43
E12379	3E8	23	90 - 75	H25360	3G16	4	110 - 27	H85991	2C24	20	50 - 43
E12379	4C11	4	120 - 31	H30463	2C22	10	50 - 41	H85993	2C22	13	50 - 41
E12817	2D22	9	50 - 65	H31263	2D24	16	50 - 67	H85994	2D2	12	50 - 45
E54646	2K12	5	80 - 49	H31264	2D24	17	50 - 67	H85996	2D2	14	50 - 45
E58090	2H6	17	70 - 27	H34482	1D16	10	20 - 59	H86008	2D2	10	50 - 45
E61860	2H21	12	70 - 42	H35230	2G15	3	70 - 11	H86011	2C24	3	50 - 43
E62951	3G16	6	110 - 27	H35230	2G17	8	70 - 13	H86012	2C24	17	50 - 43
E73093	2C16	4	50 - 35	H35244	1C4	12	20 - 22A	H86659	2D2	15	50 - 45
F2063R	2D4	6	50 - 47	H35244	1C12	5	20 - 29	H86660	2D2	16	50 - 45
F2741R	3D23	14	90 - 67	H35247	2H7	2	70 - 28	H87092	3E10	8	90 - 77

1L11

4435 AND 4435 HYDRO COMBINES

NUMERICAL INDEX - CONTINUED

PART NO.	GRID	KEY	PAGE	PART NO.	GRID	KEY	PAGE	PART NO.	GRID	KEY	PAGE
H87092	3F4	8	90 - 97	JD39102	4H9	29	130 - 35	JD8968	2C24	18	50 - 43
H871R	2F11	16	60 - 33	JD39103	4D6	29	120 - 51	JD8972	2D18	28	50 - 61
H88771	3D16	18	90 - 59	JD39103	4E2	9	120 - 71	JD8972	2D18	42	50 - 61
H88773	3D16	2	90 - 59	JD39103	4E4	9	120 - 73	JD8988	2E12	16	60 - 7
H88984	1118	8	40 - 77	JD39103	4G10	31	130 - 11	JD8998	2E12	11	60 - 7
H89171	2C22	18	50 - 41	JD39103	4G14	21	130 - 15	JD9079	2C24	10	50 - 43
H89514	1118	10	40 - 77	JD39103	4H15	4	130 - 41	JD9133	2B9	3	50 - 3
H89522	1118	15	40 - 77	JD39103	4H17	4	130 - 43	JD9137	2C24	11	50 - 43
H89524	4D8	3	120 - 53	JD39103	4H21	3	130 - 47	JD9442	4F14	10	120 - 103
H89870	1118	17	40 - 77	JD39103	4I4	19	130 - 55	JD9913	2D2	23	50 - 45
H91228	4F12	32	120 - 101	JD39104	3G4	3	110 - 15	JD9931	2F9	4	60 - 31
H91228	4F14	7	120 - 103	JD39104	4D14	4	120 - 59	J16931	4E10	4	120 - 79
H93438	3G16	7	110 - 27	JD39105	4G2	10	130 - 5	L12622	4C21	10	120 - 41
H94623	1118	14	40 - 77	JD39108	1D8	12	20 - 51	L12731	3C13	11	90 - 33
H95191	2I2	5	70 - 48	JD39108	4F12	25	120 - 101	L12731	3C15	13	90 - 33B
H95192	2I2	4	70 - 48	JD39117	4D14	18	120 - 59	L12731	3C19	8	90 - 37
H95195	2I2	2	70 - 48	JD5401	4J18	4	150 - 27	L12731	3C20	5	90 - 39
H95560	2I2	9	70 - 48	JD5592	4J18	2	150 - 27	L13781	3C20	2	90 - 39
H96362	4I8	4	130 - 59	JD7222	2D24	19	50 - 67	L17952	3C10	33	90 - 29
H96822	3D23	1	90 - 67	JD7266	2D24	18	50 - 67	L17952	3G22	10	110 - 33
H96822	3D25	1	90 - 67B	JD7414	2E12	12	60 - 7	L18453	4C7	7	120 - 27
H97146	3D16	13	90 - 59	JD7424	2C24	19	50 - 43	L18519	3G20	15	110 - 31
H97149	3D16	1	90 - 59	JD7424	2D18	21	50 - 61	L18519	4D16	4	120 - 61
H97622	3D14	12	90 - 57	JD7425	2D20	13	50 - 63	L18519	4G10	12	130 - 11
H97625	3D18	2	90 - 61	JD7449	2D18	3	50 - 61	L18519	4G22	15	130 - 23
H97626	3D18	6	90 - 61	JD7471	2D18	30	50 - 61	L18889	2I17	31	80 - 7
H97643	3D21	6	90 - 65	JD7759	2C24	14	50 - 43	L18889	2I19	32	80 - 9
H97644	3D23	18	90 - 67	JD7759	2E12	14	60 - 7	L18889	3G4	11	110 - 15
H97644	3D25	18	90 - 67B	JD7788	2D2	19	50 - 45	L18889	3G8	2	110 - 19
H97941	2H24	11	70 - 45	JD7788	2D2	29	50 - 45	L18889	3G10	36	110 - 21
H97942	2H24	12	70 - 45	JD7788	2G13	19	70 - 9	L18889	4H25	23	130 - 51
H98238	2D18	38	50 - 61	JD7788	2I19	14	80 - 9	L18947	4F12	18	120 - 101
H98286	3D16	7	90 - 59	JD7788	2I21	10	80 - 9B	L18950	2K13	3	80 - 50
H98313	1J4	5	40 - 87	JD7788	3E8	24	90 - 75	L18950	4H15	21	130 - 41
H98905	3G10	17	110 - 21	JD7788	4C11	5	120 - 31	L18955	2I21	5	80 - 9B
H99918	3D22	5	90 - 66	JD7797	2C22	19	50 - 41	L18955	4B17	14	120 - 11
JD10046	4B25	39	120 - 19	JD7797	4H11	25	130 - 37	L19008	1D16	26	20 - 59
JD10087	2D2	27	50 - 45	JD7797	4H13	5	130 - 39	L19105	4C9	24	120 - 29
JD10087	2D12	6	50 - 55	JD7806	2D10	8	50 - 53	L19162	2G13	6	70 - 9
JD10087	2F3	8	60 - 25	JD7845	2G13	11	70 - 9	L19162	3C6	44	90 - 25
JD10212	3B22	26	90 - 17	JD7845	2I21	7	80 - 9B	L19162	3E8	13	90 - 75
JD10286	3G10	22	110 - 21	JD7845	3E8	22	90 - 75	L19219	3E8	3	90 - 75
JD10287	3G10	7	110 - 21	JD7845	4C11	1	120 - 31	L19219	3E18	8	90 - 85
JD10384	4H21	22	130 - 47	JD7845	4H13	7	130 - 39	L19219	4F12	22	120 - 101
JD10384	4I2	9	130 - 53	JD8100	2D18	23	50 - 61	L19366	4F12	18	120 - 101
JD10384	4I10	19	130 - 61	JD8134	2D18	4	50 - 61	L19394	4F12	10	120 - 101
JD10386	4D4	18	120 - 49	JD8152	2D24	14	50 - 67	L19651	1F18	21	40 - 5
JD10397	4D12	8	120 - 57	JD8161	2D20	14	50 - 63	L20507	4D10	3	120 - 55
JD10436	4E12	6	120 - 81	JD8171	2D20	5	50 - 63	L20624	4D16	3	120 - 61
JD10540	3G22	20	110 - 33	JD8179	2D18	28	50 - 61	L20624	4G10	11	130 - 11
JD29980	1D8	27	20 - 51	JD8187	4C9	12	120 - 29	L20624	4G22	14	130 - 23
JD29980	2C14	12	50 - 33	JD8188	4C9	16	120 - 29	L25678	3B22	19	90 - 17
JD29980	3E20	29	90 - 87	JD8217	2D20	6	50 - 63	L29156	1F18	31	40 - 5
JD29980	4I12	18	130 - 63	JD8220	2D18	30	50 - 61	L29157	1F18	19	40 - 5
JD30071	3E24	15	90 - 91	JD8225	4C9	13	120 - 29	L29226	2D20	10	50 - 63
JD30071	3E25	8	90 - 92	JD8226	4C9	15	120 - 29	L29227	2D20	11	50 - 63
JD30198	4F8	4	120 - 97	JD8248	2D24	11	50 - 67	L29265	1E21	20	30 - 27
JD30324	4H25	30	130 - 51	JD8249	2D24	13	50 - 67	L29364	2G11	11	70 - 7
JD30346	4E14	7	120 - 83	JD8252	2C24	21	50 - 43	L30860	1F18	24	40 - 5
JD30543	3F8	7	90 - 101	JD8271	2E12	15	60 - 7	L30862	1F18	7	40 - 5
JD33012	4B25	12	120 - 19	JD8548	2C10	8	50 - 29	L31750	3C22	4	90 - 41
JD33015	4B25	24	120 - 19	JD8562	4F12	37	120 - 101	L32504	2E21	30	60 - 17
JD39053	4B25	28	120 - 19	JD8563	4F12	35	120 - 101	L32709	2F11	3	60 - 33
JD39102	4D19	7	120 - 65	JD8563	4F14	11	120 - 103	L33993	1F20	5	40 - 7
JD39102	4G12	32	130 - 13	JD8875	2F9	5	60 - 31	L34040	2E21	21	60 - 17
JD39102	4G18	32	130 - 19	JD8923	2D24	10	50 - 67	L35423	1J10	4	40 - 93
JD39102	4G20	8	130 - 21	JD8930	2C24	13	50 - 43	L36182	2E14	5	60 - 9

1L12

4435 AND 4435 HYDRO COMBINES

NUMERICAL INDEX - CONTINUED

PART NO.	GRID	KEY	PAGE	PART NO.	GRID	KEY	PAGE	PART NO.	GRID	KEY	PAGE
L36306	2F11	9	60 - 33	L60189	2H14	5	70 - 35	P46402	2F9	9	60 - 31
L36509	2D18	8	50 - 61	L60190	2G23	9	70 - 19	P46413	2D10	6	50 - 53
L36509	2D18	41	50 - 61	L60190	2H2	5	70 - 23	P47232	4D19	6	120 - 65
L36669	1J10	27	40 - 93	L60190	2H4	1	70 - 25	P47232	4G2	9	130 - 5
L36670	1J10	9	40 - 93	L60913	1E7	6	30 - 11	P47232	4G12	33	130 - 13
L36676	1J10	26	40 - 93	L60913	1E7	..	30 - 11	P47232	4G18	33	130 - 19
L36681	1J10	3	40 - 93	L61603	2F9	25	60 - 31	P47232	4G20	7	130 - 21
L36685	1J10	6	40 - 93	L62039	3D6	14	90 - 49	P47232	4H9	30	130 - 35
L37361	3E22	4	90 - 89	L62675	1B9	9	20 - 5	P48403	2B9	16	50 - 3
L37975	3D2	23	90 - 45	L64214	2F9	1	60 - 31	P48652	2D18	2	50 - 61
L37975	3D4	4	90 - 47	L851T	2D18	22	50 - 61	P48666	2D16	3	50 - 59
L38083	3D2	26	90 - 45	L94741	2K16	10	80 - 53	P48691	2C24	4	50 - 43
L38598	3D21	3	90 - 65	L94743	2K16	10	80 - 53	P48769	2F5	13	60 - 27
L38599	3D21	4	90 - 65	L94750	2K16	6	80 - 53	P49116	2D18	2	50 - 61
L38617	3D19	6	90 - 62	L94772	2K16	6	80 - 53	P49117	2D18	2	50 - 61
L38847	3B22	43	90 - 17	M3332T	2F5	6	60 - 27	P49118	2D18	2	50 - 61
L38847	3C11	1	90 - 30	M3636T	1F18	34	40 - 5	P49119	2D18	2	50 - 61
L38850	3B22	24	90 - 17	M3827T	2C22	8	50 - 41	P49545	3G4	10	110 - 15
L38851	3B22	44	90 - 17	M41029	1C8	5	20 - 25	P49545	4C25	3	120 - 45
L38851	3C11	2	90 - 30	M4141T	1F6	22	30 - 37	P49545	4D2	3	120 - 47
L38852	3B22	12	90 - 17	M4237T	2B9	4	50 - 3	P50456	1D16	12	20 - 59
L38853	3B22	14	90 - 17	M830T	2F5	7	60 - 27	P50487	1E17	13	30 - 23
L38854	3B22	13	90 - 17	M831T	2F5	5	60 - 27	P50883	3E14	11	90 - 81
L38855	3B22	10	90 - 17	M833T	2F5	10	60 - 27	P51212	2H25	9	70 - 46
L38856	3B22	2	90 - 17	M834T	2F5	9	60 - 27	P51212	2I1	5	70 - 47
L38857	3B22	32	90 - 17	N10217	1J3	1	40 - 86	P51212	3D23	12	90 - 67
L38861	3B22	27	90 - 17	N104243	3G16	3	110 - 27	P51212	3D25	12	90 - 67B
L38862	3B22	11	90 - 17	N111488	2G15	17	70 - 11	P51212	3E12	2	90 - 79
L38864	3B20	10	90 - 15	N111493	2G15	5	70 - 11	P51212	3F2	2	90 - 95
L38865	3B22	28	90 - 17	N111493	2G17	5	70 - 13	RE10973	3E6	5	90 - 73
L38866	3B22	31	90 - 17	N126586	2B15	22	50 - 9	RE10974	3E4	11	90 - 71
L38867	3B22	6	90 - 17	N126599	2B9	14	50 - 3	RE10975	3E4	13	90 - 71
L38868	3B22	7	90 - 17	N126599	2B11	4	50 - 5	RE10976	3E3	1	90 - 70
L38869	3B20	11	90 - 15	N126609	2B9	13	50 - 3	RE10976	3E4	16	90 - 71
L38888	3B20	13	90 - 15	N126609	2B11	3	50 - 5	RE10977	3E6	6	90 - 73
L38889	3B22	16	90 - 17	N126612	2B11	13	50 - 5	RE10978	3E6	3	90 - 73
L38890	3B22	21	90 - 17	N126612	2B22	9	50 - 17	RE10979	3E6	1	90 - 73
L38891	3B22	20	90 - 17	N126621	2B19	13	50 - 13	RE10980	3E4	4	90 - 71
L38892	3B20	18	90 - 15	N126622	2B19	8	50 - 13	RE10981	3E4	1	90 - 71
L38893	3B18	5	90 - 13	N126637	2B19	2	50 - 13	RE10982	3E4	2	90 - 71
L39010	3B20	15	90 - 15	N126641	2B15	2	50 - 9	RE11410	1B19	3	20 - 15
L39011	3B22	22	90 - 17	N132503	2H6	1	70 - 27	RE12323	1E8	1	30 - 12
L39033	2F9	11	60 - 31	N157296	1116	15	40 - 75	RE12330	1H2	32	40 - 39
L39888	3E2	8	90 - 69	N170836	2H6	18	70 - 27	RE12513	3E4	16	90 - 71
L40309	1J2	13	40 - 85	N170837	2H6	16	70 - 27	RE13571	1C2	2	20 - 21
L40778	1J4	8	40 - 87	N170840	2H6	9	70 - 27	RE13571	1C3	2	20 - 22
L40867	3D22	7	90 - 66	N170849	2H6	3	70 - 27	RE13571	1C4	3	20 - 22A
L40914	2G11	10	70 - 7	N170871	2H6	8	70 - 27	RE13571	1C5	4	20 - 22B
L41074	2K16	12	80 - 53	N170873	2H6	7	70 - 27	RE13887	1E11	14	30 - 15
L41081	1F18	15	40 - 5	N196945	2H6	4	70 - 27	RE13976	1C19	15	20 - 37
L41395	3D22	3	90 - 66	N31767	2G15	18	70 - 11	RE14977	1B21	1	20 - 16
L41582	1F18	5	40 - 5	N34986	2H21	6	70 - 42	RE15674	1C6	2	20 - 23
L42043	1F18	11	40 - 5	N48000	2B11	2	50 - 5	RE15674	1C8	4	20 - 25
L49514	4H25	31	130 - 51	N48000	2B15	11	50 - 9	RE15674	1C10	4	20 - 27
L53825	4D14	16	120 - 59	PK1103H	4C23	27	120 - 43	RE15674	1C11	2	20 - 28
L53825	4D17	1	120 - 62	PK1103H	4D2	12	120 - 47	RE16149	1B13	4	20 - 9
L55034	1I24	5	40 - 83	PK1931H	4C25	5	120 - 45	RE16494	1C10	9	20 - 27
L55034	3E2	17	90 - 69	P42100	4C23	18	120 - 43	RE16495	1C8	9	20 - 25
L55064	1F18	23	40 - 5	P42100	4D2	4	120 - 47	RE19031	1B20	8	20 - 15A
L55066	1F18	17	40 - 5	P42100	4D4	7	120 - 49	RE20789	1E10	2	30 - 14
L55078	1G19	7	40 - 31	P42100	4D6	42	120 - 51	RE20790	1E10	3	30 - 14
L55078	1H24	12	40 - 61	P42669	2D18	15	50 - 61	RE21076	1C8	9	20 - 25
L55078	1I2	13	40 - 63	P43660	3D14	3	90 - 57	RE22289	1E3	13	30 - 7
L55078	3C19	19	90 - 37	P43893	3D18	10	90 - 61	RE22391	1E9	5	30 - 13
L55163	3D2	25	90 - 45	P44439	4F12	36	120 - 101	RE23181	1E3	6	30 - 7
L56497	2D8	15	50 - 51	P44439	4F14	9	120 - 103	RE23375	1B25	2	20 - 19
L56498	2D8	14	50 - 51	P46356	2D18	26	50 - 61	RE24308	1I24	20	40 - 83

1L13

4435 AND 4435 HYDRO COMBINES

NUMERICAL INDEX - CONTINUED

PART NO.	GRID	KEY	PAGE	PART NO.	GRID	KEY	PAGE	PART NO.	GRID	KEY	PAGE
RE24308	3D25	22	90 - 67B	RE48330	1C2	6	20 - 21	R26375	2H12	3	70 - 33
RE24826	1B10	2	20 - 6	RE48330	1C3	6	20 - 22	R26375	2I4	5	70 - 51
RE25570	1B7	1	20 - 3	RE48330	1C4	1	20 - 22A	R26375	2I6	4	70 - 53
RE25591	1B7	1	20 - 3	RE48330	1C4	7	20 - 22A	R26448	2C6	6	50 - 25
RE25591	1B8	1	20 - 4	RE48330	1C8	11	20 - 25	R26448	2G19	9	70 - 15
RE25591	1B9	1	20 - 5	RE48330	1C10	11	20 - 27	R26448	2G23	12	70 - 19
RE26205	1C5	1	20 - 22B	R100074	1C24	3	20 - 42	R26448	2H7	5	70 - 28
RE26205	1C8	11	20 - 25	R100075	1C24	5	20 - 42	R26448	2H12	6	70 - 33
RE26205	1C10	11	20 - 27	R100105	1B22	9	20 - 17	R26493	1B8	8	20 - 4
RE26871	1B16	1	20 - 12	R100105	1B23	8	20 - 17A	R26552	2D14	7	50 - 57
RE26983	1E4	10	30 - 8	R100808	1C2	1	20 - 21	R26863	2C22	11	50 - 41
RE26983	1E5	10	30 - 9	R100808	1C3	1	20 - 22	R26906	2B20	2	50 - 14
RE27348	1C4	5	20 - 22A	R100808	1C4	2	20 - 22A	R26906	2E21	15	60 - 17
RE27348	1C8	11	20 - 25	R100809	1C2	3	20 - 21	R26906	2G9	2	70 - 5
RE27348	1C10	11	20 - 27	R100809	1C3	3	20 - 22	R26906	2G23	3	70 - 19
RE27349	1C5	3	20 - 22B	R100809	1C4	4	20 - 22A	R26906	2H2	15	70 - 23
RE27349	1C8	11	20 - 25	R100828	1B11	4	20 - 7	R26906	2I4	2	70 - 51
RE27349	1C10	11	20 - 27	R10093	1B10	3	20 - 6	R27139	2E21	9	60 - 17
RE27350	1C2	3	20 - 21	R10093	1B11	3	20 - 7	R27166	2G15	8	70 - 11
RE27350	1C3	3	20 - 22	R10093	3D23	6	90 - 67	R27166	2G17	2	70 - 13
RE27350	1C4	4	20 - 22A	R10093	3D25	6	90 - 67B	R27218	2G19	16	70 - 15
RE27351	1C2	3	20 - 21	R10093	3E10	6	90 - 77	R27270	2I4	20	70 - 51
RE27351	1C3	3	20 - 22	R10093	3F4	17	90 - 97	R27272	1E8	10	30 - 12
RE27351	1C5	5	20 - 22B	R101224	1B22	1	20 - 17	R27272	1E9	1	30 - 13
RE27352	1C2	1	20 - 21	R101224	1B22	2	20 - 17	R27346	1E4	11	30 - 8
RE27352	1C3	1	20 - 22	R101224	1B22	6	20 - 17	R27346	1E5	11	30 - 9
RE27352	1C4	2	20 - 22A	R101224	1B23	2	20 - 17A	R27474	2G15	13	70 - 11
RE27353	1C2	1	20 - 21	R101225	1B22	1	20 - 17	R28583	1E14	1	30 - 19
RE27353	1C3	1	20 - 22	R101225	1B22	2	20 - 17	R28776	2H25	4	70 - 46
RE27353	1C5	2	20 - 22B	R101225	1B22	6	20 - 17	R28776	2I1	2	70 - 47
RE27358	1C8	11	20 - 25	R101225	1B23	1	20 - 17A	R28782	2G21	13	70 - 17
RE27358	1C10	11	20 - 27	R101227	1B22	1	20 - 17	R28782	2H10	1	70 - 31
RE27359	1C2	3	20 - 21	R101227	1B22	2	20 - 17	R28782	2H21	8	70 - 42
RE27360	1C2	1	20 - 21	R101227	1B22	6	20 - 17	R28782	2H21	9	70 - 42
RE27364	1C8	11	20 - 25	R101227	1B23	5	20 - 17A	R29936	2C12	19	50 - 31
RE27364	1C10	11	20 - 27	R102902	1C19	8	20 - 37	R29936	2C16	6	50 - 35
RE27366	1C2	3	20 - 21	R104536	1E3	17	30 - 7	R30378	1I24	12	40 - 83
RE27368	1C2	1	20 - 21	R104536	1E3	..	30 - 7	R31142	1E19	3	30 - 25
RE27667	1E6	3	30 - 10	R106861	1D25	3	30 - 5	R31631	2G15	15	70 - 11
RE28534	1E4	1	30 - 8	R108658	1C3	6	20 - 22	R32730	2F9	13	60 - 31
RE28535	1E4	1	30 - 8	R108658	1C4	7	20 - 22A	R33259	3D23	11	90 - 67
RE28535	1E5	1	30 - 9	R108679	1C3	6	20 - 22	R33259	3D25	11	90 - 67B
RE30250	1C6	1	20 - 23	R108679	1C4	7	20 - 22A	R33259	3E12	3	90 - 79
RE30685	1C1	2	20 - 20	R109086	1C12	2	20 - 29	R33259	3F2	3	90 - 95
RE31667	1C17	2	20 - 34	R112857	2B11	12	50 - 5	R34557	1B12	3	20 - 8
RE31757	1E12	1	30 - 16	R112857	2B22	10	50 - 17	R34760	1E11	12	30 - 15
RE32011	1E12	14	30 - 16	R20759	2K2	7	80 - 39	R34760	1E12	12	30 - 16
RE32204	1E3	11	30 - 7	R21612	2D8	1	50 - 51	R34766	1E7	5	30 - 11
RE33115	1C11	1	20 - 28	R21630	1C16	2	20 - 33	R34812	3D23	13	90 - 67
RE33636	1E14	13	30 - 19	R26125	1B18	4	20 - 14	R34812	3D25	13	90 - 67B
RE33636	2K16	5	80 - 53	R26125	1B19	4	20 - 15	R35286	2E21	16	60 - 17
RE35685	1C14	1	20 - 31	R26266	2D18	39	50 - 61	R36535	1E9	4	30 - 13
RE37463	1E6	6	30 - 10	R26286	1E8	9	30 - 12	R375R	2G15	9	70 - 11
RE37482	1E4	13	30 - 8	R26286	1E9	2	30 - 13	R375R	2H25	5	70 - 46
RE37482	1E6	3	30 - 10	R26287	1E4	8	30 - 8	R375R	2I1	3	70 - 47
RE37503	1E12	1	30 - 16	R26287	1E5	8	30 - 9	R39112	2E21	23	60 - 17
RE38009	1E5	13	30 - 9	R26287	2E21	8	60 - 17	R39171	2G9	8	70 - 5
RE38009	1E7	1	30 - 11	R26287	2F1	3	60 - 22	R39554	1H20	40	40 - 57
RE38015	1E5	13	30 - 9	R26287	2G15	16	70 - 11	R40791	1B15	5	20 - 11
RE38078	1C23	7	20 - 41	R26375	2E21	26	60 - 17	R41412	1B18	2	20 - 14
RE38852	1D2	1	20 - 45	R26375	2F15	5	60 - 37	R41412	1B18	3	20 - 14
RE38858	1D2	2	20 - 45	R26375	2F17	18	60 - 39	R41514	2D16	30	50 - 59
RE38860	1D2	2	20 - 45	R26375	2G19	11	70 - 15	R41985	3E2	13	90 - 69
RE42733	1C10	9	20 - 27	R26375	2G23	5	70 - 19	R42629	2F9	8	60 - 31
RE44574	1C2	10	20 - 21	R26375	2G25	6	70 - 21	R42729	1B20	6	20 - 15A
RE44574	1C3	10	20 - 22	R26375	2H4	5	70 - 25	R43661	3D14	6	90 - 57
RE44574	1C4	10	20 - 22A	R26375	2H8	9	70 - 29	R44165	1I24	8	40 - 83

1L14

4435 AND 4435 HYDRO COMBINES

NUMERICAL INDEX - CONTINUED

PART NO.	GRID	KEY	PAGE	PART NO.	GRID	KEY	PAGE	PART NO.	GRID	KEY	PAGE
R44302	1D14	8	20 - 57	R50875	2F9	1	60 - 31	R60172	3F4	16	90 - 97
R44302	1E14	16	30 - 19	R51031	2G21	12	70 - 17	R60263	3D23	15	90 - 67
R44302	1F16	2	40 - 3	R51031	2H21	8	70 - 42	R60263	3D25	15	90 - 67B
R44302	1F22	2	40 - 9	R51153	2F9	14	60 - 31	R60264	3D23	16	90 - 67
R44302	1F24	4	40 - 11	R51590	3D14	18	90 - 57	R60264	3D25	16	90 - 67B
R44302	1F25	2	40 - 12	R51731	1C8	7	20 - 25	R61145	1E10	20	30 - 14
R44302	1G4	2	40 - 17	R51736	1E1	4	30 - 5A	R61145	1E10	24	30 - 14
R44302	1G6	2	40 - 17B	R51892	1I24	22	40 - 83	R61268	1J2	14	40 - 85
R44302	1G8	15	40 - 19	R51936	1E11	8	30 - 15	R61351	1C13	1	20 - 30
R44302	1G11	10	40 - 22	R51936	1E12	8	30 - 16	R61355	1C25	9	20 - 43
R44302	1G13	7	40 - 25	R51937	1E11	7	30 - 15	R61356	1E6	7	30 - 10
R44302	1G15	3	40 - 27	R51937	1E12	7	30 - 16	R61871	1C14	8	20 - 31
R44302	1G18	11	40 - 30	R51963	1C19	2	20 - 37	R62143	1B17	2	20 - 13
R44302	1G21	2	40 - 33	R52130	3D16	4	90 - 59	R62280	2F9	2	60 - 31
R44302	1H2	2	40 - 39	R52130	3D19	4	90 - 62	R62513	2E21	10	60 - 17
R44302	1H5	4	40 - 42	R52233	4G6	20	130 - 7B	R63496	1J4	1	40 - 87
R44302	1H12	6	40 - 49	R52708	3D18	4	90 - 61	R64100	1C16	1	20 - 33
R44302	1H14	32	40 - 51	R52931	3D19	2	90 - 62	R64449	1F19	4	40 - 6
R44302	1I2	17	40 - 63	R52998	3E12	8	90 - 79	R64506	1E6	8	30 - 10
R44302	1I6	5	40 - 67	R52998	3E14	7	90 - 81	R64851	1C2	2	20 - 21
R44302	1I10	4	40 - 71	R52998	3F2	8	90 - 95	R64851	1C3	2	20 - 22
R44302	1I14	2	40 - 73B	R53000	3E10	11	90 - 77	R65215	1B8	9	20 - 4
R44302	1I16	2	40 - 75	R53000	3E14	13	90 - 81	R65472	3E2	7	90 - 69
R44302	1I20	5	40 - 79	R53000	3F4	11	90 - 97	R65833	1C8	2	20 - 25
R44302	2F19	18	60 - 41	R53524	1C23	11	20 - 41	R65833	1C10	2	20 - 27
R44302	2I19	14	80 - 9	R53678	1J2	12	40 - 85	R65850	1D24	1	30 - 4
R44302	2I21	14	80 - 9B	R54114	1C10	5	20 - 27	R66087	3D21	7	90 - 65
R44302	3D12	9	90 - 55	R54123	1D3	7	20 - 46	R66090	1E11	6	30 - 15
R44302	3D22	9	90 - 66	R54229	1E9	8	30 - 13	R66090	1E12	6	30 - 16
R44302	3D25	20	90 - 67B	R54510	1D3	2	20 - 46	R66645	3D25	9	90 - 67B
R44302	3E10	16	90 - 77	R54511	1D3	3	20 - 46	R66719	1E1	3	30 - 5A
R44302	3E12	6	90 - 79	R54565	1B20	1	20 - 15A	R66821	1E4	3	30 - 8
R44302	3F4	18	90 - 97	R54637	1C25	7	20 - 43	R66821	1E5	3	30 - 9
R44302	4H13	1	130 - 39	R54638	1C25	5	20 - 43	R67718	3D25	8	90 - 67B
R44852	2G9	9	70 - 5	R54641	1C25	10	20 - 43	R68332	3D16	14	90 - 59
R46414	1E3	8	30 - 7	R54748	3D18	3	90 - 61	R68751	1F19	2	40 - 6
R46414	1H24	20	40 - 61	R54802	1B8	3	20 - 4	R68752	1F19	6	40 - 6
R46414	1I16	8	40 - 75	R55233	1B9	6	20 - 5	R69023	3D16	23	90 - 59
R46415	1F25	5	40 - 12	R55326	3D14	11	90 - 57	R69260	1C1	3	20 - 20
R46415	1H12	8	40 - 49	R55498	2F9	10	60 - 31	R70956	1C23	8	20 - 41
R46415	1H14	34	40 - 51	R55647	1C8	8	20 - 25	R71116	1C15	8	20 - 32
R46415	1I16	8	40 - 75	R55968	1C25	3	20 - 43	R71357	3D16	12	90 - 59
R46415	1I20	6	40 - 79	R56056	1E9	9	30 - 13	R71650	2F9	16	60 - 31
R46415	3D16	28	90 - 59	R56057	1B14	4	20 - 10	R72040	3D23	2	90 - 67
R46625	1B8	16	20 - 4	R56188	1C10	7	20 - 27	R72040	3D25	33	90 - 67B
R47154	1B25	1	20 - 19	R56251	4F4	11	120 - 93D	R72040	3E2	19	90 - 69
R47160	1E14	2	30 - 19	R56422	1E9	11	30 - 13	R72659	1F22	4	40 - 9
R47693	1D3	4	20 - 46	R56423	1E9	10	30 - 13	R72659	1F24	7	40 - 11
R48071	1E4	7	30 - 8	R56424	1E9	6	30 - 13	R72659	1I14	5	40 - 73B
R48071	1E5	7	30 - 9	R56461	1C25	8	20 - 43	R73139	1B8	17	20 - 4
R48569	1E10	16	30 - 14	R56463	1B15	1	20 - 11	R73606	1C19	1	20 - 37
R48600	1E8	4	30 - 12	R56551	1D23	9	30 - 3	R74205	3D19	7	90 - 62
R48685	1B9	13	20 - 5	R57003	3D25	7	90 - 67B	R74354	1C14	4	20 - 31
R48685	1C2	9	20 - 21	R57059	1C14	2	20 - 31	R74552	1C14	10	20 - 31
R48685	1C3	9	20 - 22	R57451	1C10	8	20 - 27	R75892	1B8	13	20 - 4
R48685	1C4	9	20 - 22A	R57636	3E14	9	90 - 81	R75893	1B8	12	20 - 4
R48685	1C5	6	20 - 22B	R57637	3E14	15	90 - 81	R76126	1B22	9	20 - 17
R48993	1C19	3	20 - 37	R58186	1E10	12	30 - 14	R76964	1E8	5	30 - 12
R495R	2E21	19	60 - 17	R59297	1E10	20	30 - 14	R77126	1E8	7	30 - 12
R49824	1B10	4	20 - 6	R59297	1E10	23	30 - 14	R77389	3E4	15	90 - 71
R50110	2E21	7	60 - 17	R59298	1E10	20	30 - 14	R77390	3E4	14	90 - 71
R50198	3D14	7	90 - 57	R59298	1E10	22	30 - 14	R77391	3E4	8	90 - 71
R50499	3D6	20	90 - 49	R59305	1E10	11	30 - 14	R77392	3E4	9	90 - 71
R50500	3D19	3	90 - 62	R60170	3E14	4	90 - 81	R77393	3E4	10	90 - 71
R50698	3D4	27	90 - 47	R60172	3E12	1	90 - 79	R77394	3E4	12	90 - 71
R50869	2F9	6	60 - 31	R60172	3E14	3	90 - 81	R77395	3E4	7	90 - 71
R50871	2F9	18	60 - 31	R60172	3F2	1	90 - 95	R77396	3E6	7	90 - 73

1L15

4435 AND 4435 HYDRO COMBINES

NUMERICAL INDEX - CONTINUED

PART NO.	GRID	KEY	PAGE	PART NO.	GRID	KEY	PAGE	PART NO.	GRID	KEY	PAGE
R77397	3E6	2	90 - 73	R87748	1C5	3	20 - 22B	T13213	1C15	2	20 - 32
R77398	3E4	3	90 - 71	R87748	1C8	11	20 - 25	T13213	1C15	9	20 - 32
R77399	3E6	4	90 - 73	R87748	1C10	11	20 - 27	T13914	1E10	17	30 - 14
R77400	3E4	6	90 - 71	R87749	1C2	3	20 - 21	T16318	1E7	2	30 - 11
R77401	3E4	5	90 - 71	R87749	1C3	3	20 - 22	T18891	1B8	7	20 - 4
R78053	1H2	29	40 - 39	R87749	1C5	5	20 - 22B	T19037	2F5	14	60 - 27
R78598	1C2	2	20 - 21	R87750	1C2	1	20 - 21	T19044	1B10	1	20 - 6
R78598	1C3	2	20 - 22	R87750	1C3	1	20 - 22	T19044	1B11	1	20 - 7
R78598	1C4	3	20 - 22A	R87750	1C5	2	20 - 22B	T19158	1E3	10	30 - 7
R78598	1C5	4	20 - 22B	R87754	1C8	11	20 - 25	T19832	2B11	12	50 - 5
R79089	1B9	10	20 - 5	R87754	1C10	11	20 - 27	T19832	2B22	10	50 - 17
R79345	1B21	1	20 - 16	R87755	1C2	3	20 - 21	T20034	1B22	5	20 - 17
R79604	1E11	11	30 - 15	R87756	1C2	1	20 - 21	T20034	1B23	4	20 - 17A
R79604	1E12	11	30 - 16	R87757	1C8	11	20 - 25	T20046	1C2	5	20 - 21
R79605	1E11	10	30 - 15	R87757	1C10	11	20 - 27	T20046	1C3	5	20 - 22
R79605	1E12	10	30 - 16	R87758	1C2	3	20 - 21	T20046	1C4	11	20 - 22A
R79606	1E11	9	30 - 15	R87759	1C2	1	20 - 21	T20050	1C14	7	20 - 31
R79606	1E12	9	30 - 16	R89219	1B19	6	20 - 15	T20072	1B21	3	20 - 16
R79623	1B18	6	20 - 14	R89220	1B19	6	20 - 15	T20073	1B20	11	20 - 15A
R79624	1B18	8	20 - 14	R89221	1B19	6	20 - 15	T20074	1B15	2	20 - 11
R79624	1B19	8	20 - 15	R89222	1B19	6	20 - 15	T20077	1B18	1	20 - 14
R79625	1B18	8	20 - 14	R89824	1B22	2	20 - 17	T20077	1B19	1	20 - 15
R79625	1B19	8	20 - 15	R89879	1E3	23	30 - 7	T20088	1C17	3	20 - 34
R79626	1B18	8	20 - 14	R90059	1C6	3	20 - 23	T20094	1C2	7	20 - 21
R79626	1B19	8	20 - 15	R90059	1C8	1	20 - 25	T20094	1C3	7	20 - 22
R79627	1B18	8	20 - 14	R90059	1C10	1	20 - 27	T20094	1C4	6	20 - 22A
R79627	1B19	8	20 - 15	R90059	1C11	3	20 - 28	T20094	1C5	8	20 - 22B
R79628	1B18	6	20 - 14	R90262	1D23	3	30 - 3	T20098	1C15	2	20 - 32
R79629	1B18	6	20 - 14	R90648	1B13	1	20 - 9	T20098	1C15	10	20 - 32
R79630	1B18	6	20 - 14	R90648	1B14	1	20 - 10	T20129	1B20	9	20 - 15A
R79854	1B13	5	20 - 9	R90658	1D24	2	30 - 4	T20166	1B13	3	20 - 9
R80032	1C10	9	20 - 27	R90658	1D25	5	30 - 5	T20166	1B14	3	20 - 10
R80033	1C8	10	20 - 25	R91298	2F9	18	60 - 31	T20168	1B8	10	20 - 4
R80033	1C10	10	20 - 27	R91692	1C1	11	20 - 20	T20168	1B9	11	20 - 5
R80034	1C8	9	20 - 25	R91887	1B12	2	20 - 8	T20176	1B18	3	20 - 14
R80541	1C15	2	20 - 32	R92159	1B9	3	20 - 5	T20205	1C15	1	20 - 32
R80725	1B7	1	20 - 3	R92426	1B17	4	20 - 13	T20243	1C19	14	20 - 37
R80725	1B8	1	20 - 4	R97344	1C15	1	20 - 32	T20294	1B16	4	20 - 12
R80725	1B9	1	20 - 5	R97348	1E3	4	30 - 7	T20298	1C14	5	20 - 31
R81275	1D22	4	30 - 2	R97349	1E3	12	30 - 7	T20310	1B20	10	20 - 15A
R81275	1D23	4	30 - 3	R97350	1E6	2	30 - 10	T20314	1B20	4	20 - 15A
R81989	1C4	13	20 - 22A	R97351	1C16	7	20 - 33	T20315	1B20	7	20 - 15A
R81989	1C12	4	20 - 29	R97352	1B24	1	20 - 18	T20316	1B20	3	20 - 15A
R82061	1E10	13	30 - 14	R97454	1C1	1	20 - 20	T20319	1C17	2	20 - 34
R82131	1E3	24	30 - 7	R97778	1B18	7	20 - 14	T20328	1B16	5	20 - 12
R82131	1E4	4	30 - 8	R97778	1B19	7	20 - 15	T20362	1C1	4	20 - 20
R82131	1E5	4	30 - 9	R97779	1B18	5	20 - 14	T21430	2D20	16	50 - 63
R82131	1E6	1	30 - 10	R97779	1B19	5	20 - 15	T21814	2E21	5	60 - 17
R82674	1B8	5	20 - 4	R99253	1C23	2	20 - 41	T21815	2E21	3	60 - 17
R82859	1E3	18	30 - 7	R99254	1C23	5	20 - 41	T21816	2E21	25	60 - 17
R82868	1B11	4	20 - 7	R99255	1C23	3	20 - 41	T22101	2E21	20	60 - 17
R83169	1C1	7	20 - 20	R99257	1C23	12	20 - 41	T23260	1B24	2	20 - 18
R83379	1C4	5	20 - 22A	R99259	1C23	4	20 - 41	T23266	1C2	6	20 - 21
R83379	1C8	11	20 - 25	R99260	1C19	16	20 - 37	T23435	1B8	15	20 - 4
R83379	1C10	11	20 - 27	S04790	4D8	9	120 - 53	T23442	1E8	6	30 - 12
R83380	1C2	1	20 - 21	TY15130	2K16	9	80 - 53	T23442	1E9	7	30 - 13
R83380	1C3	1	20 - 22	TY6240	2K16	11	80 - 53	T23474	1B8	11	20 - 4
R83380	1C4	2	20 - 22A	T124313	2H6	12	70 - 27	T23474	1B9	12	20 - 5
R83381	1C2	3	20 - 21	T12892	1G13	9	40 - 25	T24393	1E3	20	30 - 7
R83381	1C3	3	20 - 22	T12892	1H10	8	40 - 47	T24472	1E11	5	30 - 15
R83381	1C4	4	20 - 22A	T12958	2H21	22	70 - 42	T24472	1E12	5	30 - 16
R83555	1C16	6	20 - 33	T12958	2H22	6	70 - 43	T24527	2D16	15	50 - 59
R84984	1C1	17	20 - 20	T12966	2H21	13	70 - 42	T24652	4B25	10	120 - 19
R85363	1B17	1	20 - 13	T13119	2G15	4	70 - 11	T24945	1E3	5	30 - 7
R87627	1B18	2	20 - 14	T13119	2G17	7	70 - 13	T25484	1C19	8	20 - 37
R87627	1B19	2	20 - 15	T13201	1E8	11	30 - 12	T25485	1C19	7	20 - 37
R87631	1C15	2	20 - 32	T13201	1E9	3	30 - 13	T25922	2C22	16	50 - 41

1L16

4435 AND 4435 HYDRO COMBINES

NUMERICAL INDEX - CONTINUED

PART NO.	GRID	KEY	PAGE	PART NO.	GRID	KEY	PAGE	PART NO.	GRID	KEY	PAGE
T26321	1B22	10	20 - 17	Z10966	1F20	6	40 - 7	Z11577	4H25	2	130 - 51
T26321	1B23	9	20 - 17A	Z10971	2D10	1	50 - 53	Z11579	3F8	20	90 - 101
T26324	1B22	1	20 - 17	Z10994	4B19	5	120 - 13	Z11579	4F12	38	120 - 101
T26326	1B22	6	20 - 17	Z11013	2D24	5	50 - 67	Z11580	4B23	4	120 - 17
T26327	1B22	7	20 - 17	Z11065	4H11	24	130 - 37	Z11581	4B23	21	120 - 17
T26327	1B23	6	20 - 17A	Z11076	2I13	15	80 - 3	Z11582	4B23	18	120 - 17
T27260	3D2	29	90 - 45	Z11079	4H25	16	130 - 51	Z11583	4B23	17	120 - 17
T27624	2H25	10	70 - 46	Z11085	3G14	9	110 - 25	Z11585	2D12	5	50 - 55
T27624	2I1	6	70 - 47	Z11100	4B19	3	120 - 13	Z11586	2D10	7	50 - 53
T27658	1C1	8	20 - 20	Z11109	2G13	2	70 - 9	Z11591	2C24	6	50 - 43
T27860	1E6	4	30 - 10	Z11132	4B25	26	120 - 19	Z11595	2D16	39	50 - 59
T27986	1D22	5	30 - 2	Z11134	4B25	18	120 - 19	Z11597	2D16	9	50 - 59
T27986	1D23	5	30 - 3	Z11211	4G2	4	130 - 5	Z11605	2F3	5	60 - 25
T27986	1E14	17	30 - 19	Z11212	4G12	5	130 - 13	Z11609	2F3	14	60 - 25
T28583	1I24	16	40 - 83	Z11212	4G20	15	130 - 21	Z11613	2E12	13	60 - 7
T28583	1I24	21	40 - 83	Z11278	4C3	9	120 - 23	Z11620	2C22	1	50 - 41
T29394	2D20	9	50 - 63	Z11315	2D24	20	50 - 67	Z11624	4I8	5	130 - 59
T29676	1D22	3	30 - 2	Z11323	3C10	13	90 - 29	Z11625	4I8	2	130 - 59
T29969	1E10	8	30 - 14	Z11324	3C10	14	90 - 29	Z11626	2F7	12	60 - 29
T30199	1E3	3	30 - 7	Z11325	3C6	22	90 - 25	Z11653	4C7	1	120 - 27
T30818	1D25	4	30 - 5	Z11326	3E24	13	90 - 91	Z11661	4G18	27	130 - 19
T30819	1D23	6	30 - 3	Z11326	3E25	15	90 - 92	Z11661	4H9	24	130 - 35
T31174	1E11	2	30 - 15	Z11331	4B15	4	120 - 9	Z11664	4C5	3	120 - 25
T31174	1E12	2	30 - 16	Z11331	4C3	17	120 - 23	Z11670	2D4	7	50 - 47
T31306	1C23	6	20 - 41	Z11332	3E24	6	90 - 91	Z11671	2D10	18	50 - 53
T3142H	2D2	25	50 - 45	Z11335	4D4	17	120 - 49	Z11683	4I10	21	130 - 61
T32231	1J3	3	40 - 86	Z11337	4G10	22	130 - 11	Z11683	4I12	11	130 - 63
T32853	1F19	1	40 - 6	Z11338	4G10	24	130 - 11	Z11684	4I2	7	130 - 53
T37027	3E2	14	90 - 69	Z11355	4B25	21	120 - 19	Z11684	4I12	14	130 - 63
T37041	3E2	18	90 - 69	Z11362	2D22	1	50 - 65	Z11687	4G10	23	130 - 11
T46726	1E14	11	30 - 19	Z11406	4G6	2	130 - 7B	Z11690	4D6	8	120 - 51
T47806	2E2	13	50 - 69	Z11406	4G14	15	130 - 15	Z11691	4D14	11	120 - 59
T49189	2D4	8	50 - 47	Z11407	1D18	12	20 - 61	Z11692	4D17	3	120 - 62
T49189	2E19	4	60 - 15	Z11488	3F6	27	90 - 99	Z11693	4D14	23	120 - 59
T55501	1H20	8	40 - 57	Z11490	3E20	27	90 - 87	Z11694	4D14	17	120 - 59
T55585	1H20	41	40 - 57	Z11498	3F23	6	110 - 11	Z11695	4D17	6	120 - 62
T70659	1H14	35	40 - 51	Z11501	3G2	14	110 - 13	Z11696	4D4	22	120 - 49
T73757	1I8	6	40 - 69	Z11503	2I17	15	80 - 7	Z11699	4D6	11	120 - 51
T77814	2H6	11	70 - 27	Z11503	2I19	15	80 - 9	Z11699	4D14	10	120 - 59
U11017	2C22	14	50 - 41	Z11504	2I19	14	80 - 9	Z11706	2D18	6	50 - 61
U12547	2H24	24	70 - 45	Z11505	2I17	14	80 - 7	Z11748	2C8	1	50 - 27
U13639	1B9	2	20 - 5	Z11506	3G2	4	110 - 13	Z11749	2C10	11	50 - 29
U13639	1D3	6	20 - 46	Z11514	3F23	10	110 - 11	Z11788	2D18	25	50 - 61
U13639	2C18	8	50 - 37	Z11515	3F23	12	110 - 11	Z11791	2D24	1	50 - 67
Z10008	4C25	7	120 - 45	Z11517	3G10	28	110 - 21	Z11799	4E14	4	120 - 83
Z10117	4G12	29	130 - 13	Z11518	3G12	15	110 - 23	Z11800	4E14	8	120 - 83
Z10117	4G20	1	130 - 21	Z11519	3C8	6	90 - 27	Z11804	1D18	13	20 - 61
Z10201	3C6	40	90 - 25	Z11521	3G10	27	110 - 21	Z11805	2E2	16	50 - 69
Z10202	3C6	39	90 - 25	Z11522	3F8	9	90 - 101	Z11807	4D16	9	120 - 61
Z10207	3C6	13	90 - 25	Z11532	2D14	12	50 - 57	Z11807	4G10	9	130 - 11
Z10262	4F12	29	120 - 101	Z11533	2D14	10	50 - 57	Z11807	4G22	6	130 - 23
Z10398	4H25	28	130 - 51	Z11538	2D20	15	50 - 63	Z11814	2C10	9	50 - 29
Z10418	4D2	9	120 - 47	Z11539	2D20	2	50 - 63	Z11815	4H15	16	130 - 41
Z10634	4D2	10	120 - 47	Z11550	2D18	7	50 - 61	Z11821	4I10	2	130 - 61
Z10639	4D2	8	120 - 47	Z11551	2D18	9	50 - 61	Z11836	1G11	1	40 - 22
Z10669	4C9	10	120 - 29	Z11552	2D18	13	50 - 61	Z11838	1G11	3	40 - 22
Z10683	3G4	9	110 - 15	Z11553	2D18	27	50 - 61	Z11839	2D16	11	50 - 59
Z10775	3G2	17	110 - 13	Z11554	2D18	36	50 - 61	Z11849	2D16	18	50 - 59
Z10818	1D12	17	20 - 55	Z11556	2D18	10	50 - 61	Z11852	3F16	2	110 - 3
Z10847	3G2	13	110 - 13	Z11557	2D18	24	50 - 61	Z11852	4B10	2	120 - 3
Z10860	4F12	1	120 - 101	Z11562	4C13	2	120 - 33	Z11861	4H19	5	130 - 45
Z10864	1D12	2	20 - 55	Z11564	4F8	2	120 - 97	Z11862	4H19	15	130 - 45
Z10872	1D8	3	20 - 51	Z11571	4C5	4	120 - 25	Z11893	3G10	9	110 - 21
Z10904	1D18	5	20 - 61	Z11572	4C5	17	120 - 25	Z12156	4B25	5	120 - 19
Z10914	4C25	1	120 - 45	Z11573	4C5	1	120 - 25	Z12188	4C13	24	120 - 33
Z10941	2D22	4	50 - 65	Z11575	3G2	8	110 - 13	Z12189	3G22	1	110 - 33
Z10964	2D20	7	50 - 63	Z11576	3G14	8	110 - 25	Z12240	3G2	12	110 - 13

1L17

4435 AND 4435 HYDRO COMBINES

NUMERICAL INDEX - CONTINUED

PART NO.	GRID	KEY	PAGE	PART NO.	GRID	KEY	PAGE	PART NO.	GRID	KEY	PAGE
Z12244	4D8	1	120-53	Z20913	2117	41	80-7	Z23787	4F12	26	120-101
Z12278	1D18	17	20-61	Z20913	2119	36	80-9	Z23940	4C17	8	120-37
Z12285	4D8	4	120-53	Z20915	2117	17	80-7	Z24275	4B10	8	120-3
Z12286	4D8	6	120-53	Z20917	2117	13	80-7	Z24484	3C10	32	90-29
Z12329	4I12	11	130-63	Z20917	2119	13	80-9	Z24485	3C10	24	90-29
Z12334	2C22	1	50-41	Z21059	4G6	3	130-7B	Z24489	3G22	3	110-33
Z12345	3G14	8	110-25	Z21059	4G14	16	130-15	Z24489	4B19	21	120-13
Z12346	3G2	8	110-13	Z21157	3F16	3	110-3	Z24490	4D14	24	120-59
Z12348	2E12	13	60-7	Z21157	4B10	3	120-3	Z24492	3C10	25	90-29
Z12357	3F23	6	110-11	Z21160	1E19	9	30-25	Z24493	3C24	11	90-43
Z12358	2E10	10	60-5	Z21162	3E22	10	90-89	Z24581	4B25	22	120-19
Z12429	4F8	2	120-97	Z21232	1D12	9	20-55	Z24651	2G13	20	70-9
Z12431	4E14	4	120-83	Z21232	3F6	8	90-99	Z24651	3C6	32	90-25
Z12433	4I8	2	130-59	Z21238	1G19	8	40-31	Z24651	3G4	14	110-15
Z12466	3G2	12	110-13	Z21267	3E22	6	90-89	Z24651	4F6	24	120-95
Z12476	2I21	3	80-9B	Z21392	1D18	1	20-61	Z24651	4F8	6	120-97
Z12497	3F25	2	110-11B	Z21613	3C6	5	90-25	Z24800	1F18	25	40-5
Z12498	3F25	8	110-11B	Z21613	3C8	24	90-27	Z24862	3G4	13	110-15
Z12513	3G22	1	110-33	Z21613	3C10	9	90-29	Z24983	4E2	3	120-71
Z12513	3G22	35	110-33	Z21659	1E21	24	30-27	Z25462	2K10	10	80-47
Z12553	2I21	15	80-9B	Z21660	1E21	23	30-27	Z25554	3E20	19	90-87
Z20051	4E2	10	120-71	Z21661	1E21	22	30-27	Z25823	2I13	14	80-3
Z20051	4E4	10	120-73	Z21823	3C10	6	90-29	Z25894	4B17	11	120-11
Z20058	4B21	11	120-15	Z21827	3C6	17	90-25	Z25903	4F24	18	130-3
Z20058	4D25	8	120-69	Z21829	3C6	16	90-25	Z25904	4F24	17	130-3
Z20060	4D25	2	120-69	Z21833	3C10	7	90-29	Z26168	2I15	12	80-5
Z20084	4B17	4	120-11	Z21834	3C6	8	90-25	Z26239	2I13	9	80-3
Z20127	4E24	14	120-93	Z21834	3C8	10	90-27	Z26240	3E24	32	90-91
Z20154	4D10	10	120-55	Z21834	3C10	8	90-29	Z26240	3E25	17	90-92
Z20157	4F24	20	130-3	Z21841	2I13	29	80-3	Z26240	3G24	1	110-35
Z20170	4D4	4	120-49	Z21993	1E21	18	30-27	Z26240	4E18	8	120-87
Z20170	4D6	34	120-51	Z21993	1H12	12	40-49	Z26250	1D8	23	20-51
Z20198	4G2	7	130-5	Z22027	2117	43	80-7	Z26250	1F25	7	40-12
Z20198	4G18	35	130-19	Z22027	2119	40	80-9	Z26250	1G8	11	40-19
Z20277	2K10	2	80-47	Z22032	1D6	8	20-49	Z26250	1H4	9	40-41
Z20285	2J6	21	80-19	Z22032	3E22	14	90-89	Z26250	1H8	11	40-45
Z20285	3G24	13	110-35	Z22064	1I6	9	40-67	Z26250	1H14	23	40-51
Z20285	4G12	16	130-13	Z22064	2C4	3	50-23	Z26250	1H22	11	40-59
Z20285	4I6	6	130-57	Z22064	2D14	2	50-57	Z26250	1I2	20	40-63
Z20285	4I12	17	130-63	Z22064	3E10	3	90-77	Z26250	1I4	18	40-65
Z20307	4C15	5	120-35	Z22064	3E12	10	90-79	Z26250	1I12	13	40-73
Z20308	4C15	4	120-35	Z22069	1I6	6	40-67	Z26250	1I16	12	40-75
Z20367	2I17	18	80-7	Z22071	1I6	7	40-67	Z26250	1I18	18	40-77
Z20367	2I19	17	80-9	Z22110	4C7	12	120-27	Z26250	1J2	3	40-85
Z20367	3E22	16	90-89	Z22116	4C7	13	120-27	Z26250	2I23	3	80-11
Z20367	3F16	14	110-3	Z22294	4I2	13	130-53	Z26250	2J14	16	80-27
Z20367	4H7	3	130-32	Z22325	4F8	16	120-97	Z26250	2J22	12	80-35
Z20367	4H11	4	130-37	Z22335	4F24	8	130-3	Z26250	2K10	5	80-47
Z20443	4F24	6	130-3	Z22491	2E12	17	60-7	Z26250	3C8	29	90-27
Z20443	4I2	12	130-53	Z22560	1E21	14	30-27	Z26250	3C19	15	90-37
Z20523	4G6	18	130-7B	Z22560	1E22	9	30-28	Z26250	3D16	27	90-59
Z20579	4I12	6	130-63	Z22561	1E21	26	30-27	Z26250	3E15	4	90-82
Z20619	4G6	15	130-7B	Z22561	4H9	8	130-35	Z26250	3G24	15	110-35
Z20619	4G14	19	130-15	Z22561	4H11	28	130-37	Z26250	4D21	3	120-67
Z20627	4G6	5	130-7B	Z22572	3C6	36	90-25	Z26250	4D23	3	120-67B
Z20627	4G14	18	130-15	Z22572	4G18	18	130-19	Z26250	4F14	20	120-103
Z20653	2I13	28	80-3	Z22588	1G21	4	40-33	Z26250	4F16	11	120-105
Z20657	2I13	20	80-3	Z22588	1H24	10	40-61	Z26250	4G6	8	130-7B
Z20663	2J10	23	80-23	Z22621	4E6	2	120-75	Z26250	4G12	23	130-13
Z20665	2J10	24	80-23	Z22622	4E6	2	120-75	Z26250	4G14	27	130-15
Z20701	4E8	5	120-77	Z22701	4E2	18	120-71	Z26250	4H6	8	130-31
Z20701	4E10	8	120-79	Z22701	4E4	12	120-73	Z26250	4H7	7	130-32
Z20713	3F16	12	110-3	Z23294	4H4	5	130-29	Z26250	4H9	20	130-35
Z20822	3G10	3	110-21	Z23295	4H4	6	130-29	Z26250	4I4	24	130-55
Z20831	3G10	18	110-21	Z23366	4H23	14	130-49	Z26640	3G10	4	110-21
Z20912	2I17	12	80-7	Z23482	2E25	6	60-21	Z26641	3G10	5	110-21
Z20912	2I19	35	80-9	Z23695	3E12	13	90-79	Z26789	3C6	20	90-25

1L18

4435 AND 4435 HYDRO COMBINES

NUMERICAL INDEX - CONTINUED

PART NO.	GRID	KEY	PAGE	PART NO.	GRID	KEY	PAGE	PART NO.	GRID	KEY	PAGE
Z26789	3C10	20	90 - 29	Z30963	1J12	17	40 - 95	Z32787	3B14	8	90 - 8
Z26789	4F4	1	120 - 93D	Z30976	3C6	18	90 - 25	Z32841	2J12	1	80 - 25
Z26792	2H24	29	70 - 45	Z31009	4B21	8	120 - 15	Z32900	4H11	15	130 - 37
Z26822	1D14	2	20 - 57	Z31020	1E21	17	30 - 27	Z32900	4H23	5	130 - 49
Z26822	2C12	6	50 - 31	Z31187	3G2	18	110 - 13	Z32924	1D9	5	20 - 52
Z26822	2C14	8	50 - 33	Z31208	3C19	5	90 - 37	Z32960	2F17	12	60 - 39
Z26822	2G7	5	70 - 3	Z31348	2F11	24	60 - 33	Z32960	2F19	3	60 - 41
Z26822	2G9	6	70 - 5	Z31348	2F13	2	60 - 35	Z32961	2H2	20	70 - 23
Z26822	2H24	26	70 - 45	Z31349	2F11	18	60 - 33	Z32962	2H14	6	70 - 35
Z26822	2I4	9	70 - 51	Z31350	2F11	17	60 - 33	Z32963	2G19	10	70 - 15
Z26827	2H24	7	70 - 45	Z31353	2F11	13	60 - 33	Z32963	2H12	7	70 - 33
Z26828	2H24	5	70 - 45	Z31354	2F11	11	60 - 33	Z32965	2G19	12	70 - 15
Z26998	1I12	3	40 - 73	Z31356	2F11	10	60 - 33	Z32965	2G23	7	70 - 19
Z27186	3C6	35	90 - 25	Z31358	2F11	8	60 - 33	Z32965	2G25	7	70 - 21
Z27186	3C8	3	90 - 27	Z31359	2F11	1	60 - 33	Z32965	2H4	4	70 - 25
Z27187	3C6	34	90 - 25	Z31360	2F11	4	60 - 33	Z32969	2G19	8	70 - 15
Z27188	2E19	6	60 - 15	Z31363	2F11	5	60 - 33	Z32969	2H7	6	70 - 28
Z27188	3C6	1	90 - 25	Z31364	2F11	6	60 - 33	Z32971	2G23	10	70 - 19
Z27437	2F19	13	60 - 41	Z31371	1D8	6	20 - 51	Z32971	2H2	4	70 - 23
Z27446	2I19	14	80 - 9	Z31372	1D12	11	20 - 55	Z32971	2H4	2	70 - 25
Z27446	2I21	8	80 - 9B	Z31372	2D14	23	50 - 57	Z32972	2C12	10	50 - 31
Z27520	4D10	4	120 - 55	Z31372	3F6	17	90 - 99	Z32974	2F17	10	60 - 39
Z27522	2E10	6	60 - 5	Z31385	1D6	10	20 - 49	Z32974	2F19	5	60 - 41
Z27661	2D10	4	50 - 53	Z31452	2F11	19	60 - 33	Z32974	2H18	2	70 - 39
Z28162	4H23	1	130 - 49	Z31452	2F13	4	60 - 35	Z32975	2H16	7	70 - 37
Z28856	2E25	6	60 - 21	Z31453	2F11	23	60 - 33	Z32976	2H14	4	70 - 35
Z29066	2D16	7	50 - 59	Z31453	2F13	5	60 - 35	Z32977	2H14	8	70 - 35
Z29121	1D6	2	20 - 49	Z31454	2F11	22	60 - 33	Z32980	2H2	6	70 - 23
Z29162	3C10	11	90 - 29	Z31454	2F13	6	60 - 35	Z32985	2H4	17	70 - 25
Z29341	4B21	5	120 - 15	Z31455	2F11	15	60 - 33	Z32995	2F19	4	60 - 41
Z29408	4B21	9	120 - 15	Z31455	2F13	3	60 - 35	Z32998	2H14	10	70 - 35
Z29505	3B24	6	90 - 19	Z31456	2F11	21	60 - 33	Z33016	3F17	1	110 - 4
Z29634	3G2	15	110 - 13	Z31456	2F13	7	60 - 35	Z33018	1D8	25	20 - 51
Z29863	2I7	3	70 - 54	Z31529	4F10	15	120 - 99	Z33032	4E24	13	120 - 93
Z29864	2I7	4	70 - 54	Z31546	4I4	8	130 - 55	Z33070	1D9	4	20 - 52
Z29865	2I7	5	70 - 54	Z31547	4G24	4	130 - 25	Z33071	1D9	1	20 - 52
Z29873	3C13	22	90 - 33	Z31640	4C13	12	120 - 33	Z33073	1D8	32	20 - 51
Z29904	2I7	7	70 - 54	Z31799	1E21	16	30 - 27	Z33073	2C14	21	50 - 33
Z29925	1E15	4	30 - 21	Z31799	1E22	3	30 - 28	Z33076	1D9	12	20 - 52
Z29925	1E17	26	30 - 23	Z31799	3C2	25	90 - 21	Z33087	3E10	10	90 - 77
Z29939	3C10	41	90 - 29	Z31799	3C4	9	90 - 23	Z33087	3F4	10	90 - 97
Z29945	3C10	15	90 - 29	Z31799	3D16	25	90 - 59	Z33117	1D8	11	20 - 51
Z29946	3C10	19	90 - 29	Z31799	3E12	9	90 - 79	Z33245	4G24	2	130 - 25
Z29951	3C10	40	90 - 29	Z31799	3F2	9	90 - 95	Z33315	2J10	5	80 - 23
Z29953	3C10	21	90 - 29	Z32041	4F12	28	120 - 101	Z33316	2J10	6	80 - 23
Z29989	1E17	16	30 - 23	Z32041	4I21	1	150 - 5	Z33359	2J8	2	80 - 21
Z30137	3G4	2	110 - 15	Z32042	3F4	3	90 - 97	Z33379	4H11	17	130 - 37
Z30199	3B11	24	90 - 5	Z32144	3F19	15	110 - 7	Z33379	4H23	8	130 - 49
Z30245	3F17	3	110 - 4	Z32156	2G17	9	70 - 13	Z33397	4H23	16	130 - 49
Z30246	3F17	2	110 - 4	Z32165	1D8	2	20 - 51	Z33402	4F12	12	120 - 101
Z30284	4F18	17	120 - 107	Z32178	4K2	2	150 - 35	Z33404	4H25	27	130 - 51
Z30285	4F18	9	120 - 107	Z32190	1D12	15	20 - 55	Z33412	4G14	4	130 - 15
Z30340	1E17	22	30 - 23	Z32190	4I19	3	150 - 3	Z33415	4G14	2	130 - 15
Z30527	3F19	20	110 - 7	Z32264	4F10	17	120 - 99	Z33445	4G12	4	130 - 13
Z30548	3G18	14	110 - 29	Z32405	2D16	12	50 - 59	Z33475	4G6	21	130 - 7B
Z30552	3G22	9	110 - 33	Z32432	3F6	28	90 - 99	Z33527	4H21	17	130 - 47
Z30554	3G22	11	110 - 33	Z32500	4K2	6	150 - 35	Z33538	4I14	7	130 - 65
Z30603	2E25	19	60 - 21	Z32501	4K2	7	150 - 35	Z33619	2H2	14	70 - 23
Z30667	2F17	9	60 - 39	Z32610	2D10	5	50 - 53	Z33620	3G6	4	110 - 17
Z30667	2H2	7	70 - 23	Z32649	2F7	34	60 - 29	Z33631	2H20	4	70 - 41
Z30667	2H4	19	70 - 25	Z32672	2I19	12	80 - 9	Z33654	2E25	10	60 - 21
Z30667	2H14	13	70 - 35	Z32673	2I17	4	80 - 7	Z33659	3C6	28	90 - 25
Z30667	2H16	4	70 - 37	Z32683	2F19	8	60 - 41	Z33686	3C13	17	90 - 33
Z30668	2H4	8	70 - 25	Z32683	2H16	5	70 - 37	Z33696	3B9	2	90 - 3
Z30685	3C10	12	90 - 29	Z32683	2H18	5	70 - 39	Z33697	3B9	11	90 - 3
Z30769	4D14	3	120 - 59	Z32740	1E17	25	30 - 23	Z33720	4F18	5	120 - 107
Z30879	4C3	4	120 - 23	Z32741	1E17	23	30 - 23	Z33725	4F12	23	120 - 101

1L19

4435 AND 4435 HYDRO COMBINES

NUMERICAL INDEX - CONTINUED

PART NO.	GRID	KEY	PAGE	PART NO.	GRID	KEY	PAGE	PART NO.	GRID	KEY	PAGE
Z33726	4F18	14	120 - 107	Z34554	2J6	1	80 - 19	Z35321	3G14	17	110 - 25
Z33732	4F12	4	120 - 101	Z34557	2J6	4	80 - 19	Z35352	4E12	21	120 - 81
Z33744	2J10	2	80 - 23	Z34568	1I6	10	40 - 67	Z35406	4H11	1	130 - 37
Z33790	4C13	7	120 - 33	Z34568	3D25	23	90 - 67B	Z35415	2G19	2	70 - 15
Z33790	4I21	2	150 - 5	Z34568	3F2	6	90 - 95	Z35497	4B21	15	120 - 15
Z33797	4C9	2	120 - 29	Z34587	1F6	15	30 - 37	Z35497	4D25	9	120 - 69
Z33799	4C13	9	120 - 33	Z34588	3C17	13	90 - 35	Z35543	3C6	38	90 - 25
Z33827	2I14	3	80 - 4	Z34592	2J6	5	80 - 19	Z35544	3C6	37	90 - 25
Z33828	2I19	4	80 - 9	Z34592	2J8	5	80 - 21	Z35556	4F24	22	130 - 3
Z33829	2I17	6	80 - 7	Z34592	3B9	12	90 - 3	Z35560	4G6	1	130 - 7B
Z33832	2I17	2	80 - 7	Z34592	4G24	21	130 - 25	Z35592	1E21	21	30 - 27
Z33832	2I19	10	80 - 9	Z34611	2J18	1	80 - 31	Z35893	4H15	5	130 - 41
Z33839	2I17	3	80 - 7	Z34613	2J18	11	80 - 31	Z35893	4H17	13	130 - 43
Z33839	2I19	11	80 - 9	Z34615	2J18	15	80 - 31	Z35894	4H15	10	130 - 41
Z33840	2I19	9	80 - 9	Z34678	2D2	6	50 - 45	Z35894	4H17	12	130 - 43
Z33841	2I17	10	80 - 7	Z34679	2D2	8	50 - 45	Z35927	3G24	4	110 - 35
Z33842	2I19	8	80 - 9	Z34685	1D12	14	20 - 55	Z35956	4H21	13	130 - 47
Z33851	1D18	6	20 - 61	Z34692	2D2	9	50 - 45	Z35957	4H21	21	130 - 47
Z33854	1D8	26	20 - 51	Z34703	4B10	7	120 - 3	Z35997	4C23	2	120 - 43
Z33854	2C14	11	50 - 33	Z34705	4B10	6	120 - 3	Z36002	4H11	26	130 - 37
Z33924	4C23	4	120 - 43	Z34710	2D10	17	50 - 53	Z36022	3C6	12	90 - 25
Z33925	4C23	3	120 - 43	Z34718	2I15	4	80 - 5	Z36049	2G9	4	70 - 5
Z33933	4C17	2	120 - 37	Z34740	3G14	3	110 - 25	Z36049	2H24	27	70 - 45
Z33945	4C17	1	120 - 37	Z34740	3G18	2	110 - 29	Z36285	3G20	12	110 - 31
Z33976	4B17	3	120 - 11	Z34786	1D12	1	20 - 55	Z36287	3G20	14	110 - 31
Z33977	4B19	19	120 - 13	Z34786	4I19	2	150 - 3	Z36391	2J20	9	80 - 33
Z34077	2G7	9	70 - 3	Z34800	1F6	12	30 - 37	Z36391	2J22	19	80 - 35
Z34088	2D2	24	50 - 45	Z34801	1F6	10	30 - 37	Z36391	4G12	36	130 - 13
Z34089	2C20	4	50 - 39	Z34829	2G13	1	70 - 9	Z36392	4C11	6	120 - 31
Z34095	2C20	21	50 - 39	Z34828	4I24	1	150 - 8	Z36424	4C23	8	120 - 43
Z34097	2C20	2	50 - 39	Z34829	2G9	7	70 - 5	Z36429	4C23	9	120 - 43
Z34098	2C20	6	50 - 39	Z34829	3E2	16	90 - 69	Z36520	4D21	9	120 - 67
Z34099	2C20	10	50 - 39	Z34861	2H18	6	70 - 39	Z36520	4D23	6	120 - 67B
Z34099	4I23	2	150 - 7	Z34880	2J14	25	80 - 27	Z36521	4H9	3	130 - 35
Z34136	2J14	8	80 - 27	Z34887	2J14	23	80 - 27	Z36523	4C23	30	120 - 43
Z34136	2K10	8	80 - 47	Z34951	2H14	14	70 - 35	Z36531	4E24	12	120 - 93
Z34136	3B15	4	90 - 10	Z34952	2H4	21	70 - 25	Z36532	4C15	13	120 - 35
Z34167	1D16	5	20 - 59	Z34953	2H16	3	70 - 37	Z36573	3G8	15	110 - 19
Z34168	1D16	6	20 - 59	Z34954	2H14	15	70 - 35	Z36574	3G8	19	110 - 19
Z34179	1D16	7	20 - 59	Z34955	2F17	4	60 - 39	Z36576	3F6	25	90 - 99
Z34209	1D14	6	20 - 57	Z34955	2F19	9	60 - 41	Z36726	4B19	1	120 - 13
Z34211	1D14	3	20 - 57	Z34956	2H16	6	70 - 37	Z36727	4B19	14	120 - 13
Z34276	4G14	3	130 - 15	Z34957	2H4	25	70 - 25	Z36728	4B19	8	120 - 13
Z34294	4F24	9	130 - 3	Z34959	2H10	4	70 - 31	Z36729	4B19	9	120 - 13
Z34303	4F24	2	130 - 3	Z35052	3F23	1	110 - 11	Z36730	4B19	13	120 - 13
Z34340	4G4	5	130 - 7	Z35052	3G2	21	110 - 13	Z36731	4B19	12	120 - 13
Z34340	4G6	22	130 - 7B	Z35132	4C15	15	120 - 35	Z36742	2D24	3	50 - 67
Z34374	2J14	5	80 - 27	Z35135	4C15	29	120 - 35	Z36744	4G24	6	130 - 25
Z34375	2J14	6	80 - 27	Z35136	4C15	28	120 - 35	Z36749	2E21	11	60 - 17
Z34376	2D22	5	50 - 65	Z35138	2J6	8	80 - 19	Z36815	1E22	2	30 - 28
Z34377	2D22	5	50 - 65	Z35141	1D14	7	20 - 57	Z36819	1E21	13	30 - 27
Z34378	2D22	5	50 - 65	Z35149	3F16	1	110 - 3	Z36834	1E21	15	30 - 27
Z34380	2D22	21	50 - 65	Z35159	1D8	19	20 - 51	Z36838	4G6	11	130 - 7B
Z34398	2K10	11	80 - 47	Z35181	4B21	10	120 - 15	Z36862	4F12	31	120 - 101
Z34431	4C7	19	120 - 27	Z35205	2J6	9	80 - 19	Z36930	1E21	15	30 - 27
Z34432	4C9	5	120 - 29	Z35217	4E12	13	120 - 81	Z36939	1E17	27	30 - 23
Z34435	4C7	16	120 - 27	Z35241	4E10	2	120 - 79	Z36984	4C23	29	120 - 43
Z34438	4H11	16	130 - 37	Z35271	3F16	4	110 - 3	Z37171	1D8	35	20 - 51
Z34438	4H23	6	130 - 49	Z35271	4B10	13	120 - 3	Z37171	2C14	20	50 - 33
Z34446	3C6	21	90 - 25	Z35271	4E8	18	120 - 77	Z37194	1D8	28	20 - 51
Z34446	3C8	20	90 - 27	Z35313	4E8	16	120 - 77	Z37194	2C14	10	50 - 33
Z34467	4G24	9	130 - 25	Z35314	4E8	15	120 - 77	Z37304	2I14	7	80 - 4
Z34489	2D20	8	50 - 63	Z35314	4G20	13	130 - 21	Z37304	2I23	30	80 - 11
Z34506	2F7	8	60 - 29	Z35317	3G14	16	110 - 25	Z37304	3B9	17	90 - 3
Z34522	2J6	24	80 - 19	Z35317	3G18	13	110 - 29	Z37452	3D14	25	90 - 57
Z34523	2J6	2	80 - 19	Z35318	3G14	15	110 - 25	Z37461	2G23	2	70 - 19
Z34537	2J8	6	80 - 21	Z35318	3G18	12	110 - 29	Z37461	2I4	4	70 - 51

1L20

4435 AND 4435 HYDRO COMBINES

NUMERICAL INDEX - CONTINUED

PART NO.	GRID	KEY	PAGE	PART NO.	GRID	KEY	PAGE	PART NO.	GRID	KEY	PAGE
Z37478	4C1	3	120 - 20	Z38597	4I4	29	130 - 55	Z40651	3B13	20	90 - 7
Z37499	2C10	10	50 - 29	Z38618	1D18	11	20 - 61	Z40656	3C4	10	90 - 23
Z37511	4B23	12	120 - 17	Z38704	3F8	18	90 - 101	Z40671	1E22	10	30 - 28
Z37517	4B25	29	120 - 19	Z38704	4I25	2	150 - 9	Z40671	2D6	5	50 - 49
Z37519	4B25	23	120 - 19	Z38795	2D24	24	50 - 67	Z40671	2E25	15	60 - 21
Z37520	4B25	20	120 - 19	Z38798	2D24	24	50 - 67	Z40671	3D16	17	90 - 59
Z37521	4B25	11	120 - 19	Z38832	3F23	2	110 - 11	Z40677	2J24	4	80 - 37
Z37522	4B25	6	120 - 19	Z38832	3G2	19	110 - 13	Z40677	3B9	3	90 - 3
Z37524	4B25	9	120 - 19	Z38859	4F6	14	120 - 95	Z40680	2J18	12	80 - 31
Z37547	2C14	7	50 - 33	Z39035	4D25	12	120 - 69	Z40690	2J24	22	80 - 37
Z37619	1E21	13	30 - 27	Z39035	4D25	14	120 - 69	Z40695	1J10	5	40 - 93
Z37687	2G23	13	70 - 19	Z39038	4G24	27	130 - 25	Z40696	1J12	6	40 - 95
Z37714	2F5	8	60 - 27	Z39135	3G8	3	110 - 19	Z40722	2K4	5	80 - 41
Z37785	2I19	2	80 - 9	Z39136	4B25	37	120 - 19	Z40742	1J12	10	40 - 95
Z37786	2I17	8	80 - 7	Z39174	1H20	42	40 - 57	Z40745	3D10	3	90 - 53
Z37823	1E17	7	30 - 23	Z39185	2C12	2	50 - 31	Z40746	3D10	1	90 - 53
Z37824	1E17	8	30 - 23	Z39304	2J6	26	80 - 19	Z40751	3D10	2	90 - 53
Z37825	1E17	9	30 - 23	Z39355	2D22	18	50 - 65	Z40753	1J12	7	40 - 95
Z37826	1E17	10	30 - 23	Z39355	2E2	4	50 - 69	Z40754	1J12	2	40 - 95
Z37855	2D16	31	50 - 59	Z39369	3B24	2	90 - 19	Z40755	1J10	10	40 - 93
Z37898	2E2	17	50 - 69	Z39414	2E19	8	60 - 15	Z40756	1J12	24	40 - 95
Z37917	2J6	3	80 - 19	Z39415	2E21	2	60 - 17	Z40757	1J12	25	40 - 95
Z37924	2D22	23	50 - 65	Z39428	4E2	19	120 - 71	Z40760	3C2	9	90 - 21
Z37924	2E2	9	50 - 69	Z39428	4E4	11	120 - 73	Z40781	2J24	24	80 - 37
Z37932	2D24	22	50 - 67	Z39428	4E5	2	120 - 74	Z40787	4E2	4	120 - 71
Z37937	2D24	24	50 - 67	Z39560	2D22	15	50 - 65	Z40787	4E4	4	120 - 73
Z37938	2D24	24	50 - 67	Z39560	2E2	12	50 - 69	Z40801	2J24	26	80 - 37
Z37952	4G10	33	130 - 11	Z39561	2D22	22	50 - 65	Z40802	2J24	23	80 - 37
Z37952	4G14	13	130 - 15	Z39561	2E2	15	50 - 69	Z40803	2K2	1	80 - 39
Z37953	4G2	3	130 - 5	Z39562	2D22	16	50 - 65	Z40829	3C2	1	90 - 21
Z37972	4D2	31	120 - 47	Z39562	2E2	11	50 - 69	Z40843	3B11	10	90 - 5
Z38133	4B23	23	120 - 17	Z39569	3G22	31	110 - 33	Z40844	3B11	23	90 - 5
Z38133	4B25	38	120 - 19	Z39576	3G2	5	110 - 13	Z40846	3B11	13	90 - 5
Z38144	1D12	14	20 - 55	Z39668	1D8	21	20 - 51	Z40854	3B24	4	90 - 19
Z38186	3G22	2	110 - 33	Z39677	2D22	19	50 - 65	Z40862	1J12	3	40 - 95
Z38186	4I21	3	150 - 5	Z39717	1E14	4	30 - 19	Z40871	2D6	2	50 - 49
Z38269	4C19	10	120 - 39	Z39723	4C17	16	120 - 37	Z40871	2E25	7	60 - 21
Z38269	4C23	32	120 - 43	Z39723	4C23	33	120 - 43	Z40934	4D6	26	120 - 51
Z38274	4B12	30	120 - 5	Z39929	1D4	3	20 - 47	Z40936	4D6	25	120 - 51
Z38274	4I14	9	130 - 65	Z39931	1D4	5	20 - 47	Z40936	4H23	19	130 - 49
Z38293	4G10	25	130 - 11	Z40104	2H8	5	70 - 29	Z40938	2J24	15	80 - 37
Z38380	4E2	21	120 - 71	Z40172	2D18	14	50 - 61	Z40939	2J24	10	80 - 37
Z38380	4E4	18	120 - 73	Z40205	4E2	6	120 - 71	Z40970	2K4	25	80 - 41
Z38380	4I4	3	130 - 55	Z40205	4E4	6	120 - 73	Z40990	2D6	6	50 - 49
Z38381	2J16	1	80 - 29	Z40237	2J14	4	80 - 27	Z40992	2D6	4	50 - 49
Z38381	4F24	5	130 - 3	Z40239	2D24	15	50 - 67	Z41024	2K6	4	80 - 43
Z38395	4E2	8	120 - 71	Z40323	4G24	28	130 - 25	Z41025	2J24	27	80 - 37
Z38395	4E4	8	120 - 73	Z40342	4H9	6	130 - 35	Z41039	1D8	10	20 - 51
Z38395	4G10	30	130 - 11	Z40343	4H9	5	130 - 35	Z41039	1D9	3	20 - 52
Z38395	4G14	22	130 - 15	Z40344	4H9	4	130 - 35	Z41039	1I4	11	40 - 65
Z38395	4H17	3	130 - 43	Z40367	4H4	10	130 - 29	Z41039	2C14	15	50 - 33
Z38395	4H21	6	130 - 47	Z40368	4H4	9	130 - 29	Z41039	2I23	19	80 - 11
Z38395	4I2	8	130 - 53	Z40445	2I23	17	80 - 11	Z41039	2J4	28	80 - 17
Z38395	4I4	7	130 - 55	Z40446	2I23	1	80 - 11	Z41039	2J20	4	80 - 33
Z38395	4I10	18	130 - 61	Z40468	2K4	14	80 - 41	Z41039	2K12	3	80 - 49
Z38441	2J6	11	80 - 19	Z40496	2K4	18	80 - 41	Z41039	3E12	12	90 - 79
Z38442	4D4	10	120 - 49	Z40509	3B9	9	90 - 3	Z41039	3E15	5	90 - 82
Z38442	4D6	41	120 - 51	Z40538	3B13	23	90 - 7	Z41039	4D10	6	120 - 55
Z38459	1D9	2	20 - 52	Z40557	3C6	33	90 - 25	Z41039	4E16	4	120 - 85
Z38459	1H14	4	40 - 51	Z40562	4H9	16	130 - 35	Z41039	4E20	10	120 - 89
Z38459	1H24	7	40 - 61	Z40573	3C24	18	90 - 43	Z41039	4E24	1	120 - 93
Z38459	1I4	10	40 - 65	Z40589	4H2	5	130 - 27	Z41039	4F2	1	120 - 93B
Z38459	2C14	16	50 - 33	Z40592	3C24	16	90 - 43	Z41056	1E15	5	30 - 21
Z38459	4B10	12	120 - 3	Z40640	2K4	23	80 - 41	Z41097	4J12	5	150 - 21
Z38539	4I4	23	130 - 55	Z40640	2K8	25	80 - 45	Z41105	3E2	6	90 - 69
Z38539	4I6	4	130 - 57	Z40641	2K8	28	80 - 45	Z41128	3C2	8	90 - 21
Z38547	4I4	10	130 - 55	Z40650	3B13	21	90 - 7	Z41135	4K2	11	150 - 35

1L21

4435 AND 4435 HYDRO COMBINES

NUMERICAL INDEX - CONTINUED

PART NO.	GRID	KEY	PAGE	PART NO.	GRID	KEY	PAGE	PART NO.	GRID	KEY	PAGE
Z41210	4K2	9	150 - 35	Z41726	4G14	30	130 - 15	Z42619	4G8	8	130 - 9
Z41211	4K2	10	150 - 35	Z41811	2C4	2	50 - 23	Z42619	4G16	8	130 - 17
Z41300	3D2	10	90 - 45	Z41813	4B23	15	120 - 17	Z42646	4C15	20	120 - 35
Z41325	3D2	19	90 - 45	Z41837	4F6	30	120 - 95	Z42756	3E24	14	90 - 91
Z41328	3D2	3	90 - 45	Z41858	1F16	14	40 - 3	Z42756	4I24	4	150 - 8
Z41331	3D4	21	90 - 47	Z41861	1I2	14	40 - 63	Z42760	1I8	30	40 - 69
Z41333	3D10	5	90 - 53	Z41861	4E24	7	120 - 93	Z42764	1I4	1	40 - 65
Z41335	3D6	18	90 - 49	Z41861	4F2	8	120 - 93B	Z42773	1F16	4	40 - 3
Z41346	3D4	15	90 - 47	Z41887	3E22	9	90 - 89	Z42773	1I2	19	40 - 63
Z41352	3D4	16	90 - 47	Z41890	3E20	15	90 - 87	Z42773	1I12	11	40 - 73
Z41354	3D2	2	90 - 45	Z41891	3E15	8	90 - 82	Z42773	1I16	3	40 - 75
Z41355	3D4	17	90 - 47	Z41891	3E20	21	90 - 87	Z42773	2C12	20	50 - 31
Z41356	3D4	5	90 - 47	Z41897	3E22	7	90 - 89	Z42782	2H4	18	70 - 25
Z41358	3D2	32	90 - 45	Z41898	3E20	17	90 - 87	Z42792	3B15	9	90 - 10
Z41360	3D2	11	90 - 45	Z41900	3E20	14	90 - 87	Z42840	4D4	21	120 - 49
Z41361	3D4	19	90 - 47	Z41903	3E18	9	90 - 85	Z42840	4D6	28	120 - 51
Z41362	3D2	21	90 - 45	Z41915	3D6	10	90 - 49	Z42860	1G25	13	40 - 37
Z41363	3D2	13	90 - 45	Z41923	3E25	6	90 - 92	Z42876	4D21	4	120 - 67
Z41371	3D2	5	90 - 45	Z41924	3E24	11	90 - 91	Z42990	4D2	28	120 - 47
Z41375	3D6	7	90 - 49	Z41924	3E25	13	90 - 92	Z43042	4G18	17	130 - 19
Z41376	3D4	20	90 - 47	Z41925	3E24	23	90 - 91	Z43195	4I10	6	130 - 61
Z41377	3D6	21	90 - 49	Z41926	3E24	4	90 - 91	Z43295	3E15	9	90 - 82
Z41379	3D6	24	90 - 49	Z41926	3E25	4	90 - 92	Z43298	3C2	17	90 - 21
Z41380	3D4	22	90 - 47	Z41927	3E24	20	90 - 91	Z43320	1I2	10	40 - 63
Z41384	1J6	8	40 - 89	Z41927	3E25	9	90 - 92	Z43322	1I2	6	40 - 63
Z41385	3D4	12	90 - 47	Z41938	3B13	15	90 - 7	Z43323	1I2	9	40 - 63
Z41388	3D2	9	90 - 45	Z41942	3D16	21	90 - 59	Z43324	1I2	15	40 - 63
Z41390	1I24	19	40 - 83	Z41942	3E14	17	90 - 81	Z43327	1J10	25	40 - 93
Z41418	3D16	19	90 - 59	Z41943	3D16	21	90 - 59	Z43345	3B24	8	90 - 19
Z41514	2F7	9	60 - 29	Z41943	3E14	17	90 - 81	Z43346	3B24	9	90 - 19
Z41514	3B9	19	90 - 3	Z41944	3D16	21	90 - 59	Z43347	3B24	4	90 - 19
Z41542	3B13	14	90 - 7	Z41944	3E14	17	90 - 81	Z43398	2I23	16	80 - 11
Z41543	3B11	21	90 - 5	Z41945	3D16	20	90 - 59	Z43398	2J8	3	80 - 21
Z41546	3C10	5	90 - 29	Z41946	3E20	12	90 - 87	Z43398	2K12	6	80 - 49
Z41551	3D8	2	90 - 51	Z41952	3C17	9	90 - 35	Z43398	3E10	7	90 - 77
Z41552	3D8	5	90 - 51	Z41953	3D8	1	90 - 51	Z43472	4B17	8	120 - 11
Z41553	3D8	4	90 - 51	Z42023	4C5	7	120 - 25	Z43488	4C15	18	120 - 35
Z41554	3D8	3	90 - 51	Z42024	4C5	8	120 - 25	Z43489	4C15	17	120 - 35
Z41611	3B22	40	90 - 17	Z42026	4C5	12	120 - 25	Z43508	2G17	1	70 - 13
Z41613	3B22	34	90 - 17	Z42027	4C5	18	120 - 25	Z43510	2G17	16	70 - 13
Z41614	3B22	38	90 - 17	Z42029	4C5	14	120 - 25	Z43517	3E20	4	90 - 87
Z41615	3B20	3	90 - 15	Z42031	4C5	22	120 - 25	Z43527	2I17	9	80 - 7
Z41616	3B18	2	90 - 13	Z42032	4C5	21	120 - 25	Z43532	2I19	7	80 - 9
Z41617	3B18	8	90 - 13	Z42148	4C9	22	120 - 29	Z43547	2D2	20	50 - 45
Z41618	3B18	11	90 - 13	Z42193	2G19	13	70 - 15	Z43552	3G16	9	110 - 27
Z41619	3B18	17	90 - 13	Z42196	3D16	24	90 - 59	Z43582	3G24	12	110 - 35
Z41620	3B20	16	90 - 15	Z42223	3B13	19	90 - 7	Z43584	4E2	11	120 - 71
Z41621	3B18	6	90 - 13	Z42231	3C11	4	90 - 30	Z43622	4C13	23	120 - 33
Z41622	3B22	23	90 - 17	Z42233	3E18	11	90 - 85	Z43648	1J10	23	40 - 93
Z41624	3B20	19	90 - 15	Z42240	1H4	22	40 - 41	Z43651	3B9	13	90 - 3
Z41626	3B18	3	90 - 13	Z42240	1I12	8	40 - 73	Z43657	1I18	9	40 - 77
Z41630	3C2	22	90 - 21	Z42240	2J4	14	80 - 17	Z43658	1I18	11	40 - 77
Z41630	3D4	11	90 - 47	Z42245	1J2	9	40 - 85	Z43659	1I18	4	40 - 77
Z41631	1H12	9	40 - 49	Z42246	3C11	5	90 - 30	Z43660	1I16	5	40 - 75
Z41631	3C2	13	90 - 21	Z42263	4H25	25	130 - 51	Z43660	4K5	1	150 - 38
Z41631	3C4	11	90 - 23	Z42282	4G10	19	130 - 11	Z43744	2I23	7	80 - 11
Z41631	3D10	4	90 - 53	Z42383	2G13	3	70 - 9	Z43856	3F6	19	90 - 99
Z41631	3D12	7	90 - 55	Z42402	3E24	28	90 - 91	Z43859	3F6	24	90 - 99
Z41639	2E25	12	60 - 21	Z42403	3E22	8	90 - 89	Z43863	3F6	9	90 - 99
Z41646	3D6	9	90 - 49	Z42511	2G17	11	70 - 13	Z43863	4I25	1	150 - 9
Z41649	3D6	11	90 - 49	Z42551	4G10	18	130 - 11	Z43865	3E20	30	90 - 87
Z41650	1J6	5	40 - 89	Z42568	4D4	15	120 - 49	Z43884	3C8	21	90 - 27
Z41651	3D6	12	90 - 49	Z42591	1I8	2	40 - 69	Z43927	3F23	7	110 - 11
Z41652	3D2	20	90 - 45	Z42595	4K4	1	150 - 37	Z43931	3F23	11	110 - 11
Z41659	3D2	35	90 - 45	Z42597	1I8	13	40 - 69	Z43955	2I17	16	80 - 7
Z41660	3D2	36	90 - 45	Z42607	4B25	25	120 - 19	Z43955	2I19	16	80 - 9
Z41710	2H24	17	70 - 45	Z42619	3G6	14	110 - 17	Z43956	2I17	42	80 - 7

1L22

4435 AND 4435 HYDRO COMBINES

NUMERICAL INDEX - CONTINUED

PART NO.	GRID	KEY	PAGE	PART NO.	GRID	KEY	PAGE	PART NO.	GRID	KEY	PAGE
Z43992	4H7	1	130-32	Z44393	4K2	4	150-35	Z44770	2F17	3	60-39
Z44030	4G12	9	130-13	Z44421	1G2	2	40-15	Z44794	4B15	7	120-9
Z44030	4G18	21	130-19	Z44425	1F22	7	40-9	Z44797	3D12	8	90-55
Z44031	4H25	13	130-51	Z44450	1G8	9	40-19	Z44801	1E15	6	30-21
Z44032	4G12	39	130-13	Z44457	4H6	11	130-31	Z44802	1E19	10	30-25
Z44032	4G18	22	130-19	Z44466	3G12	10	110-23	Z44804	1E17	24	30-23
Z44056	1G2	5	40-15	Z44493	1E22	11	30-28	Z44805	1E15	2	30-21
Z44056	1H14	17	40-51	Z44497	1E17	1	30-23	Z44809	4B17	15	120-11
Z44056	1I20	8	40-79	Z44501	3G22	32	110-33	Z44810	4B17	9	120-11
Z44058	1I20	9	40-79	Z44511	3G4	8	110-15	Z44812	3G20	7	110-31
Z44059	1G2	27	40-15	Z44517	4H6	12	130-31	Z44813	3G20	5	110-31
Z44059	1H14	12	40-51	Z44523	1H14	16	40-51	Z44815	2H21	14	70-42
Z44059	1I20	20	40-79	Z44524	1G2	14	40-15	Z44817	3G20	6	110-31
Z44062	1G2	3	40-15	Z44525	1G2	6	40-15	Z44818	3G20	4	110-31
Z44062	1H14	10	40-51	Z44525	1H14	29	40-51	Z44819	2I4	14	70-51
Z44062	1I20	19	40-79	Z44525	1I20	22	40-79	Z44823	4C5	5	120-25
Z44100	4K2	12	150-35	Z44526	1G2	7	40-15	Z44824	4C5	16	120-25
Z44111	3G6	11	110-17	Z44526	1H14	28	40-51	Z44827	4C5	19	120-25
Z44115	3F6	14	90-99	Z44526	1I20	7	40-79	Z44828	4C5	20	120-25
Z44132	2G15	14	70-11	Z44527	1G2	4	40-15	Z44829	4C5	15	120-25
Z44134	2G15	23	70-11	Z44527	1H14	9	40-51	Z44832	4C5	11	120-25
Z44143	3G12	7	110-23	Z44527	1I20	16	40-79	Z44833	2I6	10	70-53
Z44146	3G10	8	110-21	Z44529	1H20	23	40-57	Z44834	2H12	9	70-33
Z44148	3G10	23	110-21	Z44572	1H22	3	40-59	Z44835	2I6	1	70-53
Z44150	3C8	16	90-27	Z44575	1H22	8	40-59	Z44835	3G24	16	110-35
Z44159	3C8	7	90-27	Z44576	1H20	38	40-57	Z44839	2I6	3	70-53
Z44164	3G10	13	110-21	Z44580	1G8	13	40-19	Z44844	3G2	9	110-13
Z44165	3G10	15	110-21	Z44580	1I20	1	40-79	Z44845	3G14	7	110-25
Z44166	3G10	14	110-21	Z44580	1I20	24	40-79	Z44846	3G8	5	110-19
Z44167	3G10	16	110-21	Z44581	1G8	14	40-19	Z44847	3G8	10	110-19
Z44168	3G12	17	110-23	Z44581	1I20	1	40-79	Z44851	3F21	6	110-9
Z44181	2F19	17	60-41	Z44581	1I20	25	40-79	Z44852	3G25	1	110-36
Z44189	3F8	8	90-101	Z44583	1G8	12	40-19	Z44853	3G25	2	110-36
Z44190	3F8	3	90-101	Z44593	1I2	23	40-63	Z44855	4H25	38	130-51
Z44212	4H25	10	130-51	Z44593	1I12	2	40-73	Z44857	4H25	40	130-51
Z44217	4G12	8	130-13	Z44598	1F24	5	40-11	Z44872	4C23	37	120-43
Z44218	4J12	2	150-21	Z44598	1G11	9	40-22	Z44873	4C19	7	120-39
Z44219	4B23	3	120-17	Z44598	1G13	6	40-25	Z44876	3B9	18	90-3
Z44220	2H2	8	70-23	Z44598	1G15	2	40-27	Z44877	3F8	16	90-101
Z44220	2H4	22	70-25	Z44598	1G18	10	40-30	Z44878	3F8	11	90-101
Z44227	3D2	1	90-45	Z44598	1G21	3	40-33	Z44881	4K2	8	150-35
Z44228	3D2	7	90-45	Z44598	1H5	3	40-42	Z44882	4K2	13	150-35
Z44229	3D2	4	90-45	Z44598	1H12	5	40-49	Z44883	4K2	14	150-35
Z44243	3G2	16	110-13	Z44598	1H14	36	40-51	Z44884	4K2	3	150-35
Z44244	4H6	1	130-31	Z44598	1H16	12	40-53	Z44888	1E24	18	30-31
Z44267	4G24	30	130-25	Z44598	1H20	35	40-57	Z44889	1E24	22	30-31
Z44269	3G4	4	110-15	Z44598	1H24	18	40-61	Z44915	1H4	13	40-41
Z44269	4D12	7	120-57	Z44598	1I6	4	40-67	Z44917	1E14	14	30-19
Z44272	2K13	5	80-50	Z44598	1I12	7	40-73	Z44931	3E14	18	90-81
Z44273	2K13	9	80-50	Z44598	1I22	4	40-81	Z44935	4B23	13	120-17
Z44275	1E24	12	30-31	Z44606	4C15	26	120-35	Z44936	4C5	2	120-25
Z44276	1E22	4	30-28	Z44614	2D18	12	50-61	Z44936	4I19	6	150-3
Z44278	1E22	8	30-28	Z44660	1F6	8	30-37	Z44937	4B23	10	120-17
Z44339	1G2	22	40-15	Z44660	3C19	3	90-37	Z44937	4B25	36	120-19
Z44339	1G9	1	40-20	Z44662	4H6	5	130-31	Z44981	4B25	27	120-19
Z44339	1G25	11	40-37	Z44663	4H6	7	130-31	Z44982	4B25	8	120-19
Z44339	1H14	24	40-51	Z44664	4H6	14	130-31	Z44983	4B25	35	120-19
Z44349	1H12	11	40-49	Z44689	1H2	31	40-39	Z45004	1J2	4	40-85
Z44373	2D14	4	50-57	Z44690	1H2	30	40-39	Z45008	3B14	1	90-8
Z44374	2D14	6	50-57	Z44700	4C13	13	120-33	Z45011	2J16	6	80-29
Z44375	2D14	28	50-57	Z44705	2C20	7	50-39	Z45026	4G22	17	130-23
Z44376	2D14	11	50-57	Z44714	4F6	11	120-95	Z45026	4I19	7	150-3
Z44377	2D14	24	50-57	Z44715	4F8	18	120-97	Z45037	2D20	1	50-63
Z44378	2D14	30	50-57	Z44722	2K6	14	80-43	Z45052	2E10	1	60-5
Z44379	2D14	31	50-57	Z44733	4D19	22	120-65	Z45054	2E12	4	60-7
Z44389	3C10	5	90-29	Z44761	4F8	1	120-97	Z45055	2E12	3	60-7
Z44392	4K2	1	150-35	Z44761	4I22	1	150-6	Z45056	2E12	5	60-7

1L23

4435 AND 4435 HYDRO COMBINES

NUMERICAL INDEX - CONTINUED

PART NO.	GRID	KEY	PAGE	PART NO.	GRID	KEY	PAGE	PART NO.	GRID	KEY	PAGE
Z45057	2E12	6	60 - 7	Z45954	1I8	19	40 - 69	Z46670	3C2	10	90 - 21
Z45059	2E12	8	60 - 7	Z45956	1H20	10	40 - 57	Z46673	4D19	9	120 - 65
Z45061	2E14	14	60 - 9	Z45957	1H20	7	40 - 57	Z46682	4I10	10	130 - 61
Z45088	2E10	8	60 - 5	Z45961	1H20	15	40 - 57	Z46684	4I10	9	130 - 61
Z45089	4D19	21	120 - 65	Z45975	4E8	19	120 - 77	Z46702	2C8	2	50 - 27
Z45100	2K6	11	80 - 43	Z45995	4B12	21	120 - 5	Z46704	2C8	3	50 - 27
Z45116	2F3	7	60 - 25	Z46049	2G9	5	70 - 5	Z46707	2C6	1	50 - 25
Z45117	2F3	17	60 - 25	Z46064	2F7	3	60 - 29	Z46708	2C6	4	50 - 25
Z45120	2F3	3	60 - 25	Z46070	4F6	31	120 - 95	Z46731	1G21	10	40 - 33
Z45139	2E2	7	50 - 69	Z46070	4F8	15	120 - 97	Z46753	3E15	3	90 - 82
Z45141	2E12	7	60 - 7	Z46088	2D4	16	50 - 47	Z46754	1D8	38	20 - 51
Z45144	2D16	6	50 - 59	Z46097	2D4	3	50 - 47	Z46755	3E16	4	90 - 83
Z45145	1G13	8	40 - 25	Z46098	2D5	7	50 - 48	Z46758	1E14	7	30 - 19
Z45149	2D20	3	50 - 63	Z46100	2G7	6	70 - 3	Z46759	3E8	1	90 - 75
Z45150	2D20	3	50 - 63	Z46100	2I4	10	70 - 51	Z46759	4I24	2	150 - 8
Z45151	2D20	3	50 - 63	Z46114	1H12	10	40 - 49	Z46760	1D10	1	20 - 53
Z45152	2D20	3	50 - 63	Z46122	1H10	7	40 - 47	Z46762	1D6	9	20 - 49
Z45163	3C10	43	90 - 29	Z46123	1H10	5	40 - 47	Z46763	1D6	11	20 - 49
Z45228	2D18	29	50 - 61	Z46125	2F7	27	60 - 29	Z46764	1D12	1	20 - 55
Z45233	3C6	29	90 - 25	Z46126	2F7	26	60 - 29	Z46764	4I19	2	150 - 3
Z45233	4H19	3	130 - 45	Z46129	2F7	39	60 - 29	Z46773	1D6	5	20 - 49
Z45251	4K2	5	150 - 35	Z46131	1E15	11	30 - 21	Z46774	1D6	6	20 - 49
Z45268	4J20	1	150 - 29	Z46136	1E19	10	30 - 25	Z46797	4J8	2	150 - 17
Z45269	4J12	3	150 - 21	Z46137	1E17	24	30 - 23	Z46797	4J10	2	150 - 19
Z45269	4J14	3	150 - 23	Z46138	1E15	6	30 - 21	Z46866	3D14	14	90 - 57
Z45277	2K8	29	80 - 45	Z46142	2I19	3	80 - 9	Z46937	4D10	11	120 - 55
Z45278	2K8	18	80 - 45	Z46143	2I17	5	80 - 7	Z46938	4K5	2	150 - 38
Z45287	2E16	4	60 - 11	Z46150	2F7	5	60 - 29	Z46941	1I8	15	40 - 69
Z45288	2E8	3	60 - 3	Z46157	3D12	2	90 - 55	Z46942	1I8	14	40 - 69
Z45289	2E8	3	60 - 3	Z46158	3D12	6	90 - 55	Z46943	1I8	1	40 - 69
Z45298	3E10	13	90 - 77	Z46167	2J12	3	80 - 25	Z46976	1G2	29	40 - 15
Z45298	3F4	13	90 - 97	Z46168	2K4	19	80 - 41	Z47026	3D16	6	90 - 59
Z45299	3E18	12	90 - 85	Z46254	4F6	13	120 - 95	Z47063	4J8	3	150 - 17
Z45306	2G23	11	70 - 19	Z46349	1H8	6	40 - 45	Z47063	4J10	3	150 - 19
Z45368	1I4	6	40 - 65	Z46350	1F6	23	30 - 37	Z47064	4J18	1	150 - 27
Z45400	3D12	10	90 - 55	Z46360	4D16	18	120 - 61	Z47067	4J8	4	150 - 17
Z45460	3D12	11	90 - 55	Z46365	4D14	14	120 - 59	Z47067	4J10	4	150 - 19
Z45461	4I4	27	130 - 55	Z46365	4I19	4	150 - 3	Z47068	4J10	4	150 - 19
Z45464	2D24	25	50 - 67	Z46366	4D16	20	120 - 61	Z47097	2D16	33	50 - 59
Z45479	3C2	23	90 - 21	Z46366	4I19	5	150 - 3	Z47210	2D4	11	50 - 47
Z45482	3E24	33	90 - 91	Z46367	4D17	8	120 - 62	Z47275	2K12	10	80 - 49
Z45482	4I24	5	150 - 8	Z46371	4D17	7	120 - 62	Z47275	2K12	14	80 - 49
Z45492	4B12	24	120 - 5	Z46372	4D14	19	120 - 59	Z47281	2K12	1	80 - 49
Z45493	4B12	25	120 - 5	Z46373	4D6	24	120 - 51	Z47396	4I10	3	130 - 61
Z45521	4B12	12	120 - 5	Z46373	4D16	2	120 - 61	Z47439	2D8	4	50 - 51
Z45534	4I10	13	130 - 61	Z46373	4G10	10	130 - 11	Z47443	3D4	1	90 - 47
Z45540	4I8	10	130 - 59	Z46373	4G22	13	130 - 23	Z47444	3D4	8	90 - 47
Z45548	4I12	15	130 - 63	Z46375	4D16	1	120 - 61	Z47445	3D18	7	90 - 61
Z45556	2F7	30	60 - 29	Z46375	4D16	1	120 - 61	Z47447	3D6	27	90 - 49
Z45558	2F7	16	60 - 29	Z46379	4D17	9	120 - 62	Z47447	3D6	16	90 - 49
Z45564	2F7	20	60 - 29	Z46382	4D19	17	120 - 65	Z47455	3D6	16	90 - 49
Z45564	2K8	22	80 - 45	Z46383	4D14	2	120 - 59	Z47456	3D23	9	90 - 67
Z45574	2F7	19	60 - 29	Z46384	4D4	8	120 - 49	Z47456	3D25	24	90 - 67B
Z45579	2F7	13	60 - 29	Z46384	4D6	39	120 - 51	Z47467	1I4	4	40 - 65
Z45731	2J12	11	80 - 25	Z46385	2J22	4	80 - 35	Z47469	2J24	3	80 - 37
Z45733	2J12	10	80 - 25	Z46386	4D6	23	120 - 51	Z47503	4I12	2	130 - 63
Z45760	3D21	9	90 - 65	Z46387	2H12	10	70 - 33	Z47507	1G8	6	40 - 19
Z45764	2F9	7	60 - 31	Z46387	2D18	11	50 - 61	Z47512	3D21	1	90 - 65
Z45767	2F7	7	60 - 29	Z46410	3D14	8	90 - 57	Z47512	3D21	8	90 - 65
Z45772	4D12	4	120 - 57	Z46433	3D14	9	90 - 57	Z47518	2H7	7	70 - 28
Z45773	4D12	9	120 - 57	Z46434	3D14	9	90 - 57	Z47519	2F21	10	60 - 43
Z45831	3D6	22	90 - 49	Z46435	3D14	10	90 - 57	Z47534	2I13	2	80 - 3
Z45838	3C6	15	90 - 25	Z46533	4D10	7	120 - 55	Z47540	1D16	4	20 - 59
Z45913	3B24	2	90 - 19	Z46538	4D12	10	120 - 57	Z47561	4H23	18	130 - 49
Z45952	1H20	32	40 - 57	Z46540	4D12	16	120 - 57	Z47562	4H23	15	130 - 49
Z45952	1I22	1	40 - 81	Z46543	4D10	9	120 - 55	Z47593	4J19	3	150 - 28
Z45954	1H20	6	40 - 57	Z46548	4D10	19	120 - 55	Z47606	2I23	20	80 - 11
				Z46661	3C15	2	90 - 33B	Z47635	2J4	5	80 - 17
				Z46667	3C15	5	90 - 33B	Z47636	2J4	6	80 - 17

1L24

4435 AND 4435 HYDRO COMBINES

NUMERICAL INDEX - CONTINUED

PART NO.	GRID	KEY	PAGE	PART NO.	GRID	KEY	PAGE	PART NO.	GRID	KEY	PAGE
Z47652	2J4	19	80 - 17	Z47968	4C17	7	120 - 37	Z51199	2F1	6	60 - 22
Z47653	2J4	21	80 - 17	Z47969	1I4	7	40 - 65	Z51200	1G18	6	40 - 30
Z47659	2J4	20	80 - 17	Z47973	4C17	12	120 - 37	Z51201	1H18	4	40 - 55
Z47691	4E24	11	120 - 93	Z47978	2G17	14	70 - 13	Z51204	4D16	24	120 - 61
Z47693	4E16	5	120 - 85	Z48002	4H13	8	130 - 39	Z51204	4H19	9	130 - 45
Z47694	4E16	2	120 - 85	Z48007	4G24	29	130 - 25	Z51207	4H19	23	130 - 45
Z47697	4E20	8	120 - 89	Z48022	2F21	3	60 - 43	Z51211	4H21	12	130 - 47
Z47705	4E20	7	120 - 89	Z48026	4J24	8	150 - 33	Z51212	4H19	14	130 - 45
Z47705	4E24	9	120 - 93	Z48029	4H15	15	130 - 41	Z51212	4I24	3	150 - 8
Z47710	4E24	8	120 - 93	Z48030	1E19	13	30 - 25	Z51213	4H19	21	130 - 45
Z47711	4E24	19	120 - 93	Z48036	3D12	5	90 - 55	Z51214	4H21	9	130 - 47
Z47715	4E8	11	120 - 77	Z48078	3D12	1	90 - 55	Z51218	4G24	3	130 - 25
Z47720	4E14	1	120 - 83	Z48079	2G11	12	70 - 7	Z51238	2F15	3	60 - 37
Z47725	4E8	2	120 - 77	Z48080	3D9	4	90 - 52	Z51239	2C12	11	50 - 31
Z47726	4E8	4	120 - 77	Z48082	4F16	2	120 - 105	Z51240	2F17	11	60 - 39
Z47737	4E10	3	120 - 79	Z48083	4F16	3	120 - 105	Z51240	2H18	3	70 - 39
Z47740	4E12	22	120 - 81	Z48084	2J14	23	80 - 27	Z51241	2H16	8	70 - 37
Z47756	4F16	18	120 - 105	Z48087	2G23	14	70 - 19	Z51243	4E12	15	120 - 81
Z47760	4F16	8	120 - 105	Z48103	4D21	1	120 - 67	Z51244	4E12	3	120 - 81
Z47763	4E14	2	120 - 83	Z48103	4D23	5	120 - 67B	Z51252	2F7	42	60 - 29
Z47763	4F8	3	120 - 97	Z48104	4C15	21	120 - 35	Z51254	4H25	4	130 - 51
Z47763	4I22	2	150 - 6	Z48105	2E14	10	60 - 9	Z51312	4G12	3	130 - 13
Z47766	4F10	12	120 - 99	Z48128	3D2	17	90 - 45	Z51461	3C19	1	90 - 37
Z47767	4F10	9	120 - 99	Z48129	3D18	1	90 - 61	Z51462	4J14	1	150 - 23
Z47769	4F10	5	120 - 99	Z48130	3D18	8	90 - 61	Z51517	4G22	9	130 - 23
Z47774	4E18	3	120 - 87	Z48131	3D2	16	90 - 45	Z51544	2J22	1	80 - 35
Z47775	4E18	4	120 - 87	Z48138	3D2	22	90 - 45	Z51545	2J22	2	80 - 35
Z47776	4E18	2	120 - 87	Z48140	3D18	5	90 - 61	Z51576	2G17	10	70 - 13
Z47777	4E18	5	120 - 87	Z48146	2C16	13	50 - 35	Z51579	3C13	7	90 - 33
Z47778	4E18	1	120 - 87	Z48160	3C22	5	90 - 41	Z51585	2F19	19	60 - 41
Z47779	4E18	6	120 - 87	Z48163	3C22	1	90 - 41	Z51601	4I6	12	130 - 57
Z47786	2F3	4	60 - 25	Z48175	1H20	9	40 - 57	Z51603	4I6	5	130 - 57
Z47787	2J24	6	80 - 37	Z48176	1I8	25	40 - 69	Z51604	4B25	32	120 - 19
Z47790	2I25	2	80 - 13	Z48177	1I8	27	40 - 69	Z51605	4B23	9	120 - 17
Z47790	2J10	26	80 - 23	Z48178	1I8	26	40 - 69	Z51633	2J4	7	80 - 17
Z47790	4D21	7	120 - 67	Z48179	1I8	22	40 - 69	Z51633	2J24	31	80 - 37
Z47790	4D23	7	120 - 67B	Z48180	1I8	23	40 - 69	Z51676	1G8	1	40 - 19
Z47791	4C15	3	120 - 35	Z48181	1H20	1	40 - 57	Z51681	4J16	2	150 - 25
Z47791	4C17	3	120 - 37	Z48183	1H20	2	40 - 57	Z51706	2H12	8	70 - 33
Z47801	3G4	12	110 - 15	Z48184	1H20	3	40 - 57	Z51757	2G23	17	70 - 19
Z47840	4D6	43	120 - 51	Z48185	1H20	5	40 - 57	Z51761	4C15	9	120 - 35
Z47840	4D16	12	120 - 61	Z48186	1H20	20	40 - 57	Z51762	3D16	31	90 - 59
Z47840	4G10	6	130 - 11	Z48187	1H20	19	40 - 57	Z51766	1J8	14	40 - 91
Z47840	4H19	1	130 - 45	Z48188	1H20	18	40 - 57	Z51767	1J8	4	40 - 91
Z47844	4G22	5	130 - 23	Z48190	1H20	16	40 - 57	Z51770	3C8	27	90 - 27
Z47846	2G13	12	70 - 9	Z48191	1I8	24	40 - 69	Z51771	4G10	34	130 - 11
Z47846	3E8	15	90 - 75	Z48192	1I8	28	40 - 69	Z51801	2I23	27	80 - 11
Z47861	4C19	6	120 - 39	Z48193	1I8	21	40 - 69	Z51801	2J4	23	80 - 17
Z47885	4G18	37	130 - 19	Z48214	1J2	10	40 - 85	Z51801	2K2	19	80 - 39
Z47891	2D16	36	50 - 59	Z48218	1I8	20	40 - 69	Z51801	4C3	15	120 - 23
Z47898	4G10	3	130 - 11	Z48236	2G17	15	70 - 13	Z51801	4C15	2	120 - 35
Z47908	4E24	10	120 - 93	Z48237	4E12	14	120 - 81	Z51801	4G24	36	130 - 25
Z47908	4F2	12	120 - 93B	Z48281	1G17	6	40 - 29	Z51810	2K2	12	80 - 39
Z47912	4D16	27	120 - 61	Z48287	4D10	8	120 - 55	Z51843	4D16	15	120 - 61
Z47912	4I19	8	150 - 3	Z48288	1I20	15	40 - 79	Z51843	4G10	7	130 - 11
Z47919	3E8	18	90 - 75	Z48300	2D16	5	50 - 59	Z51843	4H19	2	130 - 45
Z47923	2I23	12	80 - 11	Z48301	4J16	1	150 - 25	Z51898	1J8	16	40 - 91
Z47935	4H17	8	130 - 43	Z48304	1I20	3	40 - 79	Z51951	3F19	9	110 - 7
Z47937	4H11	7	130 - 37	Z48305	1I20	4	40 - 79	Z51952	3F19	5	110 - 7
Z47950	4H11	6	130 - 37	Z51007	1H22	13	40 - 59	Z51984	1H10	13	40 - 47
Z47951	4C21	4	120 - 41	Z51008	1H22	7	40 - 59	Z52002	2J4	24	80 - 17
Z47952	4C21	2	120 - 41	Z51021	4G20	19	130 - 21	Z52014	4D19	12	120 - 65
Z47953	4C21	3	120 - 41	Z51087	4E12	17	120 - 81	Z52035	2J4	25	80 - 17
Z47966	4C17	6	120 - 37	Z51091	2J4	26	80 - 17	Z52042	1H10	3	40 - 47
Z47966	4C17	15	120 - 37	Z51150	4D16	28	120 - 61	Z52070	4E2	5	120 - 71
Z47967	4C17	5	120 - 37	Z51197	2F1	7	60 - 22	Z52070	4E4	5	120 - 73
Z47967	4C21	14	120 - 41	Z51198	2F1	8	60 - 22	Z52074	1H24	4	40 - 61

1L25

4435 AND 4435 HYDRO COMBINES

NUMERICAL INDEX - CONTINUED

PART NO.	GRID	KEY	PAGE	PART NO.	GRID	KEY	PAGE	PART NO.	GRID	KEY	PAGE
Z52106	4E12	5	120 - 81	Z53128	2B22	21	50 - 17	Z53452	3G2	9	110 - 13
Z52316	2J10	4	80 - 23	Z53129	2C2	9	50 - 21	Z53453	3G14	7	110 - 25
Z52320	1G10	13	40 - 21	Z53130	2B9	6	50 - 3	Z53454	4E12	14	120 - 81
Z52328	1H4	18	40 - 41	Z53131	2B9	10	50 - 3	Z53455	4C17	1	120 - 37
Z52329	2I25	8	80 - 13	Z53132	2B13	17	50 - 7	Z53456	4C17	2	120 - 37
Z52330	2I25	4	80 - 13	Z53133	2B13	16	50 - 7	Z53463	4B10	8	120 - 3
Z52331	2I25	3	80 - 13	Z53134	2B13	21	50 - 7	Z53568	1G2	23	40 - 15
Z52344	2D16	4	50 - 59	Z53135	2B13	22	50 - 7	Z54001	2H4	11	70 - 25
Z52360	4G8	2	130 - 9	Z53137	2B15	5	50 - 9	Z54371	1H18	2	40 - 55
Z52360	4G16	5	130 - 17	Z53139	2B15	16	50 - 9	Z55606	4D10	7	120 - 55
Z52361	4G8	5	130 - 9	Z53140	2B22	16	50 - 17	Z55607	2J20	10	80 - 33
Z52361	4G16	4	130 - 17	Z53141	2B15	3	50 - 9	Z55607	2J22	17	80 - 35
Z52373	1H18	1	40 - 55	Z53144	2B15	8	50 - 9	Z55612	4F10	9	120 - 99
Z52374	4J10	1	150 - 19	Z53147	2B15	13	50 - 9	Z55620	4G8	2	130 - 9
Z52400	4J8	1	150 - 17	Z53148	2B19	4	50 - 13	Z55620	4G16	5	130 - 17
Z52401	4J14	5	150 - 23	Z53149	2B19	5	50 - 13	Z55621	4G8	5	130 - 9
Z52402	4J12	1	150 - 21	Z53150	2B19	10	50 - 13	Z55621	4G16	4	130 - 17
Z52403	1H20	30	40 - 57	Z53152	2B19	12	50 - 13	Z55637	4J12	5	150 - 21
Z52505	4I14	11	130 - 65	Z53155	2B17	6	50 - 11	Z55638	4K4	6	150 - 37
Z52537	4D16	29	120 - 61	Z53156	2B17	5	50 - 11	Z55642	4E14	1	120 - 83
Z52552	2E14	8	60 - 9	Z53157	2B17	2	50 - 11	Z55643	3G8	19	110 - 19
Z52553	2E14	15	60 - 9	Z53158	2B17	7	50 - 11	Z55645	4E14	2	120 - 83
Z52583	1H2	7	40 - 39	Z53159	2B17	8	50 - 11	Z55645	4F8	3	120 - 97
Z53003	4G24	8	130 - 25	Z53160	2B13	13	50 - 7	Z55645	4I22	2	150 - 6
Z53006	2C12	15	50 - 31	Z53163	4K4	3	150 - 37	Z55661	1I4	7	40 - 65
Z53006	2C16	7	50 - 35	Z53164	2J24	10	80 - 37	Z55661	4C17	15	120 - 37
Z53013	4I15	17	130 - 66	Z53166	4J14	2	150 - 23	Z55669	2K8	28	80 - 45
Z53014	4I15	7	130 - 66	Z53172	4G6	23	130 - 7B	Z56208	4E5	5	120 - 74
Z53026	4H19	20	130 - 45	Z53173	4G6	24	130 - 7B	Z56228	4F2	13	120 - 93B
Z53028	4H19	8	130 - 45	Z53174	2D10	26	50 - 53	Z56229	4F2	6	120 - 93B
Z53029	3D25	21	90 - 67B	Z53188	2B15	14	50 - 9	Z56236	4E24	2	120 - 93
Z53032	3D25	2	90 - 67B	Z53190	4E22	1	120 - 91	Z56236	4F2	2	120 - 93B
Z53033	3D25	4	90 - 67B	Z53191	4G4	3	130 - 7	Z56268	4G24	2	130 - 25
Z53034	1H2	23	40 - 39	Z53192	3G2	2	110 - 13	Z56490	4J14	2	150 - 23
Z53035	4C3	5	120 - 23	Z53193	3G2	1	110 - 13	Z56825	4E22	1	120 - 91
Z53037	1H2	15	40 - 39	Z53196	2B22	8	50 - 17	Z56828	4F2	11	120 - 93B
Z53063	1H20	24	40 - 57	Z53197	2B15	18	50 - 9	Z56843	4F2	10	120 - 93B
Z53065	1H24	11	40 - 61	Z53197	2C4	9	50 - 23	Z56844	4F2	9	120 - 93B
Z53066	1H20	44	40 - 57	Z53256	3F23	11	110 - 11	Z56851	4C17	5	120 - 37
Z53067	4K5	3	150 - 38	Z53264	3C24	10	90 - 43	Z56851	4C21	14	120 - 41
Z53068	1G19	3	40 - 31	Z53276	1D6	5	20 - 49	Z56853	2I21	4	80 - 9B
Z53069	1H4	4	40 - 41	Z53277	1D6	6	20 - 49	Z56856	4J12	1	150 - 21
Z53071	2J20	3	80 - 33	Z53287	4K4	5	150 - 37	Z56857	4J14	6	150 - 23
Z53072	2J20	8	80 - 33	Z53290	2C10	14	50 - 29	Z56898	3F25	6	110 - 11B
Z53073	2J20	10	80 - 33	Z53290	4I23	3	150 - 7	Z56899	3F25	7	110 - 11B
Z53073	2J22	17	80 - 35	Z53293	2K8	29	80 - 45	Z57707	3F25	4	110 - 11B
Z53077	4F10	8	120 - 99	Z53296	4D8	9	120 - 53	Z57708	3F25	5	110 - 11B
Z53086	2C16	12	50 - 35	Z53297	4D8	8	120 - 53	Z57718	4D8	8	120 - 53
Z53089	1E17	28	30 - 23	Z53298	4D8	3	120 - 53	Z57761	3F23	11	110 - 11
Z53112	3G2	3	110 - 13	Z53305	2C12	8	50 - 31	Z57784	1I8	1	40 - 69
Z53119	2B11	11	50 - 5	Z53306	2C12	9	50 - 31	Z57792	1I24	24	40 - 83
Z53119	2B22	11	50 - 17	Z53312	4J8	5	150 - 17	Z57808	4C21	20	120 - 41
Z53120	2B22	2	50 - 17	Z53312	4J10	5	150 - 19	Z57829	4E2	22	120 - 71
Z53121	2B11	7	50 - 5	Z53315	1H22	13	40 - 59	Z57829	4E4	19	120 - 73
Z53121	2B13	2	50 - 7	Z53354	2D20	8	50 - 63	Z699H	4D8	5	120 - 53
Z53121	2B22	6	50 - 17	Z53355	2G13	12	70 - 9	Z91612	4E6	1	120 - 75
Z53122	2B13	6	50 - 7	Z53355	3E8	15	90 - 75	Z9769H	4C9	20	120 - 29
Z53122	2B24	2	50 - 19	Z53356	4J14	6	150 - 23	124424	3F21	7	110 - 9
Z53123	2B13	8	50 - 7	Z53378	2C12	18	50 - 31	17047	1I18	5	40 - 77
Z53123	2B24	4	50 - 19	Z53379	2C12	14	50 - 31	288SE	3C15	22	90 - 33B
Z53124	2B13	12	50 - 7	Z53380	2C12	17	50 - 31	289SEL	2C14	3	50 - 33
Z53124	2B24	8	50 - 19	Z53381	4G24	35	130 - 25	290SE	4F6	10	120 - 95
Z53125	2B22	17	50 - 17	Z53385	2C12	16	50 - 31	32244	2G15	21	70 - 11
Z53126	2B22	22	50 - 17	Z53386	2C12	5	50 - 31	400R	2E21	4	60 - 17
Z53127	2B13	20	50 - 7	Z53399	4D21	4	120 - 67	405RH	2D16	17	50 - 59
Z53127	2B22	20	50 - 17	Z53399	4D23	2	120 - 67B				
Z53128	2B13	18	50 - 7	Z53418	2J24	29	80 - 37				